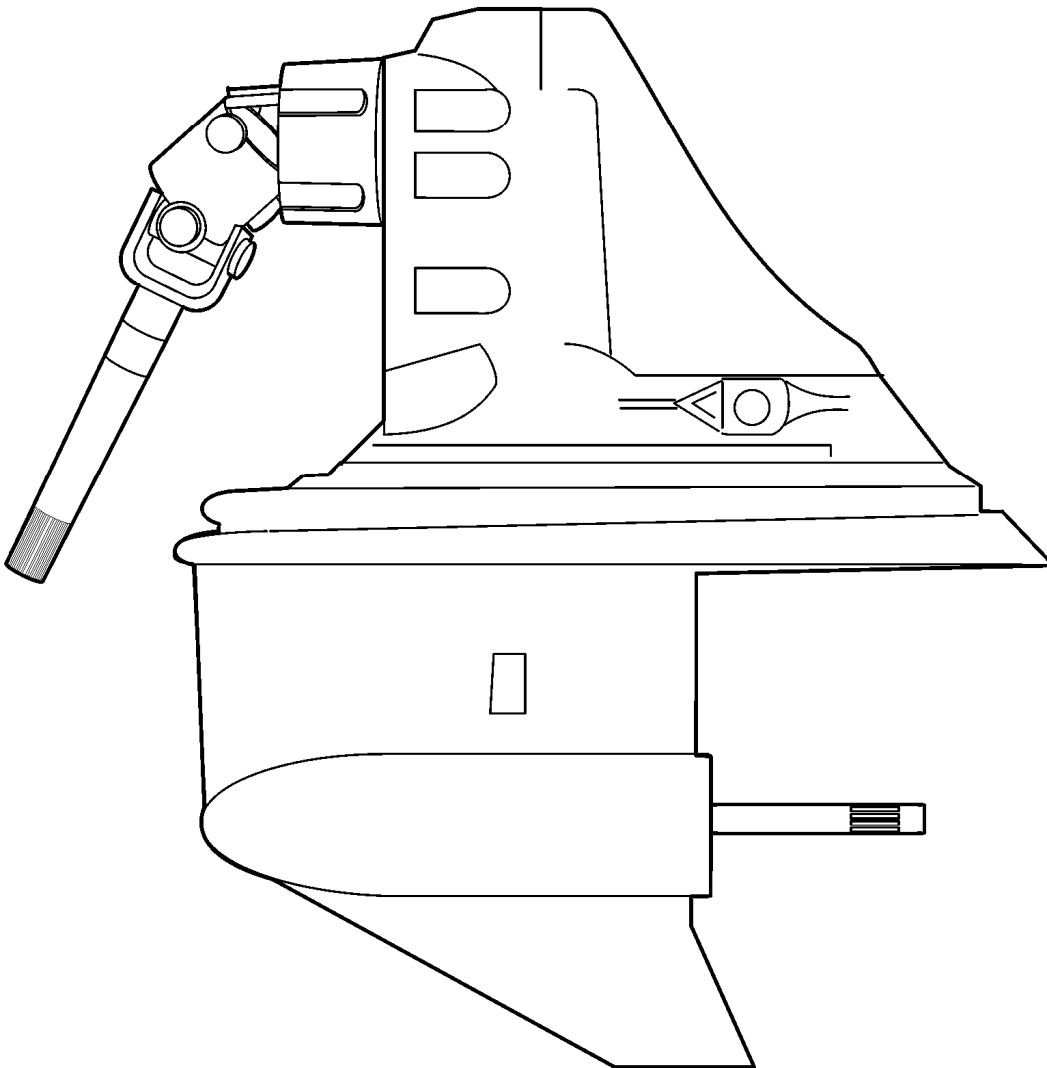


SX-S, SX-ST

①

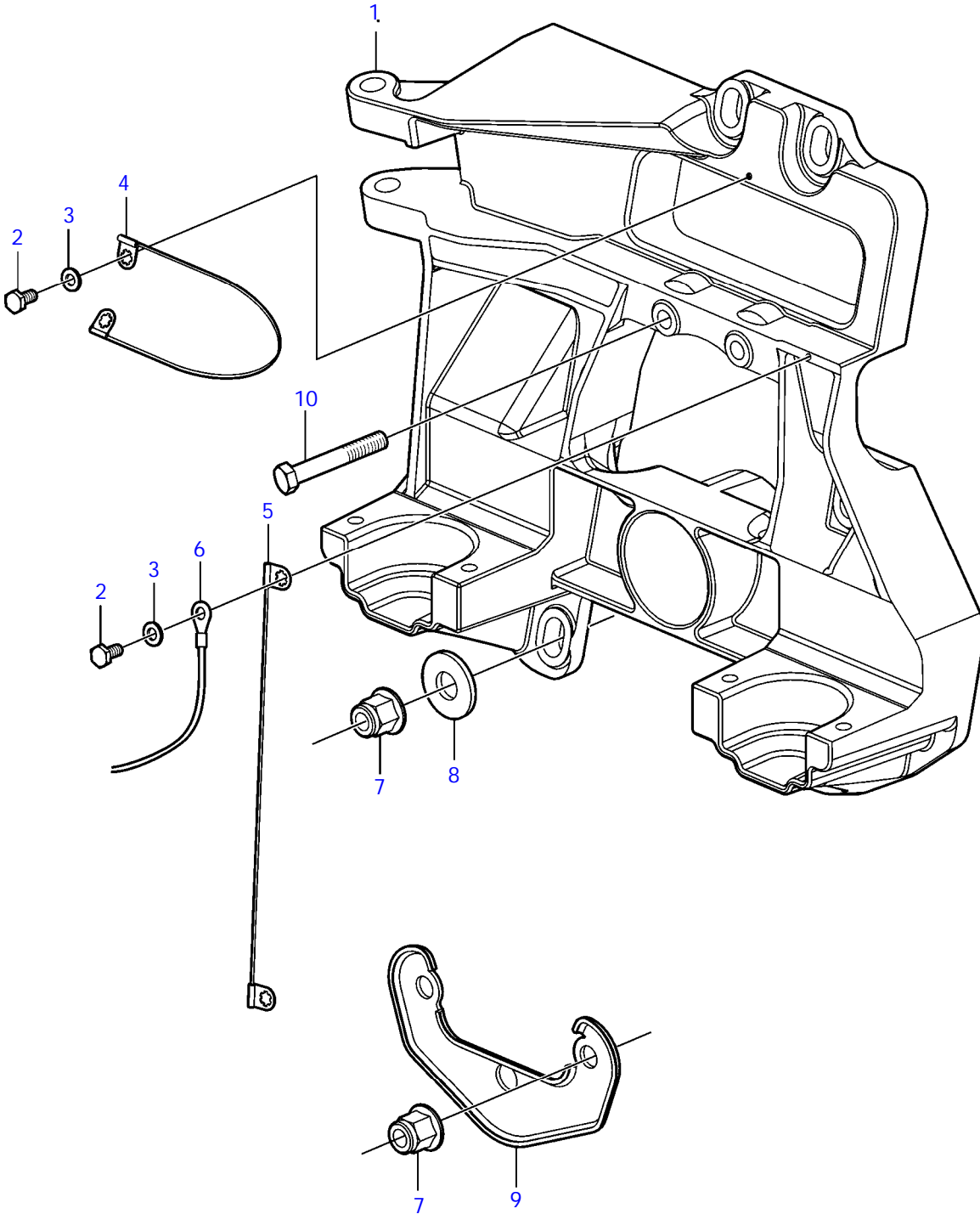


22822

<b>SX-S, SX-ST</b>
--------------------

REF	PART NO.	QTY	DESCRIPTION	NOTES
1	3868058	1	Drive	SX-S, 1.51:1
	3868068	1	Drive	SX-S, 1.60:1
	3868046	1	Drive	SX-ST, 1.66:1
	3868077	1	Drive	SX-S, 1.66:1
	3868035	1	Drive	SX-S, 1.85:1

SX-S, SX-SLT

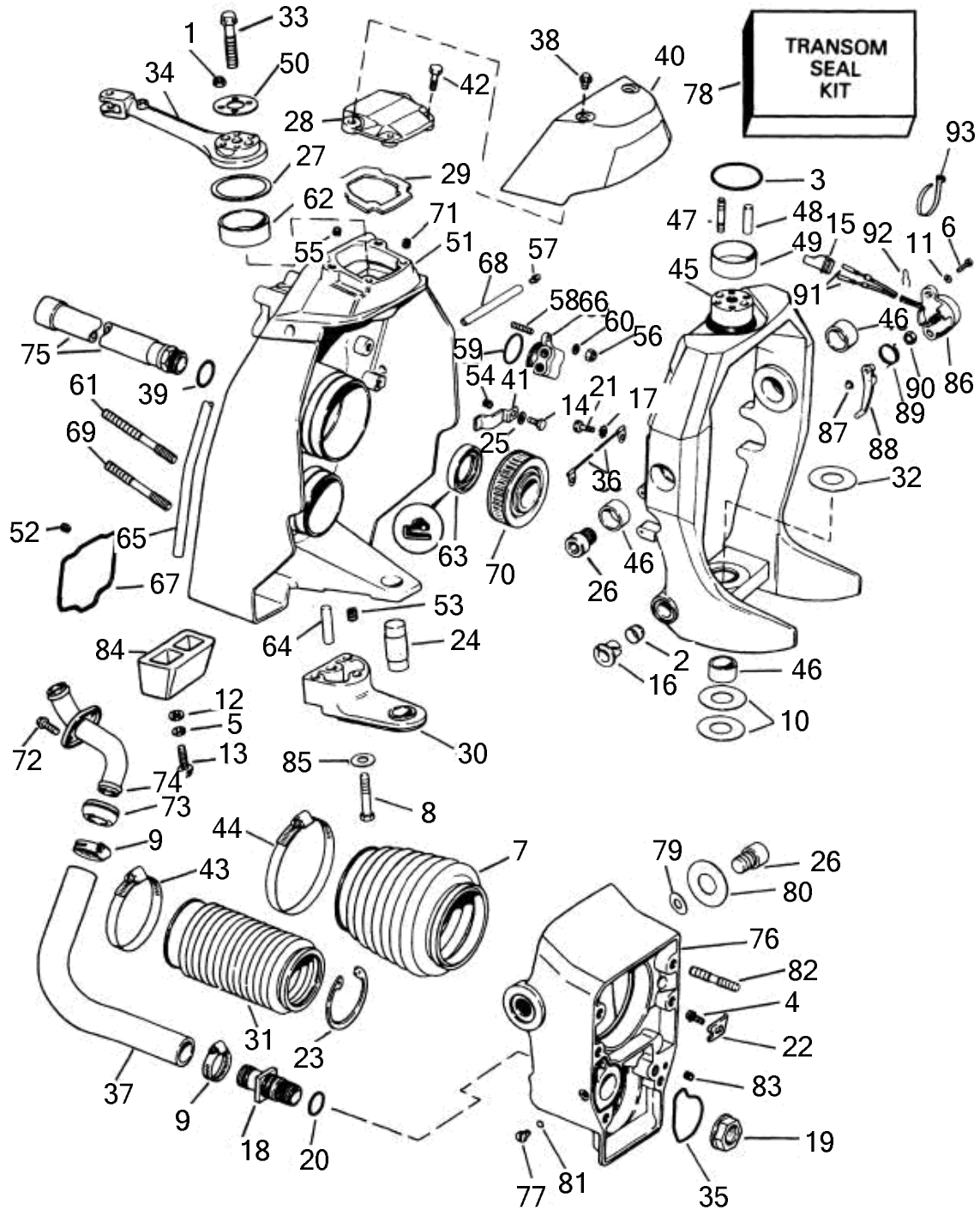


19633

SX-S, SX-SLT

REF	PART NO.	QTY	DESCRIPTION
1	3852381	1	Plate
2	3852050	2	Screw
3	3852193	2	Washer
4	3853929	2	Chassie ground cable
5	3853928	1	Chassie ground cable
6	3853927	1	Chassie ground cable
7	3853329	6	Nut
8	3852573	4	Washer
9	3852605	1	Bearing plate
10	3853547	2	Screw

SX-S, SX-SLT



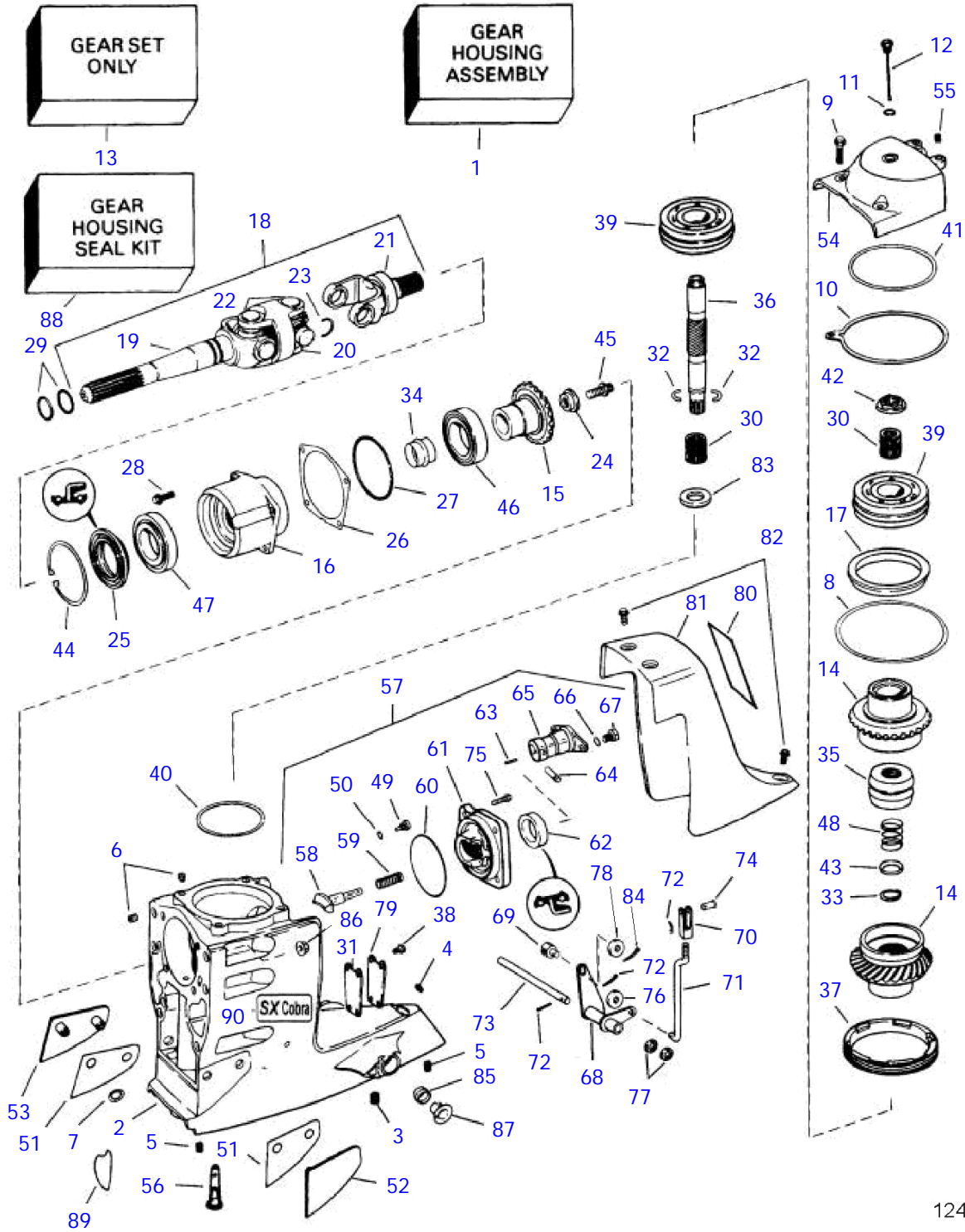
**SX-S, SX-SLT**

REF	PART NO.	QTY	DESCRIPTION	SEE SEC.	NOTES
1	3852004	4	Nut, Steering arm stud		
2	3853424	2	Grommet, Pivot pin		
3	3852044	1	O-ring, Upper gimbal		
4	3852006	1	Screw, Shift cable retainer		
5	3852061	2	Washer, Anode		
6	3852081	2	Screw, Trim sender		
7		1	Bellows, U-joint		replaced by next part number
	3841481	1	Bellows kit		clamp included
8	3852151	3	Hexagon screw, Support housing		
9	3852602	2	Hose clamp, Water hose		
10	3852557	2	Washer		
11	3852003	2	Washer, Trim sender		
12		2	Washer, Anode		
13	3852192	2	Hexagon screw, Anode		
14	3852201	2	Hexagon screw, Oil line retainer		
15	3853564	1	Connector, Sending unit		
16	3853423	2	Bushing, Pivot pin		
17	3852193	2	Washer, Ground strap		
18	3852533	1	Nipple, Water inlet		
19	3852534	1	Nut, Nipple		
20	3852535	1	O-ring, Nipple		Part of transom seal kit
21	3852050	2	Screw, Ground strap		
22	3852313	1	Retainer, Shift cable		
23	3852665	1	Retainer, Exhaust boot		
24	3852728	1	Shaft, Steering pivot		
25		2	Washer, Oil. line clamp		
26	3852316	2	Screw, Gimbal to pivot		
27	3852554	1	Washer, Steering arm		
28	3854577	1	Cover		
29	3852677	1	• Gasket, Cap		Part of transom seal kit
30	3852380	1	Bracket		
31	3850426	1	Bellows, Exhaust		
			• Bulletin P-44-1-20	P-44-1-20-EN	Exhaust Bellows, problems with aftermarket parts
32	3852557	1	Washer, Lower gimbal		
33	3852591	1	Screw, Steering arm		
34	3852379	1	Arm		
35	3852560	1	Sealing, Water passage		Part of transom seal kit
36	3853929	1	Chassie ground cable, Pivot housing		
37	3852352	1	Hose, Water inlet		
38	3852682	2	Screw, Cover		
39	3852537	1	O-ring, Sleeve & connector		Part of transom seal kit
40	3852415	1	Cover		
41		2	Clamp, Oil line		
42	3852473	2	Screw, Cap to gimbal		
43	3852603	1	Hose clamp, Exhaust		
44	3852604	1	Hose clamp, U-joint bellows		
45	3852416	1	Suspension fork		
46	3852544	3	• Bearing, Steering & tilt		Part of transom seal kit
47	3852588	4	• Stud		
48	3852545	2	• Dowel, Steering arm		
49	3852571	1	• Sleeve, Gimbal		
50	3852585	1	Plate, Steering arm		
51	3850714	1	Housing		
52	3852953	4	• Thread insert, Exhaust pipe		
53	3852515	3	• Insert, Steering support		
54	3852513	2	• Insert, Retainer		
55	3852567	2	• Insert, Steering cover		
56	3852005	1	• Nut, Manifold block		
57	3852121	1	• Fitting		
58	3852141	1	• Stud, Manifold block		
59	3852169	1	• O-ring, Manifold block 1T		Part of transom seal kit
60	3852193	1	• Washer, Manifold block		
61	3852546	4	• Stud, Transom, long		
62	3852547	1	• Bearing, Steering		Part of transom seal kit

**SX-S, SX-SLT**

REF	PART NO.	QTY	DESCRIPTION	SEE SEC.	NOTES
63	3852548	1	• Sealing, Driveshaft		Part of transom seal kit
64	3852549	1	• Pin, Steering support		
65	3852550	1	• Sealing, Transom		Part of transom seal kit
66	3852559	1	• Block		
67		1	• Sealing, Exhaust pipe		Part of transom seal kit
68	3852564	1	• Tube, Grease		
69	3852576	2	• Stud, Transom, short		
70	3853807	1	• Bearing, U joint		
71	3852526	2	• Insert		
72	3852454	2	• Screw, Water tube		
73	3852556	1	• Bushing, Water tube (1)		Part of transom seal kit
74	3853880	1	• Pipe		
75	3850694	1	Cable sleeve		
76	3850706	1	Housing		
77	3852536	1	• Plug, Water drain		
78	3854270	1	• Sealing kit		
79	3852697	2	• Washer, Gimbal to pivot hsg		Part of transom seal kit
80	3852558	2	• Washer, Pivot screw		
81	3852523	1	• O-ring, Plug 1a		Part of transom seal kit
82	3852551	6	• Stud, Pivot to gear hsg		
83	3852514	1	• Insert, Shift cable retainer		
84	3854130	1	Anode		
			• Bulletin P-44-1-1	P-44-1-1-EN	Anodes, SX AND DP-S
85	3852697	3	Washer, Steering support bracket		
86	3850470	1	Sensor		
87	3852232	1	• Retainer, Arm		
88	3852552	1	• Arm		
89	3852577	1	• Spring		
90	3852164	1	• Nut		
91		2	• Terminal, Socket		
92	3852555	1	Retainer, Trim sender lead		
93		2	Cable tie, Sender leads to oil line		

SX-S, SX-ST



12475



## SX-S, SX-ST

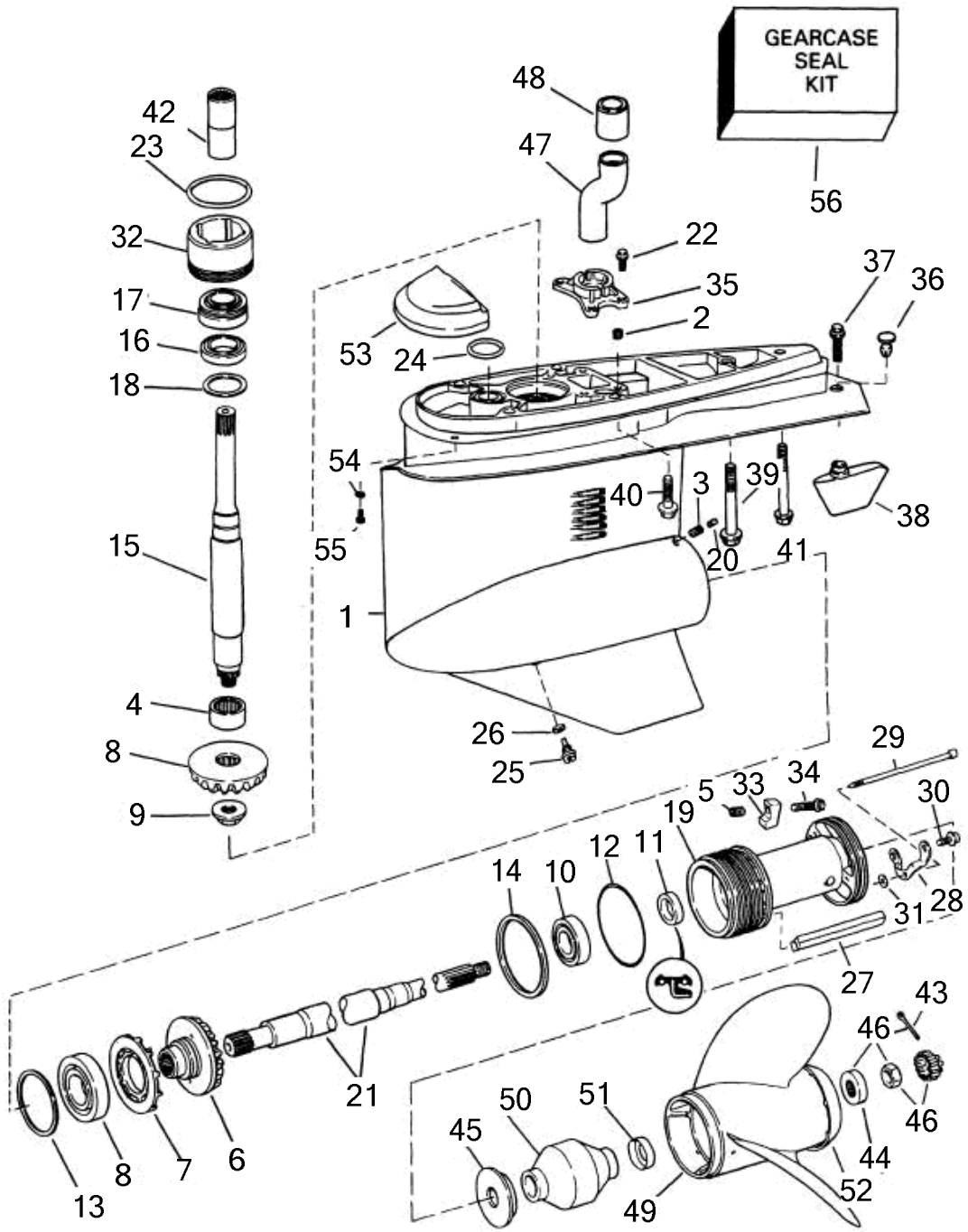
REF	PART NO.	QTY	DESCRIPTION	SEE SEC.	NOTES
1	3854378	1	Gear housing		
2	3854384	1	• Gear housing		
3	3852541	1	• • Insert		7/16" - 14 UNC
4	3852567	1	• • Insert		5/16" - 18UNC, Short
5	3852515	5	• • Insert		3/8" - 16 UNC
6	3852513	8	• • Insert		5/16" - 18UNC
7	3852516	4	• Ring, Thrust plate		
8	3852363	1	• Shim, Upper bearing, 0.002 in		
	3852364	1	• Shim, Upper bearing, 0.003 in		
	3852365	1	• Shim, Upper bearing, 0.004 in		
	3852366	1	• Shim, Upper bearing, 0.005 in		
	3852367	1	• Shim, Upper bearing, 0.010 in		
9	3850629	4	• Screw, Top cover		
10	3852317	1	• Gasket, Top cover		Contents of upper gear housing seal kit
11	3852045	1	• O-ring, Oil fill plug		Contents of upper gear housing seal kit
12	3852297	1	• Turn signal, Oil indicator		
13	3852396	1	• Drive gear set, Pinion & drive gears		replaced by next part number
	21130692	1	• Kit		contains gear set, sliding sleeve & shoe
14		2	• • Gear		
15		1	• • Pinion		
16	3852267	1	• Bearing, Pinion		
17	3852269	1	• Ring, Upper bearing support		
18	3852384	1	• Universal joint		
			• Bulletin P-44-1-5	P-44-1-5-EN	U-joints
19	3850815	1	• • Yoke		
20	3850813	1	• • Spacer		
21	3850814	1	• • Yoke		
22	3850812	2	• • Spider		
23		4	• • Locking clip, U-joint		
24	3852310	1	• Washer, Pinion gear		
25	3852272	1	• Sealing, U joint to bearing carrier		Contents of upper gear housing seal kit
26	3852355	1	• Shim, Bearing carrier, 0.003 in		
	3852356	1	• Adjusting washer, Bearing carrier, 0.004 in		
	3852357	1	• Adjusting washer, Bearing carrier, 0.005 in		
	3852358	1	• Adjusting washer, Bearing carrier, 0.010 in		
27	3852308	1	• O-ring, Bearing carrier		Contents of upper gear housing seal kit
28	3852454	4	• Screw, Bearing carrier		
29	3852565	2	• O-ring, U joint		
30	3852390	2	• Bearing, Drive gear		
31	3852279	1	• Gasket, Water passage		Contents of upper gear housing seal kit
32	3852295	1	• Locking clip, Upper driveshaft		
33	3852299	1	• Snap ring, Spring		
34	3852304	1	• Sleeve, Pretension		
35	3852293	1	• Sliding sleeve		
			• Bulletin P-44-1-8	P-44-1-8-EN	Shift mechanism, shift cone and shoe
			• Bulletin P-44-1-18	P-44-1-18-EN	Shift Cone
36	3852292	1	• Spindle, Upper		
37	3852262	1	• Ring, Bearing retainer		
38	3852373	4	• Screw, Water passage		
39	3852389	2	• Bearing, Drive gear		
40	3852368	1	• Shim, Lower bearing, 0.002 in		
	3852369	1	• Shim, Lower bearing, 0.003 in		
	3852370	1	• Shim, Lower bearing, 0.004 in		
	3852371	1	• Shim, Lower bearing, 0.005 in		
	3852372	1	• Shim, Lower bearing, 0.010 in		
41	3852368	1	• Shim, Upper cover, 0.002 in		
	3852369	1	• Shim, Upper cover, 0.003 in		

## SX-S, SX-ST

REF	PART NO.	QTY	DESCRIPTION	SEE SEC.	NOTES
	3852370	1	• Shim, U er cover, 0.004 in		
	3852371	1	• Shim, Upper cover, 0.005 in		
	3852372	1	• Shim, Upper cover, 0.010 in		
42	3852301	1	• Nut, Upper driveshaft, 0.000 in		
	3852302	1	• Nut, Upper driveshaft, 0.008 in		
	3852303	1	• Nut, Upper driveshaft, 0.016 in		
	3852375	1	• Nut, Upper driveshaft, 0.024 in		
43	3852298	1	• Spacer, Spring		
44	3852307	1	• Lock ring, Seal		
45	3852309	1	• Screw, Pinion gear retainer		
46	3850852	1	• Bearing, Pinion to inner carrier		
47	3850853	1	• Bearing, Pinion to outer carrier		
48	3852296	1	• Spring, Clutch cone to shaft		
49	3854539	1	• Plug, Oil plug		
50	3855081	1	• O-ring, Oil plug		Contents of upper gear housing seal kit
51	3852563	2	• Adjusting washer, Thrust plate, 0.015 in		
52	3852561	1	• Pressure plate, Thrust, port		
53	3852562	1	• Pressure plate, Thrust, starboard		
54	3854401	1	• Bearing cover, Upper gear unit		
55	3852513	2	• • Insert, Threaded, 5/16-18		
56	3854021	1	• Strainer, Oil sump		
57	3852410	1	• Shift mechanism		
58	839646	1	• • Dog		
59	814184	1	• • Spring, Shift shoe		
60	925093	1	• • O-ring, Shift actuator		Contents of upper gear housing seal kit
61	839505	1	• • Bearing housing		
62	853868	1	• • Sealing ring		Contents of upper gear housing seal kit
63	951924	1	• • Spring pin		
64	942871	1	• • Clevis pin		
65	897816	1	• • Eccentric piston		
			• Bulletin P-44-1-7	P-44-1-7-EN	Shift mechanism, eccentric piston
66	897871	4	• • Shim, Shift shoe		
67	897711	1	• • Screw, Shift shoe stop		
68	3852276	1	• Bracket, Shift		
69	3852329	1	• Cube, Cable to bellcrank		
70	3852328	1	• Fork, Shift link		
71	3852278	1	• Link, Bellcrank to piston		
72	3854480	3	• Split pin		
73	3852277	1	• Bar, Bellcrank		
74	3852330	1	• Clevis pin, Shift link to piston		
75	3852353	4	• Screw, Shift housing		
76	3852184	1	• Washer, Shift		
77	3852193	2	• Washer, Bellcrank		
78	3852083	2	• Washer, Shift link		
79	3852280	1	• Plate, Waterpassage		
80	3851023	1	Decal		3.0GL
	3851024	1	Decal		3.0GS
	3851025	1	Decal		4.3GL
	3851026	1	Decal		4.3GS
	3851027	1	Decal		5.0FL
	3851028	1	Decal		5.0Fi
	3851029	1	Decal		5.7GL
	3851030	1	Decal		5.8FL
	3851031	1	Decal		5.8Fi
81	3852418	1	Cover, Shift mechanism		
82	3852568	3	Screw, Cover		
83	3852294	1	Ring, Spacer		
84	3854480	1	Split pin, Shift cable		
85	3853424	2	Grommet		
86	3853329	6	Nut, Drive to pivot housing		
87	3853423	2	Bushing		
88	3850594	1	Kit		



SX-S, SX-ST



## SX-S, SX-ST

REF	PART NO.	QTY	DESCRIPTION	SEE SEC.	NOTES
1	3854379	1	Gear housing		1.85:1
	3854380	1	Gear housing		1.66:1
	3854381	1	Gear housing		1.60:1
	3854382	1	Gear housing		1.51:1
	3854385	1	• Gear housing		
2	3852513	4	• • Insert		5/16" - 18UNC
3	3852567	1	• • Insert		5/16" - 18UNC, Short
4	3853934	1	• • Bearing, Pinion		
5	3852515	1	• • Insert, Prop shaft retainer		
6	3852405	1	• Drive gear set		1.85:1
	3852404	1	• Drive gear set		1.66:1
	3852403	1	• Drive gear set		1.60:1
	3852402	1	• Drive gear set		1.51:1
7	3853941	1	• Rotor		
8	3850942	1	• Bearing, Gear to gearcase		
9	3851003	1	• Nut, Pinion to driveshaft		
10	3854249	1	• Roller bearing, Prop shaft housing		
11	3853474	1	• Seal, Prop shaft housing		Contents of Lower Gearcase Seal Kit
12	3852865	1	• O-ring, Propeller shaft hsg		Contents of Lower Gearcase Seal Kit
13	3850695	1	• Shim, Gear position, 0.002 in		
	3852886	1	• Shim, Gear position, 0.003 in		
	3852885	1	• Shim, Gear position, 0.004 in		
	3852887	1	• Shim, Gear position, 0.005 in		
	3852888	1	• Shim, Gear position, 0.010 in		
14	3852881	1	• Ring, Shim, prop shaft hsg, 0.096"		
	3852882	1	• Ring, Shim, prop shaft hsg., 0.098"		
	3852868	1	• Ring, Shim, prop shaft hsg., 0.100"		
	3852869	1	• Ring, Shim, prop shaft hsg., 0.102"		
	3852870	1	• Ring, Shim, prop shaft hsg., 0.104"		
	3852871	1	• Ring, Shim, prop shaft hsg., 0.106"		
	3852872	1	• Ring, Shim, prop shaft hsg., 0.108"		
	3852873	1	• Ring, Shim, prop shaft hsg., 0.110"		
	3852874	1	• Ring, Shim, prop shaft hsg., 0.112"		
	3852875	1	• Ring, Shim, prop shaft hsg., 0.114"		
	3852876	1	• Ring, Shim, prop shaft hsg., 0.116"		
	3852877	1	• Ring, Shim, prop shaft hsg., 0.118"		
	3852878	1	• Ring, Shim, prop shaft hsg., 0.120"		
	3852879	1	• Ring, Shim, prop shaft hsg., 0.122"		
	3852880	1	• Ring, Shim, prop shaft hsg., 0.124"		
15	3852337	1	• Countershaft, Lower		
16	3854249	1	• Roller bearing, Driveshaftl lower		
17	3854250	1	• Roller bearing, Driveshaftl upper		
18	3852889	1	• Shim, Pinion position, 0.003 in		
	3852890	1	• Shim, Pinion position, 0.004 in		
	3852891	1	• Shim, Pinion position, 0.005 in		
	3852892	1	• Shim, Pinion position, 0.010 in		
19	3853492	1	• Housing, Propeller shaft		
20	3853272	1	• Screw, Prop shaft housing		
21	3852271	1	• Propeller shaft		
22	3852454	4	• Screw, Guide & seal		
23	3852866	1	• O-ring, Support housing		Contents of Lower Gearcase Seal Kit
24	3852959	1	• O-ring, Oil passage		Contents of Lower Gearcase Seal Kit
25	3854539	1	• Plug, Gearcase plug		

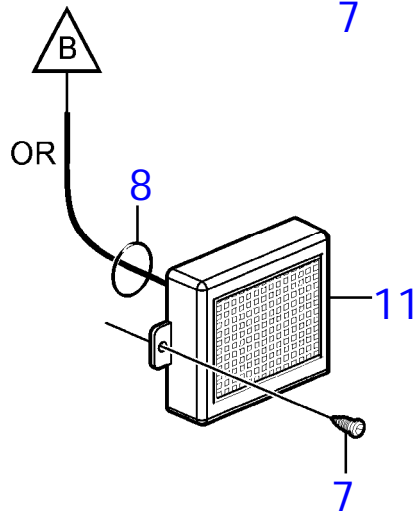
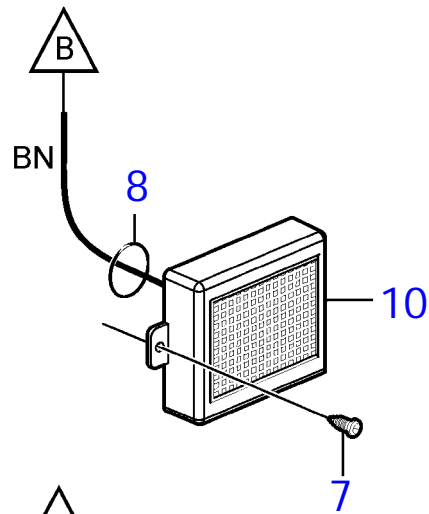
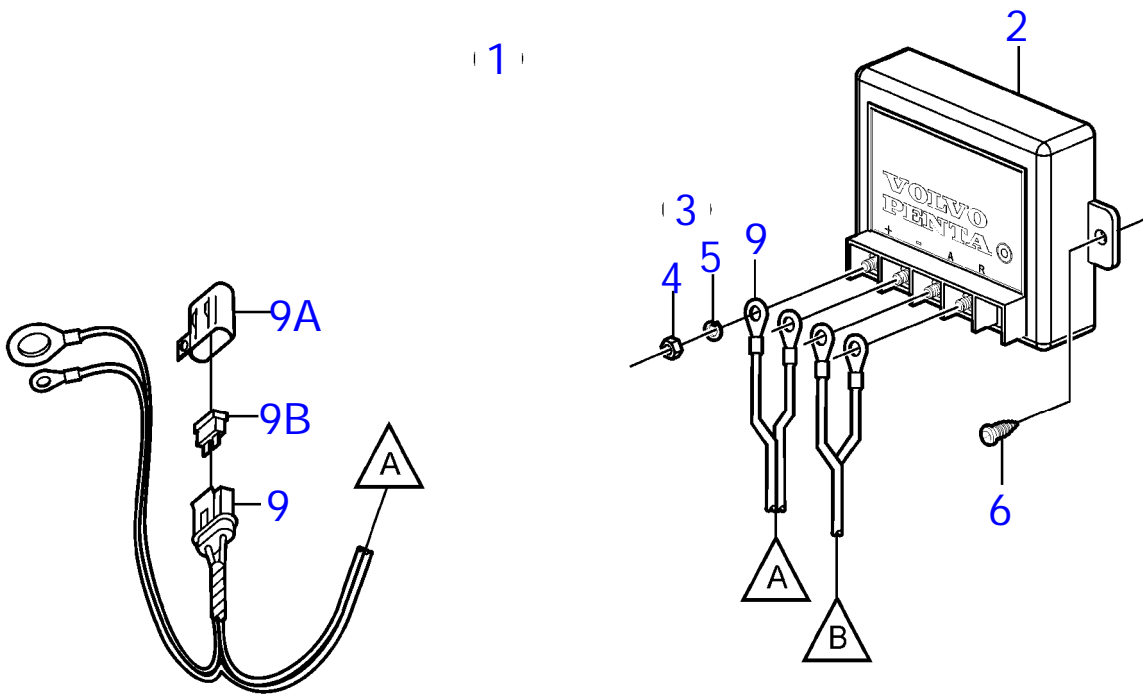
## SX-S, SX-ST

REF	PART NO.	QTY	DESCRIPTION	SEE SEC.	NOTES
26	3855081	1	• O-ring, Gearcase plug (a)		Contents of Lower Gearcase Seal Kit
27	3852970	1	• Anode, Prop shaft housing		
28		1	• Retainer, Anode		
29		1	• Screw, Anode		
30		2	• Screw, Anode retainer		
31		1	• Washer, Anode		
32	3852883	1	• Retainer, Driveshaft		
33	3853371	1	• Retainer, Prop shaft housing		
34	3852478	1	• Screw, Prop shaft retainer		
35	3853932	1	• Guide, Water tube (a)		Contents of Lower Gearcase Seal Kit
36	3850662	1	Plug, Trim tab hole		SX-S
37	3852008	1	Screw, Trim tab		SX-ST
38	3854402	1	Trim fin		SX-ST
39	3852349	1	Screw, Lower to upper housing		
40	3853262	4	Screw, Lower to upper housing		
41	3852960	1	Screw, Lower to upper housing		
42	3852268	1	Splined sleeve, Intermediate		
43	3852056	1	Split pin, Propeller		
44	3852350	1	Spacer, Propeller nut		
45	3852020	1	Bushing		
46	3850984	1	Propeller nut, Propeller		
47	3852314	1	Tube, Water supply		
48	3852315	1	Sealing, Water supply tube		Contents of Lower Gearcase Seal Kit
49		1	Propeller, 15 x 15		Left-Hand Rotation, Stainless Steel
		1	Propeller, 15 x 17		Left-Hand Rotation, Stainless Steel
			• Bulletin 56-11	56-11-EN	Replacement of SX Propellers
49	3850317	1	Propeller, 14 ½ x 19		Left-Hand Rotation, Stainless Steel
			• Bulletin 56-11	56-11-EN	Replacement of SX Propellers
49	3850318	1	Propeller, 14 ¼ x 21		Left-Hand Rotation, Stainless Steel
			• Bulletin 56-11	56-11-EN	Replacement of SX Propellers
49		1	Propeller, 14 ¼ x 23		Left-Hand Rotation, Stainless Steel
			• Bulletin 56-11	56-11-EN	Replacement of SX Propellers
49		1	Propeller, 15 x 17		Left-Hand Rotation, Polished Stainless Steel
			• Bulletin 56-11	56-11-EN	Replacement of SX Propellers
49	3850321	1	Propeller, 14 ½ x 19		Left-Hand Rotation, Polished Stainless Steel
			• Bulletin 56-11	56-11-EN	Replacement of SX Propellers
49	3850322	1	Propeller, 14 ¼ x 21		Left-Hand Rotation, Polished Stainless Steel
			• Bulletin 56-11	56-11-EN	Replacement of SX Propellers
49	3850323	1	Propeller, 14 ¼ x 23		Left-Hand Rotation, Polished Stainless Steel
			• Bulletin 56-11	56-11-EN	Replacement of SX Propellers
49		1	Propeller, 15 ½ x 14		Right-Hand Rotation, Stainless Steel
		1	Propeller, 15 x 15		Right-Hand Rotation, Stainless Steel
		1	Propeller, 15 x 16		Right-Hand Rotation, Stainless Steel
	3850307	1	Propeller, 15 x 17		Right-Hand Rotation, Stainless Steel
			• Bulletin 56-11	56-11-EN	Replacement of SX Propellers
49	3850308	1	Propeller, 14 ½ x 19		Right-Hand Rotation, Stainless Steel
			• Bulletin 56-11	56-11-EN	Replacement of SX Propellers
49	3850309	1	Propeller, 14 ¼ x 21		Right-Hand Rotation, Stainless Steel
			• Bulletin 56-11	56-11-EN	Replacement of SX Propellers
49	3850310	1	Propeller, 14 ¼ x 23		Right-Hand Rotation, Stainless Steel
			• Bulletin 56-11	56-11-EN	Replacement of SX Propellers
49	3850298	1	Propeller, 15 ¼ x 13		Right-Hand Rotation, Aluminum
	3850299	1	Propeller, 15 ¼ x 15		Right-Hand Rotation, Aluminum
	3850300	1	Propeller, 15 x 17		Right-Hand Rotation, Aluminum
	3850301	1	Propeller, 14 ¼ x 19		Right-Hand Rotation, Aluminum
	3850302	1	Propeller, 14 ¼ x 21		Right-Hand Rotation, Aluminum
	3850303	1	Propeller, 14 ¼ x 23		Right-Hand Rotation, Aluminum
	3850311	1	Propeller, 15 x 17		Right-Hand Rotation, Polished Stainless Steel
			• Bulletin 56-11	56-11-EN	Replacement of SX Propellers
49	3850312	1	Propeller, 14 ¼ x 19		Right-Hand Rotation, Polished Stainless Steel

## SX-S, SX-ST

REF	PART NO.	QTY	DESCRIPTION	SEE SEC.	NOTES
49	3850313	1	• Bulletin 56-11 Propeller, 14 ¼ x 21	56-11-EN	Replacement of SX Propellers Right-Hand Rotation, Polished Stainless Steel
49	3850314	1	• Bulletin 56-11 Propeller, 14 ¼ x 23	56-11-EN	Replacement of SX Propellers Right-Hand Rotation, Polished Stainless Steel
50	3850324	1	• Bulletin 56-11 • Bushing, Propeller	56-11-EN	Replacement of SX Propellers Aluminium
	3850325	1	• Bushing, Propeller		Stainless Steel, Polished Stainless Steel
51	3850831	1	• Sleeve, Bushing		
52	3854241	1	• Ring, Converging		Aluminium
53	3853818	1	Zinc anode		
			• Bulletin P-44-1-1	P-44-1-1-EN	Anodes, SX AND DP-S
54	3852182	2	Washer, Anode		
55	3852186	2	Hexagon screw, Anode		
56	3850597	1	Kit		

SX-S, SX-SLT

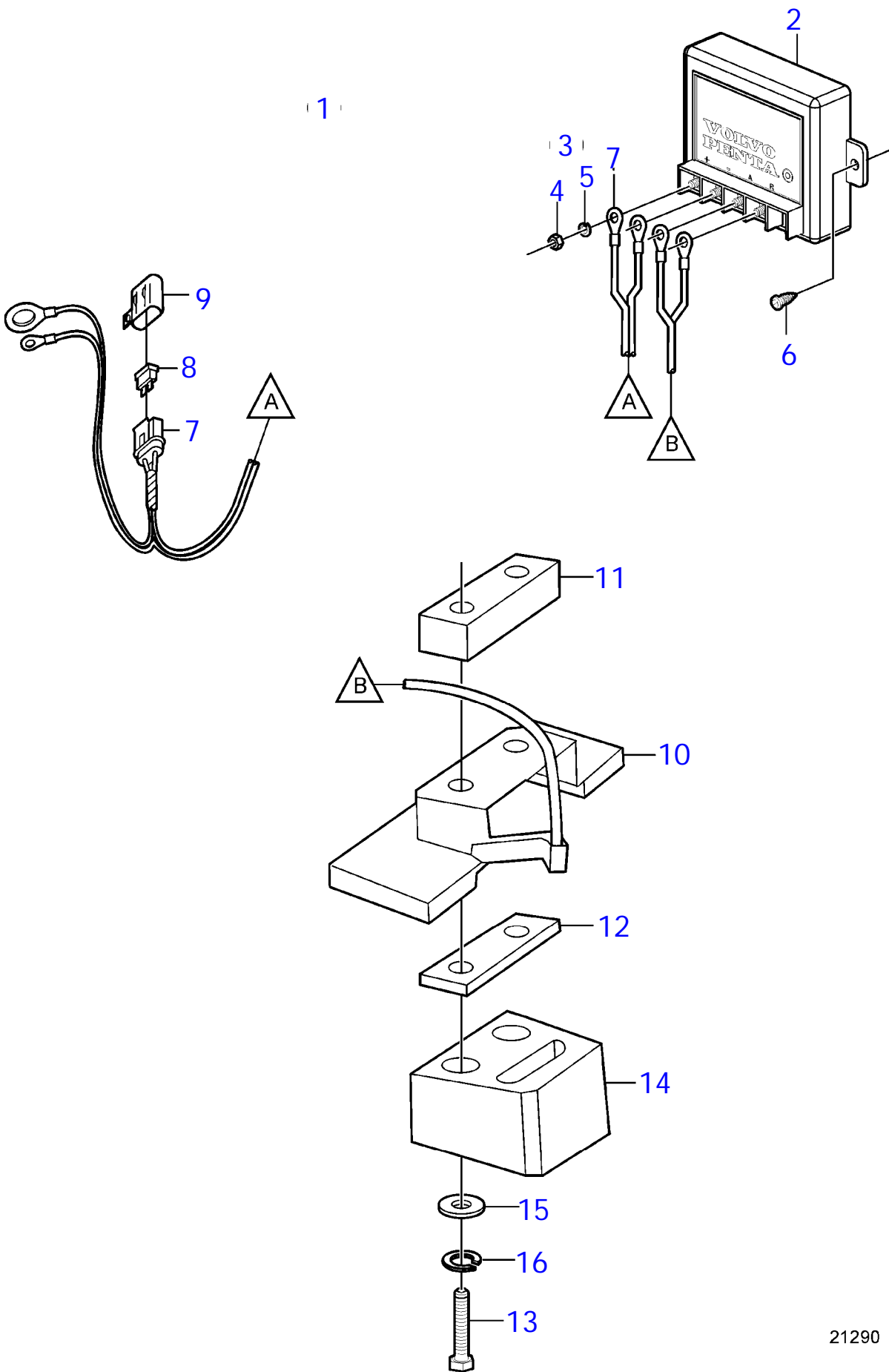




## SX-S, SX-SLT

REF	PART NO.	QTY	DESCRIPTION	NOTES
1	3851790	1	Protection against c, ACP	Kit and parts no longer available, replaced by complete new design ACP kit
2	3851972	1	• Electronic unit	
3	3856632	1	• Small parts kit	
4	940119	4	• • Hexagon nut	
5		4	• • Lock washer	
6		2	• • Screw	
7		4	• • Screw	
8		2	• • O-ring	
9	3855793	1	• Wiring harness	
9A	8072808	1	• • Cover	
9B	983966	1	• • Fuse	1 AMP
10	3851970	1	• Sensor, reference	Kit and parts no longer available, replaced by complete new design ACP kit
11	3851971	1	• Sensor, active	Kit and parts no longer available, replaced by complete new design ACP kit

SX-S, SX-SLT

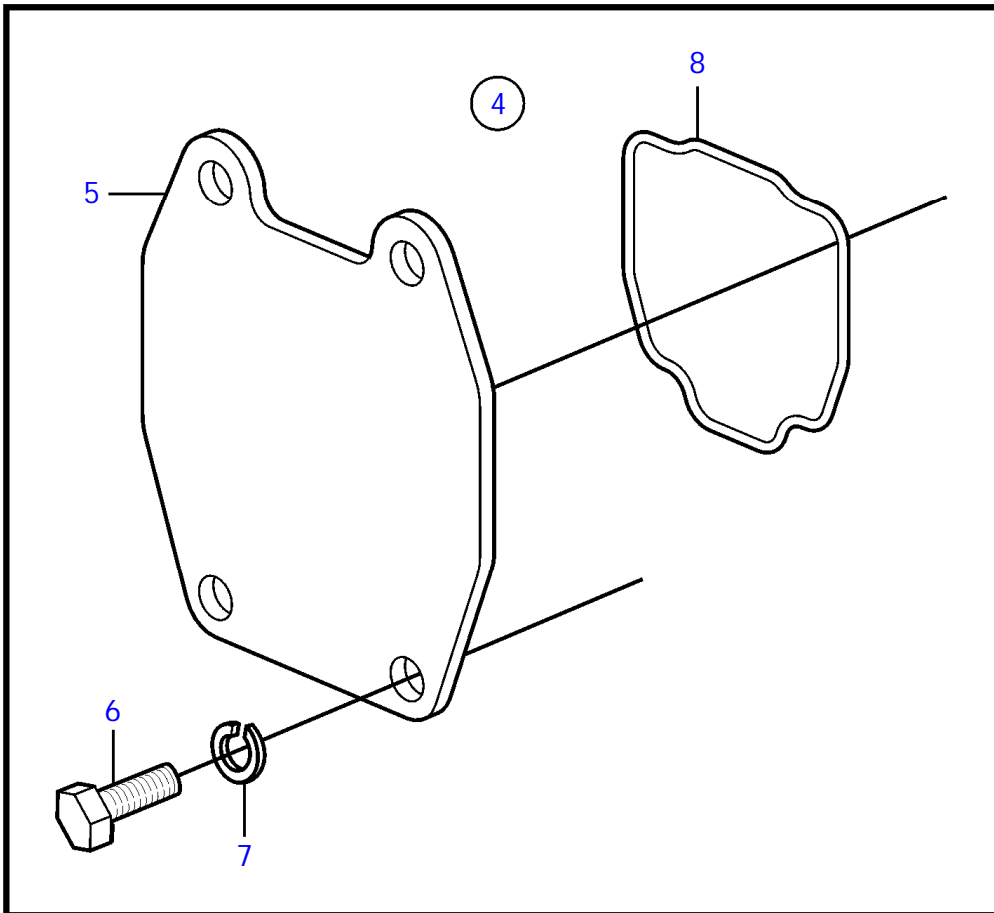
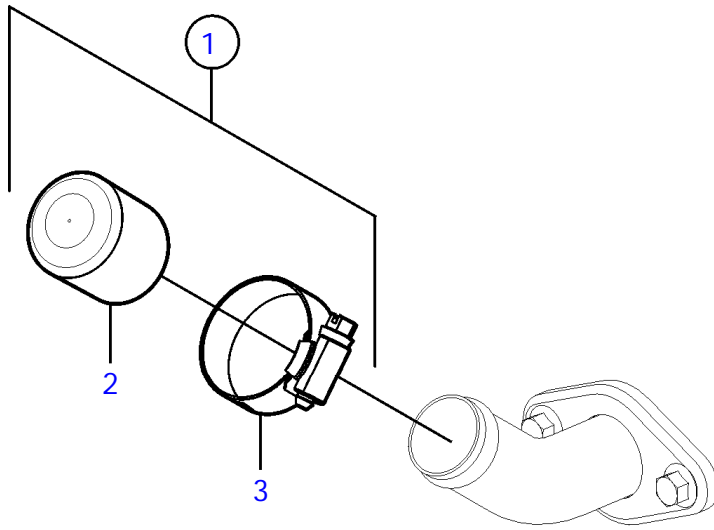


21290

## SX-S, SX-SLT

REF	PART NO.	QTY	DESCRIPTION	NOTES
1	3851984	1	Protection against c, ACP	Kit and parts no longer available, replaced by complete new design ACP kit
2	3851972	1	• Electronic unit	
3	3856632	1	• Small parts kit	
4	940119	4	• • Hexagon nut	
5		4	• • Lock washer	
6		2	• • Screw	
7	3855793	1	• Wiring harness	
8	8072808	1	• • Cover	
9	983966	1	• • Fuse	1 AMP
10	3851985	1	• Sensor	Kit and parts no longer available, replaced by complete new design ACP kit
11	3856636	1	• Spacer	
12		1	• Spacer	
13	959951	2	• Hexagon screw	
14		1	Anode	see Transom Shield page
15		2	Washer	
16	3852061	2	Washer	

SX-S, SX-SLT

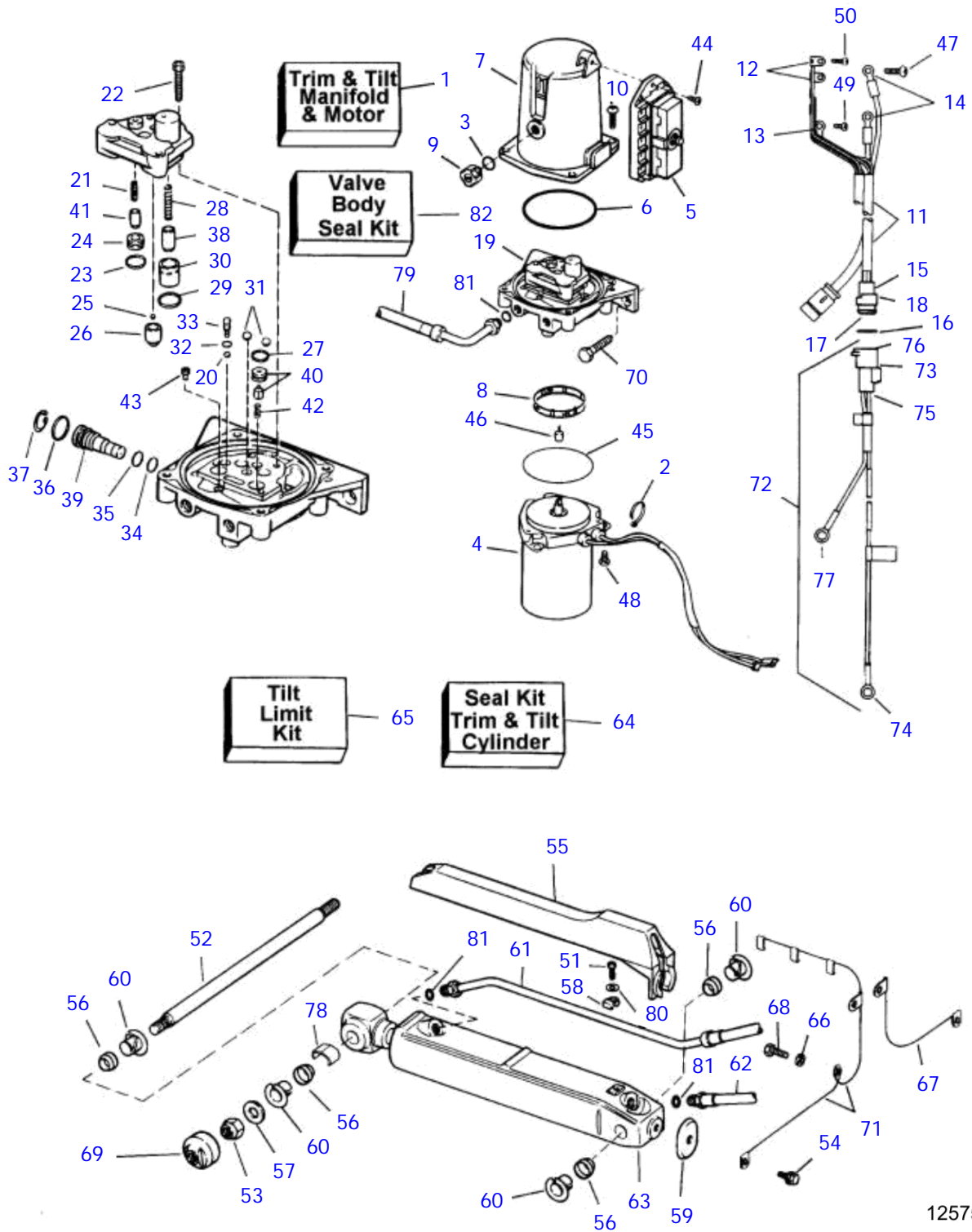


24646

**SX-S, SX-SLT**

REF	PART NO.	QTY	DESCRIPTION	NOTES
1		1	Kit, water block-off	kit no longer available
2	3852476	1	• Cardboard tube	
3	3863444	2	• Hose clamp	
4	3850889	1	Kit, exhaust block-off	
5		1	• Flange	not sold separately
6	3855227	4	• Hexagon screw	
7	3852002	4	• Spring washer	
8	3587651	1	Kit	

SX-S



12575

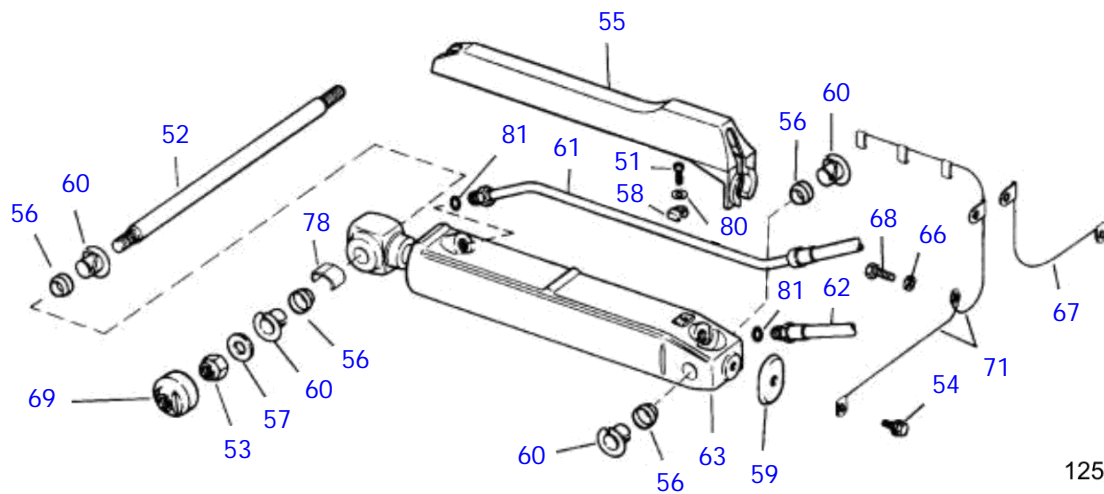
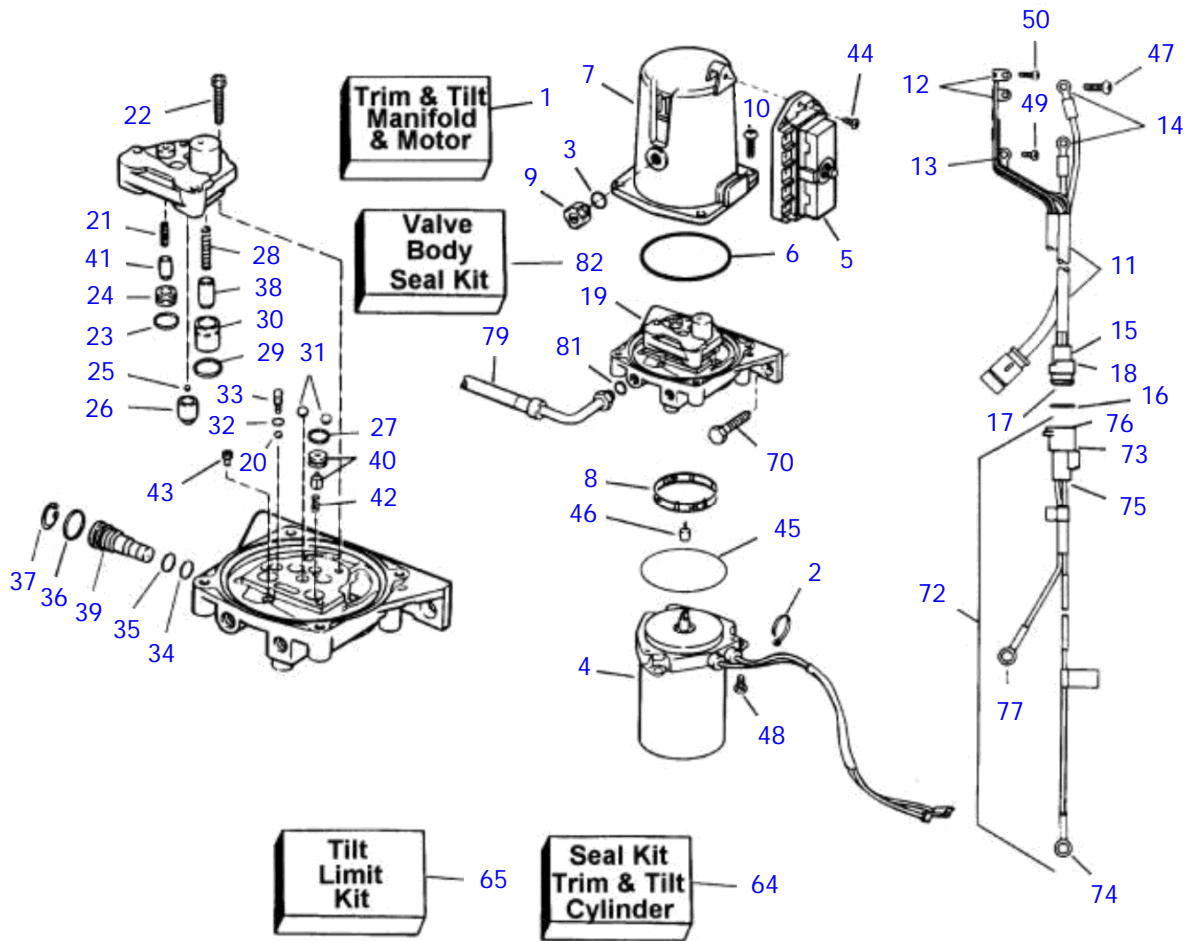
SX-S

REF	PART NO.	QTY	DESCRIPTION	NOTES
1	3854030	1	Hydraulic pump	has manual release valve
	3855334	1	Hydraulic pump	NO manual release valve
2		1	Cable tie	
3	3852073	1	O-ring, Plug	Contents of Valve Body Seal Kit
4	3853945	1	Electrical motor	
5	3853946	1	Relay	
6	3852508	1	O-ring, Reservoir	Contents of Valve Body Seal Kit
7	3853989	1	Tank	
8	3852974	1	Filter	Contents of Valve Body Seal Kit
9	3852976	1	Plug, Fill hole	
10	3852977	4	Screw, Reservoir to manifold	
11	3854038	1	Wiring harness	
12	3852228	2	Cable terminal	
13	3852226	1	Cable terminal	
14		2	Terminal	
15	3852250	1	Terminal	
16	3852537	1	O-ring, Connector	
17	3852253	2	Terminal	
18	3852251	1	Plug, Connector	
19	3853943	1	Valve housing	
20	3852590	1	Ball, Manual release	
21	3852578	1	Spring, Valve, trim down	
22	3852983	4	Screw, Pump to manifold	
23	3852984	1	O-ring, Valve seat	Contents of Valve Body Seal Kit
24	3852985	1	Seat, Valve, down	
25	3852986	2	Ball, Piston, pump control	
26	3852987	2	Piston, Pump control	
27	3852988	2	O-ring, Piston, pump control	Contents of Valve Body Seal Kit
28	3852989	1	Spring, Valve core, trim up	
29	3852990	1	O-ring, Valve seat, trim up	Contents of Valve Body Seal Kit
30	3852991	1	Spring seat, Valve, trim up	
31	3852023	2	Ball, Pump inlet	
32	3852992	1	O-ring, manual release3	
33	3852993	1	Plug, Manual release	
34	3852994	1	Ring, Manual release	
35	3852995	1	O-ring, Manual release	10 1/2 in. (268 mm) full extension, from end cap to pivot pin
36	3852996	1	O-ring, Manual release	10 1/2 in. (268 mm) full extension, from end cap to pivot pin
37	3852997	1	Snap ring	
38	3853803	1	Valve, Trim up	
39	3853944	1	Valve, Manual release	
40	3853947	2	Valve	
41	3853948	1	Valve	
42	3852975	2	Spring, Check valve	
43	3853313	1	Filter, Oil	
44	3852978	1	Screw, Relay to reservoir	
45	3852166	1	O-ring, Motor to manifold	Contents of Valve Body Seal Kit
46	3852982	11	Pump, Pump	
47	3852981	2	Screw, Terminal	
48	3852978	3	Screw, Motor to manifold	
49	3852979	3	Screw, Terminal	
50	3852980	2	Screw, Terminal	
51	3852081	2	Screw, Oil line retainer	
52	3853422	2	Pin, Tilt cylinder	
53	3852648	4	Nut, Pivot pin	
54	3852568	2	Screw, Cover	
55	3852378	2	Cardboard tube, Tilt cylinder	
56	3853424	8	Grommet, Pivot pin bushing	
57	3852573	4	Washer, Pivot pin	
58		2	Retainer, Oil line	
59	3852681	2	Retainer, Cover	
60	3853423	8	Bushing, Trim & tilt cylinder	
61	3853854	1	Hydraulic hose, Starboard, down	
	3853856	1	Hydraulic hose, Port, down	
62	3853855	1	Oil line, Starboard, up	

SX-S

REF	PART NO.	QTY	DESCRIPTION	NOTES
	3853857	1	Oil line, Port, up	
63	3852414	2	Cylinder	10 1/2 in. (268 mm) full extension, from end cap to pivot pin
64	3854247	1	Sealing kit, Cylinder	
65	3850887	1	Trimming limiter	Limits cylinders to 8 in. (203 mm) full extension from end cap to pivot pin
66	3852193	2	Washer, Wire to gimbal	
67	3853849	1	Chassie ground cable, 2-loop	
68	3852050	2	Screw, Wire to gimbal	
69	3852958	4	Cardboard tube, Pivot shaft, tilt cylinder	
70	3852581	2	Screw	
71	3853848	1	Chassie ground cable, 3-loop	
72	3854031	1	Wiring harness, Trim/tilt	
73		1	Connector	
74		1	Terminal, Ring	
75	3852251	1	Plug, Connector	
76	3852252	2	Terminal, Receptacle	
77		1	Terminal, Ring	
78	3853421	2	Spring, Ground	
79	3853825	2	Hydraulic hose, Pump to manifold	
80	3852190	2	Washer, Retainer	
81	3852165	12	O-ring, Oil line	Contents of Valve Body Seal Kit
82	3854397	1	Sealing kit, Valve body	





12575

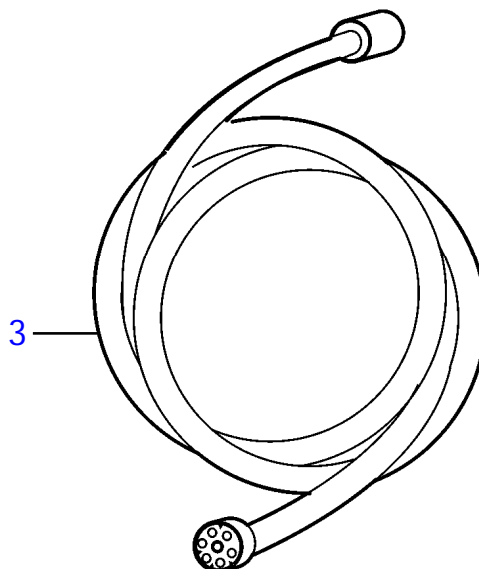
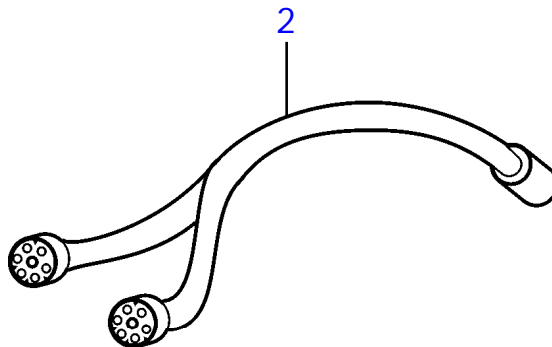
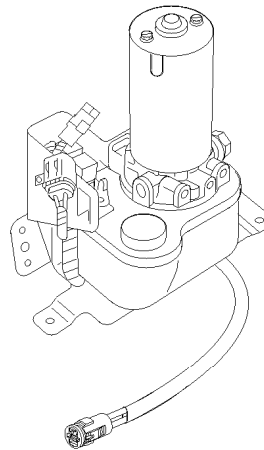
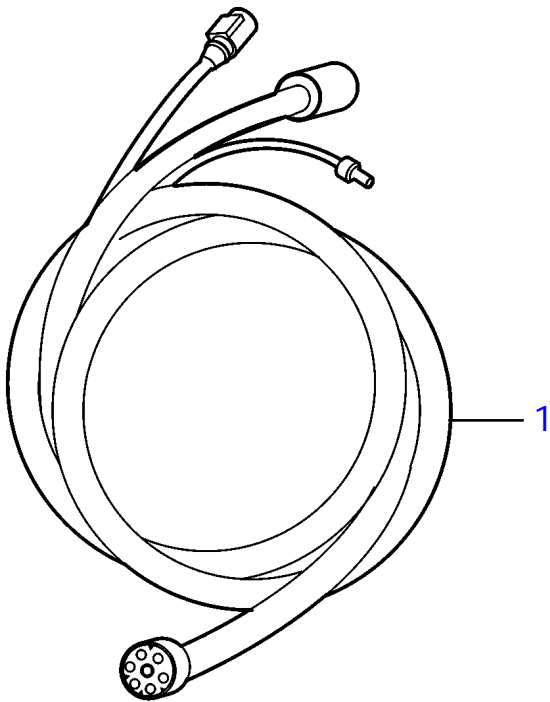
## SX-SLT

REF	PART NO.	QTY	DESCRIPTION	NOTES
1	3854030	1	Hydraulic pump	
2		1	Cable tie	
3	3852073	1	O-ring, Plug	Contents of Valve Body Seal Kit
4	3853945	1	Electrical motor	
5	3853946	1	Relay	
6	3852508	1	O-ring, Reservoir	Contents of Valve Body Seal Kit
7	3853989	1	Tank	
8	3852974	1	Filter	Contents of Valve Body Seal Kit
9	3852976	1	Plug, Fill hole	
10	3852977	4	Screw, Reservoir to manifold	
11	3854038	1	Wiring harness	
12	3852228	2	Cable terminal	
13	3852226	1	Cable terminal	
14		2	Terminal	
15	3852250	1	Terminal	
16	3852537	1	O-ring, Connector	
17	3852253	2	Terminal	
18	3852251	1	Plug, Connector	
19	3853943	1	Valve housing	
20	3852590	1	Ball, Manual release	
21	3852578	1	Spring, Valve, trim down	
22	3852983	4	Screw, Pump to manifold	
23	3852984	1	O-ring, Valve seat	Contents of Valve Body Seal Kit
24	3852985	1	Seat, Valve, down	
25	3852986	2	Ball, Piston, pump control	
26	3852987	2	Piston, Pump control	
27	3852988	2	O-ring, Piston, pump control	Contents of Valve Body Seal Kit
28	3852989	1	Spring, Valve core, trim up	
29	3852990	1	O-ring, Valve seat, trim up	Contents of Valve Body Seal Kit
30	3852991	1	Spring seat, Valve, trim up	
31	3852023	2	Ball, Pump inlet	
32	3852992	1	O-ring, manual release3	
33	3852993	1	Plug, Manual release	
34	3852994	1	Ring, Manual release	
35	3852995	1	O-ring, Manual release	10 1/2 in. (268 mm) full extension, from end cap to pivot pin
36	3852996	1	O-ring, Manual release	10 1/2 in. (268 mm) full extension, from end cap to pivot pin
37	3852997	1	Snap ring	
38	3853803	1	Valve, Trim up	
39	3853944	1	Valve, Manual release	
40	3853947	2	Valve	
41	3853948	1	Valve	
42	3852975	2	Spring, Check valve	
43	3853313	1	Filter, Oil	
44	3852978	1	Screw, Relay to reservoir	
45	3852166	1	O-ring, Motor to manifold	Contents of Valve Body Seal Kit
46	3852982	11	Pump, Pump	
47	3852981	2	Screw, Terminal	
48	3852978	3	Screw, Motor to manifold	
49	3852979	3	Screw, Terminal	
50	3852980	2	Screw, Terminal	
51	3852081	2	Screw, Oil line retainer	
52	3853422	2	Pin, Tilt cylinder	
53	3852648	4	Nut, Pivot pin	
54	3852568	2	Screw, Cover	
55	3852378	2	Cardboard tube, Tilt cylinder	
56	3853424	8	Grommet, Pivot pin bushing	
57	3852573	4	Washer, Pivot pin	
58		2	Retainer, Oil line	
59	3852681	2	Retainer, Cover	
60	3853423	8	Bushing, Trim & tilt cylinder	
61	3853854	1	Hydraulic hose, Starboard, down	
	3853856	1	Hydraulic hose, Port, down	
62	3853855	1	Oil line, Starboard, up	
	3853857	1	Oil line, Port, up	

SX-SLT

REF	PART NO.	QTY	DESCRIPTION	NOTES
63	3850683	2	Cylinder	
64	3854247	1	Sealing kit, Cylinder	
65	3850887	1	Trimming limiter	Limits cylinders to 8 in. (203 mm) full extension from end cap to pivot pin
66	3852193	2	Washer, Wire to gimbal	
67	3853849	1	Chassie ground cable, 2-loop	
68	3852050	2	Screw, Wire to gimbal	
69	3852958	4	Cardboard tube, Pivot shaft, tilt cylinder	
70	3852581	2	Screw	
71	3853848	1	Chassie ground cable, 3-loop	
72	3854031	1	Wiring harness, Trim/tilt	
73		1	Connector	
74		1	Terminal, Ring	
75	3852251	1	Plug, Connector	
76	3852252	2	Terminal, Receptacle	
77		1	Terminal, Ring	
78	3853421	2	Spring, Ground	
79	3853825	2	Hydraulic hose, Pump to manifold	
80	3852190	2	Washer, Retainer	
81	3852165	12	O-ring, Oil line	Contents of Valve Body Seal Kit
82	3854397	1	Sealing kit, Valve body	

SX-S, SX-SLT

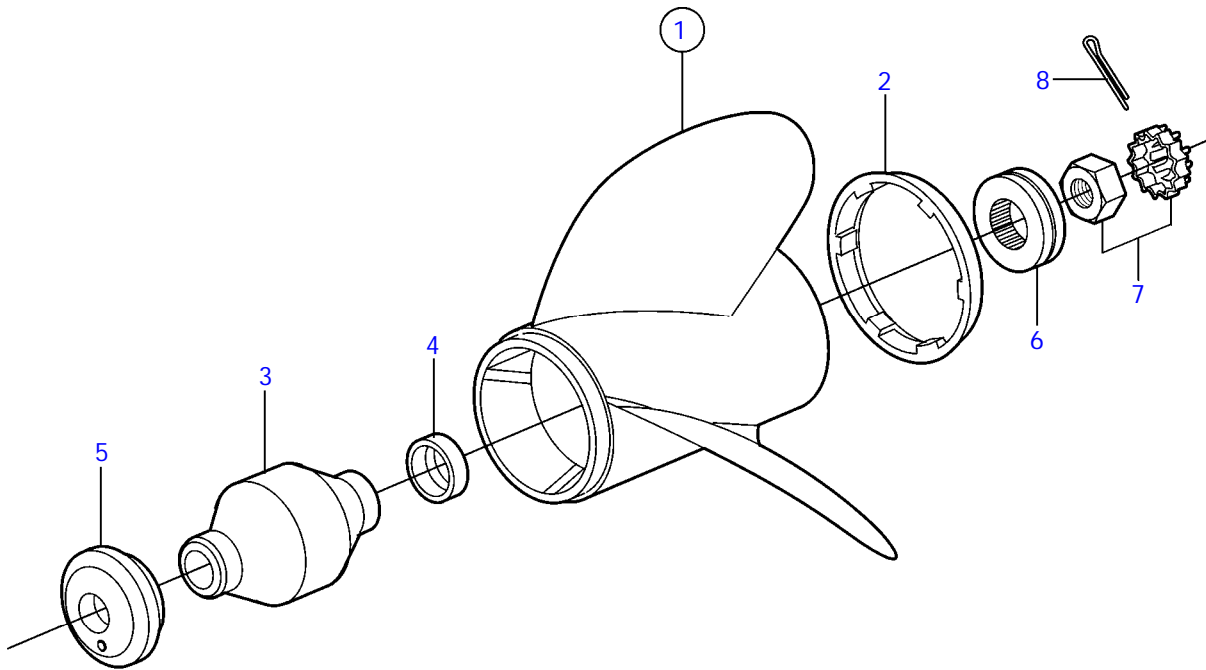


24648

SX-S, SX-SLT

REF	PART NO.	QTY	DESCRIPTION	NOTES
1	3855708	1	Wiring harness	23 ft. (7.01 m) SX, DP-S
	3855709	1	Wiring harness	16 ft. (4.88 m) SX, DP-S
2	3855712	1	Wiring harness	Y
3	3855710	1	Wiring harness	9 ft. (2.74 m) SX, DP-S
	3855711	1	Wiring harness	16 ft. (4.88 m) SX, DP-S

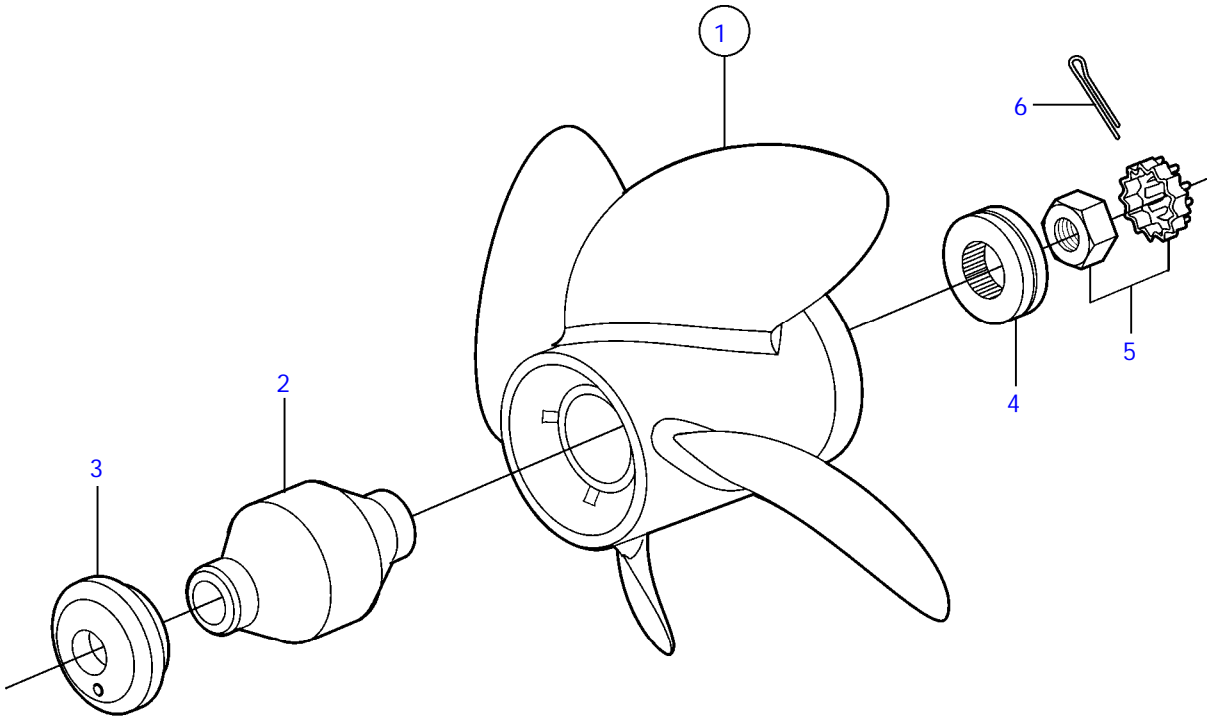
SX-S, SX-ST



19627

SX-S, SX-ST

REF	PART NO.	QTY	DESCRIPTION	SEE SEC.	NOTES
1	3855481	1	Propeller, 14½ x 19		LR, aluminum
	3855480	1	Propeller, 15 x 17		LR, aluminum
	3855476	1	Propeller, 15½ x 12		LR, aluminum
	3855477	1	Propeller, 15½ x 13		LR, aluminum
	3855478	1	Propeller, 15½ x 14		LR, aluminum
	3855479	1	Propeller, 15½ x 15		LR, aluminum
	3850302	1	Propeller, 14¼ x 21		RR, aluminum
	3850303	1	Propeller, 14¼ x 23		RR, aluminum
	3850301	1	Propeller, 14½ x 19		RR, aluminum
	3850300	1	Propeller, 15 x 17		RR, aluminum
	3850298	1	Propeller, 15½ x 13		RR, aluminum
	3850299	1	Propeller, 15½ x 15		RR, aluminum
	3850318	1	Propeller, 14¼ x 21		LR, stainless steel
			• Bulletin 56-11	56-11-EN	Replacement of SX Propellers
1		1	Propeller, 14¼ x 23		LR, stainless steel
			• Bulletin 56-11	56-11-EN	Replacement of SX Propellers
1	3850317	1	Propeller, 14½ x 19		LR, stainless steel
			• Bulletin 56-11	56-11-EN	Replacement of SX Propellers
1		1	Propeller, 15 x 15		LR, stainless steel
		1	Propeller, 15 x 17		LR, stainless steel
			• Bulletin 56-11	56-11-EN	Replacement of SX Propellers
1	3850309	1	Propeller, 14¼ x 21		RR, stainless steel
			• Bulletin 56-11	56-11-EN	Replacement of SX Propellers
1	3850310	1	Propeller, 14¼ x 23		RR, stainless steel
			• Bulletin 56-11	56-11-EN	Replacement of SX Propellers
1	3850308	1	Propeller, 14½ x 19		RR, stainless steel
			• Bulletin 56-11	56-11-EN	Replacement of SX Propellers
1		1	Propeller, 15 x 15		RR, stainless steel
		1	Propeller, 15 x 16		RR, stainless steel
	3850307	1	Propeller, 15 x 17		RR, stainless steel
			• Bulletin 56-11	56-11-EN	Replacement of SX Propellers
1		1	Propeller, 15½ x 14		RR, stainless steel
	3850322	1	Propeller, 14¼ x 21		LR, polished stainless steel
			• Bulletin 56-11	56-11-EN	Replacement of SX Propellers
1	3850323	1	Propeller, 14¼ x 23		LR, polished stainless steel
			• Bulletin 56-11	56-11-EN	Replacement of SX Propellers
1	3850321	1	Propeller, 14½ x 19		LR, polished stainless steel
			• Bulletin 56-11	56-11-EN	Replacement of SX Propellers
1		1	Propeller, 15 x 17		LR, polished stainless steel
			• Bulletin 56-11	56-11-EN	Replacement of SX Propellers
1	3850313	1	Propeller, 14¼ x 21		RR, polished stainless steel
			• Bulletin 56-11	56-11-EN	Replacement of SX Propellers
1	3850314	1	Propeller, 14¼ x 23		RR, polished stainless steel
			• Bulletin 56-11	56-11-EN	Replacement of SX Propellers
1	3850312	1	Propeller, 14½ x 19		RR, polished stainless steel
			• Bulletin 56-11	56-11-EN	Replacement of SX Propellers
1	3850311	1	Propeller, 15 x 17		RR, polished stainless steel
			• Bulletin 56-11	56-11-EN	Replacement of SX Propellers
2	3854241	1	• Ring		
3	3850324	1	• Bushing		
4	3850831	1	• • Sleeve		
5	3852020	1	• Bushing		
6	3852350	1	Spacer		
7	3850984	1	Propeller nut		
		1	• Nut		not sold separately
		1	• Retainer		not sold separately
8	3852056	1	Split pin		



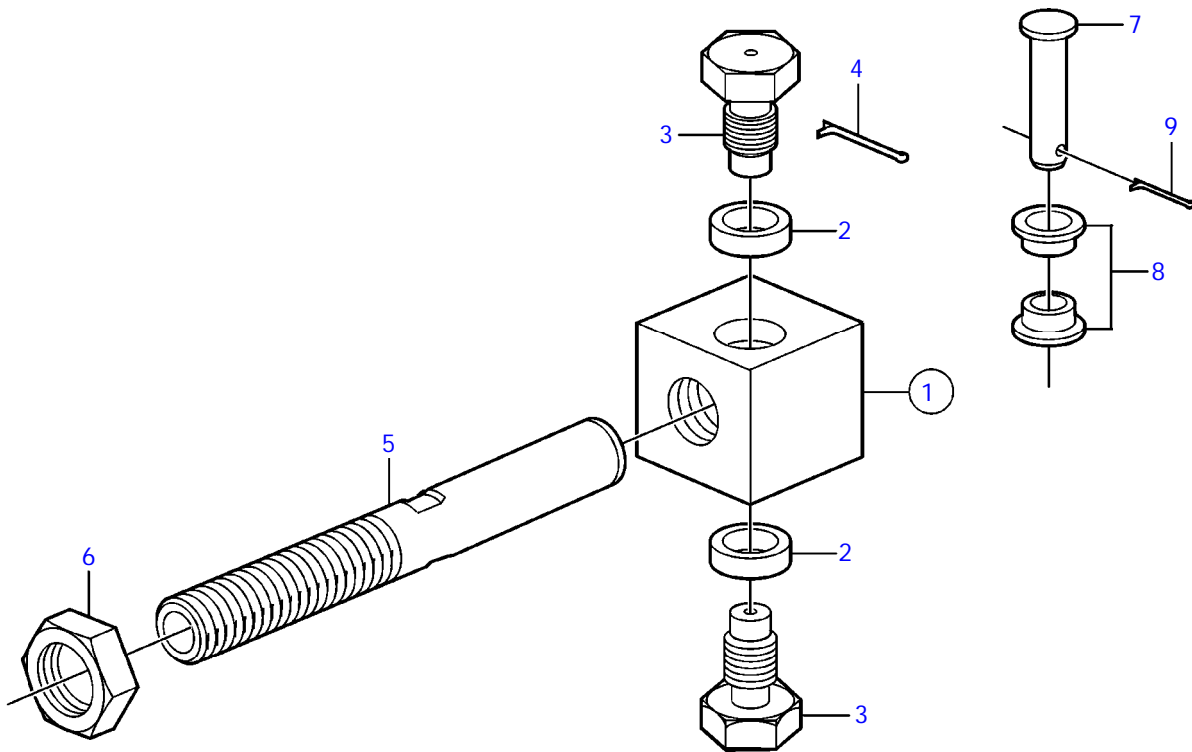
19812



SX-S

REF	PART NO.	QTY	DESCRIPTION	NOTES
1		1	Propeller, 14½ x 20	LR, stainless steel
		1	Propeller, 14½ x 22	LR, stainless steel
		1	Propeller, 14½ x 24	LR, stainless steel
		1	Propeller, 14½ x 26	LR, stainless steel
		1	Propeller, 14½ x 20	RR, stainless steel
		1	Propeller, 14½ x 22	RR, stainless steel
		1	Propeller, 14½ x 24	RR, stainless steel
		1	Propeller, 14½ x 26	RR, stainless steel
2		1	• Hub	not sold separately
3	3852020	1	Bushing	
4	3852350	1	Spacer	
5	3850984	1	Propeller nut	
		1	• Nut	not sold separately
		1	• Retainer	not sold separately
6	3852056	1	Split pin	

SX-S, SX-SLT

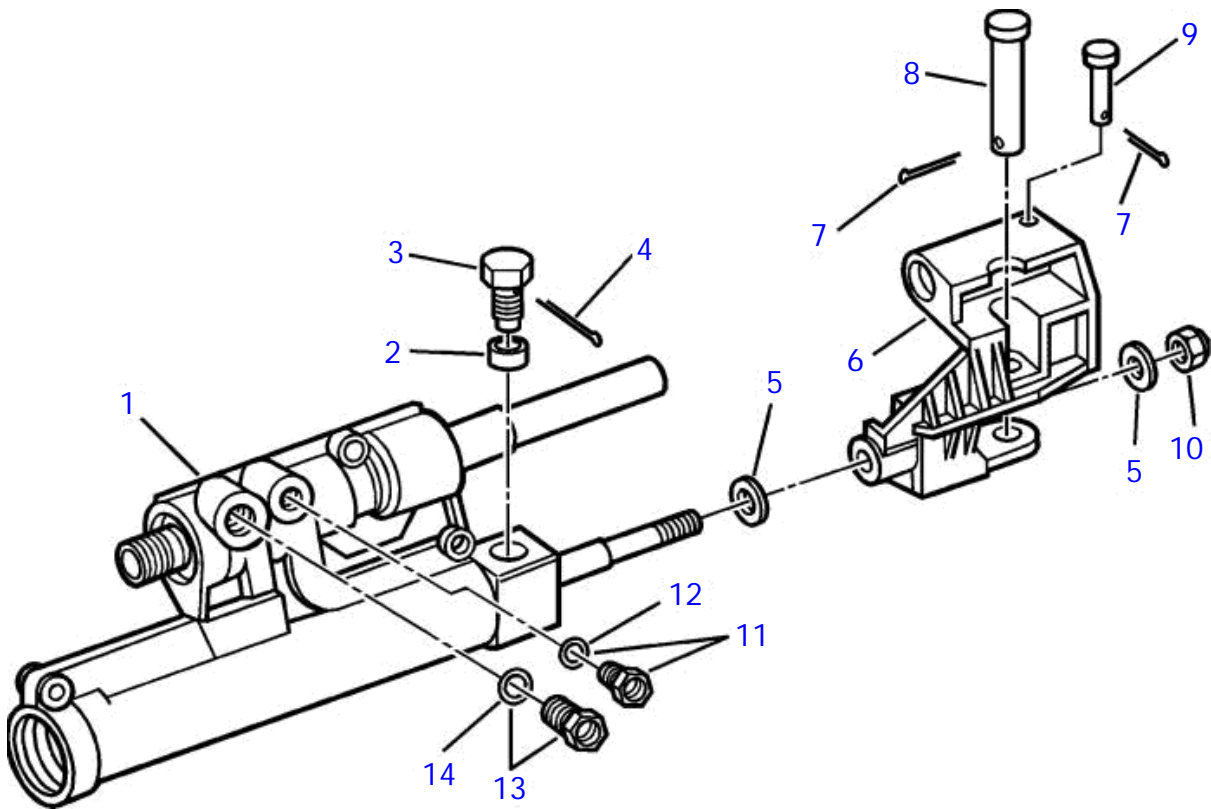


19081

## SX-S, SX-SLT

REF	PART NO.	QTY	DESCRIPTION
1	3853808	1	Anchorage
2	3852582	2	• Bushing
3	3850931	2	Screw
4	3853376	2	Split pin
5	3853449	1	Tube
6	955861	1	Hexagon nut
7	3853258	1	Clevis pin
8	3853263	2	Bushing
9	3852255	1	Split pin

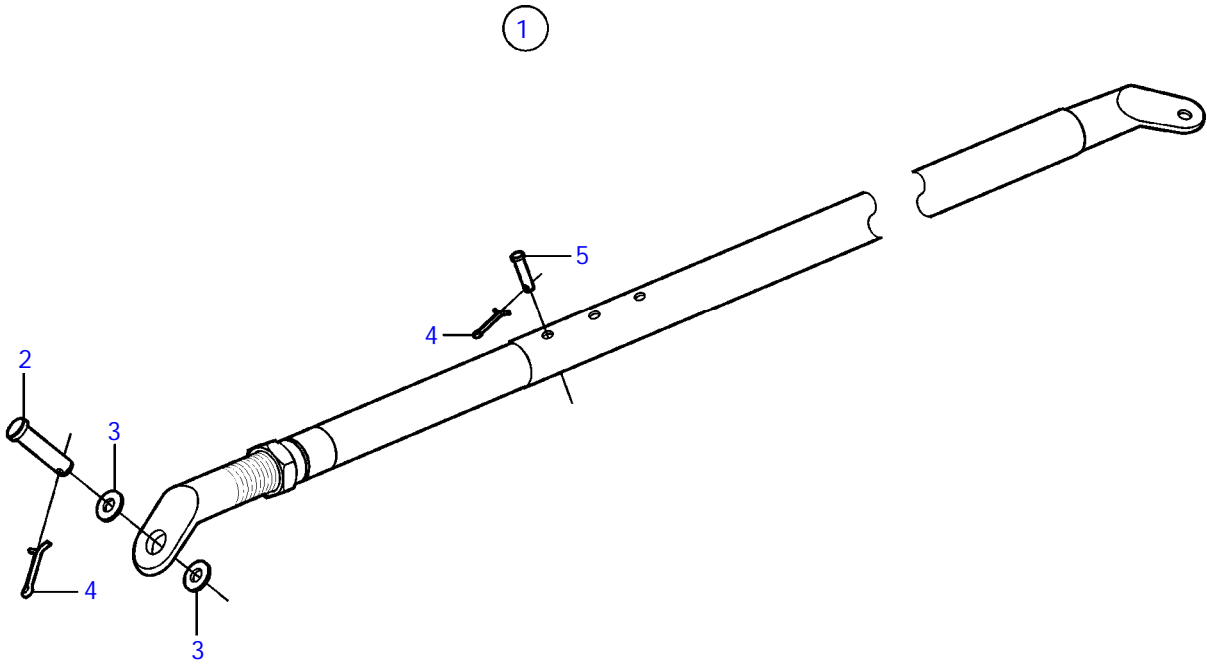
SX-S, SX-SLT



<b>SX-S, SX-SLT</b>
---------------------

REF	PART NO.	QTY	DESCRIPTION
1	3850244	1	Steering cylinder
2	3852582	2	• Bushing
3	3850931	2	• Screw
4	3853376	2	• Split pin
5	3853305	2	• Washer
6		1	• Clevis
7	3852255	2	• • Split pin
8	3853308	1	• Split pin
9	3853307	1	• Clevis pin
10	3853306	1	• Nut
11	3853393	1	• Screw
12	3852587	1	• • O-ring
13	3853994	1	• Fitting
14	3852517	1	• • O-ring, Steering anchor

SX-S, SX-SLT



18085

<b>SX-S, SX-SLT</b>
---------------------

REF	PART NO.	QTY	DESCRIPTION	NOTES
1	3850885	1	Link rod kit	L=26-41"(0.66-1.04M)
	3850886	1	Link rod kit	L=33-48"(0.84-1.22M)
2	3855225	2	• Clevis pin	
3	3855226	4	• Washer	
4	3852255	3	• Split pin	
5	3855224	1	• Clevis pin	



--

DESCRIPTION	SEE SEC.	NOTES
Drive Unit, complete	35242	SX-S, SX-ST
Inner Transom Plate	35241	SX-S, SX-SLT
Transom Shield	10147	SX-S, SX-SLT
Upper Gear Unit	35243	SX-S, SX-ST
Lower Gear Unit	10149	SX-S, SX-ST
Active Corrosion Protection, universal mount, early version	6237	SX-S, SX-SLT
Active Corrosion Protection, early version	7944	SX-S, SX-SLT
Water and Exhaust Block Off Kits	35387	SX-S, SX-SLT
Power Trim System	10430	SX-S
Power Trim System	35244	SX-SLT
Trim Harnesses	10854	SX-S, SX-SLT
Propeller, 3-blade	10855	SX-S, SX-ST
Propeller, High Performance	10856	SX-S

--	--	--





--

DESCRIPTION	SEE SEC.	NOTES
Steering, manual	5614	SX-S, SX-SLT
Steering Cylinder	35245	SX-S, SX-SLT
Tie Bar Kit	35393	SX-S, SX-SLT



**SX-S, SX-SLT, SX-ST**

REF	DESCRIPTION	SEE SEC.
44	Transmissions	44
64	Steering System	64

