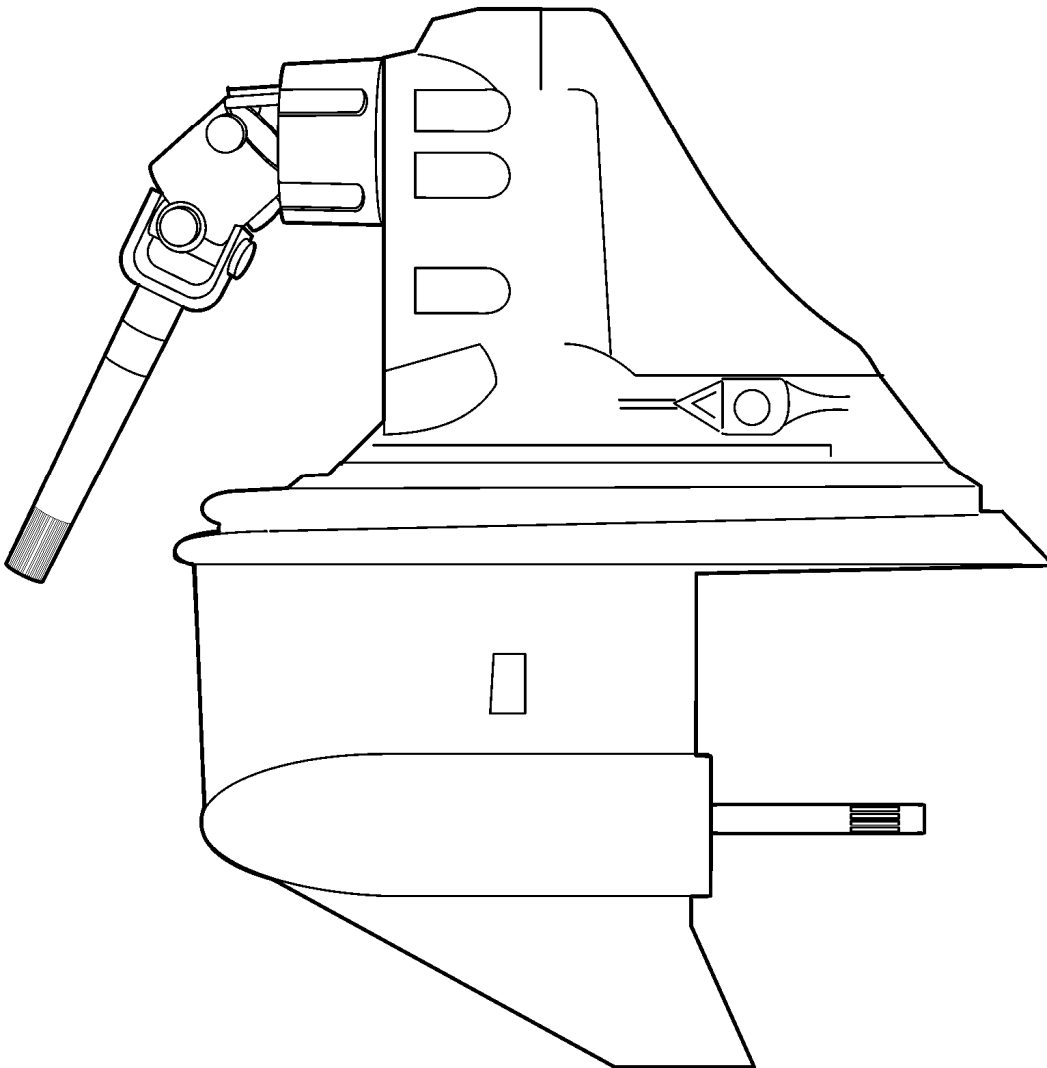


SX-C, SX-C1, SX-C2, SX-CT, SX-CT1, SX-R, SX-RT1, SX-RT2

1



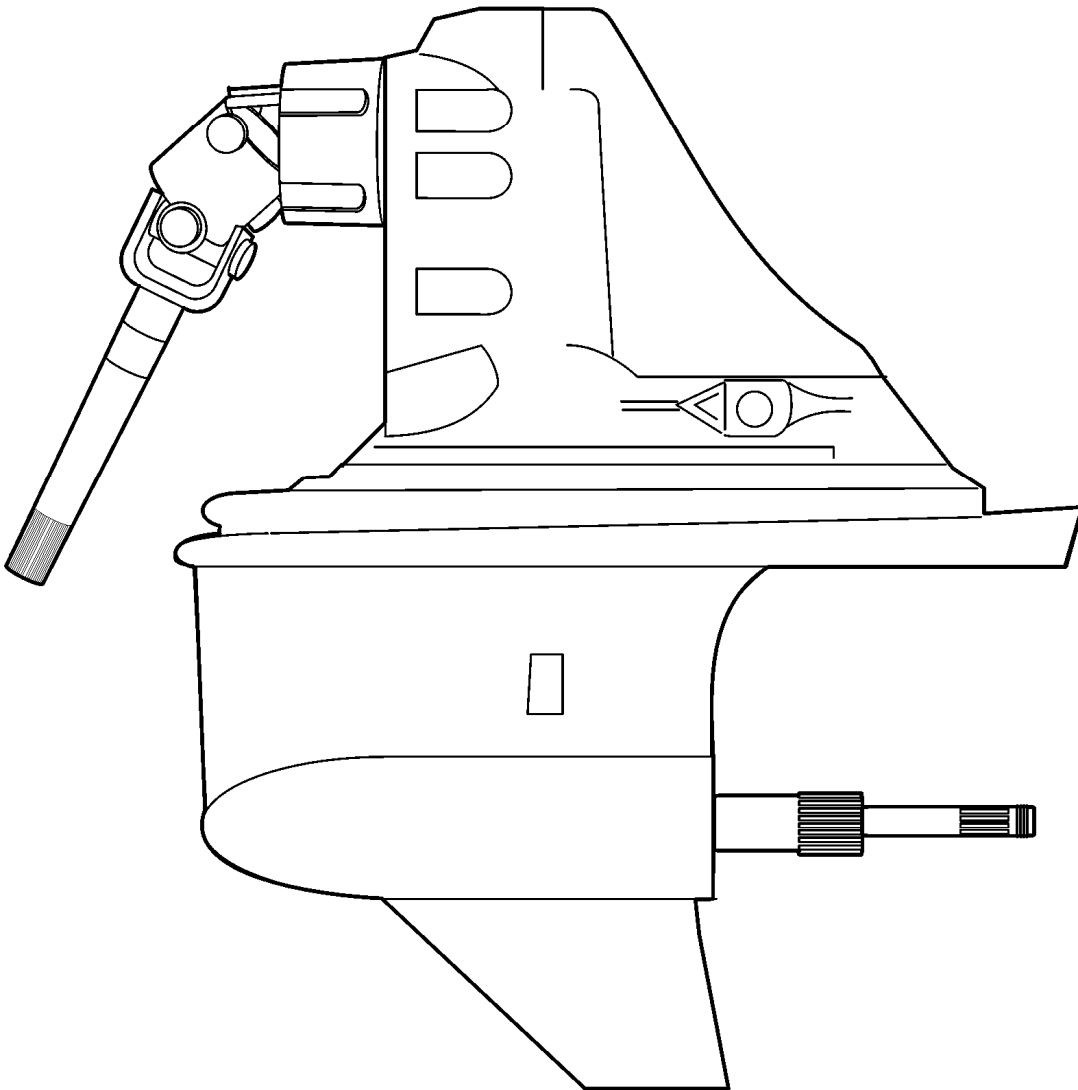
22822

SX-C, SX-C1, SX-C2, SX-CT, SX-CT1, SX-R, SX-RT1, SX-RT2

REF	PART NO.	QTY	DESCRIPTION	NOTES
1	3868208	1	Drive	SX-C, 1.43:1
	3868162	1	Drive	SX-C, 1.51:1
	3868161	1	Drive	SX-C, 1.60:1
	3868160	1	Drive	SX-C, 1.66:1
	3868159	1	Drive	SX-CT, 1.85:1
	3868286	1	Drive	SX-R, 1.66:1
	3868392	1	Drive	SX-C1, 1.43:1
	3868393	1	Drive	SX-C1, 1.51:1
	3868394	1	Drive	SX-C1, 1.60:1
	3868395	1	Drive	SX-C1, 1.66:1
	3868465	1	Drive	SX-C1, 1.85:1
	3868396	1	Drive	SX-CT1, 1.85:1
	3868397	1	Drive	SX-CT1, 1.97:1
	3868333	1	Drive	SX-RT1, 2.18:1
	3868398	1	Drive	SX-RT1, 1.66:1
	3868581	1	Drive	SX-C2, 1.43:1
	3868582	1	Drive	SX-C2, 1.51:1
	3868858	1	Drive	SX-C2, 1.60:1
	3868583	1	Drive	SX-C2, 1.66:1
	3868584	1	Drive	SX-C2, 1.79:1
	3868585	1	Drive	SX-C2, 1.89:1
	3868586	1	Drive	SX-CT2, 1.97:1
		1	Drive	SX-C2, 2.18:1
	3868587	1	Drive	SX-RT2, 1.66:1
		1	Drive	SX-RT2, 1.79:1
	3868588	1	Drive	SX-RT2, 2.18:1

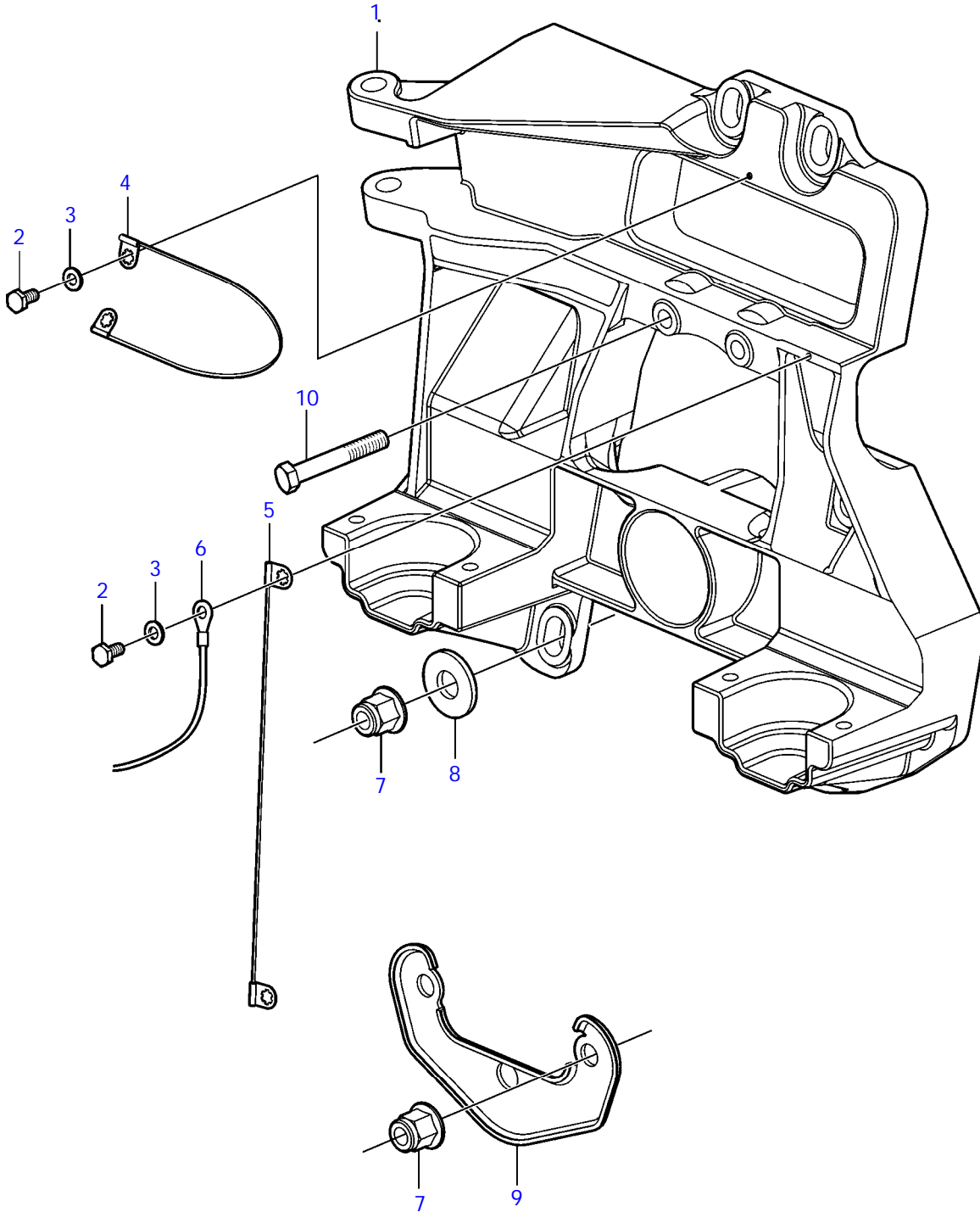
DP-S, DP-S1

①



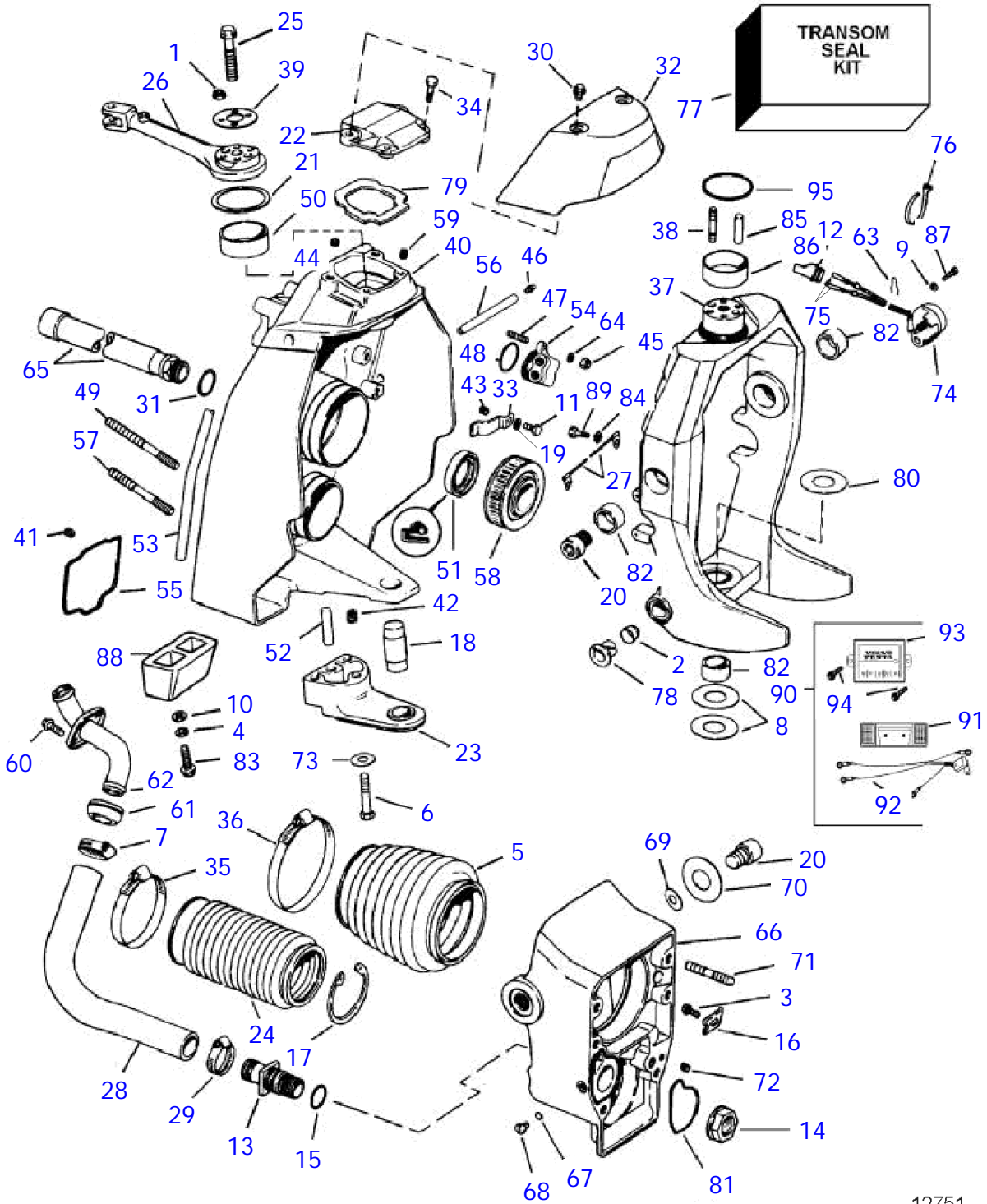
22821

SX-C, SX-C1, SX-C2, SX-R, SX-C1AC, SX-C2AC, SX-R1, SX-R2, SX-CLT, SX-CLT1



19633

SX-C, SX-C1, SX-C2, SX-R, SX-C1AC, SX-R1, SX-R2, SX-CLT, SX-CLT1



12751

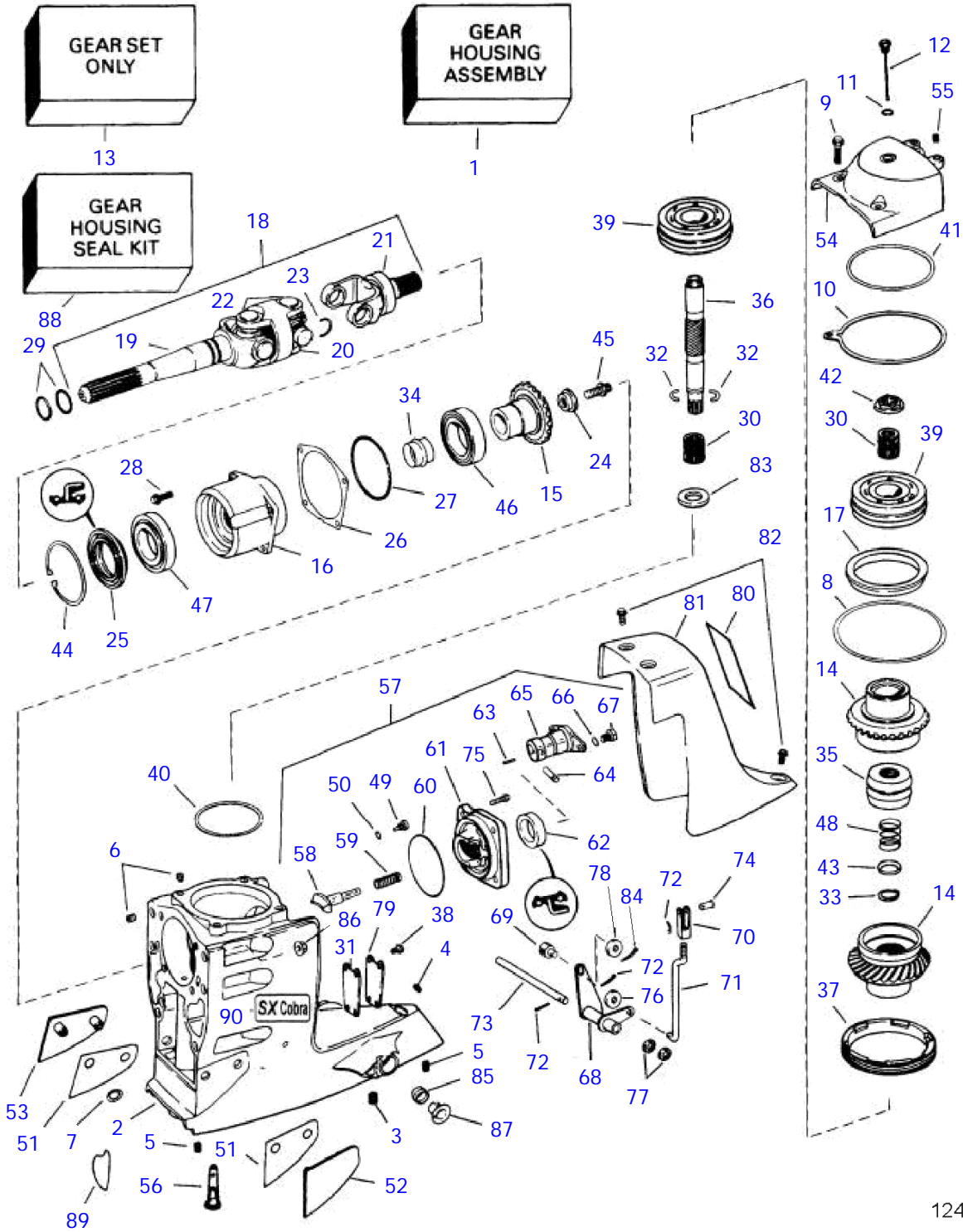
SX-C, SX-C1, SX-C2, SX-R, SX-C1AC, SX-R1, SX-R2, SX-CLT, SX-CLT1

REF	PART NO.	QTY	DESCRIPTION	SEE SEC.	NOTES
1	3852004	4	Nut, Steering arm stud		
2	3853424	2	Grommet, Pivot pin		
3	3852006	1	Screw, Shift cable retainer		
4	3852061	2	Washer, Anode		
5		1	Bellows, U joint		replaced by next part number
	3841481	1	Bellows kit		clamp included
6	3852151	3	Hexagon screw, Support hsg to gimbal hsg		
7	3852602	2	Hose clamp, Water hose		
8	3852557	2	Washer, Gimbal to gimbal hsg		
9	3853458	2	Washer, Trim sender to gimbal		
10		2	Washer, Anode		
11	3852201	2	Hexagon screw, Clamp, oil line assy, gimbal hsg		
12	3852239	1	Pin connector, Sending unit (3 pin)		
13	3852533	1	Nipple, Water inlet		
14	3852534	1	Nut, Nipple, water intet		
15	3852535	1	O-ring, Nipple		
16	3852313	1	Retainer, Shift cable		
17	3852665	1	Retainer, Bellows to pivot hsg, exhaust		
18	3855960	1	Shaft, Steering pivot		
19		2	Washer, Screw, clamp, oil assy, gimbal hsg		
20	3852316	2	Screw, Gimbal to pivot		
21	3852554	1	Washer, Steering arm		
22	3854246	1	Cardboard tube		
23	3852380	1	Bracket		
24	3850426	1	Bellows		
			• Bulletin P-44-1-20	P-44-1-20-EN	Exhaust Bellows, problems with aftermarket parts
25	3852591	1	Screw, Steering arm to gimbal		
26	3852379	1	Arm		
27	3853929	1	Chassie ground cable, Pivot housing to gimbal		
28	3852352	1	Hose, Water intet		
29	948616	1	Cable tie, Water intet to hose		
30	3852682	2	Screw, Cover steering arm		
31	3852537	1	O-ring, Sleeve & connector assy to gimbal hsg		
32	3855005	1	Cover, Gimbal hsg		
33		2	Clamp, Dit line assy, gimbal hsg		
34	3852473	2	Screw, Cap to gimbal hsg		
35	3852603	1	Hose clamp, Exhaust bellows		
36	3852604	1	Hose clamp, U joint bellows		
37	3854863	1	Suspension fork		
38	941814	4	Stud, Gearcase to upper gear hsg		
39	3852585	1	Plate, Steering arm mounting		
40	3851976	1	Housing		
	3851975	1	• Plug, Hole, accessory access		
	3852193	1	• Washer		
41	3852953	4	• Thread insert, Exhaust pipe		
42	3852515	3	• Insert, Threaded, 318-16		
43	3852513	2	• Insert, Threaded, 5116-18		
44	3852567	2	• Insert, Steering cover		
45	3852005	1	• Nut, Stud, manifold block		
46	3852121	1	• Fitting, Tube, U joint bearing		
47	3852141	1	• Stud, Manifold block		
48	3852169	1	• O-ring		
49	3852546	4	• Stud, Transom, long		
50	3852547	1	• Bearing, Upper steering		
51	3852548	1	• Sealing, Drive shaft		
52	3852549	1	• Pin, Support housing		
53	3852550	1	• Sealing, Transom		
54	3852559	1	• Block		
55		1	• Sealing		kit 3587651
56	3852564	1	• Tube, Grease fitting		

SX-C, SX-C1, SX-C2, SX-R, SX-C1AC, SX-R1, SX-R2, SX-CLT, SX-CLT1

REF	PART NO.	QTY	DESCRIPTION	SEE SEC.	NOTES
57	3852576	2	• Stud, Transom, short		
58	3853807	1	• Bearing, U joint (does not include SX-R2)		
	3855707	1	• Ball bearing, U joint (SX-R2; diesel only))		
59	3852526	2	• Insert		
60	3852454	2	• Screw, Retainer, water tube		
61	3852556	1	• Bushing, Water tube		
62	3853880	1	• Pipe, Gimbal hsg		
63	3852555	1	• Retainer, Plug to gimbal hsg		
64	3852193	1	Washer, Stud, manifold block		
65	3850694	1	Cable sleeve		
66	3855350	1	Housing		
67	3852523	1	• O-ring		Incl. in transom seal kit
68	3852536	1	• Plug		
69	3852697	2	• Washer, Gimbal to pivot hsg		Incl. in transom seal kit
70	3852558	2	• Washer, Pivot screw, pivot hsg		
71	3852551	6	• Stud, Pivot to gear hsg		
72	3852514	1	• Insert		
73		3	Washer, Steering support brkt to gimbal hsg		
74	3855535	1	Bracket		
75		2	Terminal, Socket		
76		1	Cable tie, Trim sender lead to grease tube		
77	3854270	1	Sealing kit		
78	3853423	12	• Bushing, Pivot pin, trim & tilt cylinder		Incl. in transom seal kit
79	3852677	1	• Gasket, Cap, gimbal hsg		Incl. in transom seal kit
80	3852557	1	• Washer, Gimbal to support bracket		Incl. in transom seal kit
81	3852560	1	• Sealing, Water passage		Incl. in transom seal kit
82	3852544	3	• Bearing, Steering & tilt		Incl. in transom seal kit
83	3852192	2	Hexagon screw, Anode		
	940172	2	Hexagon screw, Anode		Diesel; not shown
	3851823	2	Spacer, Anode		Diesel; not shown
84	3852193	2	Washer, Ground strap		
85	3852545	2	Dowel, Steering arm		
86	3852571	1	Sleeve, Gimbal		
87	3852081	2	Screw		Trim sender
88	3855610	1	Magnesium anode		
	3854130	1	Anode		
			• Bulletin P-44-1-1	P-44-1-1-EN	Anodes, SX AND DP-S
89	3852050	2	Screw		
90	3851984	1	Protection against c		
91	3851985	1	• Sensor		
92	3855793	1	• Wiring harness		
93	3851972	1	• Electronic unit		
94	3855728	2	• Hexagon screw		
95	3852044	1	O-ring		

SX-C, SX-CT, SX-R



12475

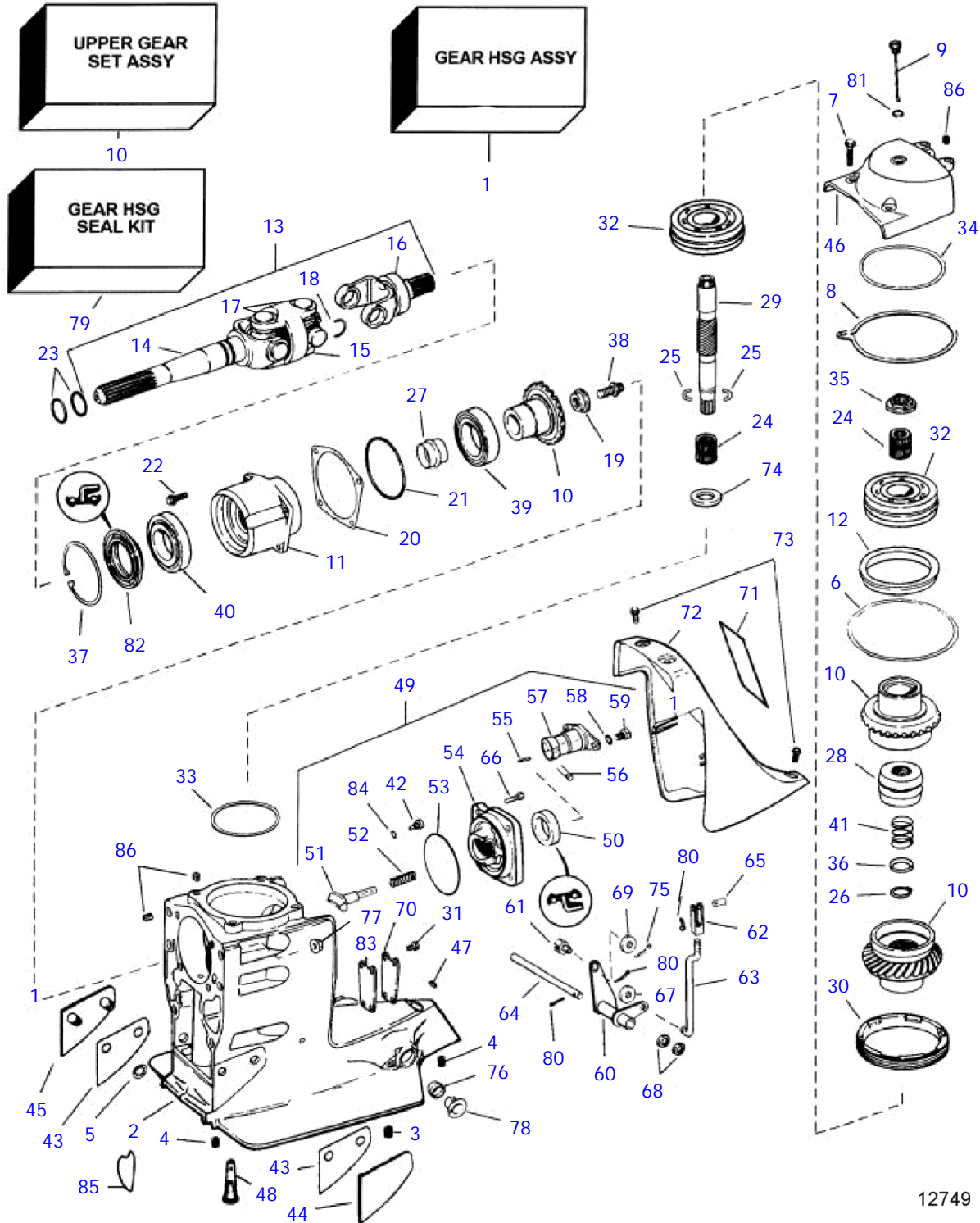
SX-C, SX-CT, SX-R

REF	PART NO.	QTY	DESCRIPTION	SEE SEC.	NOTES
1	3855103	1	Upper gear		
2		1	• Gear housing		
3	3852541	1	• • Insert		7/16" - 14 UNC
4	3852567	1	• • Insert		5/16" - 18UNC, Short
5	3852515	5	• • Insert		3/8" - 16 UNC
6	3852513	8	• • Insert		5/16" - 18UNC
7	3852516	4	• Ring, Thrust plate		
8	3852363	1	• Shim, Upper bearing, 0.002 in		
	3852364	1	• Shim, Upper bearing, 0.003 in		
	3852365	1	• Shim, Upper bearing, 0.004 in		
	3852366	1	• Shim, Upper bearing, 0.005 in		
	3852367	1	• Shim, Upper bearing, 0.010 in		
9	3850629	4	• Screw, Top cover		
10	3852317	1	• Gasket, Top cover		Contents of upper gear housing seal kit
11	3852045	1	• O-ring, Oil fill plug		Contents of upper gear housing seal kit
12	3854847	1	• Turn signal, Oil indicator		
13	3851505	1	• Gear set, Pinion & drive gears		replaced by next part number
	3851203	1	• Gear		replaced by next part number
	21130692	1	• Kit		contains gear set, sliding sleeve & shoe
14		2	• • Gear		
15		1	• • Pinion		
16	3852267	1	• Bearing, Pinion		
17	3852269	1	• Ring, Upper bearing support		
18	3852384	1	• Universal joint		
			• Bulletin P-44-1-5	P-44-1-5-EN	U-joints
19	3850815	1	• Yoke, Yoke		
20	3850813	1	• • Spacer		
21	3850814	1	• • Yoke, Yoke		
22	3850812	2	• • Spider		
23		4	• • Locking clip, U-joint		
24	3852310	1	• Washer, Pinion gear		
25	3852272	1	• Sealing, U joint to bearing carrier		Contents of upper gear housing seal kit
26	3852355	1	• Shim, Bearing carrier, 0.003 in		
	3852356	1	• Adjusting washer, Bearing carrier, 0.004 in		
	3852357	1	• Adjusting washer, Bearing carrier, 0.005 in		
	3852358	1	• Adjusting washer, Bearing carrier, 0.010 in		
27	3852308	1	• O-ring, Bearing carrier		Contents of upper gear housing seal kit
28	3852454	4	• Screw, Bearing carrier		
29	3852565	2	• O-ring, U joint		
30	3852390	2	• Bearing, Drive gear		
31	3852279	1	• Gasket, Water passage		Contents of upper gear housing seal kit
32	3852295	1	• Locking clip, Upper driveshaft		
33	3852299	1	• Snap ring, Spring		
34	3852304	1	• Sleeve, Pretension		
35	873312	1	• Sliding sleeve		
			• Bulletin P-44-1-8	P-44-1-8-EN	Shift mechanism, shift cone and shoe
			• Bulletin P-44-1-18	P-44-1-18-EN	Shift Cone
36	3852292	1	• Spindle, Upper		
37	3852262	1	• Ring, Bearing retainer		
38	3852373	4	• Screw, Water passage		
39	3852389	2	• Bearing, Drive gear		
40	3852368	1	• Shim, Lower bearing, 0.002 in		
	3852369	1	• Shim, Lower bearing, 0.003 in		
	3852370	1	• Shim, Lower bearing, 0.004 in		
	3852371	1	• Shim, Lower bearing, 0.005 in		
	3852372	1	• Shim, Lower bearing, 0.010 in		
41	3852368	1	• Shim, Upper cover, 0.002 in		

SX-C, SX-CT, SX-R

REF	PART NO.	QTY	DESCRIPTION	SEE SEC.	NOTES
	3852369	1	• Shim, Upper cover, 0.003 in		
	3852370	1	• Shim, U er cover, 0.004 in		
	3852371	1	• Shim, Upper cover, 0.005 in		
	3852372	1	• Shim, Upper cover, 0.010 in		
42	3852301	1	• Nut, Upper driveshaft, 0.000 in		
	3852302	1	• Nut, Upper driveshaft, 0.008 in		
	3852303	1	• Nut, Upper driveshaft, 0.016 in		
	3852375	1	• Nut, Upper driveshaft, 0.024 in		
43	3852298	1	• Spacer, Spring		
44	3852307	1	• Lock ring, Seal		
45	3852309	1	• Screw, Pinion gear retainer		
46	3850852	1	• Bearing, Pinion to inner carrier		
47	3850853	1	• Bearing, Pinion to outer carrier		
48	3852296	1	• Spring, Clutch cone to shaft		
49	3854539	1	• Plug, Oil plug		
50	3855081	1	O-ring, Oil plug		Contents of upper gear housing seal kit
51	3852563	X	• Adjusting washer, Thrust plate, 0.015 in		
52	3852561	1	• Pressure plate, Thrust, port		
53	3852562	1	• Pressure plate, Thrust, starboard		
54	3854401	1	• Bearing cover, Upper gear unit		
55	3852513	2	• • Insert, Threaded, 5/16-18		
56	3854021	1	• Strainer, Oil sump		
57	839504	1	• Shift mechanism		
58	814603	1	• • Dog		
59	814184	1	• • Spring, Shift shoe		
60	925093	1	• • O-ring, Shift actuator		Contents of upper gear housing seal kit
61	873291	1	• • Sealing ring, Shift actuator		
62	853868	1	• • Sealing ring, Shift actuator		Contents of upper gear housing seal kit
63	951924	1	• • Spring pin, Tension		
64	942871	1	• • Clevis pin, Eccentric piston		
65	897816	1	• • Eccentric piston		
			• Bulletin P-44-1-7	P-44-1-7-EN	Shift mechanism, eccentric piston
66	897871	4	• • Shim, Shift shoe		
67	897711	1	• • Screw, Shift shoe stop		
68	3852276	1	• Bracket, Shift		
69	3852329	1	• Cube, Cable to bellcrank		
70	3852328	1	• Fork, Shift link		
71	3852278	1	• Link, Bellcrank to piston		
72	3854480	3	• Split pin		
73	3852277	1	• Bar, Bellcrank		
74	3852330	1	• Clevis pin, Shift link to piston		
75	3852353	4	• Screw, Shift housing		
76	3852184	1	• Washer, Shift		
77	3852193	2	• Washer, Bellcrank		
78	3852083	2	• Washer, Shift link		
79	3852280	1	• Plate, Waterpassage		
80	3855356	1	• Decal, Cover		
81	3852418	1	• Cover, Shift mechanism		
82	3852568	3	• Screw, Cover		
83	3852294	1	• Ring, Spacer		
84	3854480	1	• Split pin, Shift cable		
85	3853423	2	Bushing, Pivot pin		
86	3853329	6	Nut, Drive to pivot housing		
87	3853424	2	Grommet, Pivot pin bushing		
88	3850594	1	Kit		
89	3852560	1	Sealing, Water passage		Contents of upper gear housing seal kit
90	3855357	2	Decal, SX, port & starboard		

SX-C1, SX-CT1, SX-RT1, DP-S



12749

SX-C1, SX-CT1, SX-RT1, DP-S

REF	PART NO.	QTY	DESCRIPTION	SEE SEC.	NOTES
1	3868392	1	Drive, Complete assy, SX-C1 (1.43:1)		Not shown
	3868393	1	Drive, Complete assy, SX-C1 (1.51:1)		Not shown
	3868394	1	Drive, Complete assy, SX-C1 (1.60:1)		Not shown
	3868395	1	Drive, Complete assy, SX-C1 (1.66:1)		Not shown
	3868398	1	Drive, Complete assy, SX-RT1 (1.66:1)		Not shown
	3868166	1	Drive unit, Complete assy, DP-S (1.68:1)		Not shown
	3868165	1	Drive unit, Complete assy, DP-S (1.78:1)		Not shown
	3868465	1	Drive, Complete assy, SX-C1 (1.85:1)		Not shown
	3868396	1	Drive, Complete assy, SX-CT1(1.85:1)		Not shown
	3868164	1	Drive unit, Complete assy, DP-S (1.95:1)		Not shown
	3868397	1	Drive, Complete assy, SX-CT1(1.97:1)		Not shown
	3868333	1	Drive, Complete assy, SX-RT1 (2.18:1)		Not shown
	3868163	1	Drive unit, Complete assy, DP-S (2.30:1)		Not shown
	3856181	1	Housing, Upper, 22.23		SX, 1.43, 1.51, 1.60, 1.66, 1.85
	3855699	1	Gear housing		DP-S
	3855700	1	Gear housing, Upper, 21.26		SX, 1.97, 2.18
2	3855775	1	Gear housing, Upper, gasoline		
	3855700	1	Gear housing, Upper, diesel		
3	3852541	1	• Insert		7/16" - 14 UNC
4	3852515	5	• Insert		3/8" - 16 UNC
5	3852516	4	Ring, Thrust plate to upper gear		
6	3852363	1	Shim, Upper bearing, 0.002 in		
	3852364	1	Shim, Upper bearing, 0.003 in		
	3852365	1	Shim, Upper bearing, 0.004 in		
	3852366	1	Shim, Upper bearing, 0.005 in		
	3852367	1	Shim, Upper bearing, 0.010 in		
7	3850629	4	Screw, Top cover to upper gear hsg		
8	3852317	1	Gasket, Top cover to upper gear hsg		
9	3854847	1	Turn signal, Oil indicator, upper gear hsg cover		
10	3851505	1	Gear set, Pinion & drive gears		SX, 1.43, 1.51, 1.60, 1.66, 1.85, replaced by next part number
	3851203	1	Gear		DP-S, replaced by next part number
	21130692	1	Kit		contains gear set, sliding sleeve & shoe
	3851793	1	Gear, Pinion & drive gears		SX, 1.97, 2.18, replaced by next part number
	3856996	1	Gear set		replaced by next part number
	21130693	1	Kit		contains gear set, sliding sleeve & shoe
		2	• Gear		
		1	• Pinion		
11	3852267	1	Bearing, Pinion		
12	3852269	1	Ring, Upper bearing support		
13	3852384	1	Universal joint		
			• Bulletin P-44-1-5	P-44-1-5-EN	U-joints
14	3850815	1	• Yoke, Yoke		
15	3850813	1	• Spacer		
16	3850814	1	• Yoke, Yoke		
17	3850812	2	• Spider		
18		4	• Locking clip, U joint		
19	3852310	1	Washer, Pinion gear		
20	3852355	1	Shim, Bearing carrier, 0.003 in		
	3852356	1	Adjusting washer, Bearing carrier, 0.004 in		
	3852357	1	Adjusting washer, Bearing carrier, 0.005 in		
	3852358	1	Adjusting washer, Bearing carrier, 0.010 in		
21	925095	1	O-ring, Bearing carrier		
22	3852454	4	Screw, Pinion brg carrier to upper gear hsg		

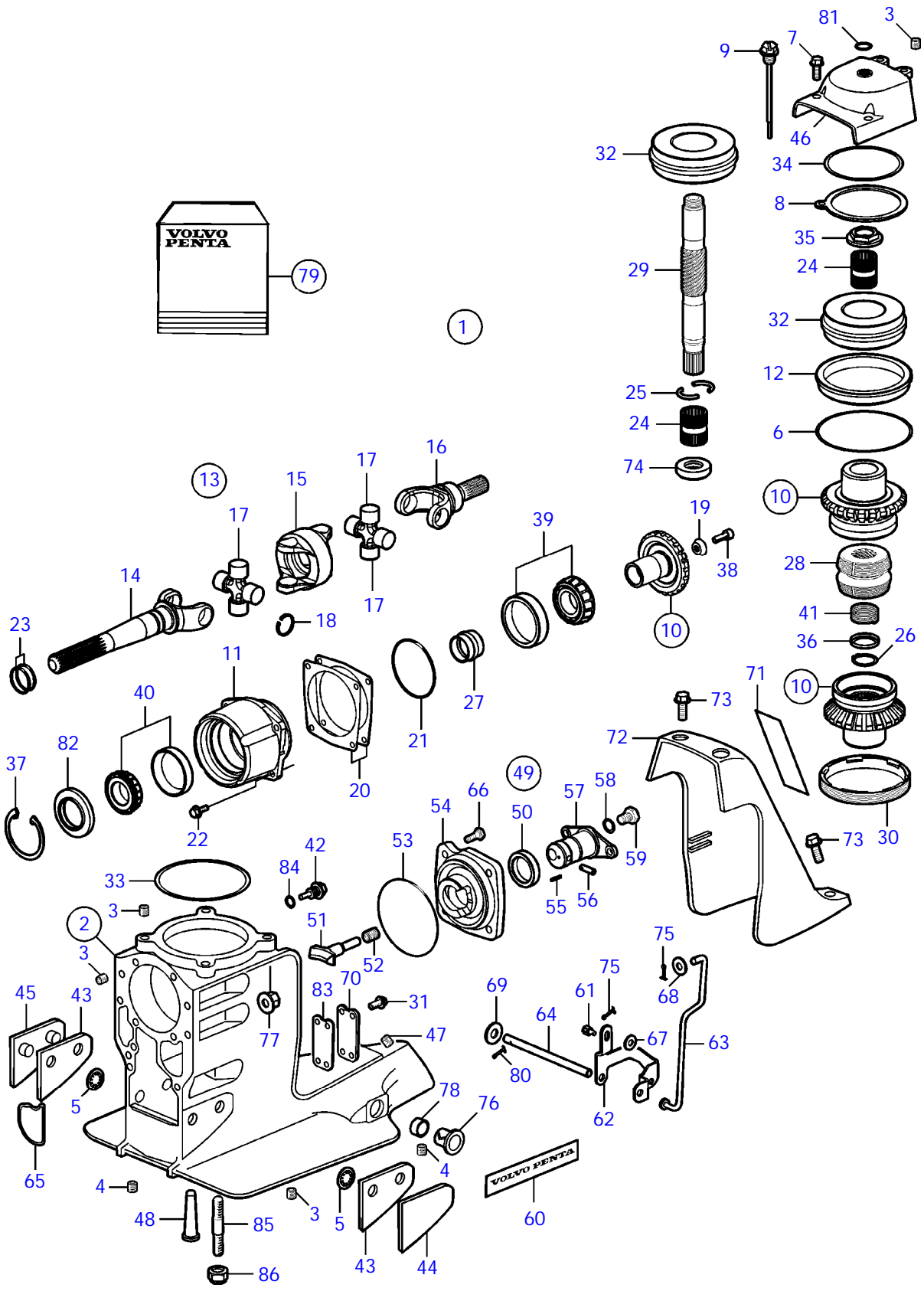
SX-C1, SX-CT1, SX-RT1, DP-S

REF	PART NO.	QTY	DESCRIPTION	SEE SEC.	NOTES
23	3852565	2	O-ring, U joint		
24	3852390	2	Bearing, Drive gear		
25	3852295	2	Locking clip, Upper drive shaft		
26	951078	1	Snap ring		
27	3852304	1	Sleeve, Crush		
28	873312	1	Sliding sleeve		
			• Bulletin P-44-1-8	P-44-1-8-EN	Shift mechanism, shift cone and shoe
			• Bulletin P-44-1-18	P-44-1-18-EN	Shift Cone
29	3852292	1	Spindle, Upper drive		
30	3852262	1	Ring, Lower bearing		
31	3852373	4	Screw, Water passage plate & gasket		To upper gear hsg
32	3852389	2	Bearing, Drive gear		
33	3852368	1	Shim, Lower bearing, 0.002 in		
	3852369	1	Shim, Lower bearing, 0.003 in		
	3852370	1	Shim, Lower bearing, 0.004 in		
	3852371	1	Shim, Lower bearing, 0.005 in		
	3852372	1	Shim, Lower bearing, 0.010 in		
34	3852368	1	Shim, Upper cover, 0.002 in		
	3852369	1	Shim, Upper cover, 0.003 in		
	3852370	1	Shim, Upper cover, 0.004 in		
	3852371	1	Shim, Upper cover, 0.005 in		
	3852372	1	Shim, Upper cover, 0.010 in		
35	3852301	1	Nut, Upper drive shaft, 0.000 in		
	3852302	1	Nut, Upper drive shaft, 0.008 in		
	3852303	1	Nut, Upper drive shaft, 0.016 in		
	3852375	1	Nut, Upper drive shaft, 0.024 in (0.60 mm)		
36	3852298	1	Spacer, Spring		
37	914538	1	Snap ring, Seal, U-joint assy		
38	3852309	1	Screw, Washer, pinion to U-joint assy		
39	3850852	1	Bearing, Bearing carrier, pinion, rear		
40	3850853	1	Bearing, Pinion to outer carrier		
41	3852296	1	Spring, Clutch cone to shaft		
42	3854539	1	Plug, Oil drain, gear hsg		
43	3852563	2	Adjusting washer, Thrust plate, 0.015 in		
44	3852561	1	Pressure plate, Gear hsg, port		
45	3852562	1	Pressure plate, Gear hsg, stbd		
46	3854401	1	Bearing cover, Upper gear unit, top		
47	3852567	2	• Insert, Threaded, .5116-18, short		
48	3854021	1	Strainer, Dil sump		
49	839504	1	Shift mechanism, Upper gear hsg, rear		
50	873291	1	• Sealing ring		
51	814603	1	• Dog		
52	814184	1	• Spring, Shift shoe		
53	925093	1	• O-ring, Shift actuator		Part of gear hsg seal kit
54	839505	1	• Bearing housing		
55	951924	1	• Spring pin		
56	942871	1	• Clevis pin		
57	897816	1	• Eccentric piston		
			• Bulletin P-44-1-7	P-44-1-7-EN	Shift mechanism, eccentric piston
58	897871	4	• Shim		
59	897711	1	• Screw		
60	3852276	1	Bracket, Shift		
61	3852329	1	Cube, Shift cable to bellcrank		
62	3852328	1	Fork, Shift link		
63	3852278	1	Link, Bellcrank to piston		
64	3852277	1	Bar, Bell crank		
65	192662	1	Split pin, Shift link to piston		
66	3856742	4	Screw, Shift hsg to upper gear hsg		
67	3852182	1	Washer, Trunnion, shift cable to bellcrank		
68	3852193	2	Washer, Shift link to bellcrank		
69	3852083	1	Washer, Bellcrank to gear hsg		
70	3852280	1	Plate, Water passage		

SX-C1, SX-CT1, SX-RT1, DP-S

REF	PART NO.	QTY	DESCRIPTION	SEE SEC.	NOTES
71	3855356	1	Decal, VP SX Cobra		
	3855360	1	Decal, VP SX Diesell		
72	3852418	1	Cover, Shift mechanism		
73	3852568	3	Screw, Cover		
74	3852294	1	Ring, Spacer		
75	3854480	1	Split pin, Trunnion shift cable to bellcrank		
76	3853423	2	Bushing, Pivot pin		
77	3853329	6	Nut, Drive to pivot hsg		
78	3853424	2	Grommet, Pivot pin bushing		
79	3850594	1	Kit, Upper gear hsg		
80	3852052	3	• Split pin		
81	3852045	1	• O-ring, Oil fail plug		
82	3852272	1	• Sealing, U joint to bearing carrier		
83	3852279	1	• Gasket, Water passage		
84	3852105	1	• Washer, Oil drain plug		
85	3852560	1	• Sealing, Water passage		
86	3852513	2	Insert		5/16" - 18UNC
		2	Decal, SX Cobra, gasoline		Not shown
	3855645	2	Decal, SX, diesel		Not shown
	3855646	2	Decal, DP-S, upper gear, port & stbd		Not shown
	3855647	2	Decal, DP-S, upper gear hsg cover		Not shown

SX-C2, SX-RT2, DP-S1



24554



SX-C2, SX-RT2, DP-S1

REF	PART NO.	QTY	DESCRIPTION	SEE SEC.	NOTES
1	3857007	1	Upper gear, Upper, 22:23		1.43, 1.51, 1.60, 1.66, 1.78, 1.85, 1.95
	3801180	1	Upper gear, exch, Upper, 22:23, exch		1.43, 1.51, 1.60, 1.66, 1.78, 1.85, 1.95
	3857010	1	Upper gear, Upper, 21:26		1.79, 1.89, 1.97, 2.18, 2.32
	3801181	1	Upper gear, exch, Upper, 21:26, exch		1.79, 1.89, 1.97, 2.18, 2.32
2	3855775	1	Gear housing, Upper		
3	3852541	1	• Insert		7/16" - 14 UNC
	3852513	9	• Insert		5/16" - 18UNC
4	3852515	5	• Insert		3/8" - 16 UNC
5	3852516	4	Ring, Thrust plate to upper gear		
6	3852363	1	Shim, Upper bearing, 0.002 in		0.05 mm; as required
	3852364	1	Shim, Upper bearing, 0.003 in		0.08 mm; as required
	3852365	1	Shim, Upper bearing, 0.004 in		0.10 mm; as required
	3852366	1	Shim, Upper bearing, 0.005 in		0.13 mm; as required
	3852367	1	Shim, Upper bearing, 0.010 in		0.25 mm; as required
7	3850629	4	Screw, Top cover to upper gear hsg		
8	3852317	1	Gasket, Top cover to upper gear hsg		
9	3854847	1	Turn signal, Oil indicator, upper gear hsg cover		
10	3851505	1	Gear set		1.43, 1.51, 1.60, 1.66, 1.78, 1.85, 1.95, replaced by next part number
	3851203	1	Gear		DP-S1 - 1.68, 1.78, 1.95 only, replaced by next part number
	21130692	1	Kit		contains gear set, sliding sleeve & shoe
	3851793	1	Gear		1.79, 1.89, 1.97, 2.18, 2.32, replaced by next part number
	3856996	1	Gear set		replaced by next part number
	21130693	1	Kit		contains gear set, sliding sleeve & shoe
		2	• Gear		
		1	• Pinion		
11	3852267	1	Bearing, Pinion		
12	3852269	1	Ring, Upper bearing support		
13	3852384	1	Universal joint		
			• Bulletin P-44-1-5	P-44-1-5-EN	U-joints
14	3850815	1	• Yoke		
15	3850813	1	• Spacer		
16	3850814	1	• Yoke		
17	3850812	2	• Spider		
18		4	• Locking clip, U-joint		
19	3852310	1	Washer, Pinion gear		
20	3852355	1	Shim, Bearing carrier, 0.003 in (0.08 mm)		
	3852356	1	Adjusting washer, Bearing carrier, 0.004 in (0.10 mm)		
	3852357	1	Adjusting washer, Bearing carrier, 0.005 in (0.13 mm)		
	3852358	1	Adjusting washer, Bearing carrier, 0.010 in (0.25 mm)		
21	3852308	1	O-ring, Bearing carrier		
22	3852454	4	Screw, Pinion brg carrier to upper gear hsg		
23	3852565	2	O-ring, U joint		
24	3852390	2	Bearing, Drive gear		
25	3852295	2	Locking clip, Upper drive shaft		
26	3852299	1	Snap ring, Spring		
27	3852304	1	Sleeve, Bearings, input gear		
28	3855783	1	Sliding sleeve		
			• Bulletin P-44-1-18	P-44-1-18-EN	Shift Cone
29	3852292	1	Spindle, Upper		
30	3852262	1	Ring, Lower bearing		
31	3852373	4	Screw, Water passage plate & gasket		
32	3852389	2	Bearing, Drive gear		
33	3852368	1	Shim, Lower bearing, 0.002 in		0.05 mm; as required
	3852369	1	Shim, Lower bearing, 0.003 in		0.08 mm; as required

SX-C2, SX-RT2, DP-S1

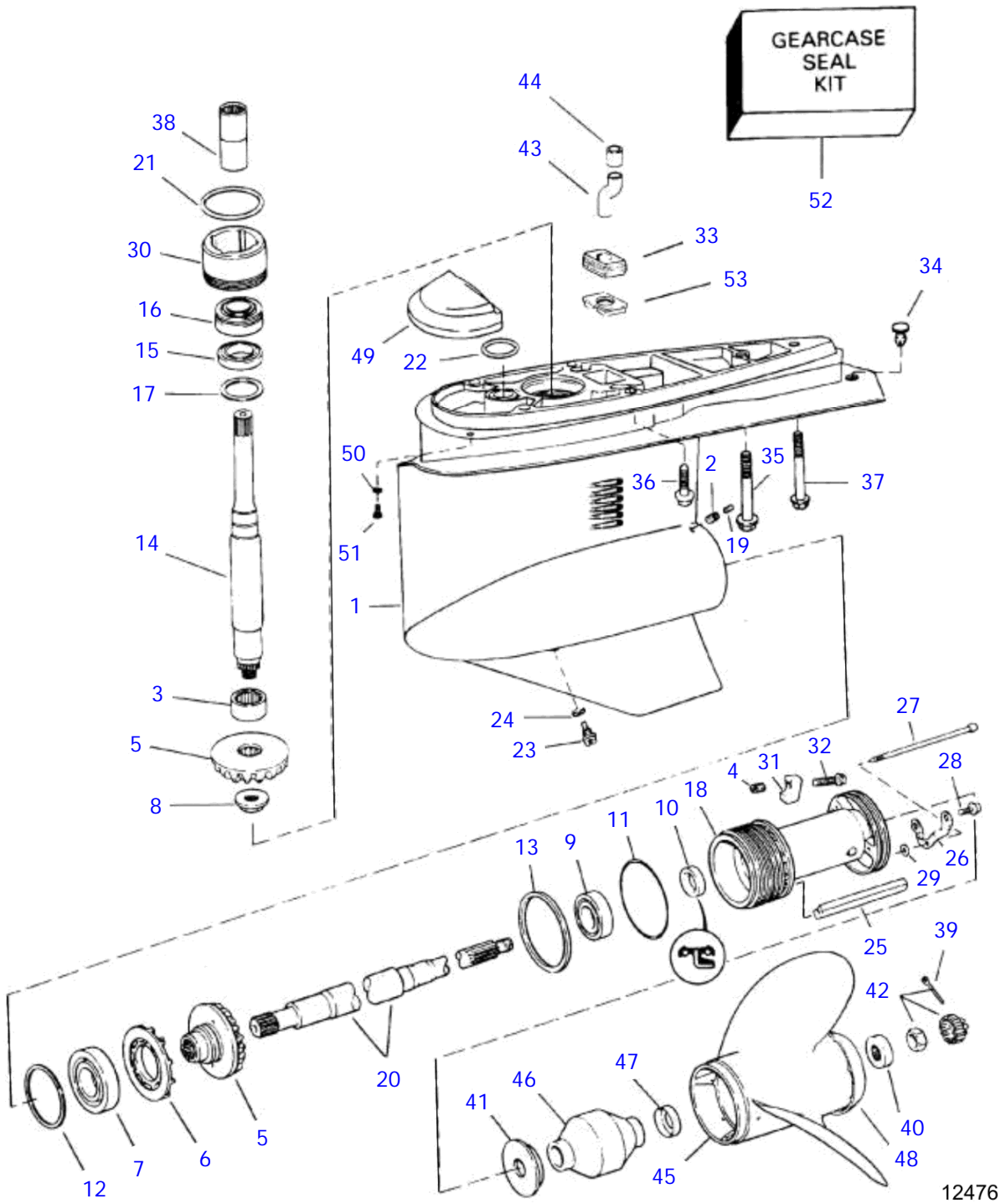
REF	PART NO.	QTY	DESCRIPTION	SEE SEC.	NOTES
	3852370	1	Shim, Lower bearing, 0.004 in		0.10 mm; as required
	3852371	1	Shim, Lower bearing, 0.005 in		0.13 mm; as required
	3852372	1	Shim, Lower bearing, 0.010 in		0.25 mm; as required
34	3852368	1	Shim, Upper cover, 0.002 in		0.05 mm; as required
	3852369	1	Shim, Upper cover, 0.003 in		0.08 mm; as required
	3852370	1	Shim, Upper cover, 0.004 in		0.10 mm; as required
	3852371	1	Shim, Upper cover, 0.005 in		0.13 mm; as required
	3852372	1	Shim, Upper cover, 0.010 in		0.25 mm; as required
35	3852301	1	Nut, Upper drive shaft, 0.000 in		As required
	3852302	1	Nut, Upper drive shaft, 0.008 in		0.2 mm; as required
	3852303	1	Nut, Upper drive shaft, 0.016 in		0.4 mm; as required
	3852375	1	Nut, Upper drive shaft, 0.024 in		0.6 mm; as required
36	3852298	1	Spacer, Spring		
37	3852307	1	Lock ring, Seal, U-joint assy		
38	3852309	1	Screw, Washer, pinion to U-joint assy		
39	3850852	1	Bearing, Bearing carrier, pinion		Rear
40	3850853	1	Bearing, Pinion to outer carrier		
41	3852296	1	Spring, Clutch cone to shaft		
42	3854539	1	Plug		
43	3852563	1	Adjusting washer, Thrust plate, 0.015		0.38 mm; as required
44	3852561	1	Pressure plate, Gear hsg, port		
45	3852562	1	Pressure plate, Gear hsg, stbd		
46	3854401	1	Bearing cover, Upper gear unit, top		
47	3852567	2	• Insert		5/16" - 18UNC, Short
48	3854021	1	Strainer, Gear hsg		
49	3855787	1	Shift unit, Upper gear hsg		Rear
50	853868	1	• Sealing ring		
51	3856502	1	• Dog		
52	814184	1	• Spring, Shift shoe		
53	925093	1	• O-ring, Shift actuator		Part of gear hsg seal kit
54	3855785	1	• Bearing housing		
55	973593	1	• Spring pin, 2 x 12		
56	942871	1	• Clevis pin, 5 x 18		
57	3856008	1	• Plunger		
58	897871	1	• Shim		As required
59	897711	1	• Screw		
60		2	Decal		SX
	3855645	2	Decal		SX, Diesel
	3855646	2	Decal		DP Duoprop
61	3852329	1	Cube, Shift cable to bellcrank		
62	3857218	1	Bracket, Shift linkage		
63	3857217	1	Link rod, Shift linkage		
64	3852277	1	Bar, Shift		
65	3852560	1	Sealing		
66	3856742	4	Screw, Shift hsg to upper gear hsg		
67	3852184	1	Washer, Trunnion, shift cable to bellcrank		
68	3852193	2	Washer, Shift link to bellcrank		
69	3852083	1	Washer, Pin, bellcrank to gear hsg		
70	3852280	1	Plate, Water passage		
71	3855356	1	Decal		SX
	3855360	1	Decal		SX, Diesel
	3855647	1	Decal		DP Duoprop
72	3852418	1	Cover, Upper gear housing		Rear
73	3852568	3	Screw, Cover		
74	3852294	1	Ring, Upper driveshaft		
75	3854480	1	Split pin, Trunnion shift cable to bellcrank		
76	3853423	2	Bushing, Pivot pin		
77	3853329	6	Nut, Drive to pivot hsg		
78	3853424	2	Grommet, Pivot pin bushing		
79	3850594	1	Kit, Upper gear hsg		
80	3852052	3	Split pin		
81	3852045	1	O-ring, Plug, upper gear housing cover		
82	3852272	1	Sealing, U-joint to bearing carrier		
83	3852279	1	Gasket, Water passage		
84	3855081	1	O-ring, Oil drain plug		
85	941814	4	Stud, Water passage		DP-S1

SX-C2, SX-RT2, DP-S1

REF	PART NO.	QTY	DESCRIPTION	SEE SEC.	NOTES
86	941885	4	Lock nut		DP-S1



SX-C, SX-CT, SX-R



SX-C, SX-CT, SX-R

REF	PART NO.	QTY	DESCRIPTION	SEE SEC.	NOTES
1	3855213	1	Gear housing		1.85:1
	3855214	1	Gear housing		1.66:1
	3855216	1	Gear housing		1.60:1
	3855215	1	Gear housing		1.51:1
	3855236	1	Gear housing		1.43:1
	3855084	1	• Drive unit		
2	3852567	1	• • Insert, 5/16-18, short		
3	3853934	1	• • Bearing, Pinion		
4	3852515	1	• • Insert, Prop shaft retainer		
5	3852405	1	• Drive gear set		1.85:1
	3852404	1	• Drive gear set		1.66:1
	3852403	1	• Drive gear set		1.60:1
	3852402	1	• Drive gear set		1.51:1
	3854814	1	• Gear set		1.43:1
6	3853941	1	• Rotor		
7	3850942	1	• Bearing, Gear to gearcase		
8	3851003	1	• Nut, Pinion to driveshaft		
9	3854249	1	• Roller bearing, Prop shaft hsg		
10	3853474	1	• Seal, Prop shaft hsg		Contents of Lower Gearcase Seal Kit
11	3852865	1	• O-ring, Propeller shaft hsg		Contents of Lower Gearcase Seal Kit
12	3850695	1	• Shim, Gear position, 0.002 in		
	3852886	1	• Shim, Gear position, 0.003 in		
	3852885	1	• Shim, Gear position, 0.004 in		
	3852887	1	• Shim, 0.005 in		
	3852888	1	• Shim, Gear position, 0.010 in		
13	3852881	1	• Ring, Shim, prop shaft hsg., 0.096 in		
	3852882	1	• Ring, Shim, prop shaft hsg., 0.098 in		
	3852868	1	• Ring, Shim, prop shaft hsg., 0.100 in		
	3852869	1	• Ring, Shim, prop shaft hsg., 0.102 in		
	3852870	1	• Ring, Shim, prop shaft hsg., 0.104 in		
	3852871	1	• Ring, Shim, prop shaft hsg., 0.106 in		
	3852872	1	• Ring, Shim, prop shaft hsg., 0.108 in		
	3852873	1	• Ring, Shim, prop shaft hsg., 0.110 in		
	3852874	1	• Ring, Shim, prop shaft hsg., 0.112 in		
	3852875	1	• Ring, Shim, prop shaft hsg., 0.114 in		
	3852870	1	• Ring, Shim, prop shaft hsg., 0.116 in		
	3852877	1	• Ring, Shim, prop shaft hsg., 0.118 in		
	3852878	1	• Ring, Shim, prop shaft hsg., 0.120 in		
	3852879	1	• Ring, Shim, prop shaft hsg., 0.122 in		
	3852880	1	• Ring, Shim, prop shaft hsg., 0.124 in		
14	3851342	1	• Countershaft, Lower		
15	3854249	1	• Roller bearing, Driveshaft, lower		
16	3854250	1	• Roller bearing, Driveshaft, upper		
17	3852889	1	• Shim, Pinion position, 0.003 in		
	3852890	1	• Shim, Pinion position, 0.004 in		
	3852891	1	• Shim, Pinion position, 0.005 in		
	3852892	1	• Shim, Pinion position, 0.010 in		
18	3853492	1	• Housing, Propeller shaft		
19	3853272	1	• Screw, Prop shaft hsg		
20	3852271	1	• Propeller shaft		

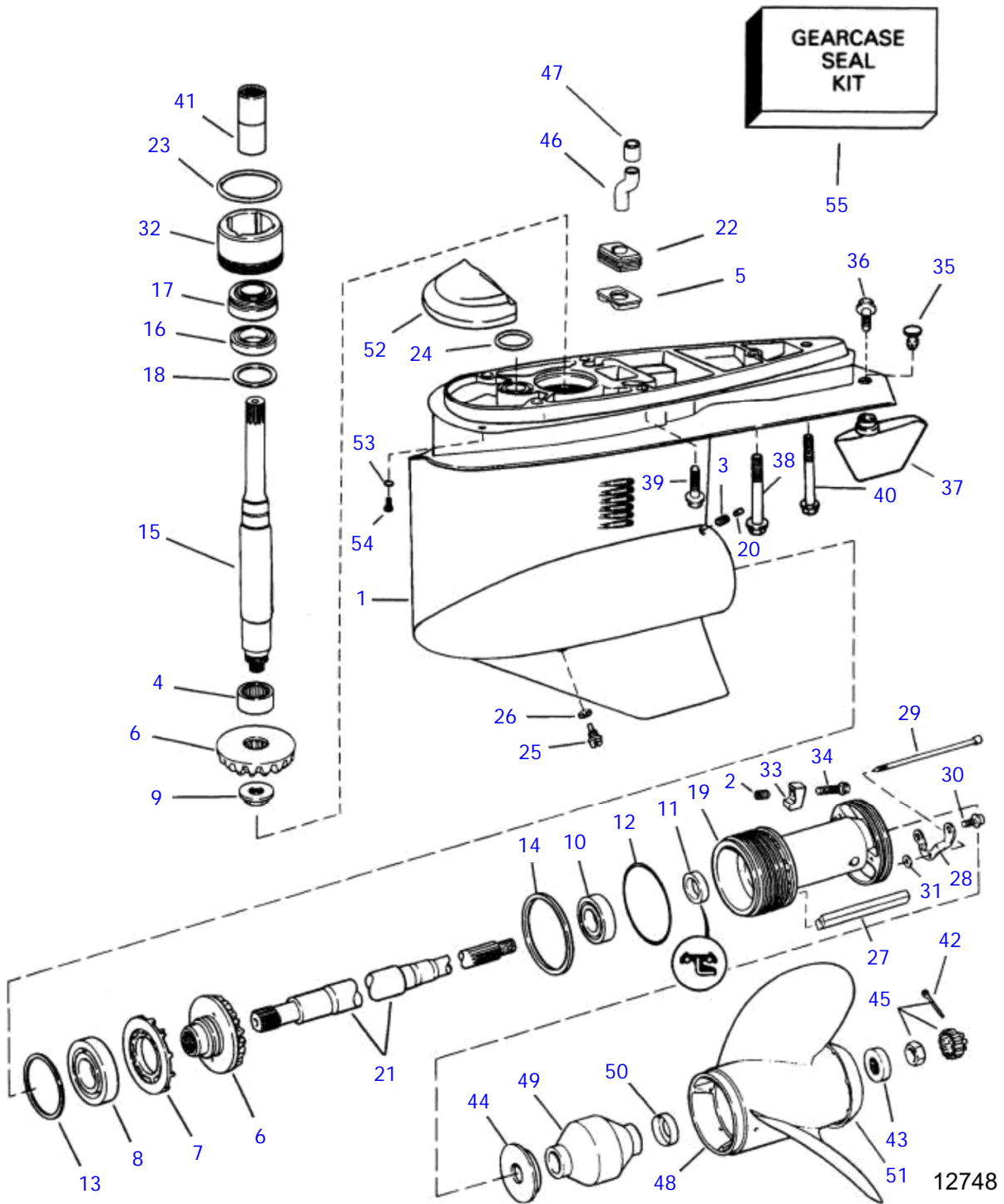
SX-C, SX-CT, SX-R

REF	PART NO.	QTY	DESCRIPTION	SEE SEC.	NOTES
21	3852866	1	• O-ring		Contents of Lower Gearcase Seal Kit
22	3852959	1	• O-ring, Oil passage		
23	3854539	1	• Plug, Gearcase plug		
24	3855081	1	• • O-ring, Gearcase plug		
25	3852970	1	• Anode, Prop shaft housing		
26		1	• Retainer, Anode		
27		1	• Screw, Anode		
28		2	• Screw, Anode retainer		
29		1	• Washer, Anode		
30	3855636	1	• Retainer, Driveshaft		
31	3853371	1	• Retainer, Prop shaft housing		
32	3852478	1	• Screw, Prop shaft retainer		
33	3854601	1	• Retainer, Seal		
34	3850662	1	Plug, Trim tab hole		
35	3854806	1	Screw, Lower to upper housing		
36	3854807	4	Screw, Lower to upper housing		
37	3854805	1	Screw, Lower to upper housing		
38	3852268	1	Splined sleeve, Intermediate		
39	3852056	1	Split pin, Propeller		
40	3852350	1	Spacer, Propeller nut		
41	3852020	1	Bushing		
42	3850984	1	Propeller nut, Propeller		
43	3854795	1	Tube, Water supply		
44	3852315	1	Sealing, Water supply tube		Contents of Lower Gearcase Seal Kit
45		1	Propeller, 15 x 15		Left Hand, Stainless Steel
		1	Propeller, 15 x 17		Left Hand, Stainless Steel
			• Bulletin 56-11	56-11-EN	Replacement of SX Propellers
45	3850317	1	Propeller, 14½ x 19		Left Hand, Stainless Steel
			• Bulletin 56-11	56-11-EN	Replacement of SX Propellers
45	3850318	1	Propeller, 14¼ x 21		Left Hand, Stainless Steel
			• Bulletin 56-11	56-11-EN	Replacement of SX Propellers
45		1	Propeller, 14¼ x 23		Left Hand, Stainless Steel
			• Bulletin 56-11	56-11-EN	Replacement of SX Propellers
45		1	Propeller, 15 x 17		Left Hand, Stainless Steel
			• Bulletin 56-11	56-11-EN	Replacement of SX Propellers
45	3850321	1	Propeller, 14½ x 19		Left Hand, Stainless Steel, polished
			• Bulletin 56-11	56-11-EN	Replacement of SX Propellers
45	3850322	1	Propeller, 14¼ x 21		Left Hand, Stainless Steel, polished
			• Bulletin 56-11	56-11-EN	Replacement of SX Propellers
45	3850323	1	Propeller, 14¼ x 23		Left Hand, Stainless Steel, polished
			• Bulletin 56-11	56-11-EN	Replacement of SX Propellers
45		1	Propeller, 15½ x 14		Right Hand, Stainless Steel
		1	Propeller, 15 x 15		Right Hand, Stainless Steel
		1	Propeller, 15 x 16		Right Hand, Stainless Steel
	3850307	1	Propeller, 15 x 17		Right Hand, Stainless Steel
			• Bulletin 56-11	56-11-EN	Replacement of SX Propellers
45	3850308	1	Propeller, 14½ x 19		Right Hand, Stainless Steel
			• Bulletin 56-11	56-11-EN	Replacement of SX Propellers
45	3850309	1	Propeller, 14¼ x 21		Right Hand, Stainless Steel
			• Bulletin 56-11	56-11-EN	Replacement of SX Propellers
45	3850310	1	Propeller, 14¼ x 23		Right Hand, Stainless Steel
			• Bulletin 56-11	56-11-EN	Replacement of SX Propellers
45	3850298	1	Propeller, 15½ x 13		Right Hand, Aluminium
	3850299	1	Propeller, 15½ x 15		Right Hand, Aluminium
	3850300	1	Propeller, 15 x 172		Right Hand, Aluminium
	3850301	1	Propeller, 14½ x 19		Right Hand, Aluminium
	3850302	1	Propeller, 14¼ x 21		Right Hand, Aluminium
	3850303	1	Propeller, 14 ¼ x 23		Right Hand, Aluminium
	3850311	1	Propeller, 15 x 17		Right Hand, Stainless Steel, polished
			• Bulletin 56-11	56-11-EN	Replacement of SX Propellers
45	3850312	1	Propeller, 14½ x 19		Right Hand, Stainless Steel, polished
			• Bulletin 56-11	56-11-EN	Replacement of SX Propellers

SX-C, SX-CT, SX-R

REF	PART NO.	QTY	DESCRIPTION	SEE SEC.	NOTES
45	3850313	1	Propeller, 14¼ x 21		Right Hand, Stainless Steel, polished
			• Bulletin 56-11	56-11-EN	Replacement of SX Propellers
45	3850314	1	Propeller, 14¼ x 23		Right Hand, Stainless Steel, polished
			• Bulletin 56-11	56-11-EN	Replacement of SX Propellers
46	3850324	1	• Bushing, Propeller		Aluminium
	3850325	1	• Bushing, Propeller		Stainless Steel
47	3850831	1	• Sleeve, Bushing		
48	3854241	1	• Ring, Converging		Aluminium
49	3855411	1	Zinc anode		
			• Bulletin P-44-1-1	P-44-1-1-EN	Anodes, SX AND DP-S
49	3855412	1	Magnesium anode		
50	3852182	2	Washer, Anode		
51	3852186	2	Hexagon screw, Anode		
52	3855275	1	Kit		
53	3854595	1	Sealing, Tube to gearcase		

SX-C1, SX-CT1, SX-RT1



SX-C1, SX-CT1, SX-RT1

REF	PART NO.	QTY	DESCRIPTION	SEE SEC.	NOTES
1	3855692	1	Lower gear		1.43:1
	3801193	1	Lower gear, exc, exc		1.43:1
	3855693	1	Lower gear		1.51:1, 1.79:1
	3801194	1	Aquamatic drive, exc, exc		1.51:1, 1.79:1
	3855694	1	Lower gear		1.60:1, 1.89:1
	3801195	1	Aquamatic drive, exc, exc		1.60:1, 1.89:1
	3855695	1	Lower gear, SX,1.66:1,1.97:1		1.66:1, 1.97:1
	3801196	1	Aquamatic drive, exc, SX,1.66:1,1.97:1, exc		1.66:1, 1.97:1
	3855696	1	Lower gear		1.85:1, 2.18:1
	3801198	1	Aquamatic drive, exc, exc		1.85:1, 2.18:1
	3855363	1	• Gear housing, SX		
2	3852515	1	• • Insert, Prop shaft retainer		
3	3852567	1	• • Insert, 5/16 x 18, short		
4	3853934	1	• • Bearing, Pinion		
5	3854601	1	• Retainer, Seal, water tube		
6	3852402	1	• Drive gear set, Pinion & drive gears		1.51:1, 1.79:1
	3852403	1	• Drive gear set, Pinion & drive gears		1.60:1, 1.89:1
	3852404	1	• Drive gear set, Pinion & drive gears		1.66:1, 1.97:1
	3852405	1	• Drive gear set, Pinion & drive gears		1.85:1, 2.18:1
	3854814	1	• Gear set, Pinion & drive gears		1.43
7	3853941	1	• Rotor		
8	3850942	1	• Bearing		
9	3851003	1	• Nut, Pinion to driveshaft		
10	3854249	1	• Roller bearing, Propeller shaft housing		
11	3853474	1	• Seal, Propeller shaft hsg		
12	3852865	1	• O-ring, Propeller shaft hsg to gearcase		
13	3850695	1	• Shim, Gear position, 0.002 in		
	3852885	1	• Shim, Gear position, 0.004 in		
	3852886	1	• Shim, Gear position, 0.003 in		
	3852887	1	• Shim, Gear position, 0.005 in		
	3852888	1	• Shim, Gear position, 0.010 in		
14	3852868	1	Ring, 0.100 in., propshaft bearing hsg		
	3852869	1	Ring, 0.102 in., propshaft bearing hsg		
	3852870	1	Ring, 0.104 in., propshaft bearing hsg		
	3852871	1	Ring, 0.106 in., propshaft bearing hsg		
	3852872	1	Ring, 0.108 in., propshaft bearing hsg		
	3852873	1	Ring, 0.110 in., propshaft bearing hsg		
	3852874	1	Ring, 0.112 in., propshaft bearing hsg		
	3852875	1	Ring, 0.114 in., propshaft bearing hsg		
	3852876	1	Ring, 0.116 in., propshaft bearing hsg		
	3852877	1	Ring, 0.118 in., propshaft bearing hsg		
	3852878	1	Ring, 0.120 in., propshaft bearing hsg		
	3852879	1	Ring, 0.122 in., propshaft bearing hsg		
	3852880	1	Ring, 0.124 in., propshaft bearing hsg		
	3852881	1	Ring, 0.096 in., propshaft bearing hsg		
	3852882	1	Ring, 0.098 in., propshaft bearing hsg		
15	3851342	1	Countershaft, Lower		
16	3854249	1	Roller bearing, Lower driveshaft		
17	3854250	1	Roller bearing, Upper driveshaft		
18	3852889	1	Shim, Pinion position, 0.003 in		
	3852890	1	Shim, Pinion position, 0.004 in		
	3852891	1	Shim, Pinion position, 0.005 in		
	3852892	1	Shim, Pinion position, 0.010 in		
19	3853492	1	Housing, Propeller shaft		
20	3853272	1	Screw, Propshaft bearing hsg to gearcase		
21	3852271	1	Propeller shaft		
22	3854595	1	Sealing, Water supply tube to gearcase		Part of gearcase seal kit
23	3852866	1	O-ring, Gearcase to upper gear hsg		Part of gearcase seal kit
24	3852959	1	O-ring, Gearcase to upper gear hsg, oil sump		Part of gearcase seal kit
25	3854539	1	Plug, Oil drain, gear hsg		
26	3855081	1	O-ring, Gearcase plug		Part of gearcase seal kit
27	3852970	1	Anode, Propeller shaft bearing hsg		
28		1	Retainer, Anode		
29		1	Screw, Anode to propshaft		

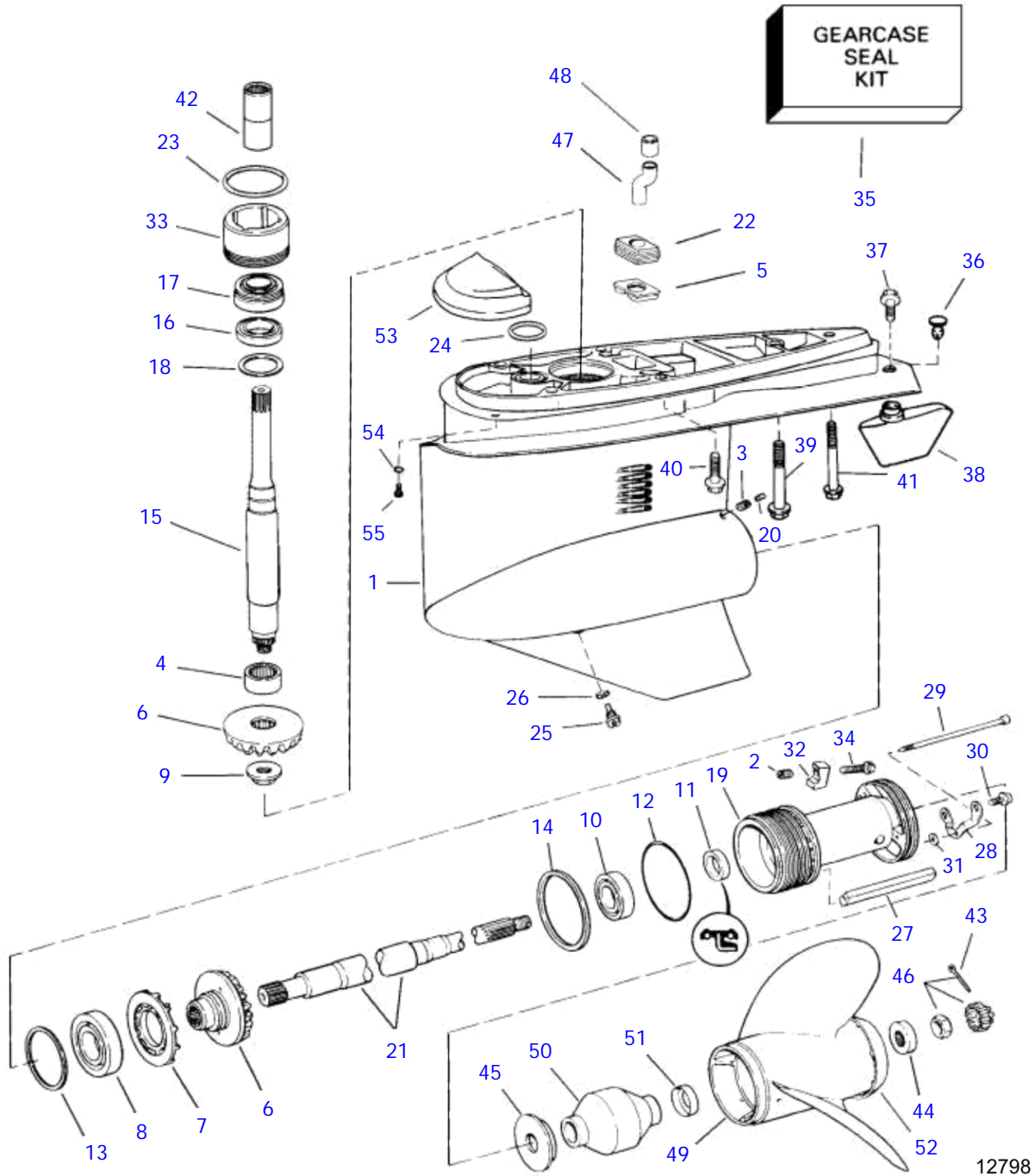
SX-C1, SX-CT1, SX-RT1

REF	PART NO.	QTY	DESCRIPTION	SEE SEC.	NOTES
30		2	Screw, Anode retainer to propshaft brg hsg		
31		1	Washer, Anode to propshaft		
32	3855636	1	Retainer, Bearing, lower vertical driveshaft		
33	3853371	1	Retainer, Propeller shaft hsg		
34	3852478	1	Screw, Propeller shaft retainer to gearcase		
35	3850662	1	Plug, Trim tab hole, lower gearcase		
36	3852008	1	Screw, Trim tab		1.85,1.97, diesel
37	3854402	1	Trim fin, 1 .85,1.97, diesel		
38	3854806	1	Screw, Gearcase to gear hsg, middle		
	3852349	1	Screw, Gearcase to upper gear hsg, rear		
39	3854807	4	Screw, Gearcase to gear hsg, front, port & stbd		
40	3852960	1	Screw, Gearcase to upper gear hsg, rear		
	3854805	1	Screw, Gearcase to gear hsg, rear		
41	3852268	1	Splined sleeve		
42	3852056	1	Split pin, Propeller		
43	3852350	1	Spacer, Propeller nut		
44	3852020	1	Bushing, Propeller		
45	3850984	1	Propeller nut, Propeller		
46	3854795	1	Tube, Water supply		
47	3852315	1	• Sealing		Part of gearcase seal kit
48	3850298	1	Propeller, 15½ x 13		Right Hand, Aluminium
	3850299	1	Propeller, 15½ x 15		Right Hand, Aluminium
	3850300	1	Propeller, 15 x 17		Right Hand, Aluminium
	3850301	1	Propeller, 14½ x 19		Right Hand, Aluminium
	3850302	1	Propeller, 14¼ x 21		Right Hand, Aluminium
	3850303	1	Propeller, 14¼ x 23		Right Hand, Aluminium
		1	Propeller, 15 ½ x 14		Right Hand, Stainless Steel
		1	Propeller, 15 x 15		Right Hand, Stainless Steel
		1	Propeller, 15 x 16		Right Hand, Stainless Steel
	3850307	1	Propeller, 15 x 17		Right Hand, Stainless Steel
			• Bulletin 56-11	56-11-EN	Replacement of SX Propellers
48	3850308	1	Propeller, 14 ½ x 19		Right Hand, Stainless Steel
			• Bulletin 56-11	56-11-EN	Replacement of SX Propellers
48	3850309	1	Propeller, 14¼ x 21		Right Hand, Stainless Steel
			• Bulletin 56-11	56-11-EN	Replacement of SX Propellers
48	3850310	1	Propeller, 14 ¼ x 23		Right Hand, Stainless Steel
			• Bulletin 56-11	56-11-EN	Replacement of SX Propellers
48	3850311	1	Propeller, 15 x 17		Right Hand, Stainless Steel, polished
			• Bulletin 56-11	56-11-EN	Replacement of SX Propellers
48	3850312	1	Propeller, 14 ½ x 19		Right Hand, Stainless Steel, polished
			• Bulletin 56-11	56-11-EN	Replacement of SX Propellers
48	3850313	1	Propeller, 14 ¼ x 21		Right Hand, Stainless Steel, polished
			• Bulletin 56-11	56-11-EN	Replacement of SX Propellers
48	3850314	1	Propeller, 14 ¼ x 23		Right Hand, Stainless Steel, polished
			• Bulletin 56-11	56-11-EN	Replacement of SX Propellers
48		1	Propeller, 15 x 15		Left Hand, Stainless Steel
		1	Propeller, 15 x 17		Left Hand, Stainless Steel
			• Bulletin 56-11	56-11-EN	Replacement of SX Propellers
48	3850317	1	Propeller, 14 ½ x 19		Left Hand, Stainless Steel
			• Bulletin 56-11	56-11-EN	Replacement of SX Propellers
48	3850318	1	Propeller, 14 ¼ x 21		Left Hand, Stainless Steel

SX-C1, SX-CT1, SX-RT1

REF	PART NO.	QTY	DESCRIPTION	SEE SEC.	NOTES
			• Bulletin 56-11	56-11-EN	Replacement of SX Propellers
48		1	Propeller, 14¼ x 23		Left Hand, Stainless Steel
			• Bulletin 56-11	56-11-EN	Replacement of SX Propellers
48		1	Propeller, 15 x 17		Left Hand, Stainless Steel, polished
			• Bulletin 56-11	56-11-EN	Replacement of SX Propellers
48	3850321	1	Propeller, 14 ¼ x 19		Left Hand, Stainless Steel, polished
			• Bulletin 56-11	56-11-EN	Replacement of SX Propellers
48	3850322	1	Propeller, 14 ¼ x 21		Left Hand, Stainless Steel, polished
			• Bulletin 56-11	56-11-EN	Replacement of SX Propellers
48	3850323	1	Propeller, 14¼ x 23		Left Hand, Stainless Steel, polished
			• Bulletin 56-11	56-11-EN	Replacement of SX Propellers
49	3850324	1	• Bushing, Propeller		Aluminium
	3850325	1	• Bushing, Propeller		SS; polished SS
50	3850831	1	• Sleeve, Bushing		
51	3854241	1	• Ring, Converging		Aluminium
52	3855411	1	Zinc anode		
			• Bulletin P-44-1-1	P-44-1-1-EN	Anodes, SX AND DP-S
52	3855412	1	Magnesium anode		
53	3852182	2	Washer, Anode		
54	3852186	2	Hexagon screw, Anode to gearcase		
55	3855275	1	Kit		

SX-C2, SX-RT2



12798

SX-C2, SX-RT2

REF	PART NO.	QTY	DESCRIPTION	SEE SEC.	NOTES
1	3855692	1	Lower gear		1.43:1
	3801193	1	Lower gear, exc, exc		1.43:1
	3855693	1	Lower gear		1.51:1, 1.79:1
	3801194	1	Aquamatic drive, exc, exc		1.51:1, 1.79:1
	3855694	1	Lower gear		1.60:1, 1.89:1
	3801195	1	Aquamatic drive, exc, exc		1.60:1, 1.89:1
	3855695	1	Lower gear		1.66:1, 1.97:1
	3801196	1	Aquamatic drive, exc, exc		1.66:1, 1.97:1
	3855696	1	Lower gear		1.85:1, 2.18:1
	3801198	1	Aquamatic drive, exc, exc		1.85:1, 2.18:1
	3855363	1	• Gear housing, SX		
2	3852515	1	• • Insert, Prop shaft retainer		
3	3852567	1	• • • Insert, 5/16 x 18, short		
4	3853934	1	• • • Bearing, Pinion		
5	3854601	1	• Retainer, Seal, water tube		
6	3852402	1	• Drive gear set, Pinion & drive gears		1.51:1, 1.79:1
	3852403	1	• Drive gear set, Pinion & drive gears		1.60:1, 1.89:1
	3852404	1	• Drive gear set, Pinion & drive gears		1.66:1, 1.97:1
	3852405	1	• Drive gear set		1.85:1, 2.18:1
	3854814	1	• Gear set, Pinion & drive gears		1.43:1
7	3853941	1	• Rotor		
8	3850942	1	• Bearing		
9	3851003	1	• Nut, Pinion to driveshaft		
10	3854249	1	• Roller bearing, Propeller shaft housing		
11	3853474	1	• Seal, Propeller shaft hsg		
12	3852865	1	• O-ring, Propshaft bearing hsg to gearcase		
13	3850695	1	• Shim, Gear position, 0.002 in. (0.05 mm)		As required
	3852886	1	• Shim, Gear position, 0.003 in. (0.08 mm)		As required
	3852885	1	• Shim, Gear position, 0.004 in. (0.10 mm)		As required
	3852887	1	• Shim, Gear position, 0.005 in. (0.13 mm)		As required
	3852888	1	• Shim, Gear position, 0.010 in. (0.25 mm)		As required
14	3852881	1	• Ring, 0.096 in. (2.44 mm), propshaft brg hsg		As required
	3852882	1	• Ring, 0.098 in. (2.49 mm), propshaft brg hsg		As required
	3852868	1	• Ring, 0.100 in. (2.55 mm), propshaft brg hsg		As required
	3852869	1	• Ring, 0.102 in (2.60 mm), propshaft brg hsg		As required
	3852870	1	• Ring, 0.104 in (2.65 mm), propshaft brg hsg		As required
	3852871	1	• Ring, 0.106 in (2.70 mm), propshaft brg hsg		As required
	3852872	1	• Ring, 0.108 in (2.75 mm), propshaft brg hsg		As required
	3852873	1	• Ring, 0.110 in (2.80 mm), propshaft brg hsg		As required
	3852874	1	• Ring, 0.112 in (2.85 mm), propshaft brg hsg		As required
	3852875	1	• Ring, 0.114 in (2.90 mm), propshaft brg hsg		As required
	3852876	1	• Ring, 0.116 in (2.95 mm), propshaft brg hsg		As required
	3852877	1	• Ring, 0.118 in (3.00 mm), propshaft brg hsg		As required
	3852878	1	• Ring, 0.120 in (3.05 mm), propshaft brg hsg		As required
	3852879	1	• Ring, 0.122 in (3.10 mm), propshaft brg hsg		As required
	3852880	1	• Ring, 0.124 in (3.16 mm), propshaft brg hsg		As required
15	3851342	1	• Countershaft, Lower		
16	3854249	1	• Roller bearing, Lower driveshaft		
17	3854250	1	• Roller bearing, Upper driveshaft		
18	3852889	1	• Shim, Pinion position, 0.003 in. (0.08 mm)		As required
	3852890	1	• Shim, Pinion position, 0.004 in. (0.10 mm)		As required
	3852891	1	• Shim, Pinion position, 0.005 in. (0.13 mm)		As required

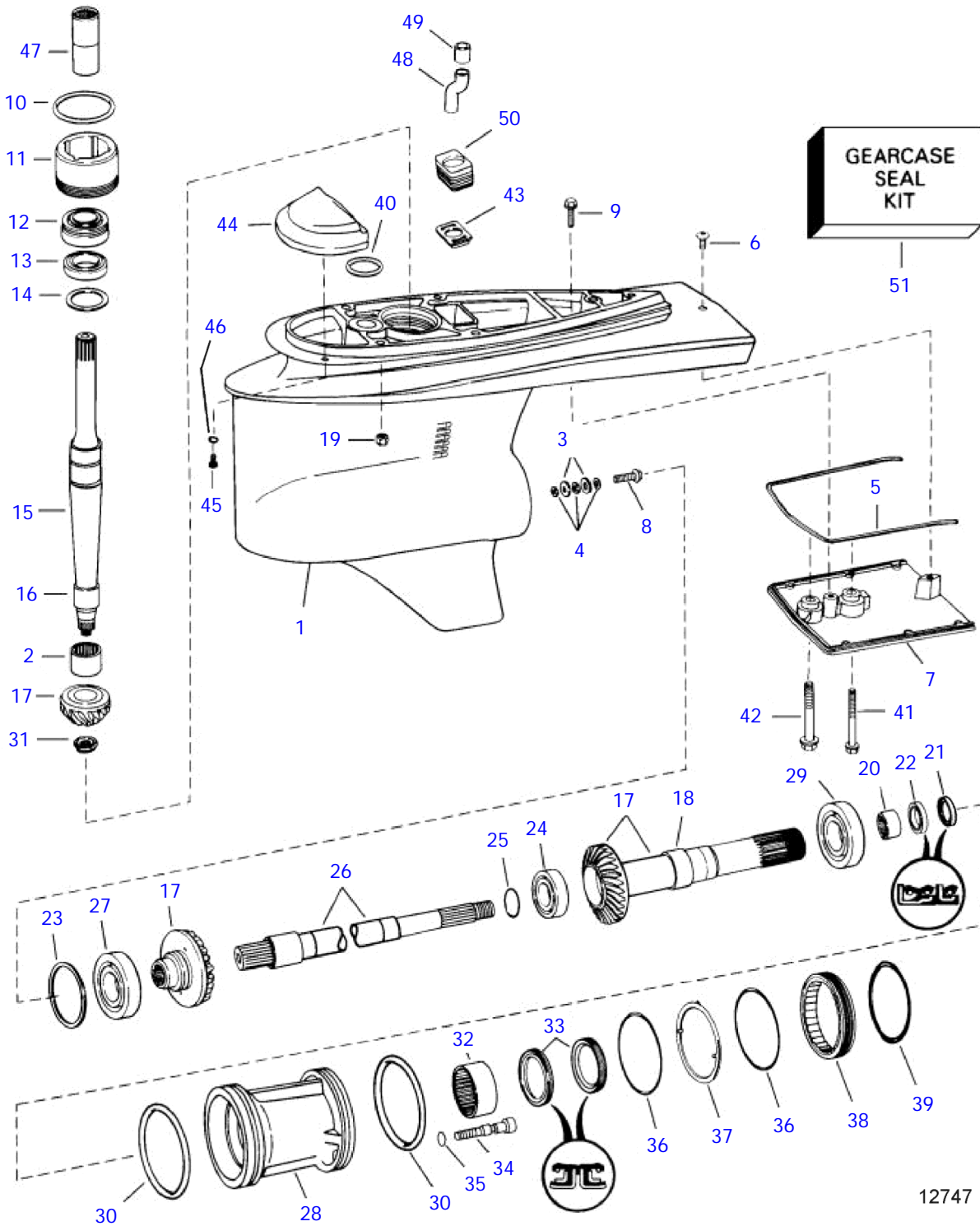
SX-C2, SX-RT2

REF	PART NO.	QTY	DESCRIPTION	SEE SEC.	NOTES
	3852892	1	• Shim, Pinion position, 0.010 in. (0.25 mm)		As required
19	3853492	1	• Housing, Propeller shaft		
20	3853272	1	• Screw, Propshaft bearing hsg to gearcase		
21	3852271	1	• Propeller shaft		
22	3854595	1	• Sealing, Water supply tube to gearcase		Part of gearcase seal kit
23	3852866	1	• O-ring, Gearcase to upper gear hsg		Part of gearcase seal kit
24	3852959	1	• O-ring, Gearcase to upper gear hsg, oil sump		Part of gearcase seal kit
25	3854539	1	• Plug, Oil drain, upper gear hsg		
26	3855081	1	• O-ring, Gearcase plug		Part of gearcase seal kit
27	3852970	1	• Anode, Propeller shaft bearing hsg		
28		1	• Retainer, Anode		
29		1	• Screw, Anode to propshaft		
30		2	• Screw, Anode retainer to propshaft brg hsg		
31		1	• Washer, Anode to propshaft		
32	3853371	1	• Retainer, Propshaft bearing hsg to gearcase		
33	3855636	1	Retainer, Bearing, lower vertical driveshaft		
34	3852478	1	Screw, Propeller shaft retainer to gearcase		
35	3855275	1	Kit		
36	3850662	1	Plug, Trim tab hole, lower gearcase		Gasoline
37	3852008	1	Screw, Trim tab		1.85,1.97, diesel
38	3854402	1	Trim fin		1.85,1.97, diesel
39	3852349	1	Screw, Gearcase to upper gear hsg		Rear
	3854806	1	Screw, Gearcase to gear hsg		Middle
40	3854807	4	Screw, Gearcase to gear hsg		Front, port & stbd
41	3852960	1	Screw, Gearcase to upper gear hsg		Rear
	3854805	1	Screw, Gearcase to gear hsg		Rear
42	3852268	1	Splined sleeve		
43	3852056	1	Split pin, Propeller		
44	3852350	1	Spacer, Propeller nut		
45	3852020	1	Bushing, Propeller		
46	3850984	1	Propeller nut, Propeller		
47	3854795	1	Tube, Water supply		
48	3852315	1	Sealing		Part of gearcase seal kit
49	3850298	1	Propeller, 15½ x 13		Right Hand, Aluminium
	3850299	1	Propeller, 15½ x 15		Right Hand, Aluminium
	3850300	1	Propeller, 15 x 17		Right Hand, Aluminium
	3850301	1	Propeller, 14½ x 19		Right Hand, Aluminium
	3850302	1	Propeller, 14¼ x 21		Right Hand, Aluminium
	3850303	1	Propeller, 14¼ x 23		Right Hand, Aluminium
		1	Propeller, 15½ x 14		Right Hand, Stainless Steel
		1	Propeller, 15 x 15		Right Hand, Stainless Steel
		1	Propeller, 15 x 16		Right Hand, Stainless Steel
	3850307	1	Propeller, 15 x 17		Right Hand, Stainless Steel
			• Bulletin 56-11	56-11-EN	Replacement of SX Propellers
49	3850308	1	Propeller, 14½ x 19		Right Hand, Stainless Steel
			• Bulletin 56-11	56-11-EN	Replacement of SX Propellers
49	3850309	1	Propeller, 14¼ x 21		Right Hand, Stainless Steel
			• Bulletin 56-11	56-11-EN	Replacement of SX Propellers
49	3850310	1	Propeller, 14¼ x 23		Right Hand, Stainless Steel
			• Bulletin 56-11	56-11-EN	Replacement of SX Propellers
49	3850311	1	Propeller, 15 x 17		Right Hand, Stainless Steel, polished
			• Bulletin 56-11	56-11-EN	Replacement of SX Propellers
49	3850312	1	Propeller, 14½ x 19		Right Hand, Stainless Steel, polished
			• Bulletin 56-11	56-11-EN	Replacement of SX Propellers
49	3850313	1	Propeller, 14¼ x 21		Right Hand, Stainless Steel, polished
			• Bulletin 56-11	56-11-EN	Replacement of SX Propellers
49	3850314	1	Propeller, 14¼ x 23		Right Hand, Stainless Steel, polished
			• Bulletin 56-11	56-11-EN	Replacement of SX Propellers
49		1	Propeller, 15 x 15		Left Hand, Stainless Steel

SX-C2, SX-RT2

REF	PART NO.	QTY	DESCRIPTION	SEE SEC.	NOTES
		1	Propeller, 15 x 17 • Bulletin 56-11	56-11-EN	Left Hand, Stainless Steel Replacement of SX Propellers
49	3850317	1	Propeller, 14½ x 19 • Bulletin 56-11	56-11-EN	Left Hand, Stainless Steel Replacement of SX Propellers
49	3850318	1	Propeller, 14 ¼ x 21 • Bulletin 56-11	56-11-EN	Left Hand, Stainless Steel Replacement of SX Propellers
49		1	Propeller, 14¼ x 23 • Bulletin 56-11	56-11-EN	Left Hand, Stainless Steel Replacement of SX Propellers
49		1	Propeller, 15 x 17 • Bulletin 56-11	56-11-EN	Left Hand, Stainless Steel, polished Replacement of SX Propellers
49	3850321	1	Propeller, 14½ x 19 • Bulletin 56-11	56-11-EN	Left Hand, Stainless Steel, polished Replacement of SX Propellers
49	3850322	1	Propeller, 14¼ x 21 • Bulletin 56-11	56-11-EN	Left Hand, Stainless Steel, polished Replacement of SX Propellers
49	3850323	1	Propeller, 14¼ x 23 • Bulletin 56-11	56-11-EN	Left Hand, Stainless Steel, polished Replacement of SX Propellers
50	3850324	1	• Bushing, Propeller		Aluminium
	3850325	1	• Bushing, Propeller		SS; polished SS
51	3850831	1	• Sleeve, Bushing		
52	3854241	1	• Ring		Aluminium
53	3855411	1	Zinc anode • Bulletin P-44-1-1	P-44-1-1-EN	Anodes, SX AND DP-S
53	3855412	1	Magnesium anode		
54	3852182	2	Washer, Anode		
55	3852186	2	Hexagon screw, Anode to gearcase		

DP-S



12747

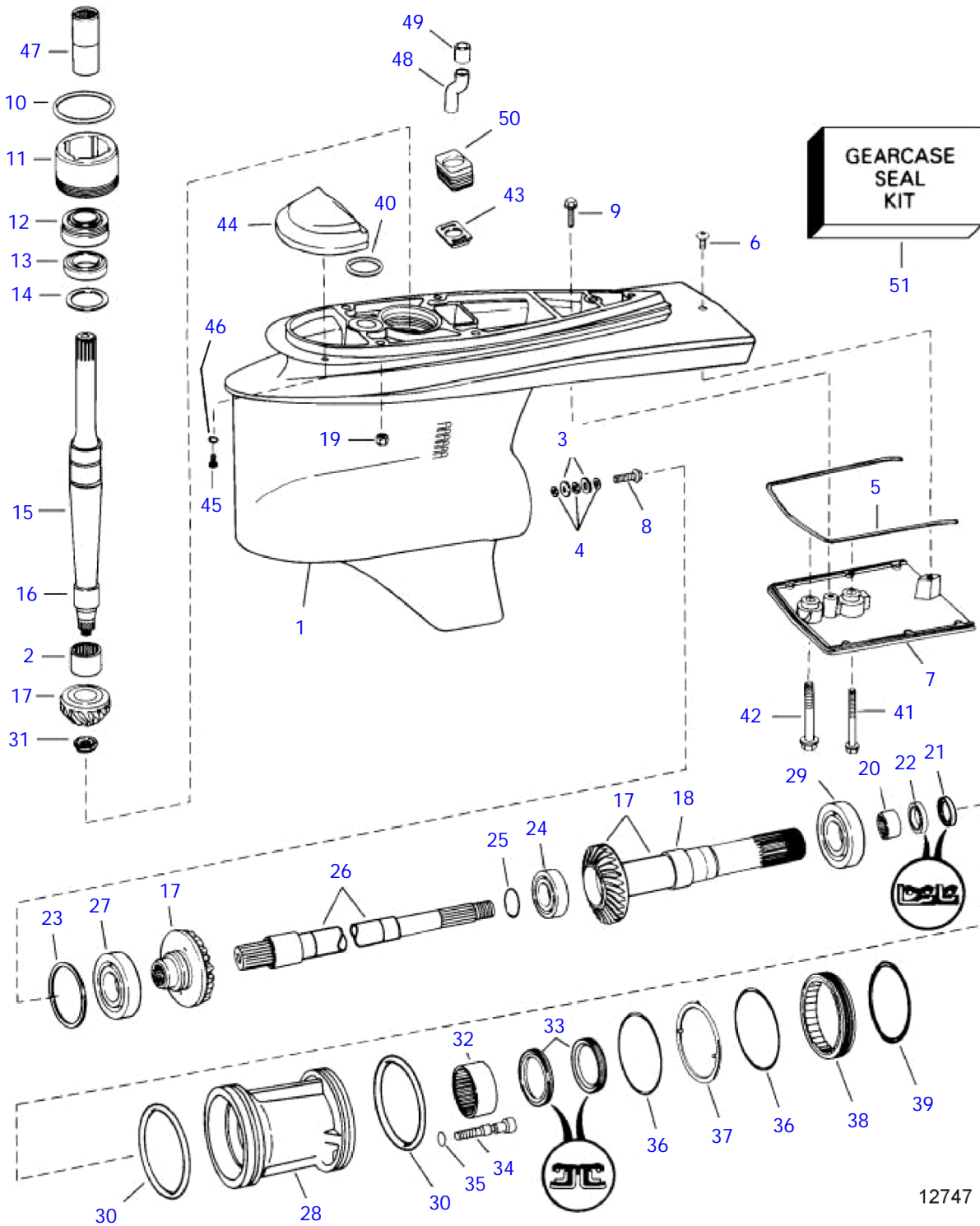
DP-S

REF	PART NO.	QTY	DESCRIPTION	SEE SEC.	NOTES
1	3855906	1	Lower gear, 1.68		Not shown
	3801182	1	Lower gear, exch, 1.68, exch		Not shown
	3855907	1	Lower gear, 1.78		Not shown
	3801183	1	Lower gear, exch, 1.78, exch		Not shown
	3855908	1	Lower gear, 1.95		Not shown
	3855909	1	Lower gear, 2.30		Not shown
	3803268	1	Lower gear, exch, 2.30, exch		Not shown
	3855514	1	• Housing		
2	184654	1	• • Needle roller bushin, Lower vertical drive skaft		
3	854096	2	• • Magnet, Lower gearcase		
4	955893	3	• • Washer, Magnet, lower gearcase		
5	3854898	1	• • Sealing, Lower gearcase		Part of gearcase kit
6	3855004	1	• • Screw, Exhaust cover to gearcase, rear		
7	3855544	1	• • Cover, Gearcase housing		
8	3855578	1	• • Screw, Magnet, lower gearcase		
9	3855819	1	• • Flange screw, Exhaust cover to gearcase, front		
10	3852866	1	• O-ring, Gearcase to upper gear hsg		Part of gearcase seal kit
11	3855636	1	• Retainer, Bearing, lower vertical driveshaft		
12	3854250	1	• Roller bearing, Upper driveshaft		
13	3854249	1	• Roller bearing, Lower driveshaft		
14	3852889	X	• Shim, Pinion position, 0.003 in		
	3852890	X	• Shim, Pinion position, 0.004 in		
	3852891	X	• Shim, Pinion position, 0.005 in		
	3852892	X	• Shim, Pinion position, 0.010 in		
15	3855492	1	Countershaft, Vertical		
16	184682	1	• Inner ring		
17	3851299	1	Gear, .68:1 (18:29)		
	3851304	1	Gear, .78:1 (17:29)		
	3851309	1	Gear, .95:1 (16:30)		
	3851314	1	Gear, 2.30:1 (14:31)		
18	184683	1	• Inner ring, Brg, outer propshaft to brg hsg		
19	941885	4	• Lock nut, Stud, gearcase to gear hsg		
20	183272	1	• Needle roller bushin, Needle, outer prop skaft		
21	853807	1	• Sealing ring, Inner to outer propshaft, rear		Part of gearcase seal kit
22	853808	1	• Sealing ring, Inner to outer propshaft, forward		Part of gearcase seal kit
23		X	• Shim, 0.002 in., brg, gear, inner propshaft		
		X	• Shim, 0.003 in., brg, gear, inner propshaft		
		X	• Shim, 0.004 in., brg, gear, inner propshaft		
		X	• Shim, 0.005 in., brg, gear, inner propshaft		
		X	• Shim, 0.006 in., brg, gear, inner propshaft		
		X	• Shim, 0.008 in., brg, gear, inner propshaft		
		X	• Shim, 0.010 in., brg, gear, inner propshaft		
		X	• Shim, 0.016 in., brg, gear, inner propshaft		
24	184691	1	• Roller bearing, Inner propshaft to gear		
25		X	• Shim, 0.002 in., brg, gear, outer propshaft		
		X	• Shim, 0.003 in., brg, gear, outer propshaft		
		X	• Shim, 0.005 in., brg, gear, outer propshaft		
		X	• Shim, 0.010 in., brg, gear, outer propshaft		
26	3851205	1	• Propeller shaft, Lower, inner		
27	11044	1	• Roller bearing, Inner prop shaft gear		
28	3851234	1	• Bearing housing		
29	184765	1	• Roller bearing, Outer prop shaft to bearing hsg		
30	3854625	2	• O-ring, Prop shaft brg hsg to gearcase		Part of gearcase seal kit
31	852212	1	• Nut, Pinion to vertical drive shaft		
32	183859	1	• Needle roller bushin, Outer prop skaft		
33	851407	2	• Sealing ring, Outer propshaft to brg hsg		Part of gearcase seal kit
34	3851329	1	• Screw, Retaining ring to propshaft brg hsg		
35	955981	1	• O-ring, Screw, retainer, propshaft brg hsg		Part of gearcase seal kit
36	946438	2	• O-ring, Retainer to propshaft brg hsg		Part of gearcase seal kit

DP-S

REF	PART NO.	QTY	DESCRIPTION	SEE SEC.	NOTES
37	3851246	1	• Retainer, Prop shaft brg hsg to gearcase		
38	3851327	1	• Thrust ring, Propshaft brg hsg retainer to gearcase		
39	3854624	1	• O-ring, Prop shaft brg hsg retainer to gearcase		Part of gearcase seal kit
40	3852959	1	• O-ring, Gearcase to upper gear hsg, oil sump		Part of gearcase seal kit
41	3852349	1	• Screw, Gearcase to upper gear hsg, rear		
42	3852960	1	• Screw, Gear housing		
43	3854601	1	Retainer, Seal, watertube		
44	3855411	1	Zinc anode		
			• Bulletin P-44-1-1	P-44-1-1-EN	Anodes, SX AND DP-S
44	3855412	1	Magnesium anode		
45	3852186	2	Hexagon screw, Anode to gearcase		
46	3852182	1	Washer, Anode		
47	3852268	1	Splined sleeve		
48	3854795	1	Tube, Water supply		
49	3852315	1	• Sealing		Part of gearcase seal kit
50	3854595	1	Sealing, Water supply tube to gearcase		Part of gearcase seal kit
51	3856002	1	Sealing kit		

DP-S1



12747

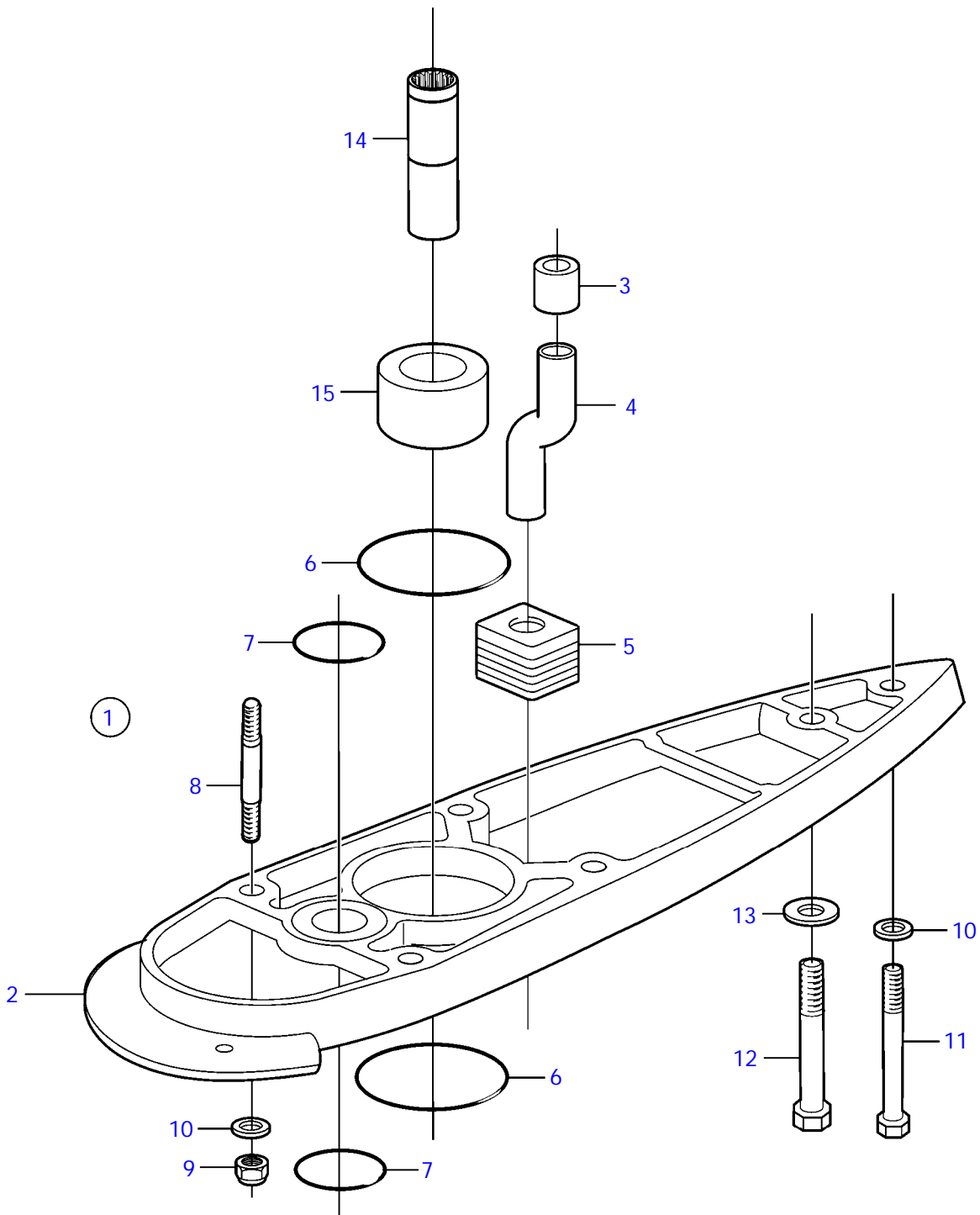
DP-S1

REF	PART NO.	QTY	DESCRIPTION	SEE SEC.	NOTES
1	3855906	1	Lower gear		1.68:1
	3801182	1	Lower gear, exch, exch		1.68:1
	3855907	1	Lower gear		1.78:1
	3801183	1	Lower gear, exch, exch		1.78:1
	3855908	1	Lower gear		1.95:1, 2.32:1
	3855514	1	• Housing		
2	184654	1	• • Needle roller bushin, Lower vertical drive shaft		
3	854096	2	• • Magnet, Lower gearcase		
4	955893	3	• • Washer, Magnet, lower gearcase		
5	3854898	1	• • Sealing, Lower gearcase		Part of gearcase kit
6	3855004	1	• • Screw, Exhaust cover to gearcase		
7	3855544	1	• • Cover, Gearcase housing		
8	3855578	1	• • Screw, Magnet, lower gearcase		
9	3855819	1	• • Flange screw, Exhaust cover to gearcase		Front
10	3852866	1	• O-ring, Gearcase to uppe, gear hsg		Part of gearcase seal kit
11	3855636	1	• Retainer, Bearing, lower vertical driveshaft		
12	3854250	2	• Roller bearing, Upper & lower driveshaft		
13	3854249	2	• Roller bearing, Upper & lower driveshaft		
14	3852889	1	• Shim, Pinion position, 0.003 in. (0.08 mm)		As required
	3852890	1	• Shim, Pinion position, 0.004 in. (0.10 mm)		As required
	3852891	1	• Shim, Pinion position, 0.005 in. (0.13 mm)		As required
	3852892	1	• Shim, Pinion position, 0.010 in. (0.25 mm)		As required
15	3855492	1	• Countershaft, Vertical		
16	184682	1	• • Inner ring		
17	3851299	1	• Gear, 1.68:1(18:29)		
	3851304	1	• Gear, 1.78:1(17:29)		
	3851309	1	• Gear, 1.95:1, 2.32:1(16:30)		
	3851314	1	• Gear, 2.30:1 (14:31)		
18	184683	1	• Inner ring, Brg, outer propshaft to brg hsg		
19	941885	4	• Lock nut, Stud, gearcase to gear hsg		
20	183272	1	• Needle roller bushin, Outer propshaft		
21	853871	1	• Sealing ring		Part of gearcase seal kit
	853807	1	• • Sealing ring		
22	853808	1	• • Sealing ring, Inner to outer propshaft, forward		Part of gearcase seal kit
23	967352	1	• Shim, 0.05 mm		As required
	941823	1	• Shim, 0.10 mm		As required
	967351	1	• Shim, 0.15 mm		As required
	941824	1	• Shim, 0.20 mm		As required
	941825	1	• Shim, 0.40 mm		As required
24	184691	1	• Roller bearing, Inner propshaft to gear		
25	191834	1	• Shim, 0.10 mm		As required
	191835	1	• Shim, 0.15 mm		As required
	191837	1	• Shim, 0.25 mm		As required
26	3851205	1	• Propeller shaft, Lower, inner		
27	11044	1	• Roller bearing, Inner prop shaft gear		
28	3851234	1	• Bearing housing		
29	184765	1	• Roller bearing, Outer prop shaft to bearing hsg		
30	3854625	2	• O-ring, Prop shaft brg hsg to gearcase		Part of gearcase seal kit
31	852212	1	• Nut, Pinion to vertical drive shaft		
32	183859	1	• Needle roller bushin, Outer propshaft		
33	851407	2	• Sealing ring, Outer propshaft to brg hsg		Part of gearcase seal kit
34	3851329	1	• Screw, Retaining ring to propshaft brg hsg		
35	955981	1	• O-ring, .Screw, retainer, propshaft brg hsg		Part of gearcase seal kit
36	946438	2	• O-ring, Retainer to propshaft brg hsg		Part of gearcase seal kit
37	3851246	1	• Retainer, Propshaft brg hsg to gearcase		
38	3851327	1	• Thrust ring, Propshaft brg hsg retainer to g'case		
39	3854624	1	• O-ring, Propshaft brg hsg		Part of gearcase seal kit

DP-S1

REF	PART NO.	QTY	DESCRIPTION	SEE SEC.	NOTES
40	3852959	1	• O-ring, Gearcase to upper gear hsg, oil sump		Part of gearcase seal kit
41	3852349	1	• Screw, Gearcase to upper gear hsg		
42	3852960	1	• Screw, Gear housing		
43	3854601	1	• Retainer, Seal, water tube		
44	3855411	1	• Zinc anode		
			• Bulletin P-44-1-1	P-44-1-1-EN	Anodes, SX AND DP-S
44	3855412	1	• Magnesium anode		
45	3852186	2	• Hexagon screw, Anode to gearcase		
46	3852182	1	• Washer, Anode		
47	3852268	1	Splined sleeve		
48	3854795	1	Tube, Water supply		
49	3852315	1	Sealing		Part of gearcase seal kit
50	3854595	1	Sealing, Water supply tube to gearcase		Part of gearcase seal kit
51	3856002	1	Sealing kit		

SX-C, SX-C1, SX-C2, SX-CT, SX-CT1, SX-R, SX-RT1, SX-RT2, DP-S, DP-S1, SX-R1, SX-R2

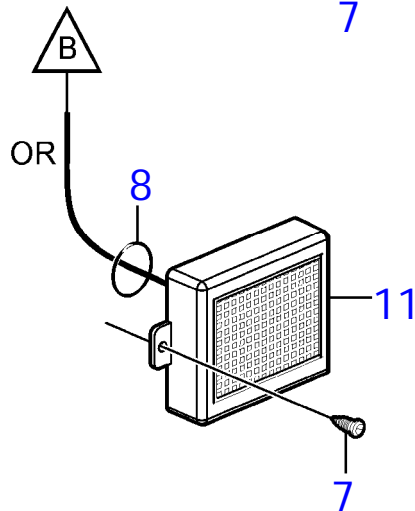
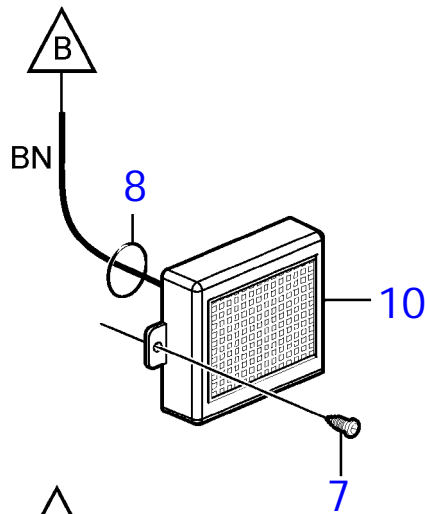
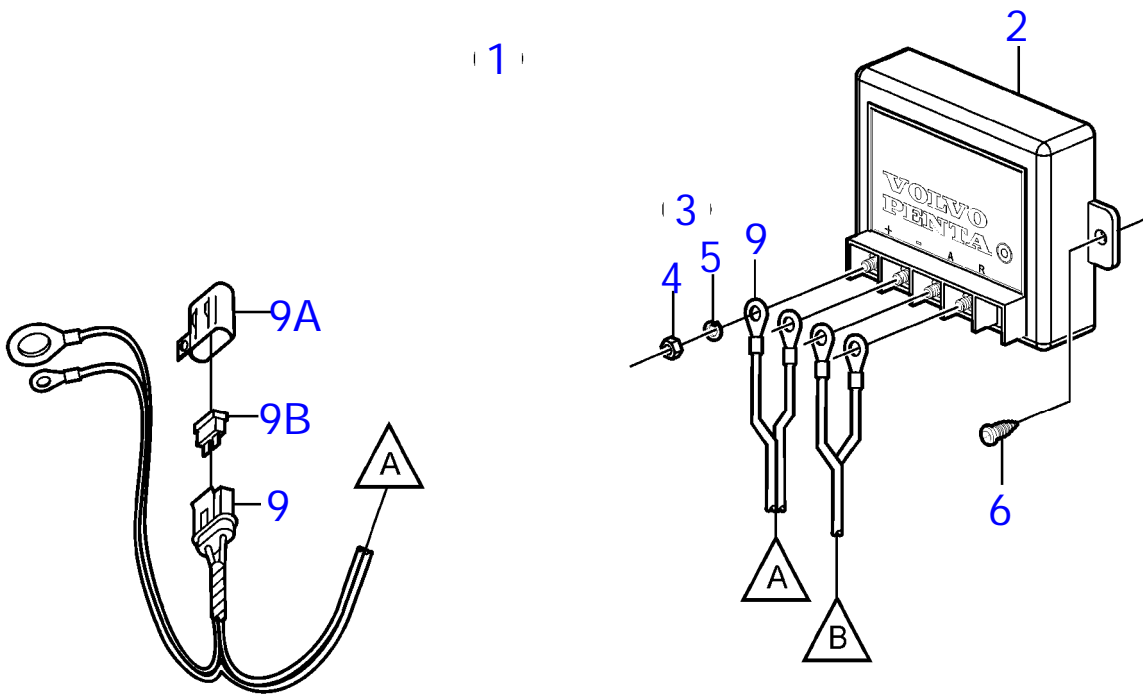


19626

SX-C, SX-C1, SX-C2, SX-CT, SX-CT1, SX-R, SX-RT1, SX-RT2, DP-S, DP-S1, SX-R1, SX-R2

REF	PART NO.	QTY	DESCRIPTION	NOTES
1	3855667	1	Extension kit	
2		1	• Extension	
3	3852315	1	• Sealing	
4	3854530	1	• Hose	
5	3854595	1	• Sealing	
6	3852866	2	• O-ring	
7	3852959	2	• O-ring	
8	3856718	4	• Stud	
9	941885	4	• Lock nut	
10	3856736	5	• Washer	
11	3856724	1	• Bolt	SX
	3856725	1	• Bolt	DP-S
12	3856726	1	• Bolt	SX
	3856727	1	• Bolt	DP-S
13	3856735	1	• Washer	
14	854684	1	• Splined sleeve	
15	3855633	1	• Retainer	

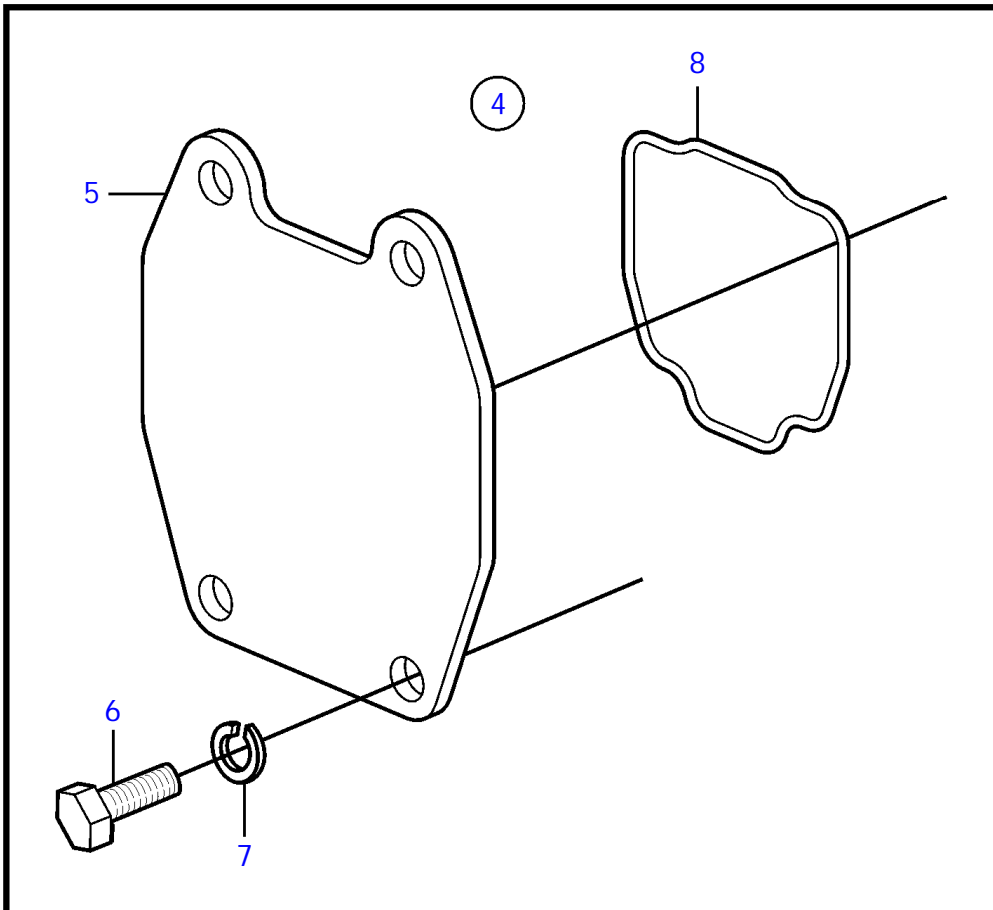
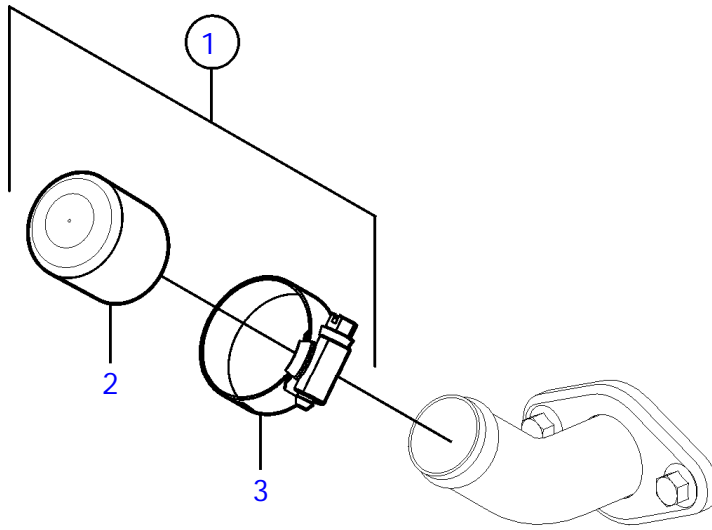
SX-C, SX-C1, SX-C2, SX-C1AC, SX-C2AC, SX-CLT, SX-CLT1



SX-C, SX-C1, SX-C2, SX-C1AC, SX-C2AC, SX-CLT, SX-CLT1

REF	PART NO.	QTY	DESCRIPTION	NOTES
1	3851790	1	Protection against c, ACP	Kit and parts no longer available, replaced by complete new design ACP kit
2	3851972	1	• Electronic unit	
3	3856632	1	• Small parts kit	
4	940119	4	• • Hexagon nut	
5		4	• • Lock washer	
6		2	• • Screw	
7		4	• • Screw	
8		2	• • O-ring	
9	3855793	1	• Wiring harness	
9A	8072808	1	• • Cover	
9B	983966	1	• • Fuse	1 AMP
10	3851970	1	• Sensor, reference	Kit and parts no longer available, replaced by complete new design ACP kit
11	3851971	1	• Sensor, active	Kit and parts no longer available, replaced by complete new design ACP kit

SX-C, SX-C1, SX-C2, SX-C1AC, SX-C2AC, SX-CLT, SX-CLT1

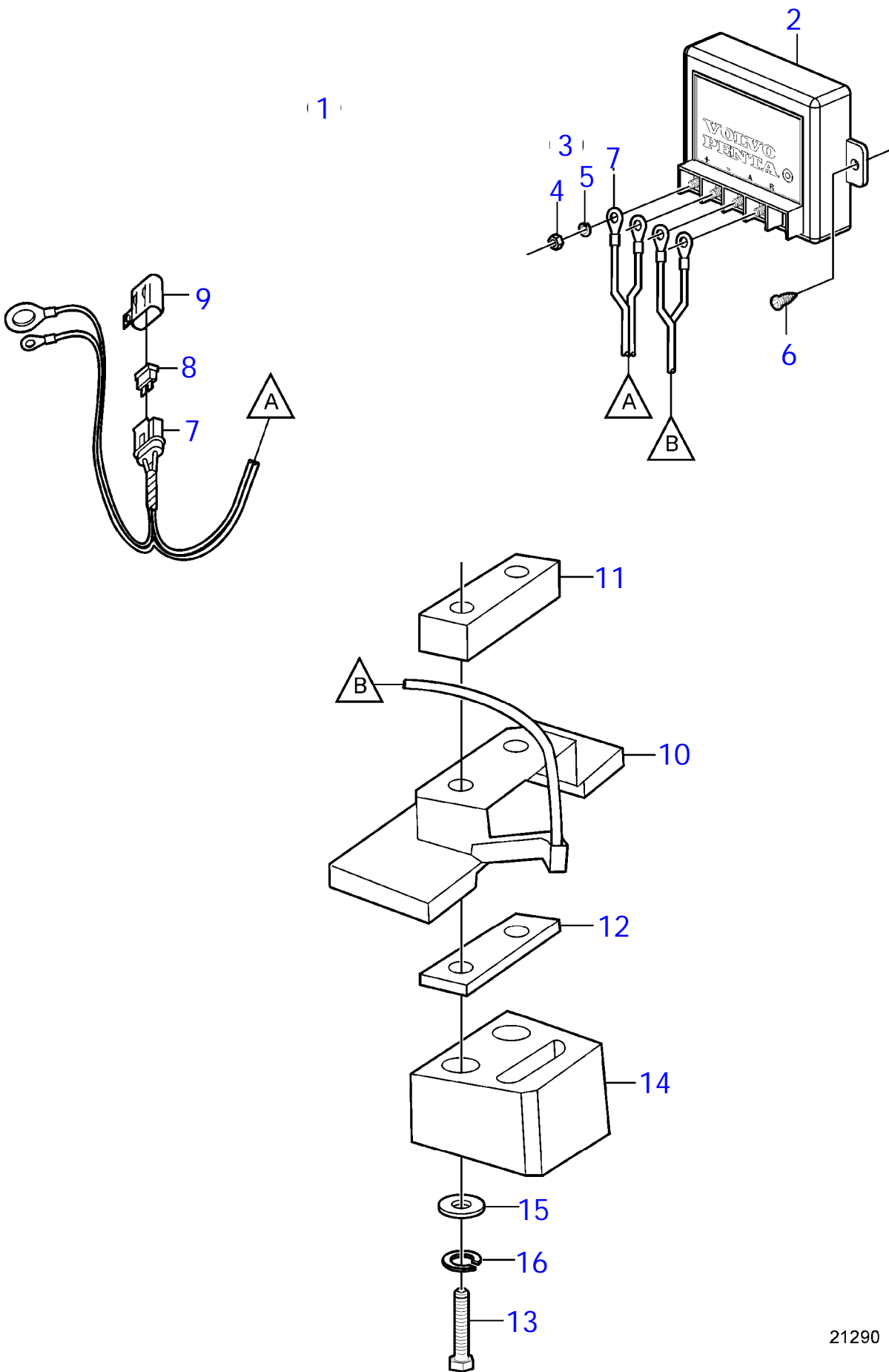


24646

SX-C, SX-C1, SX-C2, SX-C1AC, SX-C2AC, SX-CLT, SX-CLT1

REF	PART NO.	QTY	DESCRIPTION	NOTES
1		1	Kit, water block-off	kit no longer available
2	3852476	1	• Cardboard tube	
3	3863444	2	• Hose clamp	
4	3850889	1	Kit, exhaust block-off	
5		1	• Flange	not sold separately
6	3855227	4	• Hexagon screw	
7	3852002	4	• Spring washer	
8	3587651	1	Kit	

SX-C, SX-R, SX-C1AC, SX-C2AC, SX-CLT, SX-CLT1

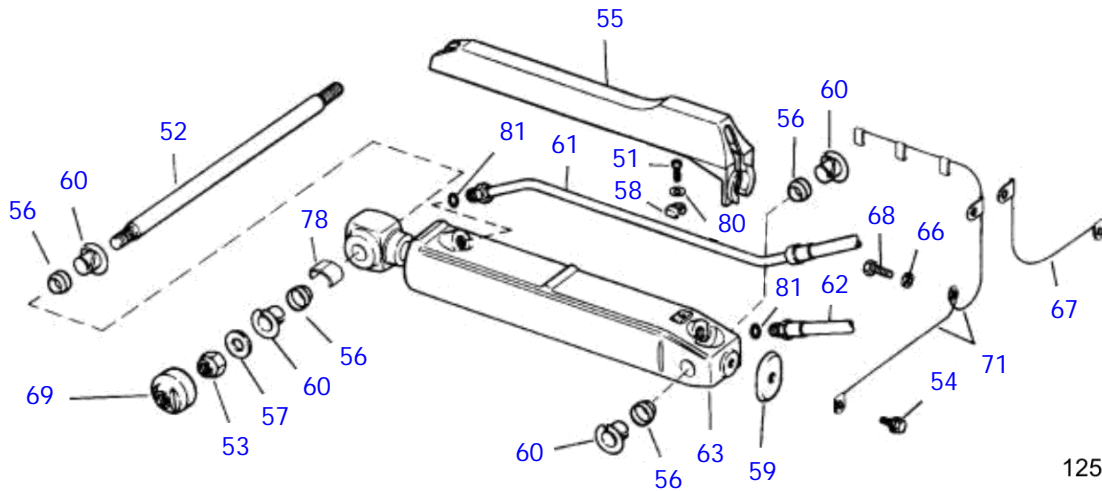
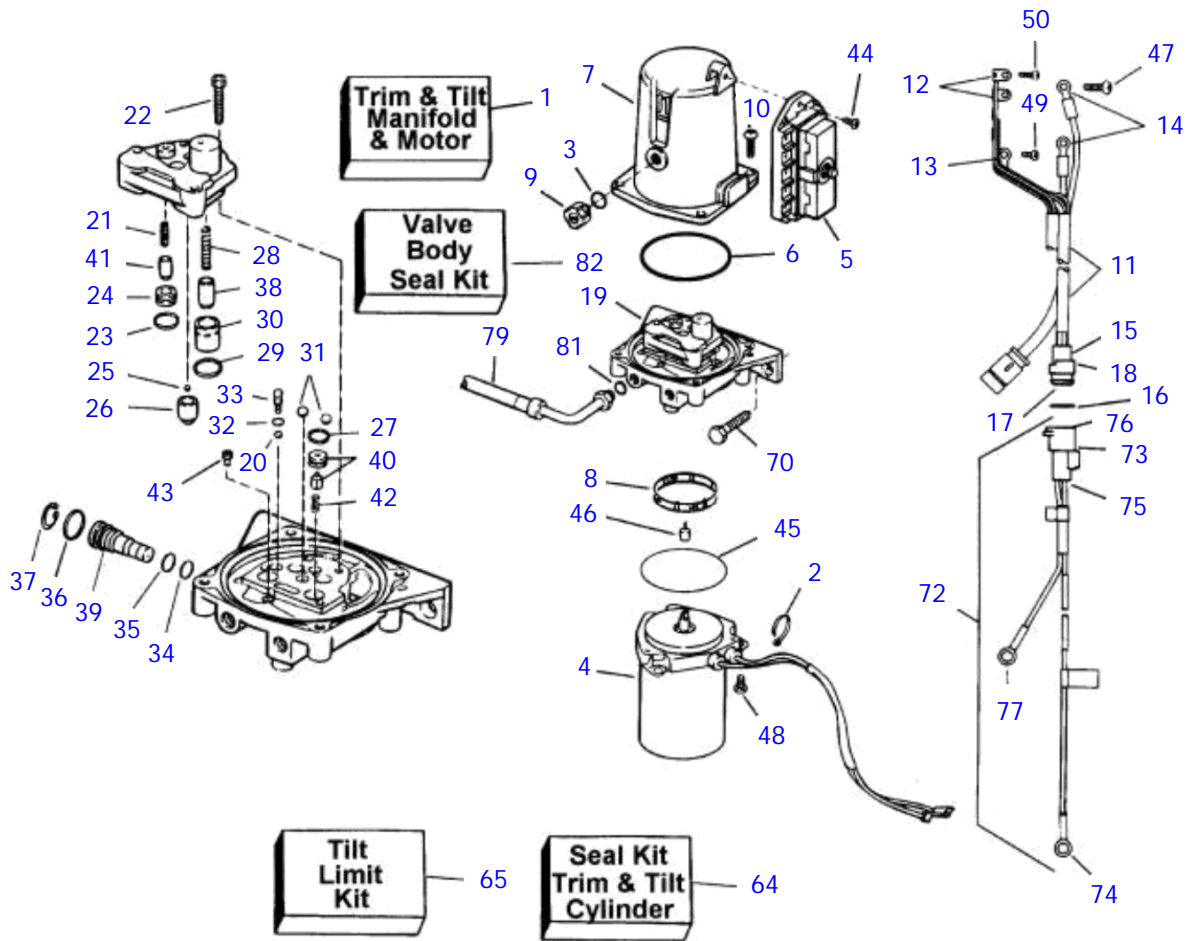


21290

SX-C, SX-R, SX-C1AC, SX-C2AC, SX-CLT, SX-CLT1

REF	PART NO.	QTY	DESCRIPTION	NOTES
1	3851984	1	Protection against c, ACP	Kit and parts no longer available, replaced by complete new design ACP kit
2	3851972	1	• Electronic unit	
3	3856632	1	• Small parts kit	
4	940119	4	• • Hexagon nut	
5		4	• • Lock washer	
6		2	• • Screw	
7	3855793	1	• Wiring harness	
8	8072808	1	• • Cover	
9	983966	1	• • Fuse	1 AMP
10	3851985	1	• Sensor	Kit and parts no longer available, replaced by complete new design ACP kit
11	3856636	1	• Spacer	
12		1	• Spacer	
13	959951	2	• Hexagon screw	
14		1	Anode	see Transom Shield page
15		2	Washer	
16	3852061	2	Washer	

SX-C, SX-R



12575

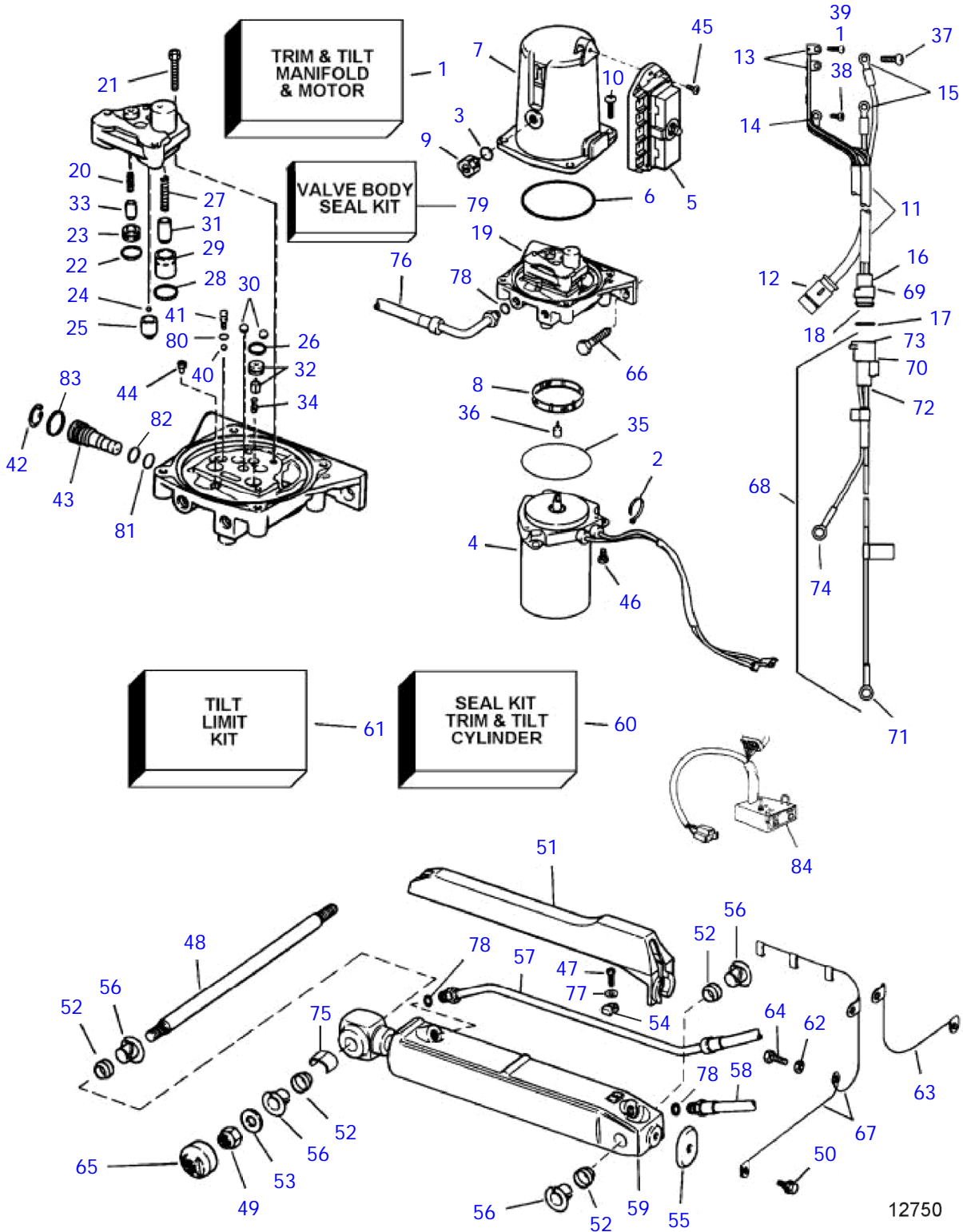
SX-C, SX-R

REF	PART NO.	QTY	DESCRIPTION	NOTES
1	3854030	1	Hydraulic pump	has manual release valve
	3855334	1	Hydraulic pump	NO manual release valve
2		1	Cable tie	
3	3852073	1	O-ring, Plug	Contents of Valve Body Seal Kit
4	3853945	1	Electrical motor	
5	3853946	1	Relay	
6	3852508	1	O-ring, Reservoir	Contents of Valve Body Seal Kit
7	3853989	1	Tank	
8	3852974	1	Filter	Contents of Valve Body Seal Kit
9	3852976	1	Plug, Fill hole	
10	3852977	4	Screw, Reservoir to manifold	
11	3854038	1	Wiring harness	
12	3852228	2	Cable terminal	
13	3852226	1	Cable terminal	
14		2	Terminal	
15	3852250	1	Terminal	
16	3852537	1	O-ring, Connector	
17	3852253	2	Terminal	
18	3852251	1	Plug, Connector	
19	3853943	1	Valve housing	
20	3852590	1	Ball, Manual release	
21	3852578	1	Spring, Valve, trim down	
22	3852983	4	Screw, Pump to manifold	
23	3852984	1	O-ring, Valve seat	Contents of Valve Body Seal Kit
24	3852985	1	Seat, Valve, down	
25	3852986	2	Ball, Piston, pump control	
26	3852987	2	Piston, Pump control	
27	3852988	2	O-ring, Piston, pump control	Contents of Valve Body Seal Kit
28	3852989	1	Spring, Valve core, trim up	
29	3852990	1	O-ring, Valve seat, trim up	Contents of Valve Body Seal Kit
30	3852991	1	Spring seat, Valve, trim up	
31	3852023	2	Ball, Pump inlet	
32	3852992	1	O-ring, manual release3	
33	3852993	1	Plug, Manual release	
34	3852994	1	Ring, Manual release	
35	3852995	1	O-ring, Manual release	10 1/2 in. (268 mm) full extension, from end cap to pivot pin
36	3852996	1	O-ring, Manual release	10 1/2 in. (268 mm) full extension, from end cap to pivot pin
37	3852997	1	Snap ring	
38	3853803	1	Valve, Trim up	
39	3853944	1	Valve, Manual release	
40	3853947	2	Valve	
41	3853948	1	Valve	
42	3852975	2	Spring, Check valve	
43	3853313	1	Filter, Oil	
44	3852978	1	Screw, Relay to reservoir	
45	3852166	1	O-ring, Motor to manifold	Contents of Valve Body Seal Kit
46	3852982	11	Pump, Pump	
47	3852981	2	Screw, Terminal	
48	3852978	3	Screw, Motor to manifold	
49	3852979	3	Screw, Terminal	
50	3852980	2	Screw, Terminal	
51	3852081	2	Screw, Oil line retainer	
52	3853422	2	Pin, Tilt cylinder	
53	3852648	4	Nut, Pivot pin	
54	3852568	2	Screw, Cover	
55	3852378	2	Cardboard tube, Tilt cylinder	
56	3853424	8	Grommet, Pivot pin bushing	
57	3852573	4	Washer, Pivot pin	
58		2	Retainer, Oil line	
59	3852681	2	Retainer, Cover	
60	3853423	8	Bushing, Trim & tilt cylinder	
61	3853854	1	Hydraulic hose, Starboard, down	
	3853856	1	Hydraulic hose, Port, down	
62	3853855	1	Oil line, Starboard, up	

SX-C, SX-R

REF	PART NO.	QTY	DESCRIPTION	NOTES
	3853857	1	Oil line, Port, up	
63	3852414	2	Cylinder	10 1/2 in. (268 mm) full extension, from end cap to pivot pin
64	3854247	1	Sealing kit, Cylinder	
65	3850887	1	Trimming limiter	Limits cylinders to 8 in. (203 mm) full extension from end cap to pivot pin
66	3852193	2	Washer, Wire to gimbal	
67	3853849	1	Chassie ground cable, 2-loop	
68	3852050	2	Screw, Wire to gimbal	
69	3852958	4	Cardboard tube, Pivot shaft, tilt cylinder	
70	3852581	2	Screw	
71	3853848	1	Chassie ground cable, 3-loop	
72	3854031	1	Wiring harness, Trim/tilt	
73		1	Connector	
74		1	Terminal, Ring	
75	3852251	1	Plug, Connector	
76	3852252	2	Terminal, Receptacle	
77		1	Terminal, Ring	
78	3853421	2	Spring, Ground	
79	3853825	2	Hydraulic hose, Pump to manifold	
80	3852190	2	Washer, Retainer	
81	3852165	12	O-ring, Oil line	Contents of Valve Body Seal Kit
82	3854397	1	Sealing kit, Valve body	

SX-C1, SX-C1AC, SX-R1, SX-R2



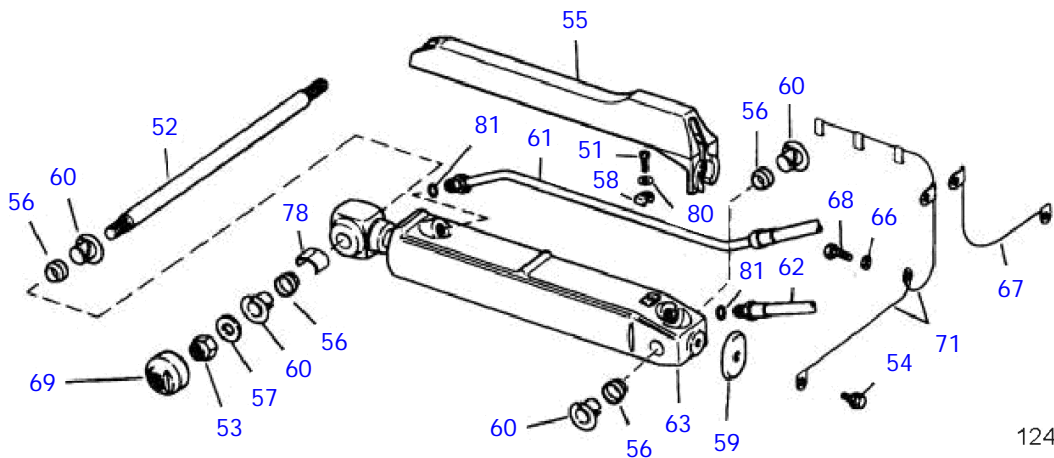
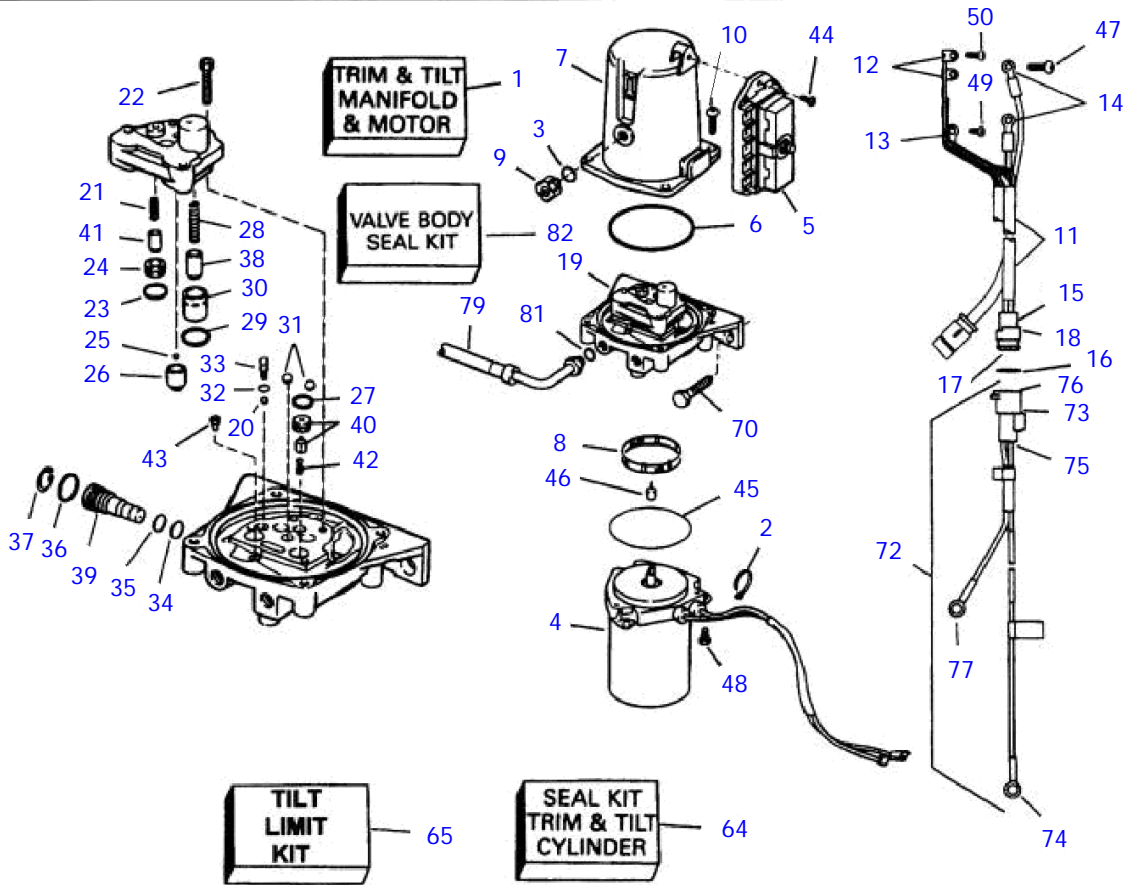
SX-C1, SX-C1AC, SX-R1, SX-R2

REF	PART NO.	QTY	DESCRIPTION	NOTES
1	3855745	1	Bracket, Trim pump	
2	948211	1	• Cable tie, Trim sender leads	
3	3852073	1	• O-ring, Plug	
4	3853945	1	• Electrical motor	
5	3853946	1	• Relay	
6	3852508	1	• O-ring	
7	3853989	1	• Tank	
8	3852974	1	• Filter	
9	3852976	1	• Plug	
10	3852977	4	Screw, Reservoir to manifold	
11	3854038	1	• Wiring harness	
12	3852251	1	• • Plug, Connector seal	
13	3852228	2	• • Cable terminal, Side	
14	3852226	1	• • Cable terminal, #8	
15		1	• • Terminal, 0.25	
16	3852250	1	• • Terminal, 2 cont plug	
17	3852537	1	• • O-ring	
18	3852253	2	• • Terminal, Receptacle, 0.312	
19	3853943	1	• Valve housing	
20	3852578	1	• Spring	
21	3852983	4	• Screw	
22	3852984	1	• O-ring	
23	3852985	1	• Seat	
24	3852986	2	• Ball, Piston	
25	3852987	1	• Piston	
26	3852988	1	• O-ring, Piston	
27	3852989	1	• Spring	
28	3852990	1	• O-ring	
29	3852991	1	• Spring seat, Valve	
30	3852023	2	• Ball, Pump intet	
31	3853803	1	• Valve	
32	3853947	2	• Valve	
33	3853948	1	• Valve	
34	3852975	2	• Spring	
35	3852166	1	• O-ring	
36	3852982	1	• Pump	
37	3852981	2	• Screw	
38	3852979	3	• Screw	
39	3852980	2	• Screw	
40	3852590	1	• • Ball, Manual release	
41	3852993	1	• • Plug, Manual release	
42	3852997	1	• • Snap ring	
43	3853944	1	• • Valve, Manual release	
44	3853313	1	• • Filter, Oil	
45	3852978	1	• Screw, Relay to reservoir	
46	3852978	3	Screw, Motor to manifold	
47	3852081	2	Screw, Retainer, oil line, tilt cyl	
48	3853422	2	Pin, Titt cylinder	
49	3852648	4	Nut, Pivot shaft, tilt cylinder	
50	3852568	2	Screw, Gover, tilt cylinder	
51	3852378	2	Cardboard tube, Titt cylinder	
52	3853424	12	Grommet, Pivot pin bushing	Part of transom seal kit
53	3852573	4	Washer	
54		2	Retainer, Oil line, tilt cylinder	
55	3852681	2	Retainer, Cover, tilt cylinder	
56	3853423	8	Bushing, , Trim & tilt cylinder	
57	3853856	1	Hydraulic hose, Manifold to cyl, port, down	
	3853854	1	Hydraulic hose, Manifold to cyl, stbd, down	
58	3853857	1	Oil line, Manifold to cyl, port, up	
	3853855	1	Oil line, Manifold to cyl, stbd, up	
59	3852414	2	Cylinder	
60	3854247	1	Sealing kit, Cylinder	
61	3850887	1	Trimming limiter	
62	3852193	1	Washer	
63	3853849	1	Chassie ground cable, 2-loop	
64	3852050	2	Screw, Ground wire to gimbal	

SX-C1, SX-C1AC, SX-R1, SX-R2

REF	PART NO.	QTY	DESCRIPTION	NOTES
65	3852958	2	Cardboard tube, Pivot pin to gimbal	
66	3852581	2	Screw	
67	3853848	1	Chassie ground cable	
68	3854031	1	Wiring harness, Trim/tilt	
69	3852251	1	• Plug, Connector seal	
70		1	• Connector	
71		1	• Terminal	
72	3852251	1	• Plug, Connector seal	
73	3852252	2	• Terminal	
74		1	• Terminal	
75	3853421	2	Spring, Ground, tilt & trim cylinder	
76	3853825	2	Hydraulic hose, Pump to manifold	
77	3852190	2	Washer, Retainer, oil line, tilt cyl	
78	3852165	12	O-ring, Oil line assy to valve body & tilt cylinder	part of 3854270
79	3854397	1	Sealing kit, Valve body, trim & tilt manifold & motor	
80	3852992	1	• O-ring	
81	3852994	1	• Ring	
82	3852995	1	• O-ring	
83	3852996	1	• O-ring	
84	3855584	1	Control unit	
		2	Decal, Volvo Penta, tilt cylinder	

SX-CLT



12477

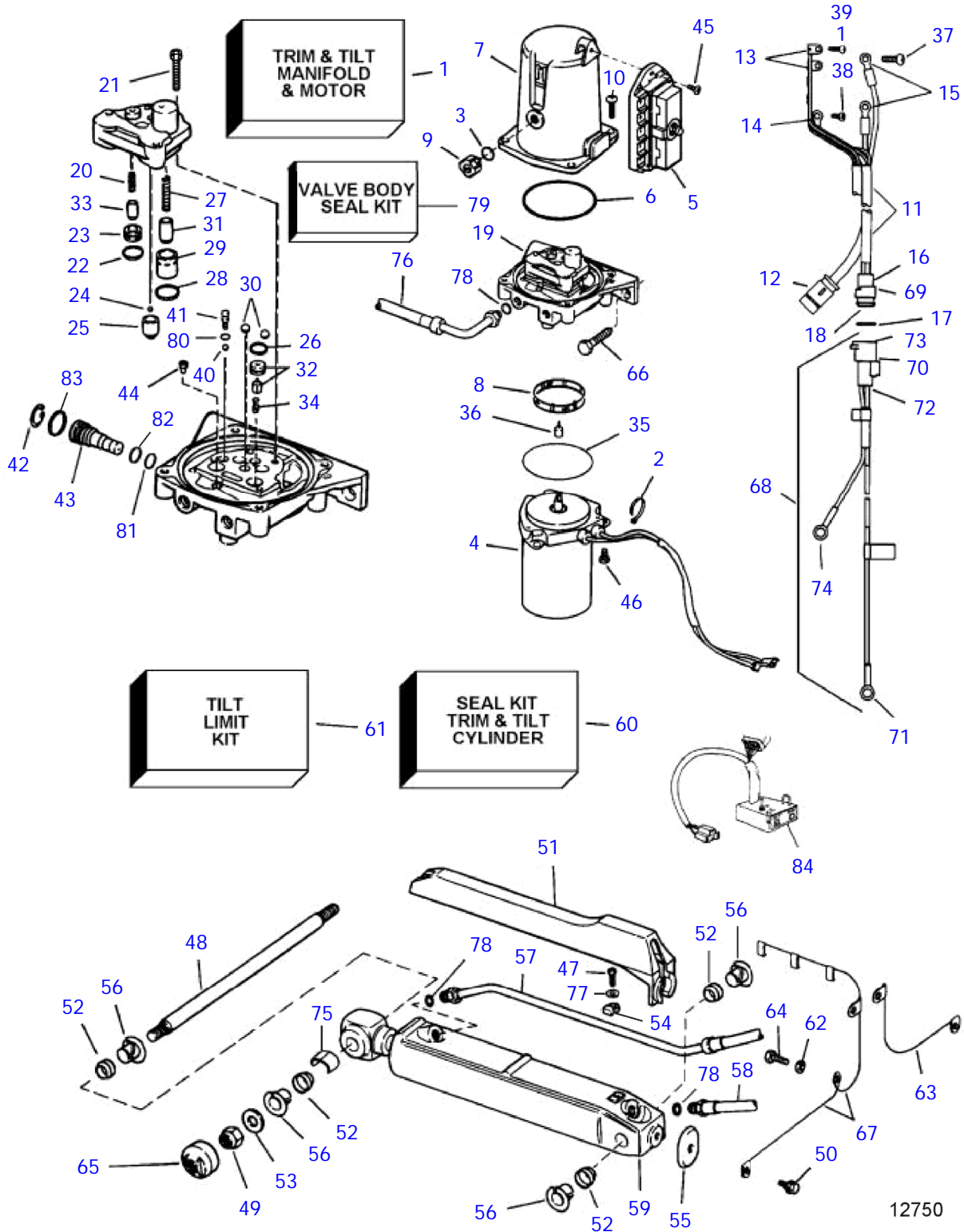
SX-CLT

REF	PART NO.	QTY	DESCRIPTION	NOTES
1	3854030	1	Hydraulic pump	has manual release valve
	3855334	1	Hydraulic pump	NO manual release valve
2		1	• Cable tie	
3	3852073	1	• O-ring, Plug	Contents of valve body seal kit.
4	3853945	1	• Electrical motor	
5	3853946		• Relay	
6	3852508	1	• O-ring, Reservoir	Contents of valve body seal kit.
7	3853989	1	• Tank	
8	3852974	1	• Filter	
9	3852976	1	• Plug, Fill hole	
10	3852977	4	• Screw, Reservoir to manifold	
11	3854038	1	• Wiring harness	
12	3852228	2	• • Cable terminal	
13	3852226	1	• • Cable terminal	
14		2	• • Terminal	
15	3852250	1	• • Terminal	
16	3852537	1	• • O-ring, Connector	
17	3852253	2	• • Terminal	
18	3852251	1	• Plug, Connector	
19	3853943	1	• Valve housing	
20	3852590	1	• • Ball, Manual release	
21	3852578	1	• • Spring, Valve, trim down	
22	3852983	4	• • Screw, Pump to manifold	
23	3852984	1	• • O-ring, Valve seal	
24	3852985	1	• • Seat, Valve, trim down	
25	3852986	2	• • Ball, Piston, pump control	
26	3852987	2	• • Piston, Pump control	
27	3852988	2	• • O-ring, Piston, pump control	Contents of valve body seal kit.
28	3852989	1	• • Spring, Valve core, trim up	
29	3852990	1	• • O-ring, Valve seat, trim up	Contents of valve body seal kit.
30	3852991	1	• • Spring seat, Valve, trim up	
31	3852023	2	• • Ball, Pump inlet	
32	3852992	1	• • O-ring, Cap, manual release	Contents of valve body seal kit.
33	3852993	1	• • Plug, Manual release	
34	3852994	1	• • Ring, Manual release	
35	3852995	1	• • O-ring, Manual release	Contents of valve body seal kit.
36	3852996	1	• • O-ring, Manual release	Contents of valve body seal kit.
37	3852997	1	• • Snap ring	
38	3853803	1	• • Valve, Trim up	
39	3853944	1	• • Valve, Manual release	
40	3853947	2	• • Valve	
41	3853948	1	• • Valve	
42	3852975	2	• • Spring, Check valve	
43	3853313	1	Filter, Oil	
44	3852978	1	• Screw, Relay to reservoir	
45	3852166	1	• O-ring, Motor to manifold	Contents of valve body seal kit.
46	3852982	1	• Pump, Pump	
47	3852981	2	• Screw, Terminal	
48	3852978	3	• Screw, Motor to manifold	
49	3852979	3	• Screw, Terminal	
50	3852980	2	• Screw, Terminal	
51	3852081	2	Screw, Oil line retainer	
52	3853422	2	Pin, Tilt cylinder	
53	3852648	4	Nut, Pivot pin	
54	3852568	2	Screw, Cover	
55	3852378	2	Cardboard tube, Tilt cylinder	
56	3853424	8	Grommet, Pivot pin bushing	
57	3852573	4	Washer, Pivot pin	
58		2	Retainer, Oil line	
59	3852681	2	Retainer, Cover	
60	3853423	8	Bushing, Trim & tilt cylinder	
61	3853854	1	Hydraulic hose, Starboard, down	
	3853856	1	Hydraulic hose, Port, down	
62	3853855	1	Oil line, up	
	3853857	1	Oil line, up	

SX-CLT

REF	PART NO.	QTY	DESCRIPTION	NOTES
63	3850683	2	Cylinder	Limited cylinder - 8 in. (203mm) full extension from end cap to pivot pin. "L" stamped on trim rod eyelet
64	3854247	1	• Sealing kit, Cylinder	
65	3850887	1	• Trimming limiter	Limited cylinder - 8 in. (203mm) full extension from end cap to pivot pin. "L" stamped on trim rod eyelet., Optional - regular trim
66	3852193	2	Washer, Wire to gimbal	
67	3853849	1	Chassie ground cable, 2-loop	
68	3852050	2	Screw, Wire to gimbal	
69	3852958	4	Cardboard tube, Pivot shaft, tilt cylinder	
70	3852581	2	Screw	
71	3853848	1	Chassie ground cable, 3-loop	
72	3854031	1	Wiring harness, Trim/tilt	
73		1	• Connector	
74		1	• Terminal, Ring	
75	3852251	1	• Plug, Connector	
76	3852252	2	• Terminal, Receptacle	
77		1	• Terminal, Ring	
78	3853421	2	Spring, Ground	
79	3853825	2	Hydraulic hose, Pump to manifold	
80	3852190	2	Washer, Retainer	
81	3852165	12	O-ring, Oil line	Contents of valve body seal kit.
82	3854397	1	Sealing kit, Valve body	
	3855359	2	Decal, SX Cobra	

SX-CLT1



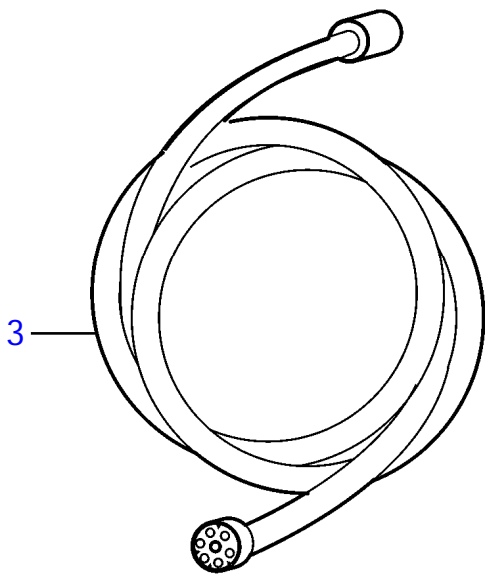
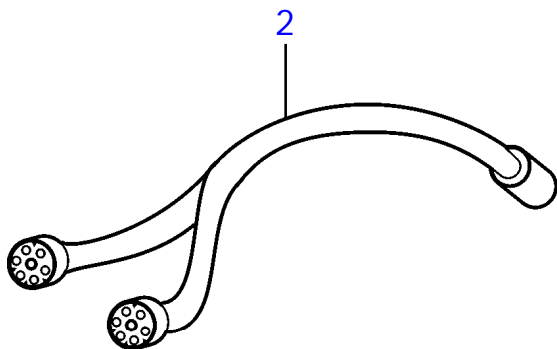
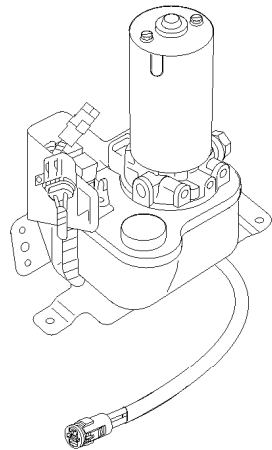
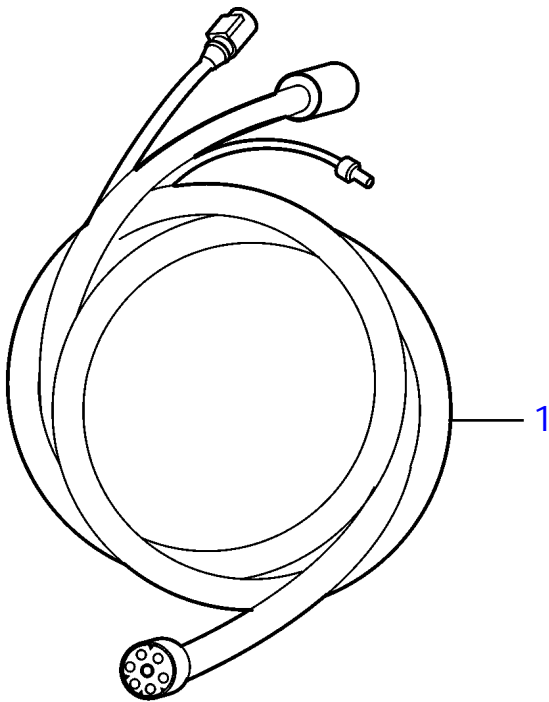
SX-CLT1

REF	PART NO.	QTY	DESCRIPTION	NOTES
1	3855745	1	Bracket, Trim pump	
2	948211	1	• Cable tie, Trim sender leads	
3	3852073	1	• O-ring, Plug	
4	3853945	1	• Electrical motor	
5	3853946	1	• Relay	
6	3852508	1	• O-ring	
7	3853989	1	• Tank	
8	3852974	1	• Filter	
9	3852976	1	• Plug	
10	3852977	4	Screw, Reservoir to manifold	
11	3854038	1	• Wiring harness	
12	3852251	1	• • Plug, Connector seal	
13	3852228	2	• • Cable terminal, Side	
14	3852226	1	• • Cable terminal, #8	
15		1	• • Terminal, 0.25	
16	3852250	1	• • Terminal, 2 cont plug	
17	3852537	1	• • O-ring	
18	3852253	2	• • Terminal, Receptacle, 0.312	
19	3853943	1	• Valve housing	
20	3852578	1	• Spring	
21	3852983	4	• Screw	
22	3852984	1	• O-ring	
23	3852985	1	• Seat	
24	3852986	2	• Ball, Piston	
25	3852987	1	• Piston	
26	3852988	1	• O-ring, Piston	
27	3852989	1	• Spring	
28	3852990	1	• O-ring	
29	3852991	1	• Spring seat, Valve	
30	3852023	2	• Ball, Pump intet	
31	3853803	1	• Valve	
32	3853947	2	• Valve	
33	3853948	1	• Valve	
34	3852975	2	• Spring	
35	3852166	1	• O-ring	
36	3852982	1	• Pump	
37	3852981	2	• Screw	
38	3852979	3	• Screw	
39	3852980	2	• Screw	
40	3852590	1	• • Ball, Manual release	
41	3852993	1	• • Plug, Manual release	
42	3852997	1	• • Snap ring	
43	3853944	1	• • Valve, Manual release	
44	3853313	1	• • Filter, Oil	
45	3852978	1	• Screw, Relay to reservoir	
46	3852978	3	Screw, Motor to manifold	
47	3852081	2	Screw, Retainer, oil line, tilt cyl	
48	3853422	2	Pin, Tilt cylinder	
49	3852648	4	Nut, Pivot shaft, tilt cylinder	
50	3852568	2	Screw, Gover, tilt cylinder	
51	3852378	2	Cardboard tube, Tilt cylinder	
52	3853424	12	Grommet, Pivot pin bushing	Part of transom seal kit
53	3852573	4	Washer	
54		2	Retainer, Oil line, tilt cylinder	
55	3852681	2	Retainer, Cover, tilt cylinder	
56	3853423	8	Bushing, , Trim & tilt cylinder	
57	3853856	1	Hydraulic hose, Manifold to cyl, port, down	
	3853854	1	Hydraulic hose, Manifold to cyl, stbd, down	
58	3853857	1	Oil line, Manifold to cyl, port, up	
	3853855	1	Oil line, Manifold to cyl, stbd, up	
59	3850683	2	Cylinder	
60	3854247	1	Sealing kit, Cylinder	
61	3850887	1	Trimming limiter	
62	3852193	1	Washer	
63	3853849	1	Chassie ground cable, 2-loop	
64	3852050	2	Screw, Ground wire to gimbal	

SX-CLT1

REF	PART NO.	QTY	DESCRIPTION	NOTES
65	3852958	2	Cardboard tube, Pivot pin to gimbal	
66	3852581	2	Screw	
67	3853848	1	Chassie ground cable	
68	3854031	1	Wiring harness, Trim/tilt	
69	3852251	1	• Plug, Connector seal	
70		1	• Connector	
71		1	• Terminal	
72	3852251	1	• Plug, Connector seal	
73	3852252	2	• Terminal	
74		1	• Terminal	
75	3853421	2	Spring, Ground, tilt & trim cylinder	
76	3853825	2	Hydraulic hose, Pump to manifold	
77	3852190	2	Washer, Retainer, oil line, tilt cyl	
78	3852165	12	O-ring, Oil line assy to valve body & tilt cylinder	part of 3854270
79	3854397	1	Sealing kit, Valve body, trim & tilt manifold & motor	
80	3852992	1	• O-ring	
81	3852994	1	• Ring	
82	3852995	1	• O-ring	
83	3852996	1	• O-ring	
84	3855584	1	Control unit	
		2	Decal, Volvo Penta, tilt cylinder	

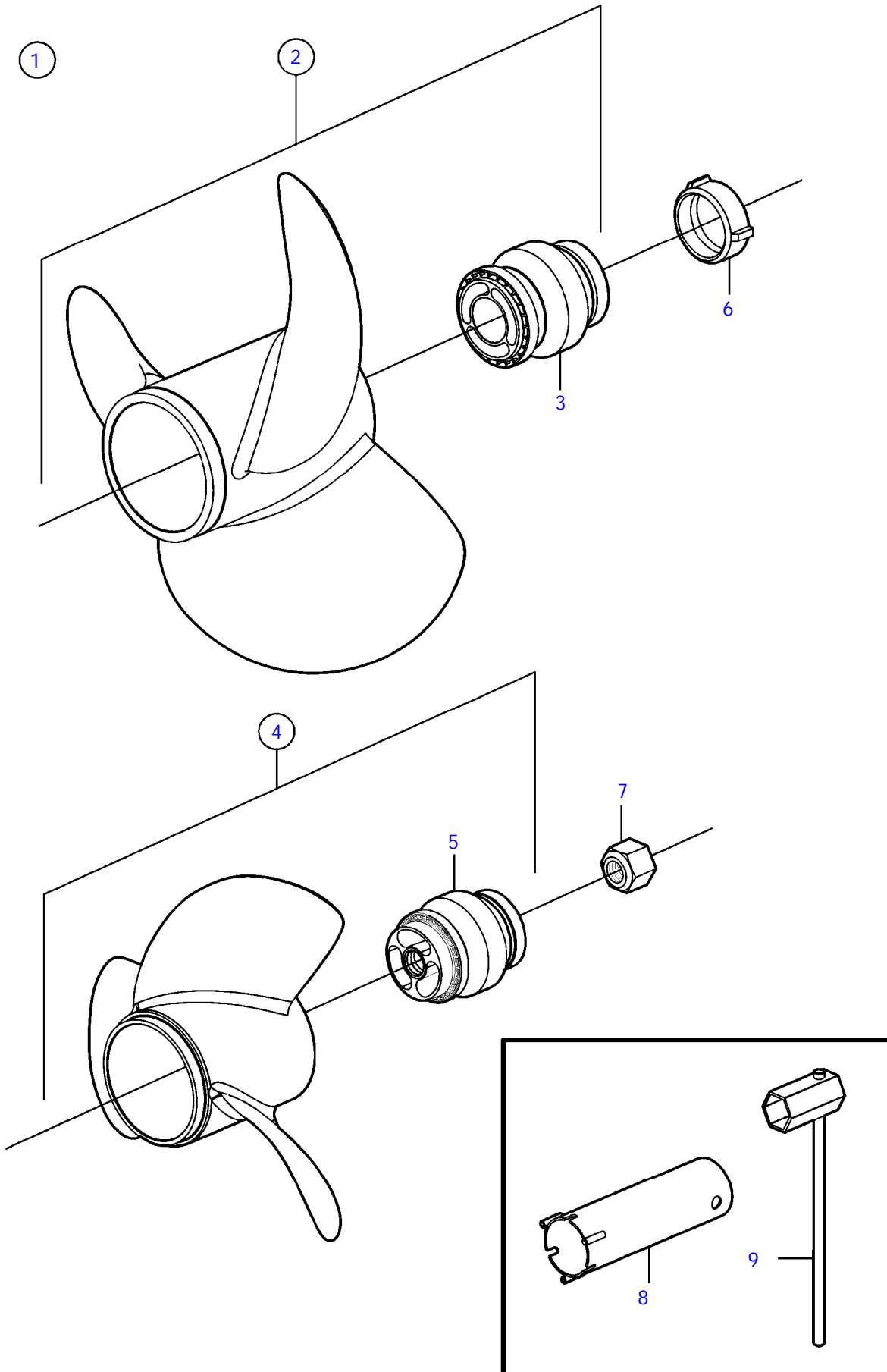
SX-C, SX-C1, SX-C2, SX-C1AC, SX-C2AC, SX-CLT, SX-CLT1



24648



DP-S, DP-S1



18080

Upd:2010-06-03

18080

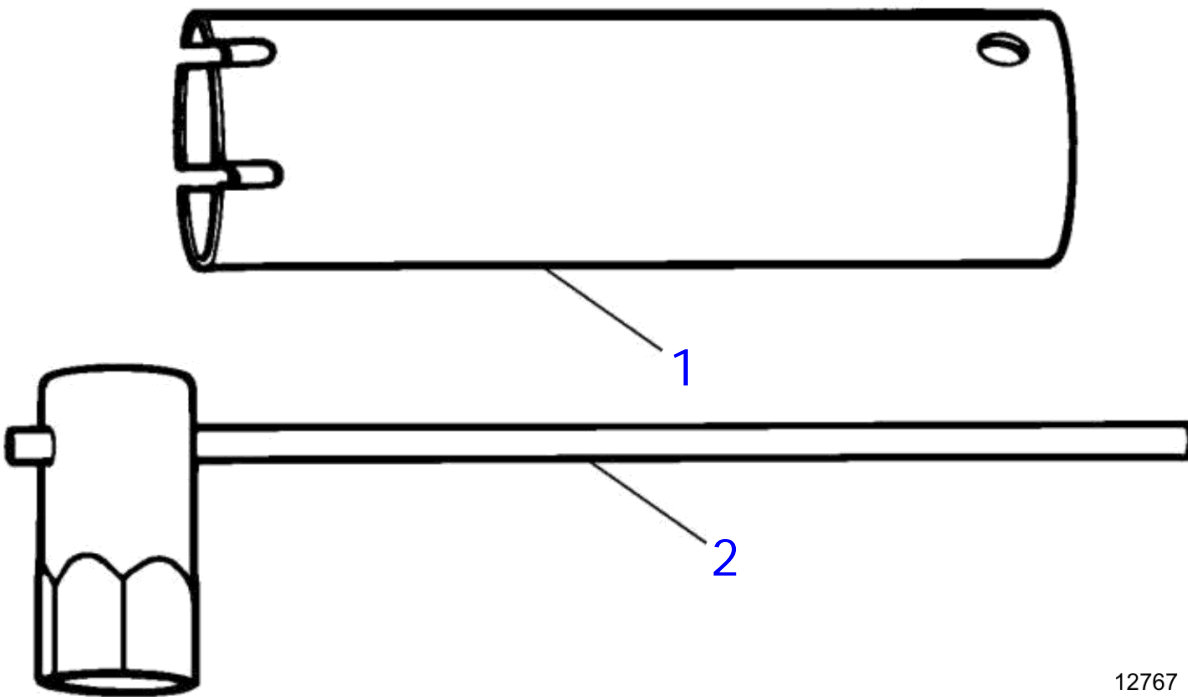
7749307-44-4619



DP-S, DP-S1

REF	PART NO.	QTY	DESCRIPTION	SEE SEC.	NOTES
1	3851480	1	Propeller, aluminum		SET, D0
			• Bulletin P-44-7-1	P-44-7-1-EN	Duoprop Propellers
1	3851481	1	Propeller, aluminum		SET, D1
	3851482	1	Propeller, aluminum		SET, D2
	3851483	1	Propeller, aluminum		SET, D3
	3851484	1	Propeller, aluminum		SET, D4
	3856365	1	Propeller, aluminum		SET, D5
	3856366	1	Propeller, aluminum		SET, D6
	3856367	1	Propeller, aluminum		SET, D7
	3857563	1	Propeller, stainless steel		SET, F2
	3857564	1	Propeller, stainless steel		SET, F3
	3851494	1	Propeller, stainless steel		SET, F4
	3851495	1	Propeller, stainless steel		SET, F5
	3851496	1	Propeller, stainless steel		SET, F6
	3851497	1	Propeller, stainless steel		SET, F7
	3851498	1	Propeller, stainless steel		SET, F8
	3851499	1	Propeller, stainless steel		SET, F9
2	3851420	1	• Propeller, aluminum		FRONT, D0
	3851421	1	• Propeller, aluminum		FRONT, D1
	3851422	1	• Propeller, aluminum		FRONT, D2
	3851423	1	• Propeller, aluminum		FRONT, D3
	3851424	1	• Propeller, aluminum		FRONT, D4
	3856345	1	• Propeller, aluminum		FRONT, D5
	3856346	1	• Propeller, aluminum		FRONT, D6
	3856347	1	• Propeller, aluminum		FRONT, D7
	3857557	1	• Propeller, stainless steel		FRONT, F2
	3857559	1	• Propeller, stainless steel		FRONT, F3
	3851464	1	• Propeller, stainless steel		FRONT, F4
	3851465	1	• Propeller, stainless steel		FRONT, F5
	3851466	1	• Propeller, stainless steel		FRONT, F6
	3851467	1	• Propeller, stainless steel		FRONT, F7
	3851468	1	• Propeller, stainless steel		FRONT, F8
	3851469	1	• Propeller, stainless steel		FRONT, F9
3	3851258	1	• • Bushing, front		
4	3851440	1	• Propeller, aluminum		REAR, D0
	3851441	1	• Propeller, aluminum		REAR, D1
	3851442	1	• Propeller, aluminum		REAR, D2
	3851443	1	• Propeller, aluminum		REAR, D3
	3851444	1	• Propeller, aluminum		REAR, D4
	3856355	1	• Propeller, aluminum		REAR, D5
	3856356	1	• Propeller, aluminum		REAR, D6
	3856357	1	• Propeller, aluminum		REAR, D7
	3857558	1	• Propeller, stainless steel		REAR, F2
	3857560	1	• Propeller, stainless steel		REAR, F3
	3851474	1	• Propeller, stainless steel		REAR, F4
	3851475	1	• Propeller, stainless steel		REAR, F5
	3851476	1	• Propeller, stainless steel		REAR, F6
	3851477	1	• Propeller, stainless steel		REAR, F7
	3851478	1	• Propeller, stainless steel		REAR, F8
	3851479	1	• Propeller, stainless steel		REAR, F9
5	3851259	1	• • Bushing, rear		
6	3851569	1	Propeller nut, front		
7	3851341	1	Propeller nut, rear		
8	3862797	1	Tool, front		
9	3862808	1	Tool, rear		

DP-S, DP-S1

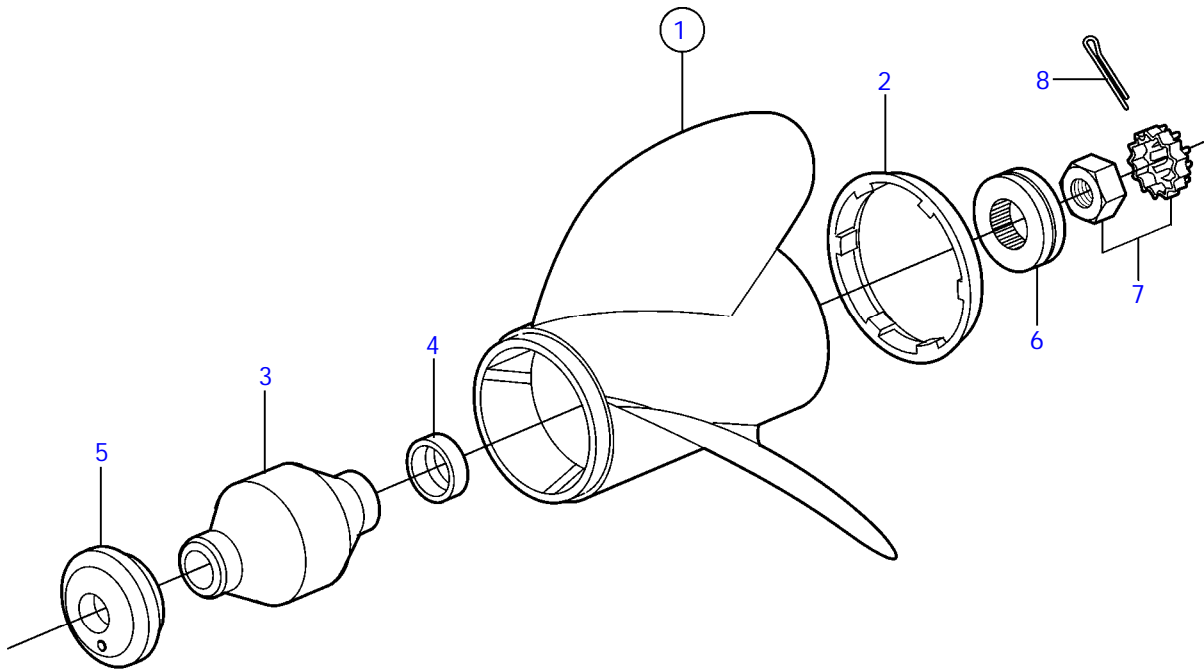


12767

DP-S, DP-S1

REF	PART NO.	QTY	DESCRIPTION
1	3855516	1	Tool kit, DP-S
	3851615	1	• Tool, Propeller nut, front
2	3851616	1	• Tool, Propeller nut, rear

SX-C, SX-C1, SX-CT, SX-CT1

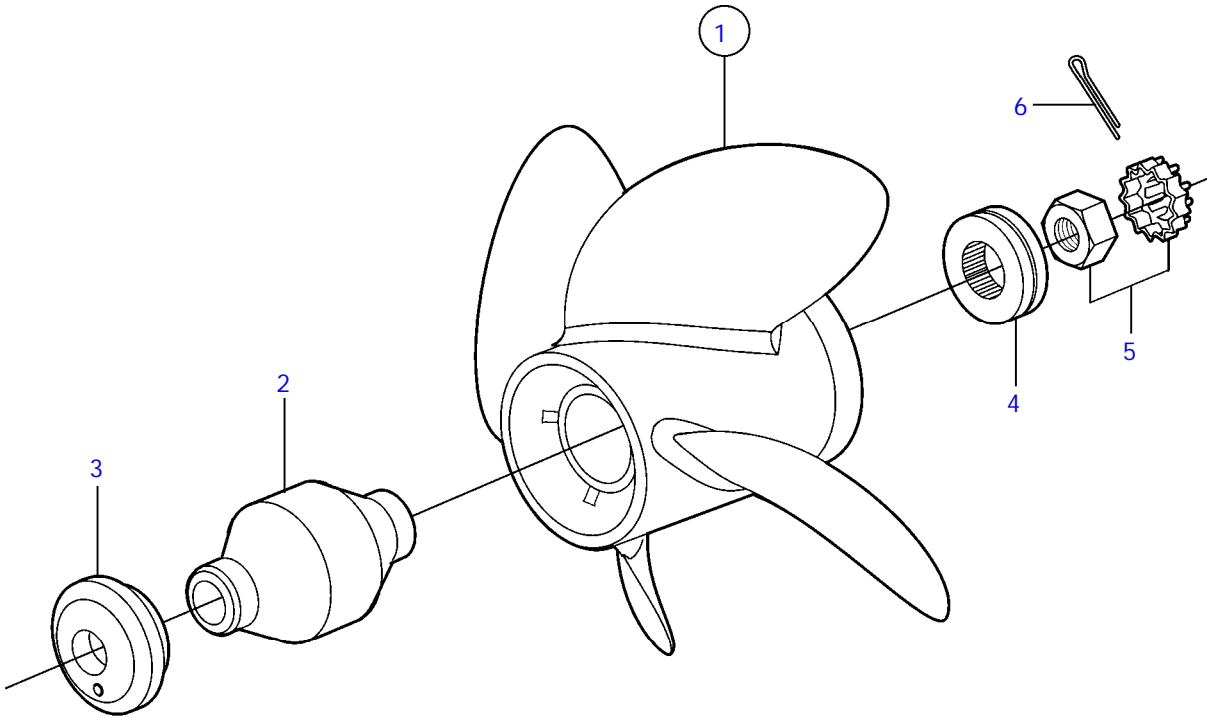


19627

SX-C, SX-C1, SX-CT, SX-CT1

REF	PART NO.	QTY	DESCRIPTION	SEE SEC.	NOTES
1	3855481	1	Propeller, 14½ x 19		LR, aluminum
	3855480	1	Propeller, 15 x 17		LR, aluminum
	3855476	1	Propeller, 15½ x 12		LR, aluminum
	3855477	1	Propeller, 15½ x 13		LR, aluminum
	3855478	1	Propeller, 15½ x 14		LR, aluminum
	3855479	1	Propeller, 15½ x 15		LR, aluminum
	3850302	1	Propeller, 14¼ x 21		RR, aluminum
	3850303	1	Propeller, 14¼ x 23		RR, aluminum
	3850301	1	Propeller, 14½ x 19		RR, aluminum
	3850300	1	Propeller, 15 x 17		RR, aluminum
	3850298	1	Propeller, 15½ x 13		RR, aluminum
	3850299	1	Propeller, 15½ x 15		RR, aluminum
	3850318	1	Propeller, 14¼ x 21		LR, stainless steel
			• Bulletin 56-11	56-11-EN	Replacement of SX Propellers
1		1	Propeller, 14¼ x 23		LR, stainless steel
			• Bulletin 56-11	56-11-EN	Replacement of SX Propellers
1	3850317	1	Propeller, 14½ x 19		LR, stainless steel
			• Bulletin 56-11	56-11-EN	Replacement of SX Propellers
1		1	Propeller, 15 x 15		LR, stainless steel
		1	Propeller, 15 x 17		LR, stainless steel
			• Bulletin 56-11	56-11-EN	Replacement of SX Propellers
1	3850309	1	Propeller, 14¼ x 21		RR, stainless steel
			• Bulletin 56-11	56-11-EN	Replacement of SX Propellers
1	3850310	1	Propeller, 14¼ x 23		RR, stainless steel
			• Bulletin 56-11	56-11-EN	Replacement of SX Propellers
1	3850308	1	Propeller, 14½ x 19		RR, stainless steel
			• Bulletin 56-11	56-11-EN	Replacement of SX Propellers
1		1	Propeller, 15 x 15		RR, stainless steel
		1	Propeller, 15 x 16		RR, stainless steel
	3850307	1	Propeller, 15 x 17		RR, stainless steel
			• Bulletin 56-11	56-11-EN	Replacement of SX Propellers
1		1	Propeller, 15½ x 14		RR, stainless steel
	3850322	1	Propeller, 14¼ x 21		LR, polished stainless steel
			• Bulletin 56-11	56-11-EN	Replacement of SX Propellers
1	3850323	1	Propeller, 14¼ x 23		LR, polished stainless steel
			• Bulletin 56-11	56-11-EN	Replacement of SX Propellers
1	3850321	1	Propeller, 14½ x 19		LR, polished stainless steel
			• Bulletin 56-11	56-11-EN	Replacement of SX Propellers
1		1	Propeller, 15 x 17		LR, polished stainless steel
			• Bulletin 56-11	56-11-EN	Replacement of SX Propellers
1	3850313	1	Propeller, 14¼ x 21		RR, polished stainless steel
			• Bulletin 56-11	56-11-EN	Replacement of SX Propellers
1	3850314	1	Propeller, 14¼ x 23		RR, polished stainless steel
			• Bulletin 56-11	56-11-EN	Replacement of SX Propellers
1	3850312	1	Propeller, 14½ x 19		RR, polished stainless steel
			• Bulletin 56-11	56-11-EN	Replacement of SX Propellers
1	3850311	1	Propeller, 15 x 17		RR, polished stainless steel
			• Bulletin 56-11	56-11-EN	Replacement of SX Propellers
2	3854241	1	• Ring		
3	3850324	1	• Bushing		
4	3850831	1	• • Sleeve		
5	3852020	1	• Bushing		
6	3852350	1	Spacer		
7	3850984	1	Propeller nut		
		1	• Nut		not sold separately
		1	• Retainer		not sold separately
8	3852056	1	Split pin		

SX-C, SX-C1

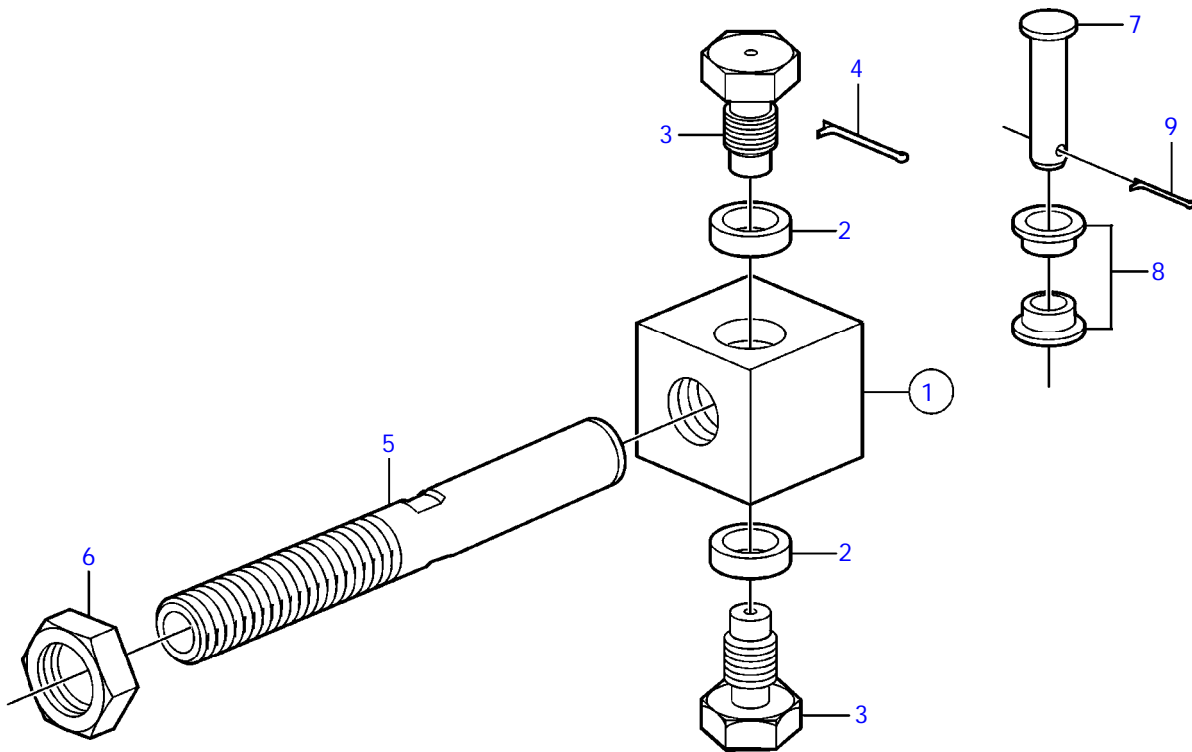


19812

SX-C, SX-C1

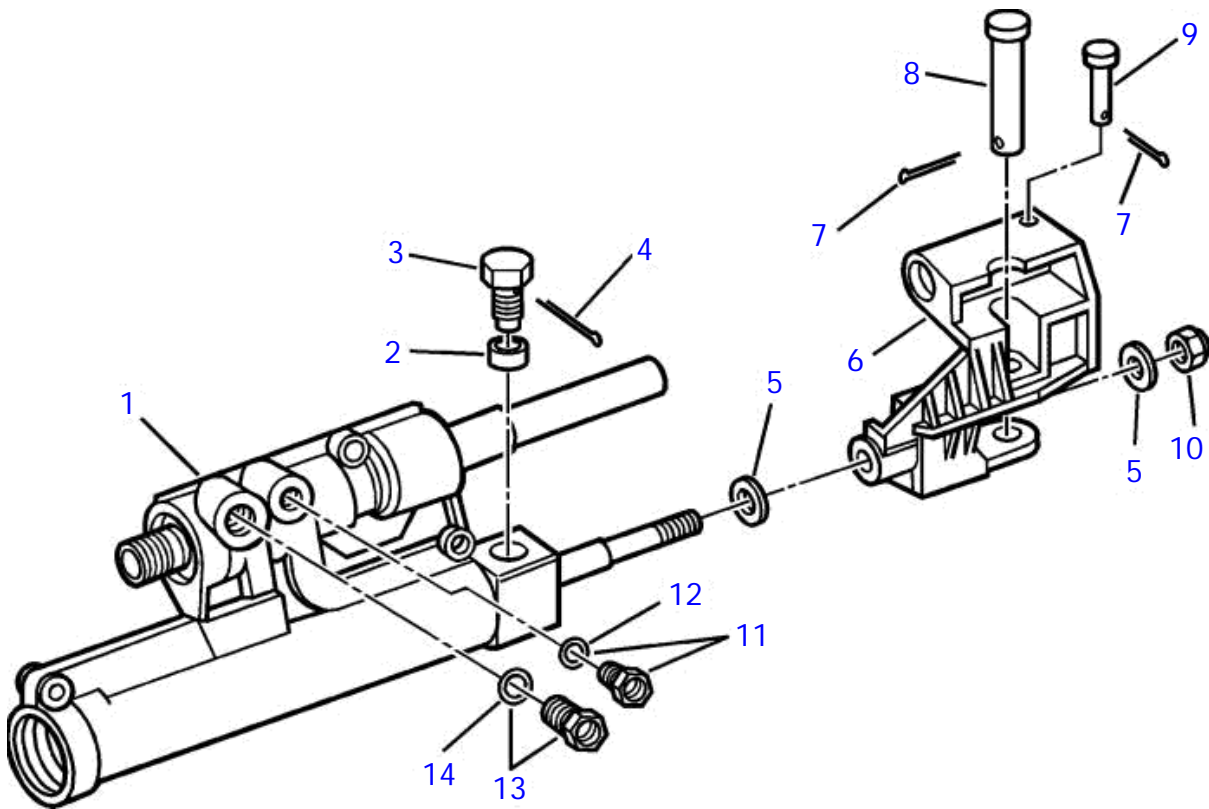
REF	PART NO.	QTY	DESCRIPTION	NOTES
1		1	Propeller, 14½ x 20	LR, stainless steel
		1	Propeller, 14½ x 22	LR, stainless steel
		1	Propeller, 14½ x 24	LR, stainless steel
		1	Propeller, 14½ x 26	LR, stainless steel
		1	Propeller, 14½ x 20	RR, stainless steel
		1	Propeller, 14½ x 22	RR, stainless steel
		1	Propeller, 14½ x 24	RR, stainless steel
		1	Propeller, 14½ x 26	RR, stainless steel
2		1	• Hub	not sold separately
3	3852020	1	Bushing	
4	3852350	1	Spacer	
5	3850984	1	Propeller nut	
		1	• Nut	not sold separately
		1	• Retainer	not sold separately
6	3852056	1	Split pin	

SX-C, SX-C1, SX-C2, SX-R, SX-C1AC, SX-C2AC, SX-R1, SX-R2, SX-CLT, SX-CLT1



19081

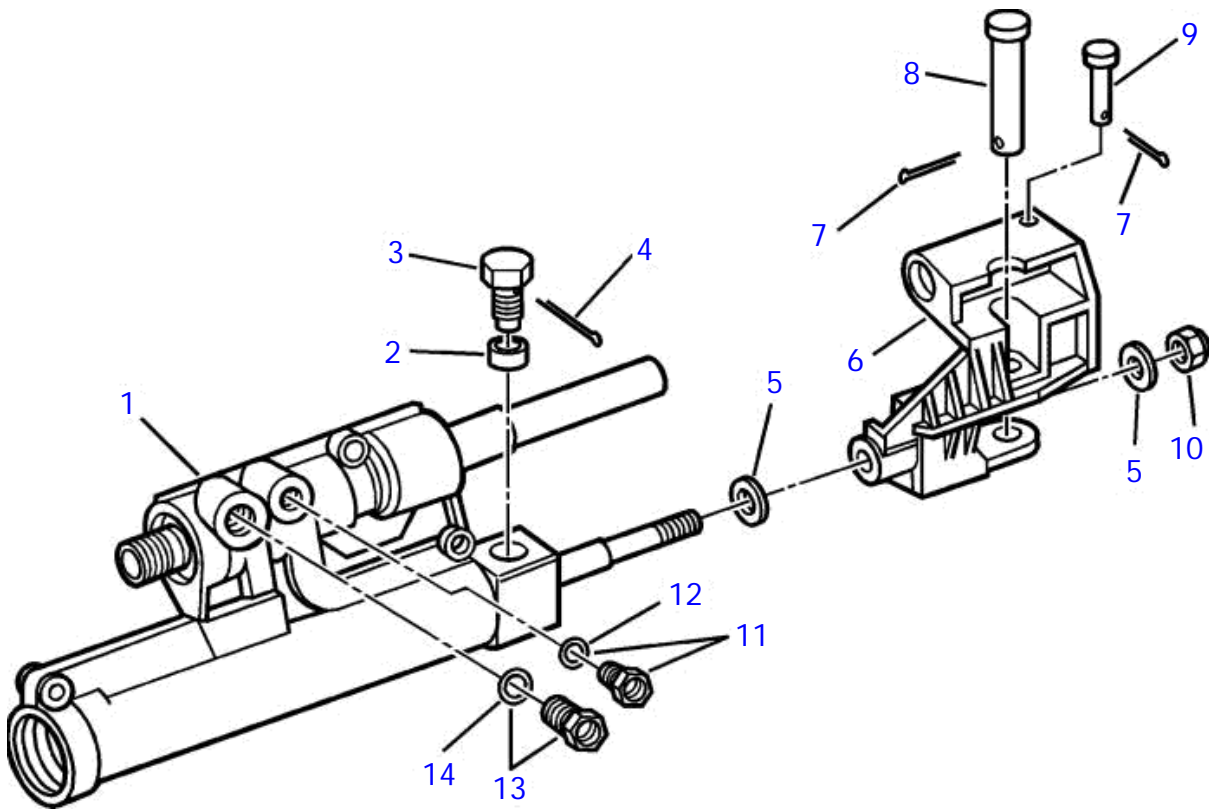
SX-C, SX-R, SX-CLT



SX-C, SX-R, SX-CLT

REF	PART NO.	QTY	DESCRIPTION	NOTES
1	3854878	1	Steering cylinder	SX-C, SX-CLT
	3854879	1	Steering cylinder	SX-R, Diesel
2	3852582	2	• Bushing	
3	3850931	2	• Screw	
4	3853376	2	• Split pin	
5	3853305	2	• Washer	
6		1	• Clevis	
7	3852255	2	• • Split pin	
8	3853308	1	• Split pin	
9	3853307	1	• Clevis pin	
10	3853306	1	• Nut	
11	3853393	1	• Screw	
12	3852587	1	• • O-ring	
13	3853994	1	• Fitting	
14	3852517	1	• • O-ring, Steering anchor	

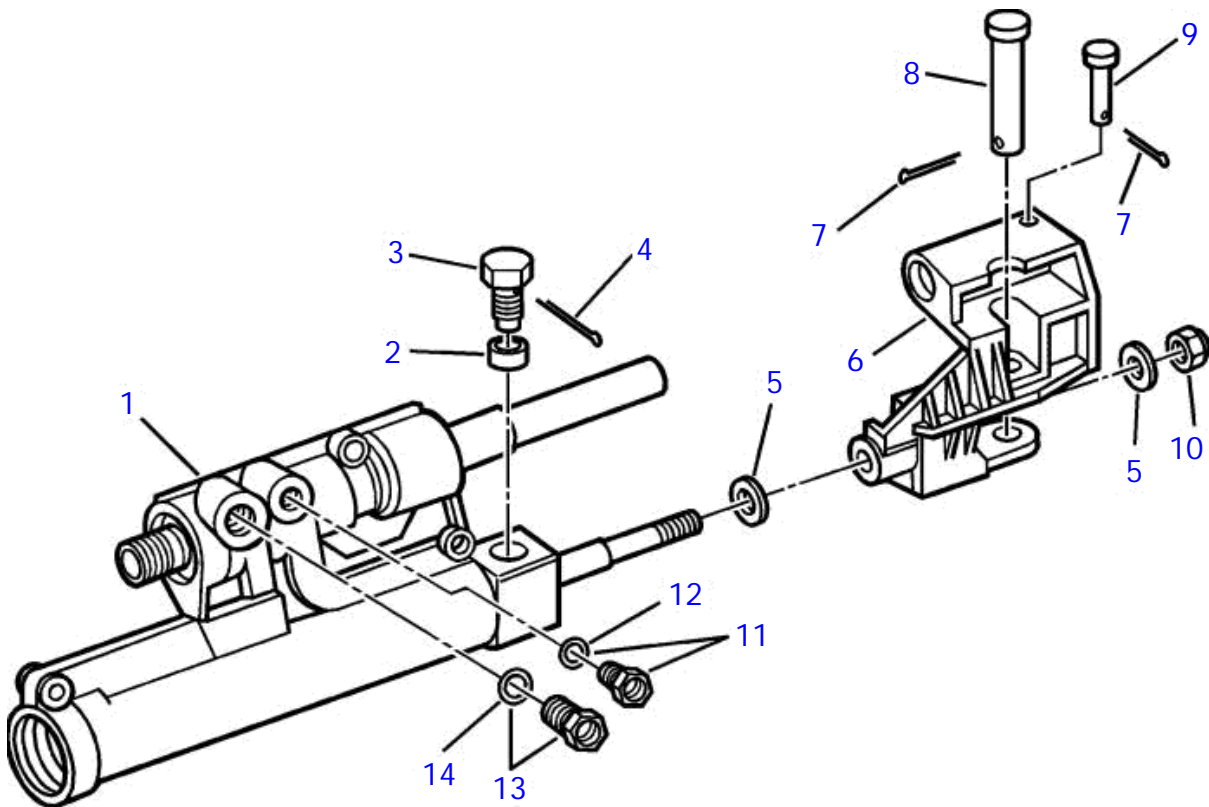
SX-C1, SX-C1AC, SX-R1, SX-CLT1



SX-C1, SX-C1AC, SX-R1, SX-CLT1

REF	PART NO.	QTY	DESCRIPTION	NOTES
1	3856710	1	Steering cylinder	Gas
	3856711	1	Steering cylinder	Diesel
2	3852582	2	• Bushing	
3	3850931	2	• Screw	
4	3853376	2	• Split pin	
5	3853305	2	• Washer	
6		1	• Clevis	
7	3852255	2	• Split pin	
8	3853308	1	• Split pin	
9	3853307	1	• Clevis pin	
10	3853306	1	• Nut	
11	3853993	1	• Fitting	
12	3852587	1	• • O-ring	
13	3853994	2	• Fitting	
14	3852517	2	• • O-ring	

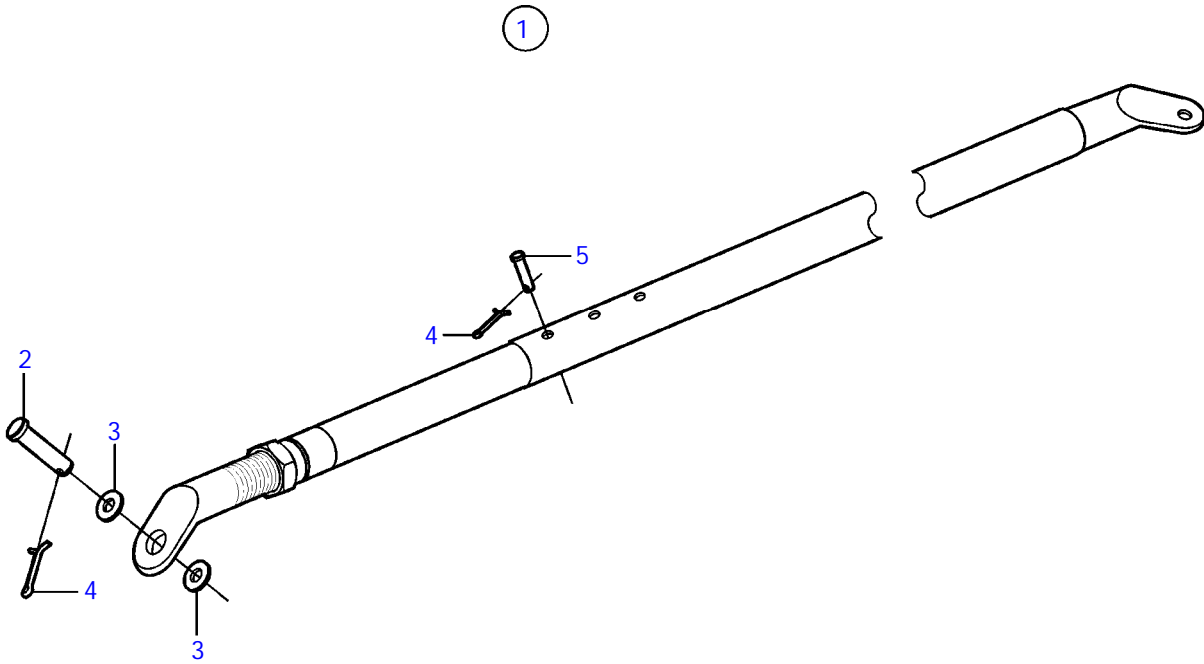
SX-C1, SX-C2, SX-C1AC, SX-C2AC, SX-R1, SX-R2, SX-CLT1



SX-C1, SX-C2, SX-C1AC, SX-C2AC, SX-R1, SX-R2, SX-CLT1

REF	PART NO.	QTY	DESCRIPTION	NOTES
1	3858128	1	Steering cylinder	Gas
	3858144	1	Steering cylinder	Diesel
2	3852582	2	• Bushing	
3	3850931	2	• Screw	
4	3853376	2	• Split pin	
5	3853305	2	• Washer	
6		1	• Clevis	
7	3852255	2	• Split pin	
8	3853308	1	• Split pin	
9	3853307	1	• Clevis pin	
10	3853306	1	• Nut	
11	3853993	1	• Fitting	
12	3852587	1	• • O-ring	
13	3853994	1	• Fitting	
14	3852517	1	• • O-ring	

SX-C, SX-C1, SX-C2, SX-C1AC, SX-C2AC, SX-CLT, SX-CLT1



18085

SX-C, SX-C1, SX-C2, SX-C1AC, SX-C2AC, SX-CLT, SX-CLT1

REF	PART NO.	QTY	DESCRIPTION	NOTES
1	3850885	1	Link rod kit	L=26-41"(0.66-1.04M)
	3850886	1	Link rod kit	L=33-48"(0.84-1.22M)
2	3855225	2	• Clevis pin	
3	3855226	4	• Washer	
4	3852255	3	• Split pin	
5	3855224	1	• Clevis pin	

DESCRIPTION	SEE SEC.	NOTES
Drive Unit, complete	35234	SX-C, SX-C1, SX-C2, SX-CT, SX-CT1, SX-R, SX-RT1, SX-RT2
Drive Unit, complete	35233	DP-S, DP-S1
Inner Transom Plate	35231	SX-C, SX-C1, SX-C2, SX-R, SX-C1AC, SX-C2AC, SX-R1, SX-R2, SX-CLT, SX-CLT1
Transom Shield	10670	SX-C, SX-C1, SX-C2, SX-R, SX-C1AC, SX-R1, SX-R2, SX-CLT, SX-CLT1
Upper Gear Unit	10353	SX-C, SX-CT, SX-R
Upper Gear Unit	10681	SX-C1, SX-CT1, SX-RT1, DP-S
Upper Gear Unit	11280	SX-C2, SX-RT2, DP-S1
Lower Gear Unit	10354	SX-C, SX-CT, SX-R
Lower Gear Unit	10688	SX-C1, SX-CT1, SX-RT1
Lower Gear Unit	11282	SX-C2, SX-RT2
Lower Gear Unit	10689	DP-S
Lower Gear Unit	11284	DP-S1
Extension Kit 1"	6246	SX-C, SX-C1, SX-C2, SX-CT, SX-CT1, SX-R, SX-RT1, SX-RT2, DP-S, DP-S1, SX-R1, SX-R2
Active Corrosion Protection, universal mount, early version	6237	SX-C, SX-C1, SX-C2, SX-C1AC, SX-C2AC, SX-CLT, SX-CLT1
Water and Exhaust Block Off Kits	35387	SX-C, SX-C1, SX-C2, SX-C1AC, SX-C2AC, SX-CLT, SX-CLT1
Active Corrosion Protection, early version	7944	SX-C, SX-R, SX-C1AC, SX-C2AC, SX-CLT, SX-CLT1
Power Trim System	10430	SX-C, SX-R
Power Trim System	10690	SX-C1, SX-C1AC, SX-R1, SX-R2
Power Trim System	10355	SX-CLT
Power Trim System	35247	SX-CLT1
Trim Harnesses	10854	SX-C, SX-C1, SX-C2, SX-C1AC, SX-C2AC, SX-CLT, SX-CLT1
Duoprop Propeller	4619	DP-S, DP-S1
Propeller Tool Kit	10863	DP-S, DP-S1
Propeller, 3-blade	10855	SX-C, SX-C1, SX-CT, SX-CT1
Propeller, High Performance	10856	SX-C, SX-C1

--

DESCRIPTION	SEE SEC.	NOTES
Steering, manual	5614	SX-C, SX-C1, SX-C2, SX-R, SX-C1AC, SX-C2AC, SX-R1, SX-R2, SX-CLT, SX-CLT1
Steering Cylinder	10358	SX-C, SX-R, SX-CLT
Steering Cylinder	10691	SX-C1, SX-C1AC, SX-R1, SX-CLT1
Steering Cylinder	11275	SX-C1, SX-C2, SX-C1AC, SX-C2AC, SX-R1, SX-R2, SX-CLT1
Tie Bar Kit	35393	SX-C, SX-C1, SX-C2, SX-C1AC, SX-C2AC, SX-CLT, SX-CLT1

--	--	--



