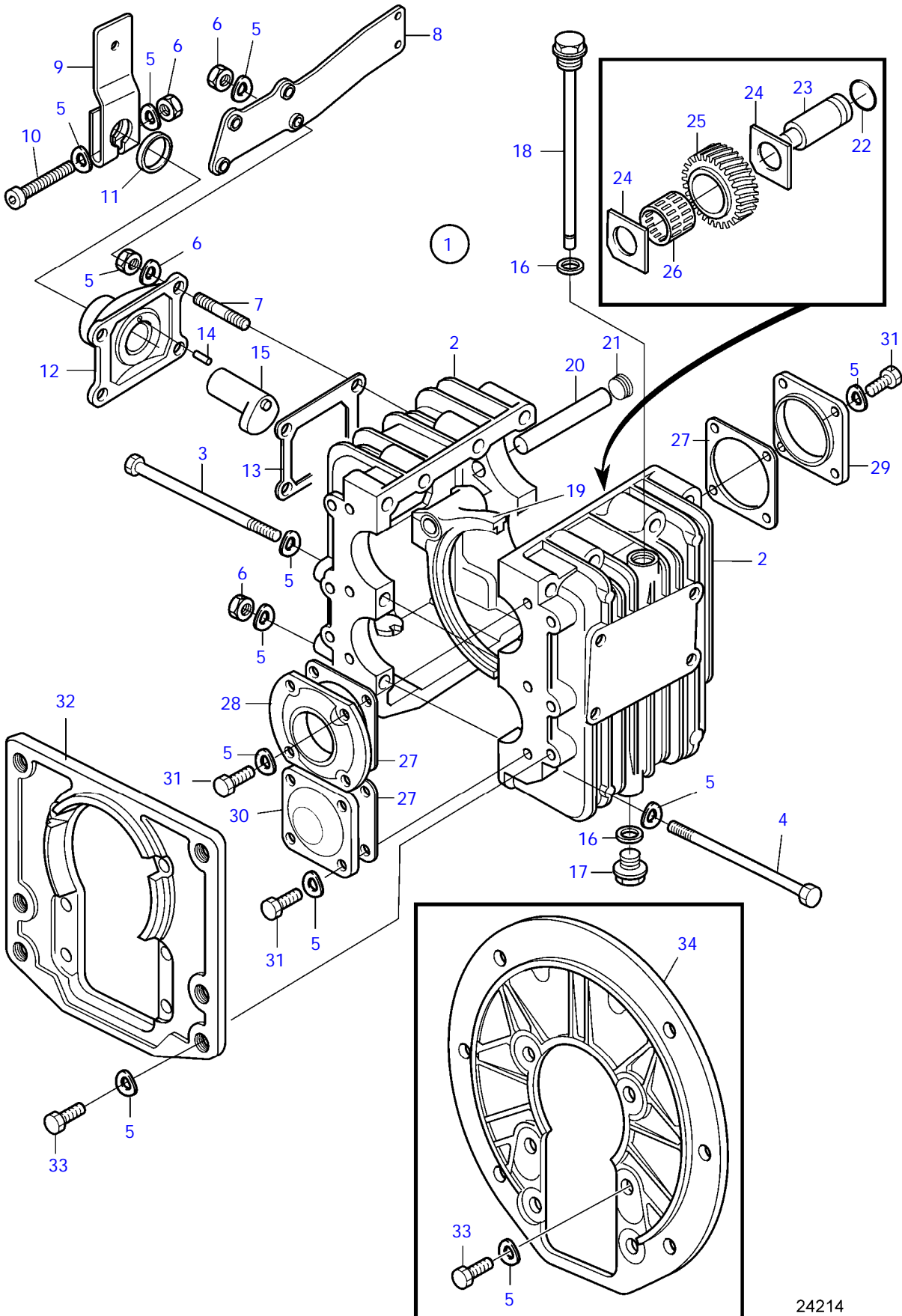


MS10A-A, MS10A-B

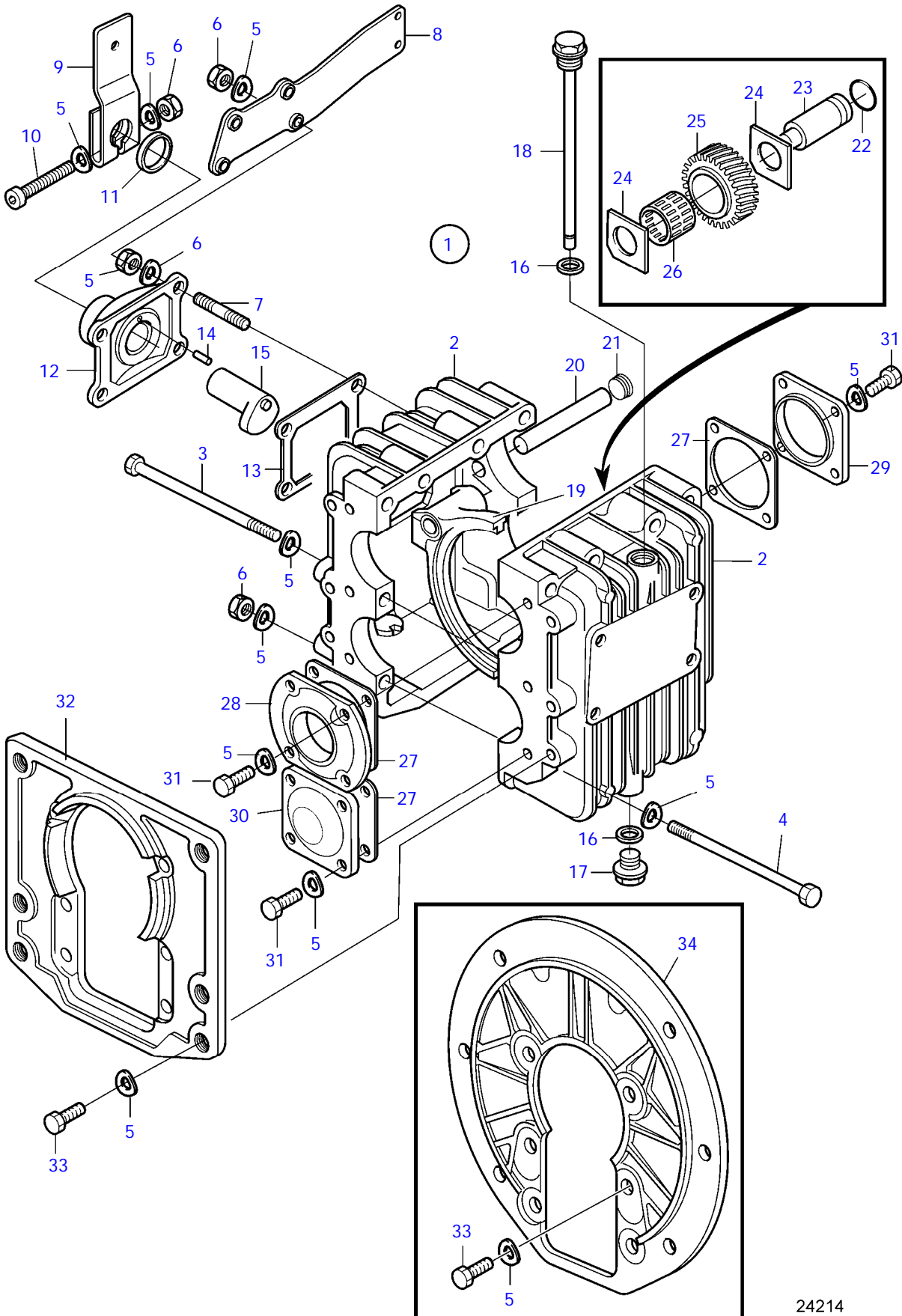


24214

MS10A-A, MS10A-B

REF	PART NO.	QTY	DESCRIPTION	NOTES
1	3582387	1	Reversing gear	MS10A-A, ratio 2.35:1
	3809120	1	Reversing gear	MS10A-B, ratio 2.35:1
2		1	• Housing	
3	940129	7	• Screw	
4		3	• Screw	M8x120mm
5	941907	39	• Spring washer	
6	955782	12	• Nut	
7	980289	4	• Stud	
8	3586718	1	• Bracket	(3582614)
9	3586320	1	• Engagement lever	(3581965)
10	955298	1	• Screw	
11	3581966	1	• Sealing ring	
12	3582550	1	• Cover	
13	3581982	1	• Gasket	
14	3581968	1	• Pin	
15	3581969	1	• Cam	
16	957179	2	• Gasket	
17	3582174	1	• Plug	
18	3582552	1	• Dipstick	
19	3582551	1	• Fork	Replaced by service kit 40005267
	40005267	1	• Conversion kit, shift mechanism	Includes shift mechanism 3849903, shaft 3849909 and fork 3593595.
20	3582463	1	• Shaft	Replaced by service kit 40005267
21	3581973	1	• Plug	
22	3582630	1	• O-ring	
23	3582553	1	• Shaft	
24	3582554	2	• Plate	
25	3582555	1	• Gear	
26	3582556	1	• Retainer	
27	3582557	3	• Gasket	
28	3582547	1	• Cover	
29	3582549	1	• Cover	
30		1	• Cover	
31	955294	12	• Screw	
32	3582615	1	• Plate	
33	955295	6	• Screw	
34	3819841	1	Adapter	For MS10A-B

MS10A-A, MS10A-B

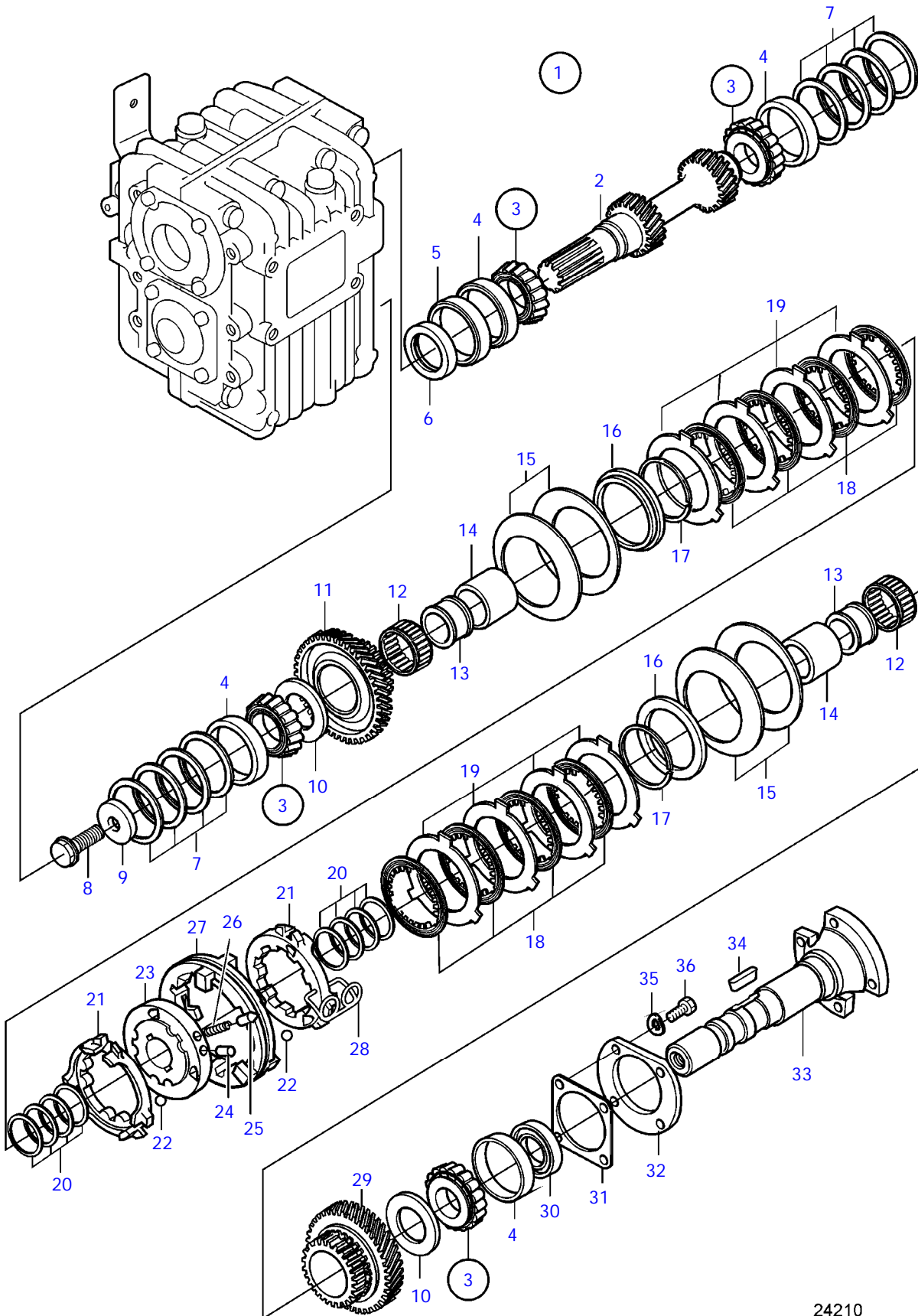


24214

MS10A-A, MS10A-B

REF	PART NO.	QTY	DESCRIPTION	NOTES
1		1	Reversing gear	MS10A-A, ratio 2.72:1
	3809121	1	Reversing gear	MS10A-B, ratio 2.72:1
2		1	• Housing	
3	940129	7	• Screw	
4		3	• Screw	M8x120mm
5	941907	39	• Spring washer	
6	955782	12	• Nut	
7	980289	4	• Stud	
8	3586718	1	• Bracket	(3582614)
9	3586320	1	• Engagement lever	(3581965)
10	955298	1	• Screw	
11	3581966	1	• Sealing ring	
12	3582550	1	• Cover	
13	3581982	1	• Gasket	
14	3581968	1	• Pin	
15	3581969	1	• Cam	
16	957179	2	• Gasket	
17	3582174	1	• Plug	
18	3582552	1	• Dipstick	
19	3582551	1	• Fork	Replaced by service kit 40005267
	40005267	1	• Conversion kit, shift mechanism	Includes shift mechanism 3849903, shaft 3849909 and fork 3593595.
20	3582463	1	• Shaft	Replaced by service kit 40005267
21	3581973	1	• Plug	
22	3582630	1	• O-ring	
23	3582553	1	• Shaft	
24	3582554	2	• Plate	
25	3582555	1	• Gear	
26	3582556	1	• Retainer	
27	3582557	3	• Gasket	
28	3582547	1	• Cover	
29	3582549	1	• Cover	
30		1	• Cover	
31	955294	12	• Screw	
32	3582615	1	• Plate	
33	955295	6	• Screw	
34	3819841	1	Adapter	For MS10A-B

MS10A-A, MS10A-B

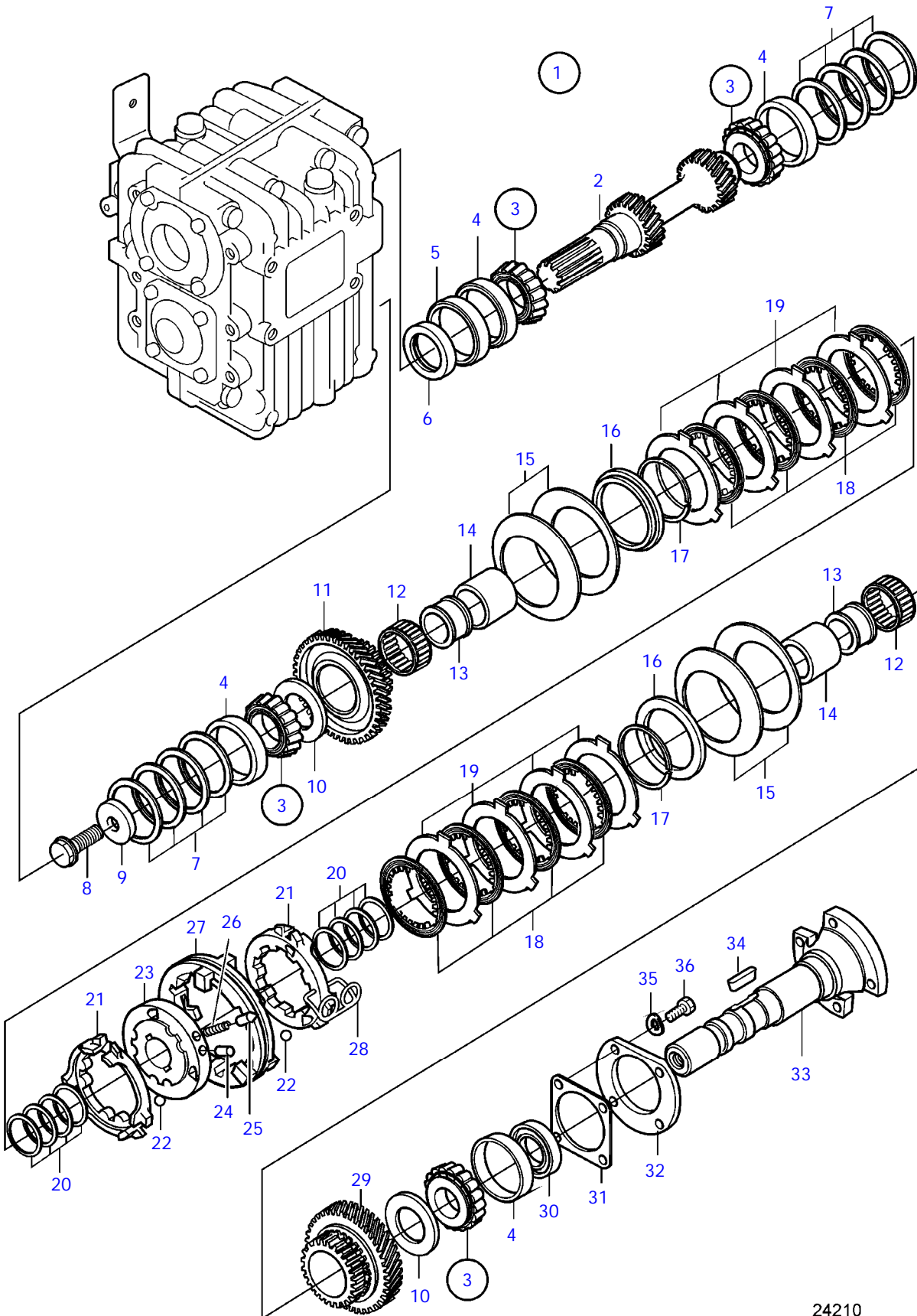


24210

MS10A-A, MS10A-B

REF	PART NO.	QTY	DESCRIPTION	NOTES
1	3582387	1	Reversing gear	MS10A-A, ratio 2.35:1
	3809120	1	Reversing gear	MS10A-B, ratio 2.35:1
2		1	• Shaft	
3	183834	4	• Bearing	(3582565)
4		1	• • Bearing race	
5		1	• Spacer	
6		1	• Lip	
7	3582566	X	• Shim	TH = 0,10mm
	3582567	X	• Shim	TH = 0,15mm
	3582568	X	• Shim	TH = 0,20mm
	3582569	X	• Shim	TH = 0,30mm
8	970972	1	• Screw	
9		1	• Washer	
10	3582571	2	• Washer	
11		1	• Gear	
12	3582572	2	• Needle bearing	
13	3582573	2	• Inner ring	
14		2	• Spacer	
15		4	• Spring	
16	3582576	2	• Spacer	
17	3582577	2	• Lock ring	
18	3582578	8	• Disc	
19	3582579	6	• Disc	
20	3582580	X	• Shim	TH=0,40mm
	3582581	X	• Shim	TH = 0,50mm
	3582582	X	• Shim	TH = 0,60mm
	3582583	X	• Shim	TH = 0,70mm
21		2	• Retainer	
22	3582585	6	• Ball	
23		1	• Hub	
24	3582590	3	• Pin	
25	3582589	3	• Pin	
26	3582588	3	• Spring	
27		1	• Sleeve	
28	3582024	3	• Spring	
29		1	• Gear	
30		1	• Lip	
31	3582557	1	• Gasket	
32	3582548	1	• Cover	
33		1	• Shaft	
34	3582591	2	• Key	
35	941907	4	• Spring washer	
36	955294	4	• Screw	

MS10A-A, MS10A-B

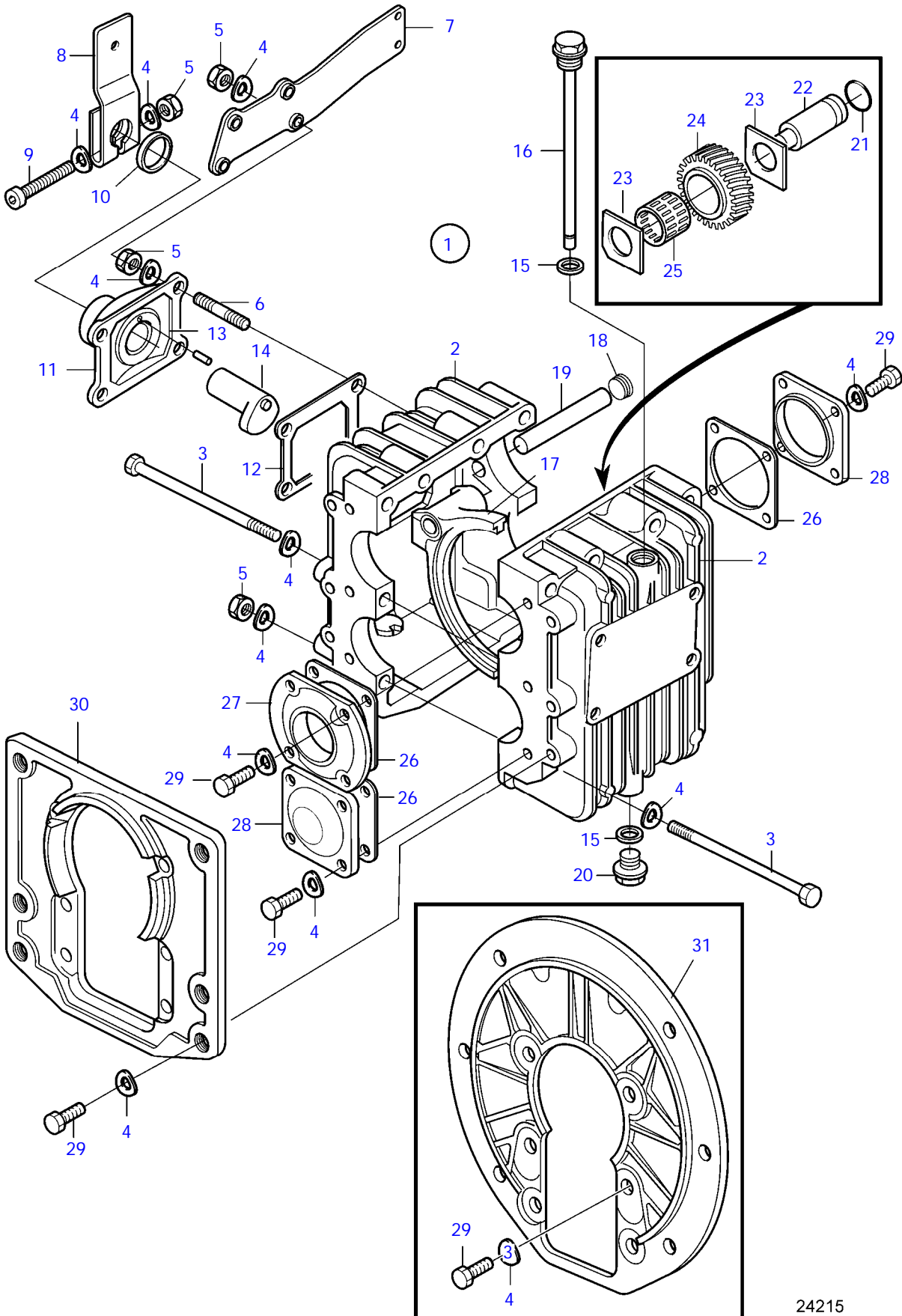


24210

MS10A-A, MS10A-B

REF	PART NO.	QTY	DESCRIPTION	NOTES
1		1	Reversing gear	MS10A-A, ratio 2.72:1
	3809121	1	Reversing gear	MS10A-B, ratio 2.72:1
2		1	• Shaft	
3	183834	4	• Bearing	(3582565)
4		1	• • Bearing race	
5		1	• Spacer	
6		1	• Lip	
7	3582566	X	• Shim	TH = 0,10mm
	3582567	X	• Shim	TH = 0,15mm
	3582568	X	• Shim	TH = 0,20mm
	3582569	X	• Shim	TH = 0,30mm
8	970972	1	• Screw	
9		1	• Washer	
10	3582571	2	• Washer	
11		1	• Gear	
12	3582572	2	• Needle bearing	
13	3582573	2	• Inner ring	
14		2	• Spacer	
15		4	• Spring	
16	3582576	2	• Spacer	
17	3582577	2	• Lock ring	
18	3582578	8	• Disc	
19	3582579	6	• Disc	
20	3582580	X	• Shim	TH=0,40mm
	3582581	X	• Shim	TH = 0,50mm
	3582582	X	• Shim	TH = 0,60mm
	3582583	X	• Shim	TH = 0,70mm
21		2	• Retainer	
22	3582585	6	• Ball	
23		1	• Hub	
24	3582590	3	• Pin	
25	3582589	3	• Pin	
26	3582588	3	• Spring	
27		1	• Sleeve	
28	3582024	3	• Spring	
29		1	• Gear	
30		1	• Lip	
31	3582557	1	• Gasket	
32	3582548	1	• Cover	
33		1	• Shaft	
34	3582591	2	• Key	
35	941907	4	• Spring washer	
36	955294	4	• Screw	

MS10L-A, MS10L-B

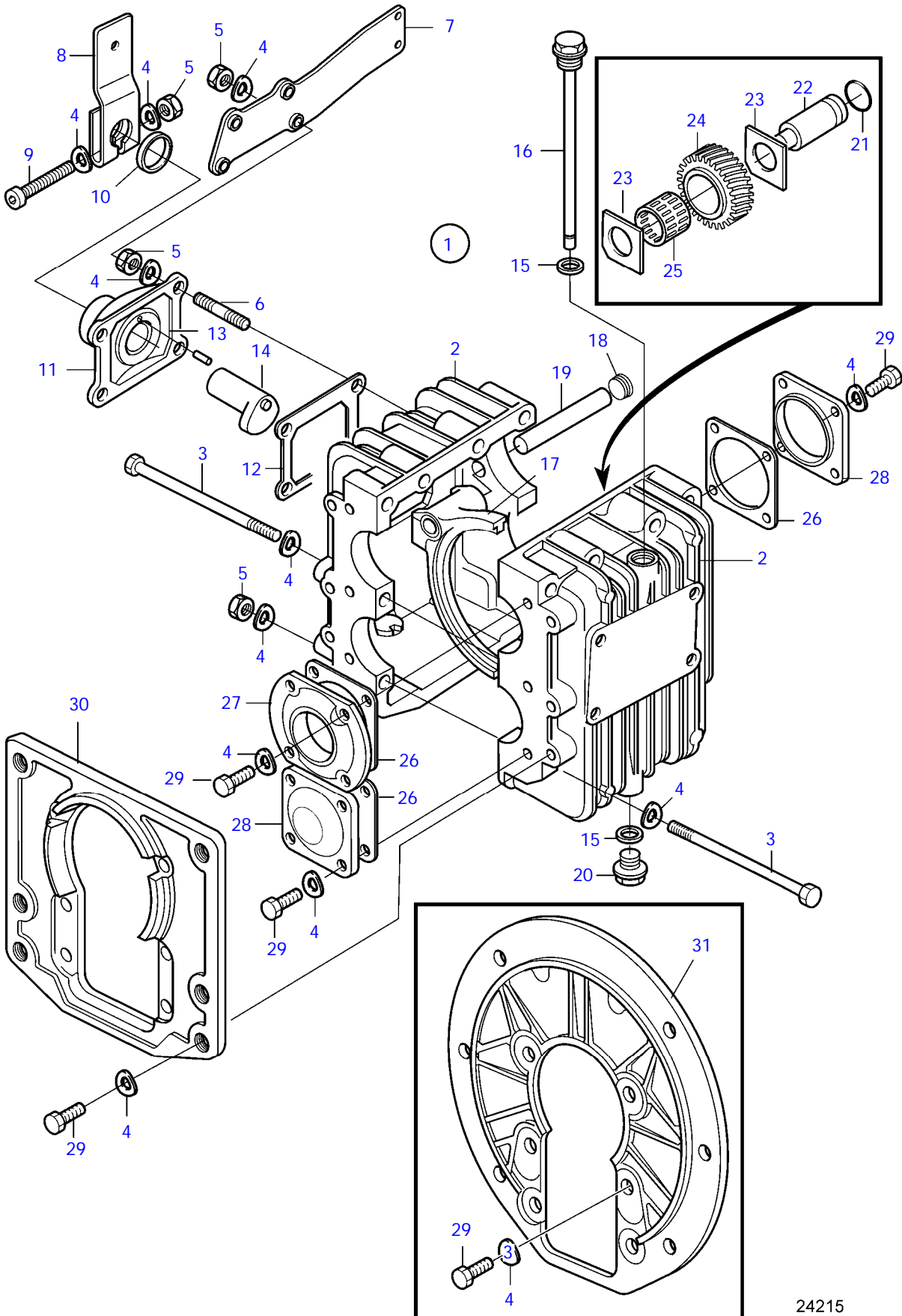


24215

MS10L-A, MS10L-B

REF	PART NO.	QTY	DESCRIPTION	NOTES
1	3582385	1	Reversing gear	MS10L-A, ratio 2.35:1
	3809122	1	Reversing gear	MS10L-B, ratio 2.35:1
2		1	• Housing	
3	940129	10	• Screw	
4	941907	38	• Spring washer	
5	955782	12	• Nut	
6	980289	4	• Stud	
7	3586718	1	• Bracket	(3582614)
8	3586320	1	• Engagement lever	(3581965)
9	955298	1	• Screw	
10	3581966	1	• Sealing ring	
11	3582550	1	• Cover	
12	3581982	1	• Gasket	
13	3581968	1	• Pin	
14	3581969	1	• Cam	
15	957179	2	• Gasket	
16	3582552	1	• Dipstick	
17	3582551	1	• Fork	Replaced by service kit 40005267
	40005267	1	• Conversion kit, shift mechanism	Includes shift mechanism 3849903, shaft 3849909 and fork 3593595.
18	3581973	1	• Plug	
19	3582463	1	• Shaft	Replaced by service kit 40005267
20	3582174	1	• Plug	
21	3582630	1	• O-ring	
22	3582553	1	• Shaft	
23	3582554	2	• Plate	
24	3582555	1	• Gear	
25	3582556	1	• Retainer	
26	3582557	4	• Gasket	
27	3582547	1	• Cover	
28	3582549	2	• Cover	
29	955294	18	• Screw	
30	3582615	1	• Plate	
31	3819841	1	Adapter	For MS10L-B

MS10L-A, MS10L-B

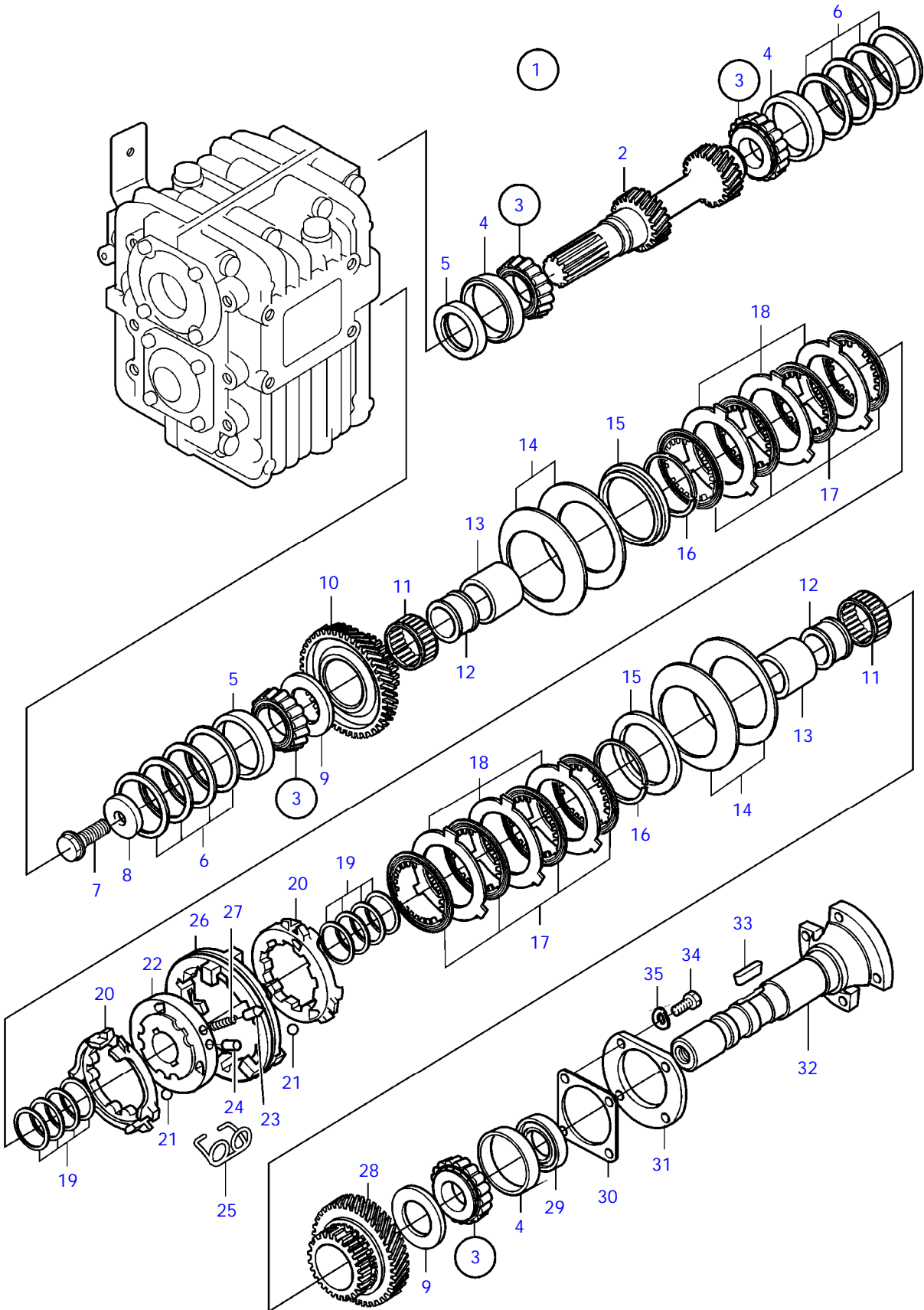


24215

MS10L-A, MS10L-B

REF	PART NO.	QTY	DESCRIPTION	NOTES
1	3582386	1	Reversing gear	MS10L-A, ratio 2.72:1
	3809123	1	Reversing gear	MS10L-B, ratio 2.72:1
2		1	• Housing	
3	940129	10	• Screw	
4	941907	38	• Spring washer	
5	955782	12	• Nut	
6	980289	4	• Stud	
7	3586718	1	• Bracket	(3582614)
8	3586320	1	• Engagement lever	(3581965)
9	955298	1	• Screw	
10	3581966	1	• Sealing ring	
11	3582550	1	• Cover	
12	3581982	1	• Gasket	
13	3581968	1	• Pin	
14	3581969	1	• Cam	
15	957179	2	• Gasket	
16	3582552	1	• Dipstick	
17	3582551	1	• Fork	Replaced by service kit 40005267
	40005267	1	• Conversion kit, shift mechanism	Includes shift mechanism 3849903, shaft 3849909 and fork 3593595.
18	3581973	1	• Plug	
19	3582463	1	• Shaft	Replaced by service kit 40005267
20	3582174	1	• Plug	
21	3582630	1	• O-ring	
22	3582553	1	• Shaft	
23	3582554	2	• Plate	
24	3582555	1	• Gear	
25	3582556	1	• Retainer	
26	3582557	4	• Gasket	
27	3582547	1	• Cover	
28	3582549	2	• Cover	
29	955294	18	• Screw	
30	3582615	1	• Plate	
31	3819841	1	Adapter	For MS10L-B

MS10L-A, MS10L-B

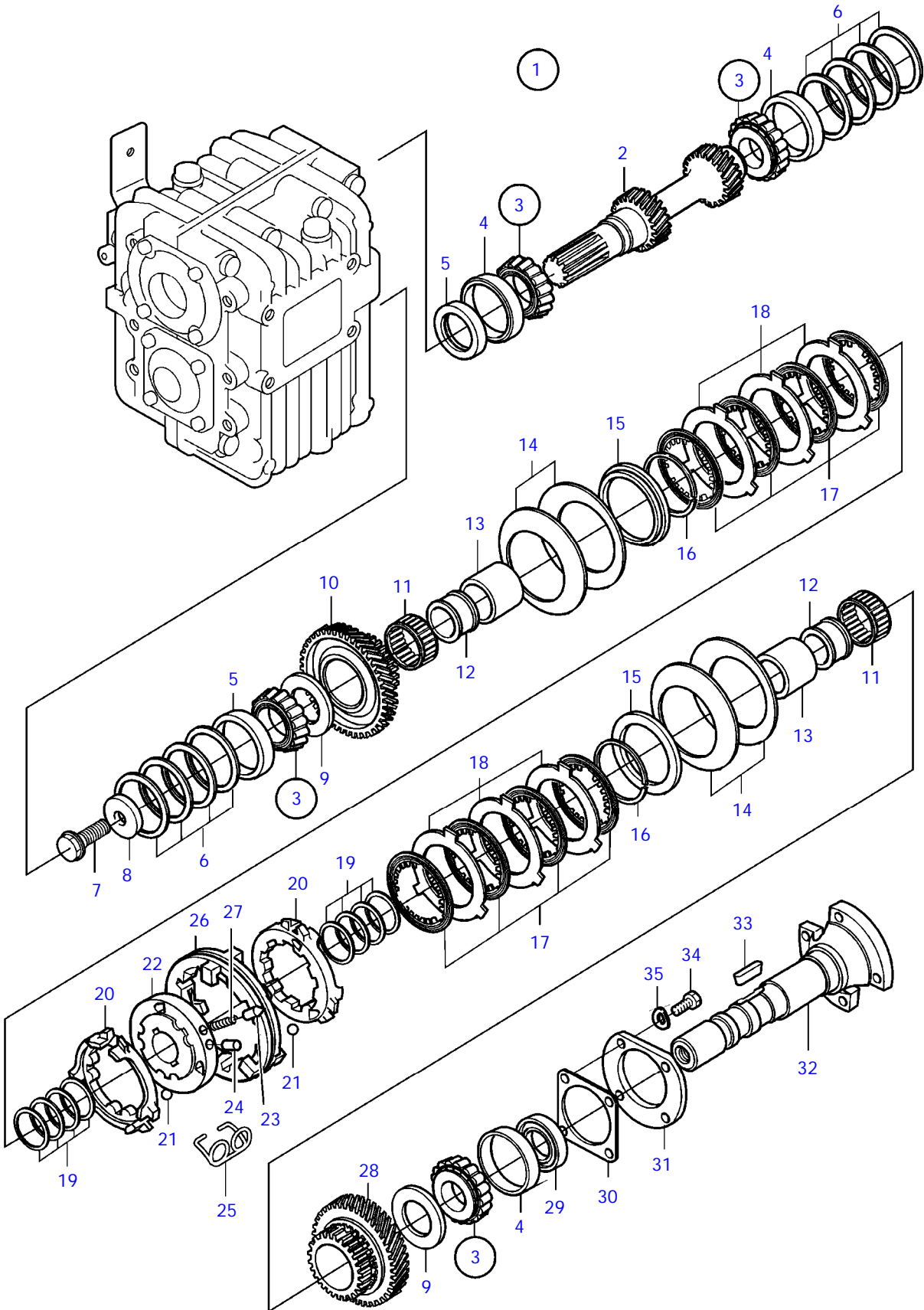


24212

MS10L-A, MS10L-B

REF	PART NO.	QTY	DESCRIPTION	NOTES
1	3582385	1	Reversing gear	MS10L-A, ratio 2.35:1
	3809122	1	Reversing gear	MS10L-B, ratio 2.35:1
2	3582618	1	• Shaft	
3	183834	4	• Bearing	(3582565)
4		1	• • Bearing race	
5		1	• Lip	
6	3582566	X	• Shim	TH = 0,10mm
	3582567	X	• Shim	TH = 0.15mm
	3582568	X	• Shim	TH = 0,30mm
	3582569	X	• Shim	TH = 0,50mm
7	970972	1	• Screw	
8		1	• Washer	
9	3582571	2	• Washer	
10		1	• Gear	
11	3582572	2	• Needle bearing	
12	3582573	2	• Inner ring	
13		2	• Spacer	
14		4	• Spring	
15	3582576	2	• Spacer	
16	3582577	2	• Lock ring	
17	3582578	8	• Disc	
18	3582579	6	• Disc	
19	3582580	X	• Shim	TH=0,40mm
	3582581	X	• Shim	TH = 0,50mm
	3582582	X	• Shim	TH = 0,60mm
	3582583	X	• Shim	TH = 0,70mm
20		2	• Retainer	
21	3582585	6	• Ball	
22		1	• Hub	
23	3582589	3	• Pin	
24	3582590	3	• Pin	
25	3582024	3	• Spring	
26		1	• Sleeve	
27	3582588	3	• Spring	
28		1	• Gear	
29		1	• Lip	
30	3582557	1	• Gasket	
31	3582548	1	• Cover	
32		1	• Shaft	
33	3582591	1	• Key	
34	955294	4	• Screw	
35	941907	4	• Spring washer	

MS10L-A, MS10L-B

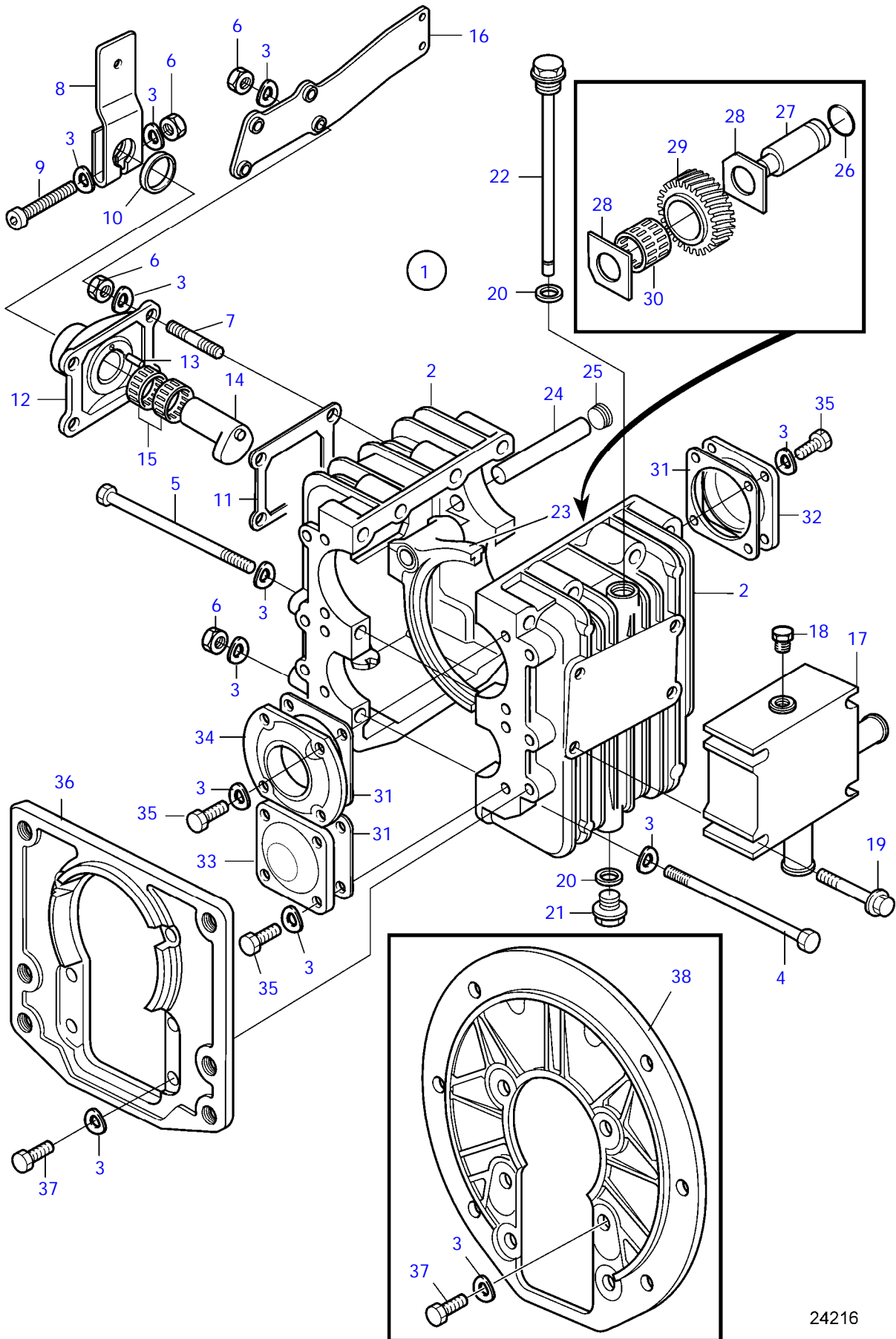


24212

MS10L-A, MS10L-B

REF	PART NO.	QTY	DESCRIPTION	NOTES
1	3582386	1	Reversing gear	MS10L-A, ratio 2.72:1
	3809123	1	Reversing gear	MS10L-B, ratio 2.72:1
2	3582619	1	• Shaft	
3	183834	4	• Bearing	(3582565)
4		1	• • Bearing race	
5		1	• Lip	
6	3582566	X	• Shim	TH = 0,10mm
	3582567	X	• Shim	TH = 0.15mm
	3582568	X	• Shim	TH = 0,30mm
	3582569	X	• Shim	TH = 0,50mm
7	970972	1	• Screw	
8		1	• Washer	
9	3582571	2	• Washer	
10		1	• Gear	
11	3582572	2	• Needle bearing	
12	3582573	2	• Inner ring	
13		2	• Spacer	
14		4	• Spring	
15	3582576	2	• Spacer	
16	3582577	2	• Lock ring	
17	3582578	8	• Disc	
18	3582579	6	• Disc	
19	3582580	X	• Shim	TH=0,40mm
	3582581	X	• Shim	TH = 0,50mm
	3582582	X	• Shim	TH = 0,60mm
	3582583	X	• Shim	TH = 0,70mm
20		2	• Retainer	
21	3582585	6	• Ball	
22		1	• Hub	
23	3582589	3	• Pin	
24	3582590	3	• Pin	
25	3582024	3	• Spring	
26		1	• Sleeve	
27	3582588	3	• Spring	
28		1	• Gear	
29		1	• Lip	
30	3582557	1	• Gasket	
31	3582548	1	• Cover	
32		1	• Shaft	
33	3582591	1	• Key	
34	955294	4	• Screw	
35	941907	4	• Spring washer	

MS15A-A, MS15A-B

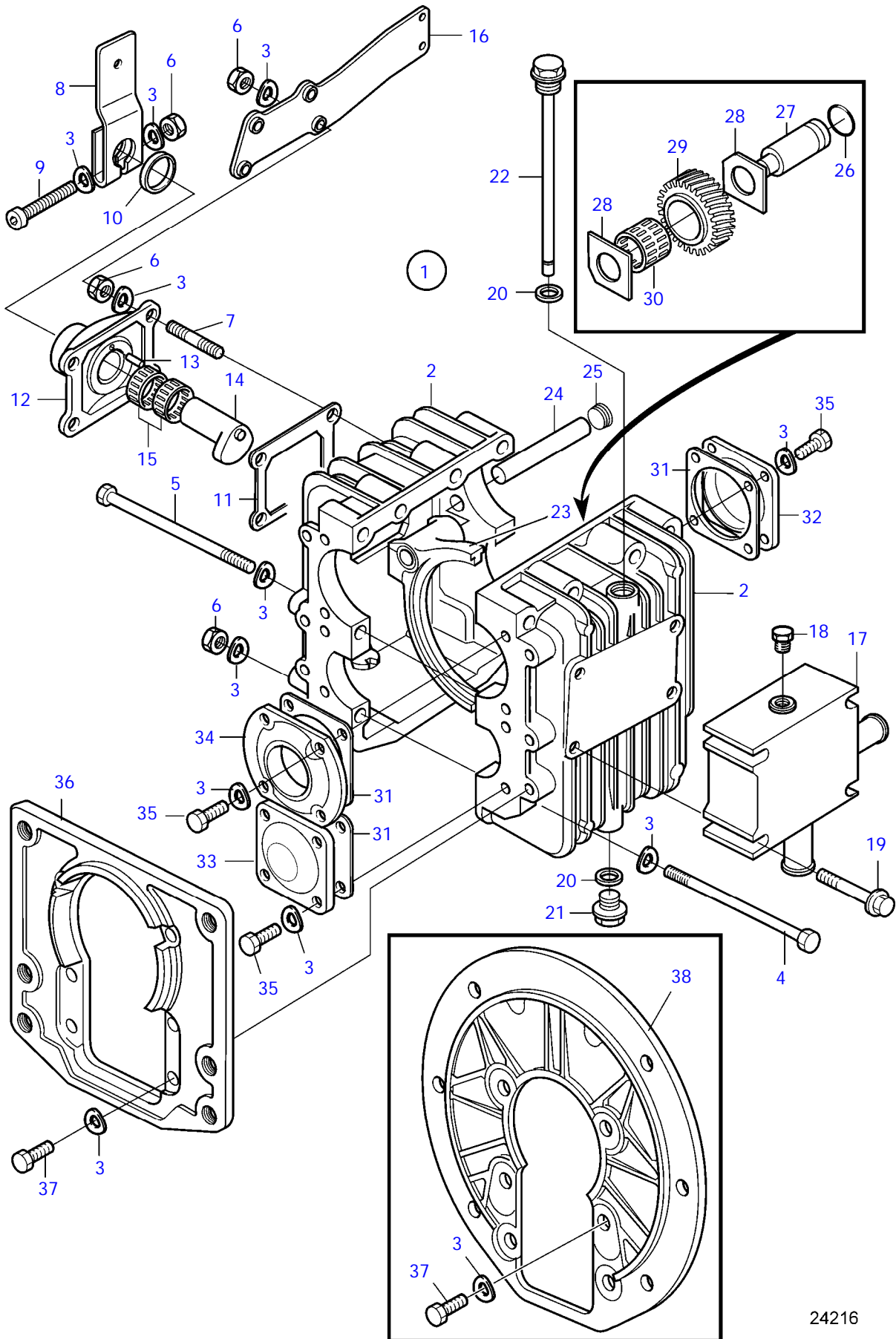


24216

MS15A-A, MS15A-B

REF	PART NO.	QTY	DESCRIPTION	NOTES
1	3582391	1	Reversing gear	MS15A-A, ratio 2.14:1
	3809124	1	Reversing gear	MS15A-B, ratio 2.14:1
2		1	• Housing	
3	941907	36	• Spring washer	
4	940129	9	• Screw	
5	940129	1	• Screw	
6	955782	10	• Nut	
7	980289	4	• Stud	
8	3586320	1	• Engagement lever	(3581965)
9	955298	1	• Screw	
10	3581966	1	• Sealing ring	
11	3581982	1	• Gasket	
12	3581967	1	• Cover	
13	3581968	1	• Pin	
14	3581969	1	• Cam	
15	3582009	2	• Bearing	
16	3586718	1	• Bracket	(3582614)
17	3582641	1	• Oil cooler	
18	479956	1	• Plug	
19	965180	4	• Flange screw	
20	957179	2	• Gasket	
21	3582174	1	• Plug	
22	3582534	1	• Dipstick	
23	3582462	1	• Fork	
24	3582463	1	• Shaft	Replaced by service kit 40005267
	40005267	1	• Conversion kit, shift mechanism	Includes shift mechanism 3849903, shaft 3849909 and fork 3593595.
25	3581973	1	• Plug	
26	3582610	1	• O-ring	
27	3582465	1	• Shaft	
28	3582466	2	• Plate	
29	3582467	1	• Gear	
30	3582468	1	• Needle bearing	
31	3582469	3	• Gasket	
32		1	• Cover	
33		1	• Cover	
34		1	• Cover	
35	955294	18	• Screw	
36	3582615	1	• Plate	
37	955294	6	• Screw	
38	3819841	1	Adapter	For MS15A-B

MS15A-A, MS15A-B

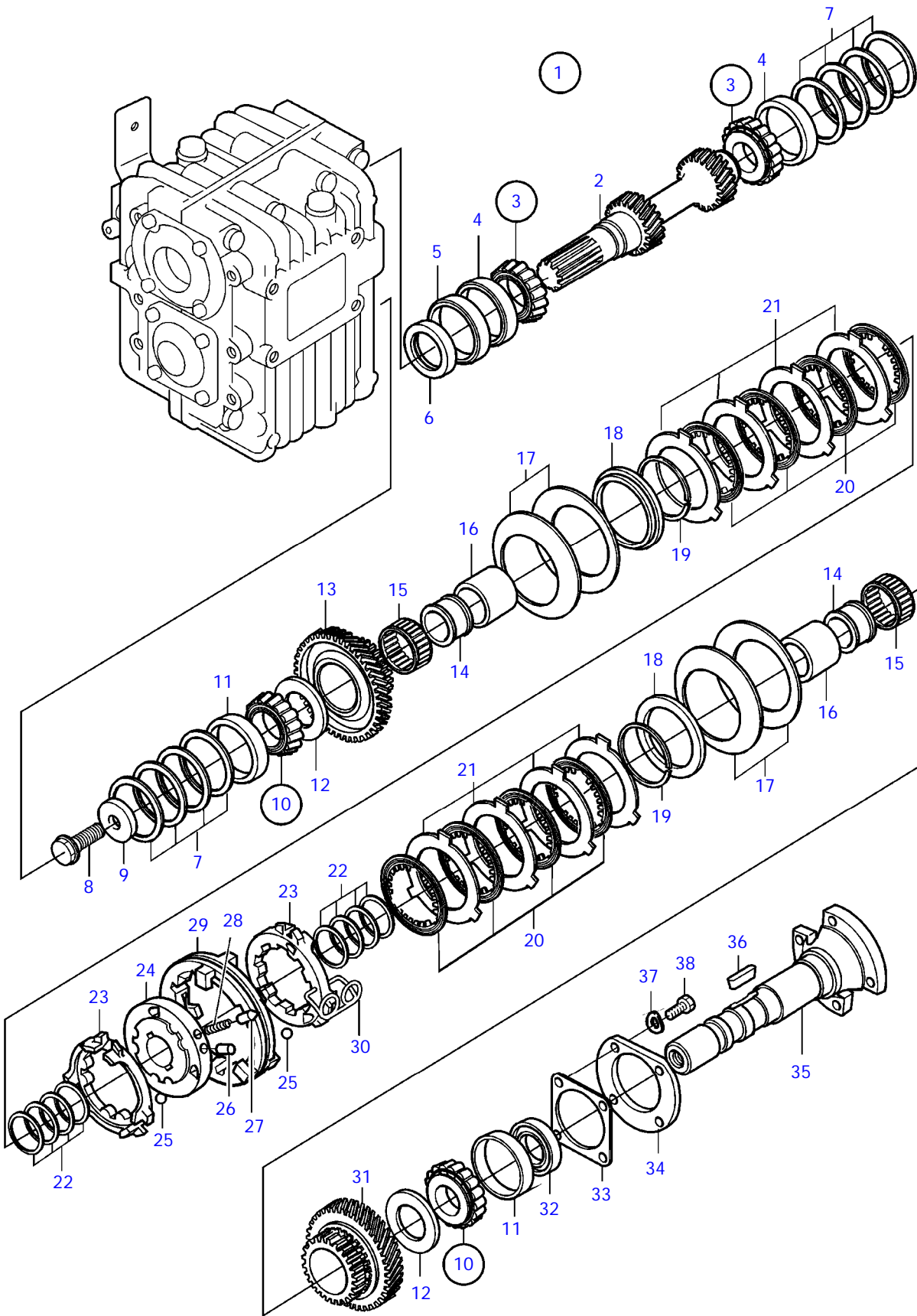


24216

MS15A-A, MS15A-B

REF	PART NO.	QTY	DESCRIPTION	NOTES
1	3582392	1	Reversing gear	MS15A-A, ratio 2.63:1
	3809125	1	Reversing gear	MS15A-B, ratio 2.63:1
2		1	• Housing	
3	941907	36	• Spring washer	
4	940129	9	• Screw	
5	940129	1	• Screw	
6	955782	10	• Nut	
7	980289	4	• Stud	
8	3586320	1	• Engagement lever	(3581965)
9	955298	1	• Screw	
10	3581966	1	• Sealing ring	
11	3581982	1	• Gasket	
12	3581967	1	• Cover	
13	3581968	1	• Pin	
14	3581969	1	• Cam	
15	3582009	2	• Bearing	
16	3586718	1	• Bracket	(3582614)
17	3582641	1	• Oil cooler	
18	479956	1	• Plug	
19	965180	4	• Flange screw	
20	957179	2	• Gasket	
21	3582174	1	• Plug	
22	3582534	1	• Dipstick	
23	3582462	1	• Fork	
24	3582463	1	• Shaft	Replaced by service kit 40005267
	40005267	1	• Conversion kit, shift mechanism	Includes shift mechanism 3849903, shaft 3849909 and fork 3593595.
25	3581973	1	• Plug	
26	3582610	1	• O-ring	
27	3582465	1	• Shaft	
28	3582466	2	• Plate	
29	3582467	1	• Gear	
30	3582468	1	• Needle bearing	
31	3582469	3	• Gasket	
32		1	• Cover	
33		1	• Cover	
34		1	• Cover	
35	955294	18	• Screw	
36	3582615	1	• Plate	
37	955294	6	• Screw	
38	3819841	1	Adapter	For MS15A-B

MS15A-A, MS15A-B



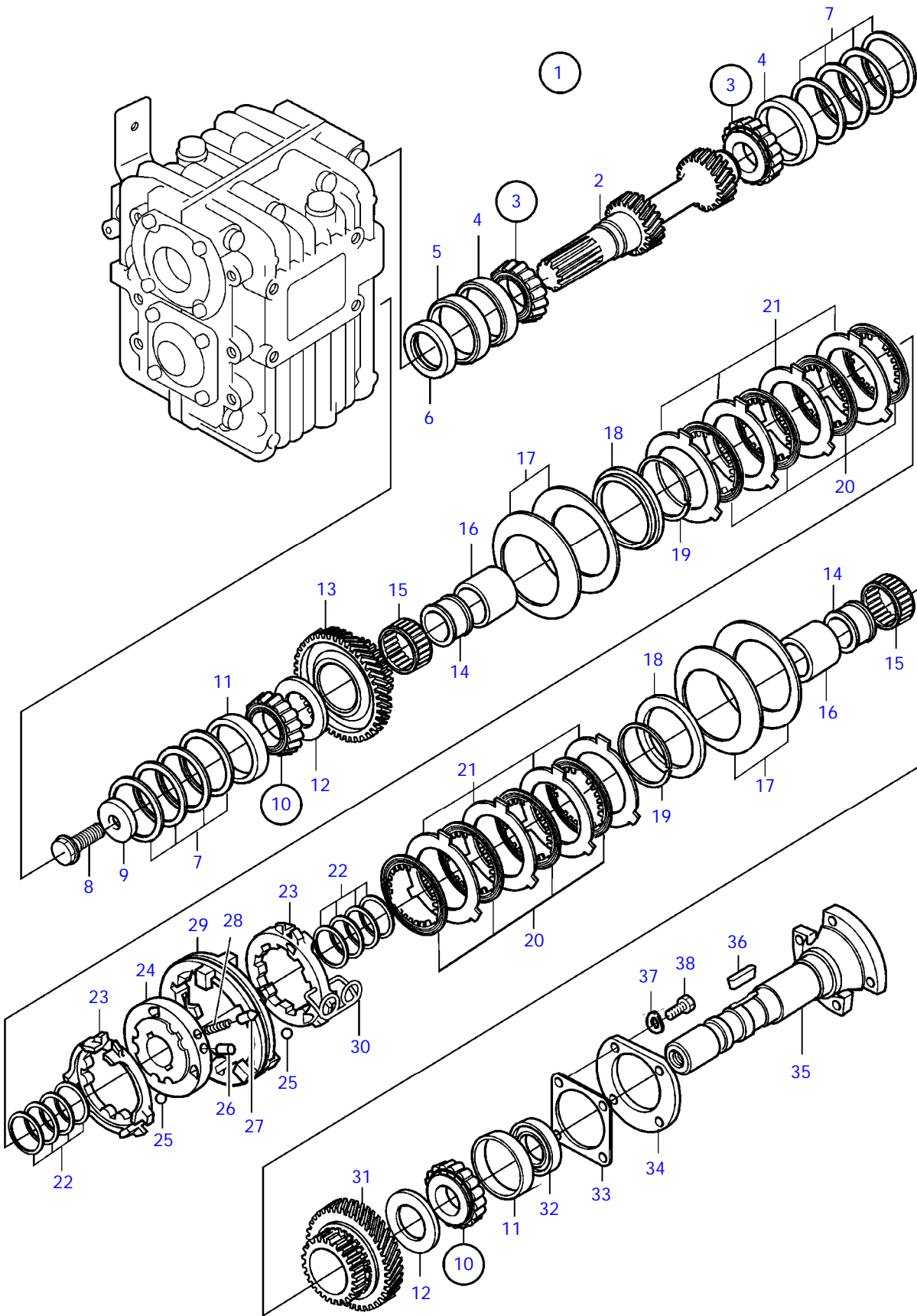
24213



MS15A-A, MS15A-B

REF	PART NO.	QTY	DESCRIPTION	NOTES
1	3582391	1	Reversing gear	MS15A-A, ratio 2.14:1
	3809124	1	Reversing gear	MS15A-B, ratio 2.14:1
2	3582535	1	• Shaft	
3	3854249	2	• Roller bearing	
4			• • Bearing race	
5		1	• Spacer	
6		1	• Seal	
7	3582477	X	• Shim	TH = 0,10mm
	3582478	X	• Shim	TH = 0,15mm
	3582479	X	• Shim	TH = 0,30mm
	3582480	X	• Shim	TH = 0,50mm
8	970972	1	• Screw	
9	3581996	1	• Spacer	
10	3854249	2	• Roller bearing	
11			• • Bearing race	
12	3884592	2	• Thrust washer	(3581997)
13		1	• Gear	
14	3582000	2	• Needle bearing	
15	3582001	2	• Bearing race	
16		2	• Spacer	
17		4	• Disc spring	
18	3582485	2	• Thrust ring	
19	3582577	2	• Lock ring	
20		8	• Disc	
21		8	• Disc	
22	3582013	X	• Shim	TH=0,40mm
	3582014	X	• Shim	TH = 0,50mm
	3582015	X	• Shim	TH = 0,60mm
	3582016	X	• Shim	TH = 0,70mm
23		2	• Retainer	
24		1	• Hub	
25	3582526	6	• Ball	
26	3582023	3	• Pin	
27	3582022	3	• Pin	
28	3582021	3	• Spring	
29		1	• Sleeve	
30	3582024	3	• Spring	
31		1	• Gear	
32	3581984	1	• Ring	
33	3582469	1	• Gasket	
34		1	• Cover	
35		1	• Shaft	
36		1	• Key	
37	941907	4	• Spring washer	
38	955294	4	• Screw	

MS15A-A, MS15A-B



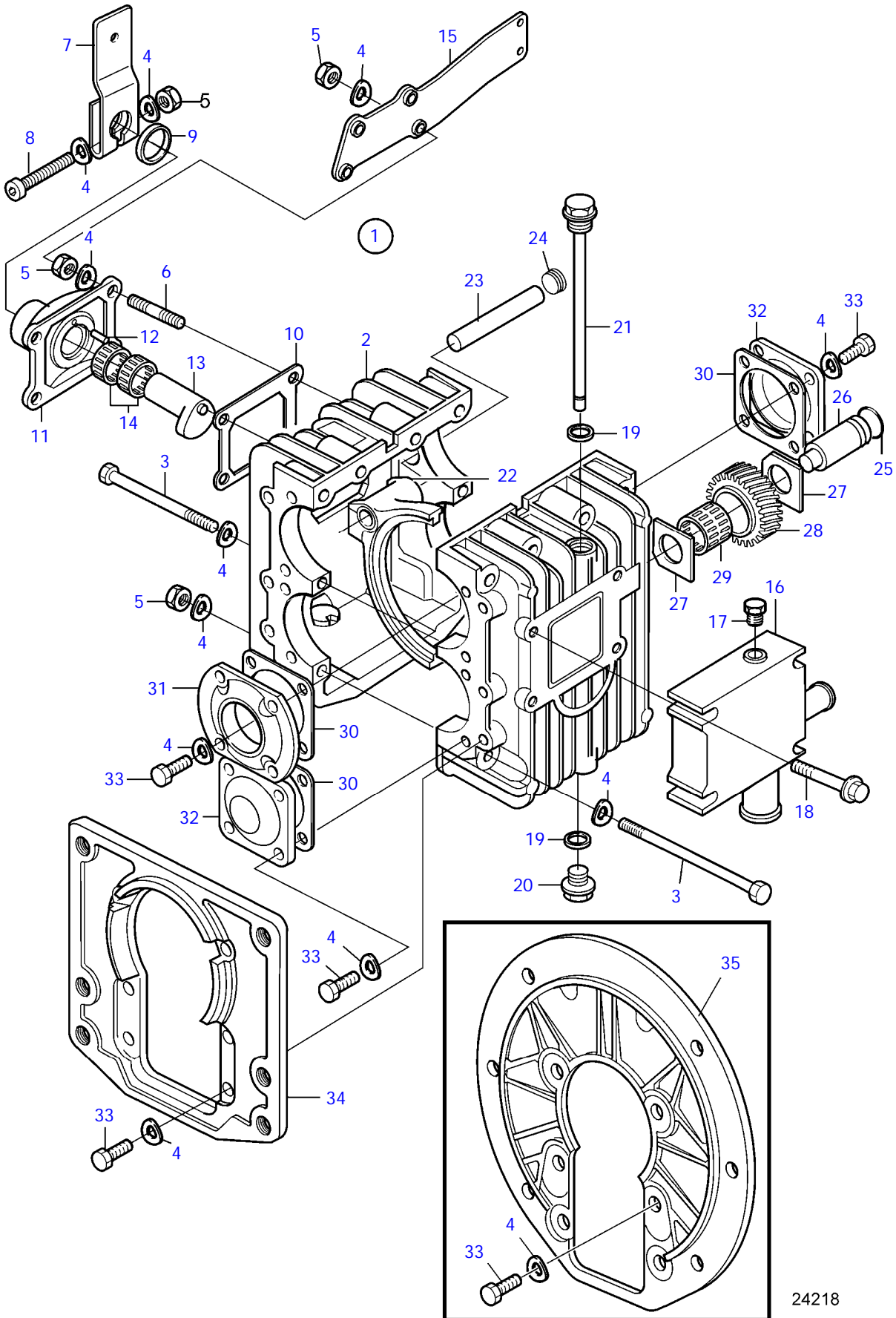
24213



MS15A-A, MS15A-B

REF	PART NO.	QTY	DESCRIPTION	NOTES
1	3582392	1	Reversing gear	MS15A-A, ratio 2.63:1
	3809125	1	Reversing gear	MS15A-B, ratio 2.63:1
2	3582536	1	• Shaft	
3	3854249	2	• Roller bearing	
5		1	• Spacer	
6		1	• Seal	
7	3582477	X	• Shim	TH = 0,10mm
	3582478	X	• Shim	TH = 0.15mm
	3582479	X	• Shim	TH = 0,30mm
	3582480	X	• Shim	TH = 0,50mm
8	970972	1	• Screw	
9	3581996	1	• Spacer	
10	3854249	2	• Roller bearing	
12	3884592	2	• Thrust washer	(3581997)
13		1	• Gear	
14	3582000	2	• Needle bearing	
15	3582001	2	• Bearing race	
16		2	• Spacer	
17		4	• Disc spring	
18	3582485	2	• Thrust ring	
19	3582577	2	• Lock ring	
20		8	• Disc	
21		8	• Disc	
22	3582013	X	• Shim	TH=0,40mm
	3582014	X	• Shim	TH = 0,50mm
	3582015	X	• Shim	TH = 0,60mm
	3582016	X	• Shim	TH = 0,70mm
23		2	• Retainer	
24		1	• Hub	
25	3582526	6	• Ball	
26	3582023	3	• Pin	
27	3582022	3	• Pin	
28	3582021	3	• Spring	
29		1	• Sleeve	
30	3582024	3	• Spring	
31		1	• Gear	
32	3581984	1	• Ring	
33	3582469	1	• Gasket	
34		1	• Cover	
35		1	• Shaft	
36		1	• Key	
37	941907	4	• Spring washer	
38	955294	4	• Screw	

MS15L-A, MS15L-B

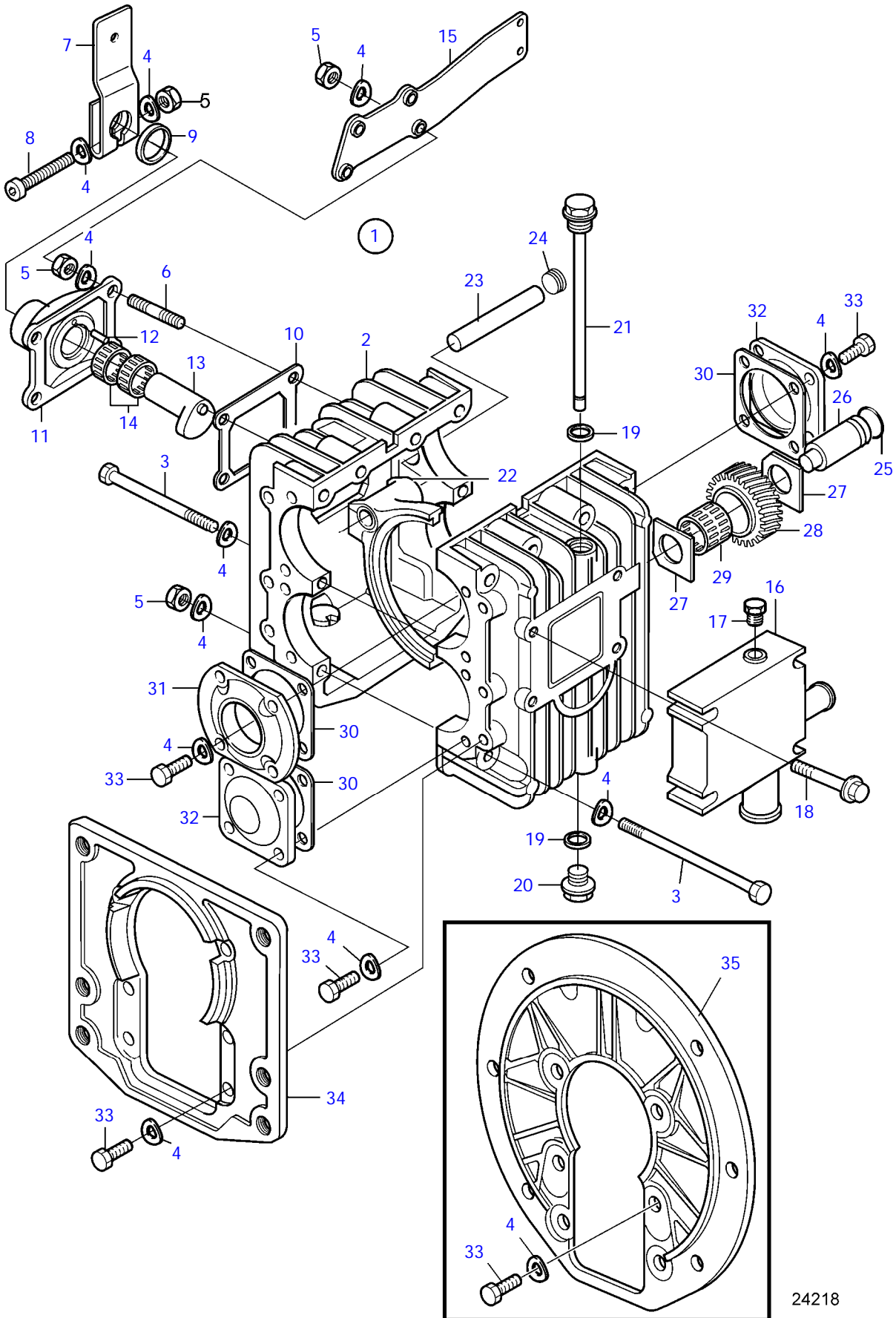


24218

MS15L-A, MS15L-B

REF	PART NO.	QTY	DESCRIPTION	NOTES
1	3582389	1	Reversing gear	MS15L-A, ratio 2.14:1
	3809126	1	Reversing gear	MS15L-B, ratio 2.14:1
2		1	• Housing	
3	940129	10	• Screw	
4	941907	38	• Spring washer	
5	955782	12	• Nut	
6	980289	4	• Stud	
7	3586320	1	• Engagement lever	(3581965)
8	955298	1	• Screw	
9	3581966	2	• Sealing ring	
10	3581982	1	• Gasket	
11	3581967	1	• Cover	
12	3581968	1	• Pin	
13	3581969	1	• Cam	
14	3582009	2	• Bearing	
15	3586718	1	• Bracket	(3582614)
16	3582641	1	• Oil cooler	
17	479956	1	• Plug	
18	965180	4	• Flange screw	
19	957179	2	• Gasket	
20	3582174	1	• Plug	
21	3582464	1	• Dipstick	
22	3582462	1	• Fork	
23	3582463	1	• Shaft	Replaced by service kit 40005267
	40005267	1	• Conversion kit, shift mechanism	Includes shift mechanism 3849903, shaft 3849909 and fork 3593595.
24	3581973	1	• Plug	
25	3582610	1	• O-ring	
26	3582465	1	• Shaft	
27	3582466	2	• Plate	
28	3582467	1	• Gear	
29	3582468	1	• Needle bearing	
30	3582469	3	• Gasket	
31		1	• Cover	
32		2	• Cover	
33	955294	12	• Screw	
34	3582615	1	• Plate	
35	3819841	1	Adapter	For MS15L-B

MS15L-A, MS15L-B

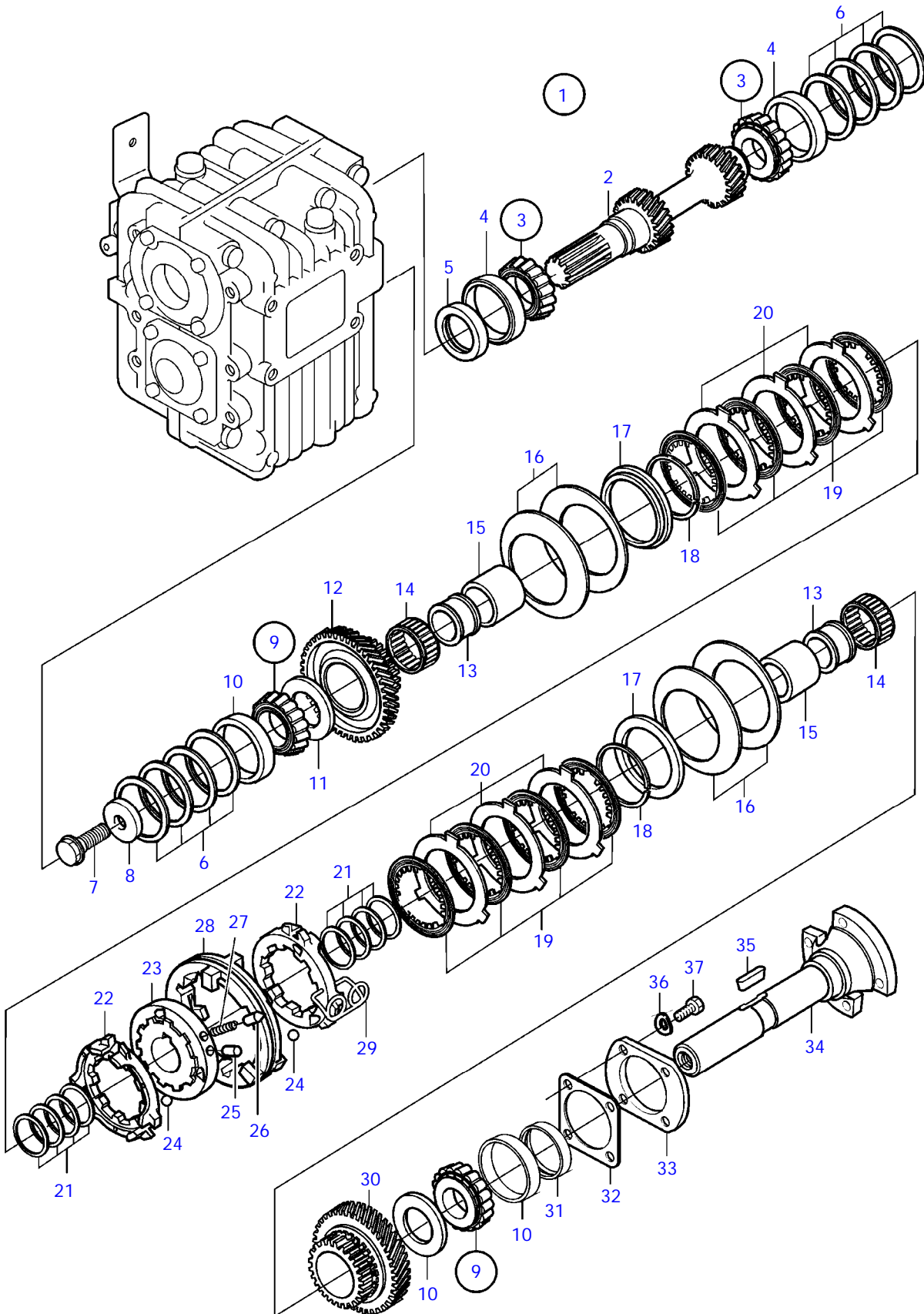


24218

MS15L-A, MS15L-B

REF	PART NO.	QTY	DESCRIPTION	NOTES
1	3582390	1	Reversing gear	MS15L-A, ratio 2.63:1
	3809127	1	Reversing gear	MS15L-B, ratio 2.63:1
2		1	• Housing	
3	940129	10	• Screw	
4	941907	38	• Spring washer	
5	955782	12	• Nut	
6	980289	4	• Stud	
7	3586320	1	• Engagement lever	(3581965)
8	955298	1	• Screw	
9	3581966	2	• Sealing ring	
10	3581982	1	• Gasket	
11	3581967	1	• Cover	
12	3581968	1	• Pin	
13	3581969	1	• Cam	
14	3582009	2	• Bearing	
15	3586718	1	• Bracket	(3582614)
16	3582641	1	• Oil cooler	
17	479956	1	• Plug	
18	965180	4	• Flange screw	
19	957179	2	• Gasket	
20	3582174	1	• Plug	
21	3582464	1	• Dipstick	
22	3582462	1	• Fork	
23	3582463	1	• Shaft	Replaced by service kit 40005267
	40005267	1	• Conversion kit, shift mechanism	Includes shift mechanism 3849903, shaft 3849909 and fork 3593595.
24	3581973	1	• Plug	
25	3582610	1	• O-ring	
26	3582465	1	• Shaft	
27	3582466	2	• Plate	
28	3582467	1	• Gear	
29	3582468	1	• Needle bearing	
30	3582469	3	• Gasket	
31		1	• Cover	
32		2	• Cover	
33	955294	12	• Screw	
34	3582615	1	• Plate	
35	3819841	1	Adapter	For MS15L-B

MS15L-A, MS15L-B

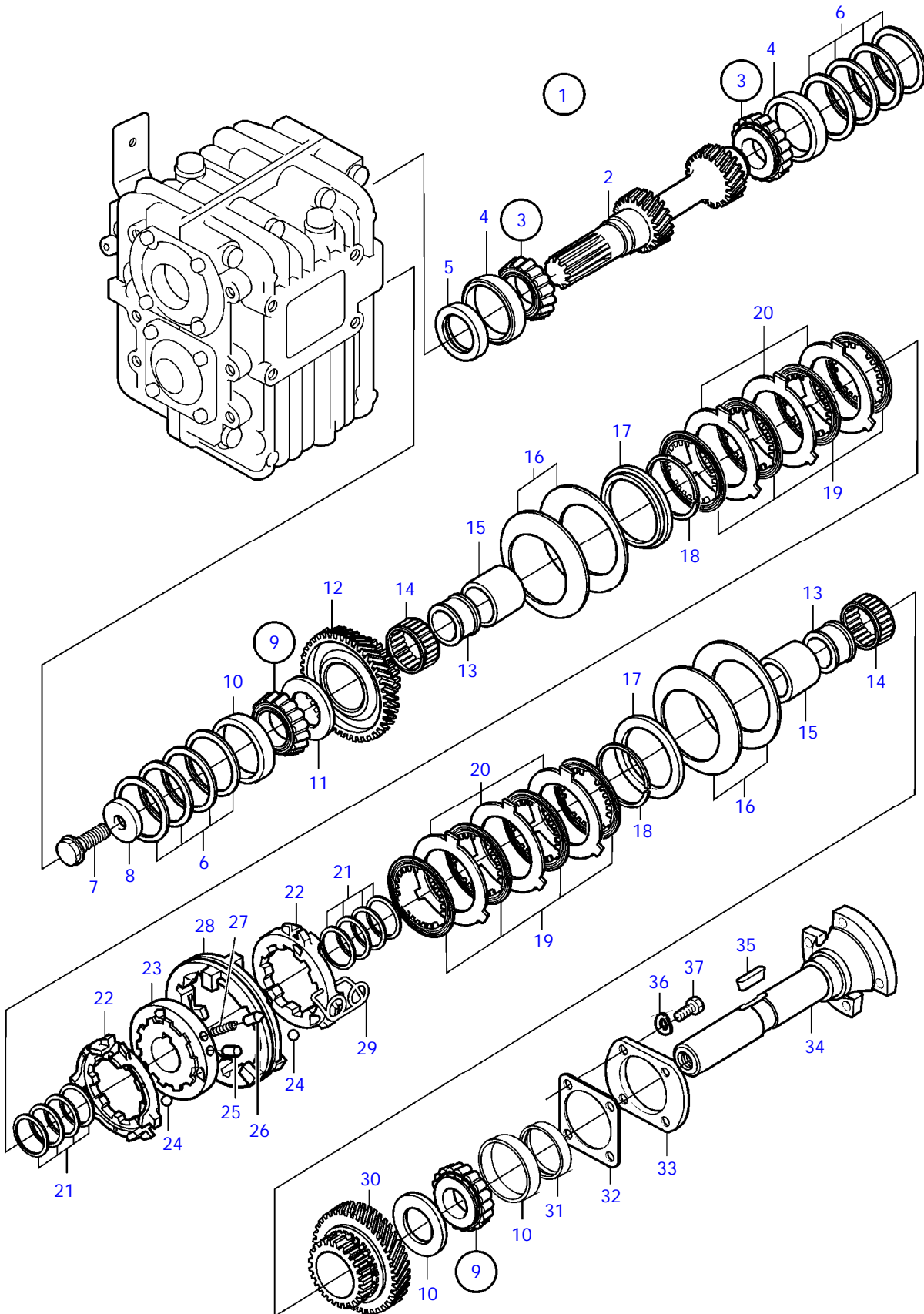


24211

MS15L-A, MS15L-B

REF	PART NO.	QTY	DESCRIPTION	NOTES
1	3582389	1	Reversing gear	MS15L-A, ratio 2.14:1
	3809126	1	Reversing gear	MS15L-B, ratio 2.14:1
2		1	• Shaft	
3	3854249	2	• Roller bearing	
4			• • Bearing race	
5		1	• Seal	
6	3582477	X	• Shim	TH = 0,10mm
	3582478	X	• Shim	TH = 0.15mm
	3582479	X	• Shim	TH = 0,30mm
	3582480	X	• Shim	TH = 0,50mm
7	970972	1	• Screw	
8	3581996	1	• Spacer	
9	3854249	2	• Roller bearing	
10			• • Bearing race	
11	3884592	2	• Thrust washer	(3581997)
12		1	• Gear	
13	3582000	2	• Needle bearing	
14	3582001	2	• Bearing race	
15		2	• Spacer	
16		4	• Disc spring	
17	3582485	2	• Thrust ring	
18	3582577	2	• Lock ring	
19		10	• Disc	
20		8	• Disc	
21	3582013	X	• Shim	TH=0,40mm
	3582014	X	• Shim	TH = 0,50mm
	3582015	X	• Shim	TH = 0,60mm
	3582016	X	• Shim	TH = 0,70mm
22		2	• Retainer	
23		1	• Hub	
24	3582526	6	• Ball	
25	3582023	3	• Pin	
26	3582022	3	• Pin	
27	3582021	3	• Spring	
28		1	• Sleeve	
29	3582024	3	• Spring	
30		1	• Gear	
31	3581984	1	• Ring	
32	3582469	1	• Gasket	
33		1	• Cover	
34		1	• Shaft	
35		1	• Key	
36	941907	4	• Spring washer	
37	955294	4	• Screw	

MS15L-A, MS15L-B

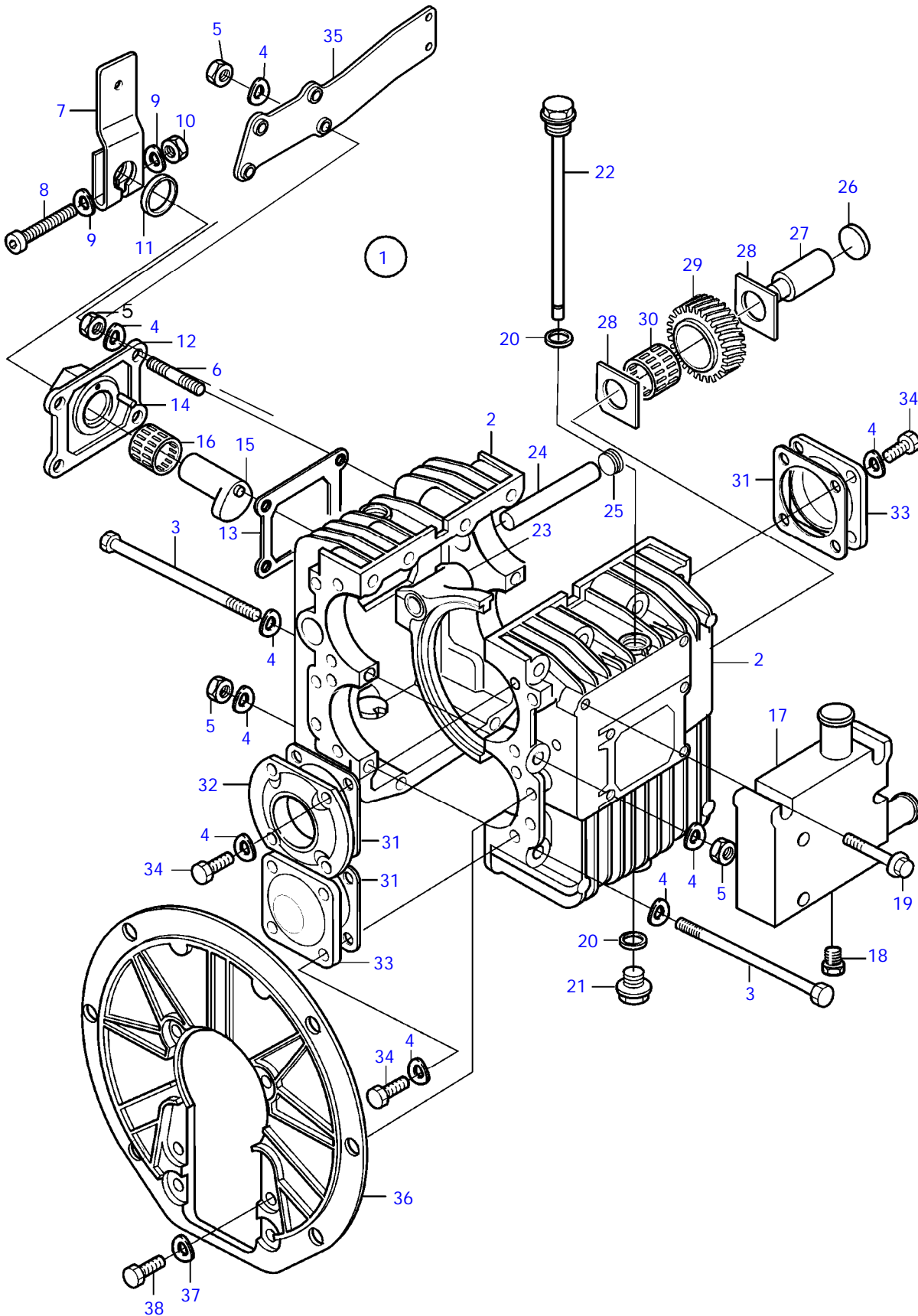


24211

MS15L-A, MS15L-B

REF	PART NO.	QTY	DESCRIPTION	NOTES
1	3582390	1	Reversing gear	MS15L-A, ratio 2.63:1
	3809127	1	Reversing gear	MS15L-B, ratio 2.63:1
2		1	• Shaft	
3	3854249	2	• Roller bearing	
5		1	• Seal	
6	3582477	X	• Shim	TH = 0,10mm
	3582478	X	• Shim	TH = 0.15mm
	3582479	X	• Shim	TH = 0,30mm
	3582480	X	• Shim	TH = 0,50mm
7	970972	1	• Screw	
8	3581996	1	• Spacer	
9	3854249	2	• Roller bearing	
11	3884592	2	• Thrust washer	(3581997)
12		1	• Gear	
13	3582000	2	• Needle bearing	
14	3582001	2	• Bearing race	
15		2	• Spacer	
16		4	• Disc spring	
17	3582485	2	• Thrust ring	
18	3582577	2	• Lock ring	
19		10	• Disc	
20		8	• Disc	
21	3582013	X	• Shim	TH=0,40mm
	3582014	X	• Shim	TH = 0,50mm
	3582015	X	• Shim	TH = 0,60mm
	3582016	X	• Shim	TH = 0,70mm
22		2	• Retainer	
23		1	• Hub	
24	3582526	6	• Ball	
25	3582023	3	• Pin	
26	3582022	3	• Pin	
27	3582021	3	• Spring	
28		1	• Sleeve	
29	3582024	3	• Spring	
30		1	• Gear	
31	3581984	1	• Ring	
32	3582469	1	• Gasket	
33		1	• Cover	
34		1	• Shaft	
35		1	• Key	
36	941907	4	• Spring washer	
37	955294	4	• Screw	

MS25A-A

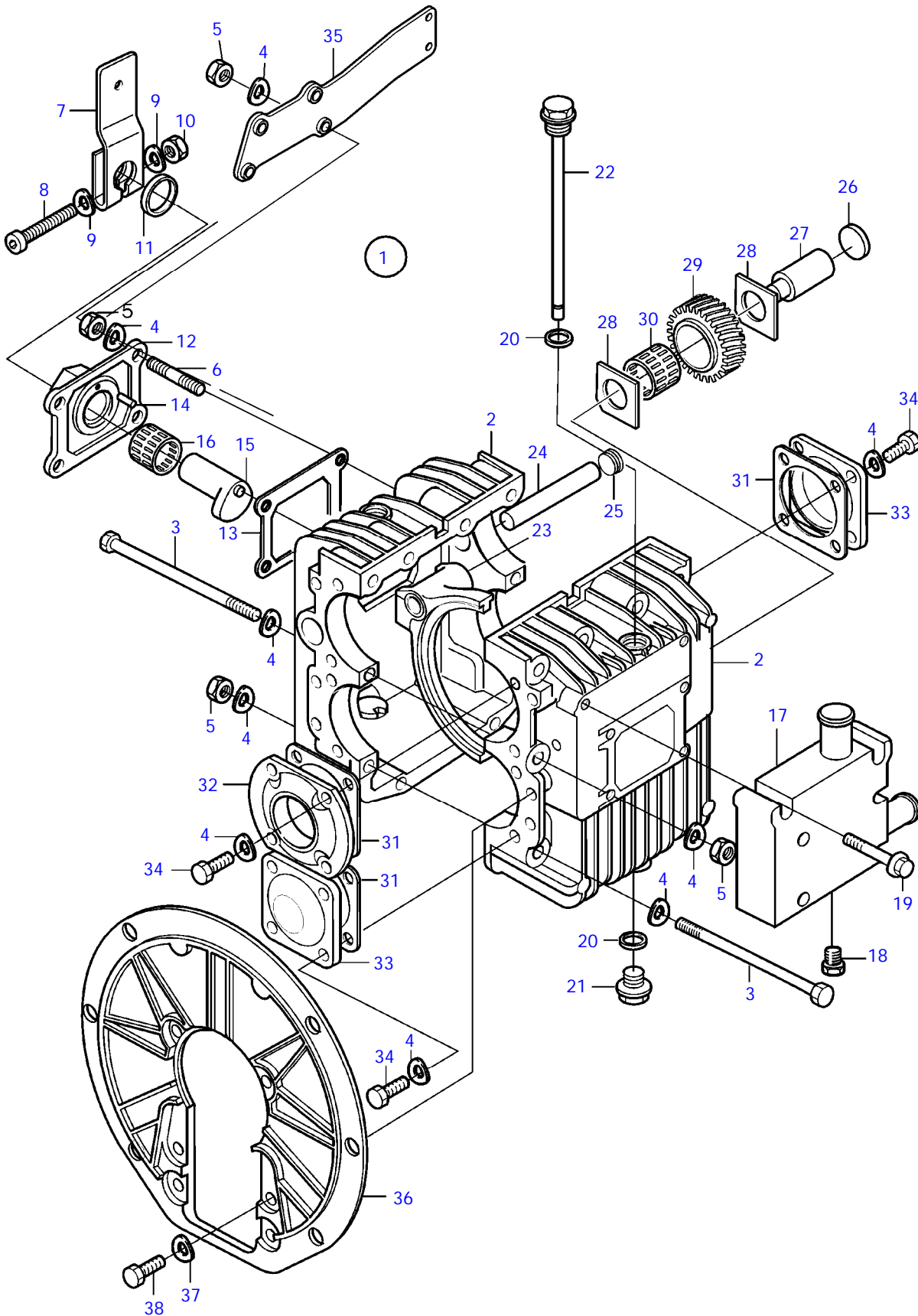


24217

MS25A-A

REF	PART NO.	QTY	DESCRIPTION	NOTES
1	3582634	1	Reversing gear	
2	3583534	1	• Housing	
3		10	• Screw	M8x110mm
4	941907	34	• Spring washer	
5	955782	16	• Nut	
6	980289	4	• Stud	
7	3586320	1	• Engagement lever	(3581965)
8	955298	1	• Screw	
9	941907	2	• Spring washer	
10	955782	1	• Nut	
11	3581966	1	• Sealing ring	
12	3581967	1	• Cover	
13	3581982	1	• Gasket	
14	3581968	1	• Pin	
15	3581969	1	• Cam	
16	3582009	2	• Bearing	
17	3581603	1	• Oil cooler	
18	479956	1	• Plug	
19	965180	6	• Flange screw	
20	957179	2	• Gasket	
21	3582174	1	• Plug	
22	3581974	1	• Dipstick	
23	3581971	1	• Fork	
24	3581972	1	• Shaft	
25	3581973	1	• Plug	
26	3581976	1	• Plug	
27		1	• Shaft	
28	3581978	2	• Plate	
29		1	• Gear	
30	3581980	1	• Retainer	
31	3581981	2	• Gasket	
32	3581963	1	• Cover	
33	3581964	1	• Cover	
34	955294	8	• Screw	
35	3586718	1	• Bracket	(3581525), (3582614)
36	3582305	1	• Cover	
37	941908	6	• Spring washer	
38	970947	6	• Screw	

MS25A-A

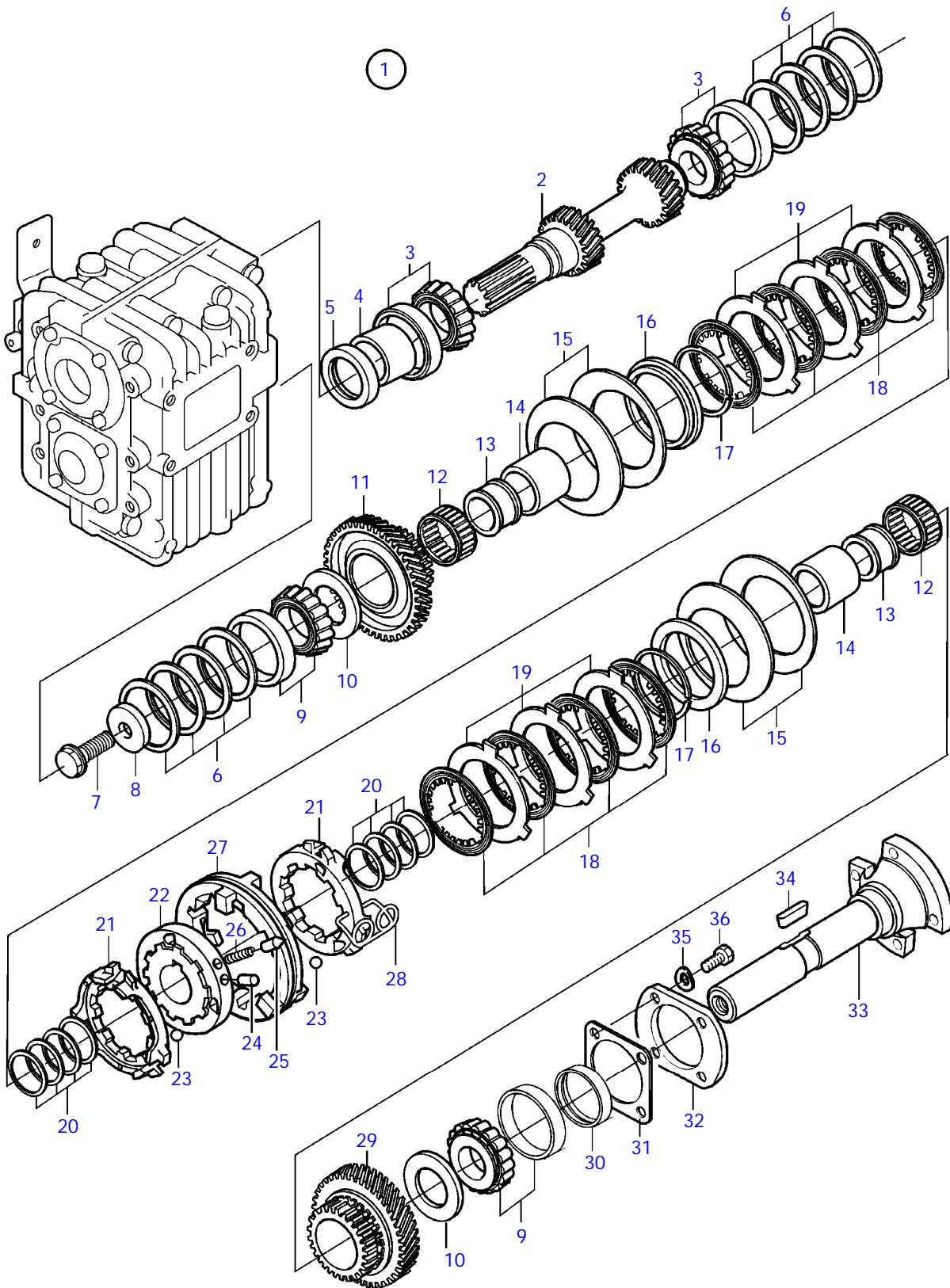


24217

MS25A-A

REF	PART NO.	QTY	DESCRIPTION	NOTES
1	3582635	1	Reversing gear	
2	3583534	1	• Housing	
3		10	• Screw	M8x110mm
4	941907	34	• Spring washer	
5	955782	16	• Nut	
6	980289	4	• Stud	
7	3586320	1	• Engagement lever	(3581965)
8	955298	1	• Screw	
9	941907	2	• Spring washer	
10	955782	1	• Nut	
11	3581966	1	• Sealing ring	
12	3581967	1	• Cover	
13	3581982	1	• Gasket	
14	3581968	1	• Pin	
15	3581969	1	• Cam	
16	3582009	2	• Bearing	
17	3581603	1	• Oil cooler	
18	479956	1	• Plug	
19	965180	6	• Flange screw	
20	957179	2	• Gasket	
21	3582174	1	• Plug	
22	3581974	1	• Dipstick	
23	3581971	1	• Fork	
24	3581972	1	• Shaft	
25	3581973	1	• Plug	
26	3581976	1	• Plug	
27		1	• Shaft	
28	3581978	2	• Plate	
29		1	• Gear	
30	3581980	1	• Retainer	
31	3581981	2	• Gasket	
32	3581963	1	• Cover	
33	3581964	1	• Cover	
34	955294	8	• Screw	
35	3586718	1	• Bracket	(3581525), (3582614)
36	3582305	1	• Cover	
37	941908	6	• Spring washer	
38	970947	6	• Screw	

MS25A-A

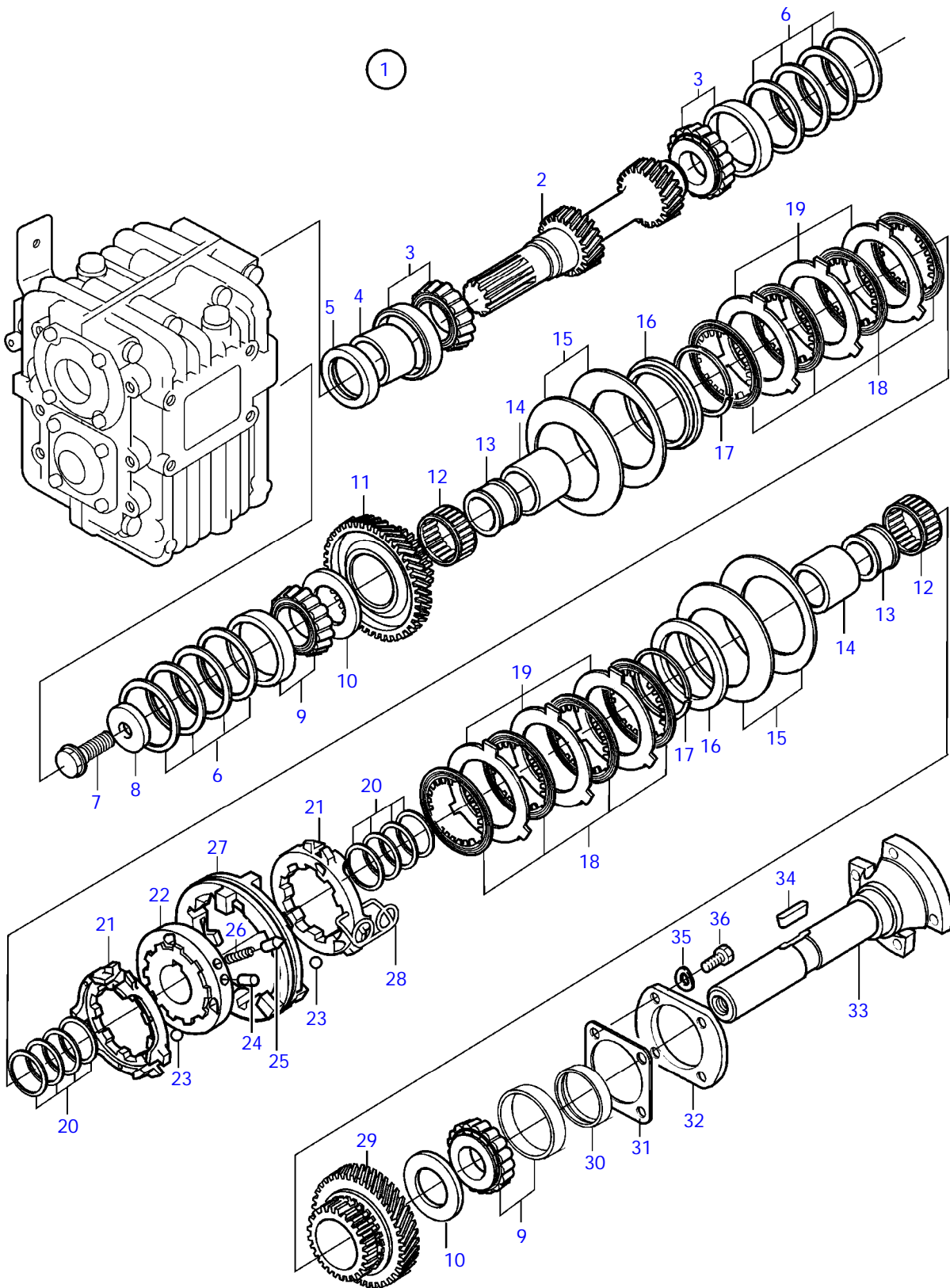


24209

MS25A-A

REF	PART NO.	QTY	DESCRIPTION	NOTES
1	3582634	1	Reversing gear	
2	3583530	1	• Shaft	
3	183647	2	• Roller bearing	
4		1	• Spacer	
5	3581983	1	• Ring	(3583535)
6	3581992	X	• Shim	TH = 0,1mm
	3581993	X	• Shim	TH = 0.15mm
	3581994	X	• Shim	TH = 0,3mm
	3581995	X	• Shim	TH=0,5mm
7	970972	1	• Screw	
8	3581996	1	• Spacer	
9	3581986	2	• Bearing	
10	3884592	2	• Thrust washer	(3583529)
11	3583537	1	• Gear	
12	3582000	2	• Needle bearing	
13	3582001	2	• Bearing race	
14	3582002	2	• Spacer	
15	3582003	4	• Spring	
16	3582004	2	• Ring	
17	3582010	2	• Spring ring	
18		10	•	SEE GROUP 99
19		8	•	SEE GROUP 99
20	3582013	X	• Shim	TH = 0,4mm
	3582014	X	• Shim	TH=0,5mm
	3582015	X	• Shim	TH = 0,6mm
	3582016	X	• Shim	TH=0,7mm
21	3582017	2	• Retainer	
22	3582019	1	• Hub	
23	3582018	6	• Ball	
24	3582023	3	• Pin	
25	3582022	3	• Pin	
26	3582021	3	• Spring	
27	3582020	1	• Sleeve	
28	3582024	3	• Spring	
29	3583532	1	• Gear	
30	3581984	1	• Ring	(3583536)
31	3581981	1	• Gasket	
32	3581963	1	• Cover	
33	3847527	1	• Shaft	
34	3582008	1	• Key	
35	941907	4	• Spring washer	
36	955294	4	• Screw	

MS25A-A

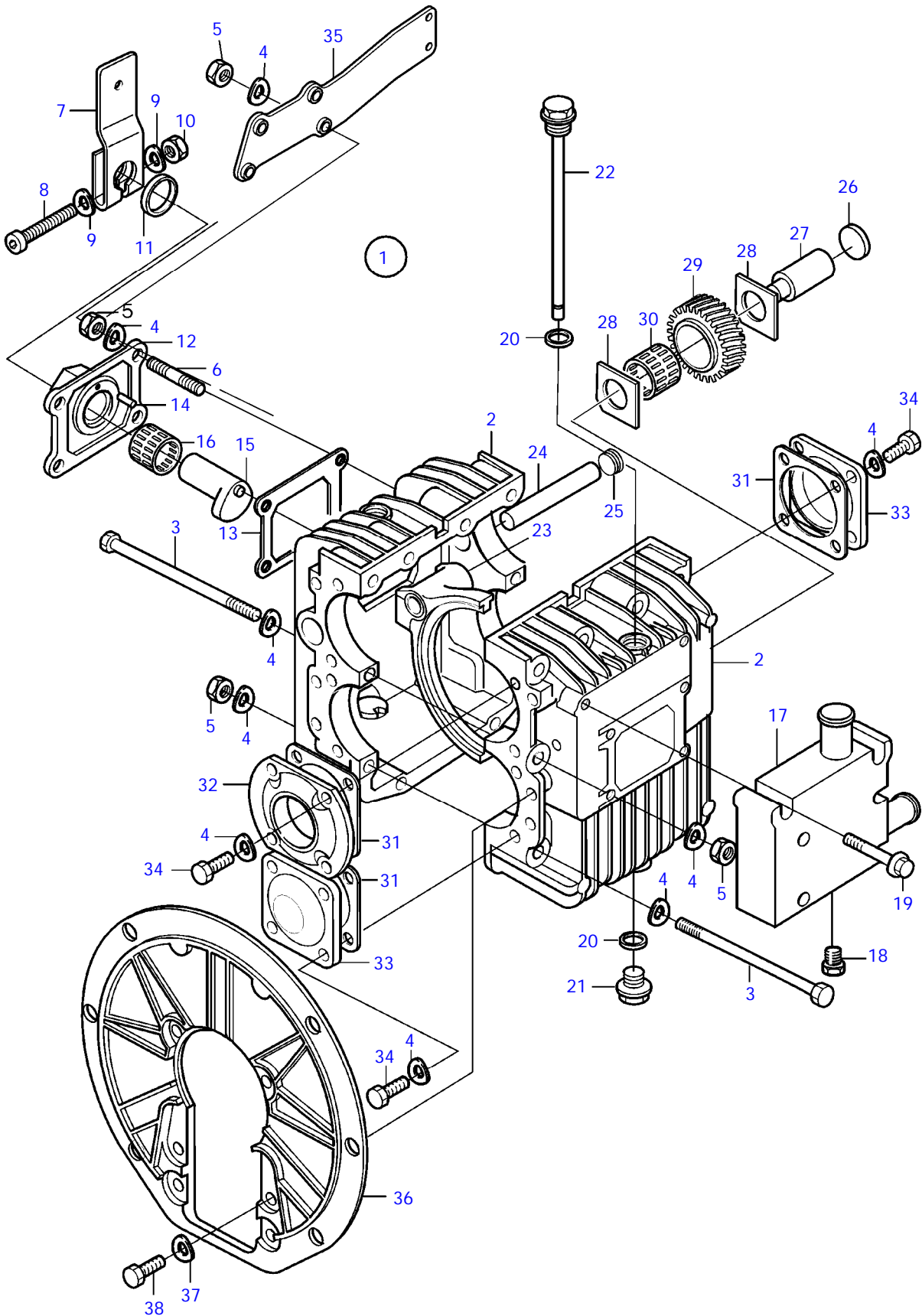


24209

MS25A-A

REF	PART NO.	QTY	DESCRIPTION	NOTES
1	3582635	1	Reversing gear	
2	3583531	1	• Shaft	
3	183647	2	• Roller bearing	
4		1	• Spacer	
5	3581983	1	• Ring	(3583535)
6	3581992	X	• Shim	TH = 0,1mm
	3581993	X	• Shim	TH = 0.15mm
	3581994	X	• Shim	TH = 0,3mm
	3581995	X	• Shim	TH=0,5mm
7	970972	1	• Screw	
8	3581996	1	• Spacer	
9	3581986	2	• Bearing	
10	3884592	2	• Thrust washer	(3583529)
11	3583538	1	• Gear	
12	3582000	2	• Needle bearing	
13	3582001	2	• Bearing race	
14	3582002	2	• Spacer	
15	3582003	4	• Spring	
16	3582004	2	• Ring	
17	3582010	2	• Spring ring	
18		10	•	SEE GROUP 99
19		8	•	SEE GROUP 99
20	3582013	X	• Shim	TH = 0,4mm
	3582014	X	• Shim	TH=0,5mm
	3582015	X	• Shim	TH = 0,6mm
	3582016	X	• Shim	TH=0,7mm
21	3582017	2	• Retainer	
22	3582019	1	• Hub	
23	3582018	6	• Ball	
24	3582023	3	• Pin	
25	3582022	3	• Pin	
26	3582021	3	• Spring	
27	3582020	1	• Sleeve	
28	3582024	3	• Spring	
29	3583532	1	• Gear	
30	3581984	1	• Ring	(3583536)
31	3581981	1	• Gasket	
32	3581963	1	• Cover	
33	3847527	1	• Shaft	
34	3582008	1	• Key	
35	941907	4	• Spring washer	
36	955294	4	• Screw	

MS25L-A

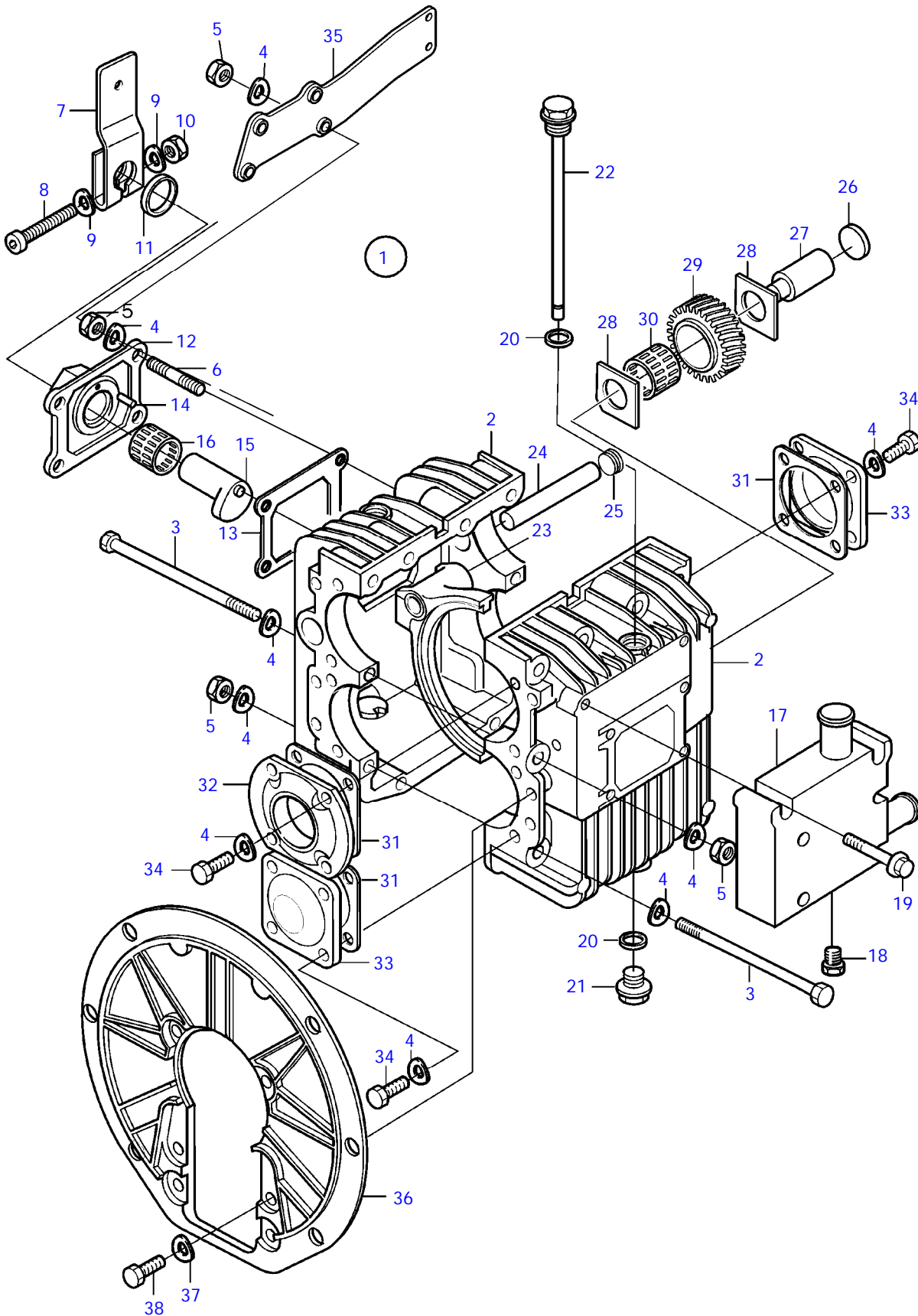


24217

MS25L-A

REF	PART NO.	QTY	DESCRIPTION	NOTES
1	3581834	1	Reversing gear	
2	3581961	1	• Housing	
3		10	• Screw	M8x110mm
4	941907	34	• Spring washer	
5	955782	16	• Nut	
6	980289	4	• Stud	
7	3586320	1	• Engagement lever	(3581965)
8	955298	1	• Screw	
9	941907	2	• Spring washer	
10	955782	1	• Nut	
11	3581966	1	• Sealing ring	
12	3581967	1	• Cover	
13	3581982	1	• Gasket	
14	3581968	1	• Pin	
15	3581969	1	• Cam	
16	3582009	2	• Bearing	
17	3581603	1	• Oil cooler	
18	479956	1	• Plug	
19	965180	6	• Flange screw	
20	957179	2	• Gasket	
21	3582174	1	• Plug	
22	3581974	1	• Dipstick	
23	3581971	1	• Fork	
24	3581972	1	• Shaft	
25	3581973	1	• Plug	
26	3581976	1	• Plug	
27		1	• Shaft	
28	3581978	2	• Plate	
29		1	• Gear	
30	3581980	1	• Retainer	
31	3581981	2	• Gasket	
32	3581963	1	• Cover	
33	3581964	1	• Cover	
34	955294	8	• Screw	
35	3586718	1	• Bracket	(3581525), (3582614)
36	3582305	1	• Cover	
37	941908	6	• Spring washer	
38	970947	6	• Screw	

MS25L-A

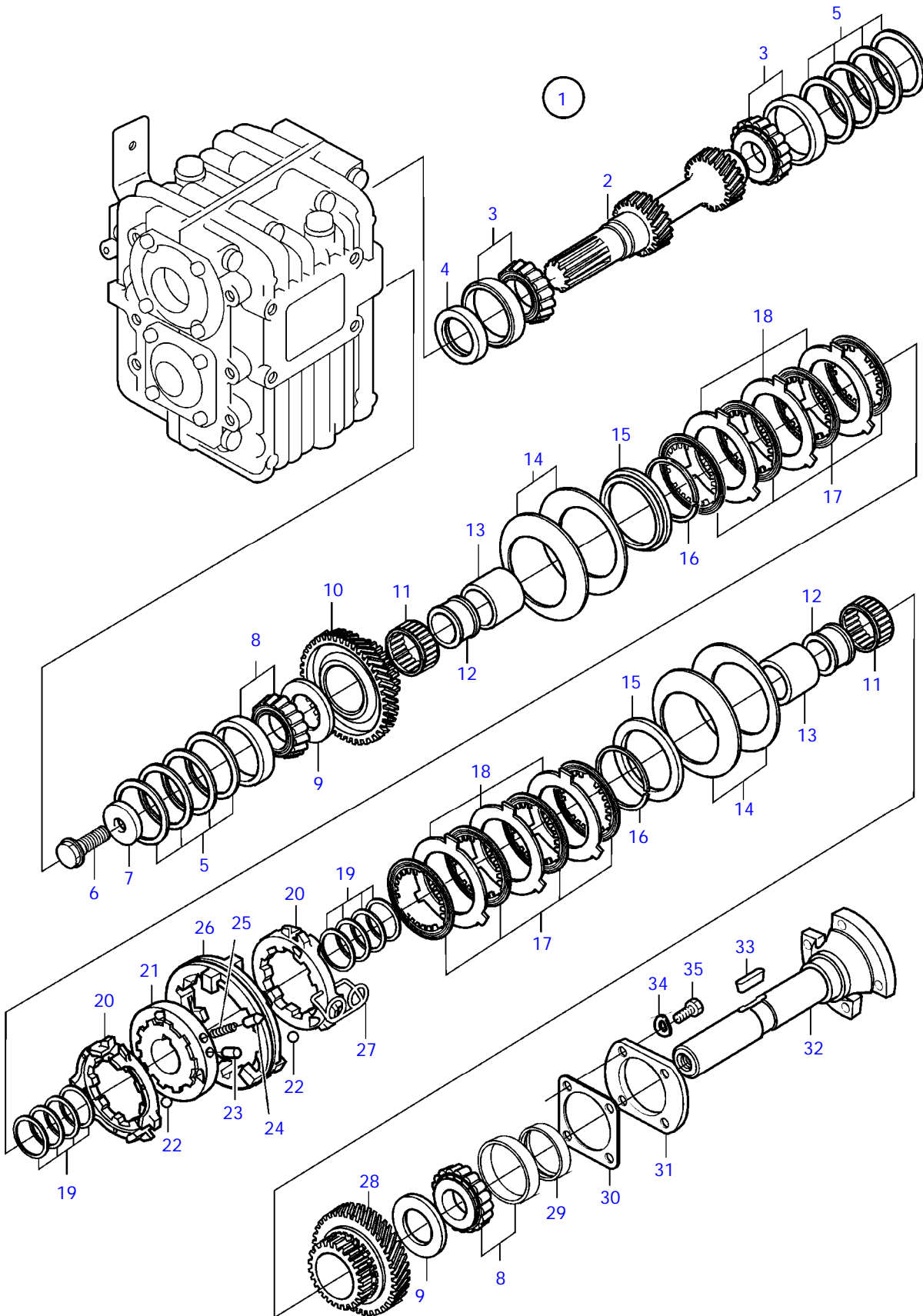


24217

MS25L-A

REF	PART NO.	QTY	DESCRIPTION	NOTES
1	3581835	1	Reversing gear	
2	3581962	1	• Housing	
3		10	• Screw	M8x110mm
4	941907	34	• Spring washer	
5	955782	16	• Nut	
6	980289	4	• Stud	
7	3586320	1	• Engagement lever	(3581965)
8	955298	1	• Screw	
9	941907	2	• Spring washer	
10	955782	1	• Nut	
11	3581966	1	• Sealing ring	
12	3581967	1	• Cover	
13	3581982	1	• Gasket	
14	3581968	1	• Pin	
15	3581969	1	• Cam	
16	3582009	2	• Bearing	
17	3581603	1	• Oil cooler	
18	479956	1	• Plug	
19	965180	6	• Flange screw	
20	957179	2	• Gasket	
21	3582174	1	• Plug	
22	3581974	1	• Dipstick	
23	3581971	1	• Fork	
24	3581972	1	• Shaft	
25	3581973	1	• Plug	
26	3581976	1	• Plug	
27		1	• Shaft	
28	3581978	2	• Plate	
29		1	• Gear	
30	3581980	1	• Retainer	
31	3581981	2	• Gasket	
32	3581963	1	• Cover	
33	3581964	1	• Cover	
34	955294	8	• Screw	
35	3586718	1	• Bracket	(3581525), (3582614)
36	3582305	1	• Cover	
37	941908	6	• Spring washer	
38	970947	6	• Screw	

MS25L-A

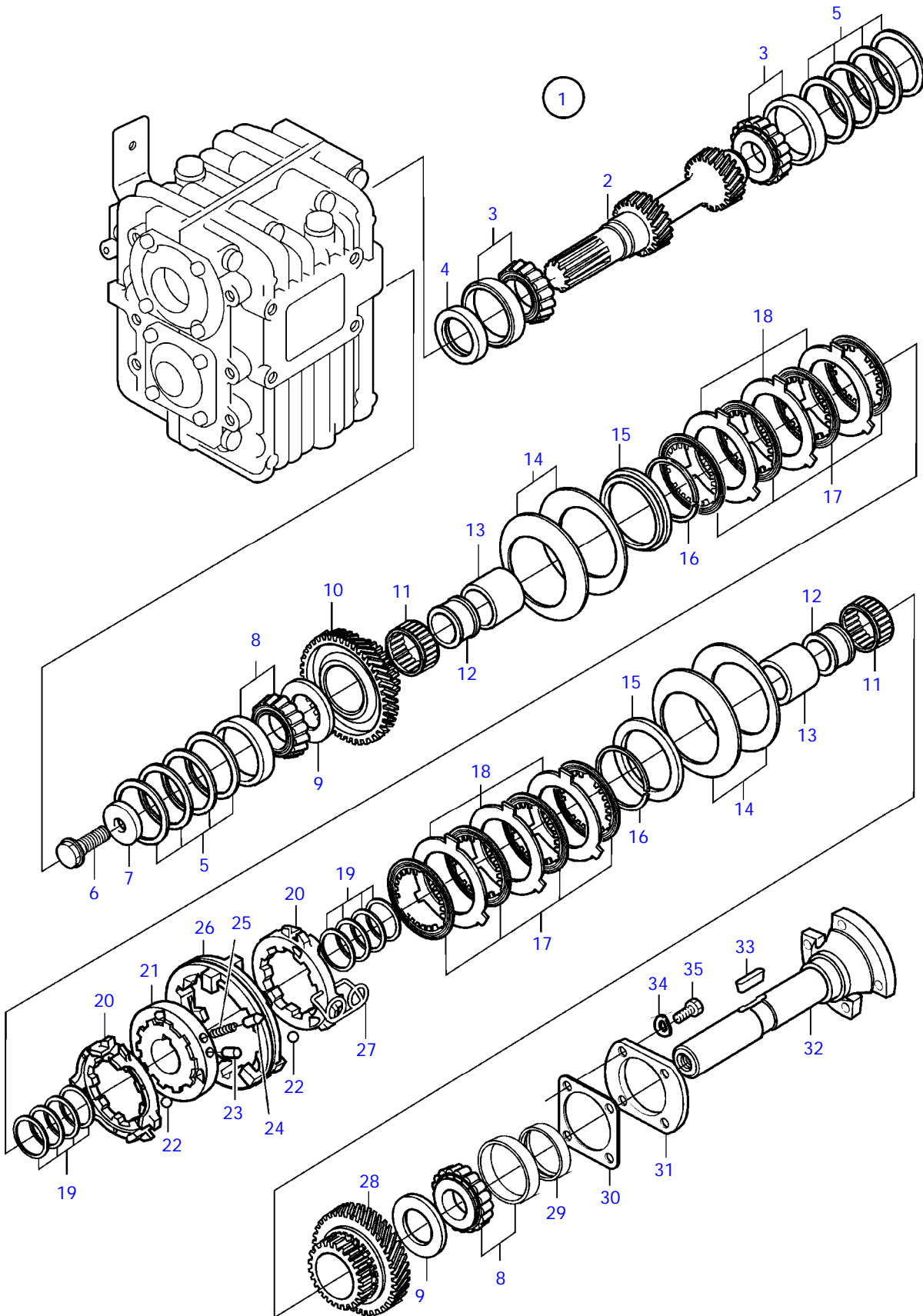


24208

MS25L-A

REF	PART NO.	QTY	DESCRIPTION	NOTES
1	3581834	1	Reversing gear	
2	3581990	1	• Shaft	
3	183647	2	• Roller bearing	
4	3581983	1	• Ring	
5	3581992	X	• Shim	TH = 0,1mm
	3581993	X	• Shim	TH = 0.15mm
	3581994	X	• Shim	TH = 0,3mm
	3581995	X	• Shim	TH=0,5mm
6	970972	1	• Screw	
7	3581996	1	• Spacer	
8	3581986	2	• Bearing	
9	3884592	2	• Thrust washer	(3581997)
10	3581998	1	• Gear	
11	3582000	2	• Needle bearing	
12	3582001	2	• Bearing race	
13	3582002	2	• Spacer	
14	3582003	4	• Spring	
15	3582004	2	• Ring	
16	3582010	2	• Spring ring	
17		10	• Disc	SEE GROUP 99
18		8	• Disc	SEE GROUP 99
19	3582013	X	• Shim	TH = 0,4mm
	3582014	X	• Shim	TH=0,5mm
	3582015	X	• Shim	TH = 0,6mm
	3582016	X	• Shim	TH=0,7mm
20	3582017	2	• Retainer	
21	3582019	1	• Hub	
22	3582018	6	• Ball	
23	3582023	3	• Pin	
24	3582022	3	• Pin	
25	3582021	3	• Spring	
26	3582020	1	• Sleeve	
27	3582024	3	• Spring	
28		1	• Gear	
29	3581984	1	• Ring	
30	3581981	1	• Gasket	
31	3581963	1	• Cover	
32	3847527	1	• Shaft	
33	3582008	4	• Key	
34	941907	4	• Spring washer	
35	955294	4	• Screw	

MS25L-A



24208

MS25L-A

REF	PART NO.	QTY	DESCRIPTION	NOTES
1	3581835	1	Reversing gear	
2	3581991	1	• Shaft	
3	183647	2	• Roller bearing	
4	3581983	1	• Ring	
5	3581992	X	• Shim	TH = 0,1mm
	3581993	X	• Shim	TH = 0.15mm
	3581994	X	• Shim	TH = 0,3mm
	3581995	X	• Shim	TH=0,5mm
6	970972	1	• Screw	
7	3581996	1	• Spacer	
8	3581986	2	• Bearing	
9	3884592	2	• Thrust washer	(3581997)
10	3581999	1	• Gear	
11	3582000	2	• Needle bearing	
12	3582001	2	• Bearing race	
13	3582002	2	• Spacer	
14	3582003	4	• Spring	
15	3582004	2	• Ring	
16	3582010	2	• Spring ring	
17		10	• Disc	SEE GROUP 99
18		8	• Disc	SEE GROUP 99
19	3582013	X	• Shim	TH = 0,4mm
	3582014	X	• Shim	TH=0,5mm
	3582015	X	• Shim	TH = 0,6mm
	3582016	X	• Shim	TH=0,7mm
20	3582017	2	• Retainer	
21	3582019	1	• Hub	
22	3582018	6	• Ball	
23	3582023	3	• Pin	
24	3582022	3	• Pin	
25	3582021	3	• Spring	
26	3582020	1	• Sleeve	
27	3582024	3	• Spring	
28		1	• Gear	
29	3581984	1	• Ring	
30	3581981	1	• Gasket	
31	3581963	1	• Cover	
32	3847527	1	• Shaft	
33	3582008	4	• Key	
34	941907	4	• Spring washer	
35	955294	4	• Screw	

MS10A-A, MS10A-B, MS10L-A, MS10L-B

REF	PART NO.	QTY	DESCRIPTION
1	877287	1	Sealing kit
	3581966	1	• Sealing ring
	3581982	1	• Gasket
	3582557	4	• Gasket
		1	• Lip
		1	• Lip
	3582630	1	• O-ring
	877289	1	Overhaul kit
	3581966	1	• Sealing ring
	3581982	1	• Gasket
	3582557	4	• Gasket
		1	• Lip
		1	• Lip
	3582578	8	• Disc
	3582579	6	• Disc
	3582630	1	• O-ring

MS15A-A, MS15A-B, MS15L-A, MS15L-B

REF	PART NO.	QTY	DESCRIPTION
1	877291	1	Sealing kit
	3581966	1	• Sealing ring
	3581982	1	• Gasket
	3581984	1	• Ring
	3582469	4	• Gasket
		1	• Seal
	3582610	1	• O-ring
	877292	1	Overhaul kit
	3581966	1	• Sealing ring
	3581982	1	• Gasket
	3581984	1	• Ring
		1	• Seal
		8	• Disc
		6	• Disc
	3582557	4	• Gasket
	3582610	1	• O-ring

MS25A-A, MS25L-A

REF	PART NO.	QTY	DESCRIPTION
1	877078	1	Overhaul kit
	3581966	1	• Sealing ring
	3581981	4	• Gasket
	3581982	1	• Gasket
	3581983	1	• Ring
	3581984	1	• Ring
	3582011	10	• Disc
	3582012	8	• Disc
	877099	1	Sealing kit
	3581966	1	• Sealing ring
	3581981	4	• Gasket
	3581982	1	• Gasket
	3581983	1	• Ring
	3581984	1	• Ring

--

DESCRIPTION	SEE SEC.	NOTES
Reverse Gear MS10A: RATIO 2.35:1	4366	MS10A-A, MS10A-B
Reverse Gear MS10A: RATIO 2.72:1	4366B	MS10A-A, MS10A-B
Reverse Gear MS10A, Components: RATIO 2.35:1	4367	MS10A-A, MS10A-B
Reverse Gear MS10A, Components: RATIO 2.72:1	4367B	MS10A-A, MS10A-B
Reverse Gear MS10L: RATIO 2.35:1	4375	MS10L-A, MS10L-B
Reverse Gear MS10L: RATIO 2.72:1	4375B	MS10L-A, MS10L-B
Reverse Gear MS10L, Components: RATIO 2.35:1	4376	MS10L-A, MS10L-B
Reverse Gear MS10L, Components: RATIO 2.72:1	4376B	MS10L-A, MS10L-B
Reverse Gear MS15A: RATIO 2.14:1	4370	MS15A-A, MS15A-B
Reverse Gear MS15A: RATIO 2.63:1	4370B	MS15A-A, MS15A-B
Reverse Gear MS15A, Components: RATIO 2.14:1	4371	MS15A-A, MS15A-B
Reverse Gear MS15A, Components: RATIO 2.63:1	4371B	MS15A-A, MS15A-B
Reverse Gear MS15L: RATIO 2.14:1	3962	MS15L-A, MS15L-B
Reverse Gear MS15L: RATIO 2.63:1	3962B	MS15L-A, MS15L-B
Reverse Gear MS15L, Components: RATIO 2.14:1	3964	MS15L-A, MS15L-B
Reverse Gear MS15L, Components: RATIO 2.63:1	3964B	MS15L-A, MS15L-B
Reverse Gear MS25A: RATIO 2.23:1	4883	MS25A-A
Reverse Gear MS25A: RATIO 2.74:1	4883B	MS25A-A
Reverse Gear MS25A, Components: RATIO 2.23:1	4964	MS25A-A
Reverse Gear MS25A, Components: RATIO 2.74:1	4964B	MS25A-A
Reverse Gear MS25L: RATIO 2.27:1	3669	MS25L-A
Reverse Gear MS25L: RATIO 2.74:1	3669B	MS25L-A
Reverse Gear MS25L, Components: RATIO 2.27:1	3670	MS25L-A
Reverse Gear MS25L, Components: RATIO 2.74:1	3670B	MS25L-A

--

DESCRIPTION	SEE SEC.	NOTES
Overhaul Kits and Sealing Ring Kits: A	4483	MS10A-A, MS10A-B, MS10L-A, MS10L-B, MS15A-A, MS15A-B, MS15L-A, MS15L-B
Overhaul Kits and Sealing Ring Kits: B	4483B	MS10A-A, MS10A-B, MS10L-A, MS10L-B, MS15A-A, MS15A-B, MS15L-A, MS15L-B
Overhaul Kits and Sealing Ring Kits	3717	MS25A-A, MS25L-A

