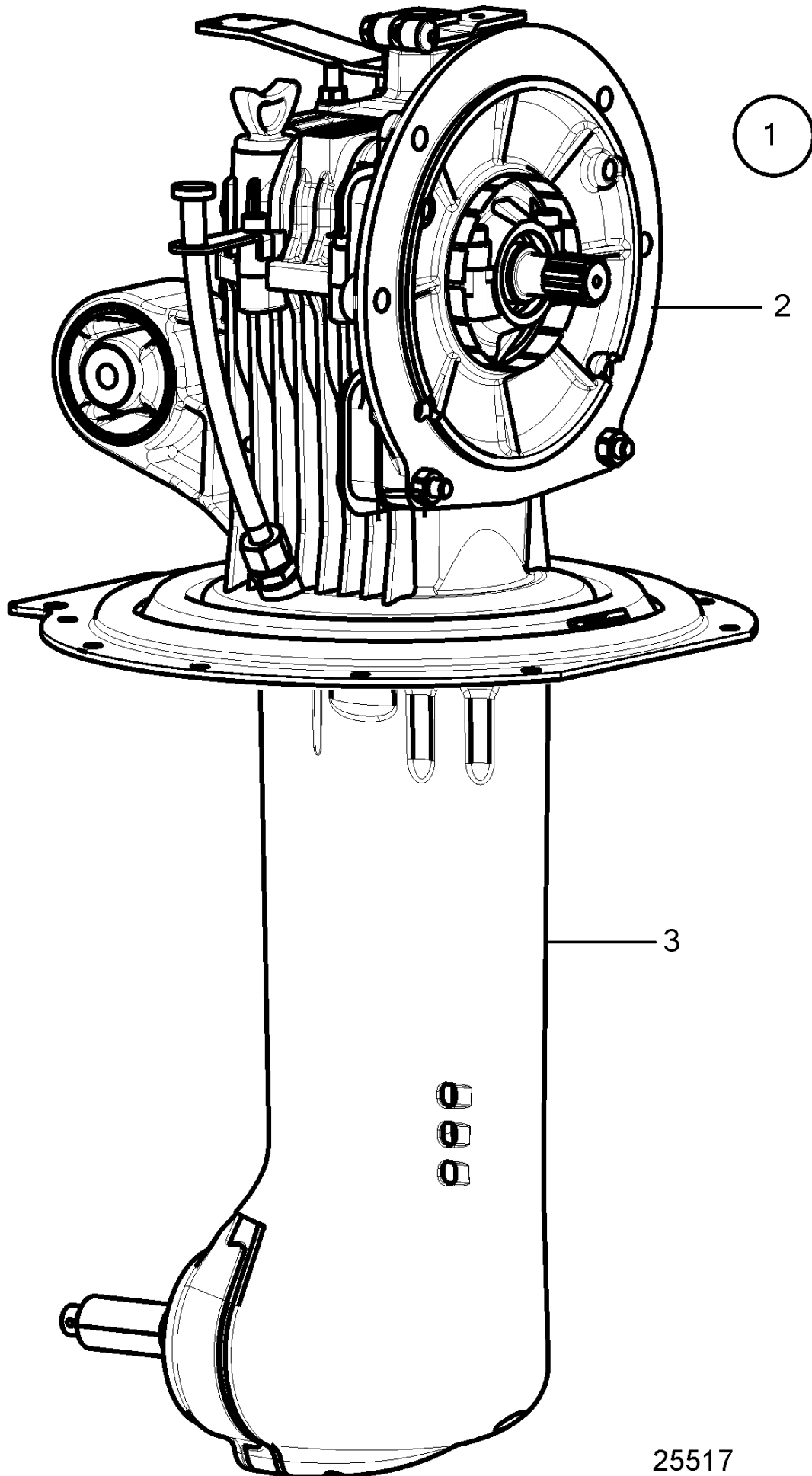


150S-A, 150S-B, 150SR-A, 150SR-B

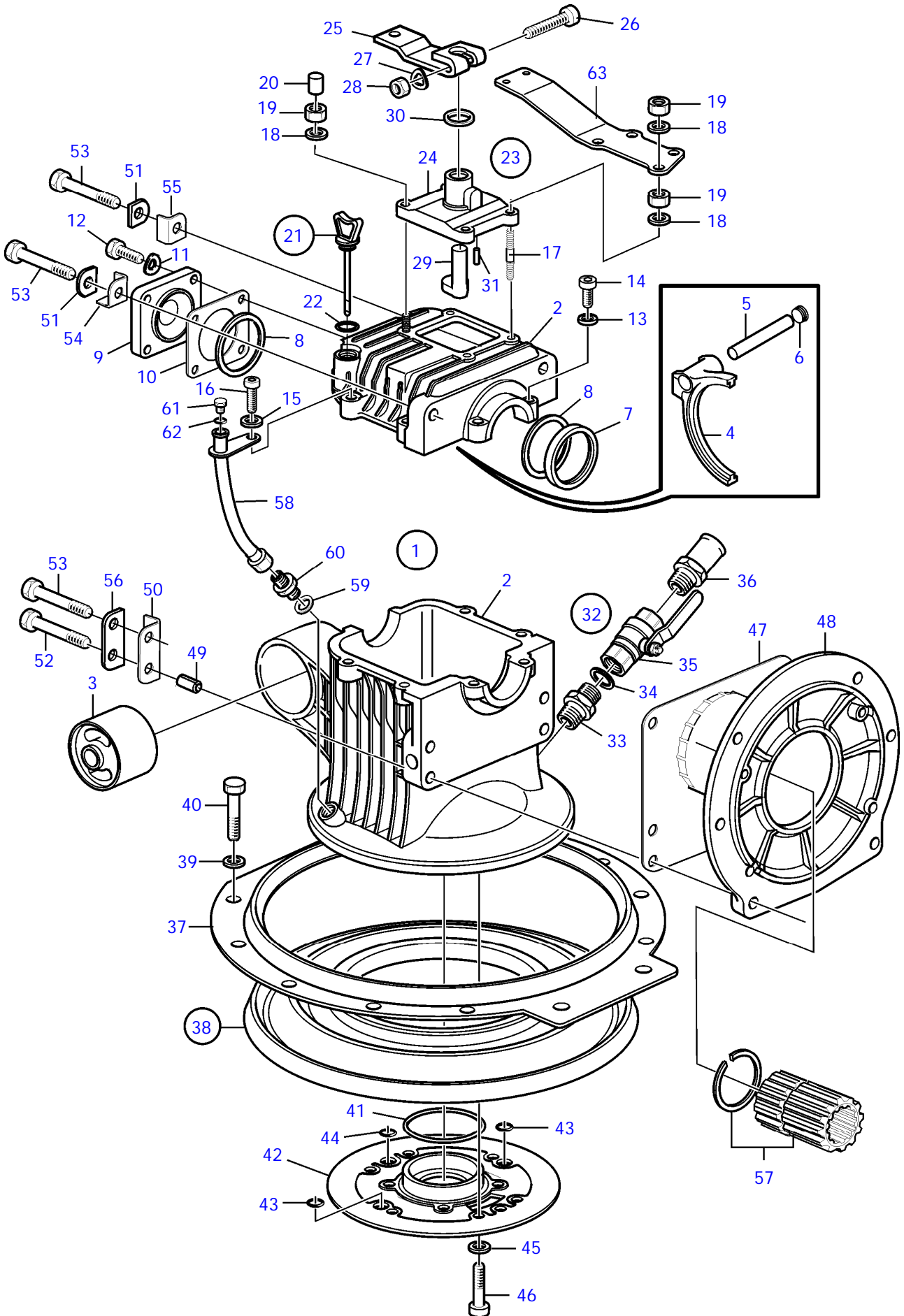


25517

150S-A, 150S-B, 150SR-A, 150SR-B

REF	PART NO.	QTY	DESCRIPTION	SEE SEC.	NOTES
1	3819865	1	Sail drive		Ratio 2.19:1
2	888326	1	• Gear housing		Ratio 2.19:1
			•		
			•	7556	
3	889670	1	• Gear housing		Ratio 2.19:1
			•		
			•	7562	

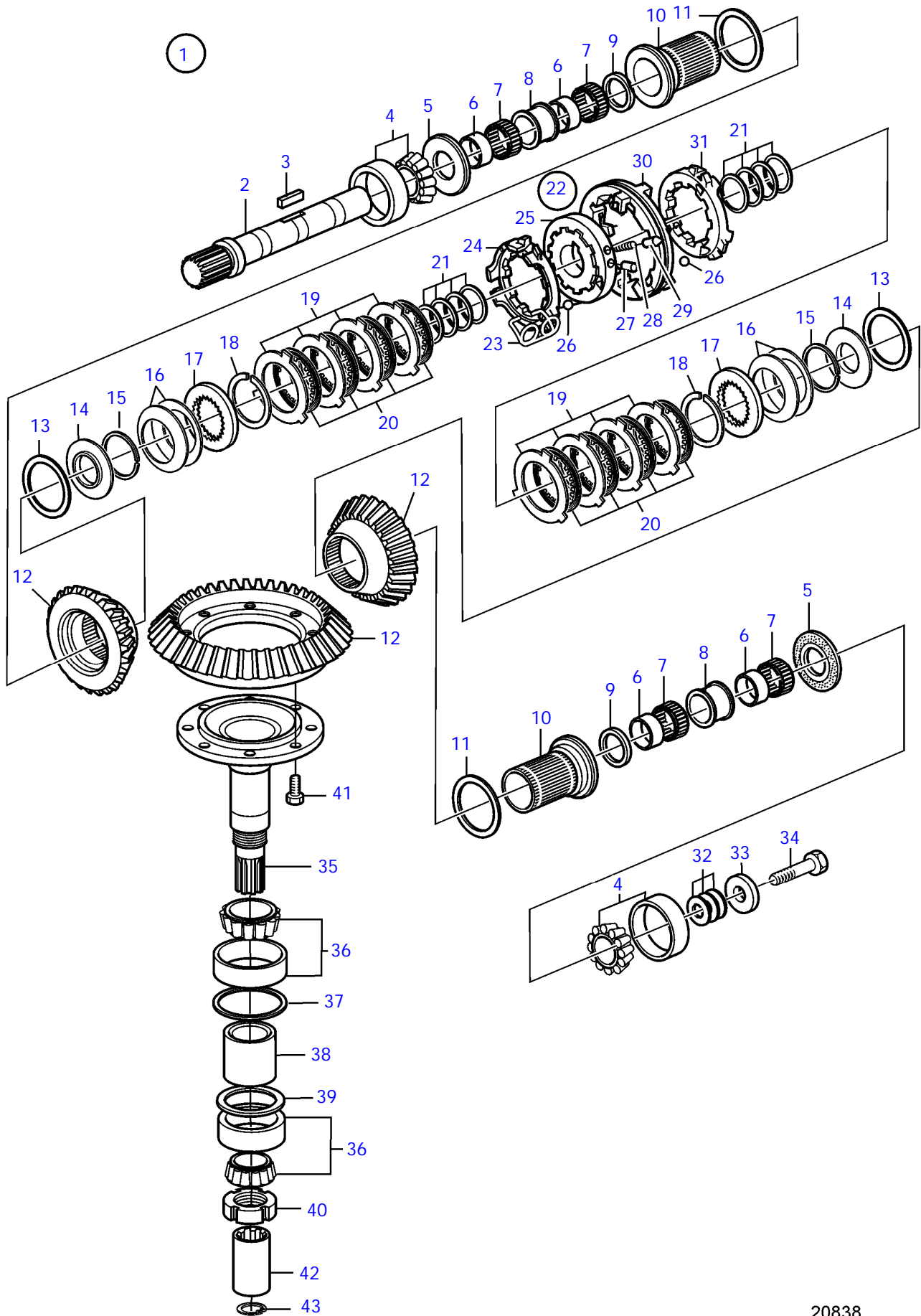
150S-A, 150S-B, 150SR-A, 150SR-B



150S-A, 150S-B, 150SR-A, 150SR-B

REF	PART NO.	QTY	DESCRIPTION	SEE SEC.	NOTES
1	888326	1	Gear housing		
			.		
			.	7565	
2	3586508	1	• Gear housing		
3	3586700	1	• Rubber bushing		
4	3582551	1	• Shift yoke		Replaced by service kit 40005267
	40005267	1	• Gear changing unit, shift mechanism		Includes shift mechanism 3849903, shaft 3849909 and fork 3593595.
5	3582463	1	• Fork shaft		Replaced by service kit 40005267
6	3581973	1	• Plug		
7	3583322	1	• Sealing		
8	948298	X	• Shim		TJ=0,10mm (3582566)
	948299	X	• Shim		TJ=0,15mm (3582567)
	3582568	X	• Shim		TH=0,20mm
	948300	X	• Shim		TH = 0,30mm, (3582569)
	3586724	X	• Shim		TH = 0,50mm
	3586728	X	• Shim		TH = 1,00mm
9	3582922	1	• Cover		
10	3582557	1	• Gasket		
11	941907	4	• Spring washer		
12	955294	4	• Hexagon screw		
13	941907	6	• Spring washer		
14	941761	6	• Hex. socket screw		
15	941907	2	• Spring washer		
16	959229	2	• Hex. socket screw		
17	3586720	4	• Stud		
18	941907	6	• Spring washer		
19	955782	6	• Hexagon nut		
20		2	• Protecting cap		
21	3807633	1	• Oil dipstick		
22	3582203	1	• • O-ring		
23	3849903	1	• Shift mechanism		
24	3582550	1	• • Cover		
25	3849913	1	• • Engagement lever kit		
26		1	• • • Screw		Included in kit.
27		2	• • • Spring washer		Included in kit.
28		1	• • • Nut		Included in kit.
29		1	• • Cam		Included in kit.
30	3581966	1	• • Sealing		
31		1	• • Pin		Included in kit.
32	3586646	1	• Faucet		
33	3586649	1	• • Nipple		
34	3586647	1	• • Sealing		
35	3586651	1	• • Faucet		
36	3586650	1	• • Nipple		
37	3586701	1	• Tensioning ring		
38	21389074	1	• Rubber bellows		
			.	7584	
39	941670	10	• Washer		
40	946541	10	• Hex. socket screw		
41	925256	1	• O-ring		
42	3584064	1	• Intermediate plate		
43	944364	2	• O-ring		
44	976994	1	• O-ring		
45	941670	3	• Washer		
46	946541	3	• Hex. socket screw		
47	3583356	1	Isolation plate		
48	3583355	1	Flange		
49	3583361	1	Insulating bushing		
50	3583359	2	Insulating washer		
51	3583360	2	Washer		
52	970954	2	Hexagon screw		L=60mm
53	965185	4	Flange screw		L=40mm
54	3583358	1	Insulating washer		
55	3583357	1	Insulating washer		
56	3583539	2	Plate		
57	3843112	1	Splined sleeve		(3583492)
58	3586321	1	Oil draining pipe		
59	3807630	1	Sealing		
60	3807629	1	Nipple		
61	3807631	1	Plug		
62		1	• O-ring		Included in plug.
63	3586718	1	Bracket		

150S-A, 150S-B, 150SR-A, 150SR-B

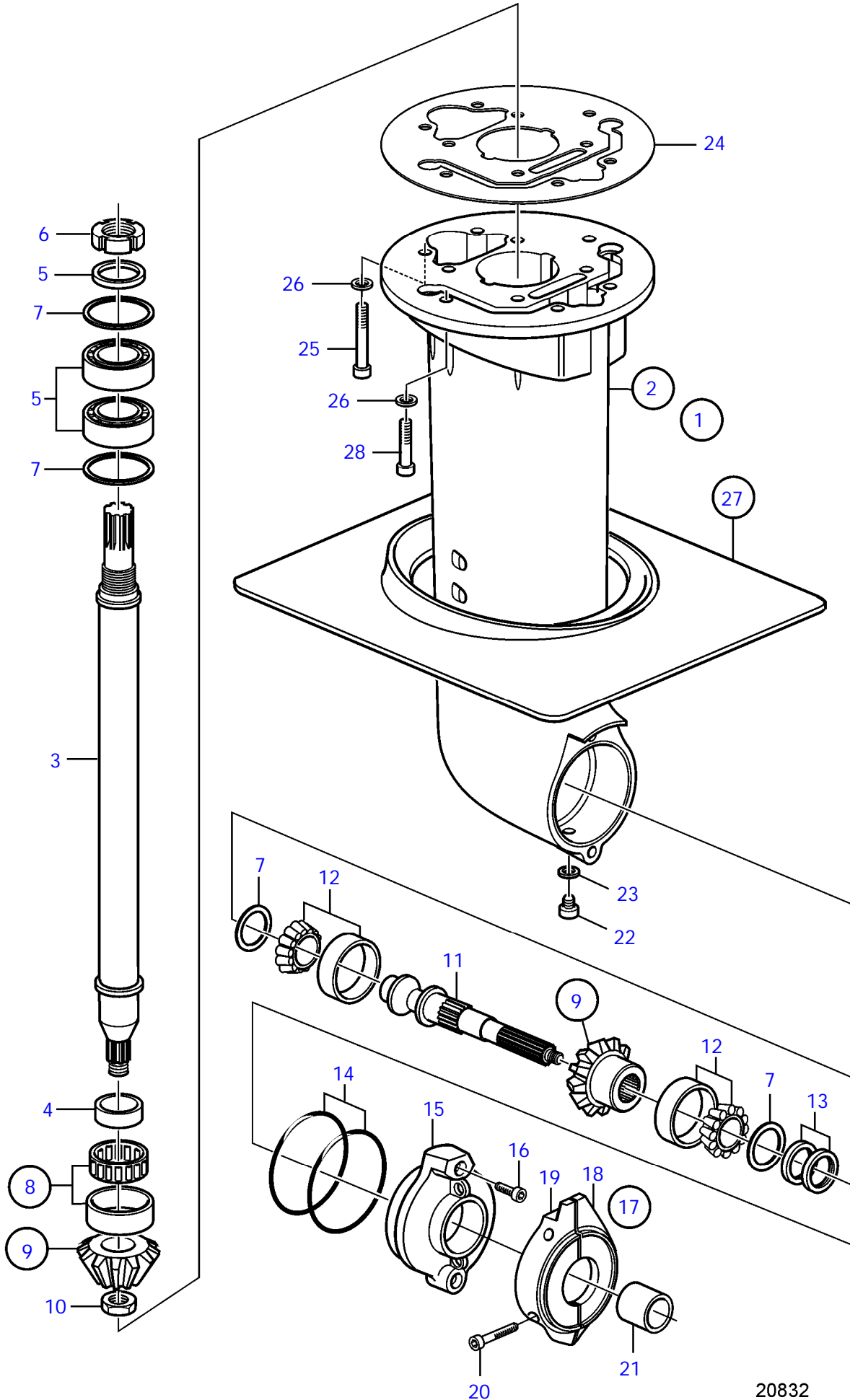


20838

150S-A, 150S-B, 150SR-A, 150SR-B

REF	PART NO.	QTY	DESCRIPTION	NOTES
1	888326	1	Gear housing	
2	3843548	1	• Input shaft	(3808936)
3	3582591	2	• Key	
4	183834	2	• Roller bearing	
5	3582571	2	• Thrust washer	
6	3582904	4	• Inner race	
7	3582905	4	• Needle bearing	
8	3582906	2	• Spacer ring	
9	3586558	2	• Ring	
10	3586546	2	• Bushing	
11	3582908	X	• Shim	TH=0,10mm
	3586721	X	• Shim	TH=0,15mm
	3582911	X	• Shim	TH=0,20mm
	3582910	X	• Shim	TH = 0,30mm
	3586723	X	• Shim	TH = 0,50mm
12	3586547	1	• Gear set	
13	948298	X	• Shim	TJ=0,10mm (3582566)
	948299	X	• Shim	TJ=0,15mm (3582567)
	3582568	X	• Shim	TH=0,20mm
	948300	X	• Shim	TH = 0,30mm, (3582569)
	3586724	X	• Shim	TH = 0,50mm
	3586728	X	• Shim	TH = 1,00mm
14	3586555	2	• Spacer	
15	3582917	2	• Lock ring	
16	3586557	2	• Disc spring	
17	3586556	2	• End disc	
18	3582577	2	• Lock ring	
19	3582579	8	• Disc	
20	3582578	8	• Disc	
21	3582872	X	• Shim	TH=0,15mm
	3583430	X	• Shim	TH=0,20mm
	3583429	X	• Shim	TH = 0,30mm
	3582580	X	• Shim	TH=0,40mm
	3582581	X	• Shim	TH = 0,50mm
	3582582	X	• Shim	TH = 0,60mm
	3582583	X	• Shim	TH = 0,70mm
22	3594258	1	• Gear selector contro	
23	3582024	3	• • Torsion spring	
24	3586532	1	• • Plate	Replaced by service kit 40005266
25	3594267	1	• • Guide sleeve	
26	3582585	6	• • Ball	
27	3582590	3	• • Spindle	
28	3582588	3	• • Spring	
29	3582589	3	• • Stop pin	
30	3586525	1	• • Guide sleeve	Replaced by service kit 40005266
	40005266	1	• • Service kit, sliding sleeve	
31	3586533	1	• • Plate	Replaced by service kit 40005266
32	3586725	X	• Shim	TH=0,10mm
	3586726	X	• Shim	TH=0,15mm
	3582900	X	• Shim	TH=0,20mm
	3582901	X	• Shim	TH = 0,50mm
	3586727	X	• Shim	TH = 1,00mm
33	3582899	1	• Washer	
34	3808717	1	• Screw	
35	3588826	1	• Shaft	
36	11041	2	• Roller bearing	
37	3586729	X	• Shim	TH=0,10mm
	3582874	X	• Shim	TH=0,15mm
	3582875	X	• Shim	TH=0,20mm
	3586730	X	• Shim	TH = 0,50mm
	3586731	X	• Shim	TH = 1,00mm
38	3586509	1	• Spacer	
39	3586657	X	• Shim	TH=0,10mm
	3586658	X	• Shim	TH=0,15mm
	3586659	X	• Shim	TH=0,20mm
	3586660	X	• Shim	TH = 0,30mm
	3582580	X	• Shim	TH=0,40mm
40	3586732	1	• Lock nut	
41	955271	8	• Hexagon screw	
42	3586676	1	Splined sleeve	
43	3586678	1	Lock ring	

150S-A, 150S-B, 150SR-A, 150SR-B



20832

150S-A, 150S-B, 150SR-A, 150SR-B

REF	PART NO.	QTY	DESCRIPTION	NOTES
1	889670	1	Gear housing	
2	3584493	1	• Gear housing	
3	889740	1	• • Shaft	
4	889736	1	• Inner ring	
5	11041	2	• Roller bearing	
6	3586672	1	• Lock nut	
7	3586729	X	• Shim	TH=0,10mm
	3582874	X	• Shim	TH=0,15mm
	3582875	X	• Shim	TH=0,20mm
	3586730	X	• Shim	TH = 0,50mm
	3586731	X	• Shim	TH = 1,00mm
8	3586323	1	• Needle bearing	
9	3584421	1	• Gear set	
10	3808938	1	• Nut	
11	889742	1	• Propeller shaft	
12	183647	2	• Roller bearing	
13	3593663	2	• Sealing ring	
14	889672	2	• O-ring	
15	3584065	1	• Bearing housing	
16	946541	2	• Hex. socket screw	L=25mm
17	3888305	1	• Anode kit, zinc	
	3888306	1	• Anode kit, magnesium	
18		1	• • Anode	
19		1	• • Anode	Left
20	963688	2	• • Hex. socket screw	L=40mm
21	3582887	1	• Spacer	
22	3854539	1	• Plug	
23	3855081	1	• • O-ring	
24	3586693	1	Gasket	
25	963703	8	Hex. socket screw	OBSELETE PART
26	941670	10	Washer	
27	854932	1	Mounting kit	(3583365)
28	963700	2	Hex. socket screw	

150S-A, 150S-B, 150SR-A, 150SR-B

REF	PART NO.	QTY	DESCRIPTION	NOTES
1	3589687	1	Sealing kit	
	3581966	1	• Sealing	
	3583322	1	• Sealing	
	3582203	1	• O-ring	
	3582557	1	• Gasket	
	889763	1	• Sealing ring	
	3586647	2	• Sealing	
	889672	2	• O-ring	
	3593663	2	• Sealing ring	
	3586693	1	• Gasket	
	976994	1	• O-ring	
	944364	1	• O-ring	
	957175	1	• Gasket	
	925256	1	• O-ring	
	3589686	1	Disc kit	
	3583322	1	• Sealing	
	3582024	3	• Torsion spring	
	3582566	2	• Shim	
	3582567	2	• Shim	
	3582569	2	• Shim	
	3582577	2	• Lock ring	
	3586556	2	• End disc	
	3582571	2	• Thrust washer	
	3582557	1	• Gasket	
	21389074	1	Rubber bellows	
		1	• Rubber bellows	
		1	• Cover plate	
	960238	1	• O-ring	
	21112496	1	• Sealing ring kit	
	3582896	1	• Locking wire	L=700mm
	925256	1	• O-ring	
	3856834	1	• Gasket	
	21112497	1	• Sealing ring kit	
	925256	1	• O-ring	
	944364	2	• O-ring	
	976994	1	• O-ring	
	3586693	1	• Gasket	

--

DESCRIPTION	SEE SEC.	NOTES
Drive 150S-A, 150S-B, 150SR-A,150SR-B, complete: Ratio 2.19:1	36462	150S-A, 150S-B, 150SR-A, 150SR-B
Upper Gear Unit Sail Boat Drive Unit 150S, 150SR: RATIO 2.19:1	7556	150S-A, 150S-B, 150SR-A, 150SR-B
Upper Gear Unit Sail Boat Drive Unit 150S, 150SR, Components	7565	150S-A, 150S-B, 150SR-A, 150SR-B
Lower Gear Unit Sail Boat Drive Unit 150S, 150SR: RATIO 2.19:1	7562	150S-A, 150S-B, 150SR-A, 150SR-B

--

DESCRIPTION	SEE SEC.	NOTES
Overhaul Kits and Sealing Ring Kits: 150S, 150SR	7584	150S-A, 150S-B, 150SR-A, 150SR-B

REF	DESCRIPTION	SEE SEC.
44	Transmissions	44
99	Repair Kits	99

