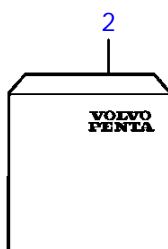
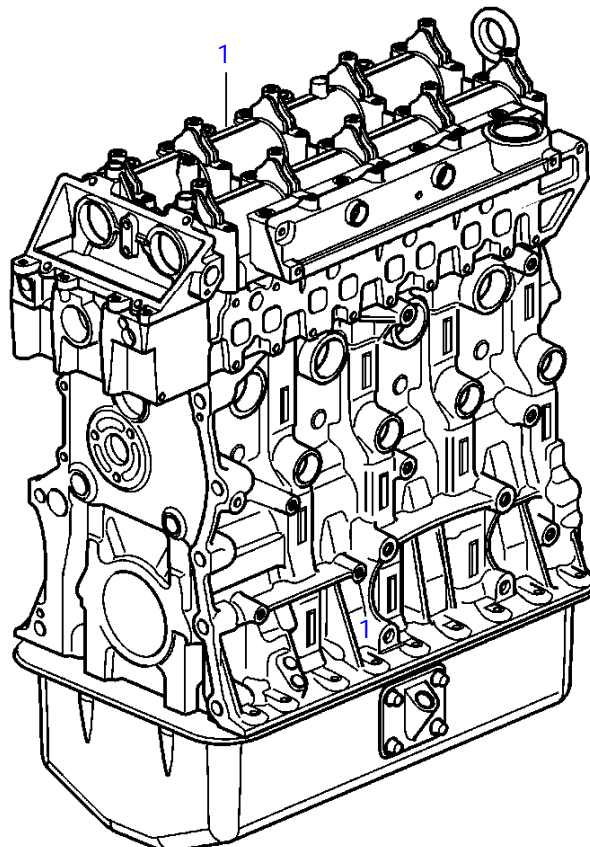
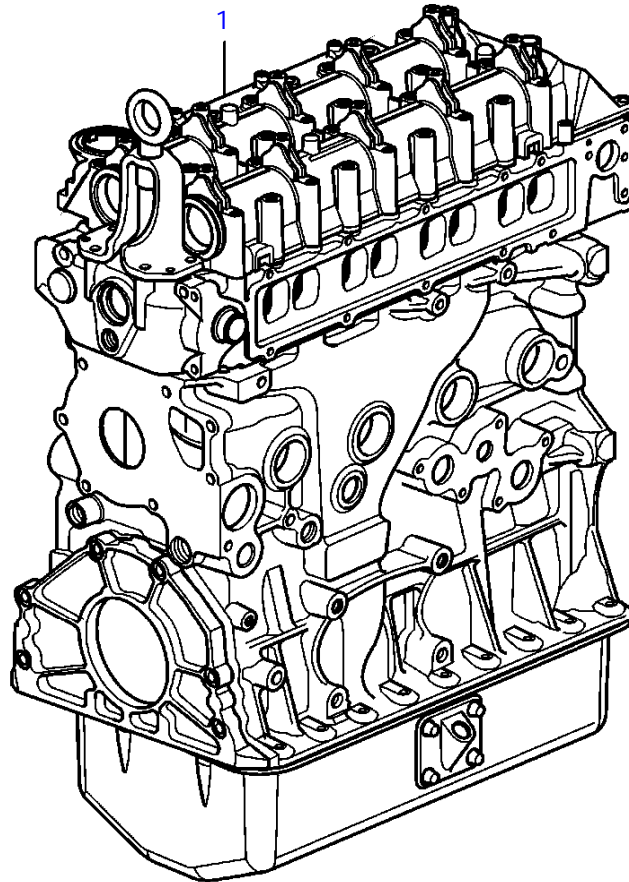


D4-180I-B, D4-180I-C, D4-180I-D, D4-210A-A, D4-210A-B, D4-210I-A, D4-210I-B, D4-225A-B, D4-225A-C, D4-225A-D, D4-225I-B, D4-225I-C, D4-225I-D, D4-260A-A, D4-260A-B, D4-260A-C, D4-260A-D, D4-260D-B, D4-260D-C, D4-260D-D, D4-260I-A, D4-260I-B, D4-260I-C, D4-260I-D, D4-180I-E, D4-225A-E, D4-225I-E, D4-260A-E, D4-260D-E, D4-260I-E

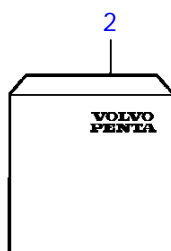
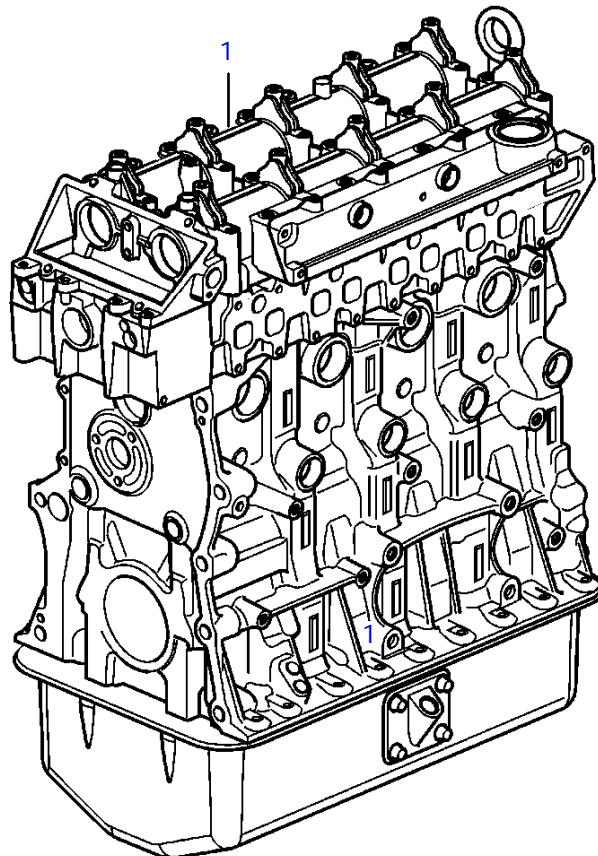
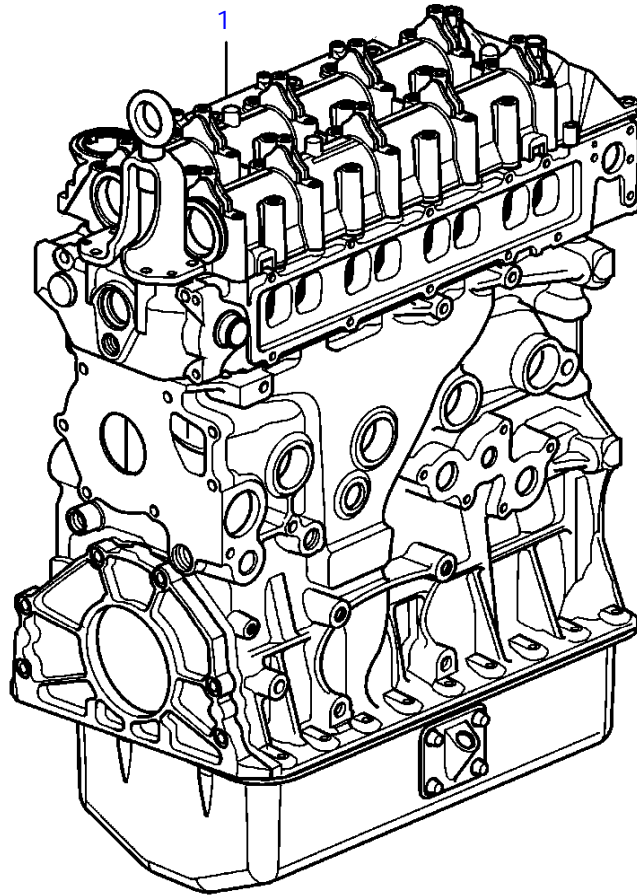


25640

D4-180I-B, D4-180I-C, D4-180I-D, D4-210A-A, D4-210A-B, D4-210I-A, D4-210I-B, D4-225A-B, D4-225A-C, D4-225A-D, D4-225I-B, D4-225I-C, D4-225I-D, D4-260A-A, D4-260A-B, D4-260A-C, D4-260A-D, D4-260D-B, D4-260D-C, D4-260D-D, D4-260I-A, D4-260I-B, D4-260I-C, D4-260I-D, D4-180I-E, D4-225A-E, D4-225I-E, D4-260A-E, D4-260D-E, D4-260I-E

REF	PART NO.	QTY	DESCRIPTION	SEE SEC.	NOTES
1	3801376	1	Longblock engine		SN2004000898-
			* Bulletin P-21-0-20	P-21-0-20-EN	Longblocks for Diesel Engines
			* Bulletin P-21-0-23	P-21-0-23-EN	New Exchange Units for Volvo Penta Engines
2	21181057	1	Connector kit		SN-2004026999

D4-300A-A, D4-300A-C, D4-300A-D, D4-300D-A, D4-300D-C, D4-300D-D, D4-300I-A, D4-300I-C, D4-300I-D, D4-300A-E,
D4-300D-E, D4-300I-E

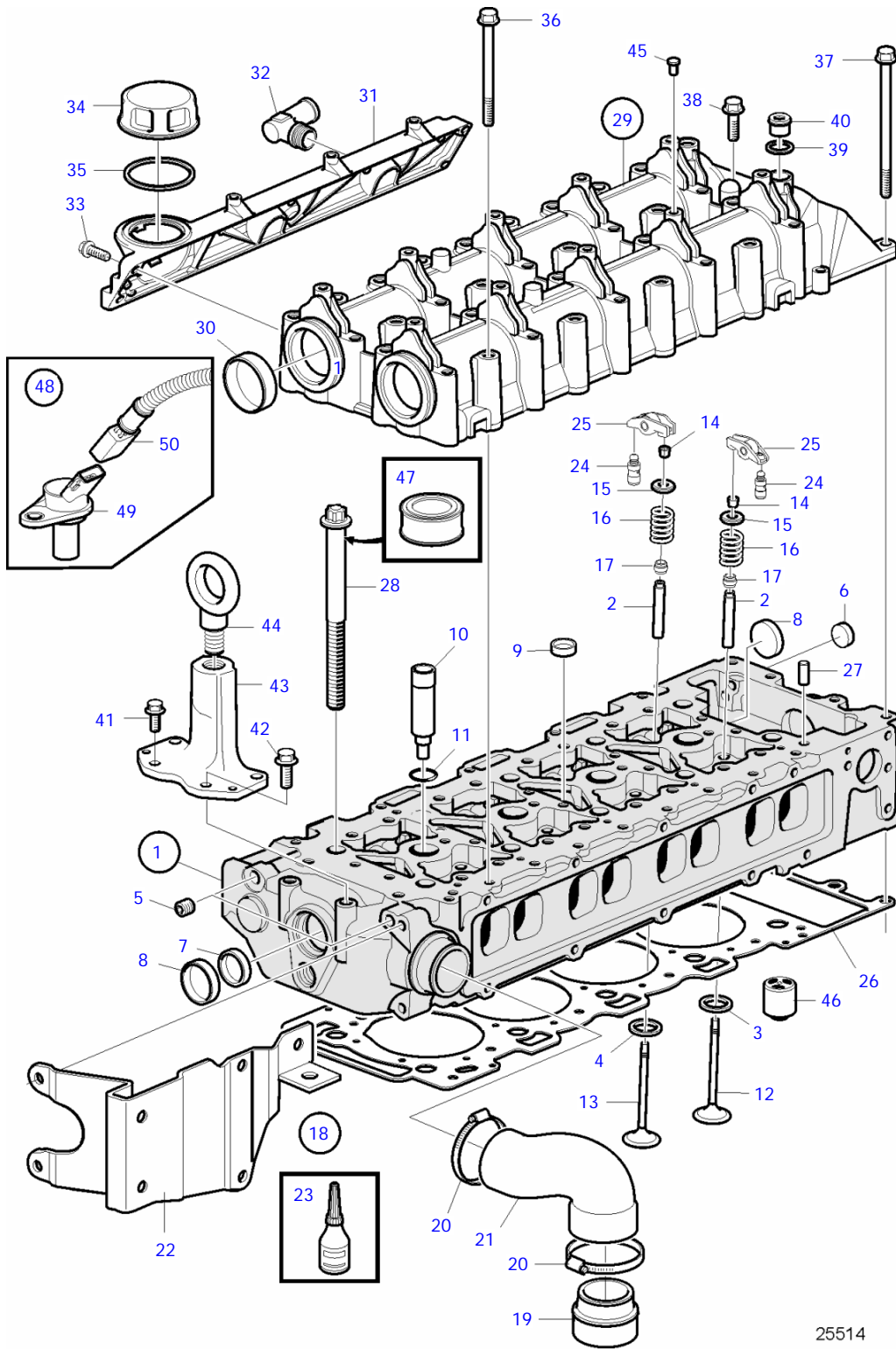


25640

D4-300A-A, D4-300A-C, D4-300A-D, D4-300D-A, D4-300D-C, D4-300D-D, D4-300I-A, D4-300I-C, D4-300I-D, D4-300A-E, D4-300D-E, D4-300I-E

REF	PART NO.	QTY	DESCRIPTION	SEE SEC.	NOTES
1	3801378	1	Longblock engine		SN2004000898-
			• Bulletin P-21-0-20	P-21-0-20-EN	Longblocks for Diesel Engines
			• Bulletin P-21-0-23	P-21-0-23-EN	New Exchange Units for Volvo Penta Engines
2	21181057	1	Connector kit		SN-2004027156

D4-180I-B, D4-180I-C, D4-180I-D, D4-210A-A, D4-210A-B, D4-210I-A, D4-210I-B, D4-225A-B, D4-225A-C, D4-225A-D, D4-225I-B, D4-225I-C, D4-225I-D, D4-260A-A, D4-260A-B, D4-260A-C, D4-260A-D, D4-260D-B, D4-260D-C, D4-260D-D, D4-260I-A, D4-260I-B, D4-260I-C, D4-260I-D, D4-180I-E, D4-225A-E, D4-225I-E, D4-260A-E, D4-260D-E, D4-260I-E

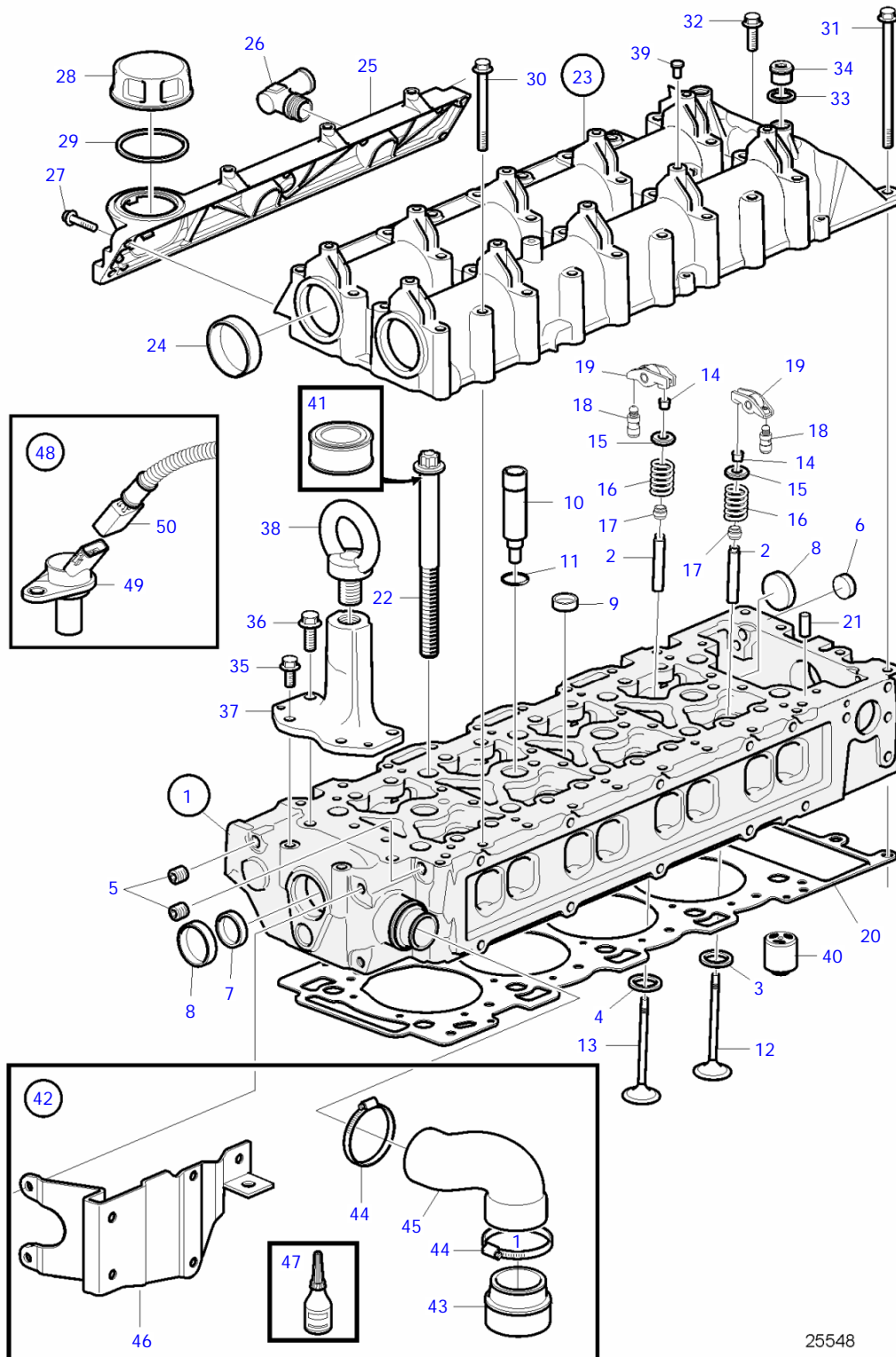


25514

D4-180I-B, D4-180I-C, D4-180I-D, D4-210A-A, D4-210A-B, D4-210I-A, D4-210I-B, D4-225A-B, D4-225A-C, D4-225A-D, D4-225I-B, D4-225I-C, D4-225I-D, D4-260A-A, D4-260A-B, D4-260A-C, D4-260A-D, D4-260D-B, D4-260D-C, D4-260D-D, D4-260I-A, D4-260I-B, D4-260I-C, D4-260I-D, D4-180I-E, D4-225A-E, D4-225I-E, D4-260A-E, D4-260D-E, D4-260I-E

REF	PART NO.	QTY	DESCRIPTION	NOTES
1	3801255	1	Cylinder head	(3803887)
2	3580892	16	* Valve guide	
3	3581861	8	* Valve seat, intake	
4	3581862	8	* Valve seat, exhaust	
5	990828	4	* Plug	
6	3588502	2	* Expansion plug	
7	24426721	2	* Expansion plug	
8	8131707	2	* Cap plug	
9	3583579	7	* Expansion plug	
10	889970	4	* Sleeve	
11	3583753	4	* O-ring	
12	3884010	8	* Inlet valve	
13	3884015	8	* Exhaust valve	
14	861703	32	* Valve cotter	
15	3889240	16	* Valve spring washer	
16	3581889	16	* Valve spring	
17	877072	16	Valve stem seal	
18	21181057	1	Connector kit	For new cylinder head in combination with heat exchanger without pipe connection.
19	3808092	1	* Pipe connection	
20	943479	2	* Hose clamp	
21	3593996	1	* Hose	
22	21368510	1	* Bracket	
23	1161370	1	* Adhesive	50ml
24	3581894	16	Rocker arm	
25	3581893	16	Cam	
26	3581868	1	Cylinder head gasket	
27	950564	2	Pin	
28	3581866	10	Screw	SN-2004017198
	21384459	10	Flange screw	SN2004017199-
29	3583872	1	Valve cover	SN-2004017198, Replaced by 1pc valve cover 40005652 and 1pc camshaft kit 21138559.
	40005652	1	Valve cover	SN2004017199-
30	8130035	2	* Expansion plug	
31		1	* Cover	
32	3583959	1	* Elbow nipple	
33	948356	5	* Flange screw	
34	1275403	1	Oil filler cap	
35	1275379	1	Gasket	
36	965182	28	Flange screw	
37	968999	3	Flange screw	
38	945444	1	Flange screw	
39	947622	2	Gasket	
40	966143	2	Plug	
41	946329	2	Flange screw	
42	946173	2	Flange screw	
43	3888143	1	Lifting bracket	
44	984458	1	Lifting eye	
45	3584061	10	Washer	
46	3582933	2	Valve	
47	3588347	X	Lubricant	25G
48	21138559	1	Sensor kit	For flywheel housing with SN2004017199- mounted on engine with SN-2004017198
49	20513343	1	* Sensor	
50	21138239	1	* Wiring harness	

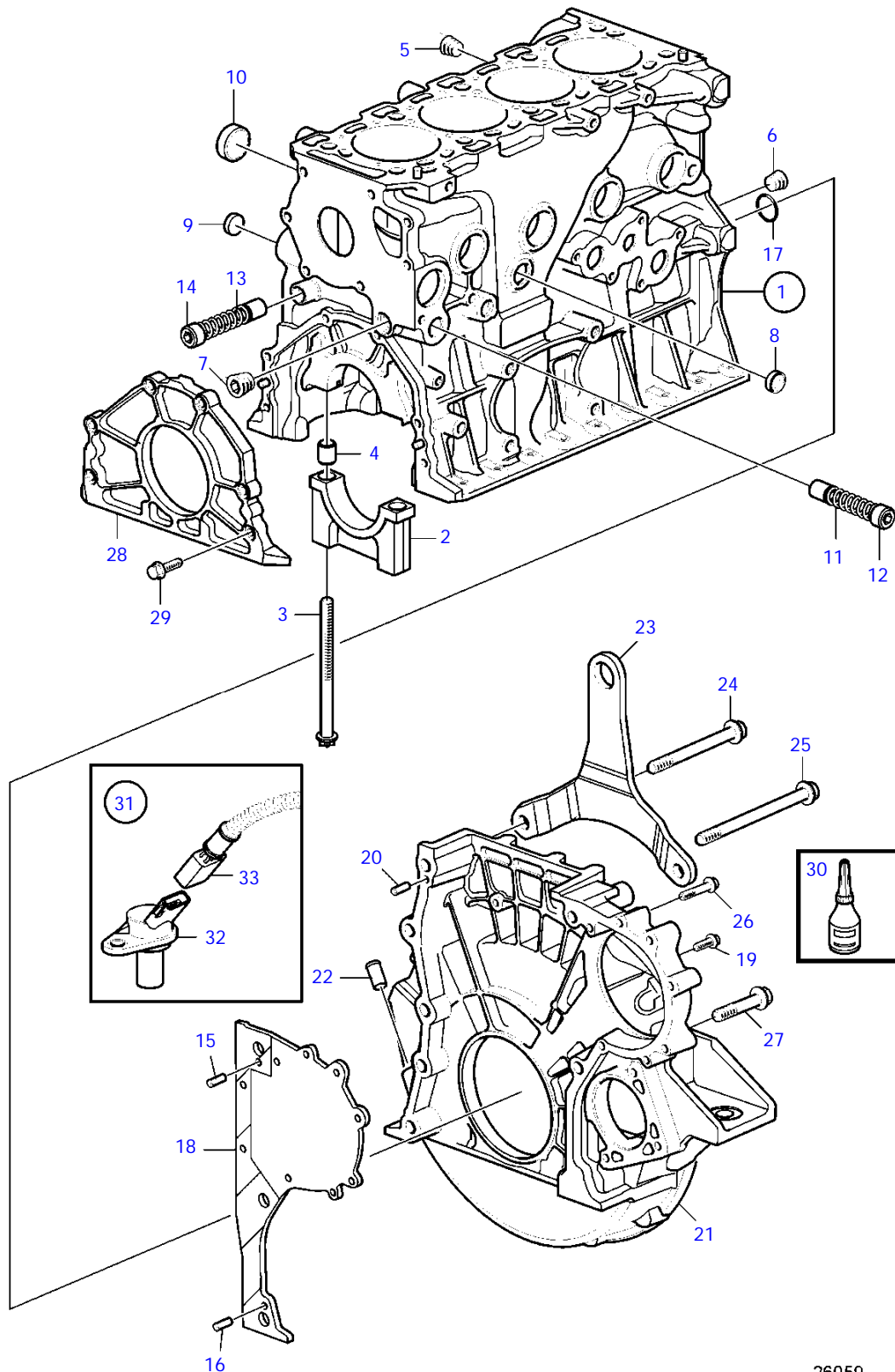
D4-300A-A, D4-300A-C, D4-300A-D, D4-300D-A, D4-300D-C, D4-300D-D, D4-300I-A, D4-300I-C, D4-300I-D, D4-300A-E, D4-300D-E, D4-300I-E



D4-300A-A, D4-300A-C, D4-300A-D, D4-300D-A, D4-300D-C, D4-300D-D, D4-300I-A, D4-300I-C, D4-300I-D, D4-300A-E, D4-300D-E, D4-300I-E

REF	PART NO.	QTY	DESCRIPTION	NOTES
1	3801257	1	Cylinder head	(3801172)
2	3580892	16	* Valve guide	
3	3581861	8	* Valve seat, intake	
4	3581862	8	* Valve seat, exhaust	
5	990828	4	* Plug	
6	3588502	2	* Expansion plug	
7	24426721	2	* Expansion plug	
8	8131707	2	* Cap plug	
9	3583579	7	* Expansion plug	
10	889970	4	* Sleeve	
11	3583753	4	* O-ring	
12	3884010	8	* Inlet valve	
13	3884015	8	* Exhaust valve	
14	861703	32	* Valve cotter	
15	3889240	16	* Valve spring washer	
16	3581889	16	* Valve spring	
17	877072	16	Valve stem seal	
18	3581894	16	Rocker arm	
19	3581893	16	Cam	
20	3581868	1	Cylinder head gasket	
21	950564	2	Pin	
22	21384459	10	Flange screw	
23	3583872	1	Valve cover	SN-2004017198, Replaced by 1pc valve cover 40005652 and 1pc camshaft kit 21138559.
	40005652	1	Valve cover	SN2004017199-
24	8130035	2	* Expansion plug	
25		1	* Cover	
26	3583959	1	* * Elbow nipple	
27	948356	5	* Flange screw	
28	1275403	1	Oil filler cap	
29	1275379	1	Gasket	
30	965182	28	Flange screw	
31	968999	3	Flange screw	
32	945444	1	Flange screw	
33	947622	2	Gasket	
34	966143	2	Plug	
35	946329	2	Flange screw	
36	946173	2	Flange screw	
37	3888143	1	Lifting bracket	
38	984458	1	Lifting eye	
39	3584061	10	Washer	
40	3582933	2	Valve	
41	3588347	X	Lubricant	25G
42	21181057	1	Connector kit	For new cylinder head in combination with heat exchanger without pipe connection.
43	3808092	1	* Pipe connection	
44	943479	2	* Hose clamp	
45	3593996	1	* Hose	
46	21368510	1	* Bracket	
47	1161370	1	* Adhesive	50ml
48	21138559	1	Sensor kit	For flywheel housing with SN2004017199- mounted on engine with SN-2004017198
49	20513343	1	* Sensor	
50	21138239	1	* Wiring harness	

D4-180I-B, D4-180I-C, D4-180I-D, D4-210A-A, D4-210A-B, D4-210I-A, D4-210I-B, D4-225A-B, D4-225A-C, D4-225A-D, D4-225I-B, D4-225I-C, D4-225I-D, D4-260A-A, D4-260A-B, D4-260A-C, D4-260A-D, D4-260D-B, D4-260D-C, D4-260D-D, D4-260I-A, D4-260I-B, D4-260I-C, D4-260I-D, D4-300A-A, D4-300A-C, D4-300A-D, D4-300D-A, D4-300D-C, D4-300D-D, D4-300I-A, D4-300I-C, D4-300I-D, D4-180I-E, D4-225A-E, D4-225I-E, D4-260A-E, D4-260D-E, D4-260I-E, D4-300A-E, D4-300D-E, D4-300I-E



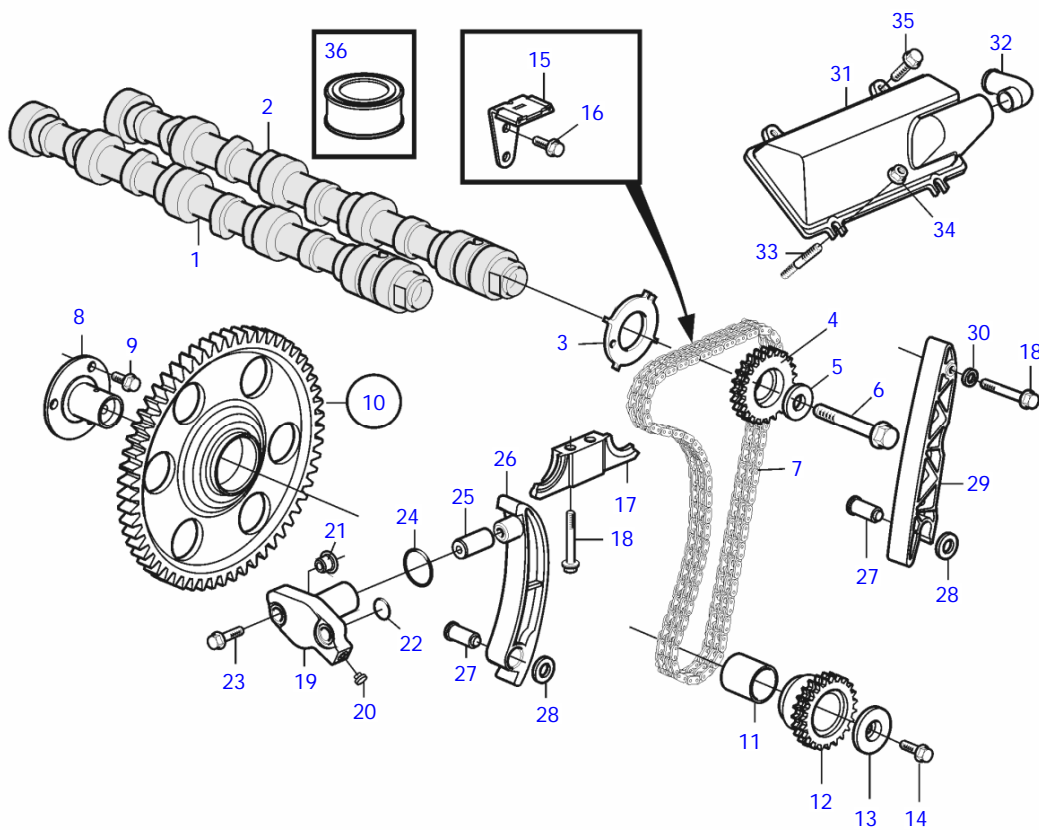
26059

D4-180I-B, D4-180I-C, D4-180I-D, D4-210A-A, D4-210A-B, D4-210I-A, D4-210I-B, D4-225A-B, D4-225A-C, D4-225A-D, D4-225I-B, D4-225I-C, D4-225I-D, D4-260A-A, D4-260A-B, D4-260A-C, D4-260A-D, D4-260D-B, D4-260D-C, D4-260D-D, D4-260I-A, D4-260I-B, D4-260I-C, D4-260I-D, D4-300A-A, D4-300A-C, D4-300A-D, D4-300D-A, D4-300D-C, D4-300D-D, D4-300I-A, D4-300I-C, D4-300I-D, D4-180I-E, D4-225A-E, D4-225I-E, D4-260A-E, D4-260D-E, D4-260I-E, D4-300A-E, D4-300D-E, D4-300I-E

REF	PART NO.	QTY	DESCRIPTION	NOTES
1	(3848925)	1	Cylinder block	Obsolete part
2		5	* Main bearing cap	
3	3581876	10	* Screw	
4	3584214	10	* Guide sleeve	
5	968061	1	* Plug	
6	968063	2	* Plug	
7	979947	2	* Plug	
8	3583447	1	* Expansion plug	
9	24426721	4	* Expansion plug	
10	8131707	9	* Cap plug	
11	3583079	1	* Piston cooling valve	SN-2004026999
12	982121	1	* Plug	SN-2004026999
13	3583079	1	* Piston cooling valve	SN2004027000-
14	982121	1	* Plug	SN2004027000-
15	950562	1	Pin	
16	950566	1	Pin	
17	3843507	1	O-ring	
18	3582847	1	Plate	
19	946173	2	Flange screw	
20	950564	5	Pin	
21	3847475	1	Flywheel housing	SN-2004017198, Replaced by 1pc flywheel housing 40005734 and 1pc tachometer sender kit 21109100.
	40005734	1	Flywheel housing	SN2004017199-
22	3583622	1	Hose connection	
23		1	Lifting eye	
24	966371	1	Flange screw	
25	966368	2	Flange screw	
26	973924	3	Flange screw	
27	966364	5	Flange screw	
28	3582750	1	Cardboard tube	
29	946671	6	Flange screw	
30	888661	X	Adhesive	300ml
31	21109100	1	Sensor kit	SN-2004017198, Replaced by 1pc flywheel housing 40005734 and 1pc tachometer sender kit 21109100.
32	20513343	1	* Sensor	
33	21138237	1	* Wiring harness	



D4-180I-B, D4-180I-C, D4-180I-D, D4-210A-A, D4-210A-B, D4-210I-A, D4-210I-B, D4-225A-B, D4-225A-C, D4-225A-D, D4-225I-B, D4-225I-C, D4-225I-D, D4-260A-A, D4-260A-B, D4-260A-C, D4-260A-D, D4-260D-B, D4-260D-C, D4-260D-D, D4-260I-A, D4-260I-B, D4-260I-C, D4-260I-D, D4-300A-A, D4-300A-C, D4-300A-D, D4-300D-A, D4-300D-C, D4-300D-D, D4-300I-A, D4-300I-C, D4-300I-D, D4-180I-E, D4-225A-E, D4-225I-E, D4-260A-E, D4-260D-E, D4-260I-E, D4-300A-E, D4-300D-E, D4-300I-E

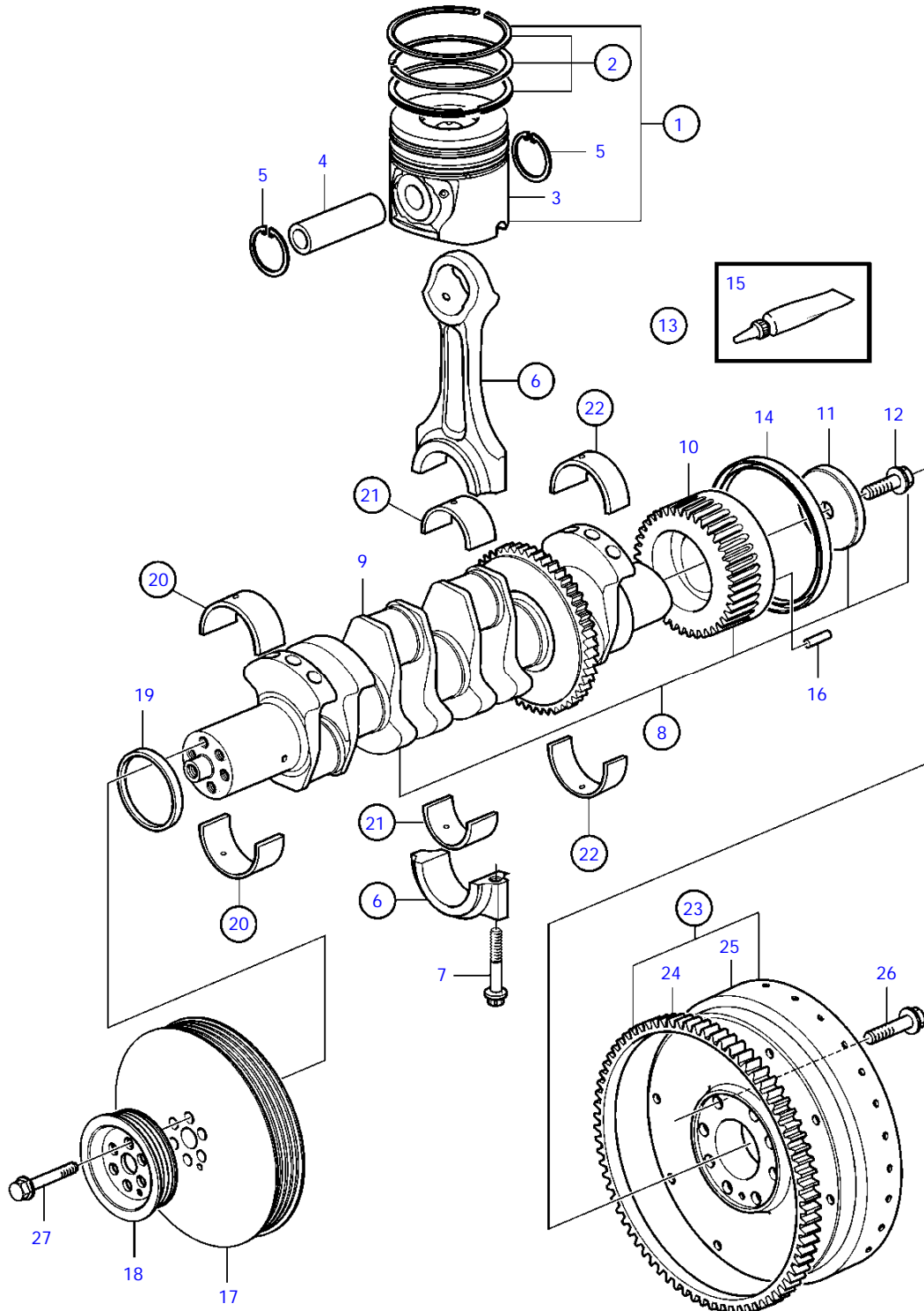


24678

D4-180I-B, D4-180I-C, D4-180I-D, D4-210A-A, D4-210A-B, D4-210I-A, D4-210I-B, D4-225A-B, D4-225A-C, D4-225A-D, D4-225I-B, D4-225I-C, D4-225I-D, D4-260A-A, D4-260A-B, D4-260A-C, D4-260A-D, D4-260D-B, D4-260D-C, D4-260D-D, D4-260I-A, D4-260I-B, D4-260I-C, D4-260I-D, D4-300A-A, D4-300A-C, D4-300A-D, D4-300D-A, D4-300D-C, D4-300D-D, D4-300I-A, D4-300I-C, D4-300I-D, D4-180I-E, D4-225A-E, D4-225I-E, D4-260A-E, D4-260D-E, D4-260I-E, D4-300A-E, D4-300D-E, D4-300I-E

REF	PART NO.	QTY	DESCRIPTION	NOTES
1	3587752	1	Camshaft, intake	
2	3587753	1	Camshaft, exhaust	
3	3582855	1	Gear	
4	3582646	2	Sprocket	
5	3583032	2	Washer	
6	984307	2	Flange screw	
7	3582642	1	Chain	
8	3582651	1	Hub	
9	946173	3	Flange screw	
10	3582647	1	Idler gear	
11		1	* Bushing	
12		1	* Sprocket	
13	3582652	1	Washer	
14	945444	1	Flange screw	
15	3583576	1	Guide	
16	946173	2	Flange screw	
17	3587634	1	Bracket	
18	973924	3	Flange screw	
19	3583144	1	Retainer	
20	968060	1	* Plug	
21	21113522	1	Gasket	
22	976039	1	O-ring	Obsolete part
23	946671	2	Flange screw	
24	975309	1	O-ring	
25	3582643	1	Tensioner	
26	3582644	1	Guide	
27	3583208	2	Screw	
28	3587354	2	Washer	
29	3583874	1	Guide	
30	964106	1	Gasket	
31	3583686	1	Cover	
32	3583959	1	* Elbow nipple	
33	953041	2	Stud	
34	945408	2	Flange nut	
35	946173	2	Flange screw	
36	3588346	X	Lubricant	500G

D4-180I-B, D4-180I-C, D4-180I-D, D4-210A-A, D4-210A-B, D4-210I-A, D4-210I-B, D4-225A-B, D4-225A-C, D4-225A-D, D4-225I-B, D4-225I-C, D4-225I-D, D4-260A-A, D4-260A-B, D4-260A-C, D4-260A-D, D4-260D-B, D4-260D-C, D4-260D-D, D4-260I-A, D4-260I-B, D4-260I-C, D4-260I-D, D4-180I-E, D4-225A-E, D4-225I-E, D4-260A-E, D4-260D-E, D4-260I-E

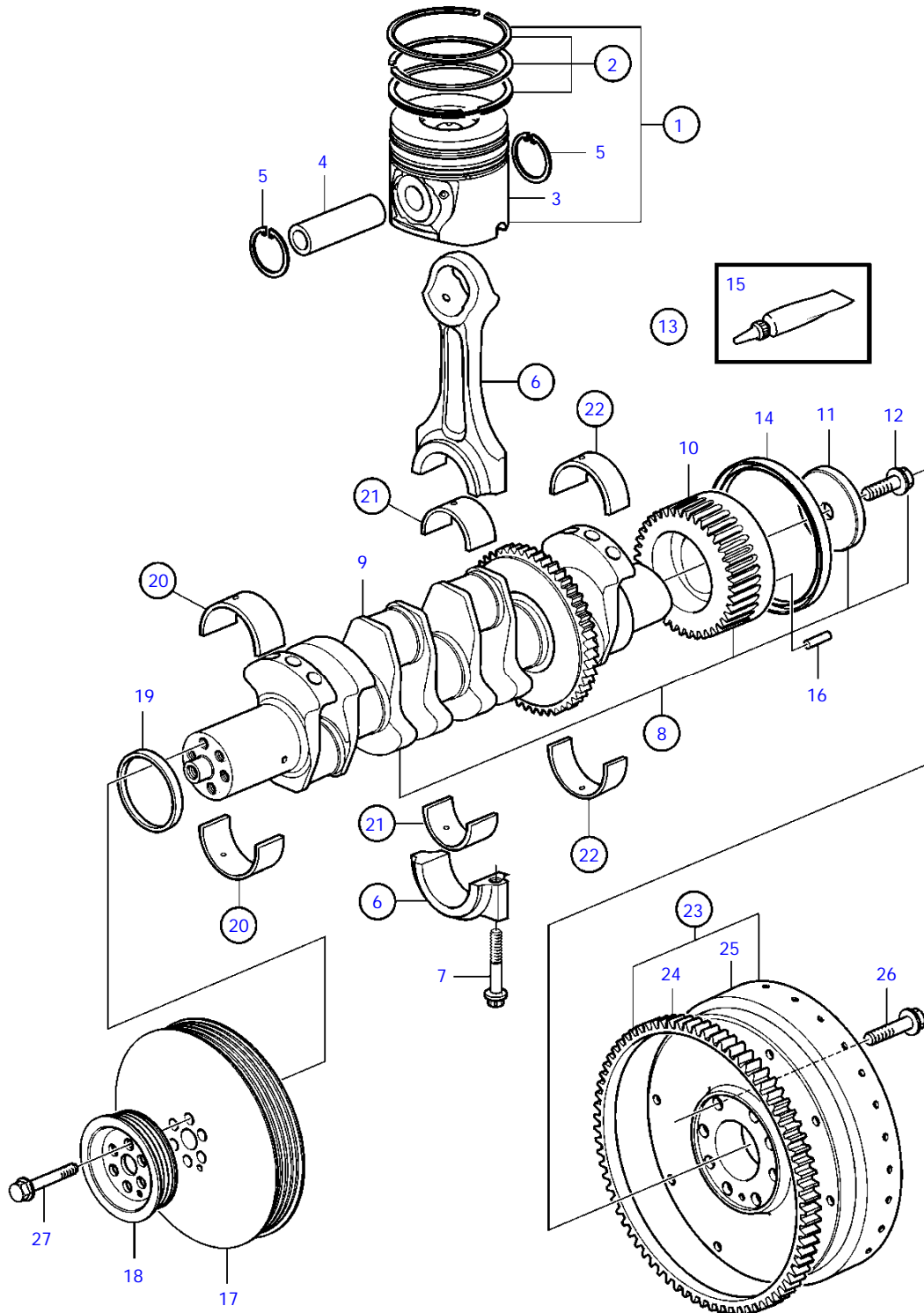


23146

D4-180I-B, D4-180I-C, D4-180I-D, D4-210A-A, D4-210A-B, D4-210I-A, D4-210I-B, D4-225A-B, D4-225A-C, D4-225A-D, D4-225I-B, D4-225I-C, D4-225I-D, D4-260A-A, D4-260A-B, D4-260A-C, D4-260A-D, D4-260D-B, D4-260D-C, D4-260D-D, D4-260I-A, D4-260I-B, D4-260I-C, D4-260I-D, D4-180I-E, D4-225A-E, D4-225I-E, D4-260A-E, D4-260D-E, D4-260I-E

REF	PART NO.	QTY	DESCRIPTION	NOTES
1	3842771	4	Piston kit	Std
2	3586857	1	* Piston ring kit	Std
3		1	* Piston	Std
4	3581912	1	* Piston pin	
5	982437	2	* Snap ring	
6	3842698	4	Connecting rod	
7	3581905	2	* Screw	
8		1	Crankshaft	
9	3818267	1	* Spare parts kit	
10	3583264	1	* Gear	
11	3582741	1	* Washer	
12	465825	1	* Screw	
13	3586960	1	Sealing ring kit	
14		1	* Sealing ring	
15	1161687	1	* Grease	(1161447)
16	950566	1	Pin	
17	3841075	1	Vibration damper	(3582686)
18	3582687	1	Pulley	
19	3582748	1	Sealing ring	
20	3586871	4	Main bearing kit	Std
	3586873	4	Main bearing kit	O.S.=0,25mm
	3586875	4	Main bearing kit	O.S.=0,50mm
	3586876	4	Main bearing kit	O.S.=0,75mm
21	3885323	4	Bearing shell kit	Std, (3586883)
	3586886	4	Bearing shell kit	O.S.=0,25mm
	3586888	4	Bearing shell kit	O.S.=0,50mm
	3586889	4	Bearing shell kit	O.S.=0,75mm
22	3586877	1	Main bearing kit	Std
	3586879	1	Main bearing kit	O.S.=0,25mm
	3586880	1	Main bearing kit	O.S.=0,50mm
	3586881	1	Main bearing kit	O.S.=0,75mm
23	3581913	1	Flywheel	
24	829462	1	* Ring gear	
25		1	* Flywheel	
26	465825	8	Screw	
27	465825	6	Screw	

D4-300A-A, D4-300A-C, D4-300A-D, D4-300D-A, D4-300D-C, D4-300D-D, D4-300I-A, D4-300I-C, D4-300I-D, D4-300A-E, D4-300D-E, D4-300I-E

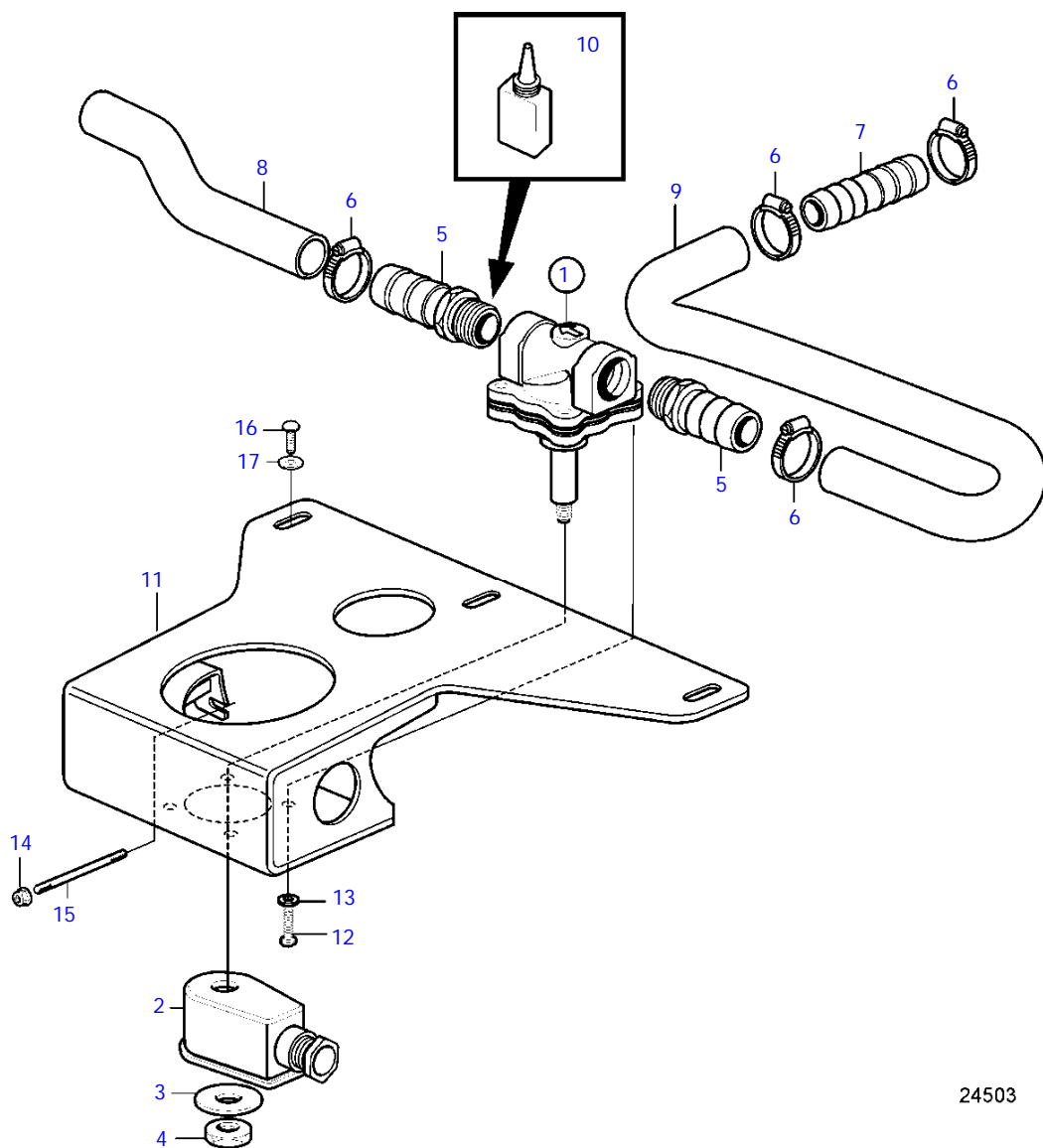


23146

D4-300A-A, D4-300A-C, D4-300A-D, D4-300D-A, D4-300D-C, D4-300D-D, D4-300I-A, D4-300I-C, D4-300I-D, D4-300A-E, D4-300D-E, D4-300I-E

REF	PART NO.	QTY	DESCRIPTION	NOTES
1	3593749	4	Piston kit	Std
2	3586857	1	* Piston ring kit	Std
3		1	* Piston	Std
4	3581912	1	* Piston pin	
5	982437	2	* Snap ring	
6	3842698	4	Connecting rod	
7	3581905	2	* Screw	
8		1	Crankshaft	
9	3818267	1	* Spare parts kit	
10	3583264	1	* Gear	
11	3582741	1	* Washer	
12	465825	1	* Screw	
13	3586960	1	Sealing ring kit	
14		1	* Sealing ring	
15	1161687	1	* Grease	(1161447)
16	950566	1	Pin	
17	3582686	1	Vibration damper	
18	3582687	1	Pulley	
19	3582748	1	Sealing ring	
20	3586871	4	Main bearing kit	Std
	3586873	4	Main bearing kit	O.S.=0,25mm
	3586875	4	Main bearing kit	O.S.=0,50mm
	3586876	4	Main bearing kit	O.S.=0,75mm
21	3885323	4	Bearing shell kit	Std, (3586883)
	3586886	4	Bearing shell kit	O.S.=0,25mm
	3586888	4	Bearing shell kit	O.S.=0,50mm
	3586889	4	Bearing shell kit	O.S.=0,75mm
22	3586877	1	Main bearing kit	Std
	3586879	1	Main bearing kit	O.S.=0,25mm
	3586880	1	Main bearing kit	O.S.=0,50mm
	3586881	1	Main bearing kit	O.S.=0,75mm
23	3581913	1	Flywheel	
24	829462	1	* Ring gear	
25		1	* Flywheel	
26	465825	8	Screw	
27	465825	6	Screw	

D4-180I-B, D4-180I-C, D4-180I-D, D4-210A-A, D4-210A-B, D4-210I-A, D4-210I-B, D4-225A-B, D4-225A-C, D4-225A-D, D4-225I-B, D4-225I-C, D4-225I-D, D4-260A-A, D4-260A-B, D4-260A-C, D4-260A-D, D4-260D-B, D4-260D-C, D4-260D-D, D4-260I-A, D4-260I-B, D4-260I-C, D4-260I-D, D4-180I-E, D4-225A-E, D4-225I-E, D4-260A-E, D4-260D-E, D4-260I-E

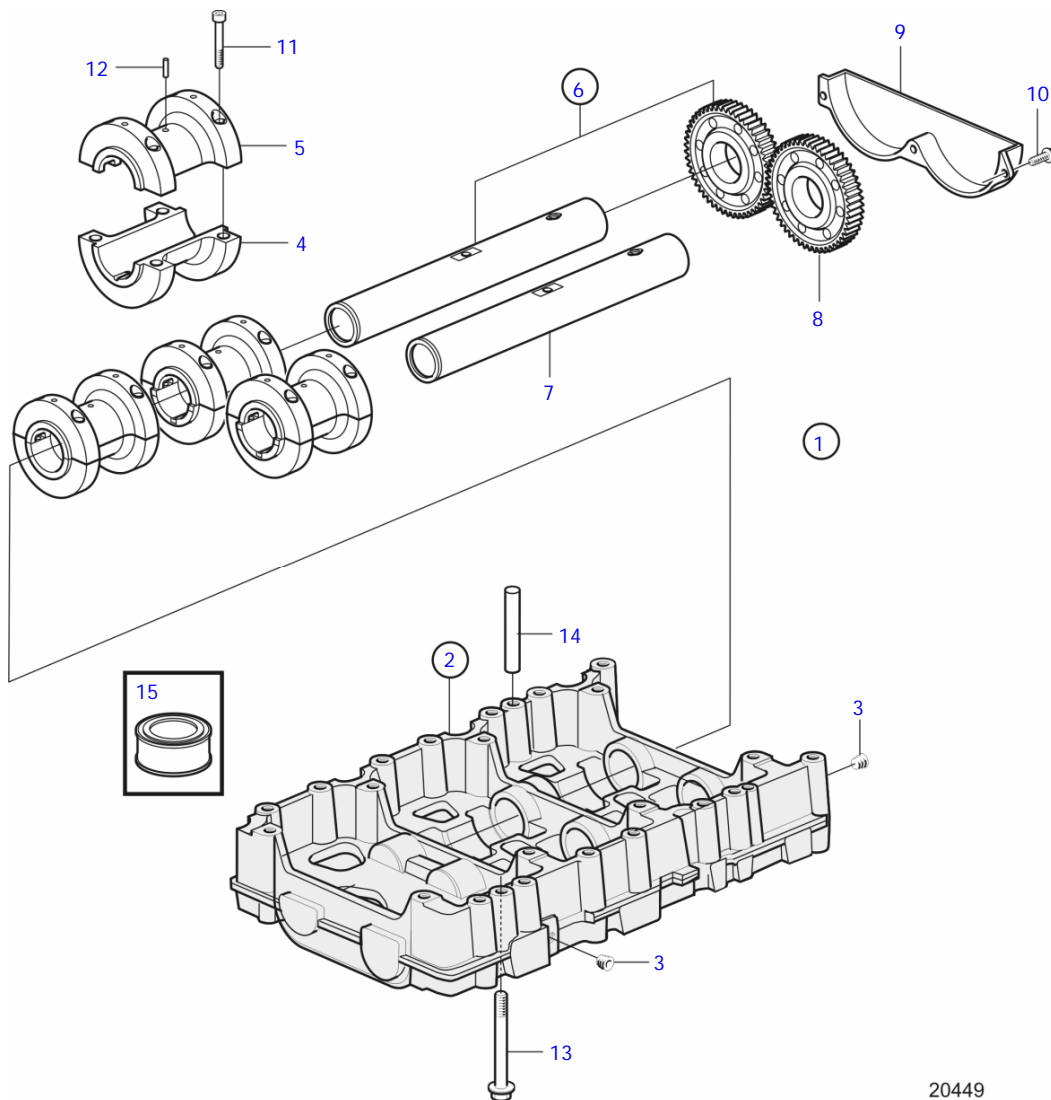


24503

D4-180I-B, D4-180I-C, D4-180I-D, D4-210A-A, D4-210A-B, D4-210I-A, D4-210I-B, D4-225A-B, D4-225A-C, D4-225A-D, D4-225I-B, D4-225I-C, D4-225I-D, D4-260A-A, D4-260A-B, D4-260A-C, D4-260A-D, D4-260D-B, D4-260D-C, D4-260D-D, D4-260I-A, D4-260I-B, D4-260I-C, D4-260I-D, D4-180I-E, D4-225A-E, D4-225I-E, D4-260A-E, D4-260D-E, D4-260I-E

REF	PART NO.	QTY	DESCRIPTION	NOTES
1	3884115	1	Solenoid valve	12V
	21422478	1	Solenoid valve	24V
2		1	* Housing	
3		1	* Washer	
4		1	* Nut	
5	991171	2	Hose nipple	
6	961667	4	Hose clamp	
7	991128	1	Hose nipple	
8	3884904	1	Hose	
9	3884902	1	Hose	
10	1161053	1	Locking fluid	
11	21132527	1	Bracket	(3885310)
12	955514	3	Hexagon screw	
13	976943	3	Washer	
14	945408	2	Flange nut	
15	948194	2	Stud	
16	971321	3	6 point socket screw	M6x16mm
17	976943	3	Washer	

D4-180I-B, D4-180I-C, D4-180I-D, D4-210A-A, D4-210A-B, D4-210I-A, D4-210I-B, D4-225A-B, D4-225A-C, D4-225A-D, D4-225I-B, D4-225I-C, D4-225I-D, D4-260A-A, D4-260A-B, D4-260A-C, D4-260A-D, D4-260D-B, D4-260D-C, D4-260D-D, D4-260I-A, D4-260I-B, D4-260I-C, D4-260I-D, D4-300A-A, D4-300A-C, D4-300A-D, D4-300D-A, D4-300D-C, D4-300D-D, D4-300I-A, D4-300I-C, D4-300I-D, D4-180I-E, D4-225A-E, D4-225I-E, D4-260A-E, D4-260D-E, D4-260I-E, D4-300A-E, D4-300D-E, D4-300I-E

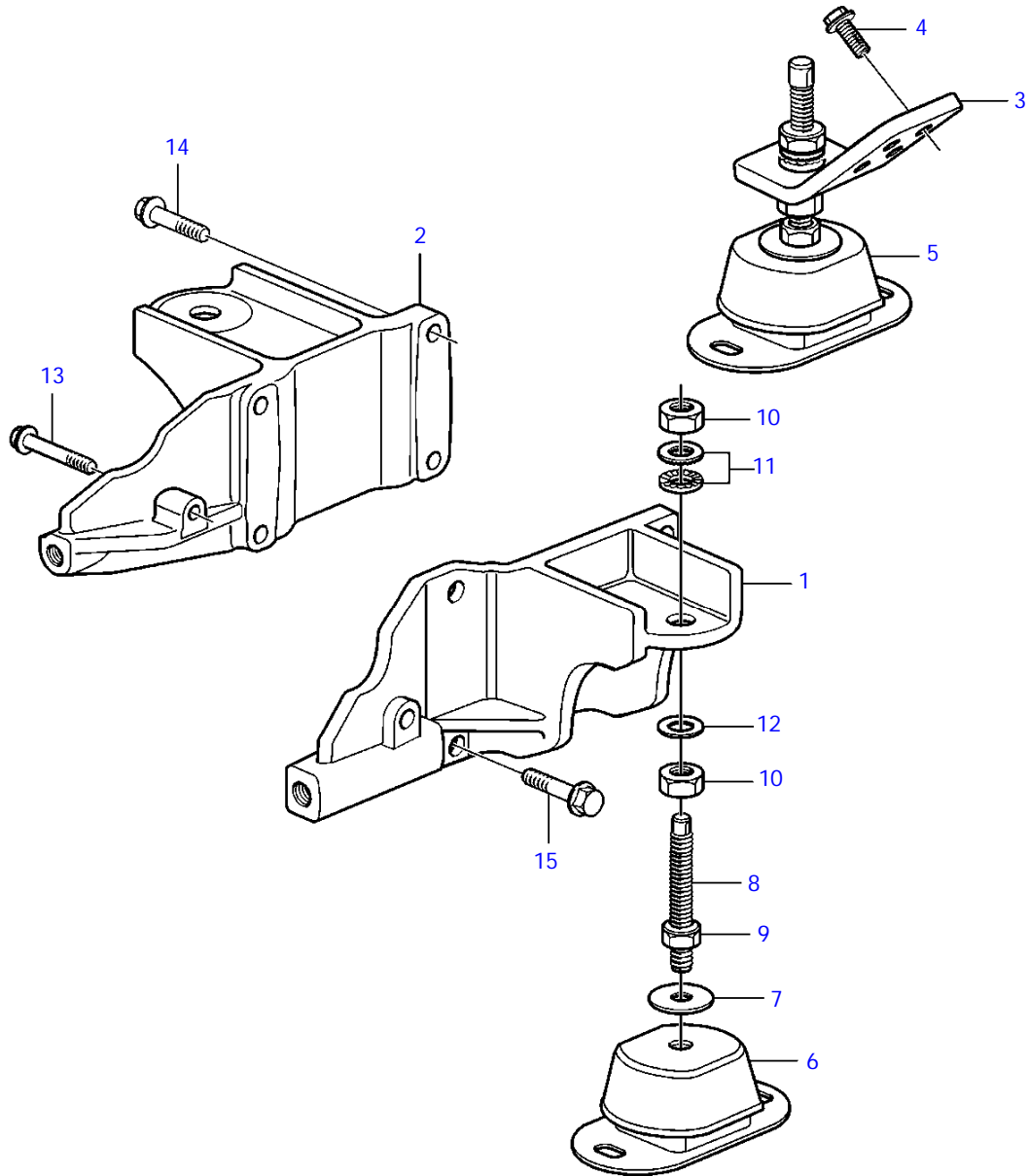


20449

D4-180I-B, D4-180I-C, D4-180I-D, D4-210A-A, D4-210A-B, D4-210I-A, D4-210I-B, D4-225A-B, D4-225A-C, D4-225A-D, D4-225I-B, D4-225I-C, D4-225I-D, D4-260A-A, D4-260A-B, D4-260A-C, D4-260A-D, D4-260D-B, D4-260D-C, D4-260D-D, D4-260I-A, D4-260I-B, D4-260I-C, D4-260I-D, D4-300A-A, D4-300A-C, D4-300A-D, D4-300D-A, D4-300D-C, D4-300D-D, D4-300I-A, D4-300I-C, D4-300I-D, D4-180I-E, D4-225A-E, D4-225I-E, D4-260A-E, D4-260D-E, D4-260I-E, D4-300A-E, D4-300D-E, D4-300I-E

REF	PART NO.	QTY	DESCRIPTION	NOTES
1		1	Housing	
2	3582743	1	* Housing	
3	968060	2	* * Plug	
4	3818297	4	* Counterweight	
5	3818299	4	* Dummy	
6	21511517	2	* Shaft	
7		1	* * Shaft	
8		1	* * Gear	
9	3583812	1	* Cover	
10	967949	3	* Flange screw	L=12mm
11	959213	16	* Hex. socket screw	
12	946402	4	* Grooved pin	
13	965184	22	Flange screw	
14	950564	2	Pin	
15	3588346	X	Lubricant	500G

D4-180I-B, D4-210I-A, D4-210I-B, D4-225I-B, D4-260D-B, D4-260I-A, D4-260I-B

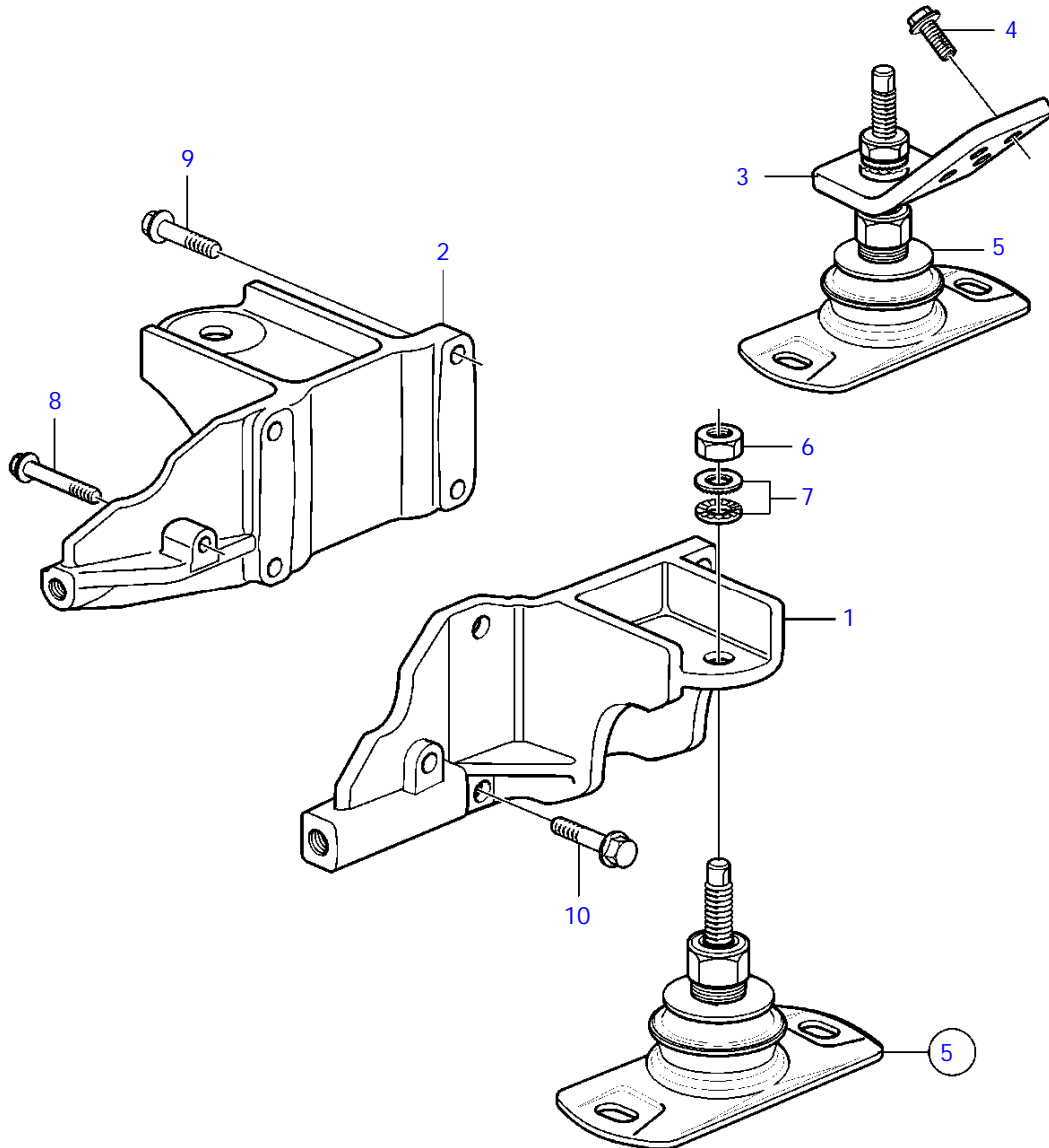


19847

D4-180I-B, D4-210I-A, D4-210I-B, D4-225I-B, D4-260D-B, D4-260I-A, D4-260I-B

REF	PART NO.	QTY	DESCRIPTION	NOTES
1	3583516	1	Engine bracket	
2	3807719	1	Engine bracket	S.B, Front (3583515)
3	3583620	2	Engine bracket	Rear
4	965192	8	Flange screw	L=40mm
5	3583730	2	Rubber cushion, rear	Inboard
	3581614	2	Rubber cushion, rear	V-drive
	3584008	2	Rubber cushion, rear	Jackshaft
6	3584008	2	Rubber cushion, front	Inboard
	3826730	2	Rubber cushion, front	V-drive
	3584009	2	Rubber cushion, front	IPS
	3583730	2	Rubber cushion, front	Jackshaft
7	3584007	4	Washer	
8	3828724	4	Adjusting screw	
9	955794	4	Hexagon nut	
10	955786	8	Hexagon nut	
11	847766	4	Lock washer	
12	120224	4	Washer	
13	965188	1	Flange screw	L=70mm
14	965192	8	Flange screw	L=40mm
15	965186	1	Flange screw	L=50mm

D4-180I-B, D4-210I-A, D4-210I-B, D4-225I-B, D4-260D-B, D4-260I-A, D4-260I-B, D4-300D-A, D4-300I-A

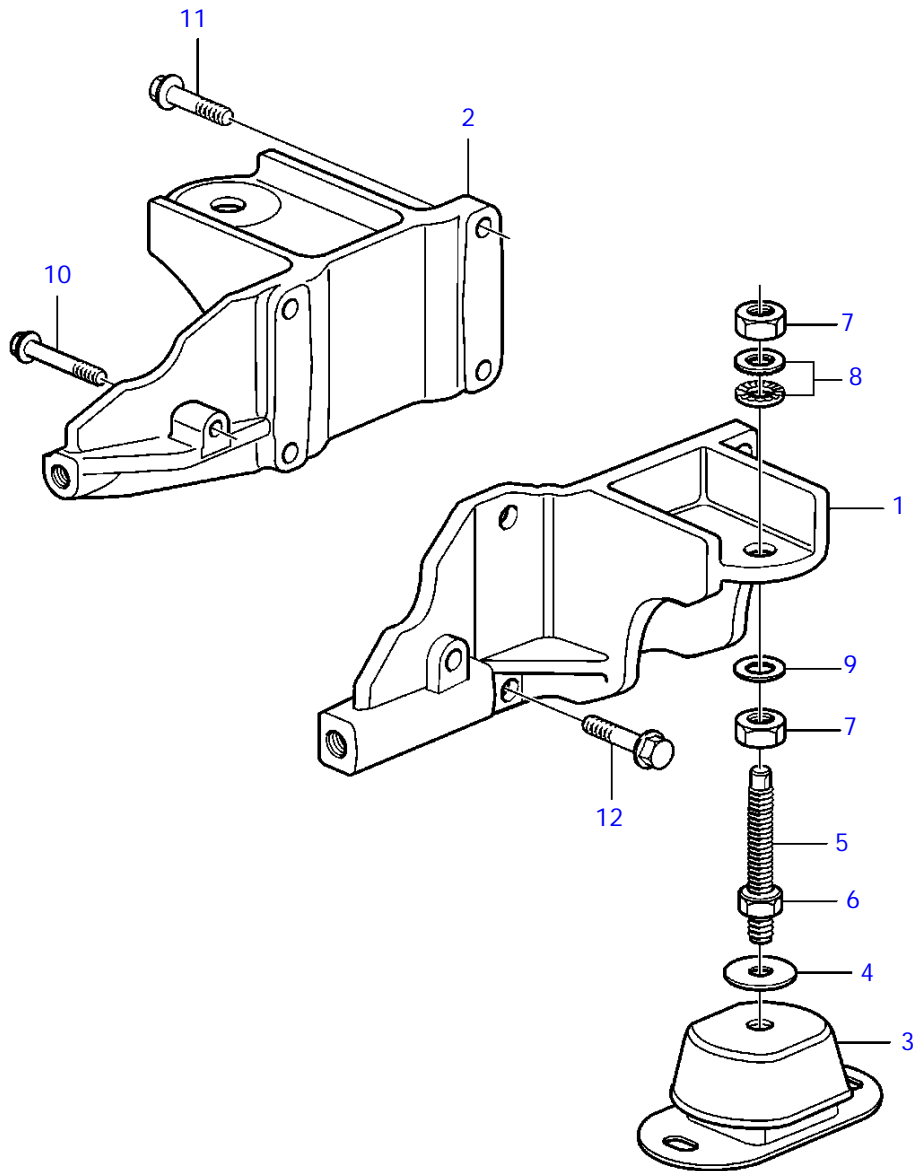


23893

D4-180I-B, D4-210I-A, D4-210I-B, D4-225I-B, D4-260D-B, D4-260I-A, D4-260I-B, D4-300D-A, D4-300I-A

REF	PART NO.	QTY	DESCRIPTION	SEE SEC.	NOTES
1	3583516	1	Engine bracket		
2	3807719	1	Engine bracket		S.B. Front
3	3583620	2	Engine bracket		Rear
4	965192	8	Flange screw		L=40mm
5	3595043	4	Rubber cushion		
			* Bulletin P-21-8-1	P-21-8-1-EN	Comfort Engine Suspension
			* Bulletin P-08-2-2	P-08-2-2-EN	Measuring Gauge for Rubber Mounts
6	955786	1	* Hexagon nut		
7	847766	1	* Lock washer		
8	965188	1	Flange screw		L=70mm
9	965192	8	Flange screw		L=40mm
10	965186	1	Flange screw		L=50mm

D4-210A-A, D4-210A-B, D4-225A-B, D4-260A-A, D4-260A-B, D4-260D-B

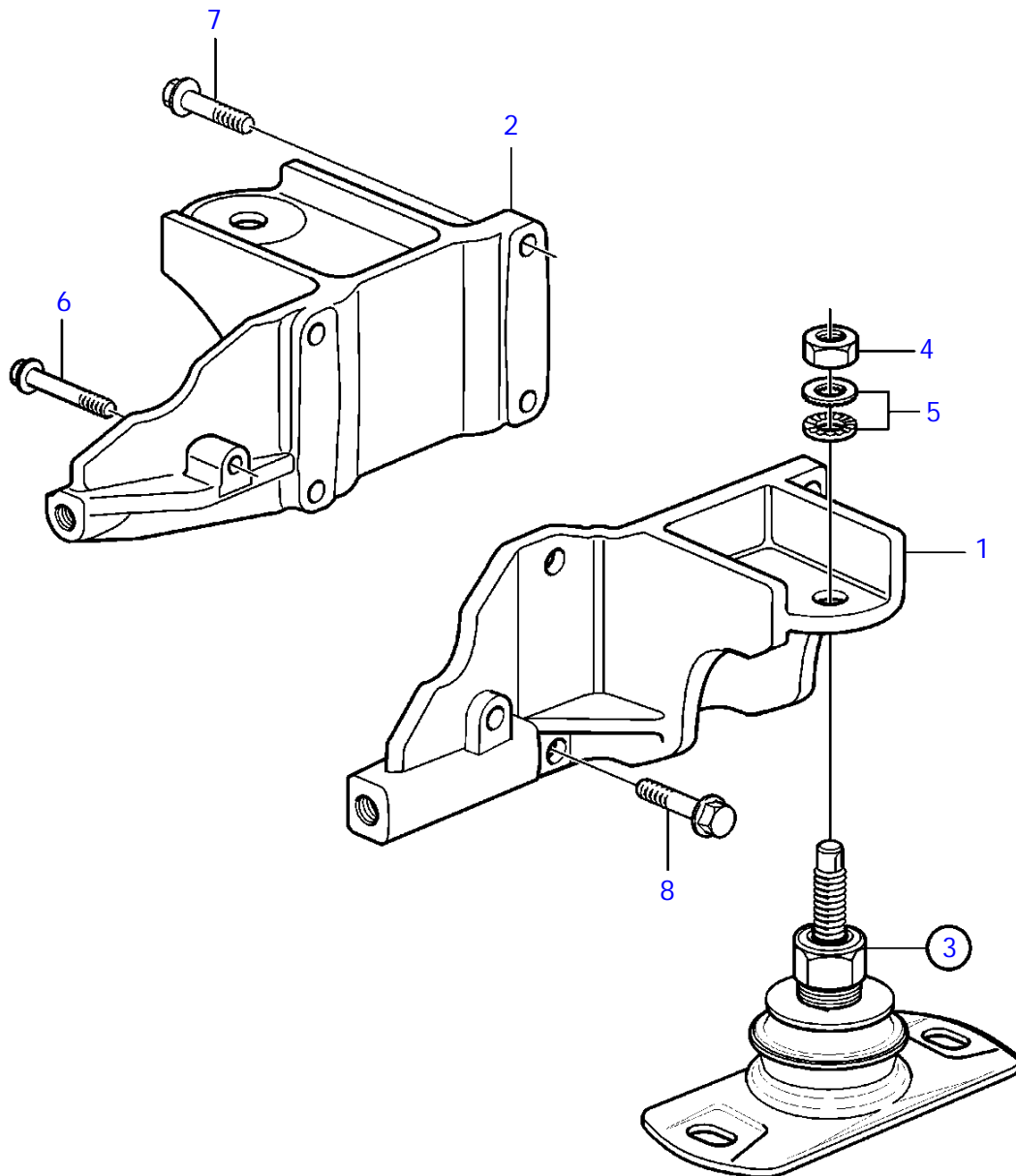


21135

D4-210A-A, D4-210A-B, D4-225A-B, D4-260A-A, D4-260A-B, D4-260D-B

REF	PART NO.	QTY	DESCRIPTION	NOTES
1	3583516	1	Engine bracket	
2	3807719	1	Engine bracket	S.B, Front
3	3586928	2	Rubber cushion, front	
4	3584007	2	Washer	
5	3828724	2	Adjusting screw	
6	955794	2	Hexagon nut	
7	955786	4	Hexagon nut	
8	847766	2	Lock washer	
9	120224	2	Washer	
10	965188	1	Flange screw	L=70mm
11	965183	8	Flange screw	L=90mm
12	965186	1	Flange screw	L=50mm

D4-210A-A, D4-210A-B, D4-225A-B, D4-260A-A, D4-260A-B, D4-260D-B, D4-300A-A, D4-300D-A

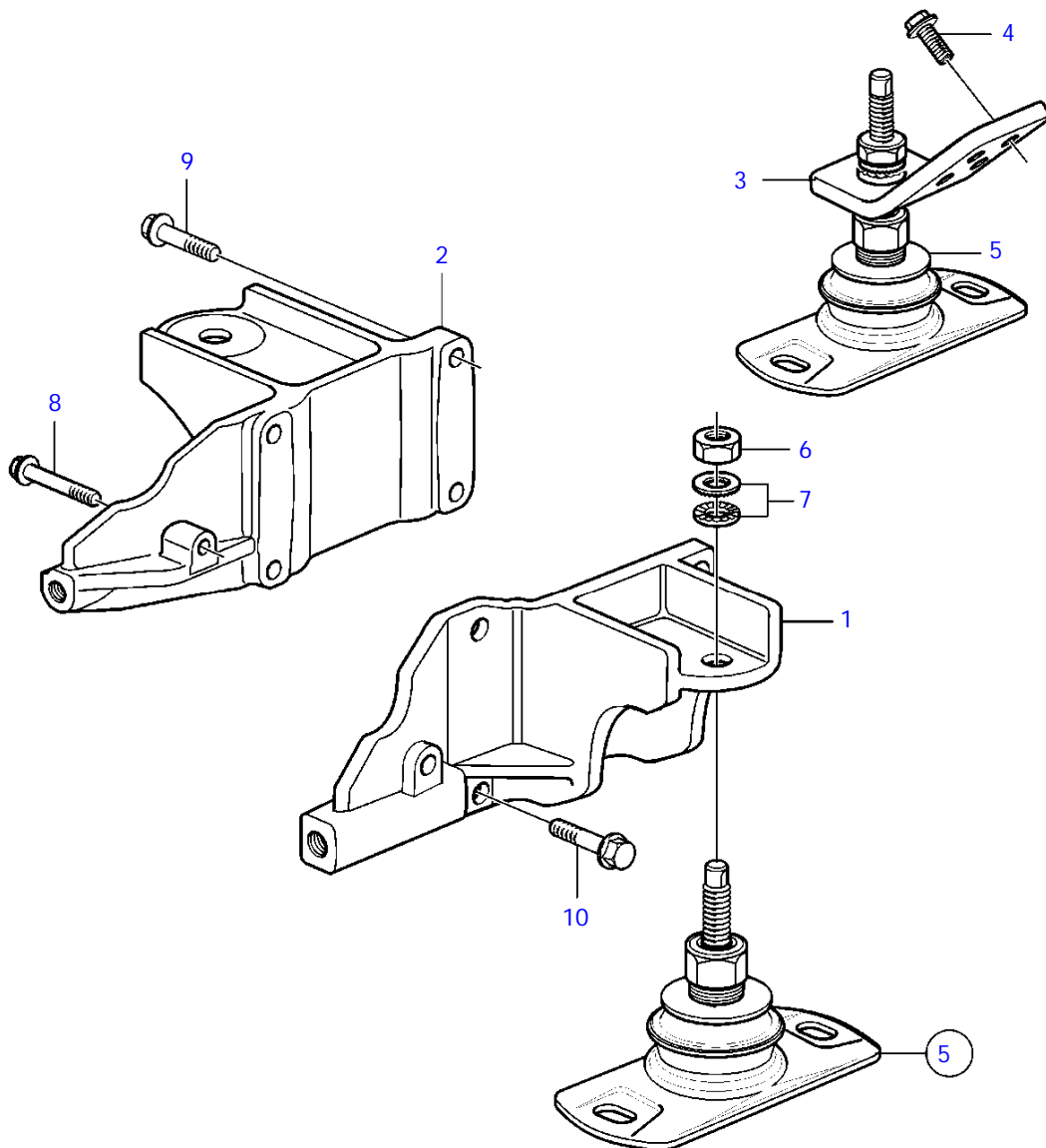


23894

D4-210A-A, D4-210A-B, D4-225A-B, D4-260A-A, D4-260A-B, D4-260D-B, D4-300A-A, D4-300D-A

REF	PART NO.	QTY	DESCRIPTION	SEE SEC.	NOTES
1	3583516	1	Engine bracket		
2	3807719	1	Engine bracket		S.B, Front
3	3595043	2	Rubber cushion		
			• Bulletin P-21-8-1	P-21-8-1-EN	Comfort Engine Suspension
			• Bulletin P-08-2-2	P-08-2-2-EN	Measuring Gauge for Rubber Mounts
4	955786	1	• Hexagon nut		
5	847766	1	• Lock washer		
6	965188	1	Flange screw		L=70mm
7	965183	8	Flange screw		L=90mm
8	965186	1	Flange screw		L=50mm

D4-180I-C, D4-180I-D, D4-225I-C, D4-225I-D, D4-260D-C, D4-260I-C, D4-260I-D, D4-300D-C, D4-300D-D, D4-300I-C,
D4-300I-D, D4-180I-E, D4-225I-E, D4-260I-E, D4-300I-E

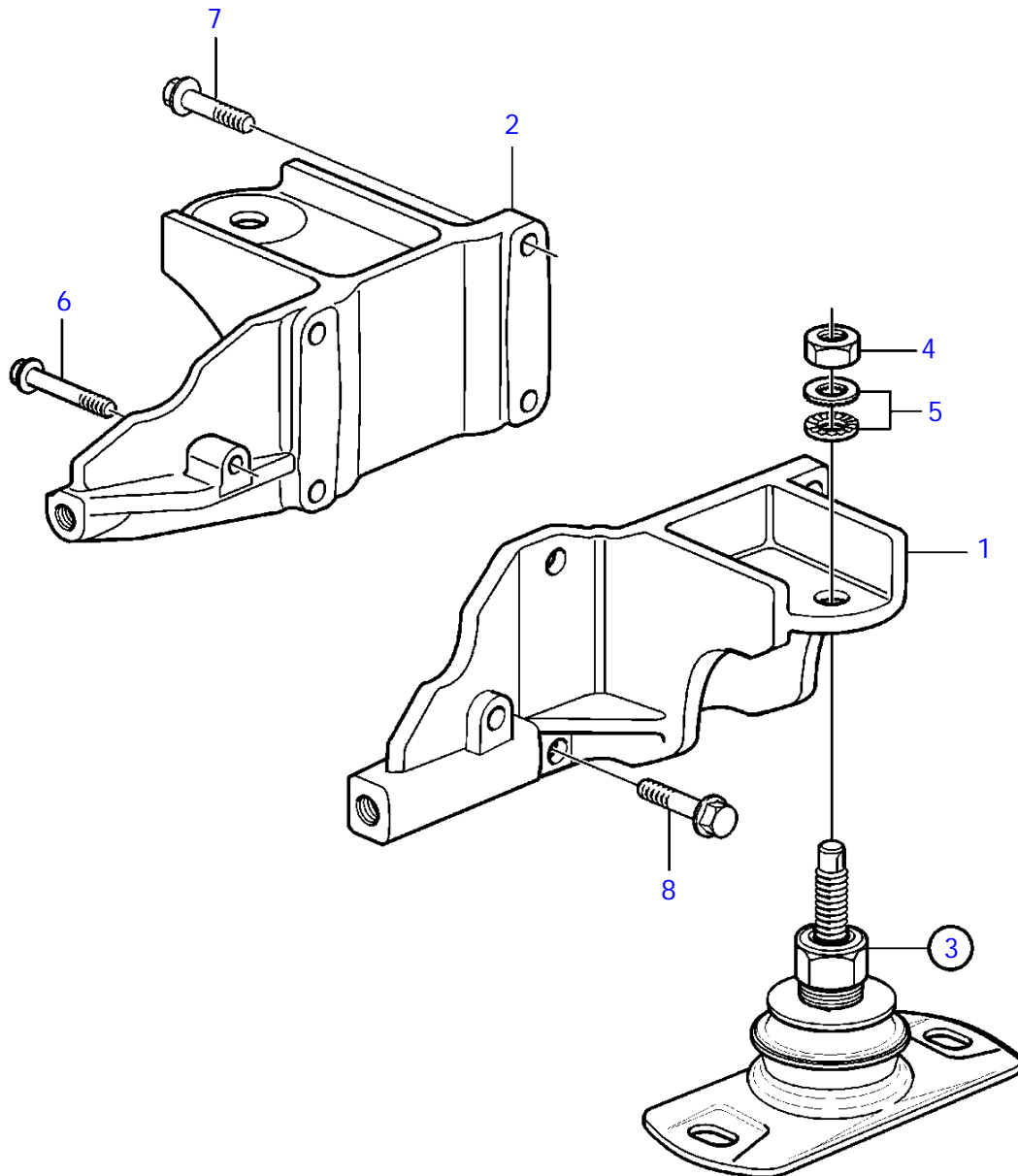


23893

D4-180I-C, D4-180I-D, D4-225I-C, D4-225I-D, D4-260D-C, D4-260I-C, D4-260I-D, D4-300D-C, D4-300D-D, D4-300I-C, D4-300I-D, D4-180I-E, D4-225I-E, D4-260I-E, D4-300I-E

REF	PART NO.	QTY	DESCRIPTION	SEE SEC.	NOTES
1	3583516	1	Engine bracket		
2	3807719	1	Engine bracket		S.B, Front
3	3583620	2	Engine bracket		Rear
4	965192	8	Flange screw		L=40mm
5	3595043	4	Rubber cushion		
			* Bulletin P-21-8-1	P-21-8-1-EN	Comfort Engine Suspension
			* Bulletin P-08-2-2	P-08-2-2-EN	Measuring Gauge for Rubber Mounts
6	955786	1	* Hexagon nut		
7	847766	1	* Lock washer		
8	965188	1	Flange screw		L=70mm
9	965192	8	Flange screw		L=40mm
10	965186	1	Flange screw		L=50mm

D4-225A-C, D4-225A-D, D4-260A-C, D4-260A-D, D4-260D-C, D4-260D-D, D4-300A-C, D4-300A-D, D4-300D-C, D4-300D-D,
D4-225A-E, D4-260A-E, D4-260D-E, D4-300A-E, D4-300D-E

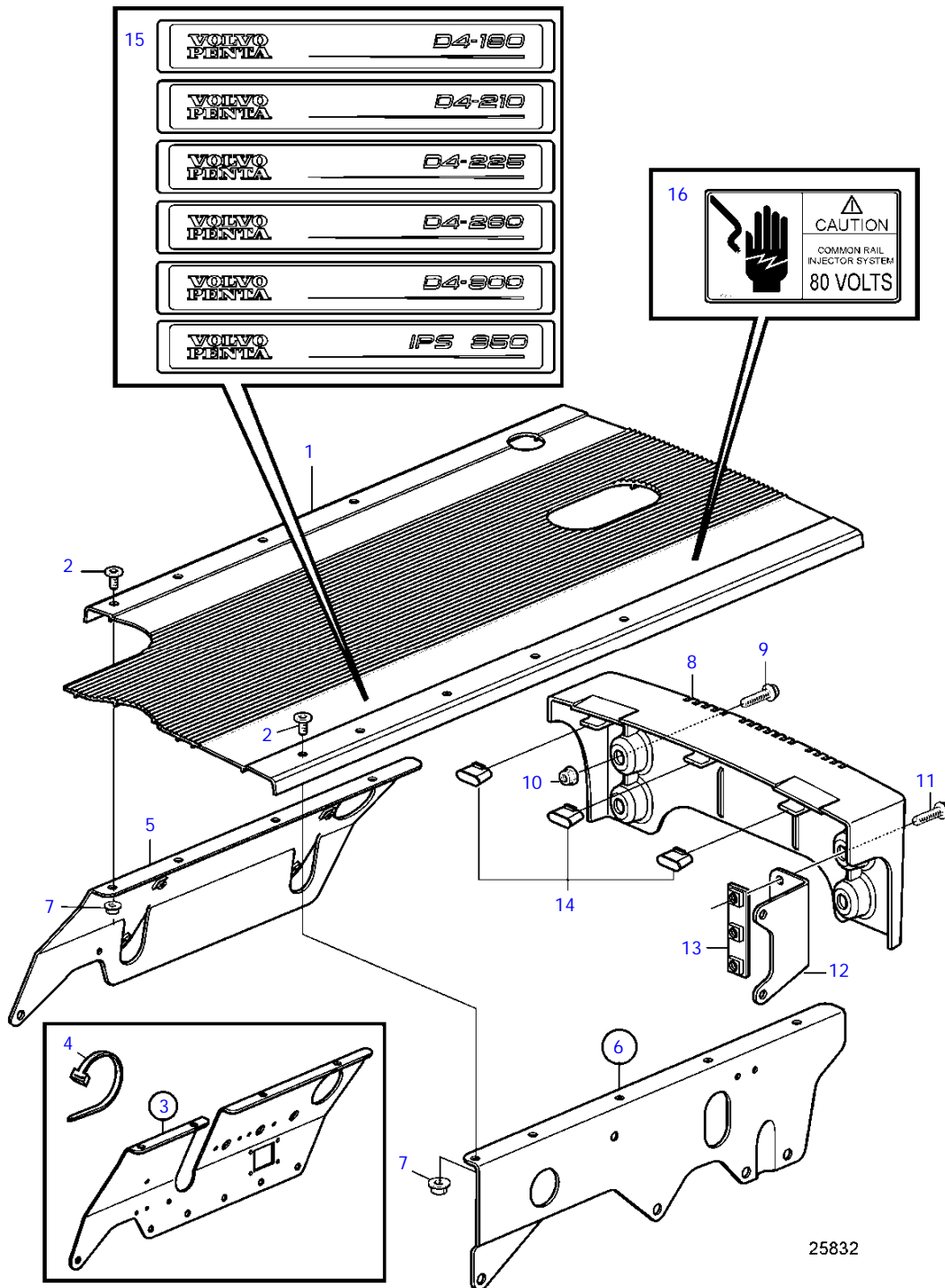


23894

D4-225A-C, D4-225A-D, D4-260A-C, D4-260A-D, D4-260D-C, D4-260D-D, D4-300A-C, D4-300A-D, D4-300D-C, D4-300D-D, D4-225A-E, D4-260A-E, D4-260D-E, D4-300A-E, D4-300D-E

REF	PART NO.	QTY	DESCRIPTION	SEE SEC.	NOTES
1	3583516	1	Engine bracket		
2	3807719	1	Engine bracket		S.B, Front
3	3595043	2	Rubber cushion		
			* Bulletin P-21-8-1	P-21-8-1-EN	Comfort Engine Suspension
			* Bulletin P-08-2-2	P-08-2-2-EN	Measuring Gauge for Rubber Mounts
4	955786	1	* Hexagon nut		
5	847766	1	* Lock washer		
6	965188	1	Flange screw		L=70mm
7	965183	8	Flange screw		L=90mm
8	965186	1	Flange screw		L=50mm

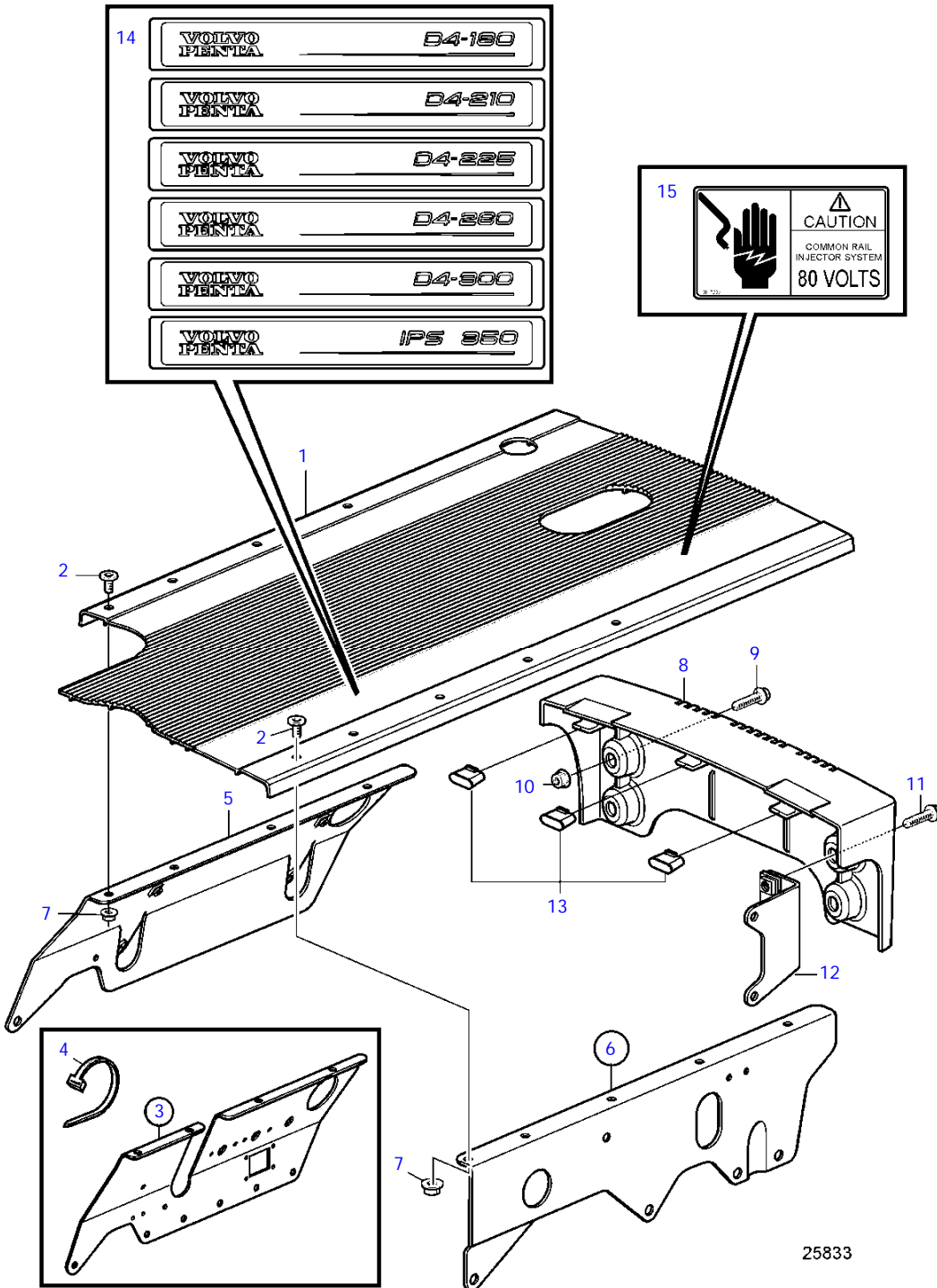
D4-180I-B, D4-210A-A, D4-210A-B, D4-210I-A, D4-210I-B, D4-225A-B, D4-225I-B, D4-260A-A, D4-260A-B, D4-260D-B, D4-260I-A, D4-260I-B, D4-300A-A, D4-300D-A, D4-300I-A



D4-180I-B, D4-210A-A, D4-210A-B, D4-210I-A, D4-210I-B, D4-225A-B, D4-225I-B, D4-260A-A, D4-260A-B, D4-260D-B, D4-260I-A, D4-260I-B, D4-300A-A, D4-300D-A, D4-300I-A

REF	PART NO.	QTY	DESCRIPTION	NOTES
1	889862	1	Protecting cover	
2	971319	9	6 point socket screw	
3	3841270	1	Side support	S.B, SN-2004033780
4	948211	2	* Cable tie	
5	21475793	1	Support	S.B, SN2004033781-
6	3847311	1	Support	P, (3808771)
7		6	* Weld nut	
8	3588528	1	Protecting cover	(3584089)
9	946173	2	Flange screw	
10	945408	2	Flange nut	
11	946671	2	Flange screw	
12	3586068	1	Bracket	
13	(3586070)	1	* Nut retainer	Obsolete part
14	3584091	3	Support	
15	3584215	1	Decal	D4-180
	3584161	1	Decal	D4-210
	3818691	1	Decal	D4-225
	3584216	1	Decal	D4-260
	3885340	1	Decal	D4-300
	3885110	1	Decal	IPS 350
16	3807239	1	Decal	

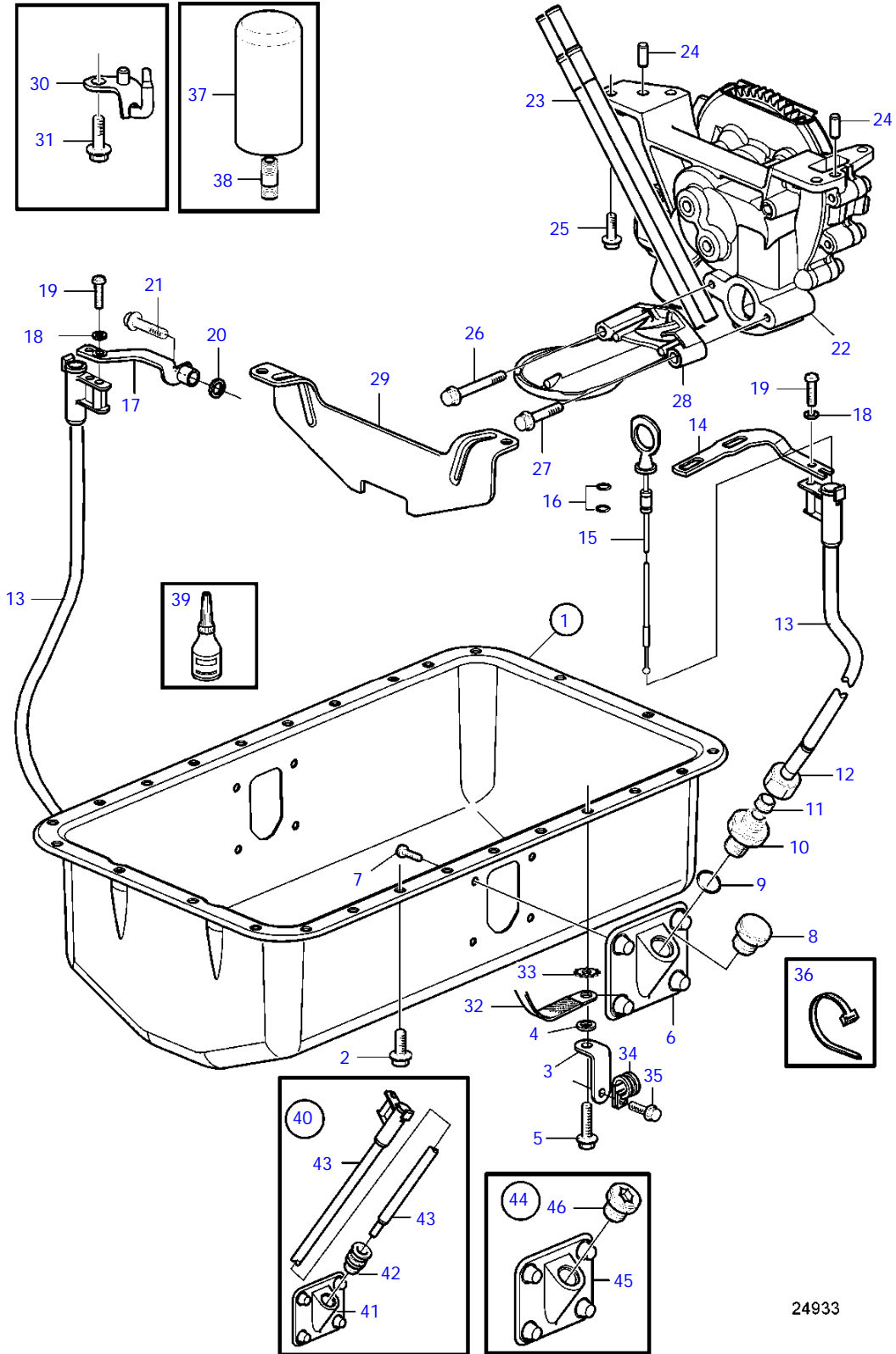
D4-180I-C, D4-180I-D, D4-225A-C, D4-225A-D, D4-225I-C, D4-225I-D, D4-260A-C, D4-260A-D, D4-260D-C, D4-260D-D, D4-260I-C, D4-260I-D, D4-300A-C, D4-300A-D, D4-300D-C, D4-300D-D, D4-300I-C, D4-300I-D, D4-180I-E, D4-225A-E, D4-225I-E, D4-260A-E, D4-260D-E, D4-260I-E, D4-300A-E, D4-300D-E, D4-300I-E



D4-180I-C, D4-180I-D, D4-225A-C, D4-225A-D, D4-225I-C, D4-225I-D, D4-260A-C, D4-260A-D, D4-260D-C, D4-260D-D, D4-260I-C, D4-260I-D, D4-300A-C, D4-300A-D, D4-300D-C, D4-300D-D, D4-300I-C, D4-300I-D, D4-180I-E, D4-225A-E, D4-225I-E, D4-260A-E, D4-260D-E, D4-260I-E, D4-300A-E, D4-300D-E, D4-300I-E

REF	PART NO.	QTY	DESCRIPTION	NOTES
1	889862	1	Protecting cover	
2	971319	9	6 point socket screw	
3	3841270	1	Side support	S.B, SN-2004033780
4	948211	2	* Cable tie	
5	21475793	1	Support	S.B, SN2004033781-
6	3595014	1	Support	P
7		6	* Weld nut	
8	3588528	1	Protecting cover	(3584089)
9	946173	2	Flange screw	
10	945408	2	Flange nut	
11	946671	2	Flange screw	
12	3586068	1	Bracket	
13	3584091	3	Support	
14	3584215	1	Decal	D4-180
	3584161	1	Decal	D4-210
	3818691	1	Decal	D4-225
	3584216	1	Decal	D4-260
	3885340	1	Decal	D4-300
	3885110	1	Decal	IPS 350
	3817345	1	Decal	IPS 400
15	3807239	1	Decal	

D4-180I-B, D4-210A-A, D4-210A-B, D4-210I-A, D4-210I-B, D4-225A-B, D4-225I-B, D4-260A-A, D4-260A-B, D4-260D-B, D4-260I-A, D4-260I-B, D4-300A-A, D4-300D-A, D4-300I-A



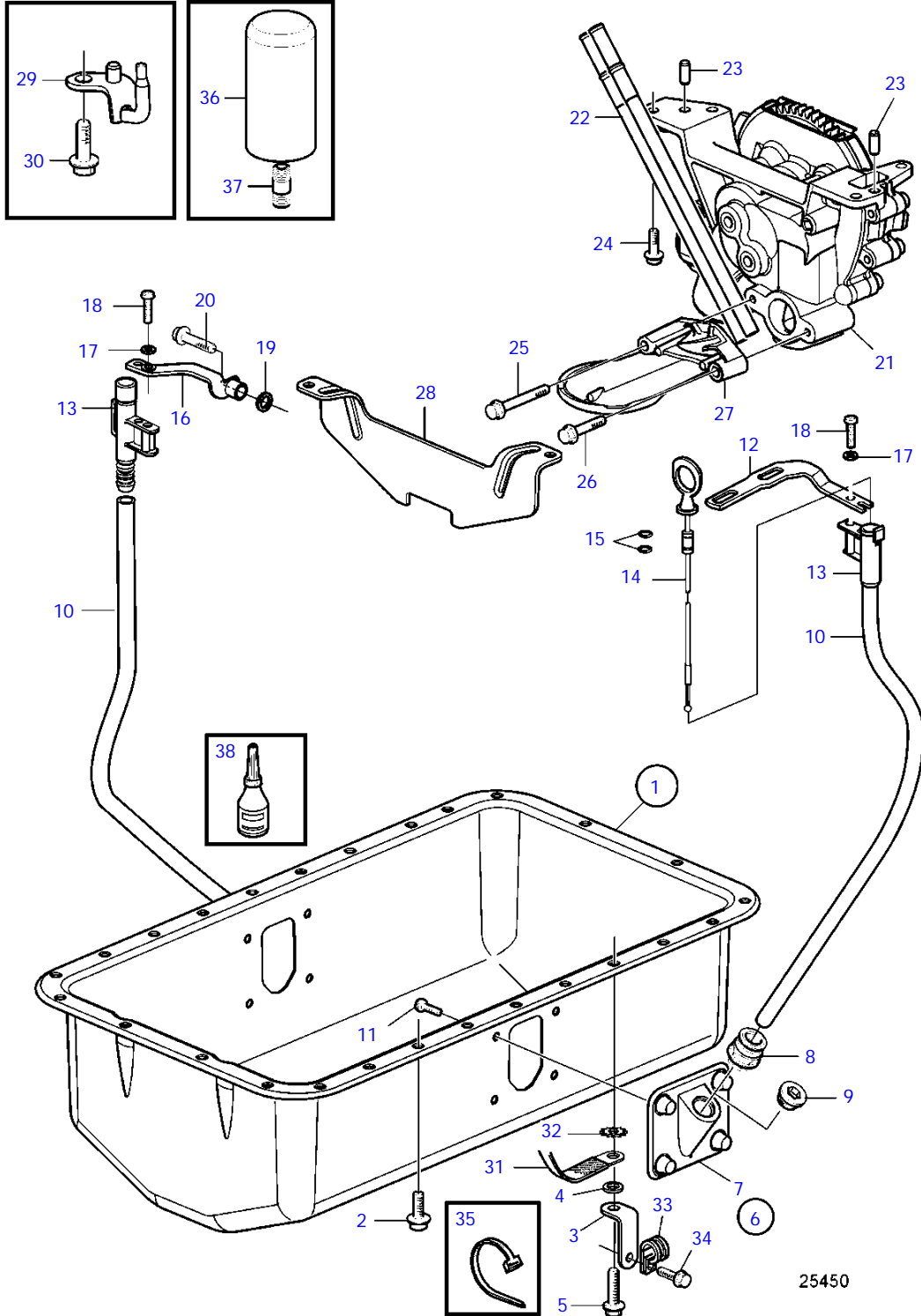
24933



D4-180I-B, D4-210A-A, D4-210A-B, D4-210I-A, D4-210I-B, D4-225A-B, D4-225I-B, D4-260A-A, D4-260A-B, D4-260D-B, D4-260I-A, D4-260I-B, D4-300A-A, D4-300D-A, D4-300I-A

REF	PART NO.	QTY	DESCRIPTION	SEE SEC.	NOTES
1	3582685	1	Sump		
2	946440	21	Flange screw		
3	3584088	5	Angle bracket		
4	941744	5	Washer		
5	946173	4	Flange screw		
6	3583624	2	Pipe retainer		Replaced by 3887580 for dipstick side., Replaced by 3887581 for plugged side.
	3887580	1	Pipe retainer		For dipstick side.
	3887581	1	Pipe retainer		For plugged side.
7	969420	8	6 point socket screw		
8	3819272	1	Plug		
9	925058	2	O-ring		
10		1	Adapler		
11	980782	1	Ferrule		
12	956984	1	Fitting nut		
13	3807990	1	Pipe		
14	21226128	1	Bracket		Alt
15	3589304	1	Oil dipstick		
16	949187	2	* O-ring		
17	3584458	1	Bracket		Alt
18	960138	1	Washer		
19	975378	1	6 point socket screw		
20	191172	1	Washer		
21	947760	1	Flange screw		
22	3582667	1	Oil pump		
		*		6479	
23	3583465	2	Drain pipe		
24	950564	2	Pin		
25	946173	4	Flange screw		
26	965181	1	Flange screw		L=70mm
27	973924	1	Flange screw		L=50mm
28	3583127	1	Oil strainer		
29	3582791	1	Baffle plate		
30	3883144	4	Piston cooling jet		
31	3583804	4	Screw		
32	968048	1	Chassis ground cable		Sump-alternator.
33	942767	1	Toothed washer		
34	961664	1	Hose clamp		
35	945444	1	Flange screw		
36	948211	1	Cable tie		
37	21632901	1	Oil filter	6548	
	3582732	1	Oil filter	6548	
		*	Bulletin P-18-3-4	P-18-3-4-EN	Return of Oil Filter
38	423067	1	Nipple	6548	
	3583695	1	Nipple	6548	
39	888661	X	Adhesive		300ml
40	3887580	1	Pipe retainer		
41	3886957	1	* Pipe retainer		
42	3886951	1	* Nipple		
43	3887559	1	* Pipe		
44	3887581	1	Pipe retainer		
45	3886957	1	* Pipe retainer		
46	3886953	1	* Plug		

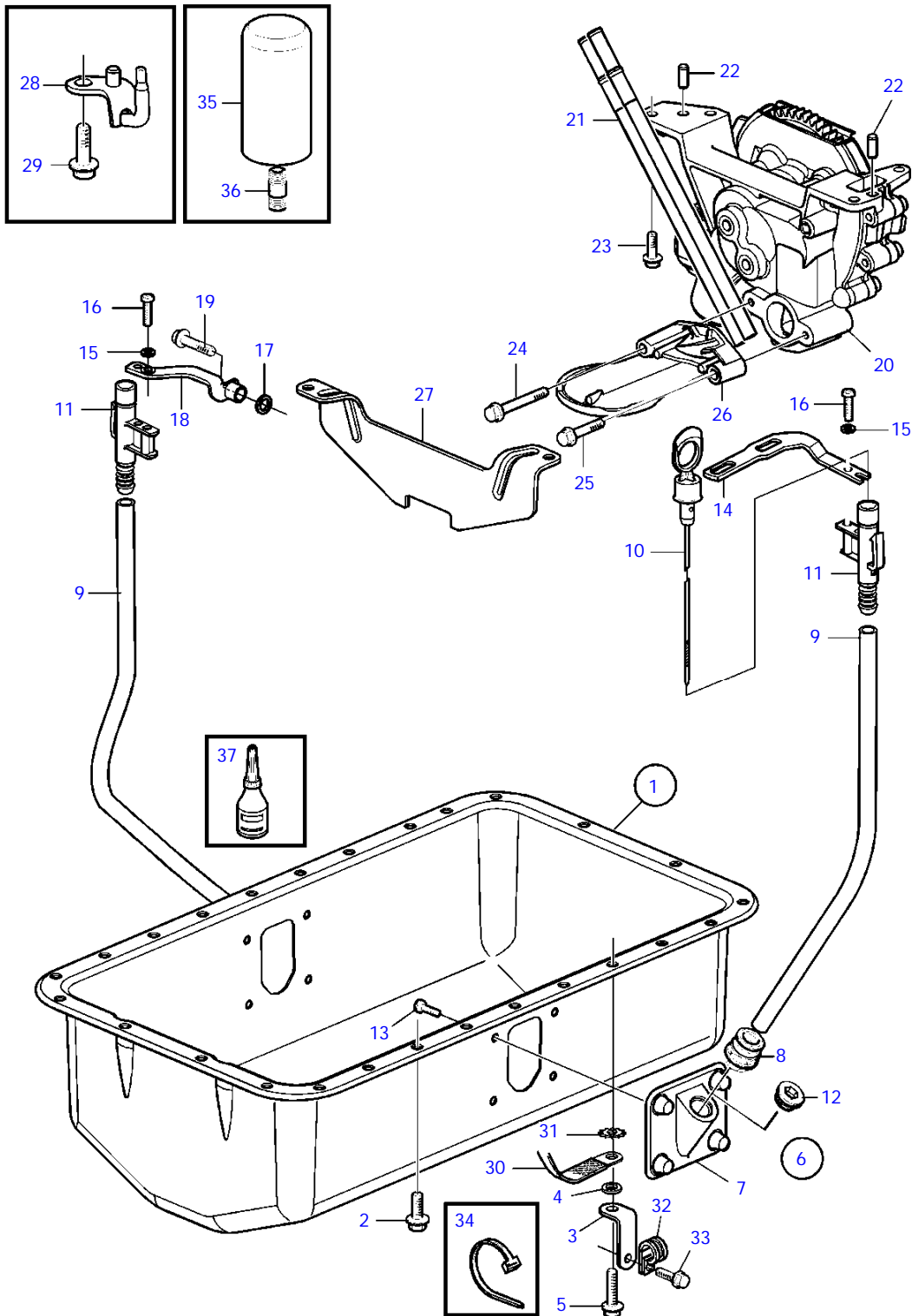
D4-180I-B, D4-210A-A, D4-210A-B, D4-210I-A, D4-210I-B, D4-225A-B, D4-225I-B, D4-260A-A, D4-260A-B, D4-260D-B, D4-260I-A, D4-260I-B, D4-300A-A, D4-300D-A, D4-300I-A



D4-180I-B, D4-210A-A, D4-210A-B, D4-210I-A, D4-210I-B, D4-225A-B, D4-225I-B, D4-260A-A, D4-260A-B, D4-260D-B, D4-260I-A, D4-260I-B, D4-300A-A, D4-300D-A, D4-300I-A

REF	PART NO.	QTY	DESCRIPTION	SEE SEC.	NOTES
1	3582685	1	Sump		
2	946440	21	Flange screw		
3	3584088	5	Angle bracket		
4	941744	5	Washer		
5	946173	4	Flange screw		
6	3887580	1	Pipe retainer		For dipstick side.
7	3886957	1	* Pipe retainer		
8	3886951	1	* Nipple		
9	3886953	1	Plug		
10	3887559	1	Pipe		
11	969420	8	6 point socket screw		
12	21226128	1	Bracket		Alt
13		1	Bracket		
14	3589304	1	Oil dipstick		
15	949187	2	* O-ring		
16	3584458	1	Bracket		Alt
17	960138	1	Washer		
18	975378	1	6 point socket screw		
19	191172	1	Washer		
20	947760	1	Flange screw		
21	3582667	1	Oil pump		
			*	6479	
22	3583465	2	Drain pipe		
23	950564	2	Pin		
24	946173	4	Flange screw		
25	965181	1	Flange screw		L=70mm
26	973924	1	Flange screw		L=50mm
27	3583127	1	Oil strainer		
28	3582791	1	Baffle plate		
29	3883144	4	Piston cooling jet		
30	3583804	4	Screw		
31	968048	1	Chassis ground cable		Sump-alternator.
32	942767	1	Toothed washer		
33	961664	1	Hose clamp		
34	945444	1	Flange screw		
35	948211	1	Cable tie		
36	21632901	1	Oil filter	6548	
	3582732	1	Oil filter	6548	
			* Bulletin P-18-3-4	P-18-3-4-EN	Return of Oil Filter
37	423067	1	Nipple	6548	
	3583695	1	Nipple	6548	
38	888661	X	Adhesive		300ml

D4-180I-B, D4-210A-A, D4-210A-B, D4-210I-A, D4-210I-B, D4-225A-B, D4-225I-B, D4-260A-A, D4-260A-B, D4-260D-B, D4-260I-A, D4-260I-B, D4-300A-A, D4-300D-A, D4-300I-A

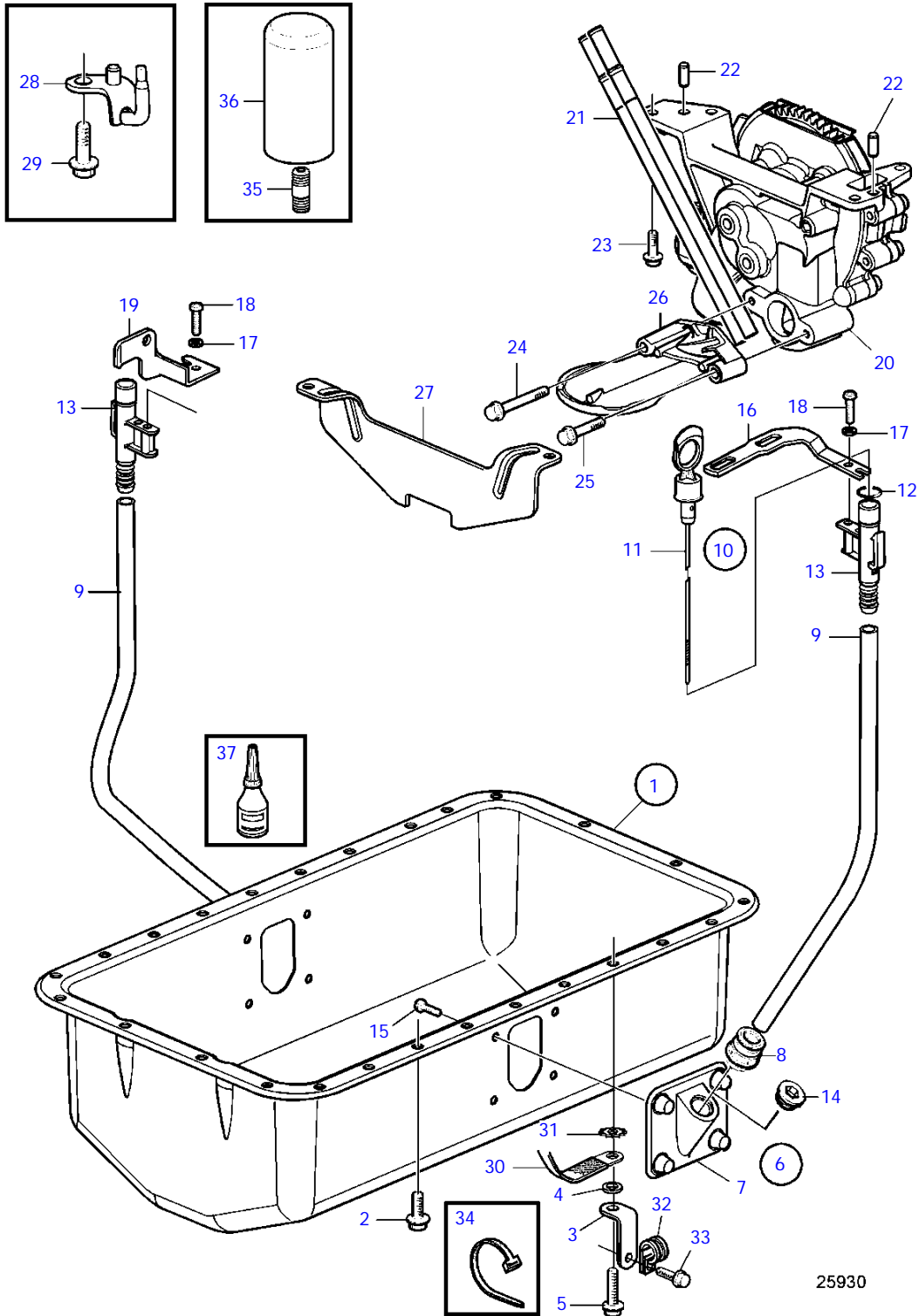


25929

D4-180I-B, D4-210A-A, D4-210A-B, D4-210I-A, D4-210I-B, D4-225A-B, D4-225I-B, D4-260A-A, D4-260A-B, D4-260D-B, D4-260I-A, D4-260I-B, D4-300A-A, D4-300D-A, D4-300I-A

REF	PART NO.	QTY	DESCRIPTION	SEE SEC.	NOTES
1	3582685	1	Sump		
2	946440	21	Flange screw		
3	3584088	5	Angle bracket		
4	941744	5	Washer		
5	946173	4	Flange screw		
6	3887580	1	Pipe retainer		
7	3886957	2	* Pipe retainer		
8	3886951	1	* Nipple		
9	3593955	1	Pipe		
10	21650012	1	Oil dipstick		
11	11129411	1	Anchorage		
12	3886953	1	Plug		
13	969420	8	6 point socket screw		
14	21226128	1	Bracket		
15	960138	1	Washer		
16	975378	1	6 point socket screw		
17	191172	1	Washer		
18	3584458	1	Bracket		
19	947760	1	Flange screw		
20	3582667	1	Oil pump		
			*	6479	
21	3583465	2	Drain pipe		
22	950564	2	Pin		
23	946173	4	Flange screw		
24	965181	1	Flange screw		L=70mm
25	973924	1	Flange screw		L=50mm
26	3583127	1	Oil strainer		
27	3582791	1	Baffle plate		
28	3883144	4	Piston cooling jet		
29	3583804	4	Screw		
30	968048	1	Chassis ground cable		Sump-alternator.
31	942767	1	Toothed washer		
32	961664	1	Hose clamp		
33	945444	1	Flange screw		
34	948211	1	Cable tie		
35	21632901	1	Oil filter	6548	
	3582732	1	Oil filter	6548	
			* Bulletin P-18-3-4	P-18-3-4-EN	Return of Oil Filter
36	423067	1	Nipple	6548	
	3583695	1	Nipple	6548	
37	888661	X	Adhesive		300ml

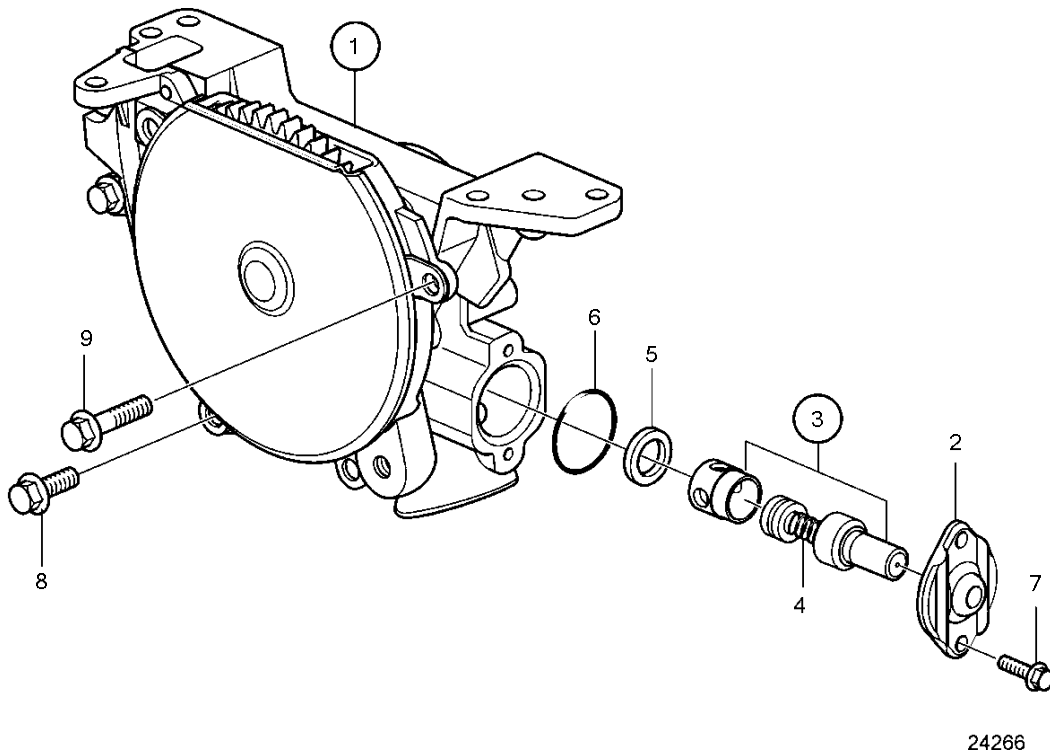
D4-180I-C, D4-180I-D, D4-225A-C, D4-225A-D, D4-225I-C, D4-225I-D, D4-260A-C, D4-260A-D, D4-260D-C, D4-260D-D, D4-260I-C, D4-260I-D, D4-300A-C, D4-300A-D, D4-300D-C, D4-300D-D, D4-300I-C, D4-300I-D, D4-180I-E, D4-225A-E, D4-225I-E, D4-260A-E, D4-260D-E, D4-260I-E, D4-300A-E, D4-300D-E, D4-300I-E



D4-180I-C, D4-180I-D, D4-225A-C, D4-225A-D, D4-225I-C, D4-225I-D, D4-260A-C, D4-260A-D, D4-260D-C, D4-260D-D, D4-260I-C, D4-260I-D, D4-300A-C, D4-300A-D, D4-300D-C, D4-300D-D, D4-300I-C, D4-300I-D, D4-180I-E, D4-225A-E, D4-225I-E, D4-260A-E, D4-260D-E, D4-260I-E, D4-300A-E, D4-300D-E, D4-300I-E

REF	PART NO.	QTY	DESCRIPTION	SEE SEC.	NOTES
1	3582685	1	Sump		
2	946440	25	Flange screw		
3	3584088	1	Angle bracket		
4	941744	1	Washer		
5	946173	1	Flange screw		
6	3887580	1	Pipe retainer		
7	3886957	2	* Pipe retainer		
8	3886951	1	* Nipple		
9	3593955	1	Pipe		
10	3594848	1	Kit		
11	21650012	1	* Oil dipstick		
12	944124	1	* O-ring		
13	11129411	1	* Anchorage		
14	3886953	1	Plug		
15	969420	8	6 point socket screw		
16	21226128	1	Bracket		
17	960138	1	Washer		
18	975378	1	6 point socket screw		
19	21266292	1	Bracket		
20	3582667	1	Oil pump		
			*	6479	
21	3583465	2	Drain pipe		
22	950564	2	Pin		
23	946173	4	Flange screw		
24	965181	1	Flange screw		L=70mm
25	973924	1	Flange screw		L=50mm
26	3583127	1	Oil strainer		
27	3595241	1	Baffle plate		
28	3883144	4	Piston cooling jet		
29	3583804	4	Screw		
30	968048	1	Chassis ground cable		Sump-alternator.
31	942767	1	Toothed washer		
32	952629	1	Clamp		
33	946501	1	Flange screw		
34	948211	1	Cable tie		
35	423067	1	Nipple	6548	
	3583695	1	Nipple	6548	
36	3582732	1	Oil filter	6548	
			* Bulletin P-18-3-4	P-18-3-4-EN	Return of Oil Filter
36	21632901	1	Oil filter	6548	
37	888661	X	Adhesive		300ml

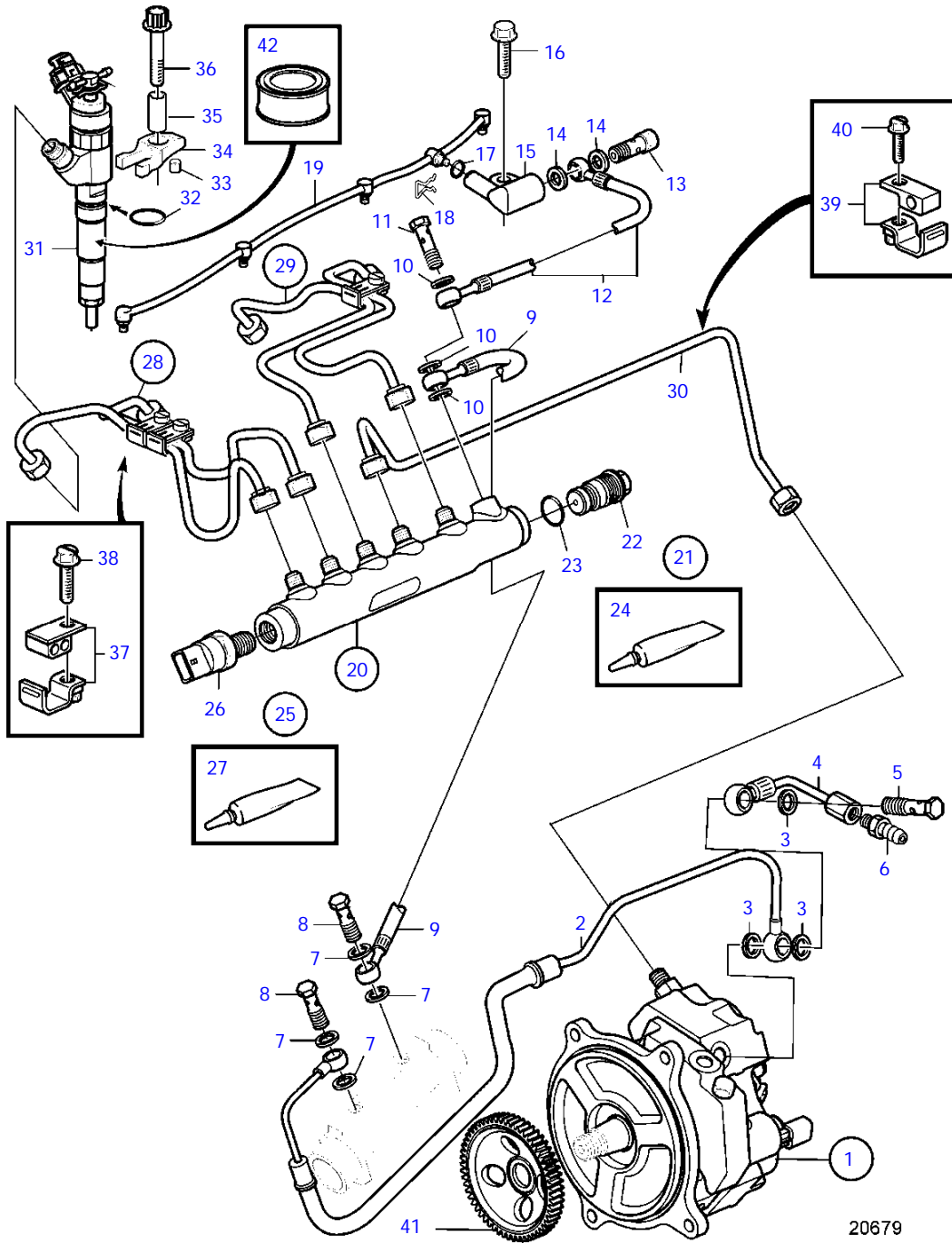
D4-180I-B, D4-180I-C, D4-180I-D, D4-210A-A, D4-210A-B, D4-210I-A, D4-210I-B, D4-225A-B, D4-225A-C, D4-225A-D, D4-225I-B, D4-225I-C, D4-225I-D, D4-260A-A, D4-260A-B, D4-260A-C, D4-260A-D, D4-260D-B, D4-260D-C, D4-260D-D, D4-260I-A, D4-260I-B, D4-260I-C, D4-260I-D, D4-300A-A, D4-300A-C, D4-300A-D, D4-300D-A, D4-300D-C, D4-300D-D, D4-300I-A, D4-300I-C, D4-300I-D, D4-180I-E, D4-225A-E, D4-225I-E, D4-260A-E, D4-260D-E, D4-260I-E, D4-300A-E, D4-300D-E, D4-300I-E



D4-180I-B, D4-180I-C, D4-180I-D, D4-210A-A, D4-210A-B, D4-210I-A, D4-210I-B, D4-225A-B, D4-225A-C, D4-225A-D, D4-225I-B, D4-225I-C, D4-225I-D, D4-260A-A, D4-260A-B, D4-260A-C, D4-260A-D, D4-260D-B, D4-260D-C, D4-260D-D, D4-260I-A, D4-260I-B, D4-260I-C, D4-260I-D, D4-300A-A, D4-300A-C, D4-300A-D, D4-300D-A, D4-300D-C, D4-300D-D, D4-300I-A, D4-300I-C, D4-300I-D, D4-180I-E, D4-225A-E, D4-225I-E, D4-260A-E, D4-260D-E, D4-260I-E, D4-300A-E, D4-300D-E, D4-300I-E

REF	PART NO.	QTY	DESCRIPTION	NOTES
1	3582667	1	Oil pump	
2	471648	1	* Cover	
3	3826265	1	* Reduction valve	
4	3826266	1	* * Spring	
5	469846	1	* Sealing ring	
6	949659	1	* O-ring	
7	946544	2	* Flange screw	L=16mm
8	946470	2	* Flange screw	L=35mm
9	967949	2	* Flange screw	L=12mm

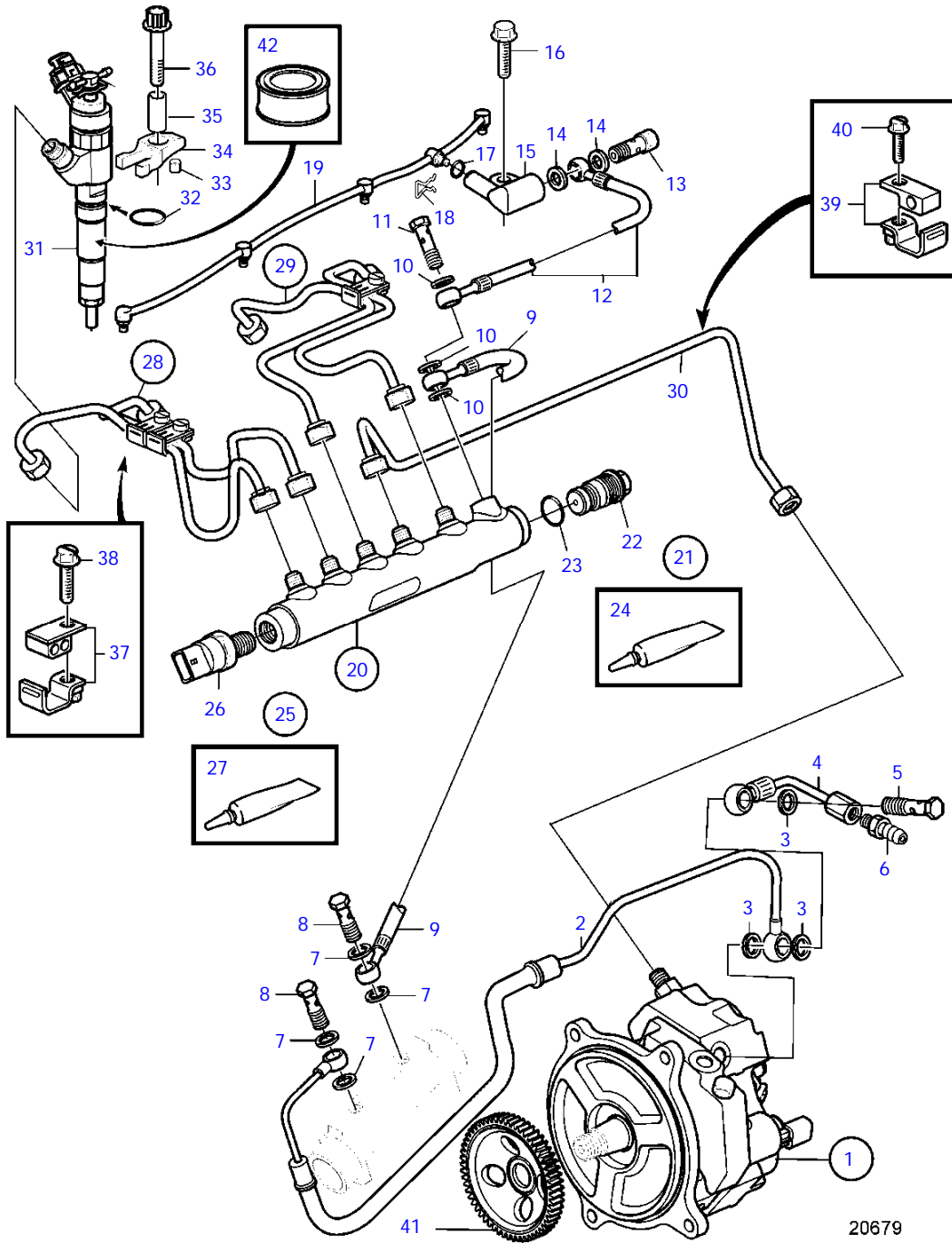
D4-180I-B, D4-210A-A, D4-210A-B, D4-210I-A, D4-210I-B, D4-225A-B, D4-225I-B, D4-260A-A, D4-260A-B, D4-260D-B, D4-260I-A, D4-260I-B



D4-180I-B, D4-210A-A, D4-210A-B, D4-210I-A, D4-210I-B, D4-225A-B, D4-225I-B, D4-260A-A, D4-260A-B, D4-260D-B, D4-260I-A, D4-260I-B

REF	PART NO.	QTY	DESCRIPTION	SEE SEC.	NOTES
1	3803633	1	High-pressure pump, •	6600	
2	3582997	1	Fuel hose		
3	11994	3	Gasket		
4	3584199	1	Return connection		
5	947975	1	Hollow screw		
6	3825000	1	Hose nipple		
7	20852763	4	Sealing ring		
8	969299	2	Hollow screw		
9	3584367	1	Fuel hose		
10	11994	3	Gasket		
11	947975	1	Hollow screw		
12	3584366	1	Fuel hose		
13	3584427	1	Pressure retaining v		
14	969011	2	Gasket		
15	3583123	1	Valve housing		
16	946173	1	Flange screw		
17	3589700	5	O-ring		
18	3583122	1	Lock spring		
19	3582802	1	Leak-off line		
20	3584370	1	Rail		SN-2004002079
	3588739	1	Rail		SN2004002080-
	3886062	1	Rail		SN2004008447-
					(3807013)
21	3884353	1	• Pressure limiting va		
22	3884350	1	• • Pressure limiting va		
23	3588336	1	• • • O-ring		
24	828250	1	• • Lubricating grease • Bulletin P-18-4-6	P-18-4-6-EN	Water resistant grease for grease gun (3587927)
25	3884352	1	• Pressure sensor		
26		1	• • Pressure sensor		
27	828250	1	• • Lubricating grease • Bulletin P-18-4-6	P-18-4-6-EN	Water resistant grease for grease gun
28	3588024	1	Delivery pipe kit		
29	3588025	1	Delivery pipe kit		
30	3582796	1	Delivery pipe		
31	3801294	4	Injector		SN-2004002079
	3801295	4	Injector		SN2004002080-
32	3887602	4	O-ring		
33	3583442	4	Support		
34	3582669	4	Clamp		
35	889789	4	Sleeve		
36	3586690	4	Screw		
37	3586006	3	Clamp		
38	3586005	3	Screw		
39	3588018	2	Clamp		
40	946544	2	Flange screw		
41	889749	1	Gear		
42	3588346	X	Lubricant		500G

D4-180I-C, D4-180I-D, D4-225A-C, D4-225A-D, D4-225I-C, D4-225I-D, D4-260A-C, D4-260A-D, D4-260D-C, D4-260D-D, D4-260I-C, D4-260I-D, D4-180I-E, D4-225A-E, D4-225I-E, D4-260A-E, D4-260D-E, D4-260I-E

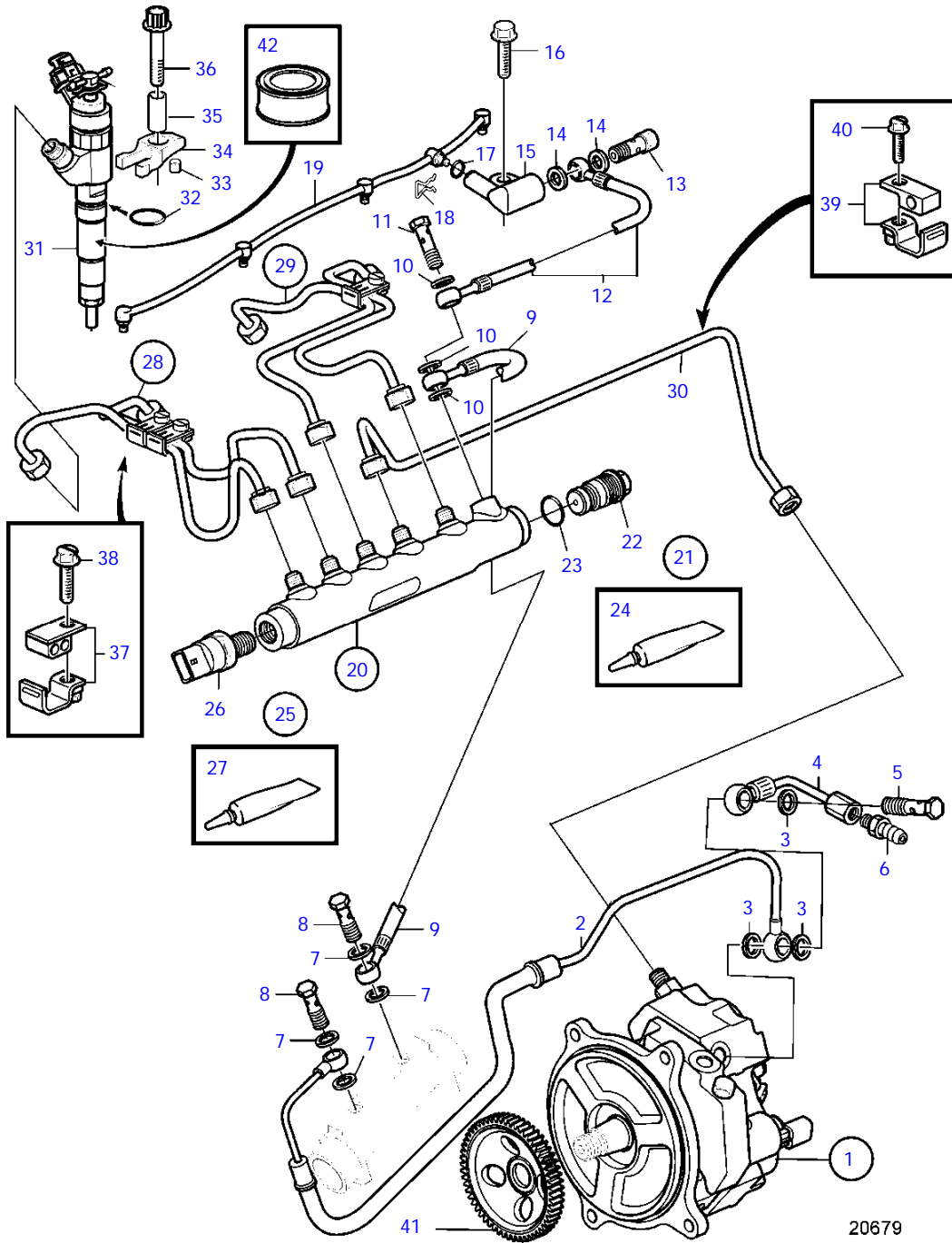


D4-180I-C, D4-180I-D, D4-225A-C, D4-225A-D, D4-225I-C, D4-225I-D, D4-260A-C, D4-260A-D, D4-260D-C, D4-260D-D, D4-260I-C, D4-260I-D, D4-180I-E, D4-225A-E, D4-225I-E, D4-260A-E, D4-260D-E, D4-260I-E

REF	PART NO.	QTY	DESCRIPTION	SEE SEC.	NOTES
1	3803633	1	High-pressure pump, •	6600	
2	3582997	1	Fuel hose		
3	11994	3	Gasket		
4	3584199	1	Return connection		
5	947975	1	Hollow screw		
6	3825000	1	Hose nipple		
7	20852763	4	Sealing ring		
8	969299	2	Hollow screw		
9	3584367	1	Fuel hose		
10	11994	3	Gasket		
11	947975	1	Hollow screw		
12	3584366	1	Fuel hose		
13	3584427	1	Pressure retaining v		
14	969011	2	Gasket		
15	3583123	1	Valve housing		
16	946173	1	Flange screw		
17	3589700	5	O-ring		
18	3583122	1	Lock spring		
19	3582802	1	Leak-off line		
20	3886062	1	Rail		
21	3884353	1	• Pressure limiting va		
22	3884350	1	• • Pressure limiting va		
23	3588336	1	• • • O-ring		
24	828250	1	• • Lubricating grease • Bulletin P-18-4-6	P-18-4-6-EN	Water resistant grease for grease gun
25	3884352	1	• Pressure sensor		
26		1	• • Pressure sensor		
27	828250	1	• • Lubricating grease • Bulletin P-18-4-6	P-18-4-6-EN	Water resistant grease for grease gun
28	3588024	1	Delivery pipe kit		
29	3588025	1	Delivery pipe kit		
30	3582796	1	Delivery pipe		
31	3801295	4	Injector		
32	3887602	4	O-ring		
33	3583442	4	Support		
34	3582669	4	Clamp		
35	889789	4	Sleeve		
36	3586690	4	Screw		
37	3586006	3	Clamp		
38	3586005	3	Screw		
39	3588018	2	Clamp		
40	946544	2	Flange screw		
41	889749	1	Gear		
42	3588346	X	Lubricant		500G



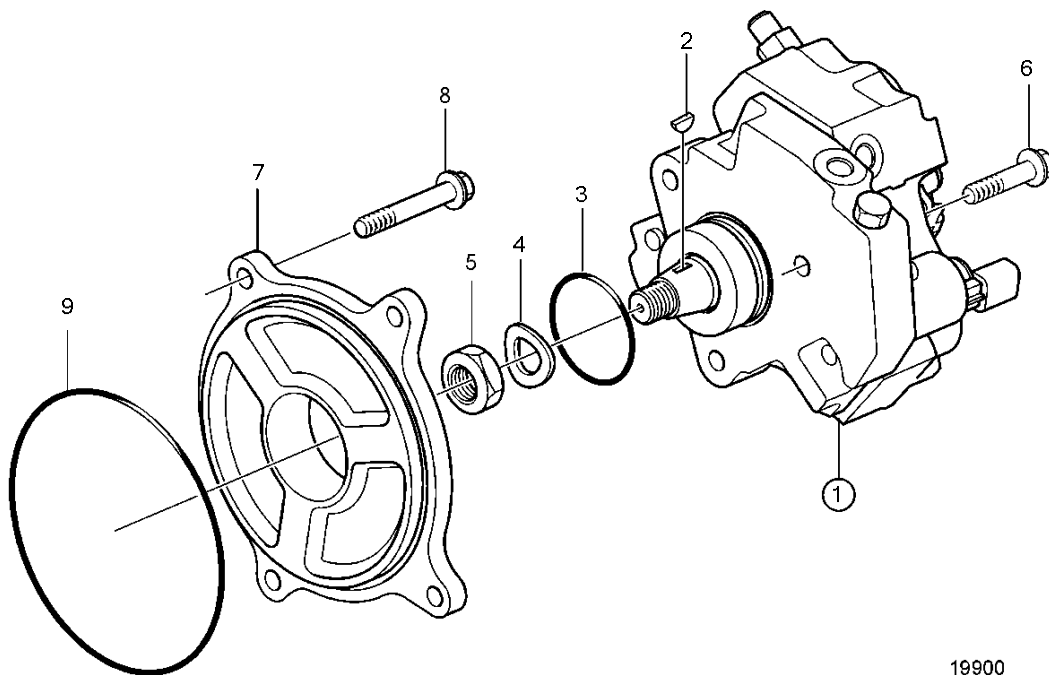
D4-300A-A, D4-300A-C, D4-300A-D, D4-300D-A, D4-300D-C, D4-300D-D, D4-300I-A, D4-300I-C, D4-300I-D, D4-300A-E, D4-300D-E, D4-300I-E



D4-300A-A, D4-300A-C, D4-300A-D, D4-300D-A, D4-300D-C, D4-300D-D, D4-300I-A, D4-300I-C, D4-300I-D, D4-300A-E, D4-300D-E, D4-300I-E

REF	PART NO.	QTY	DESCRIPTION	SEE SEC.	NOTES
1	3803633	1	High-pressure pump, •	6600	
2	3582997	1	Fuel hose		
3	11994	3	Gasket		
4	3584199	1	Return connection		
5	947975	1	Hollow screw		
6	3825000	1	Hose nipple		
7	20852763	4	Sealing ring		
8	969299	2	Hollow screw		
9	3584367	1	Fuel hose		
10	11994	3	Gasket		
11	947975	1	Hollow screw		
12	3584366	1	Fuel hose		
13	3584427	1	Pressure retaining v		
14	969011	2	Gasket		
15	3583123	1	Valve housing		
16	946173	1	Flange screw		
17	3589700	5	O-ring		
18	3583122	1	Lock spring		
19	3582802	1	Leak-off line		
20	3886062	1	Rail		
21	3884353	1	• Pressure limiting va		
22	3884350	1	• • Pressure limiting va		
23	3588336	1	• • • O-ring		
24	828250	1	• • Lubricating grease • Bulletin P-18-4-6	P-18-4-6-EN	Water resistant grease for grease gun
25	3884352	1	• Pressure sensor		
26		1	• • Pressure sensor		
27	828250	1	• • Lubricating grease • Bulletin P-18-4-6	P-18-4-6-EN	Water resistant grease for grease gun
28	3588024	1	Delivery pipe kit		
29	3588025	1	Delivery pipe kit		
30	3582796	1	Delivery pipe		
31	3801148	4	Injector		
32	3887602	4	O-ring		
33	3583442	4	Support		
34	3582669	4	Clamp		
35	889789	4	Sleeve		
36	3586690	4	Screw		
37	3586006	3	Clamp		
38	3586005	3	Screw		
39	3588018	2	Clamp		
40	946544	2	Flange screw		
41	889749	1	Gear		
42	3588346	X	Lubricant		500G

D4-180I-B, D4-180I-C, D4-180I-D, D4-210A-A, D4-210A-B, D4-210I-A, D4-210I-B, D4-225A-B, D4-225A-C, D4-225A-D, D4-225I-B, D4-225I-C, D4-225I-D, D4-260A-A, D4-260A-B, D4-260A-C, D4-260A-D, D4-260D-B, D4-260D-C, D4-260D-D, D4-260I-A, D4-260I-B, D4-260I-C, D4-260I-D, D4-300A-A, D4-300A-C, D4-300A-D, D4-300D-A, D4-300D-C, D4-300D-D, D4-300I-A, D4-300I-C, D4-300I-D, D4-180I-E, D4-225A-E, D4-225I-E, D4-260A-E, D4-260D-E, D4-260I-E, D4-300A-E, D4-300D-E, D4-300I-E



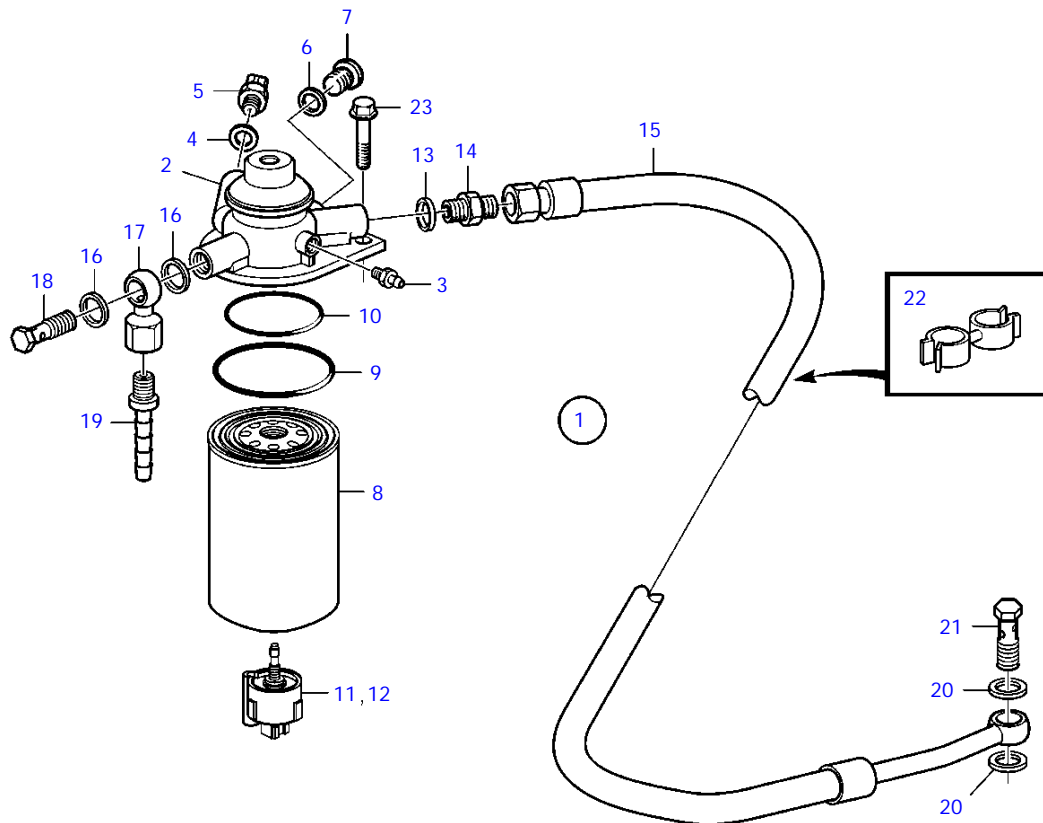
19900

D4-180I-B, D4-180I-C, D4-180I-D, D4-210A-A, D4-210A-B, D4-210I-A, D4-210I-B, D4-225A-B, D4-225A-C, D4-225A-D, D4-225I-B, D4-225I-C, D4-225I-D, D4-260A-A, D4-260A-B, D4-260A-C, D4-260A-D, D4-260D-B, D4-260D-C, D4-260D-D, D4-260I-A, D4-260I-B, D4-260I-C, D4-260I-D, D4-300A-A, D4-300A-C, D4-300A-D, D4-300D-A, D4-300D-C, D4-300D-D, D4-300I-A, D4-300I-C, D4-300I-D, D4-180I-E, D4-225A-E, D4-225I-E, D4-260A-E, D4-260D-E, D4-260I-E, D4-300A-E, D4-300D-E, D4-300I-E

REF	PART NO.	QTY	DESCRIPTION	NOTES
1	3803633	1	High-pressure pump,	
2	243734	1	* Woodruff key	
3	8631580	1	* O-ring	
4	3588228	1	* Spring washer	
5	3588229	1	* Hexagon nut	
6	947760	3	Flange screw	L=40mm
7	3885130	1	Intermediate plate	
8	965217	4	Flange screw	L=65mm
9	948888	1	O-ring	



D4-180I-B, D4-180I-C, D4-180I-D, D4-210A-A, D4-210A-B, D4-210I-A, D4-210I-B, D4-225A-B, D4-225A-C, D4-225A-D, D4-225I-B, D4-225I-C, D4-225I-D, D4-260A-A, D4-260A-B, D4-260A-C, D4-260A-D, D4-260D-B, D4-260D-C, D4-260D-D, D4-260I-A, D4-260I-B, D4-260I-C, D4-260I-D, D4-300A-A, D4-300A-C, D4-300A-D, D4-300D-A, D4-300D-C, D4-300D-D, D4-300I-A, D4-300I-C, D4-300I-D, D4-180I-E, D4-225A-E, D4-225I-E, D4-260A-E, D4-260D-E, D4-260I-E, D4-300A-E, D4-300D-E, D4-300I-E



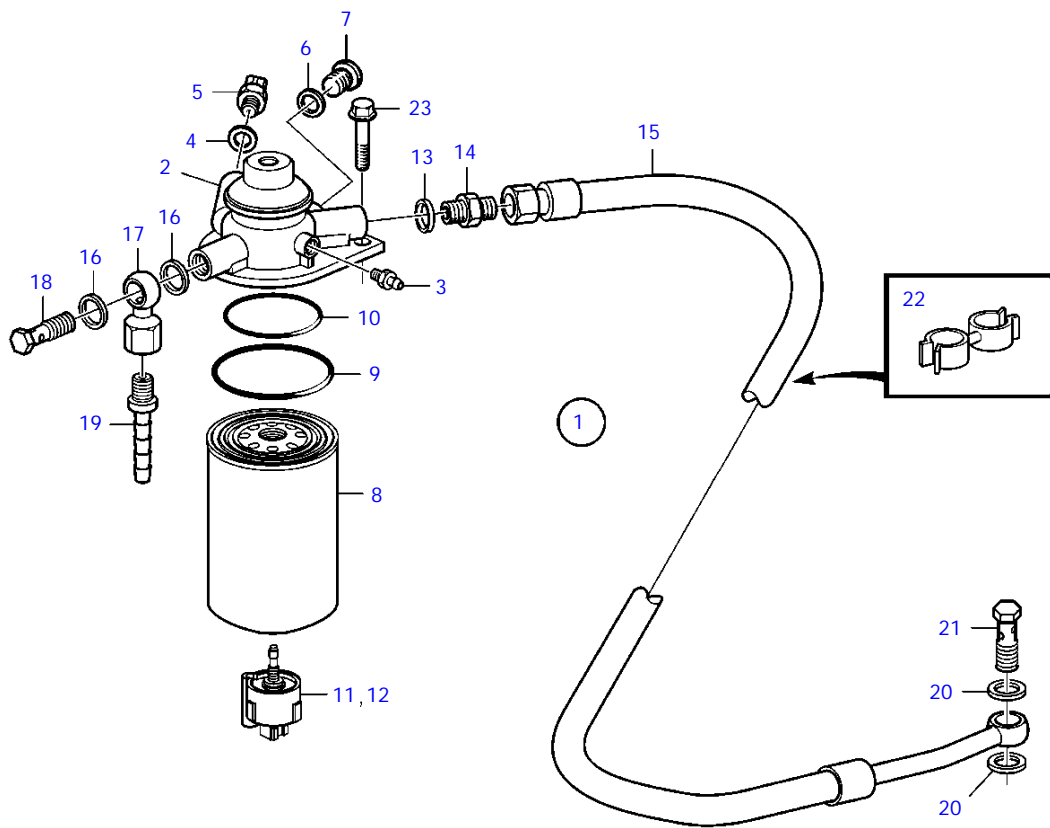
23149

D4-180I-B, D4-180I-C, D4-180I-D, D4-210A-A, D4-210A-B, D4-210I-A, D4-210I-B, D4-225A-B, D4-225A-C, D4-225A-D, D4-225I-B, D4-225I-C, D4-225I-D, D4-260A-A, D4-260A-B, D4-260A-C, D4-260A-D, D4-260D-B, D4-260D-C, D4-260D-D, D4-260I-A, D4-260I-B, D4-260I-C, D4-260I-D, D4-300A-A, D4-300A-C, D4-300A-D, D4-300D-A, D4-300D-C, D4-300D-D, D4-300I-A, D4-300I-C, D4-300I-D, D4-180I-E, D4-225A-E, D4-225I-E, D4-260A-E, D4-260D-E, D4-260I-E, D4-300A-E, D4-300D-E, D4-300I-E

REF	PART NO.	QTY	DESCRIPTION	SEE SEC.	NOTES
1	3588199	1	Fuel filter		
2		1	* Fuel filter housing		
3	20548012	1	* Faucet		
4	11996	1	* Gasket		
5	1624368	1	* Sensor		
6	969011	1	* Gasket		
7	945065	1	* Plug		M14x1.5
8	3583443	1	* Filter		
			* Bulletin P-23-3-5	P-23-3-5-EN	Fuel Filter Missing Inner Gasket
9		1	* * O-ring		Included in 3583443
10		1	* * O-ring		Included in 3583443
11		1	* Sensor		
12	3808616	1	Sensor		Installation instruction included.
13	969011	1	Gasket		
14	941754	1	Nipple		
15	3582998	1	Fuel hose		
16	969011	2	Gasket		
17	861101	1	Banjo nipple		
18	25167	1	Hollow screw		
19	3825000	1	Hose nipple		
20	969011	2	Gasket		
21	25167	1	Hollow screw		
22	9205207	1	Retainer		
23	946671	2	Flange screw		



D4-210A-A, D4-210I-A, D4-225A-B, D4-260A-A, D4-260I-A, D4-300A-A, D4-300I-A

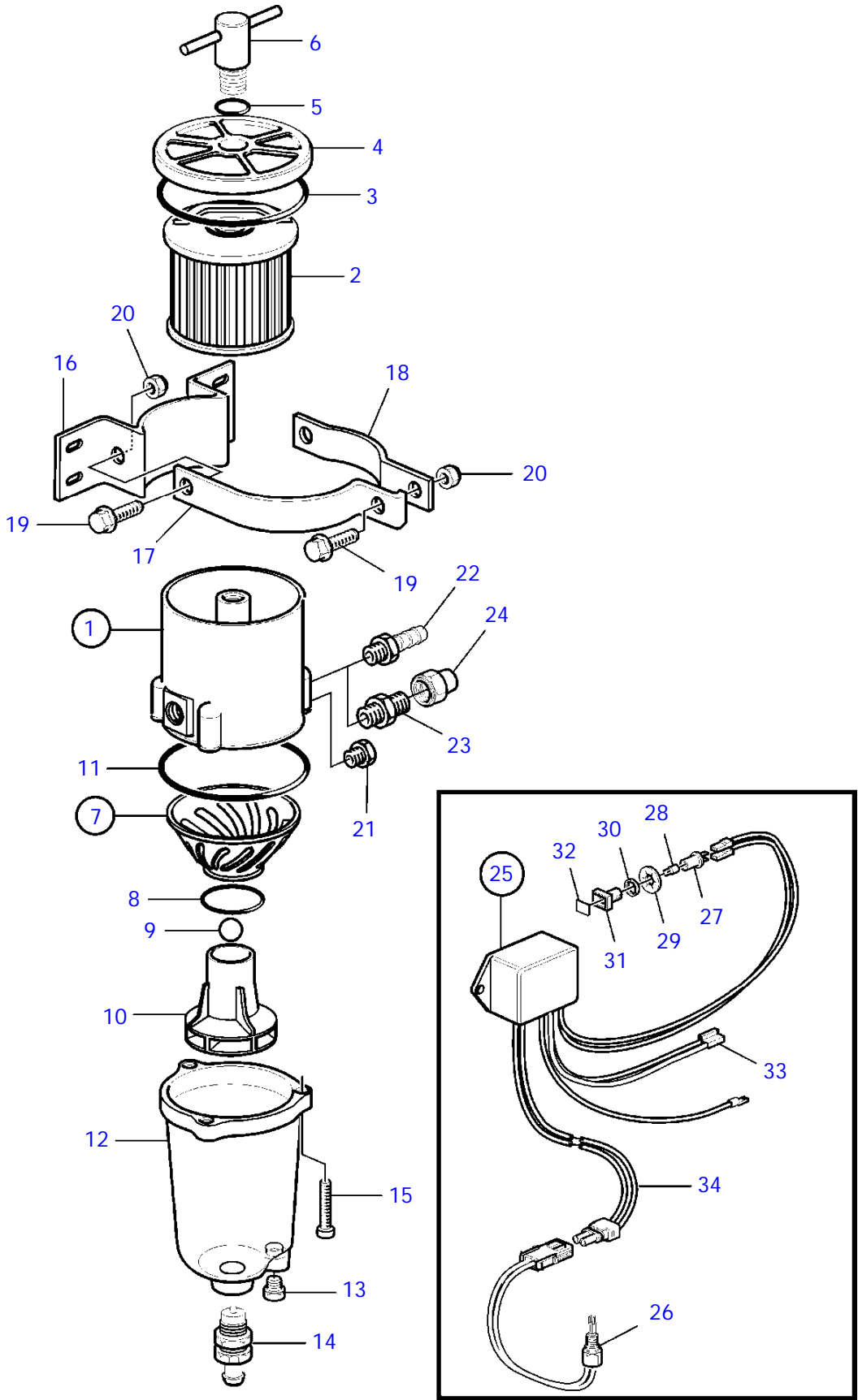


23149

D4-210A-A, D4-210I-A, D4-225A-B, D4-260A-A, D4-260I-A, D4-300A-A, D4-300I-A

REF	PART NO.	QTY	DESCRIPTION	SEE SEC.	NOTES
1	3582738	1	Fuel filter		Replaced by 3588199
	3588199	1	Fuel filter	7427	
2		1	Fuel filter housing		
3	20548012	1	* Faucet		
4	11996	1	* Gasket		
5	1624368	1	* Sensor		
6	11996	1	* Gasket		
7	966143	1	* Plug		M16x1,5
8	3583443	1	* Filter		
			* Bulletin P-23-3-5	P-23-3-5-EN	Fuel Filter Missing Inner Gasket
9		1	* * O-ring		Included in 3583443
10		1	* * O-ring		Included in 3583443
11		1	* Sensor		
12	3808616	1	Sensor		Installation instruction included.
13	969011	1	Gasket		
14	941754	1	Nipple		
15	3582998	1	Fuel hose		
16	969011	2	Gasket		
17	861101	1	Banjo nipple		
18	25167	1	Hollow screw		
19	3825000	1	Hose nipple		
20	969011	2	Gasket		
21	25167	1	Hollow screw		
22	9205207	1	Retainer		
23	946671	2	Flange screw		

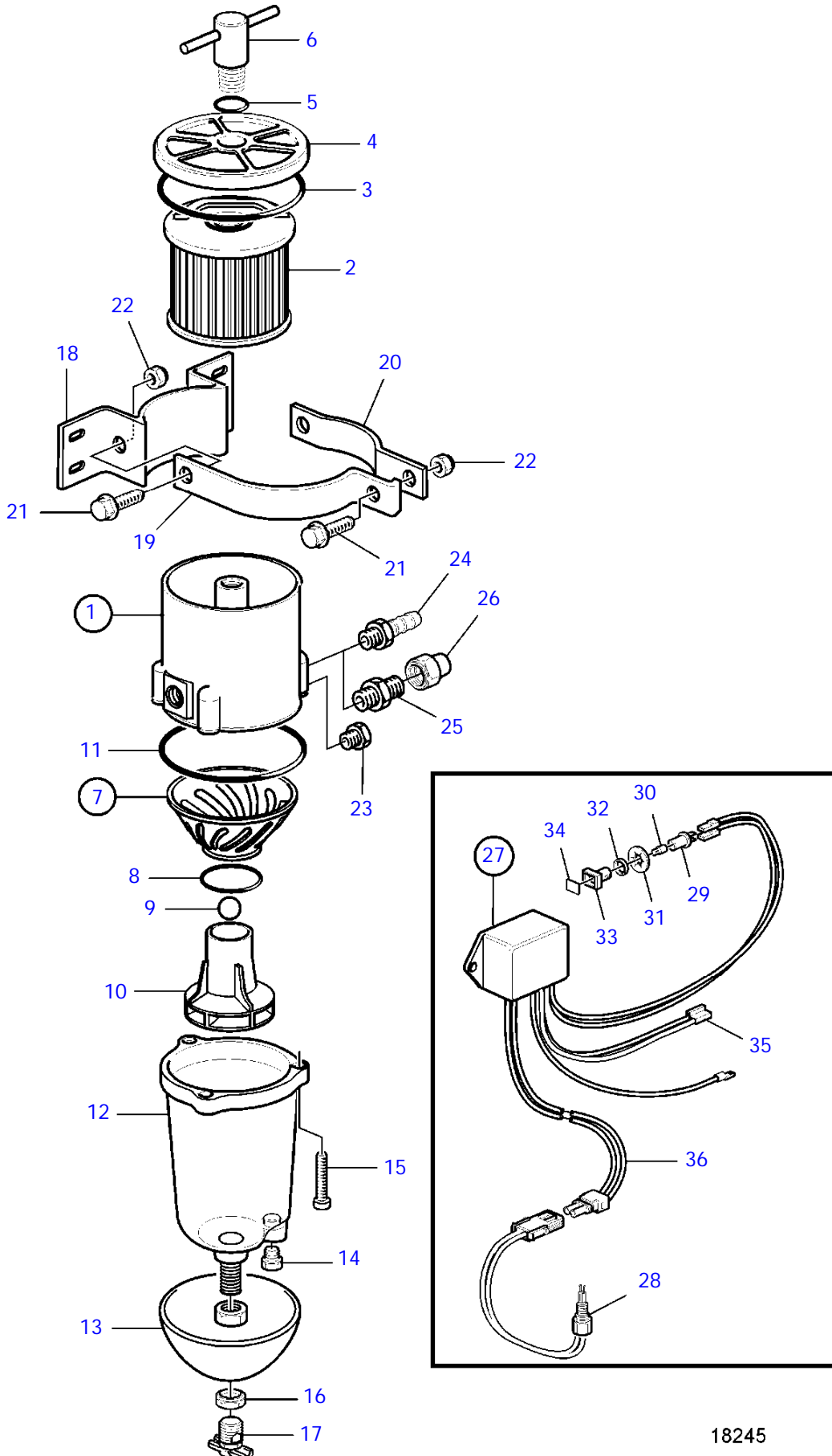
D4-180I-B, D4-180I-C, D4-180I-D, D4-210A-A, D4-210A-B, D4-210I-A, D4-210I-B, D4-225A-B, D4-225A-C, D4-225A-D, D4-225I-B, D4-225I-C, D4-225I-D, D4-260A-A, D4-260A-B, D4-260A-C, D4-260A-D, D4-260D-B, D4-260D-C, D4-260D-D, D4-260I-A, D4-260I-B, D4-260I-C, D4-260I-D, D4-300A-A, D4-300A-C, D4-300A-D, D4-300D-A, D4-300D-C, D4-300D-D, D4-300I-A, D4-300I-C, D4-300I-D, D4-180I-E, D4-225A-E, D4-225I-E, D4-260A-E, D4-260D-E, D4-260I-E, D4-300A-E, D4-300D-E, D4-300I-E



D4-180I-B, D4-180I-C, D4-180I-D, D4-210A-A, D4-210A-B, D4-210I-A, D4-210I-B, D4-225A-B, D4-225A-C, D4-225A-D, D4-225I-B, D4-225I-C, D4-225I-D, D4-260A-A, D4-260A-B, D4-260A-C, D4-260A-D, D4-260D-B, D4-260D-C, D4-260D-D, D4-260I-A, D4-260I-B, D4-260I-C, D4-260I-D, D4-300A-A, D4-300A-C, D4-300A-D, D4-300D-A, D4-300D-C, D4-300D-D, D4-300I-A, D4-300I-C, D4-300I-D, D4-180I-E, D4-225A-E, D4-225I-E, D4-260A-E, D4-260D-E, D4-260I-E, D4-300A-E, D4-300D-E, D4-300I-E

REF	PART NO.	QTY	DESCRIPTION	SEE SEC.	NOTES
1	861143	1	Fuel filter		Repl by 877762
			* Bulletin 50-03	50-03-EN	Extra Fuel/Water Separators, D2010, D22
			* Bulletin 50-10	50-10-EN	Changes in Fuel Filter Program due to Legislation
			* Bulletin 50-11A	50-11A-EN	Fuel Filters / Water Separators
1	877762	1	Fuel filter		
			*		
			*	9024	
2	861014	1	* Insert		
3	838504	1	* Gasket		
4		1	* Lock		
5	838505	1	* O-ring		
6		1	* Handle		
7	861455	1	* O-ring		
8		1	* * O-ring		
9		1	* * Ball		
10		1	* * Insert		
11	3838861	1	* * Gasket		(838502)
12	3838848	1	* Bowl		(861453)
13		1	* Plug		
14	861456	1	* Faucet		
15	950024	4	* Cross recessed screw		
16		1	* Bracket		
17		1	* Clamp		
18		1	* Clamp		
19		3	* Screw		
20		3	* Nut		
21		1	* Plug		
22	3825000	X	Hose nipple		(834781)
23	954337	X	Nipple		
24	954323	X	Fitting nut		
25	1140724	1	Level guard		
26	3588916	1	* Alarm kit		
27	808175	1	* Lamp socket		
28	19923	1	* Bulb		12V, 2W
	182059	1	* Bulb		24V, 3W
29	967583	1	* Retainer		
30	829714	1	* Sealing ring		
31	838455	1	* Retainer		
32	872591	1	* Symbol strip		
33		X	* cables and terminals	1963	
34	881774	1	Wiring harness		

D4-180I-B, D4-180I-C, D4-180I-D, D4-210A-A, D4-210A-B, D4-210I-A, D4-210I-B, D4-225A-B, D4-225A-C, D4-225A-D, D4-225I-B, D4-225I-C, D4-225I-D, D4-260A-A, D4-260A-B, D4-260A-C, D4-260A-D, D4-260D-B, D4-260D-C, D4-260D-D, D4-260I-A, D4-260I-B, D4-260I-C, D4-260I-D, D4-300A-A, D4-300A-C, D4-300A-D, D4-300D-A, D4-300D-C, D4-300D-D, D4-300I-A, D4-300I-C, D4-300I-D, D4-180I-E, D4-225A-E, D4-225I-E, D4-260A-E, D4-260D-E, D4-260I-E, D4-300A-E, D4-300D-E, D4-300I-E

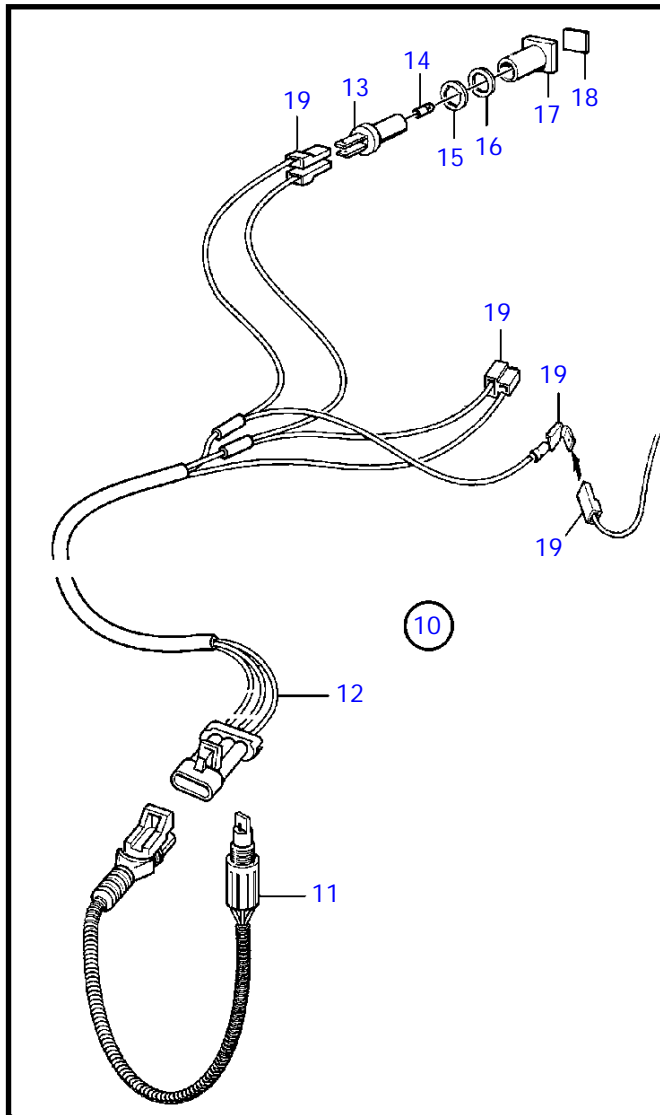
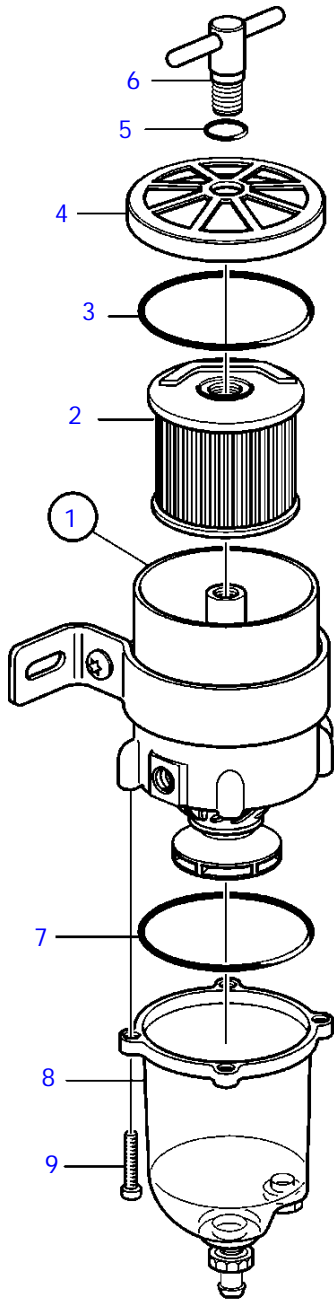


18245

D4-180I-B, D4-180I-C, D4-180I-D, D4-210A-A, D4-210A-B, D4-210I-A, D4-210I-B, D4-225A-B, D4-225A-C, D4-225A-D, D4-225I-B, D4-225I-C, D4-225I-D, D4-260A-A, D4-260A-B, D4-260A-C, D4-260A-D, D4-260D-B, D4-260D-C, D4-260D-D, D4-260I-A, D4-260I-B, D4-260I-C, D4-260I-D, D4-300A-A, D4-300A-C, D4-300A-D, D4-300D-A, D4-300D-C, D4-300D-D, D4-300I-A, D4-300I-C, D4-300I-D, D4-180I-E, D4-225A-E, D4-225I-E, D4-260A-E, D4-260D-E, D4-260I-E, D4-300A-E, D4-300D-E, D4-300I-E

REF	PART NO.	QTY	DESCRIPTION	SEE SEC.	NOTES
1	3582350	1	Fuel filter		Repl by 877763
			* Bulletin 50-11A	50-11A-EN	Fuel Filters / Water Separators
1	877763	1	Fuel filter		
			*	37059	
2	861014	1	* Insert		
3	838504	1	* Gasket		
4		1	* Lock		
5	838505	1	* O-ring		
6		1	* Handle		
7	861455	1	* O-ring		
8		1	* * O-ring		
9		1	* * Ball		
10		1	* * Insert		
11	3838861	1	* * Gasket		(838502)
12	3838849	1	Bowl		
13		1	* Heat shield		
14		1	* Plug		
15	950024	4	* Cross recessed screw		
16	861459	2	* Nut		
17	(861458)	1	* Faucet		Obsolete part
18		1	* Bracket		
19		1	* Clamp		
20		1	* Clamp		
21		3	* Screw		
22		3	* Nut		
23		1	* Plug		
24	3825000	X	Hose nipple		(834781)
25	954337	X	Nipple		
26	954323	X	Fitting nut		
27	1140724	1	Level guard		(1140609)
28	3588916	1	* Alarm kit		
29	808175	1	* Lamp socket		
30	19923	1	* Bulb		12V, 2W
	182059	1	* Bulb		24V, 3W
31	967583	1	* Retainer		
32	829714	1	* Sealing ring		
33	838455	1	* Retainer		
34	872591	1	* Symbol strip		
35		X	* cables and terminals	1963	
36	881774	1	Wiring harness		

D4-180I-B, D4-180I-C, D4-180I-D, D4-210A-A, D4-210A-B, D4-210I-A, D4-210I-B, D4-225A-B, D4-225A-C, D4-225A-D, D4-225I-B, D4-225I-C, D4-225I-D, D4-260A-A, D4-260A-B, D4-260A-C, D4-260A-D, D4-260D-B, D4-260D-C, D4-260D-D, D4-260I-A, D4-260I-B, D4-260I-C, D4-260I-D, D4-300A-A, D4-300A-C, D4-300A-D, D4-300D-A, D4-300D-C, D4-300D-D, D4-300I-A, D4-300I-C, D4-300I-D, D4-180I-E, D4-225A-E, D4-225I-E, D4-260A-E, D4-260D-E, D4-260I-E, D4-300A-E, D4-300D-E, D4-300I-E



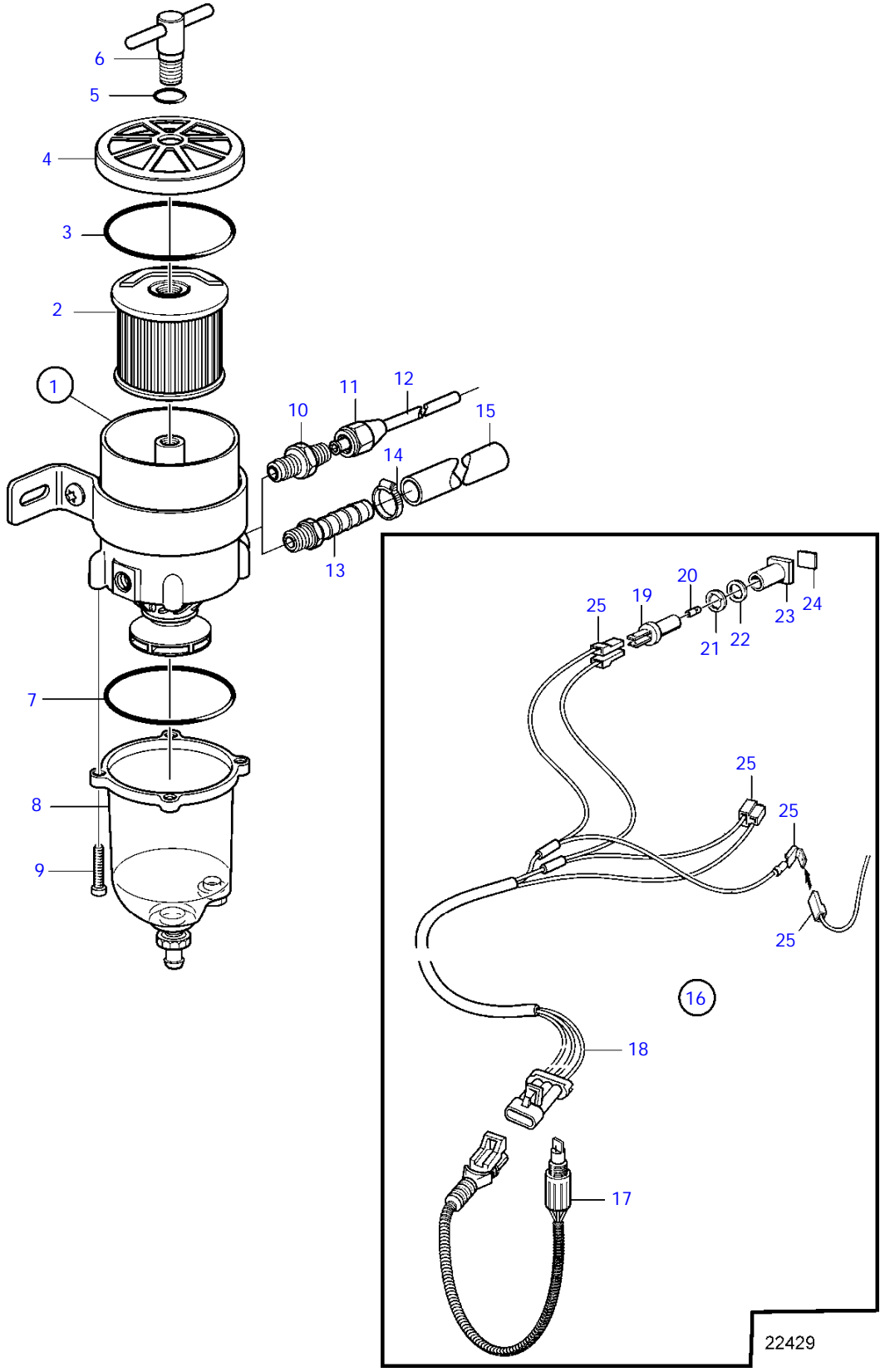
21064

D4-180I-B, D4-180I-C, D4-180I-D, D4-210A-A, D4-210A-B, D4-210I-A, D4-210I-B, D4-225A-B, D4-225A-C, D4-225A-D, D4-225I-B, D4-225I-C, D4-225I-D, D4-260A-A, D4-260A-B, D4-260A-C, D4-260A-D, D4-260D-B, D4-260D-C, D4-260D-D, D4-260I-A, D4-260I-B, D4-260I-C, D4-260I-D, D4-300A-A, D4-300A-C, D4-300A-D, D4-300D-A, D4-300D-C, D4-300D-D, D4-300I-A, D4-300I-C, D4-300I-D, D4-180I-E, D4-225A-E, D4-225I-E, D4-260A-E, D4-260D-E, D4-260I-E, D4-300A-E, D4-300D-E, D4-300I-E

REF	PART NO.	QTY	DESCRIPTION	SEE SEC.	NOTES
1	877762	1	Fuel filler		
2	861014	1	* Insert		
3	838504	1	* Gasket		
4		1	* Strainer		
5	838506	1	* O-ring		
6		1	* Handle		
7	3838861	1	* Gasket		
8	3838848	1	* Bowl		
9	950024	4	* Cross recessed screw		
10	1140724	1	Level guard		
11	3588916	1	* Alarm kit		
12	881774	1	* Wiring harness		
13	808175	1	* Lamp socket		
14	19923	1	* Bulb		12V, 2W
	182059	1	* Bulb		24V, 3W
15	967583	1	* Retainer		
16	829714	1	* Sealing ring		
17	838455	1	* Retainer		
18	872591	1	* Symbol strip		
19		X	* cables and terminals	1963	



D4-180I-B, D4-180I-C, D4-180I-D, D4-210A-A, D4-210A-B, D4-210I-A, D4-210I-B, D4-225A-B, D4-225A-C, D4-225A-D, D4-225I-B, D4-225I-C, D4-225I-D, D4-260A-A, D4-260A-B, D4-260A-C, D4-260A-D, D4-260D-B, D4-260D-C, D4-260D-D, D4-260I-A, D4-260I-B, D4-260I-C, D4-260I-D, D4-300A-A, D4-300A-C, D4-300A-D, D4-300D-A, D4-300D-C, D4-300D-D, D4-300I-A, D4-300I-C, D4-300I-D, D4-180I-E, D4-225A-E, D4-225I-E, D4-260A-E, D4-260D-E, D4-260I-E, D4-300A-E, D4-300D-E, D4-300I-E

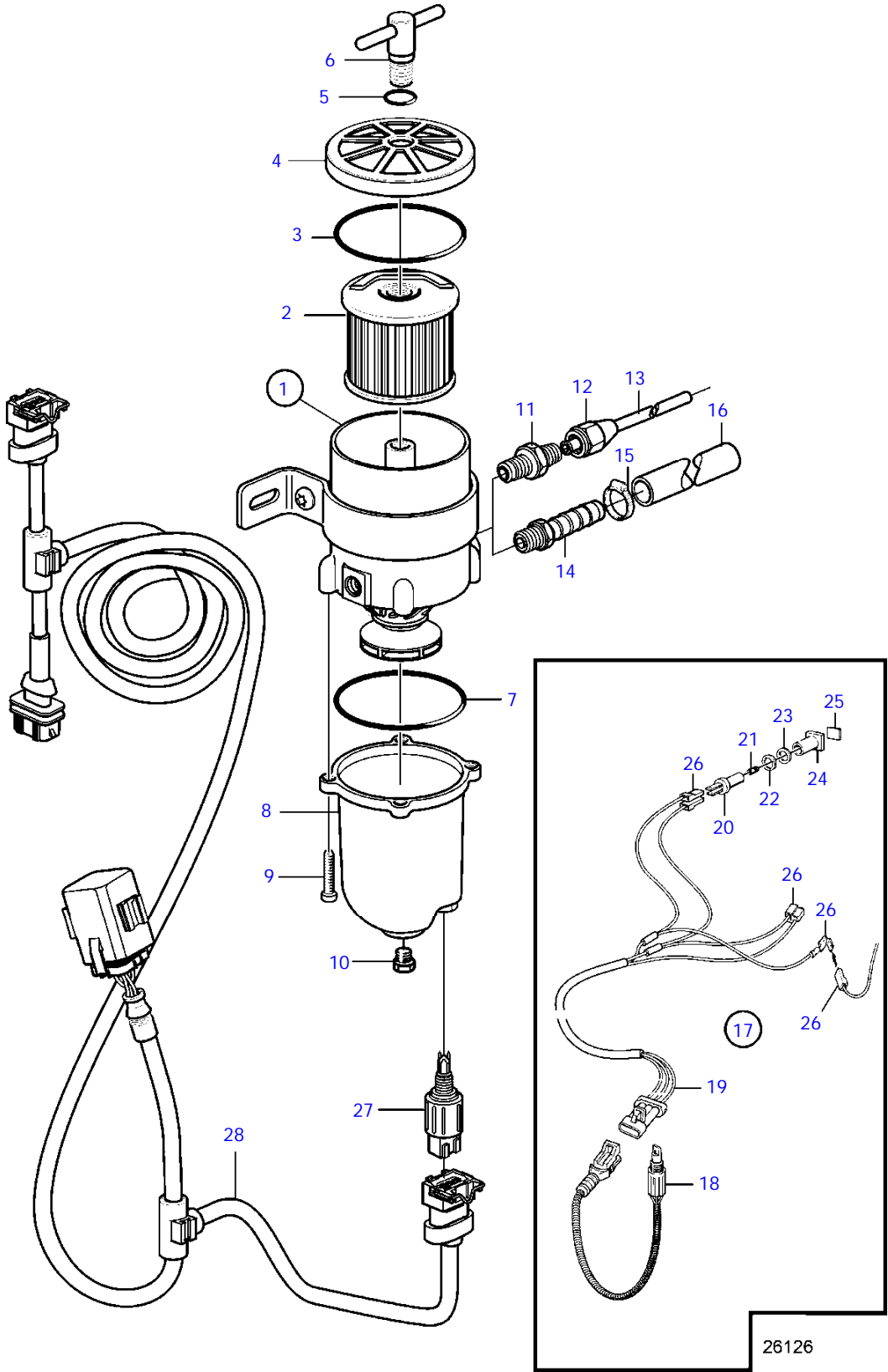


22429

D4-180I-B, D4-180I-C, D4-180I-D, D4-210A-A, D4-210A-B, D4-210I-A, D4-210I-B, D4-225A-B, D4-225A-C, D4-225A-D, D4-225I-B, D4-225I-C, D4-225I-D, D4-260A-A, D4-260A-B, D4-260A-C, D4-260A-D, D4-260D-B, D4-260D-C, D4-260D-D, D4-260I-A, D4-260I-B, D4-260I-C, D4-260I-D, D4-300A-A, D4-300A-C, D4-300A-D, D4-300D-A, D4-300D-C, D4-300D-D, D4-300I-A, D4-300I-C, D4-300I-D, D4-180I-E, D4-225A-E, D4-225I-E, D4-260A-E, D4-260D-E, D4-260I-E, D4-300A-E, D4-300D-E, D4-300I-E

REF	PART NO.	QTY	DESCRIPTION	SEE SEC.	NOTES
1	877762	1	Fuel filter		(861143)
2	1147147	1	* Fuel filter insert		2 mikron
	861014	1	* Insert		10 mikron
	3581760	1	* Insert		30 mikron
3	838504	1	* Gasket		
4		1	* Lock		
5	838505	1	* O-ring		
6		1	* Handle		
7	3838861	1	* Gasket		
8	3838848	1	* Bowl		
9	950024	4	* Cross recessed screw		
10	954337	2	Nipple		
11	954323	2	Fitting nut		
12	1140062	2	Copper tube		
13	3825000	2	Hose nipple		
14	961664	2	Hose clamp		
15	861057	X	Fuel hose		3/8"
			* Bulletin P-23-4-4	P-23-4-4-EN	Fuel Hose P/N 861057
16	1140724	1	Level guard		
17	3588916	1	* Alarm kit		
18	881774	1	* Wiring harness		
19	808175	1	* Lamp socket		
20	19923	1	* Bulb		12V, 2W
	182059	1	* Bulb		24V, 3W
21	967583	1	* Retainer		
22	829714	1	* Sealing ring		
23	838455	1	* Retainer		
24	872591	1	* Symbol strip		
25		X	* cables and terminals	1963	

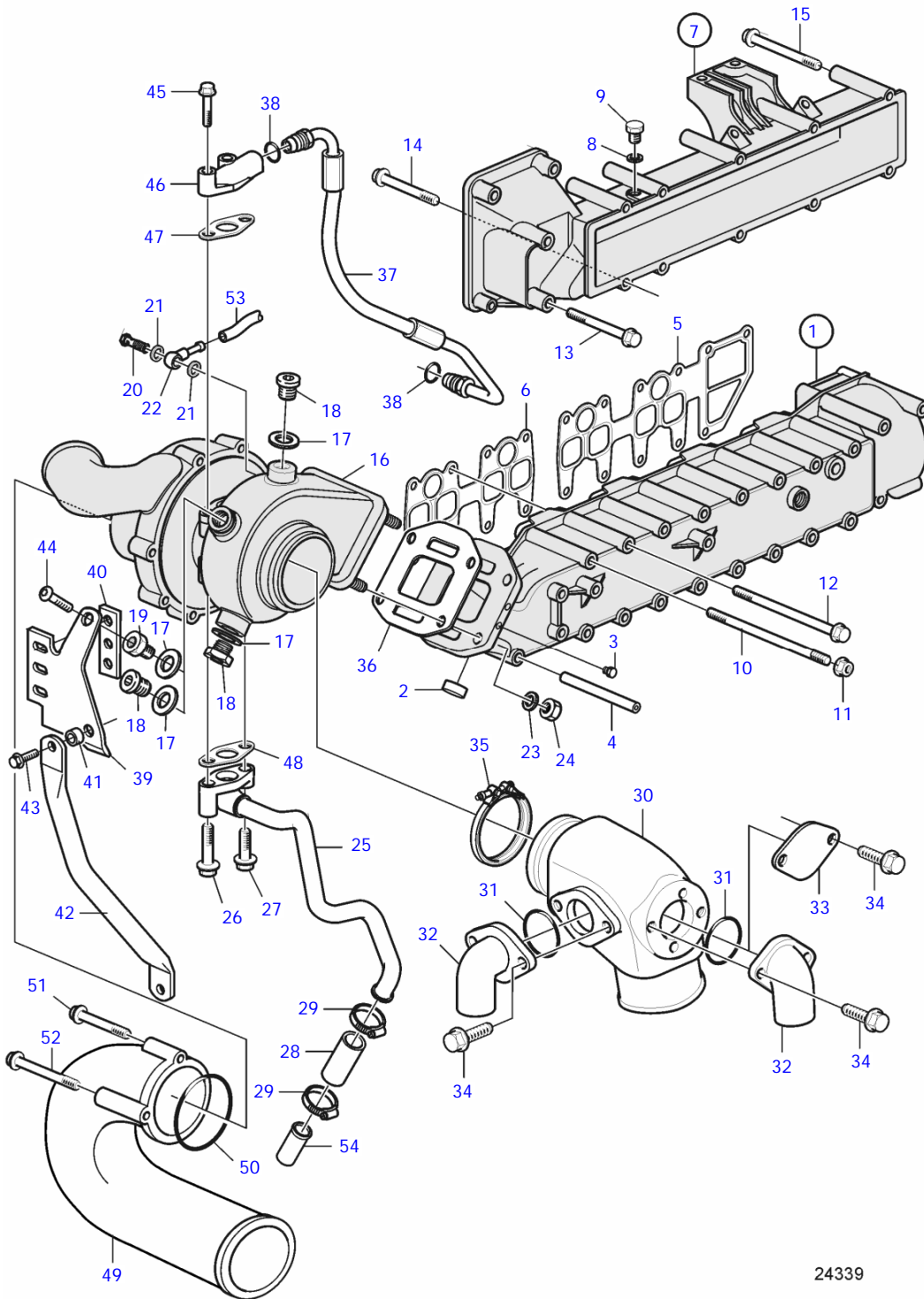
D4-180I-B, D4-180I-C, D4-180I-D, D4-210A-A, D4-210A-B, D4-210I-A, D4-210I-B, D4-225A-B, D4-225A-C, D4-225A-D, D4-225I-B, D4-225I-C, D4-225I-D, D4-260A-A, D4-260A-B, D4-260A-C, D4-260A-D, D4-260D-B, D4-260D-C, D4-260D-D, D4-260I-A, D4-260I-B, D4-260I-C, D4-260I-D, D4-300A-A, D4-300A-C, D4-300A-D, D4-300D-A, D4-300D-C, D4-300D-D, D4-300I-A, D4-300I-C, D4-300I-D, D4-180I-E, D4-225A-E, D4-225I-E, D4-260A-E, D4-260D-E, D4-260I-E, D4-300A-E, D4-300D-E, D4-300I-E



D4-180I-B, D4-180I-C, D4-180I-D, D4-210A-A, D4-210A-B, D4-210I-A, D4-210I-B, D4-225A-B, D4-225A-C, D4-225A-D, D4-225I-B, D4-225I-C, D4-225I-D, D4-260A-A, D4-260A-B, D4-260A-C, D4-260A-D, D4-260D-B, D4-260D-C, D4-260D-D, D4-260I-A, D4-260I-B, D4-260I-C, D4-260I-D, D4-300A-A, D4-300A-C, D4-300A-D, D4-300D-A, D4-300D-C, D4-300D-D, D4-300I-A, D4-300I-C, D4-300I-D, D4-180I-E, D4-225A-E, D4-225I-E, D4-260A-E, D4-260D-E, D4-260I-E, D4-300A-E, D4-300D-E, D4-300I-E

REF	PART NO.	QTY	DESCRIPTION	SEE SEC.	NOTES
1	877763	1	Fuel filter		
2	1147147	1	* Fuel filter insert		2 mikron
	861014	1	* Insert		10 mikron
	3581760	1	* Insert		30 mikron
3	838504	1	* Gasket		
4		1	* Lock		
5	838505	1	* O-ring		
6		1	* Handle		
7	3838861	1	* Gasket		
8	3838849	1	* Bowl		
9	950024	4	* Cross recessed screw		
10	952075	1	* Plug		
11	954337	2	Nipple		
12	954323	2	Fitting nut		
13	1140062	2	Copper tube		
14	3825000	2	Hose nipple		
15	961664	2	Hose clamp		
16	861057	X	Fuel hose		3/8"
			* Bulletin P-23-4-4	P-23-4-4-EN	Fuel Hose P/N 861057
17	1140724	1	Level guard		
18	3588916	1	* Alarm kit		
19	881774	1	* Wiring harness		
20	808175	1	* Lamp socket		
21	19923	1	* Bulb		12V, 2W
	182059	1	* Bulb		24V, 3W
22	967583	1	* Retainer		
23	829714	1	* Sealing ring		
24	838455	1	* Retainer		
25	872591	1	* Symbol strip		
26		X	* cables and terminals	1963	
27	21432601	1	Wiring harness		Alternative
28	21614395	1	Sensor		Alternative

D4-180I-B, D4-180I-C, D4-180I-D, D4-210A-A, D4-210A-B, D4-210I-A, D4-210I-B, D4-225A-B, D4-225A-C, D4-225A-D, D4-225I-B, D4-225I-C, D4-225I-D, D4-180I-E, D4-225A-E, D4-225I-E

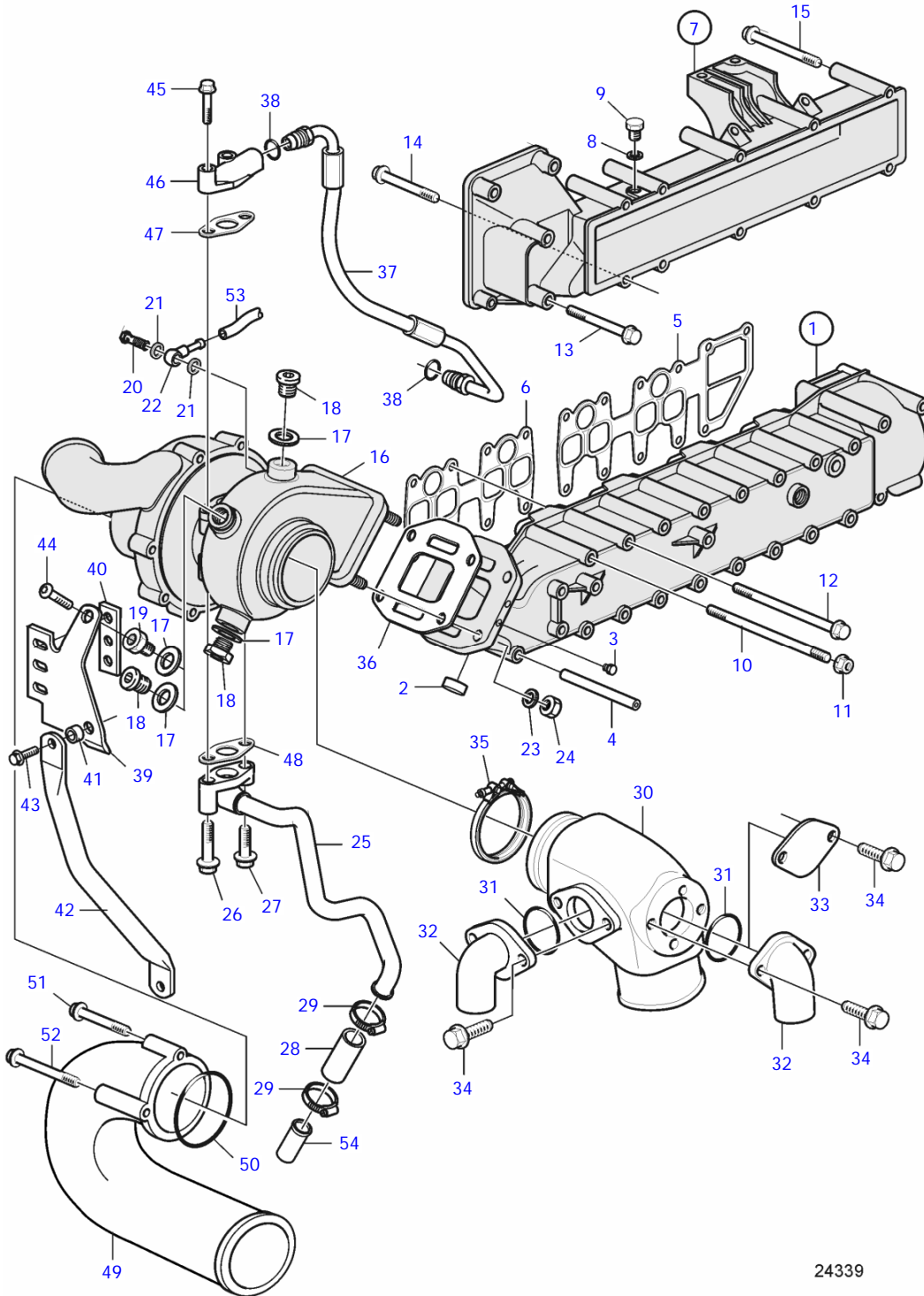


24339

D4-180I-B, D4-180I-C, D4-180I-D, D4-210A-A, D4-210A-B, D4-210I-A, D4-210I-B, D4-225A-B, D4-225A-C, D4-225A-D, D4-225I-B, D4-225I-C, D4-225I-D, D4-180I-E, D4-225A-E, D4-225I-E

REF	PART NO.	QTY	DESCRIPTION	NOTES
1	889109	1	Exhaust manifold	Replaced by 3841197
	3841197	1	Exhaust manifold	
2	8131707	1	* Cap plug	Earlier prod., For 889109
3	479979	1	* Plug	
4	3583116	1	* Spring pin	
5	3583336	1	Gasket	
6	3582725	1	Gasket	
7	3808941	1	Inlet pipe	
8	11994	1	* Gasket	
9	966142	1	* Plug	
10	948194	4	Stud	
11	945408	4	Flange nut	
12	968999	16	Flange screw	L=130mm
13	947760	2	Flange screw	
14	965184	9	Flange screw	L=100mm
15	965182	1	Flange screw	L=80mm
16	3802150	1	Turbocharger	
			* parts not sold separately	
17	947627	2	Gasket	
18	861551	1	Plug	
19	861646	2	Plug	
20	969299	1	Hollow screw	
21	11994	2	Gasket	
22	858750	1	Banjo nipple	
23	955895	4	Washer	
24	940183	4	Hexagon nut	
25	3582967	1	Oil return pipe	
26	948217	1	Flange screw	
27	945444	1	Flange screw	
28	466328	1	Rubber hose	
29	943474	2	Hose clamp	
30	3884701	1	Exhaust riser	(3583856)
31	969415	2	O-ring	
32	21450768	2	Connector	
33	3584006	1	Cover	
34	947542	4	Flange screw	
35	842993	1	V-band clamp	
36	3583335	1	Gasket	
37	3582968	1	Oil pressure pipe	Replaced by 40005392
	40005392	1	Oil pressure pipe	
38	976971	2	* O-ring	
39	3586073	1	Bracket	
40	(3586070)	1	* Nut retainer	Obsolete part
41	860699	1	Spacer sleeve	
42	3586071	1	Support	
43	946472	2	Flange screw	
44	946471	2	Flange screw	
45	947760	2	Flange screw	
46	8192268	1	Flange	
47	420641	1	Gasket	
48	860105	1	Gasket	
49	3812945	1	Connector	(888445)
50	949841	1	O-ring	
51	965180	1	Flange screw	
52	968842	2	Flange screw	
53	942700	X	Hose	L=600mm
54	3583622	1	Hose connection	

D4-260A-A, D4-260A-B, D4-260A-C, D4-260A-D, D4-260D-B, D4-260D-C, D4-260D-D, D4-260I-A, D4-260I-B, D4-260I-C, D4-260I-D, D4-260A-E, D4-260D-E, D4-260I-E

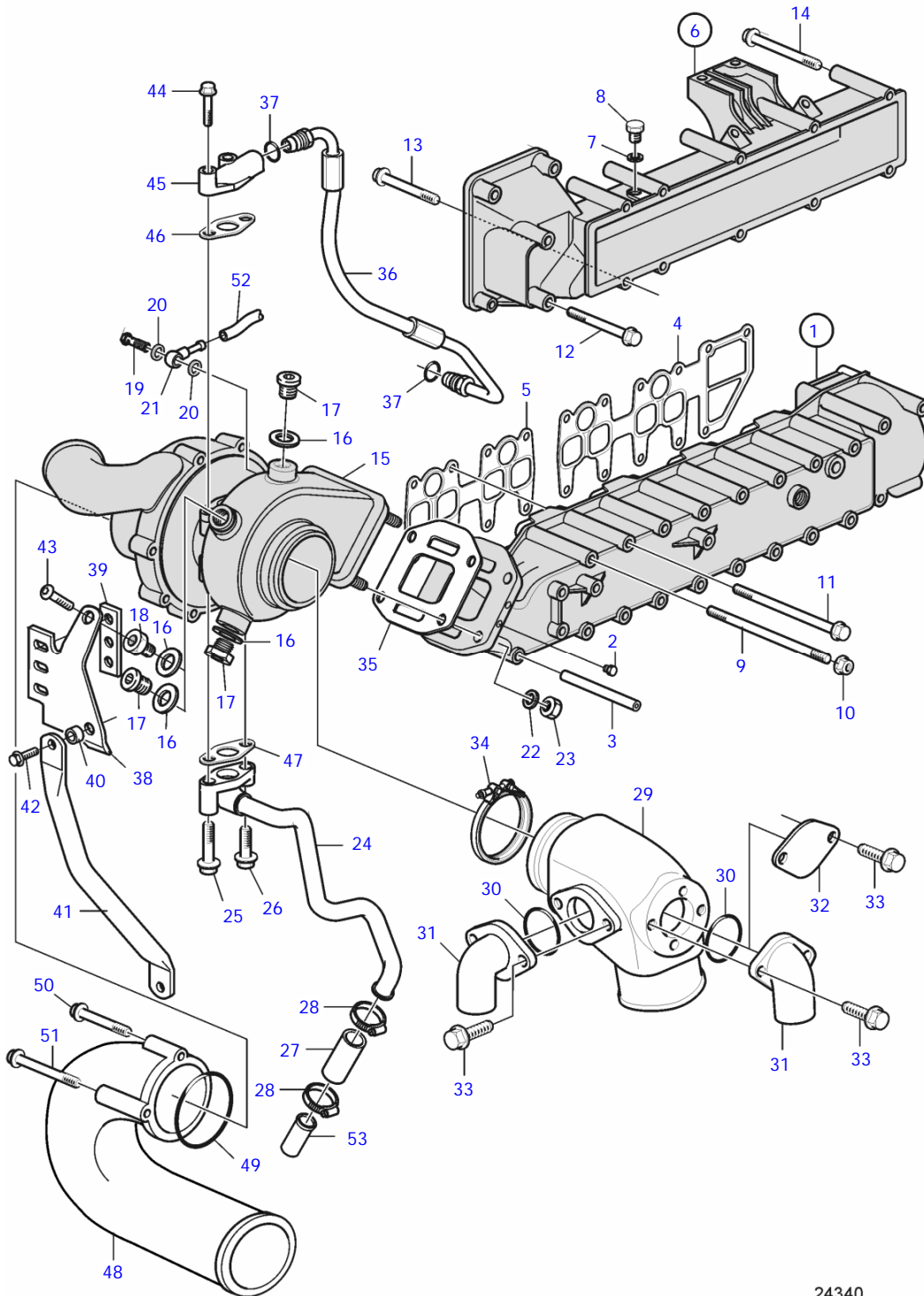


24339

D4-260A-A, D4-260A-B, D4-260A-C, D4-260A-D, D4-260D-B, D4-260D-C, D4-260D-D, D4-260I-A, D4-260I-B, D4-260I-C, D4-260I-D,
D4-260A-E, D4-260D-E, D4-260I-E

REF	PART NO.	QTY	DESCRIPTION	NOTES
1	889109	1	Exhaust manifold	Replaced by 3841197
	3841197	1	Exhaust manifold	
2	8131707	1	* Cap plug	Earlier prod., For 889109
3	479979	1	* Plug	
4	3583116	1	* Spring pin	
5	3583336	1	Gasket	
6	3582725	1	Gasket	
7	3808941	1	Inlet pipe	(3588032)
8	11994	1	* Gasket	
9	966142	1	* Plug	
10	948194	4	Stud	
11	945408	4	Flange nut	
12	968999	16	Flange screw	L=130mm
13	947760	2	Flange screw	
14	965184	9	Flange screw	L=100mm
15	965182	1	Flange screw	L=80mm
16	3802149	1	Turbocharger	
			* parts not sold separately	
17	947627	2	Gasket	
18	861551	1	Plug	
19	861646	2	Plug	
20	969299	1	Hollow screw	
21	11994	2	Gasket	
22	858750	1	Banjo nipple	
23	955895	4	Washer	
24	940183	4	Hexagon nut	
25	3582967	1	Oil return pipe	
26	948217	1	Flange screw	
27	945444	1	Flange screw	
28	466328	1	Rubber hose	
29	943474	2	Hose clamp	
30	3884701	1	Exhaust riser	(3583856)
31	969415	2	O-ring	
32	21450768	2	Connector	
33	3584006	1	Cover	
34	947542	4	Flange screw	
35	842993	1	V-band clamp	
36	3583335	1	Gasket	
37	3582968	1	Oil pressure pipe	Replaced by 40005392
	40005392	1	Oil pressure pipe	
38	976971	2	* O-ring	
39	3586073	1	Bracket	
40	(3586070)	1	* Nut retainer	Obsolete part
41	860699	1	Spacer sleeve	
42	3586071	1	Support	
43	946472	2	Flange screw	
44	946471	2	Flange screw	
45	947760	2	Flange screw	
46	8192268	1	Flange	
47	420641	1	Gasket	
48	860105	1	Gasket	
49	3812945	1	Connector	(888445)
50	949841	1	O-ring	
51	965180	1	Flange screw	
52	968842	2	Flange screw	
53	942700	X	Hose	L=600mm
54	3583622	1	Hose connection	

D4-300A-A, D4-300A-C, D4-300A-D, D4-300D-A, D4-300D-C, D4-300D-D, D4-300I-A, D4-300I-C, D4-300I-D, D4-300A-E, D4-300D-E, D4-300I-E

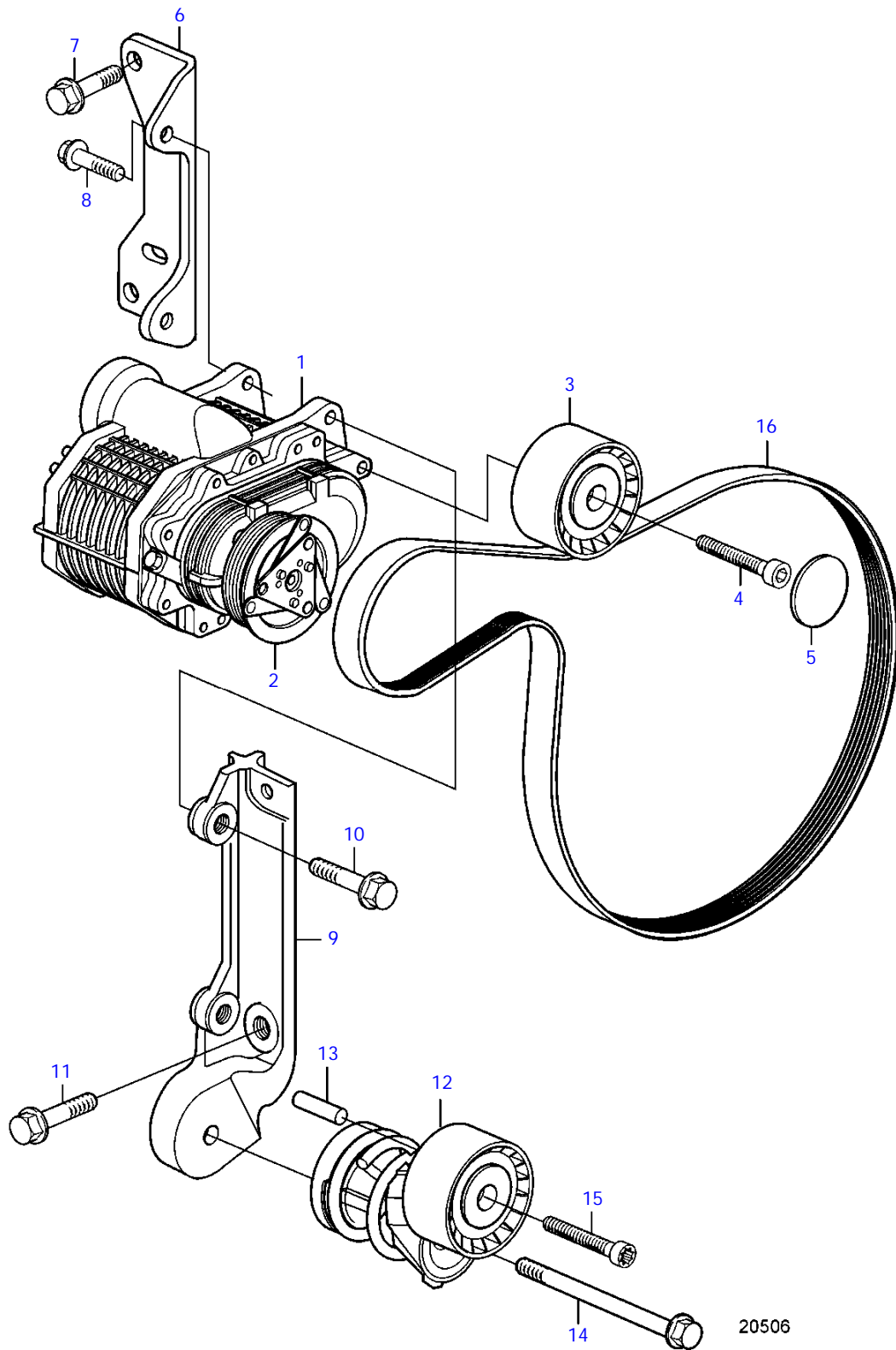


24340

D4-300A-A, D4-300A-C, D4-300A-D, D4-300D-A, D4-300D-C, D4-300D-D, D4-300I-A, D4-300I-C, D4-300I-D, D4-300A-E, D4-300D-E, D4-300I-E

REF	PART NO.	QTY	DESCRIPTION	NOTES
1	3841197	1	Exhaust manifold	
2	479979	1	* Plug	
3	3583116	1	* Spring pin	
4	3583336	1	Gasket	
5	3582725	1	Gasket	
6	3808941	1	Inlet pipe	
7	11994	1	* Gasket	
8	966142	1	* Plug	
9	948194	4	Stud	
10	945408	4	Flange nut	
11	968999	16	Flange screw	L=130mm
12	947760	2	Flange screw	
13	965184	9	Flange screw	L=100mm
14	965182	1	Flange screw	L=80mm
15	3801173	1	Turbocharger	
			* parts not sold separately	
16	947627	2	Gasket	
17	861551	1	Plug	
18	861646	2	Plug	
19	969299	1	Hollow screw	
20	11994	2	Gasket	
21	858750	1	Banjo nipple	
22	955895	4	Washer	
23	940183	4	Hexagon nut	
24	3582967	1	Oil return pipe	
25	948217	1	Flange screw	
26	945444	1	Flange screw	
27	466328	1	Rubber hose	
28	943474	2	Hose clamp	
29	3884701	1	Exhaust riser	
30	969415	2	O-ring	
31	21450768	2	Connector	
32	3584006	1	Cover	
33	947542	4	Flange screw	
34	842993	1	V-band clamp	
35	3583335	1	Gasket	
36	3582968	1	Oil pressure pipe	Replaced by 40005392
	40005392	1	Oil pressure pipe	
37	976971	2	* O-ring	
38	3586073	1	Bracket	
39	(3586070)	1	* Nut retainer	Obsolete part
40	860699	1	Spacer sleeve	
41	3586071	1	Support	
42	946472	2	Flange screw	
43	946471	2	Flange screw	
44	947760	2	Flange screw	
45	8192268	1	Flange	
46	420641	1	Gasket	
47	860105	1	Gasket	
48	3812945	1	Connector	
49	949841	1	O-ring	
50	965180	1	Flange screw	
51	968842	2	Flange screw	
52	942700	X	Hose	L=600mm
53	3583622	1	Hose connection	

D4-260A-A, D4-260A-B, D4-260A-C, D4-260A-D, D4-260D-B, D4-260D-C, D4-260D-D, D4-260A-E, D4-260D-E

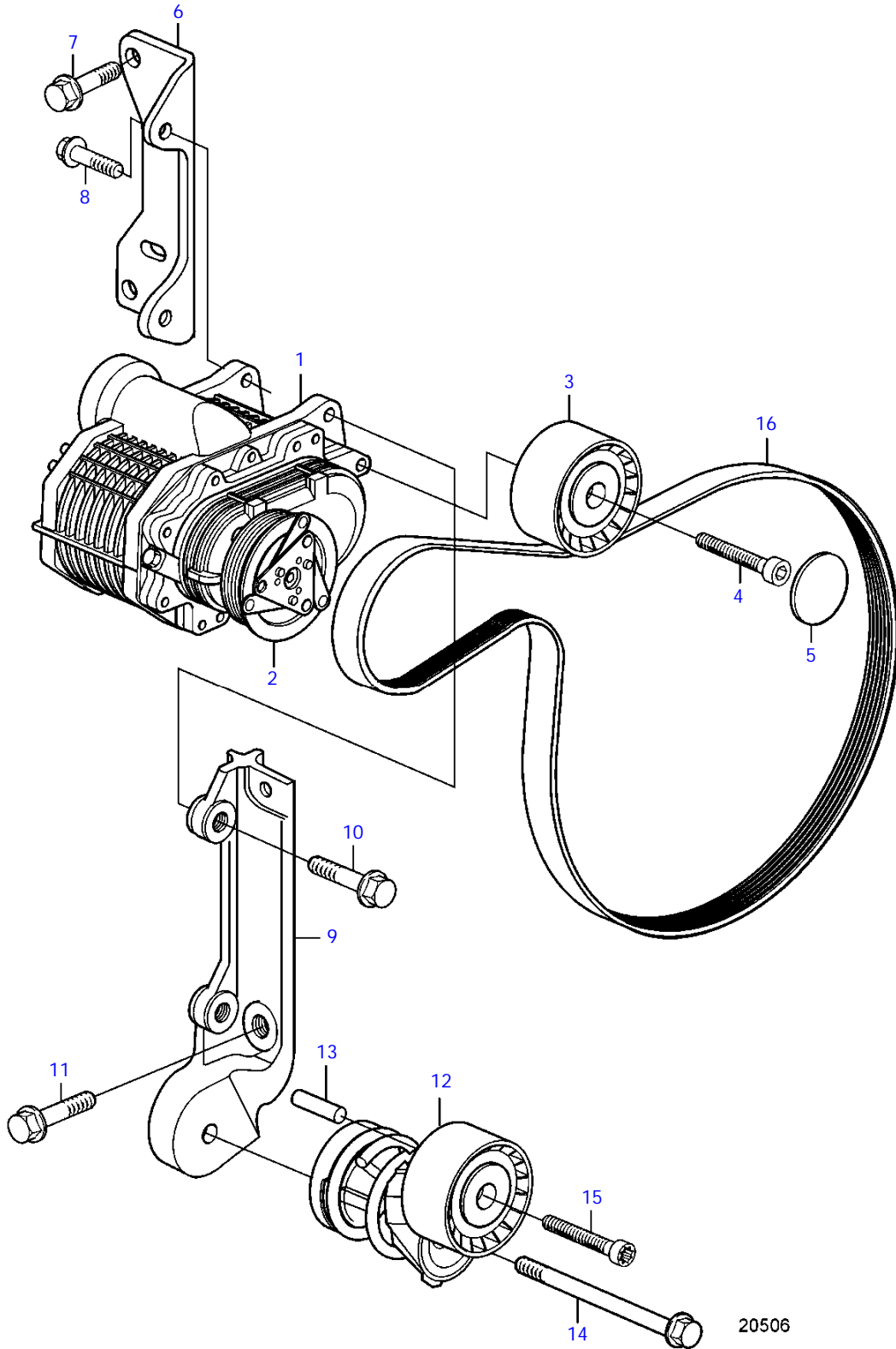


20506

D4-260A-A, D4-260A-B, D4-260A-C, D4-260A-D, D4-260D-B, D4-260D-C, D4-260D-D, D4-260A-E, D4-260D-E

REF	PART NO.	QTY	DESCRIPTION	SEE SEC.	NOTES
1	3803850	1	Compressor, exch		
2	3581724	1	Solenoid clutch		12V
3	3848896	1	Idler pulley		SN-2004017297, Replaced by 21280913
	21280913	1	Idler pulley		SN-2004017297
			* Installation Instruction 7749376	7749376-EN	Idler Pulley
3	3847482	1	Idler pulley		SN2004017298-
4	959224	1	Hex. socket screw		
5		1	Protecting cover		
6	3582971	1	Bracket		
7	946472	2	Flange screw		
8	946329	2	Flange screw		
9	3588069	1	Bracket		
10	965186	2	Flange screw		
11	946472	2	Flange screw		
12	21678750	1	Belt tensioner		
13	950542	1	Pin		
14	947790	1	Flange screw		
15		1	Allen head screw		
16	21407026	1	Belt		

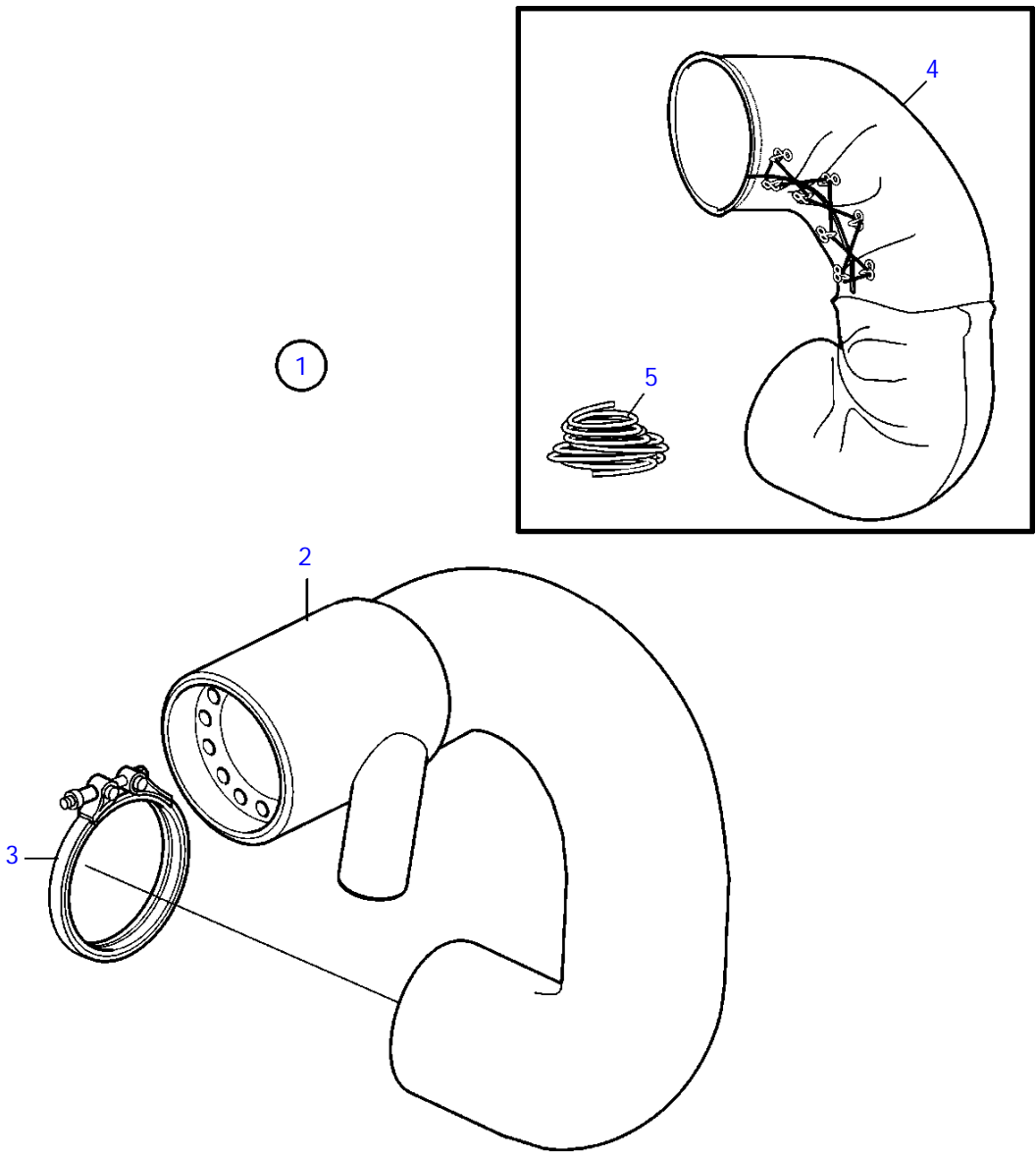
D4-300A-A, D4-300A-C, D4-300A-D, D4-300D-A, D4-300D-C, D4-300D-D, D4-300A-E, D4-300D-E



D4-300A-A, D4-300A-C, D4-300A-D, D4-300D-A, D4-300D-C, D4-300D-D, D4-300A-E, D4-300D-E

REF	PART NO.	QTY	DESCRIPTION	SEE SEC.	NOTES
1	3801174	1	Compressor, exch		
2	3888270	1	Pulley		12V
3	3848896	1	Idler pulley		SN-2004017297, Replaced by 21280913
	21280913	1	Idler pulley		SN-2004017297
			* Installation Instruction 7749376	7749376-EN	Idler Pulley
3	3847482	1	Idler pulley		SN2004017298-
4	959224	1	Hex. socket screw		
5		1	Protecting cover		
6	3582971	1	Bracket		
7	946472	2	Flange screw		
8	946329	2	Flange screw		
9	3588069	1	Bracket		
10	965186	2	Flange screw		
11	946472	2	Flange screw		
12	21678750	1	Belt tensioner		
13	950542	1	Pin		
14	947790	1	Flange screw		
15		1	Allen head screw		
16	21405493	1	Belt		

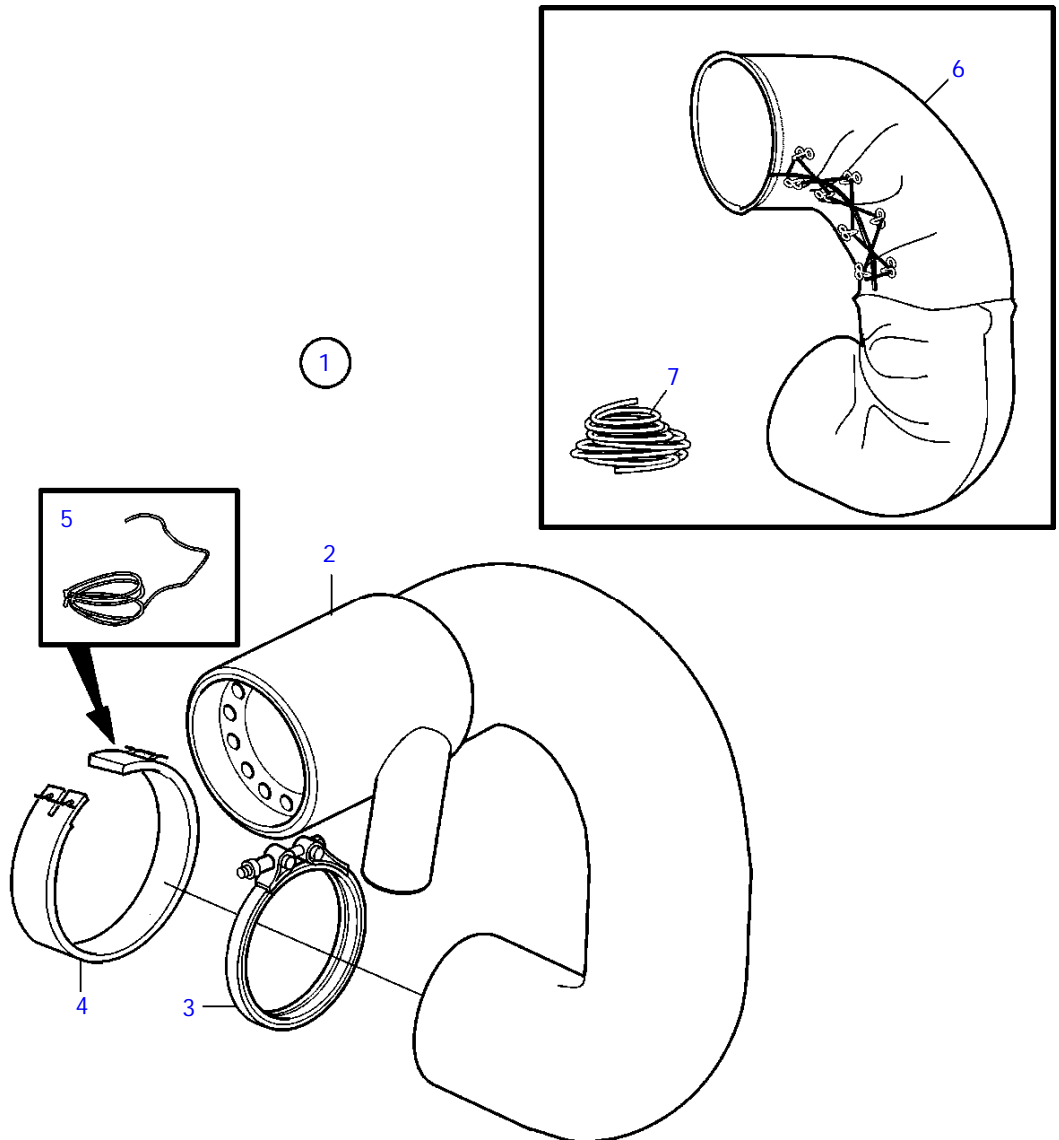
D4-180I-B, D4-210I-A, D4-210I-B, D4-225I-B, D4-260I-A, D4-260I-B, D4-300I-A



20829



D4-180I-B, D4-180I-C, D4-180I-D, D4-210I-A, D4-210I-B, D4-225I-B, D4-225I-C, D4-225I-D, D4-260I-A, D4-260I-B, D4-260I-C, D4-260I-D, D4-300I-A, D4-300I-C, D4-300I-D, D4-180I-E, D4-225I-E, D4-260I-E, D4-300I-E

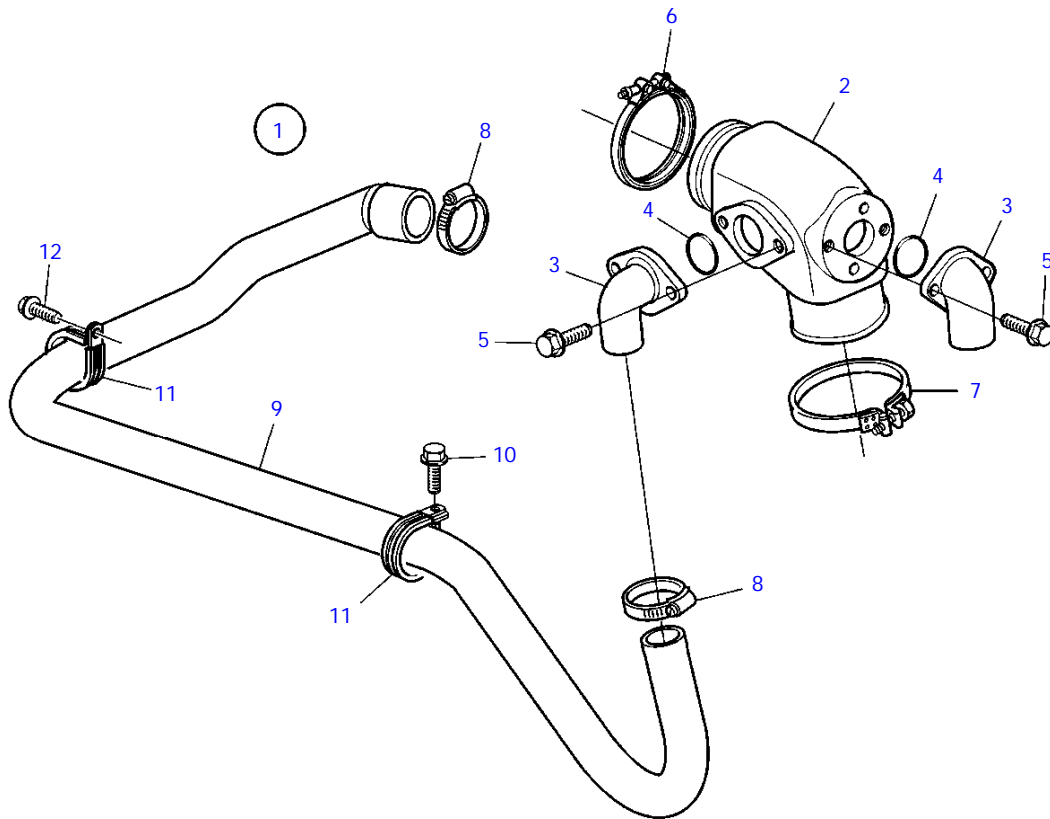


23628

D4-180I-B, D4-180I-C, D4-180I-D, D4-210I-A, D4-210I-B, D4-225I-B, D4-225I-C, D4-225I-D, D4-260I-A, D4-260I-B, D4-260I-C, D4-260I-D, D4-300I-A, D4-300I-C, D4-300I-D, D4-180I-E, D4-225I-E, D4-260I-E, D4-300I-E

REF	PART NO.	QTY	DESCRIPTION
1	3840665	1	Exhaust riser
2	3840610	1	* Exhaust riser
3	842993	1	* V-band clamp
4	3817198	1	* Isolation
5	941710	X	* Locking wire
6	3584486	1	* Isolation
7	941710	X	* Locking wire

D4-210A-A, D4-210A-B, D4-225A-B, D4-225A-C, D4-225A-D, D4-260A-A, D4-260A-B, D4-260A-C, D4-260A-D, D4-300A-A, D4-300A-C, D4-300A-D, D4-225A-E, D4-260A-E, D4-300A-E

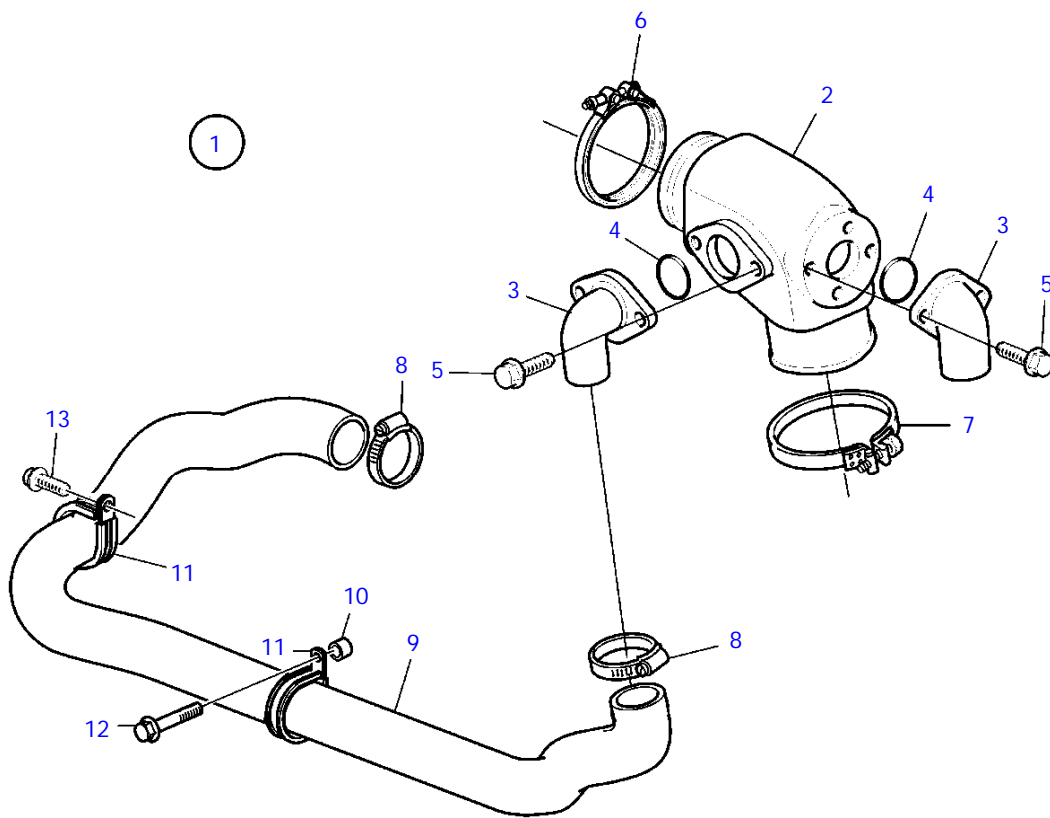


21970

D4-210A-A, D4-210A-B, D4-225A-B, D4-225A-C, D4-225A-D, D4-260A-A, D4-260A-B, D4-260A-C, D4-260A-D, D4-300A-A, D4-300A-C, D4-300A-D, D4-225A-E, D4-260A-E, D4-300A-E

REF	PART NO.	QTY	DESCRIPTION	NOTES
1	(3817826)	1	Exhaust pipe kit	(888102), Obsolete part
2	3884701	1	* Exhaust riser	(3583856)
3	3819016	2	* Connector	(3583915)
4	969415	2	* O-ring	
5	947542	4	* Flange screw	
6	842993	1	* V-band clamp	
7	3817484	1	* Hose clamp	
8	961671	3	* Hose clamp	
9	3817234	1	* Hose	
10	946440	2	* Flange screw	
11	969354	2	* Clamp	
12	945408	2	* Flange nut	

D4-210A-A, D4-210A-B, D4-225A-B, D4-225A-C, D4-225A-D, D4-260A-A, D4-260A-B, D4-260A-C, D4-260A-D, D4-300A-A, D4-300A-C, D4-300A-D, D4-225A-E, D4-260A-E, D4-300A-E

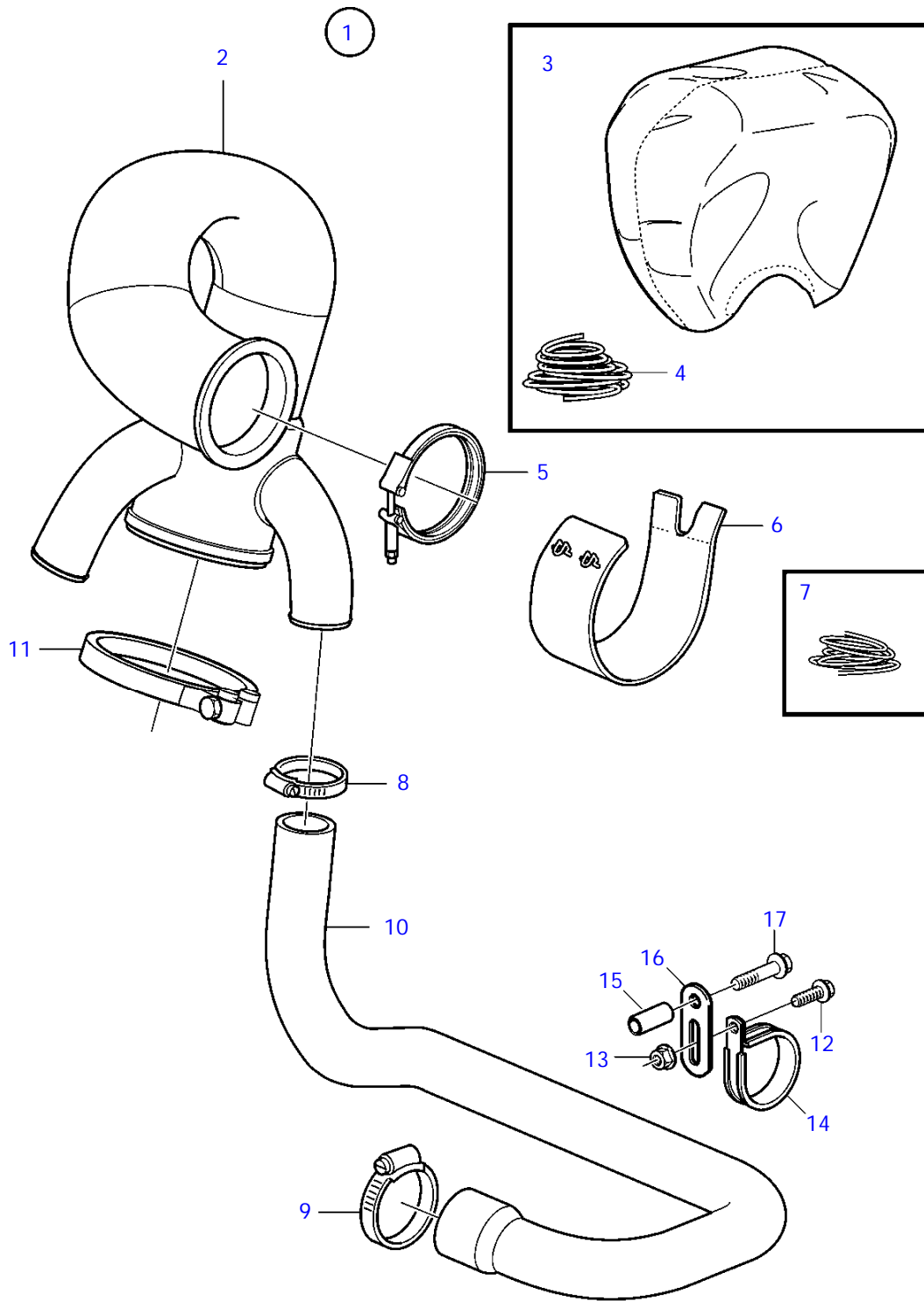


25628

D4-210A-A, D4-210A-B, D4-225A-B, D4-225A-C, D4-225A-D, D4-260A-A, D4-260A-B, D4-260A-C, D4-260A-D, D4-300A-A, D4-300A-C, D4-300A-D, D4-225A-E, D4-260A-E, D4-300A-E

REF	PART NO.	QTY	DESCRIPTION
1	21187501	1	Exhaust pipe kit
2		1	* Exhaust riser
3	21450768	2	* Connector
4	969415	2	* O-ring
5	947542	4	* Flange screw
6	21325765	1	* V-band clamp
7	3817484	1	* Hose clamp
8	961671	3	* Hose clamp
9	40005128	1	* Hose
10	980935	1	* Spacer sleeve
11	969354	2	* Clamp
12	973924	1	* Flange screw
13	946440	2	* Flange screw

D4-210A-A, D4-210A-B, D4-225A-B, D4-225A-C, D4-225A-D, D4-225A-E, D4-260A-A, D4-260A-B, D4-260A-C, D4-260A-D, D4-300A-A, D4-300A-C, D4-300A-D, D4-225A-E, D4-260A-E, D4-300A-E



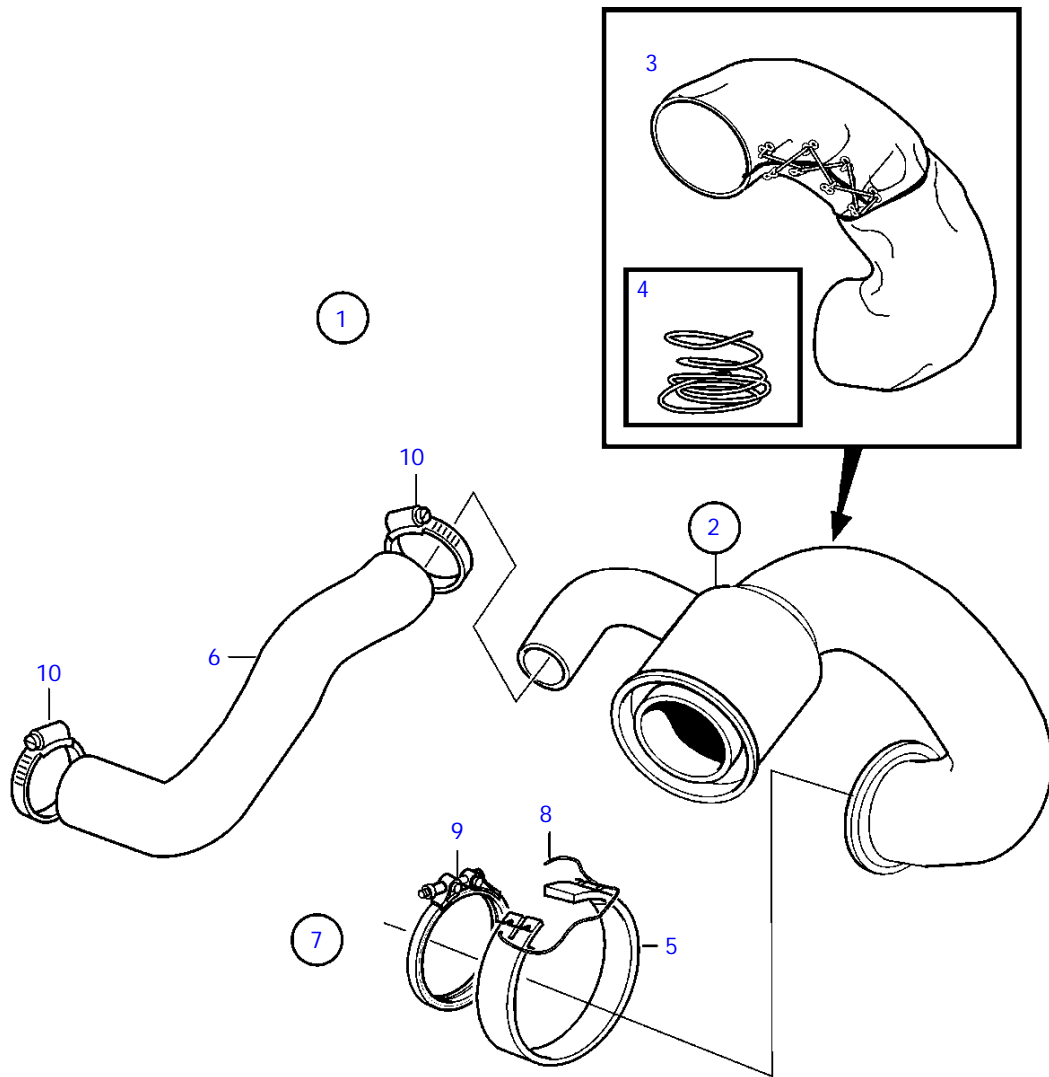
25142

D4-210A-A, D4-210A-B, D4-225A-B, D4-225A-C, D4-225A-D, D4-260A-A, D4-260A-B, D4-260A-C, D4-260A-D, D4-300A-A, D4-300A-C, D4-300A-D, D4-225A-E, D4-260A-E, D4-300A-E

REF	PART NO.	QTY	DESCRIPTION	NOTES
1	(21187490)	1	Exhaust riser	Obsolete part
2	3840608	1	* Exhaust riser	
3	3584485	1	* Isolation	
4	941710	X	* Locking wire	1000mm
5	21325765	1	* V-band clamp	
6	3817198	1	* Isolation	
7	941710	X	* Locking wire	400mm
8	961670	1	* Hose clamp	
9	961671	1	* Hose clamp	
10	40005132	1	* Hose	
11	3817484	1	* Hose clamp	
12	946440	1	* Flange screw	
13	945408	1	* Flange nut	
14	973944	1	* Clamp	
15	980935	1	* Spacer sleeve	
16	965534	1	* Bracket	
17	973924	1	* Flange screw	



D4-260D-B, D4-260D-C, D4-260D-D, D4-300D-A, D4-300D-C, D4-300D-D, D4-260D-E, D4-300D-E



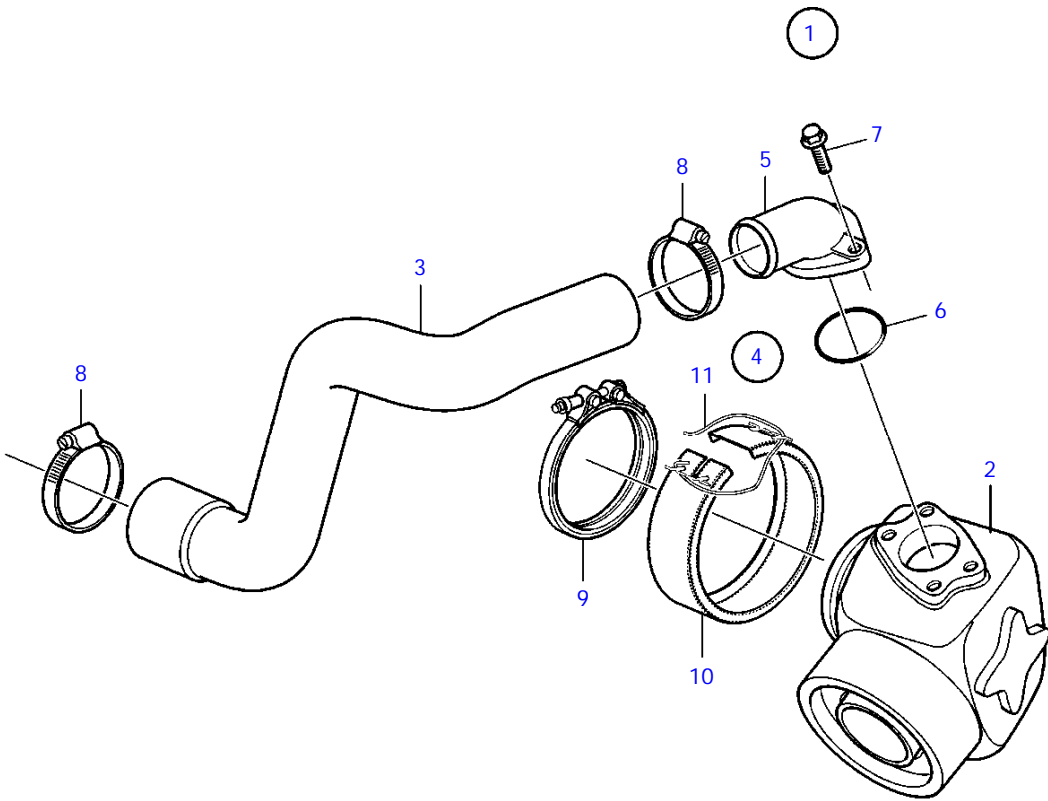
23270

D4-260D-B, D4-260D-C, D4-260D-D, D4-300D-A, D4-300D-C, D4-300D-D, D4-260D-E, D4-300D-E
--

REF	PART NO.	QTY	DESCRIPTION	NOTES
1	(3887041)	1	Exhaust riser	Obsolete part
2	3884444	1	• Exhaust riser	
3	3584486		• • Isolation	
4		X	• • Locking wire	
5	3817198	1	• Isolation	
6	3809100	1	• Hose	
7	(3887043)	1	• Kit	Obsolete part
8	941710	X	• • Locking wire	
9	842993	1	• • V-band clamp	
10	961672	2	• • Hose clamp	



D4-300D-A, D4-300D-C, D4-300D-D, D4-300D-E

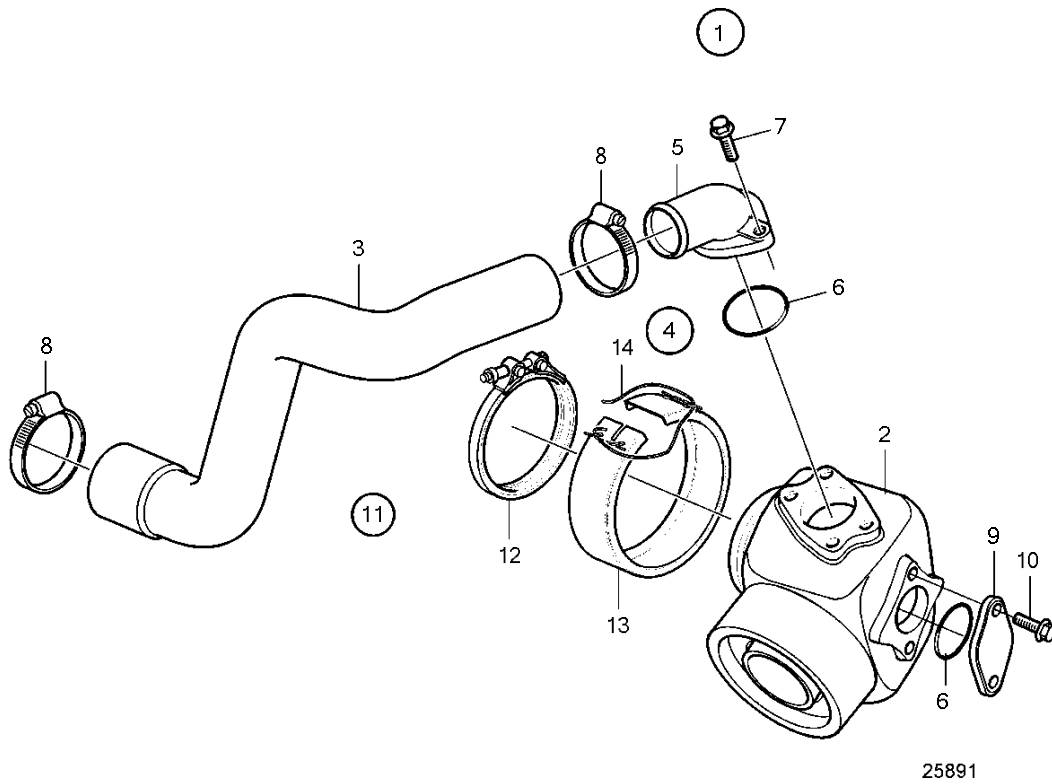


23974

D4-300D-A, D4-300D-C, D4-300D-D, D4-300D-E

REF	PART NO.	QTY	DESCRIPTION	NOTES
1	3887040	1	Exhaust pipe kit	
2	3847893	1	* Exhaust riser	
3	3809100	1	* Hose	
4		1	* Kit	
5	21450768	1	* * Connector	
6	969415	1	* * O-ring	
7	947542	2	* * Flange screw	
8	961672	2	* * Hose clamp	
9	842993	1	* * V-band clamp	
10	3817198	1	Isolation	
11	941710	X	Locking wire	L=400mm

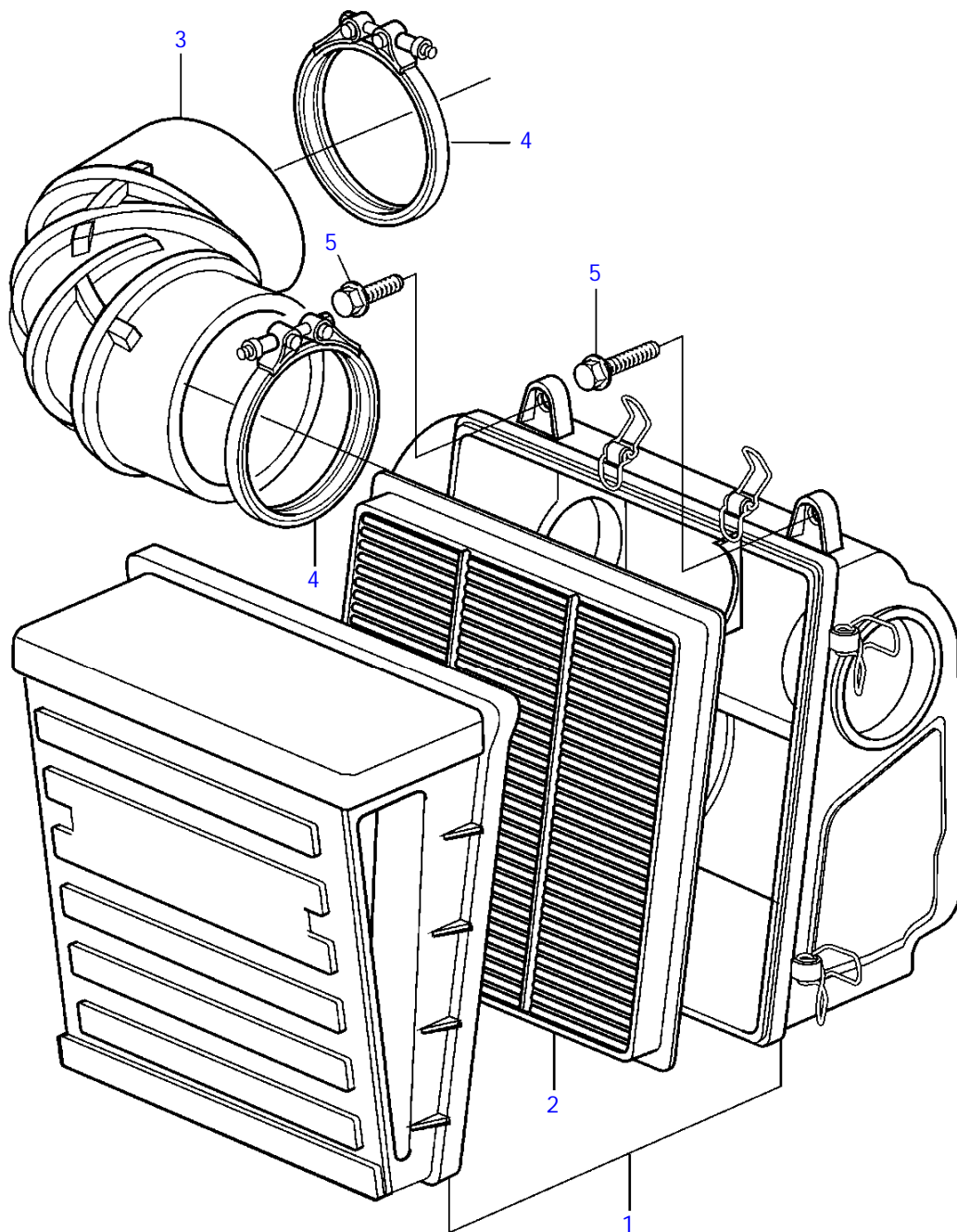
D4-300D-A, D4-300D-C, D4-300D-D, D4-300D-E



D4-300D-A, D4-300D-C, D4-300D-D, D4-300D-E

REF	PART NO.	QTY	DESCRIPTION
1		1	Exhaust pipe
2	3841510	1	* Exhaust riser
3	3809100	1	* Hose
4		1	* Kit
5	21450768	1	* * Connector
6	969415	2	* * O-ring
7	947542	2	* * Flange screw
8	961672	2	* * Hose clamp
9	3584006	1	* * Cover
10	946934	2	* * Flange screw
11		1	* Kit
12	21325767	1	* * V-band clamp
13	3817196	1	* * Isolation
14	941710	1	* * Locking wire

D4-180I-B, D4-180I-C, D4-180I-D, D4-210A-A, D4-210A-B, D4-210I-A, D4-210I-B, D4-225I-B, D4-225I-C, D4-225I-D,
D4-260D-B, D4-260D-C, D4-260D-D, D4-260I-A, D4-260I-B, D4-260I-C, D4-260I-D, D4-300I-A, D4-300I-C, D4-300I-D,
D4-180I-E, D4-225I-E, D4-260D-E, D4-260I-E, D4-300I-E



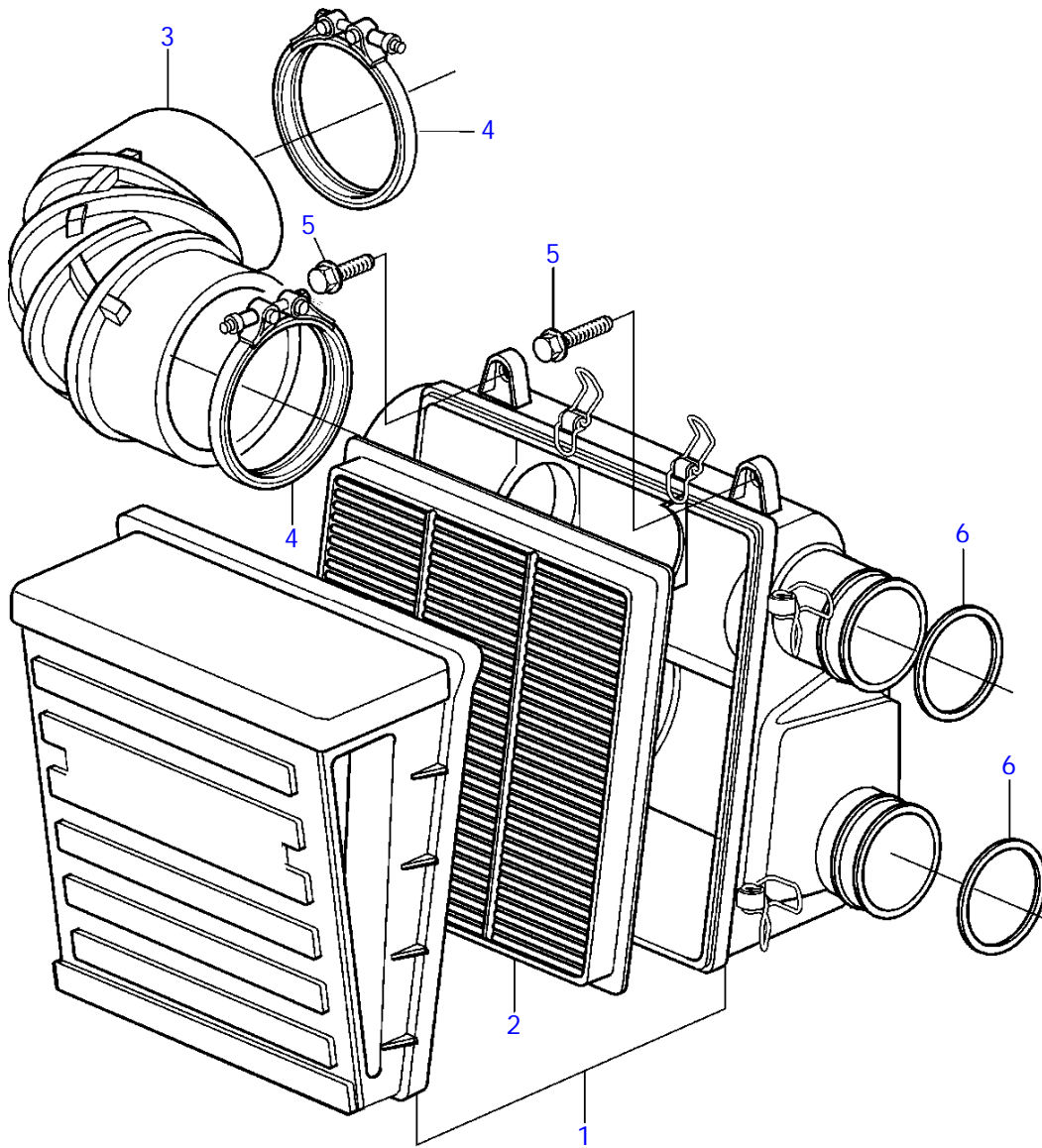
19897

D4-180I-B, D4-180I-C, D4-180I-D, D4-210A-A, D4-210A-B, D4-210I-A, D4-210I-B, D4-225I-B, D4-225I-C, D4-225I-D, D4-260D-B, D4-260D-C, D4-260D-D, D4-260I-A, D4-260I-B, D4-260I-C, D4-260I-D, D4-300I-A, D4-300I-C, D4-300I-D, D4-180I-E, D4-225I-E, D4-260D-E, D4-260I-E, D4-300I-E

REF	PART NO.	QTY	DESCRIPTION	NOTES
1	3583854	1	Air cleaner	Replaced by 3818355 (3583654)
	3818355	1	Air filter	
2	3818541	1	Insert	
3	3584004	1	Hose	
4	982694	2	Hose clamp	
5	945444	2	Flange screw	



D4-225A-B, D4-225A-C, D4-225A-D, D4-260A-A, D4-260A-B, D4-260A-C, D4-260A-D, D4-260D-B, D4-260D-C, D4-260D-D,
D4-300A-A, D4-300A-C, D4-300A-D, D4-300D-A, D4-300D-C, D4-300D-D, D4-225A-E, D4-260A-E, D4-260D-E, D4-300A-E,
D4-300D-E

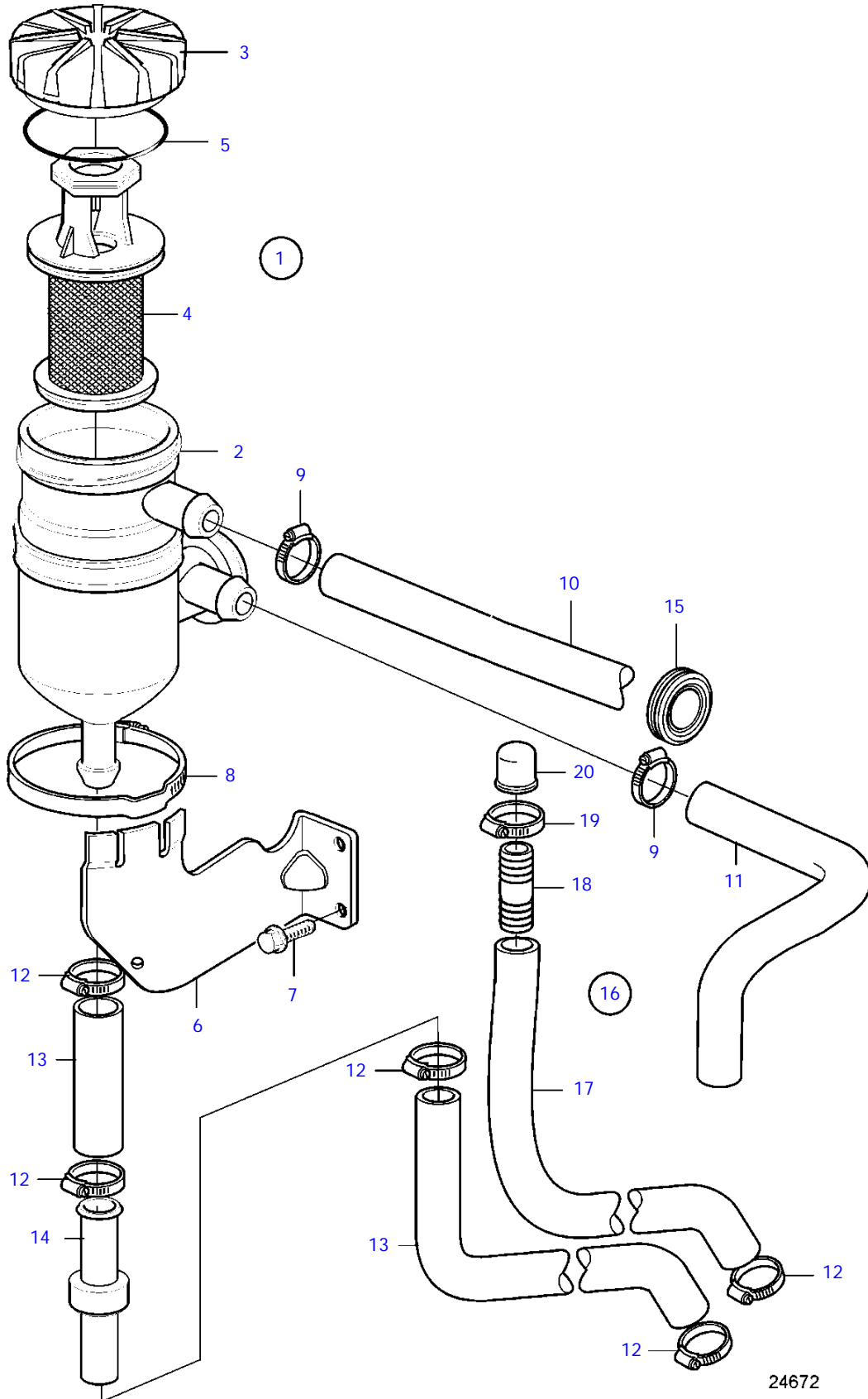


20670

D4-225A-B, D4-225A-C, D4-225A-D, D4-260A-A, D4-260A-B, D4-260A-C, D4-260A-D, D4-260D-B, D4-260D-C, D4-260D-D, D4-300A-A, D4-300A-C, D4-300A-D, D4-300D-A, D4-300D-C, D4-300D-D, D4-225A-E, D4-260A-E, D4-260D-E, D4-300A-E, D4-300D-E

REF	PART NO.	QTY	DESCRIPTION	NOTES
1	3582726	1	Air cleaner	
	3817476	1	Air filter	Replaced by 3817476
2	3818541	1	Insert	(3583654)
3	3587119	1	Hose	
4	982694	2	Hose clamp	
5	945444	2	Flange screw	
6	864722	2	Sealing ring	Earlier production

D4-180I-B, D4-180I-C, D4-180I-D, D4-210A-A, D4-210A-B, D4-210I-A, D4-210I-B, D4-225A-B, D4-225A-C, D4-225A-D, D4-225I-B, D4-225I-C, D4-225I-D, D4-260A-A, D4-260A-B, D4-260A-C, D4-260A-D, D4-260D-B, D4-260D-C, D4-260D-D, D4-260I-A, D4-260I-B, D4-260I-C, D4-260I-D, D4-300A-A, D4-300A-C, D4-300A-D, D4-300D-A, D4-300D-C, D4-300D-D, D4-300I-A, D4-300I-C, D4-300I-D, D4-180I-E, D4-225A-E, D4-225I-E, D4-260A-E, D4-260D-E, D4-260I-E, D4-300A-E, D4-300D-E, D4-300I-E

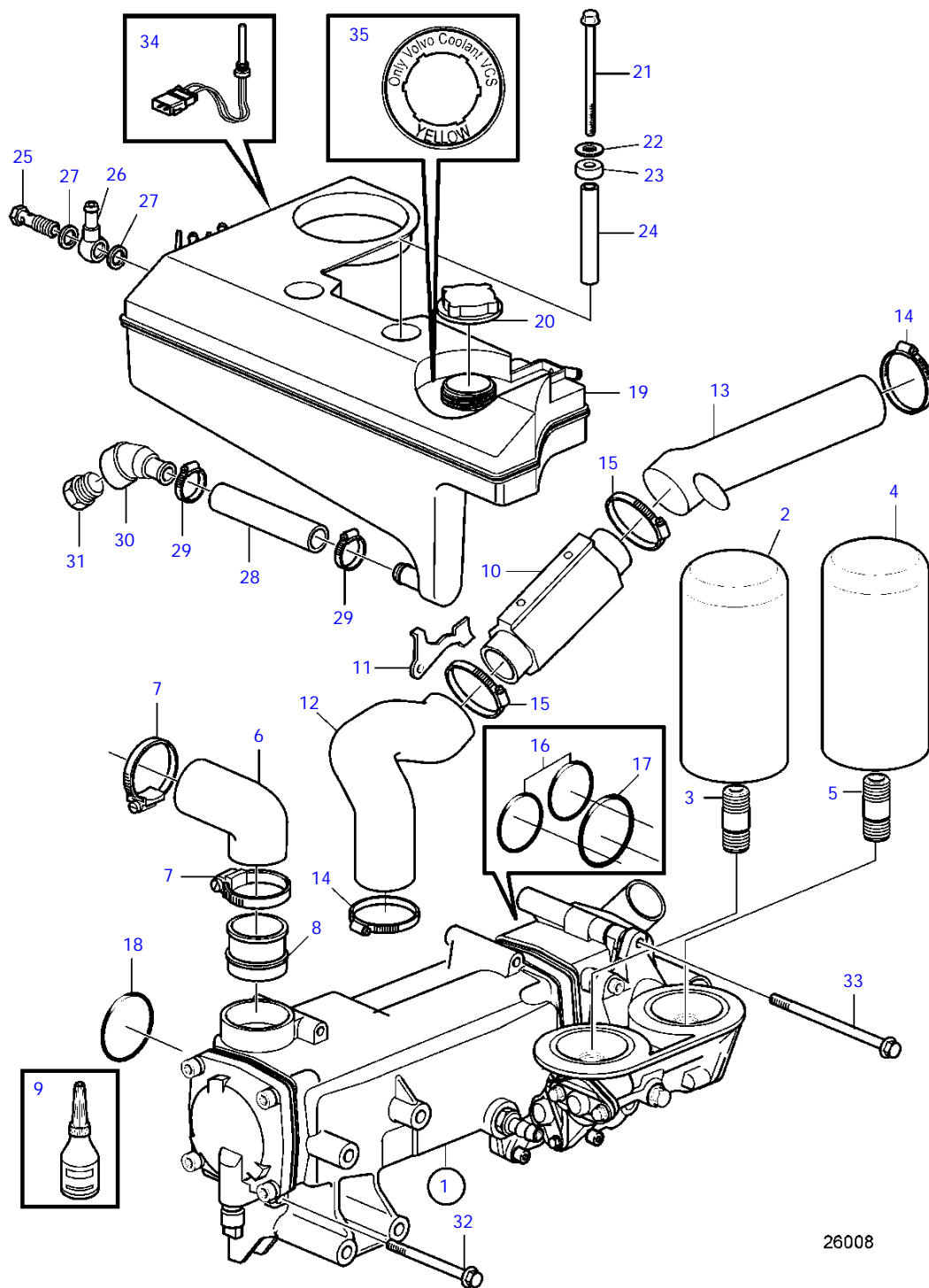


24672

D4-180I-B, D4-180I-C, D4-180I-D, D4-210A-A, D4-210A-B, D4-210I-A, D4-210I-B, D4-225A-B, D4-225A-C, D4-225A-D, D4-225I-B, D4-225I-C, D4-225I-D, D4-260A-A, D4-260A-B, D4-260A-C, D4-260A-D, D4-260D-B, D4-260D-C, D4-260D-D, D4-260I-A, D4-260I-B, D4-260I-C, D4-260I-D, D4-300A-A, D4-300A-C, D4-300A-D, D4-300D-A, D4-300D-C, D4-300D-D, D4-300I-A, D4-300I-C, D4-300I-D, D4-180I-E, D4-225A-E, D4-225I-E, D4-260A-E, D4-260D-E, D4-260I-E, D4-300A-E, D4-300D-E, D4-300I-E

REF	PART NO.	QTY	DESCRIPTION	NOTES
1	3584144	1	Filter	
2		1	* Reservoir	
3		1	* Lock	
4	3584145	1	* Insert	
5	3584461	1	* O-ring	
6	3586115	1	Bracket	
7	946440	2	Flange screw	
8	3586117	1	Hose clamp	
9	943474	2	Hose clamp	
10	3588926	1	Hose	
11	3584139	1	Hose	
12	943471	5	Hose clamp	
13	3849236	1	Hose assembly	Order also non retur valve and hose clamp.. (3885542)
14	3887102	1	Check valve	
15	984951	1	Grommet	
16	3849236	1	Hose assembly	
17	3885542	1	* Hose	
18	991127	1	* Hose nipple	
19	978174	1	* Hose clamp	
20	842235	1	* Cardboard tube	

D4-210A-A, D4-210I-A, D4-260A-A, D4-260I-A

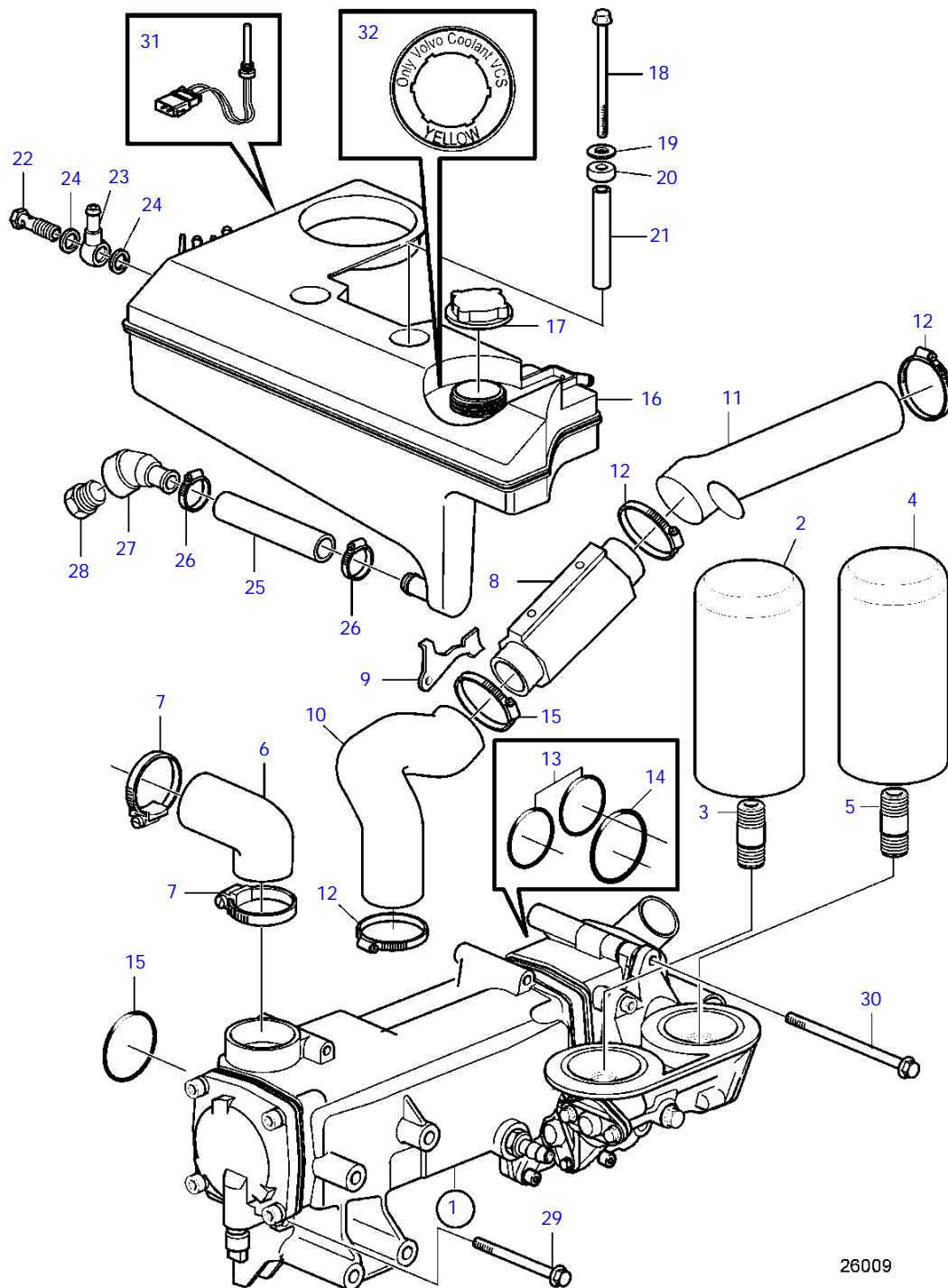


26008

D4-210A-A, D4-210I-A, D4-260A-A, D4-260I-A

REF	PART NO.	QTY	DESCRIPTION	SEE SEC.	NOTES
1	3582298	1	Heat exchanger		Replaced by 3812563
	3812563	1	* Heat exchanger	6535	
				8164	
2	21632901	1	Oil filter		By pass
3	423067	1	Nipple		
4	3582732	1	Oil filter		Full flow.
			* Bulletin P-18-3-4	P-18-3-4-EN	Return of Oil Filter
5	3583695	1	Nipple		
6	3808093	1	Hose	7043	Included in kit 3818868., (3582929)
7	961672	2	Hose clamp	7043	Included in kit 3818868.
8	3808092	1	Pipe connection	7043	Included in kit 3818868.
9	1161370	1	Adhesive	7043	Included in kit 3818868., 50ml
10	3583818	1	Fuel cooler		
11	3583819	1	Bracket		
12	3583009	1	Hose		
13	3583011	1	Hose		
14	943478	2	Hose clamp		
15	943479	2	Hose clamp		
16	949722	2	O-ring		
17	976041	1	O-ring		
18	969415	1	O-ring		
19	3887582	1	Expansion tank		(3584072)
20	1674083	1	Pressure cap		
21	965184	2	Flange screw		L=100mm
22	976944	2	Washer		
23	3285120	2	Grommet		
24	3583863	2	Spacer sleeve		
25	969299	1	Hollow screw		
26	858750	1	Banjo nipple		
27	11994	2	Gasket		
28	952969	1	Hose		
29	943472	2	Hose clamp		
30	3808586	1	T-nipple		(3584237)
31	479956	1	Plug		
32	965184	4	Flange screw		
33	968893	1	Flange screw		
34	3547710	1	Level guard		
35	21506995	1	Label		

D4-180I-B, D4-210A-A, D4-210A-B, D4-210I-A, D4-210I-B, D4-225A-B, D4-225I-B, D4-260A-A, D4-260A-B, D4-260D-B, D4-260I-A, D4-260I-B, D4-300A-A, D4-300D-A, D4-300I-A

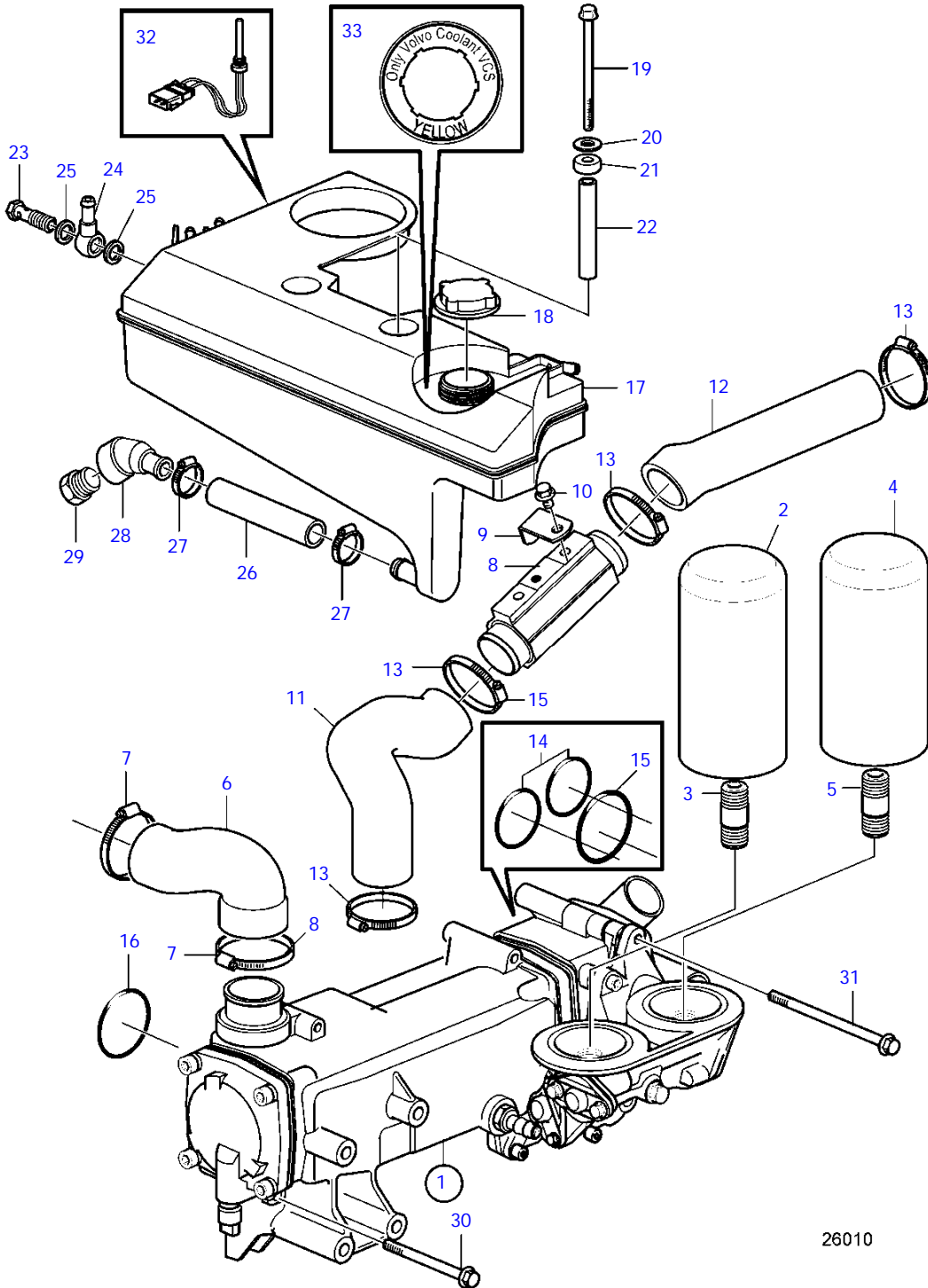


26009

D4-180I-B, D4-210A-A, D4-210A-B, D4-210I-A, D4-210I-B, D4-225A-B, D4-225I-B, D4-260A-A, D4-260A-B, D4-260D-B, D4-260I-A, D4-260I-B, D4-300A-A, D4-300D-A, D4-300I-A

REF	PART NO.	QTY	DESCRIPTION	SEE SEC.	NOTES
1	3812563	1	Heat exchanger		Replaced by 40005711
			*	8164	
	40005711	1	Heat exchanger		
			*	35207	
2	21632901	1	Oil filter		By pass
3	423067	1	Nipple		
4	3582732	1	Oil filter		Full flow.
			* Bulletin P-18-3-4	P-18-3-4-EN	Return of Oil Filter
5	3583695	1	Nipple		
6	3808093	1	Hose		(3582929)
7	961672	2	Hose clamp		
8	40005787	1	Fuel cooler		(3583818)
9	3583819	1	Bracket		
10	3583009	1	Hose		
11	3583011	1	Hose		
12	943479	4	Hose clamp		
13	949722	2	O-ring		
14	976041	1	O-ring		
15	969415	1	O-ring		
16	3887582	1	Expansion tank		(3584072)
17	1674083	1	Pressure cap		
18	965184	2	Flange screw		L=100mm
19	976944	2	Washer		
20	3285120	2	Grommet		
21	3583863	2	Spacer sleeve		
22	969299	1	Hollow screw		
23	858750	1	Banjo nipple		
24	11994	2	Gasket		
25	952969	1	Hose		
26	943472	2	Hose clamp		
27	3808586	1	T-nipple		(3584237)
28	479956	1	Plug		
29	3547710	1	Level guard		
30	965184	4	Flange screw		
31	968893	1	Flange screw		
32	21506995	1	Label		

D4-180I-B, D4-180I-C, D4-180I-D, D4-210A-A, D4-210A-B, D4-210I-A, D4-210I-B, D4-225A-B, D4-225A-C, D4-225A-D, D4-225I-B, D4-225I-C, D4-225I-D, D4-260A-A, D4-260A-B, D4-260A-C, D4-260A-D, D4-260D-B, D4-260D-C, D4-260D-D, D4-260I-A, D4-260I-B, D4-260I-C, D4-260I-D, D4-300A-A, D4-300A-C, D4-300A-D, D4-300D-A, D4-300D-C, D4-300D-D, D4-300I-A, D4-300I-C, D4-300I-D, D4-180I-E, D4-225A-E, D4-225I-E, D4-260A-E, D4-260D-E, D4-260I-E, D4-300A-E, D4-300D-E, D4-300I-E

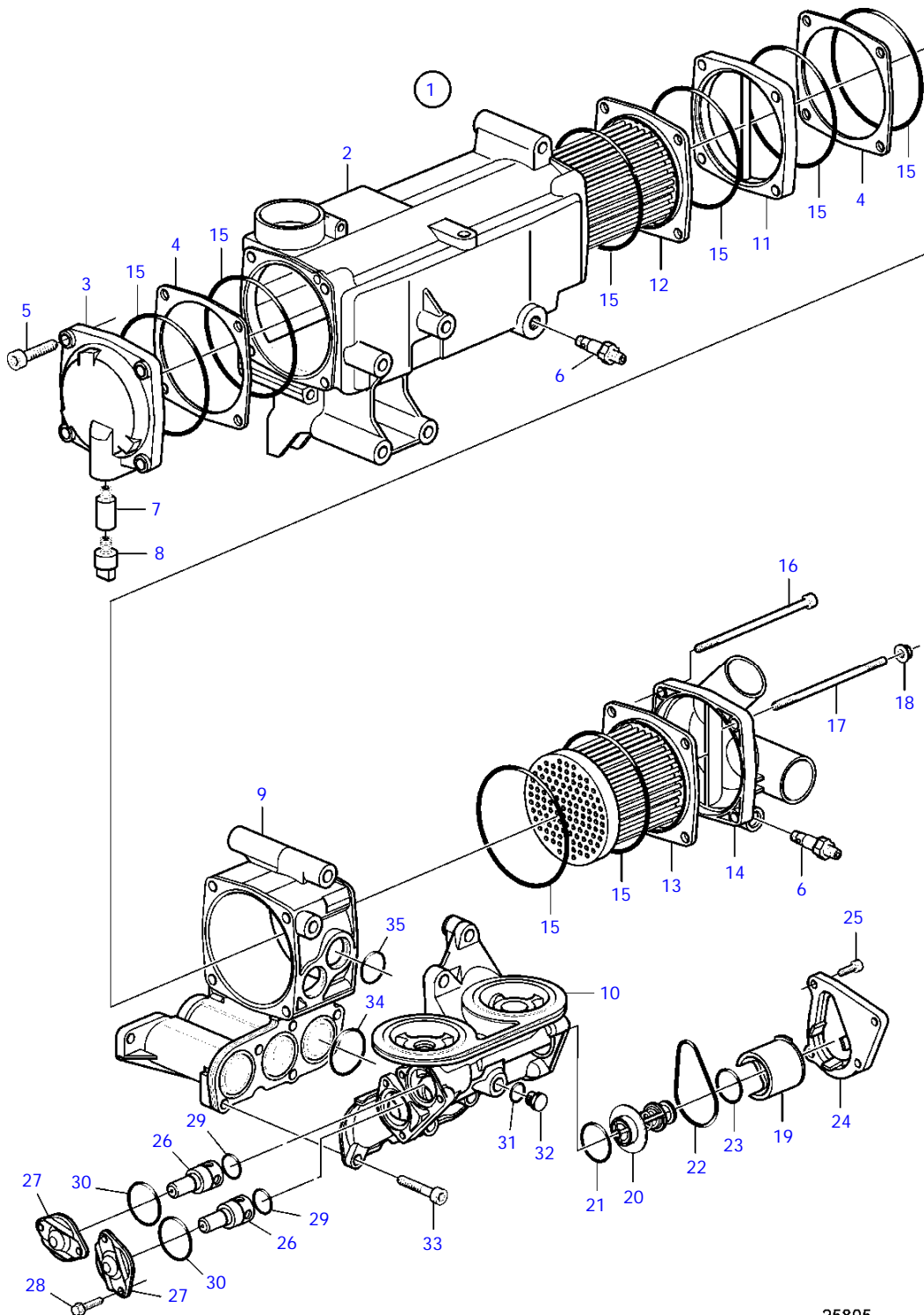


26010

D4-180I-B, D4-180I-C, D4-180I-D, D4-210A-A, D4-210A-B, D4-210I-A, D4-210I-B, D4-225A-B, D4-225A-C, D4-225A-D, D4-225I-B, D4-225I-C, D4-225I-D, D4-260A-A, D4-260A-B, D4-260A-C, D4-260A-D, D4-260D-B, D4-260D-C, D4-260D-D, D4-260I-A, D4-260I-B, D4-260I-C, D4-260I-D, D4-300A-A, D4-300A-C, D4-300A-D, D4-300D-A, D4-300D-C, D4-300D-D, D4-300I-A, D4-300I-C, D4-300I-D, D4-180I-E, D4-225A-E, D4-225I-E, D4-260A-E, D4-260D-E, D4-260I-E, D4-300A-E, D4-300D-E, D4-300I-E

REF	PART NO.	QTY	DESCRIPTION	SEE SEC.	NOTES
1	40005711	1	Heat exchanger		
			*	35207	
2	21632901	1	Oil filter		By pass
3	423067	1	Nipple		
4	3582732	1	Oil filter		Full flow.
			* Bulletin P-18-3-4	P-18-3-4-EN	Return of Oil Filter
5	3583695	1	Nipple		
6	3808093	1	Hose		(3582929)
7	961672	2	Hose clamp		
8	40005787	1	Fuel cooler		
9	21107541	1	Bracket		
10	946025	1	Flange screw		
11	3888922	1	Hose		
12	3583011	1	Hose		
13	943479	4	Hose clamp		
14	949722	2	O-ring		
15	976041	1	O-ring		
16	969415	1	O-ring		
17	3887582	1	Expansion tank		(3584072)
18	1674083	1	Pressure cap		
19	965184	2	Flange screw		L=100mm
20	976944	2	Washer		
21	3285120	2	Grommet		
22	3583863	2	Spacer sleeve		
23	969299	1	Hollow screw		
24	858750	1	Banjo nipple		
25	11994	2	Gasket		
26	952969	1	Hose		
27	943472	2	Hose clamp		
28	3808586	1	T-nipple		(3584237)
29	479956	1	Plug		
30	965184	4	Flange screw		
31	968893	1	Flange screw		
32	3547710	1	Level guard		
33	21506995	1	Label		

D4-180I-B, D4-210A-A, D4-210A-B, D4-210I-A, D4-210I-B, D4-225A-B, D4-225I-B, D4-260A-A, D4-260A-B, D4-260D-B, D4-260I-A, D4-260I-B, D4-300A-A, D4-300D-A, D4-300I-A

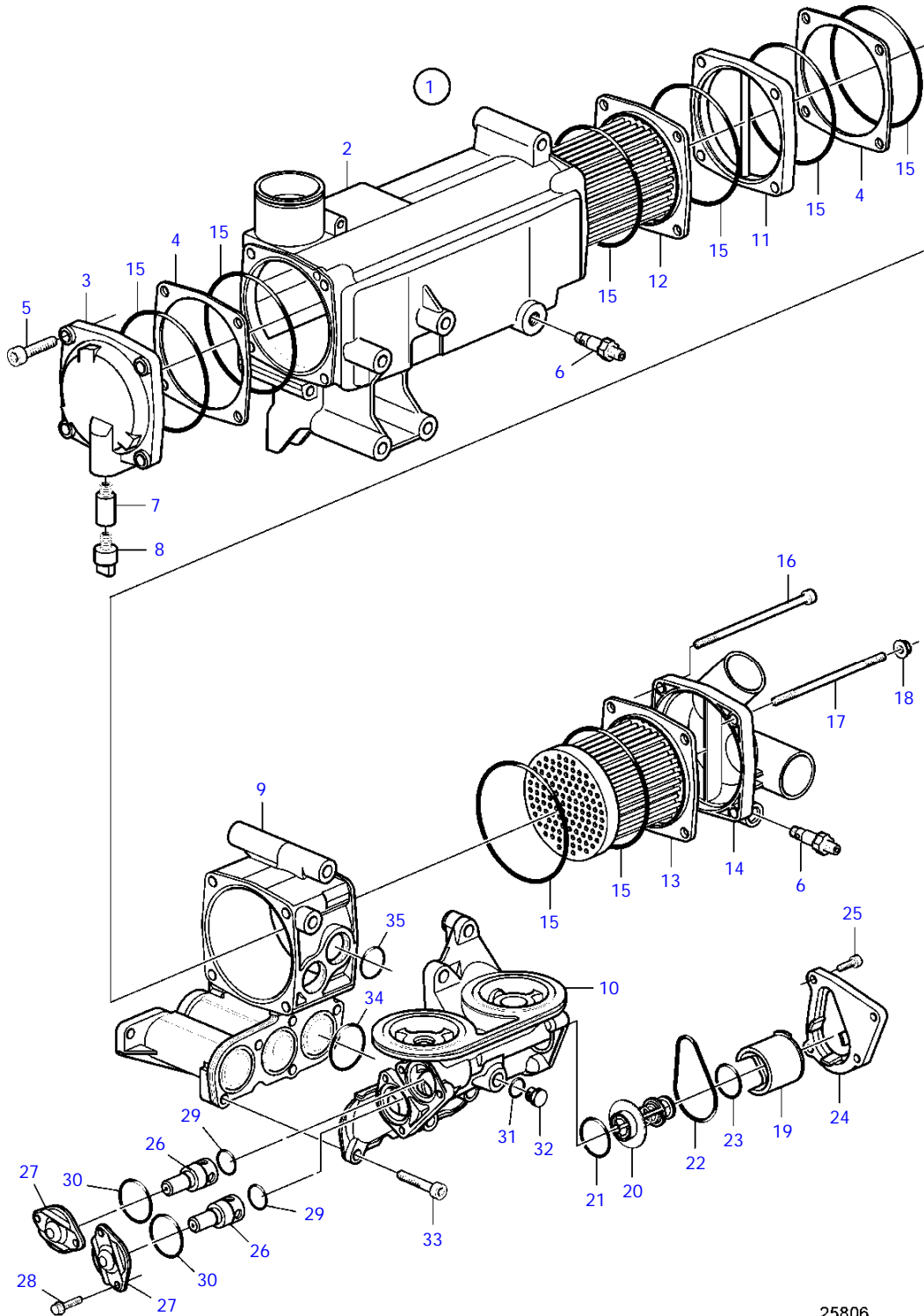


25805

D4-180I-B, D4-210A-A, D4-210A-B, D4-210I-A, D4-210I-B, D4-225A-B, D4-225I-B, D4-260A-A, D4-260A-B, D4-260D-B, D4-260I-A, D4-260I-B, D4-300A-A, D4-300D-A, D4-300I-A

REF	PART NO.	QTY	DESCRIPTION	NOTES
1	3812563	1	Heat exchanger	
2		1	* Housing	
3	3583641	1	* End cover	
4	3583646	2	* Spacer	
5	959223	4	* Hex. socket screw	
6	3583822	2	* Draining nipple	
7	838929	1	* Anode	
8	838928	1	* Plug	
9	3583643	1	* Housing	
10	3584419	1	* Housing	
11	3583642	1	* Spacer	
12	3583644	1	* Tube	
13	3583645	1	* Tube	
14	3583640	1	* Cardboard tube	
15	3583647	8	* O-ring	
16	968893	2	* Flange screw	
17	3583650	2	* Stud	
18	945408	2	* Flange nut	
19	3583829	1	* Retainer	
20		1	* Thermostat	Including in kit 3588437
21	3583830	1	* O-ring	
22	3583831	1	* O-ring	
23	3583832	1	* O-ring	
24	3583828	1	* Cover	
25	947542	4	* Flange screw	
26	471706	2	* Reduction valve	
27	471648	2	* Cover	
28	946544	4	* Flange screw	
29	949659	2	* O-ring	
30	3583834	2	* O-ring	
31	947282	1	* Gasket	
32	960629	1	* Plug	
33	959223	5	* Hex. socket screw	
34	866690	3	* O-ring	
35	3885174	2	* O-ring	

D4-210A-A, D4-210I-A, D4-260A-A, D4-260I-A

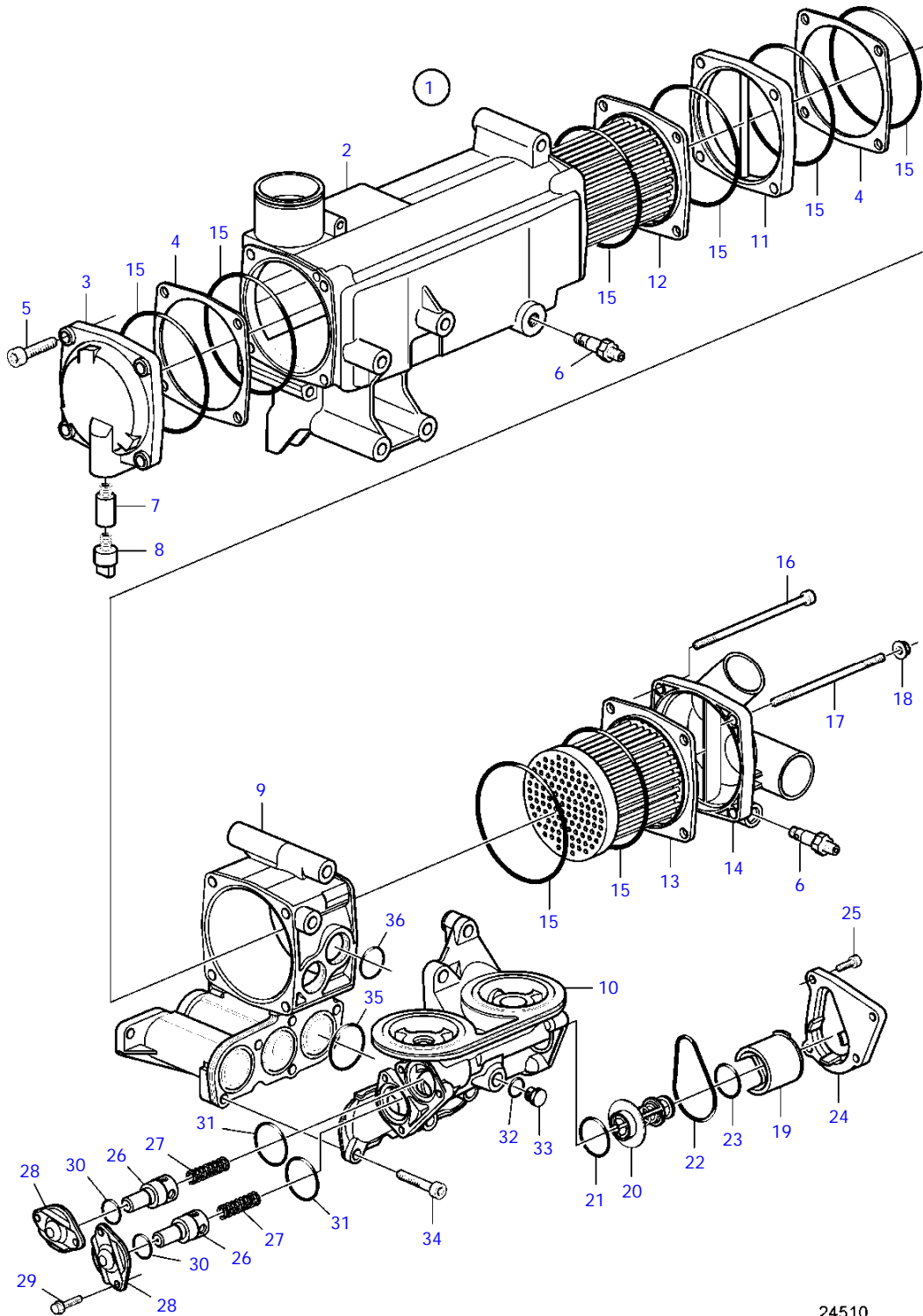


25806

D4-210A-A, D4-210I-A, D4-260A-A, D4-260I-A

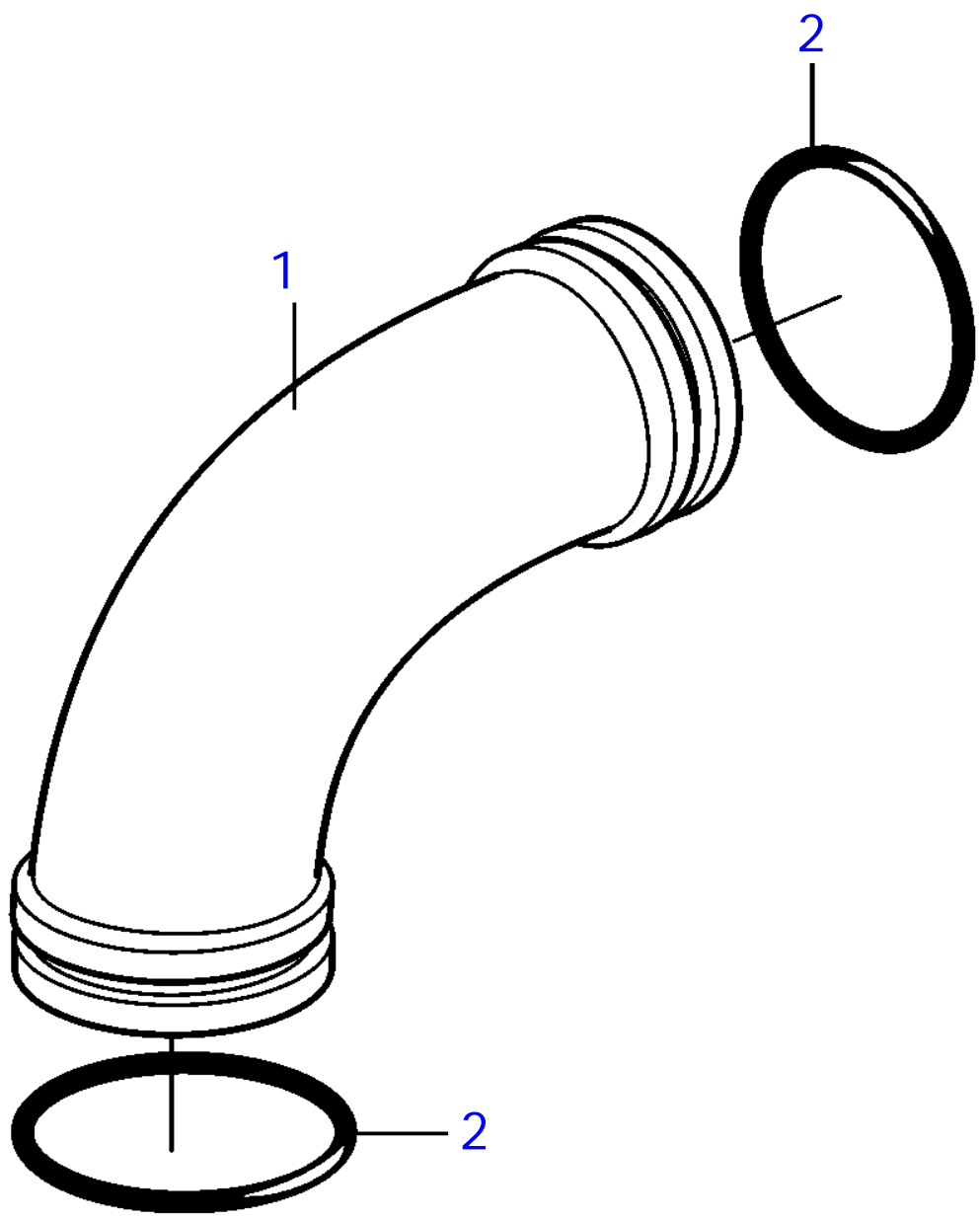
REF	PART NO.	QTY	DESCRIPTION	NOTES
1	3582298	1	Heat exchanger	
2		1	* Housing	
3	3583641	1	* End cover	
4	3583646	2	* Spacer	
5	959223	4	* Hex. socket screw	
6	3583822	2	* Draining nipple	
7	838929	1	* Anode	
8	838928	1	* Plug	
9	3583643	1	* Housing	
10	3584419	1	* Housing	
11	3583642	1	* Spacer	
12	3583644	1	* Tube	
13	3583645	1	* Tube	
14	3583640	1	* Cardboard tube	
15	3583647	8	* O-ring	
16	21122819	2	* Hex. socket screw	
17	3583650	2	* Stud	
18	945408	2	* Flange nut	
19	3583829	1	* Retainer	
20		1	* Thermostat	Including in kit 3588437
21	3583830	1	* O-ring	
22	3583831	1	* O-ring	
23	3583832	1	* O-ring	
24	3583828	1	* Cover	
25	947542	4	* Flange screw	
26	471706	2	* Reduction valve	
27	471648	2	* Cover	
28	946544	4	* Flange screw	
29	949659	2	* O-ring	
30	3583834	2	* O-ring	
31	947282	1	* Gasket	
32	960629	1	* Plug	
33	959223	5	* Hex. socket screw	
34	866690	3	* O-ring	
35	3885174	2	* O-ring	

D4-180I-B, D4-180I-C, D4-180I-D, D4-210A-A, D4-210A-B, D4-210I-A, D4-210I-B, D4-225A-B, D4-225A-C, D4-225A-D, D4-225I-B, D4-225I-C, D4-225I-D, D4-260A-A, D4-260A-B, D4-260A-C, D4-260A-D, D4-260D-B, D4-260D-C, D4-260D-D, D4-260I-A, D4-260I-B, D4-260I-C, D4-260I-D, D4-300A-A, D4-300A-C, D4-300A-D, D4-300D-A, D4-300D-C, D4-300D-D, D4-300I-A, D4-300I-C, D4-300I-D, D4-180I-E, D4-225A-E, D4-225I-E, D4-260A-E, D4-260D-E, D4-260I-E, D4-300A-E, D4-300D-E, D4-300I-E



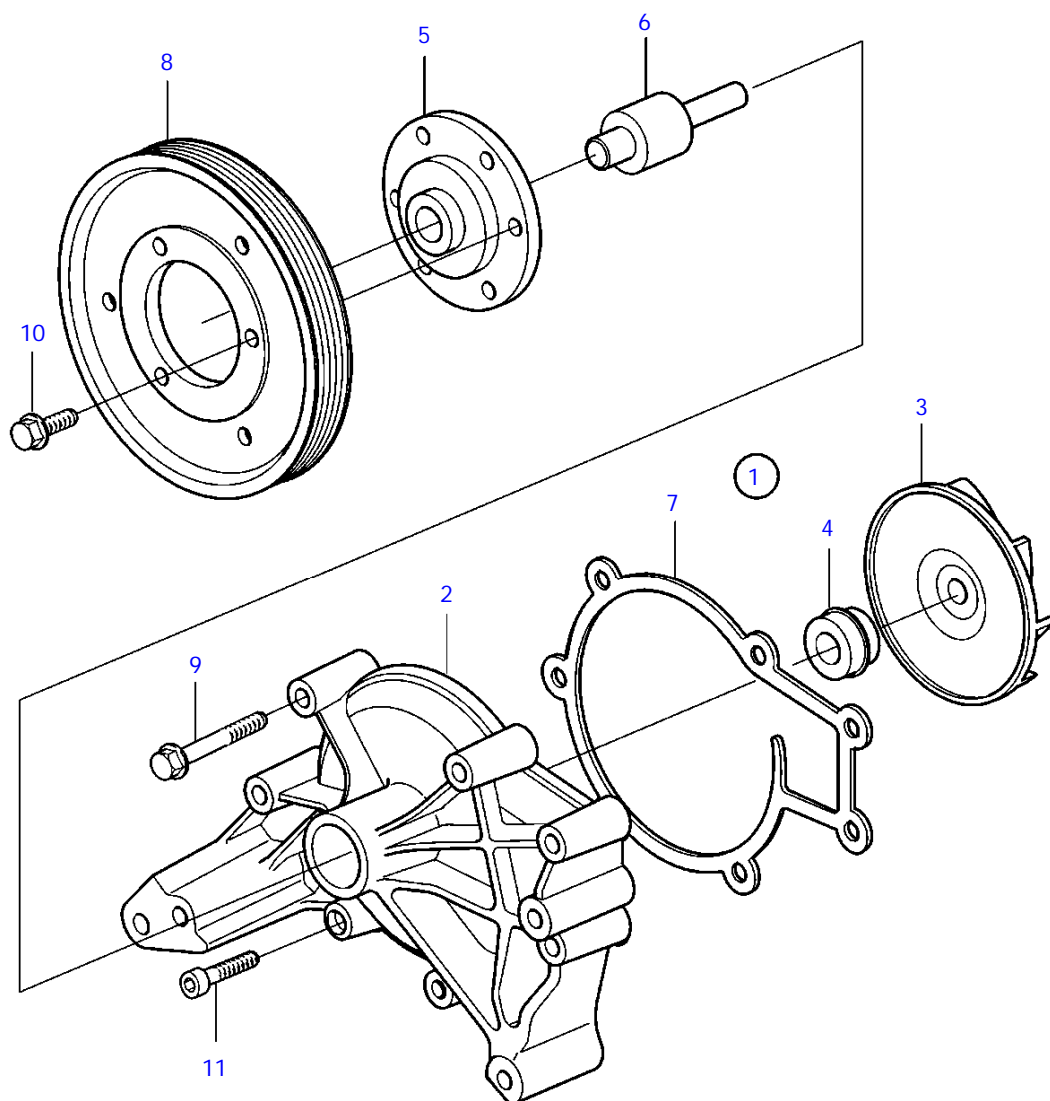
D4-180I-B, D4-180I-C, D4-180I-D, D4-210A-A, D4-210A-B, D4-210I-A, D4-210I-B, D4-225A-B, D4-225A-C, D4-225A-D, D4-225I-B, D4-225I-C, D4-225I-D, D4-260A-A, D4-260A-B, D4-260A-C, D4-260A-D, D4-260D-B, D4-260D-C, D4-260D-D, D4-260I-A, D4-260I-B, D4-260I-C, D4-260I-D, D4-300A-A, D4-300A-C, D4-300A-D, D4-300D-A, D4-300D-C, D4-300D-D, D4-300I-A, D4-300I-C, D4-300I-D, D4-180I-E, D4-225A-E, D4-225I-E, D4-260A-E, D4-260D-E, D4-260I-E, D4-300A-E, D4-300D-E, D4-300I-E

REF	PART NO.	QTY	DESCRIPTION	NOTES
1	40005711	1	Heat exchanger	
2		1	* Housing	
3	3583641	1	* End cover	
4	3583646	2	* Spacer	
5	959223	4	* Hex. socket screw	
6	3583822	2	* Draining nipple	
7	838929	1	* Anode	
8	838928	1	* Plug	
9	40005783	1	* Housing	(3583643)
10	3584419	1	* Housing	
11	3583642	1	* Spacer	
12	3583644	1	* Tube	
13	40005784	1	* Tube	(40005780)
14	3595407	1	* End cover	(3583640)
15	3583647	8	* O-ring	
16	21122819	2	* Hex. socket screw	
17	3583650	2	* Stud	
18	945408	2	* Flange nut	
19	3583829	1	* Retainer	
20		1	* Thermostat	Including in kit 3588437
21	3583830	1	* O-ring	
22	3583831	1	* O-ring	
23	3583832	1	* O-ring	
24	3583828	1	* Cover	
25	947542	4	* Flange screw	
26	471706	2	* Reduction valve	
27	469332	2	* Spring	
28	471648	2	* Cover	
29	947542	4	* Flange screw	
30	949659	2	* O-ring	
31	469846	2	* Sealing ring	
32	947282	1	* Gasket	
33	960629	1	* Plug	
34	959222	5	* Hex. socket screw	
35	866690	3	* O-ring	
36	3885174	2	* O-ring	



25004

D4-180I-B, D4-180I-C, D4-180I-D, D4-210A-A, D4-210A-B, D4-210I-A, D4-210I-B, D4-225A-B, D4-225A-C, D4-225A-D, D4-225I-B, D4-225I-C, D4-225I-D, D4-260A-A, D4-260A-B, D4-260A-C, D4-260A-D, D4-260D-B, D4-260D-C, D4-260D-D, D4-260I-A, D4-260I-B, D4-260I-C, D4-260I-D, D4-300A-A, D4-300A-C, D4-300A-D, D4-300D-A, D4-300D-C, D4-300D-D, D4-300I-A, D4-300I-C, D4-300I-D, D4-180I-E, D4-225A-E, D4-225I-E, D4-260A-E, D4-260D-E, D4-260I-E, D4-300A-E, D4-300D-E, D4-300I-E



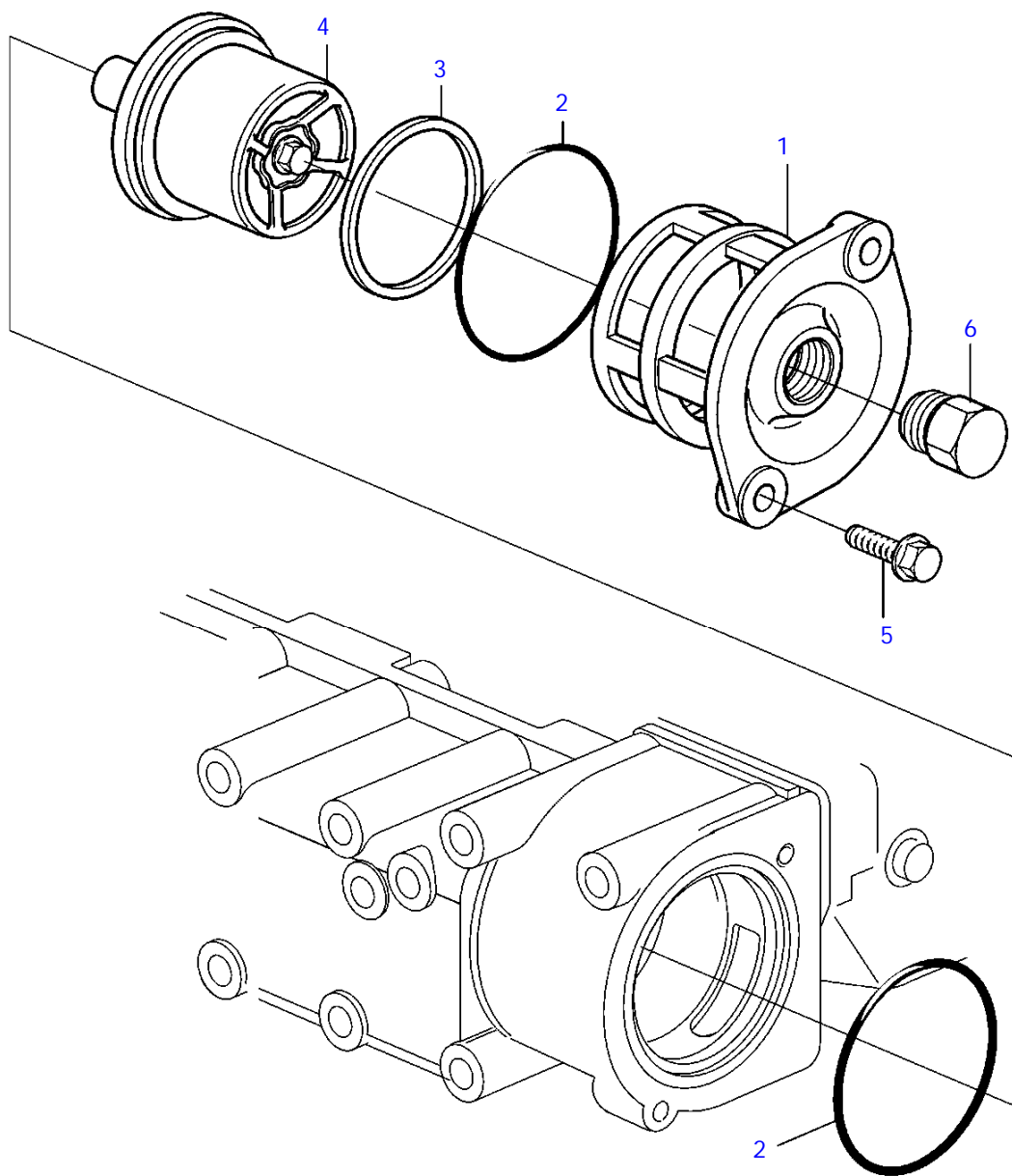
19832

D4-180I-B, D4-180I-C, D4-180I-D, D4-210A-A, D4-210A-B, D4-210I-A, D4-210I-B, D4-225A-B, D4-225A-C, D4-225A-D, D4-225I-B, D4-225I-C, D4-225I-D, D4-260A-A, D4-260A-B, D4-260A-C, D4-260A-D, D4-260D-B, D4-260D-C, D4-260D-D, D4-260I-A, D4-260I-B, D4-260I-C, D4-260I-D, D4-300A-A, D4-300A-C, D4-300A-D, D4-300D-A, D4-300D-C, D4-300D-D, D4-300I-A, D4-300I-C, D4-300I-D, D4-180I-E, D4-225A-E, D4-225I-E, D4-260A-E, D4-260D-E, D4-260I-E, D4-300A-E, D4-300D-E, D4-300I-E

REF	PART NO.	QTY	DESCRIPTION	NOTES
1	3803854	1	Coolant pump, exch	SN-2004017297
	3801313	1	Coolant pump	SN2004017298-
2		1	* Coolant pump housing	
3		1	* Impeller	
4	3582673	1	* Sealing ring	
5		1	* Hub	
6		1	* Shaft	
7	3818912	1	Gasket	(3583811)
8	3582281	1	Pulley	
9	973924	6	Flange screw	L=50mm
10	946173	3	Flange screw	L=20mm
11	959223	1	Hex. socket screw	L=30mm



D4-180I-B, D4-180I-C, D4-180I-D, D4-210A-A, D4-210A-B, D4-210I-A, D4-210I-B, D4-225A-B, D4-225A-C, D4-225A-D, D4-225I-B, D4-225I-C, D4-225I-D, D4-260A-A, D4-260A-B, D4-260A-C, D4-260A-D, D4-260D-B, D4-260D-C, D4-260D-D, D4-260I-A, D4-260I-B, D4-260I-C, D4-260I-D, D4-300A-A, D4-300A-C, D4-300A-D, D4-300D-A, D4-300D-C, D4-300D-D, D4-300I-A, D4-300I-C, D4-300I-D, D4-180I-E, D4-225A-E, D4-225I-E, D4-260A-E, D4-260D-E, D4-260I-E, D4-300A-E, D4-300D-E, D4-300I-E

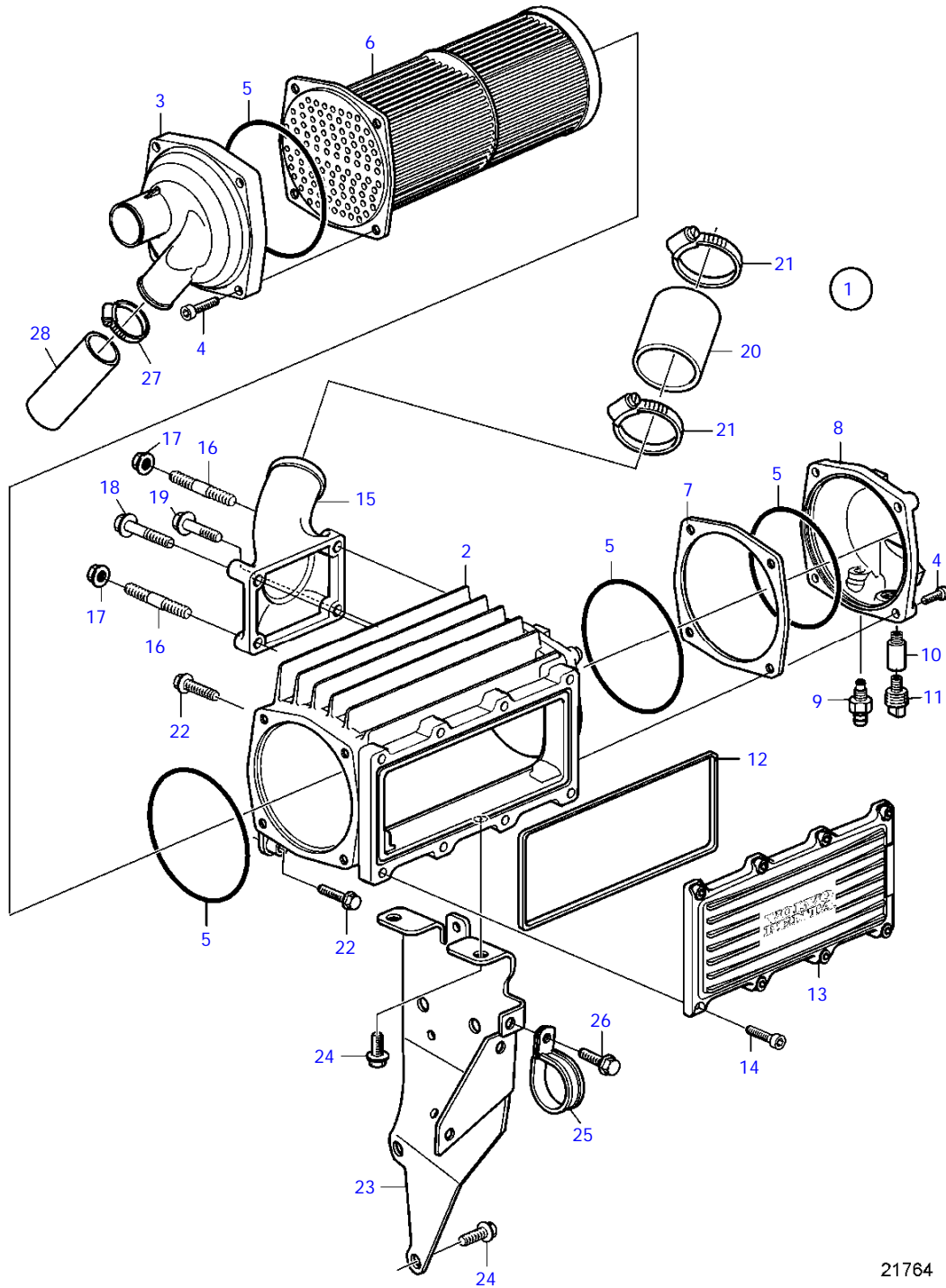


19953

D4-180I-B, D4-180I-C, D4-180I-D, D4-210A-A, D4-210A-B, D4-210I-A, D4-210I-B, D4-225A-B, D4-225A-C, D4-225A-D, D4-225I-B, D4-225I-C, D4-225I-D, D4-260A-A, D4-260A-B, D4-260A-C, D4-260A-D, D4-260D-B, D4-260D-C, D4-260D-D, D4-260I-A, D4-260I-B, D4-260I-C, D4-260I-D, D4-300A-A, D4-300A-C, D4-300A-D, D4-300D-A, D4-300D-C, D4-300D-D, D4-300I-A, D4-300I-C, D4-300I-D, D4-180I-E, D4-225A-E, D4-225I-E, D4-260A-E, D4-260D-E, D4-260I-E, D4-300A-E, D4-300D-E, D4-300I-E

REF	PART NO.	QTY	DESCRIPTION	NOTES
1	888456	1	Thermostat housing	
2	945512	2	O-ring	
3	1544710	1	Sealing ring	
4	8149182	1	Thermostat	
5	945444	2	Flange screw	L=25mm
6	479956	1	Plug	1/2NPTF x 19

D4-180I-B, D4-210A-A, D4-210A-B, D4-210I-A, D4-210I-B, D4-225A-B, D4-225I-B, D4-260A-A, D4-260A-B, D4-260D-B, D4-260I-A, D4-260I-B

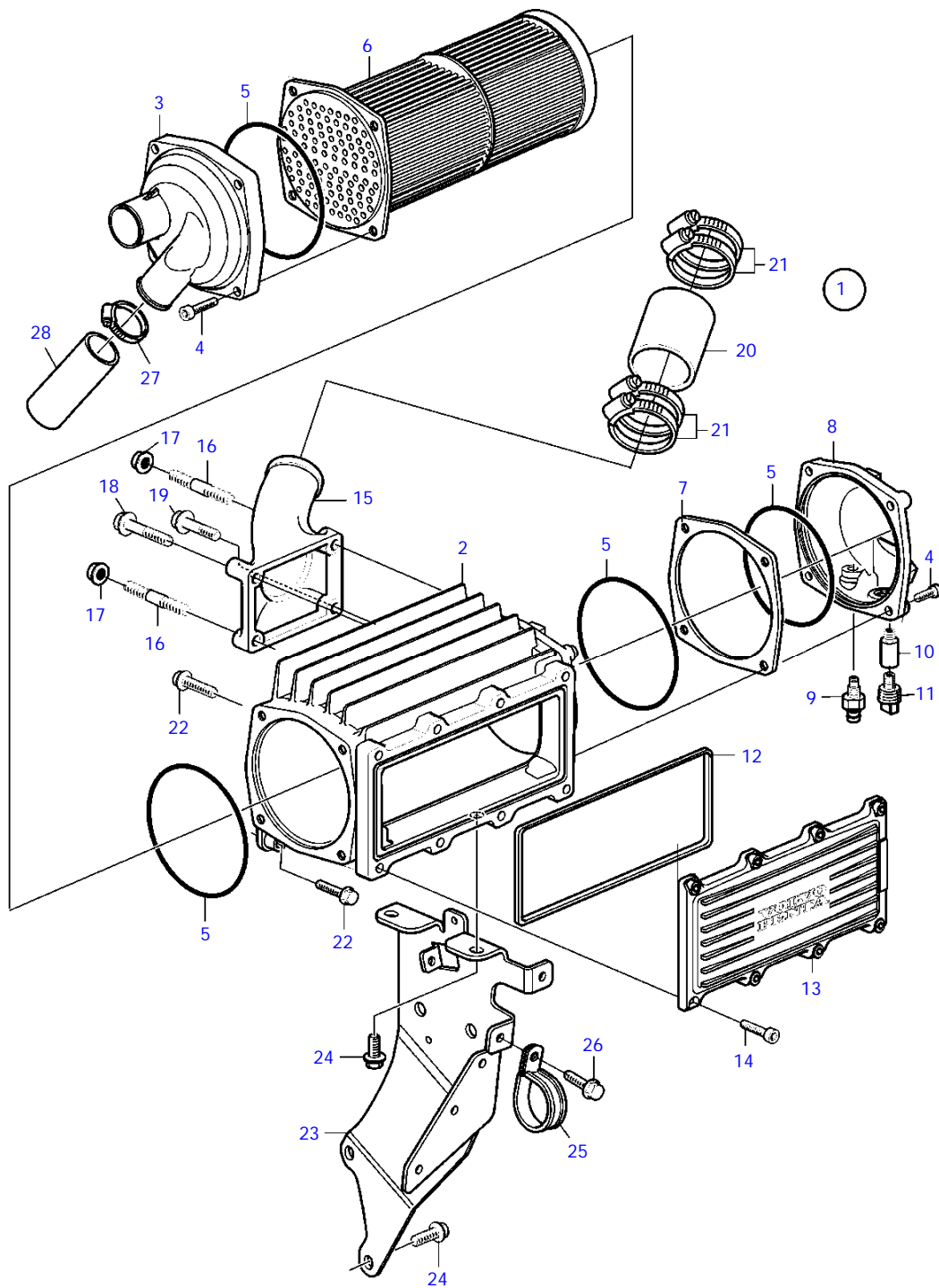


21764

D4-180I-B, D4-210A-A, D4-210A-B, D4-210I-A, D4-210I-B, D4-225A-B, D4-225I-B, D4-260A-A, D4-260A-B, D4-260D-B, D4-260I-A, D4-260I-B

REF	PART NO.	QTY	DESCRIPTION	NOTES
1	3582300	1	Intercooler	
2		1	* Housing	
3	3583628	1	* Cardboard tube	
4	3838337	8	* Screw	(3583631)
5	3838406	4	* O-ring	(3583632)
6	3583638	1	* Tube	
7	3838407	1	* Spacer	(3583630)
8	3583629	1	* Cardboard tube	
9	3583822	1	* Draining nipple	
10	838929	1	* Anode	
11	838928	1	* Plug	
12	3583634	1	* Gasket	
13	3583633	1	* Cardboard tube	
14	3583635	8	* Screw	
15	3582786	1	Connection pipe	
16	953049	2	Stud	
17	945408	2	Flange nut	
18	965216	1	Flange screw	
19	947760	1	Flange screw	
20	865747	1	Hose	
21	943480	2	Hose clamp	
22	973924	4	Flange screw	
23	3812944	1	Bracket	(3582983)
24	946173	4	Flange screw	
25	984474	2	Clamp	
26	946440	2	Flange screw	
27	943478	2	Hose clamp	
28	943370	1	Rubber hose	L=50mm

D4-180I-C, D4-180I-D, D4-225A-C, D4-225A-D, D4-225I-C, D4-225I-D, D4-260A-C, D4-260A-D, D4-260D-C, D4-260D-D, D4-260I-C, D4-260I-D, D4-180I-E, D4-225A-E, D4-225I-E, D4-260A-E, D4-260D-E, D4-260I-E

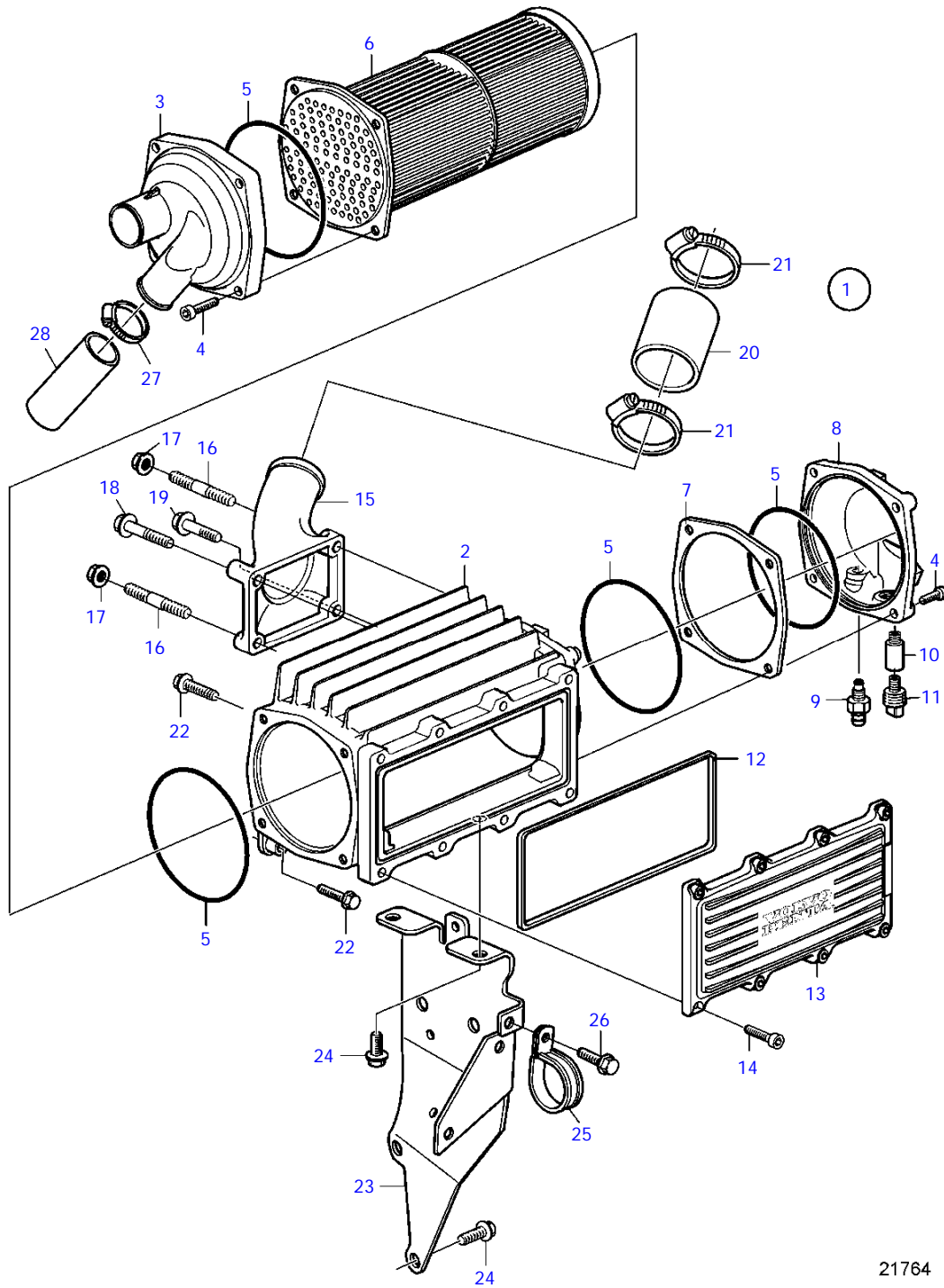


24363

D4-180I-C, D4-180I-D, D4-225A-C, D4-225A-D, D4-225I-C, D4-225I-D, D4-260A-C, D4-260A-D, D4-260D-C, D4-260D-D, D4-260I-C, D4-260I-D, D4-180I-E, D4-225A-E, D4-225I-E, D4-260A-E, D4-260D-E, D4-260I-E

REF	PART NO.	QTY	DESCRIPTION	NOTES
1	3582300	1	Intercooler	
2		1	* Housing	
3	3583628	1	* Cardboard tube	
4	3838337	8	* Screw	
5	3838406	4	* O-ring	
6	3583638	1	* Tube	
7	3838407	1	* Spacer	
8	3583629	1	* Cardboard tube	
9	3583822	1	* Draining nipple	
10	838929	1	* Anode	
11	838928	1	* Plug	
12	3583634	1	* Gasket	
13	3583633	1	* Cardboard tube	
14	3583635	8	* Screw	
15	3582786	1	Connection pipe	
16	953049	2	Stud	
17	945408	2	Flange nut	
18	965216	1	Flange screw	
19	947760	1	Flange screw	
20	865747	1	Hose	
21	943480	2	Hose clamp	
22	973924	4	Flange screw	
23	3848536	1	Bracket	
24	946173	5	Flange screw	
25	984474	2	Clamp	
26	946440	2	Flange screw	
27	943478	2	Hose clamp	
28	943370	1	Rubber hose	L=50mm

D4-300A-A, D4-300D-A, D4-300I-A

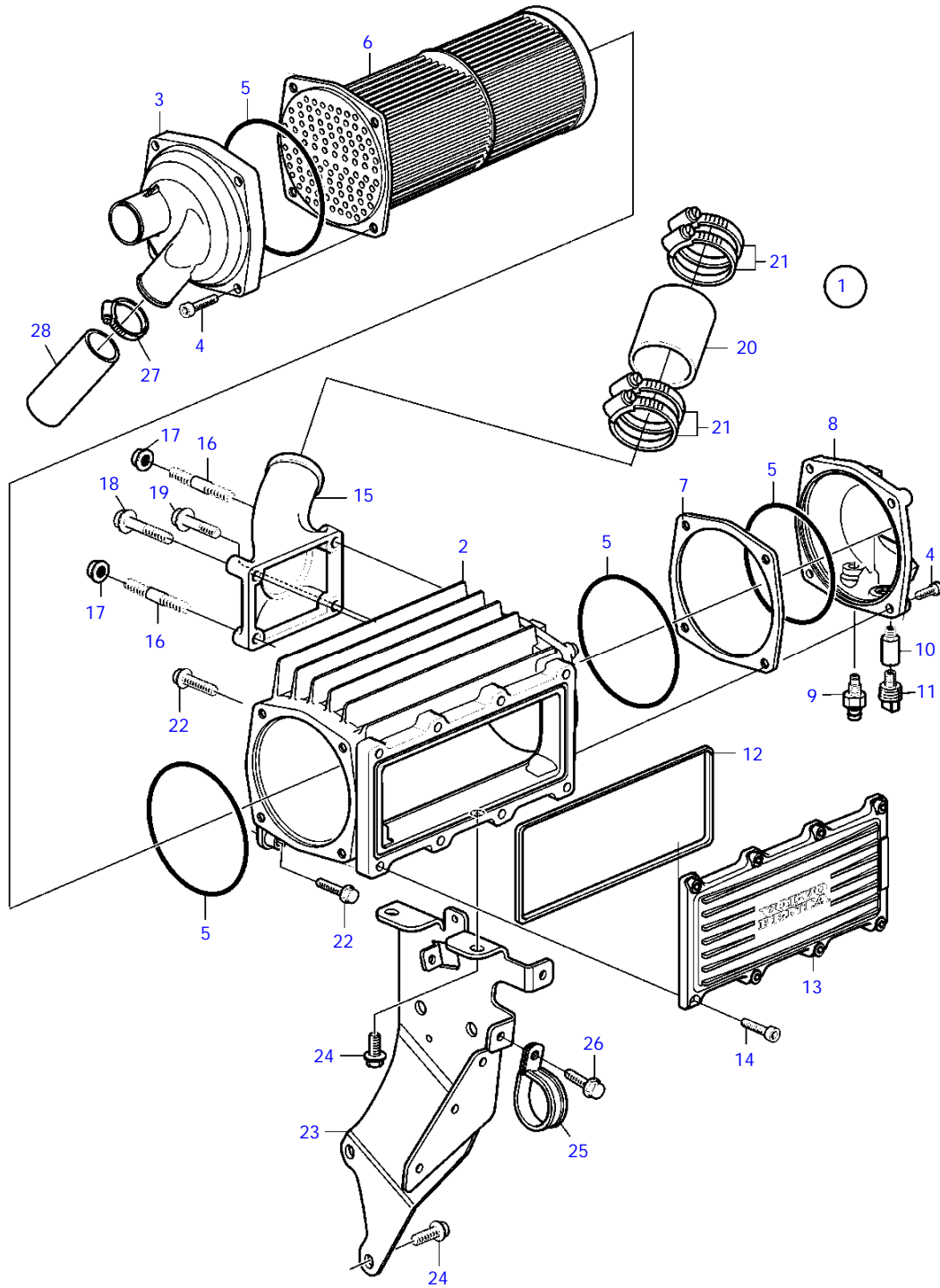


21764

D4-300A-A, D4-300D-A, D4-300I-A

REF	PART NO.	QTY	DESCRIPTION	NOTES
1	3885354	1	Intercooler	
2		1	* Housing	
3	3583628	1	* Cardboard tube	
4	3838337	8	* Screw	
5	3838406	4	* O-ring	
6	3808746	1	* Insert	
7	3838407	1	* Spacer	
8	3583629	1	* Cardboard tube	
9	3583822	1	* Draining nipple	
10	838929	1	* Anode	
11	838928	1	* Plug	
12	3583634	1	* Gasket	
13	3583633	1	* Cardboard tube	
14	3583635	8	* Screw	
15	3582786	1	Connection pipe	
16	953049	2	Stud	
17	945408	2	Flange nut	
18	965216	1	Flange screw	
19	947760	1	Flange screw	
20	865747	1	Hose	
21	943480	2	Hose clamp	
22	973924	4	Flange screw	
23	3812944	1	Bracket	
24	946173	4	Flange screw	
25	984474	2	Clamp	
26	946440	2	Flange screw	
27	943478	2	Hose clamp	
28	943370	1	Rubber hose	L=50mm

D4-300A-C, D4-300A-D, D4-300D-C, D4-300D-D, D4-300I-C, D4-300I-D, D4-300A-E, D4-300D-E, D4-300I-E

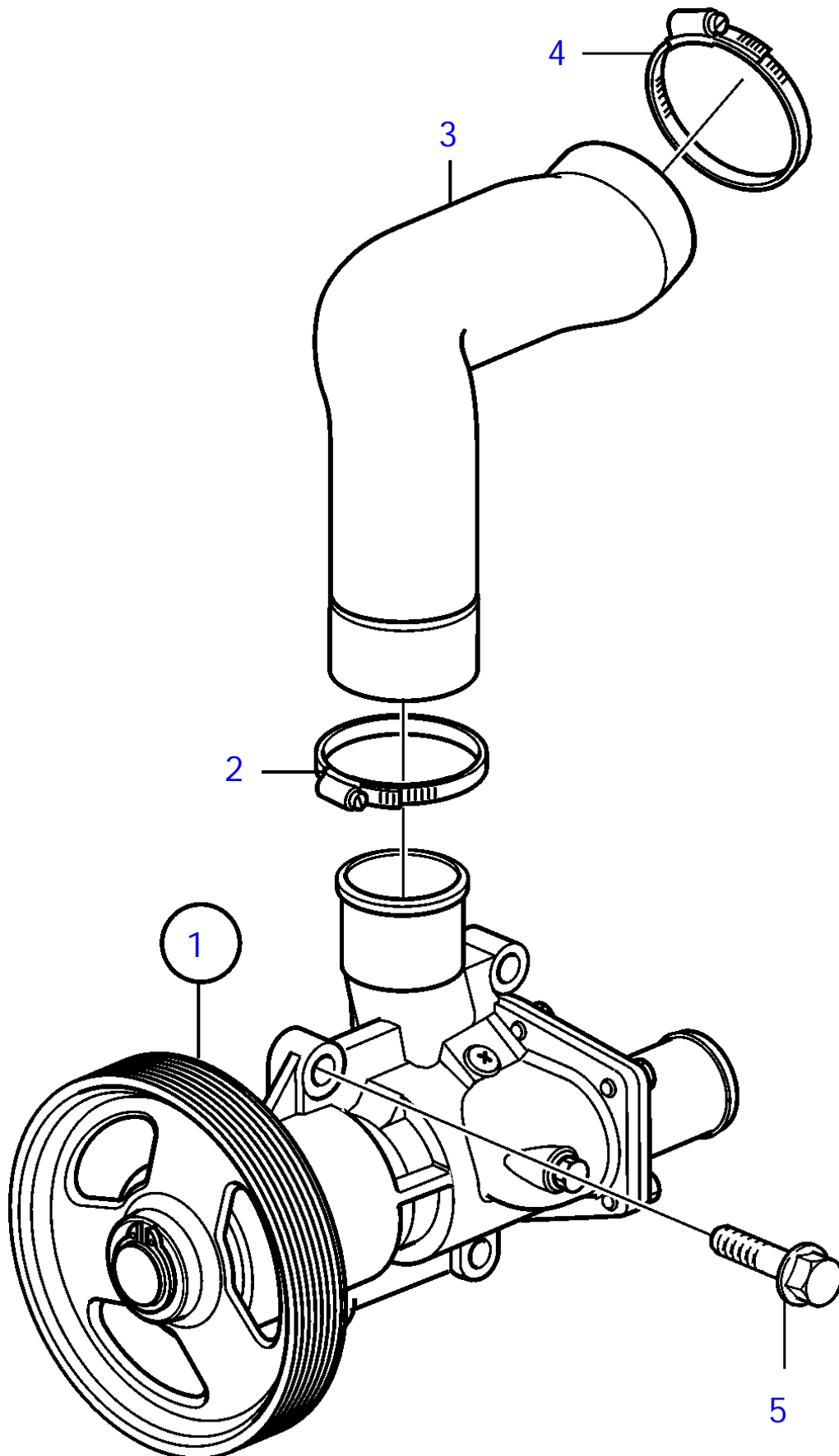


24363

D4-300A-C, D4-300A-D, D4-300D-C, D4-300D-D, D4-300I-C, D4-300I-D, D4-300A-E, D4-300D-E, D4-300I-E

REF	PART NO.	QTY	DESCRIPTION	NOTES
1	3885354	1	Intercooler	
2		1	* Housing	
3	3583628	1	* Cardboard tube	
4	3838337	8	* Screw	
5	3838406	4	* O-ring	
6	3808746	1	* Insert	
7	3838407	1	* Spacer	
8	3583629	1	* Cardboard tube	
9	3583822	1	* Draining nipple	
10	838929	1	* Anode	
11	838928	1	* Plug	
12	3583634	1	* Gasket	
13	3583633	1	* Cardboard tube	
14	3583635	8	* Screw	
15	3582786	1	Connection pipe	
16	953049	2	Stud	
17	945408	2	Flange nut	
18	965216	1	Flange screw	
19	947760	1	Flange screw	
20	865747	1	Hose	
21	943480	2	Hose clamp	
22	973924	4	Flange screw	
23	3848536	1	Bracket	
24	946173	5	Flange screw	
25	984474	2	Clamp	
26	946440	2	Flange screw	
27	943478	2	Hose clamp	
28	943370	1	Rubber hose	L=50mm

D4-180I-B, D4-180I-C, D4-180I-D, D4-210I-A, D4-210I-B, D4-225I-B, D4-225I-C, D4-225I-D, D4-260I-A, D4-260I-B, D4-260I-C, D4-260I-D, D4-300I-A, D4-300I-C, D4-300I-D, D4-180I-E, D4-225I-E

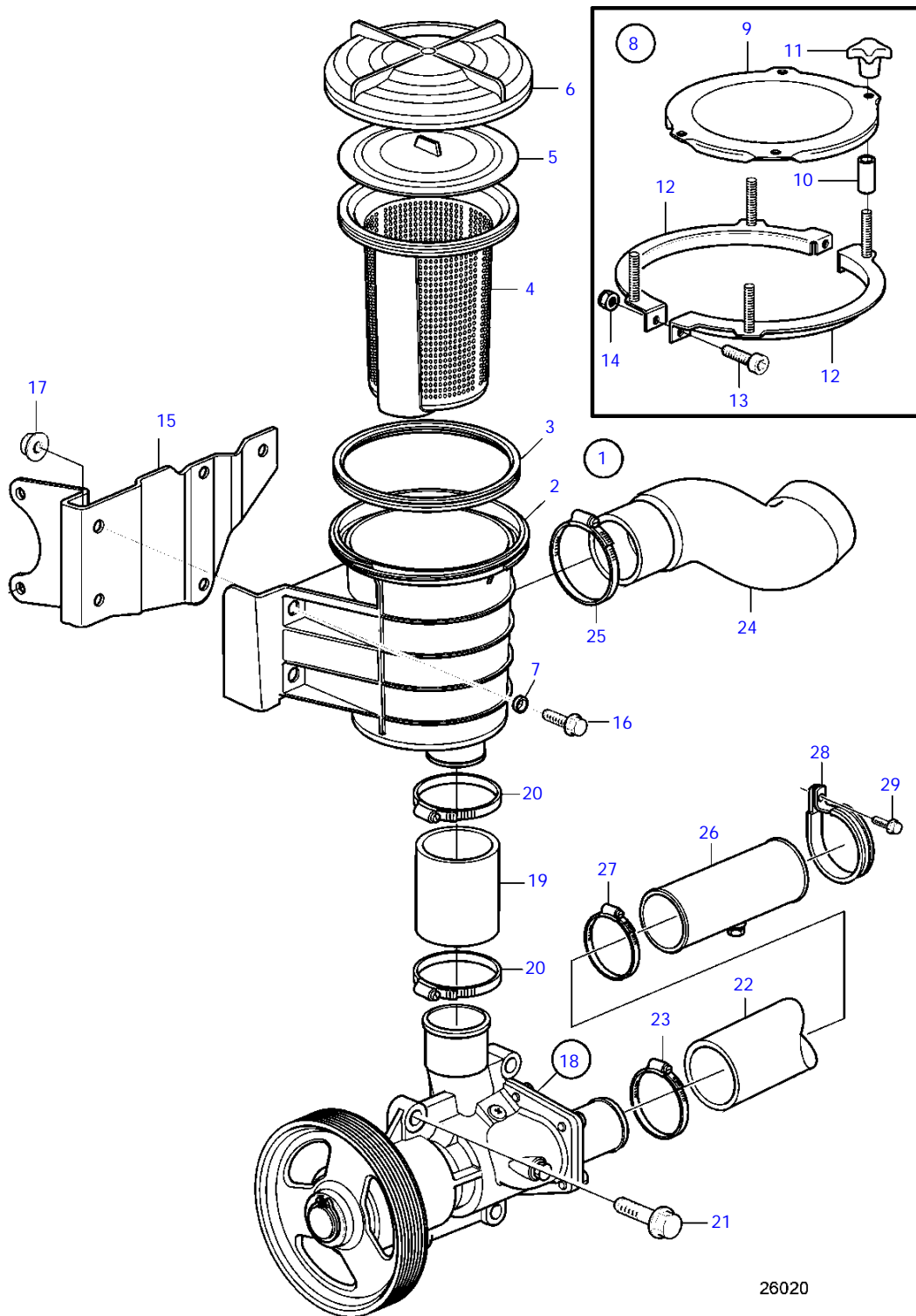


19895

D4-180I-B, D4-180I-C, D4-180I-D, D4-210I-A, D4-210I-B, D4-225I-B, D4-225I-C, D4-225I-D, D4-260I-A, D4-260I-B, D4-260I-C, D4-260I-D, D4-300I-A, D4-300I-C, D4-300I-D, D4-180I-E, D4-225I-E

REF	PART NO.	QTY	DESCRIPTION	SEE SEC.
1	3584062	1	Sea water pump	
			.	
			.	6596
2	943478	1	Hose clamp	
3	3583009	1	Hose	
4	943479	1	Hose clamp	
5	947760	4	Flange screw	

D4-210A-A, D4-210A-B, D4-225A-B, D4-225A-C, D4-225A-D, D4-260A-A, D4-260A-B, D4-260A-C, D4-260A-D, D4-260D-B, D4-260D-C, D4-260D-D, D4-300A-A, D4-300A-C, D4-300A-D, D4-300D-A, D4-300D-C, D4-300D-D

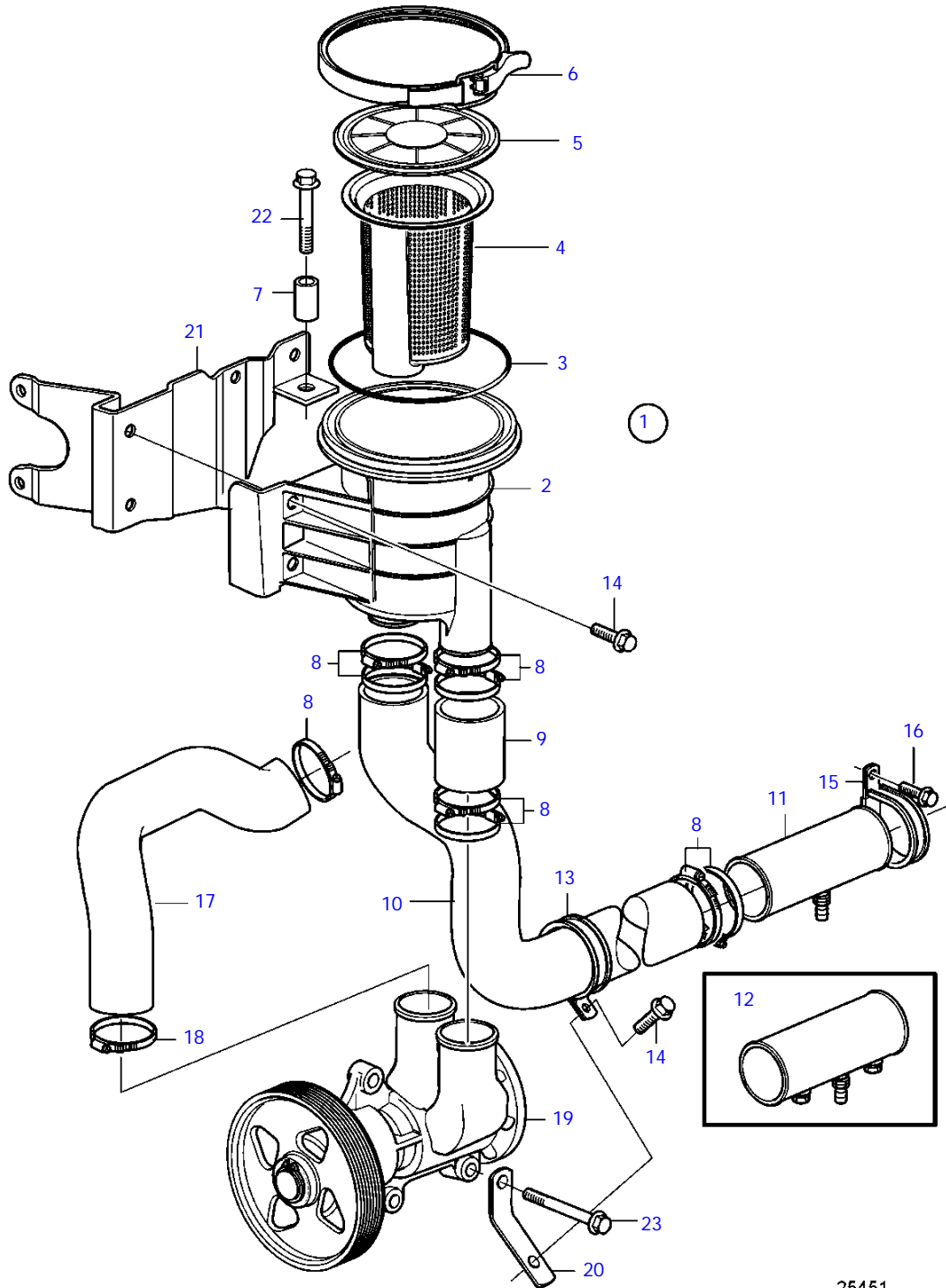


26020

D4-210A-A, D4-210A-B, D4-225A-B, D4-225A-C, D4-225A-D, D4-260A-A, D4-260A-B, D4-260A-C, D4-260A-D, D4-260D-B, D4-260D-C, D4-260D-D, D4-300A-A, D4-300A-C, D4-300A-D, D4-300D-A, D4-300D-C, D4-300D-D

REF	PART NO.	QTY	DESCRIPTION	SEE SEC.	NOTES
1	3889148	1	Sea water filter		(3809070)
2		1	* Strainer housing		
3	3583340	1	* Sealing ring		
4	3583341	1	* Strainer		
5	3583339	1	* Pressure plate		
6	3889146	1	* Cardboard tube		
7	(3583853)	3	* Spacer sleeve		Obsolete part
8	21400685	1	Kit		Alternative
			* Bulletin P-26-6-4	P-26-6-4-EN	Sea Water Pump and Sea Water Filter
9	21400696	1	Cover		
10		4	Spacer sleeve		
11	21457174	4	Handle		
12	21400686	2	Bracket		
13	942001	2	Hex. socket screw		
14	963105	2	Lock nut		
15	21368510	1	Bracket		
16	946173	3	Flange screw		L=20mm
17	945408	2	Flange nut		M8
18	3584062	1	Sea water pump		
			*	6596	
19	943370	1	Rubber hose		L=50mm
20	961671	2	Hose clamp		
21	947760	4	Flange screw		L=40mm
22	3584040	1	Hose		
23	943479	2	Hose clamp		
24	3888924	1	Hose		(3583010)
25	943479	1	Hose clamp		
26	3584430	1	T-pipe		
27	961672	4	Hose clamp		
28	984474	1	Clamp		
29	946440	1	Flange screw		

D4-225A-E, D4-260A-E, D4-260D-E, D4-300A-E, D4-300D-E

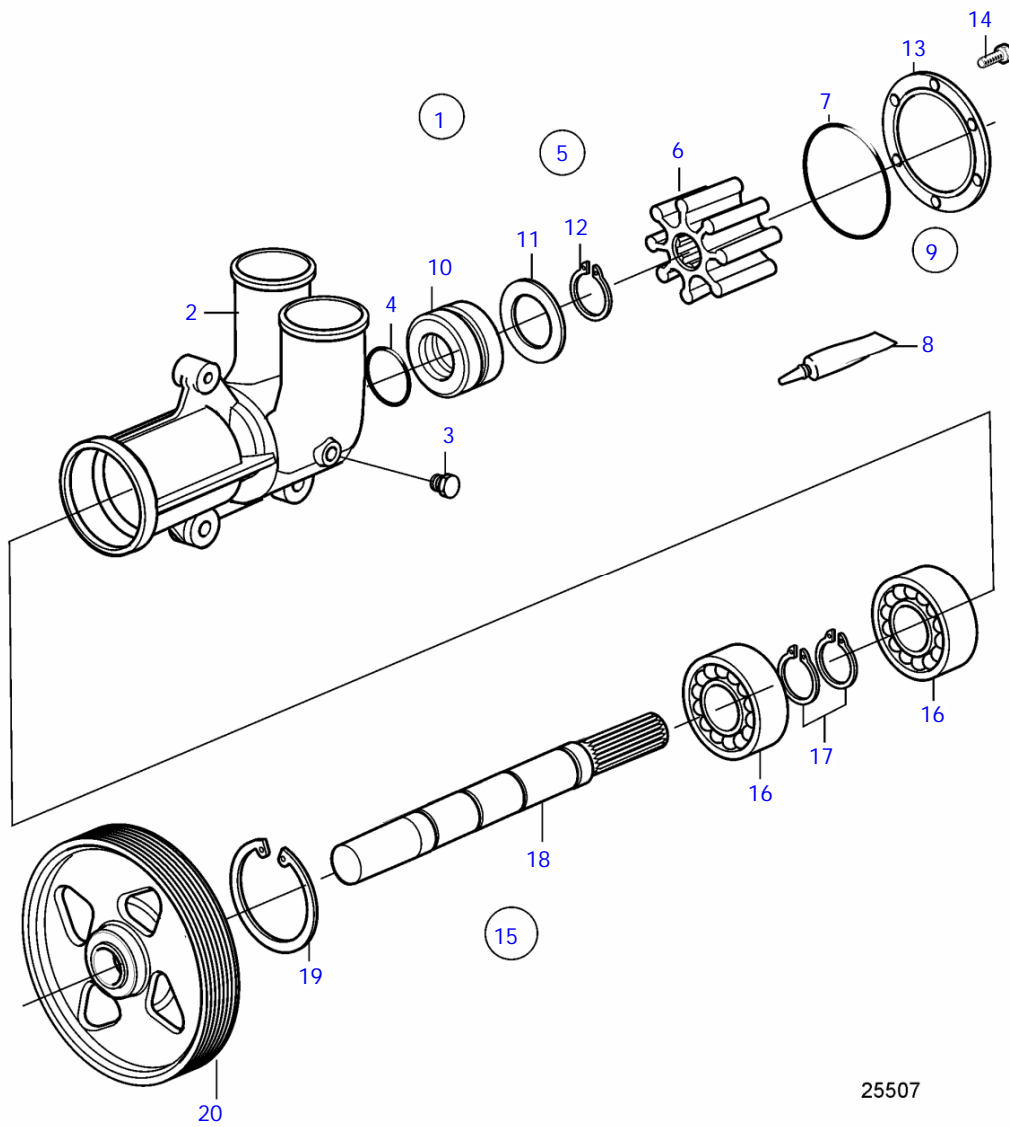


25451

D4-225A-E, D4-260A-E, D4-260D-E, D4-300A-E, D4-300D-E

REF	PART NO.	QTY	DESCRIPTION	SEE SEC.	NOTES
1	21368500	1	Sea water filter		
2	(21368502)	1	* Strainer housing		Obsolete part
3	995147	1	* O-ring		
4	21368504	1	* Strainer		
5	21445782	1	* Cover		
6	21368508	1	* V-band clamp		
7	3528225	1	* Spacer sleeve		
8	961672	9	Hose clamp		
9	994814	1	Rubber hose		
10	21368518	1	Hose		
11	3584430	1	T-pipe		
12	3584243	1	Radiator		
13	980476	1	Clamp		
14	946173	3	Flange screw		
15	984474	1	Clamp		
16	946440	1	Flange screw		
17	21368514	1	Hose		
18	961671	1	Hose clamp		
19	21419374	1	Sea water pump		
			*	36390	
20	21619824	1	Bracket		
21	21368510	1	Bracket		
22	973924	1	Flange screw		
23	947760	4	Flange screw		

D4-225A-E, D4-260A-E, D4-260D-E, D4-300A-E, D4-300D-E

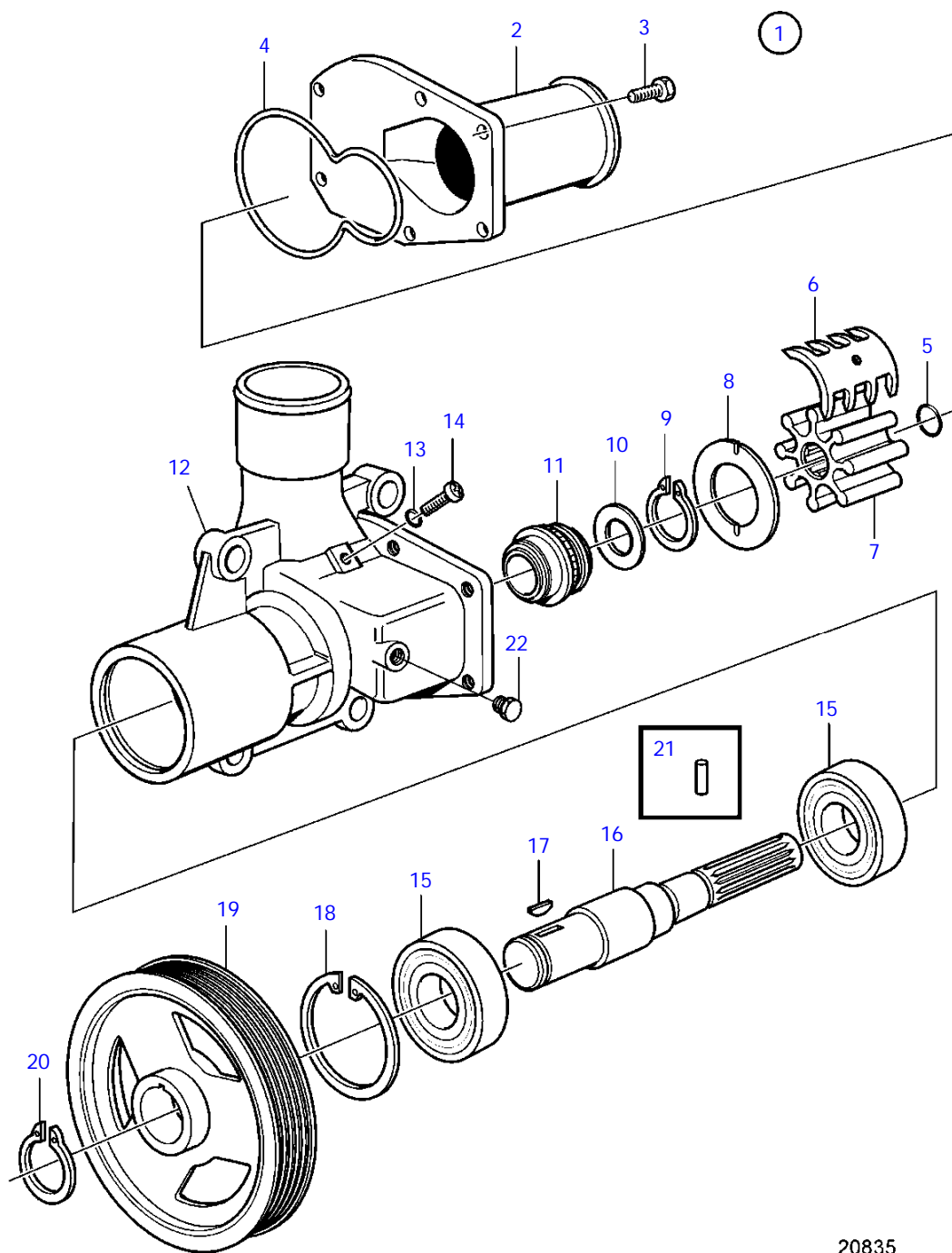


25507

D4-225A-E, D4-260A-E, D4-260D-E, D4-300A-E, D4-300D-E

REF	PART NO.	QTY	DESCRIPTION	SEE SEC.	NOTES
1	21419374	1	Sea water pump		
2		1	• Housing		
3		1	• Plug		
4	925057	1	• O-ring		
5	21422647	1	• Impeller kit		
6		1	• • Impeller		
7	3581618	1	• • O-ring		
8	3862178	1	• • Grease		
9	21422648	1	• Repair kit		
10	(21379134)	1	• • Sealing ring		Obsolete part
11	3583988	1	• • Washer		
12	809444	1	• • Lock ring		
13		1	• • Cover		
14	21346724	6	• • Screw		
15	21495818	1	• Repair kit	7043	
16	21422638	2	• • Ball bearing		
17	914451	2	• • Snap ring		
18	21422634	1	• • Shaft		
19	21422642	1	• • Snap ring		
20		1	• • Pulley		

D4-180I-B, D4-180I-C, D4-180I-D, D4-210A-A, D4-210A-B, D4-210I-A, D4-210I-B, D4-225A-B, D4-225A-C, D4-225A-D, D4-225I-B, D4-225I-C, D4-225I-D, D4-260A-A, D4-260A-B, D4-260A-C, D4-260A-D, D4-260D-B, D4-260D-C, D4-260D-D, D4-260I-A, D4-260I-B, D4-260I-C, D4-260I-D, D4-300A-A, D4-300A-C, D4-300A-D, D4-300D-A, D4-300D-C, D4-300D-D, D4-300I-A, D4-300I-C, D4-300I-D, D4-180I-E, D4-225I-E, D4-260I-E, D4-300I-E

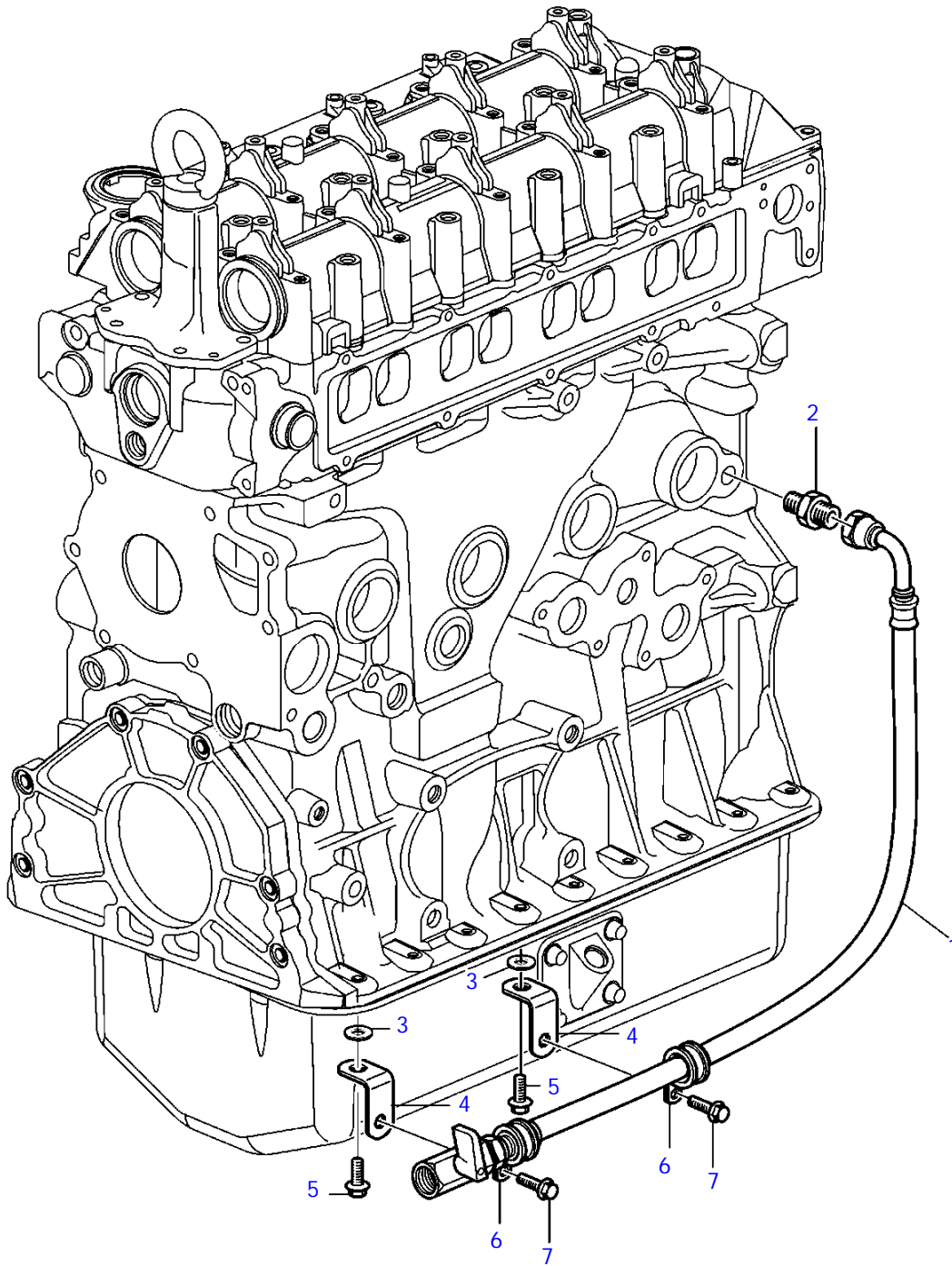


20835

D4-180I-B, D4-180I-C, D4-180I-D, D4-210A-A, D4-210A-B, D4-210I-A, D4-210I-B, D4-225A-B, D4-225A-C, D4-225A-D, D4-225I-B, D4-225I-C, D4-225I-D, D4-260A-A, D4-260A-B, D4-260A-C, D4-260A-D, D4-260D-B, D4-260D-C, D4-260D-D, D4-260I-A, D4-260I-B, D4-260I-C, D4-260I-D, D4-300A-A, D4-300A-C, D4-300A-D, D4-300D-A, D4-300D-C, D4-300D-D, D4-300I-A, D4-300I-C, D4-300I-D, D4-180I-E, D4-225I-E, D4-260I-E, D4-300I-E

REF	PART NO.	QTY	DESCRIPTION	SEE SEC.	NOTES
1	3584062	1	Sea water pump		
2	3583613		* Cardboard tube		
3	3583604	6	* Hexagon screw		
4	3583611	1	* O-ring		
5	804781	1	* Sealing washer		
6	3583612	1	* Cam		
7		1	* Impeller	7043	Included in kit 3588475
8	807589	1	* Wear washer		
9	809444	1	* Lock ring		
10	888388	1	* Washer		
11	3583609	1	* Sealing		
12		1	* Pump housing		
13	3583614	1	* O-ring		
14	3583605	1	* Hexagon screw		
15	181648	2	* Ball bearing		
16	21418999	1	* Kit	7043	
17	888386	1	* Key		
18	825735	1	* Lock ring		
19	3583599	1	* Pulley		
20	804709	1	* Lock ring		
21	888387	1	* Pin		
22	981749	1	* Plug		

D4-180I-B, D4-180I-C, D4-180I-D, D4-210A-A, D4-210A-B, D4-210I-A, D4-210I-B, D4-225A-B, D4-225A-C, D4-225A-D, D4-225I-B, D4-225I-C, D4-225I-D, D4-260A-A, D4-260A-B, D4-260A-C, D4-260A-D, D4-260D-B, D4-260D-C, D4-260D-D, D4-260I-A, D4-260I-B, D4-260I-C, D4-260I-D, D4-300A-A, D4-300A-C, D4-300A-D, D4-300D-A, D4-300D-C, D4-300D-D, D4-300I-A, D4-300I-C, D4-300I-D, D4-180I-E, D4-225A-E, D4-225I-E, D4-260A-E, D4-260D-E, D4-260I-E, D4-300A-E, D4-300D-E, D4-300I-E

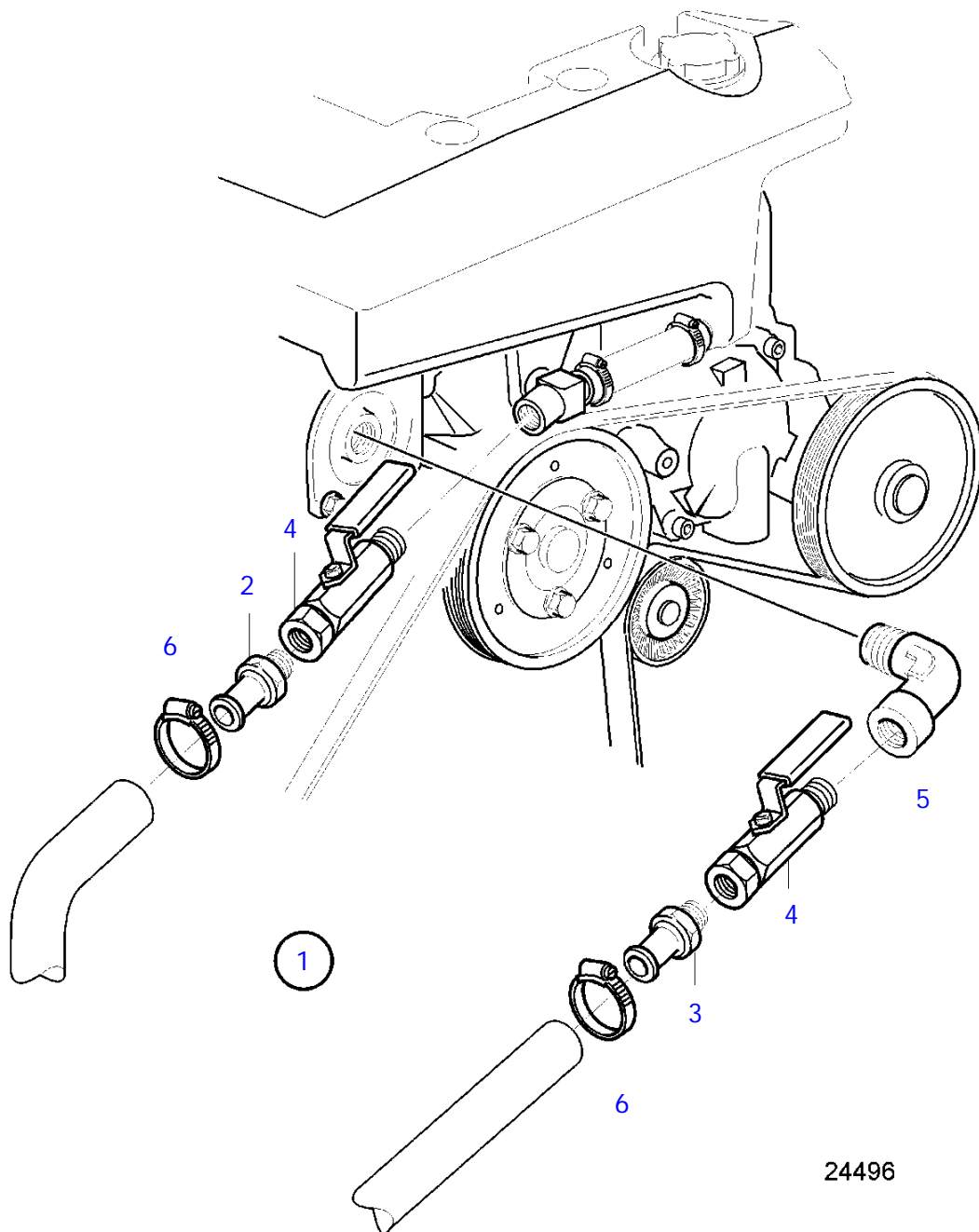


25546

D4-180I-B, D4-180I-C, D4-180I-D, D4-210A-A, D4-210A-B, D4-210I-A, D4-210I-B, D4-225A-B, D4-225A-C, D4-225A-D, D4-225I-B, D4-225I-C, D4-225I-D, D4-260A-A, D4-260A-B, D4-260A-C, D4-260A-D, D4-260D-B, D4-260D-C, D4-260D-D, D4-260I-A, D4-260I-B, D4-260I-C, D4-260I-D, D4-300A-A, D4-300A-C, D4-300A-D, D4-300D-A, D4-300D-C, D4-300D-D, D4-300I-A, D4-300I-C, D4-300I-D, D4-180I-E, D4-225A-E, D4-225I-E, D4-260A-E, D4-260D-E, D4-260I-E, D4-300A-E, D4-300D-E, D4-300I-E

REF	PART NO.	QTY	DESCRIPTION
1	21235854	1	Drain hose
2	943299	1	Nipple
3	941744	2	Washer
4	3584088	2	Angle bracket
5	946173	2	Flange screw
6	952629	2	Clamp
7	946501	2	Flange screw

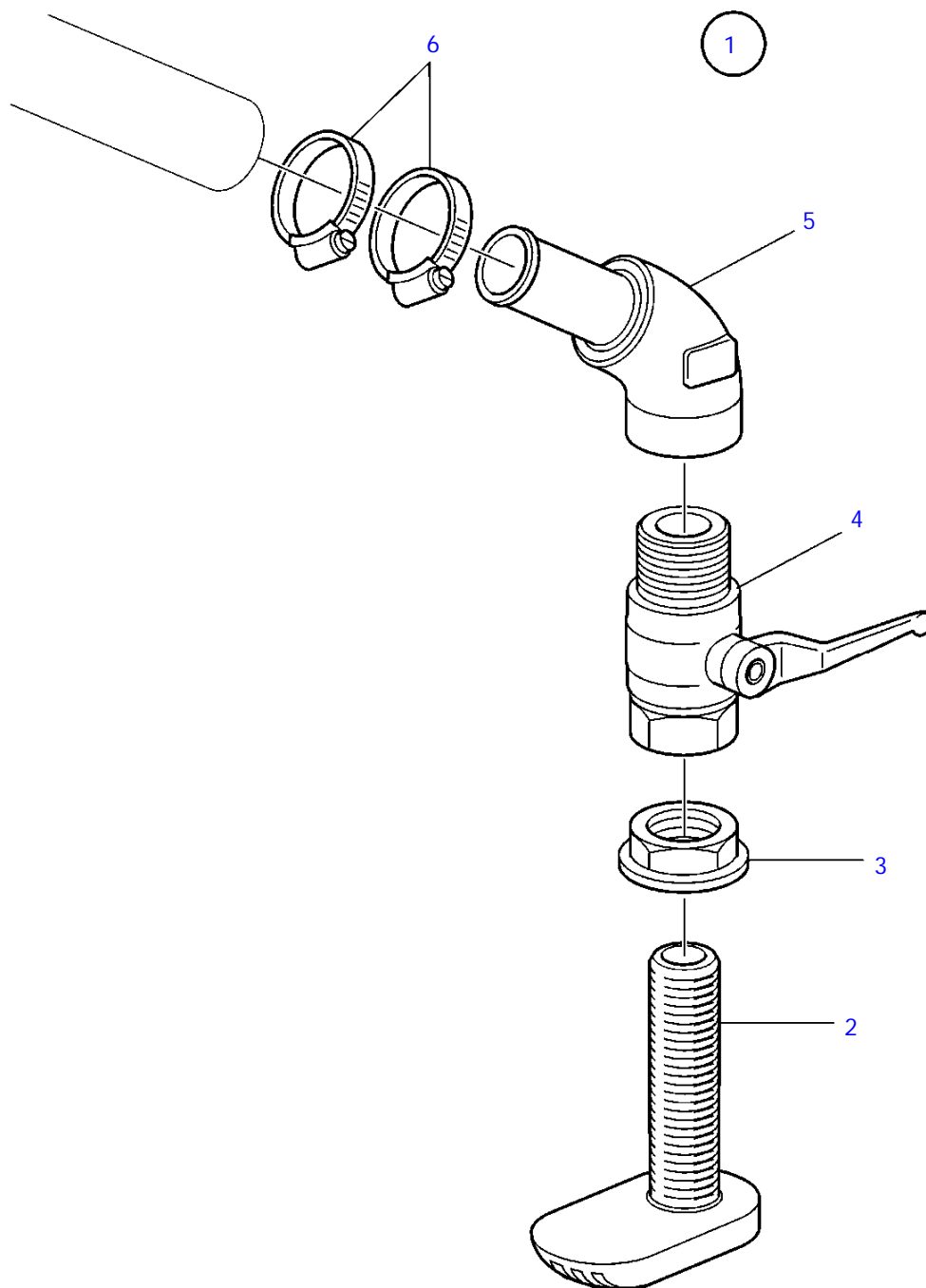
D4-180I-B, D4-180I-C, D4-180I-D, D4-210A-A, D4-210A-B, D4-210I-A, D4-210I-B, D4-225A-B, D4-225A-C, D4-225A-D, D4-225I-B, D4-225I-C, D4-225I-D, D4-260A-A, D4-260A-B, D4-260A-C, D4-260A-D, D4-260D-B, D4-260D-C, D4-260D-D, D4-260I-A, D4-260I-B, D4-260I-C, D4-260I-D, D4-300A-A, D4-300A-C, D4-300A-D, D4-300D-A, D4-300D-C, D4-300D-D, D4-300I-A, D4-300I-C, D4-300I-D, D4-180I-E, D4-225A-E, D4-225I-E, D4-260A-E, D4-260D-E, D4-260I-E, D4-300A-E, D4-300D-E, D4-300I-E



D4-180I-B, D4-180I-C, D4-180I-D, D4-210A-A, D4-210A-B, D4-210I-A, D4-210I-B, D4-225A-B, D4-225A-C, D4-225A-D, D4-225I-B, D4-225I-C, D4-225I-D, D4-260A-A, D4-260A-B, D4-260A-C, D4-260A-D, D4-260D-B, D4-260D-C, D4-260D-D, D4-260I-A, D4-260I-B, D4-260I-C, D4-260I-D, D4-300A-A, D4-300A-C, D4-300A-D, D4-300D-A, D4-300D-C, D4-300D-D, D4-300I-A, D4-300I-C, D4-300I-D, D4-180I-E, D4-225A-E, D4-225I-E, D4-260A-E, D4-260D-E, D4-260I-E, D4-300A-E, D4-300D-E, D4-300I-E

REF	PART NO.	QTY	DESCRIPTION	NOTES
1	21145832	1	Hot water outlet	(3584236)
2	961657	1	* Hose nipple	
3	993178	1	* Hose nipple	
4	3584238	2	* Faucet	
5	3584388	1	* Elbow nipple	
6	961666	2	Hose clamp	

D4-180I-B, D4-180I-C, D4-180I-D, D4-210A-A, D4-210A-B, D4-210I-A, D4-210I-B, D4-225A-B, D4-225A-C, D4-225A-D, D4-225I-B, D4-225I-C, D4-225I-D, D4-260A-A, D4-260A-B, D4-260A-C, D4-260A-D, D4-260D-B, D4-260D-C, D4-260D-D, D4-260I-A, D4-260I-B, D4-260I-C, D4-260I-D, D4-300A-A, D4-300A-C, D4-300A-D, D4-300D-A, D4-300D-C, D4-300D-D, D4-300I-A, D4-300I-C, D4-300I-D, D4-180I-E, D4-225A-E, D4-225I-E, D4-260A-E, D4-260D-E, D4-260I-E, D4-300A-E, D4-300D-E, D4-300I-E

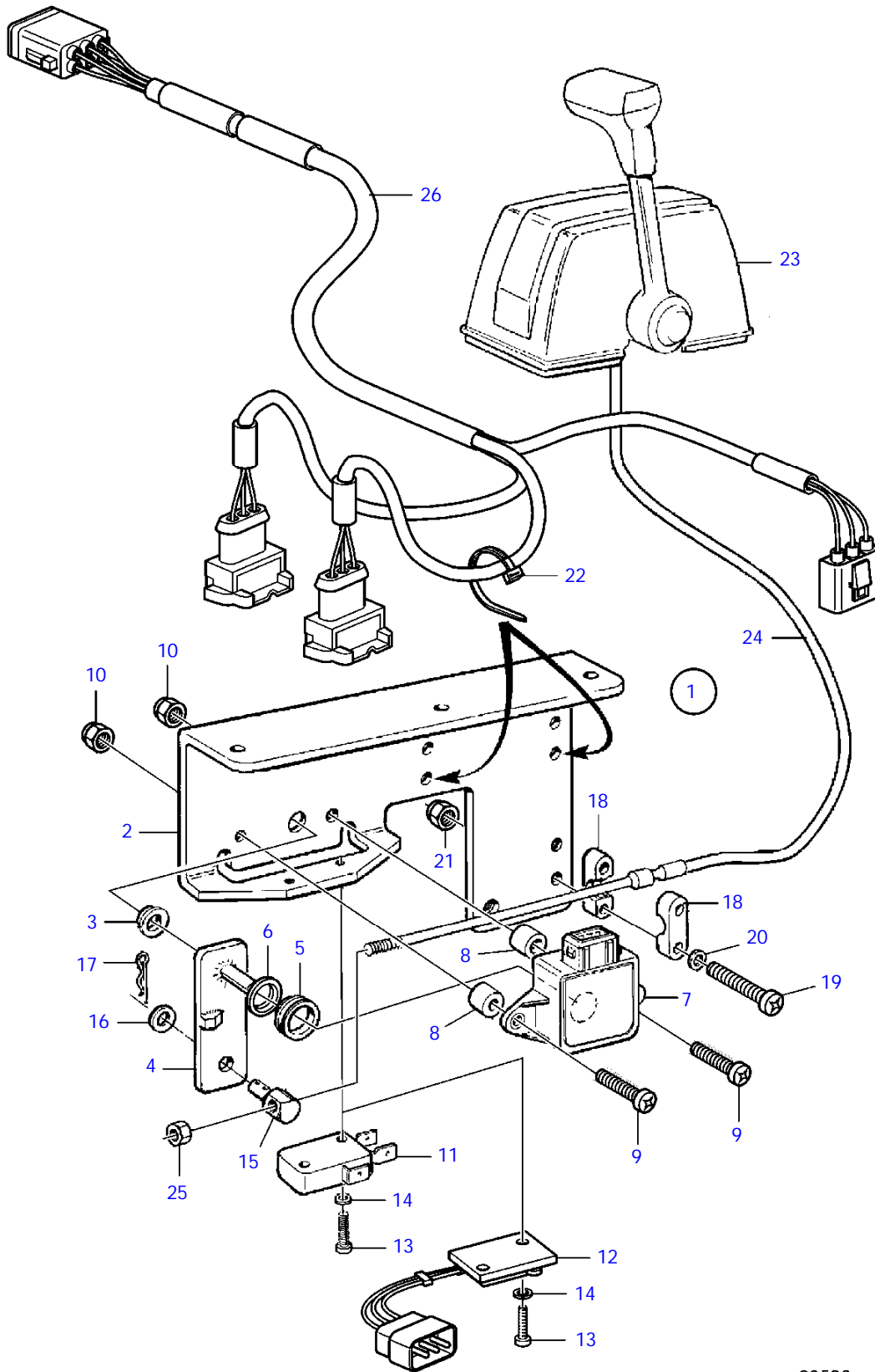


20364

D4-180I-B, D4-180I-C, D4-180I-D, D4-210A-A, D4-210A-B, D4-210I-A, D4-210I-B, D4-225A-B, D4-225A-C, D4-225A-D, D4-225I-B, D4-225I-C, D4-225I-D, D4-260A-A, D4-260A-B, D4-260A-C, D4-260A-D, D4-260D-B, D4-260D-C, D4-260D-D, D4-260I-A, D4-260I-B, D4-260I-C, D4-260I-D, D4-300A-A, D4-300A-C, D4-300A-D, D4-300D-A, D4-300D-C, D4-300D-D, D4-300I-A, D4-300I-C, D4-300I-D, D4-180I-E, D4-225A-E, D4-225I-E, D4-260A-E, D4-260D-E, D4-260I-E, D4-300A-E, D4-300D-E, D4-300I-E

REF	PART NO.	QTY	DESCRIPTION
1	3587668	1	Water inlet
2	848321	1	* Strainer
3	848323	1	* Flange nut
4	3837938	1	* Ball valve
5	3586998	1	* Hose connection
6	961671	2	* Hose clamp

D4-180I-B, D4-180I-C, D4-180I-D, D4-210I-A, D4-210I-B, D4-225I-B, D4-225I-C, D4-225I-D, D4-260I-A, D4-260I-B, D4-260I-C, D4-260I-D, D4-300I-A, D4-300I-C, D4-300I-D, D4-180I-E, D4-225I-E, D4-260I-E, D4-300I-E

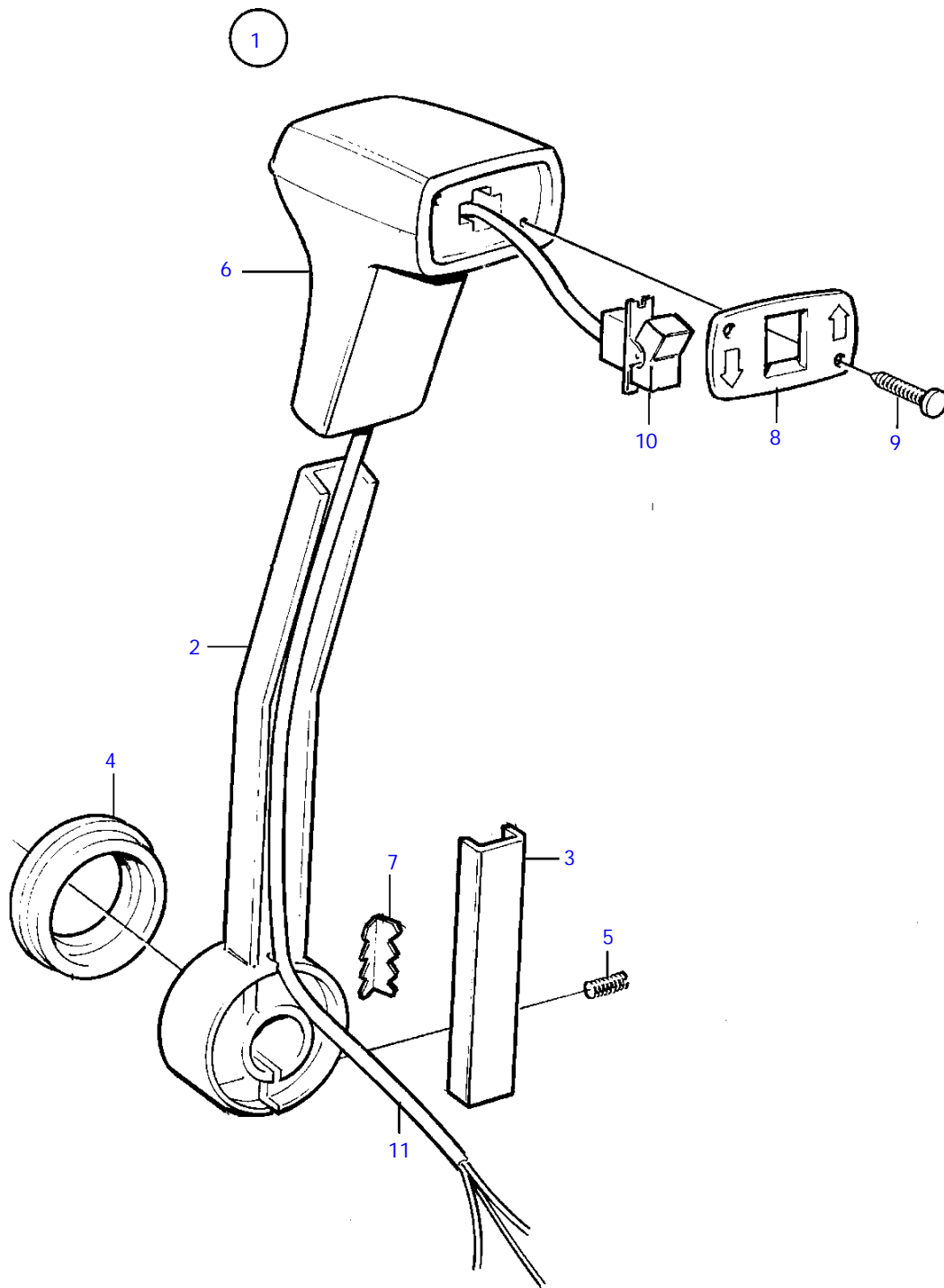


23520

D4-180I-B, D4-180I-C, D4-180I-D, D4-210I-A, D4-210I-B, D4-225I-B, D4-225I-C, D4-225I-D, D4-260I-A, D4-260I-B, D4-260I-C, D4-260I-D, D4-300I-A, D4-300I-C, D4-300I-D, D4-180I-E, D4-225I-E, D4-260I-E, D4-300I-E

REF	PART NO.	QTY	DESCRIPTION	SEE SEC.	NOTES
1	3842182	1	Adapler		
2		1	* Bracket		
3	3829680	1	* Bushing		
4	3825366	1	* Intermediate lever		
5	943342	1	* Sealing ring		
6	3829681	1	* Washer		
7	1336385	1	* Potentiometer		
8	3825525	2	* Spacer sleeve		
9	969518	2	* 6 point socket screw		L=25mm
10	963103	2	* Lock nut		
11	850200	1	* Toggle switch		Early type
12	3842171	1	* Microswitch		Late type
13	956049	2	* Cross recessed screw		
14	955890	2	* Washer		
15	814082	1	* Cube		
16	955892	1	* Washer		
17	664822	1	* Split pin		
18	850361	2	* Cable attachment		
19	956081	2	* Cross recessed screw		
20	940090	2	* Washer		
21	949874	2	* Flange lock nut		
22	948211	2	* Cable tie		
23		1	Control		
24		1	Control cable	231	
25		1	* Nut		
26	874676	1	Cable kit		

D4-180I-B, D4-180I-C, D4-180I-D, D4-210A-A, D4-210A-B, D4-210I-A, D4-210I-B, D4-225A-B, D4-225A-C, D4-225A-D, D4-225I-B, D4-225I-C, D4-225I-D, D4-260A-A, D4-260A-B, D4-260A-C, D4-260A-D, D4-260D-B, D4-260D-C, D4-260D-D, D4-260I-A, D4-260I-B, D4-260I-C, D4-260I-D, D4-300A-A, D4-300A-C, D4-300A-D, D4-300D-A, D4-300D-C, D4-300D-D, D4-300I-A, D4-300I-C, D4-300I-D, D4-180I-E, D4-225A-E, D4-225I-E, D4-260A-E, D4-260D-E, D4-260I-E, D4-300A-E, D4-300D-E, D4-300I-E



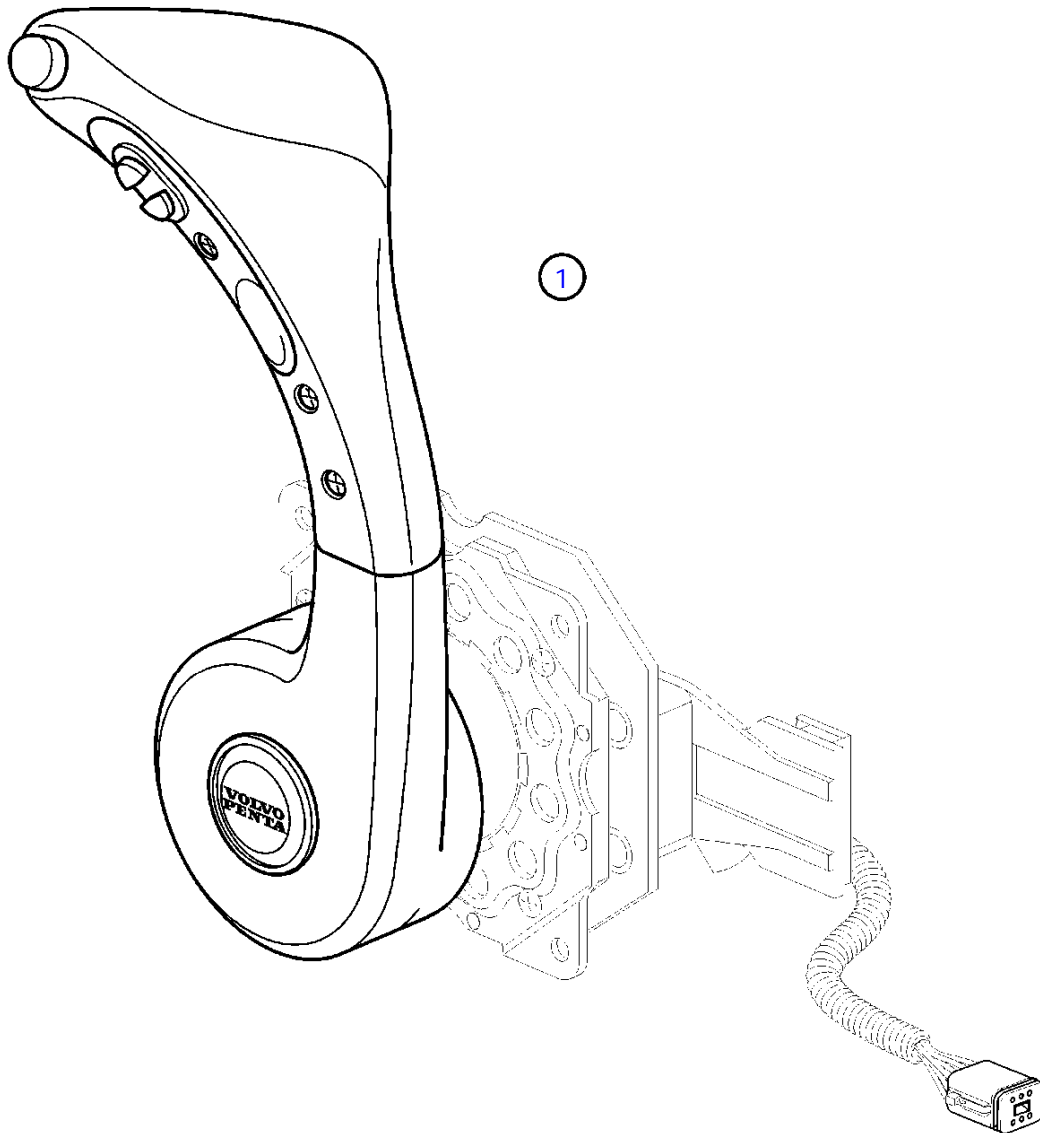
18646

D4-180I-B, D4-180I-C, D4-180I-D, D4-210A-A, D4-210A-B, D4-210I-A, D4-210I-B, D4-225A-B, D4-225A-C, D4-225A-D, D4-225I-B, D4-225I-C, D4-225I-D, D4-260A-A, D4-260A-B, D4-260A-C, D4-260A-D, D4-260D-B, D4-260D-C, D4-260D-D, D4-260I-A, D4-260I-B, D4-260I-C, D4-260I-D, D4-300A-A, D4-300A-C, D4-300A-D, D4-300D-A, D4-300D-C, D4-300D-D, D4-300I-A, D4-300I-C, D4-300I-D, D4-180I-E, D4-225A-E, D4-225I-E, D4-260A-E, D4-260D-E, D4-260I-E, D4-300A-E, D4-300D-E, D4-300I-E

REF	PART NO.	QTY	DESCRIPTION
1	21186619	1	Control lever
2	828911	1	* Hand lever
3	852991	1	* Rail
4	852995	1	* Ring
5	963678	1	* Hex. socket screw
6	852989	1	* Handle
7	853000	1	* Striker plate
8	3818553	1	* Connector cap
9	853003	2	* Nail
10	853311	1	* Switch
11	3841734	1	* Cable kit



D4-180I-B, D4-180I-C, D4-180I-D, D4-210A-A, D4-210A-B, D4-210I-A, D4-210I-B, D4-225A-B, D4-225A-C, D4-225A-D, D4-225I-B, D4-225I-C, D4-225I-D, D4-260A-A, D4-260A-B, D4-260A-C, D4-260A-D, D4-260D-B, D4-260D-C, D4-260D-D, D4-260I-A, D4-260I-B, D4-260I-C, D4-260I-D, D4-300A-A, D4-300A-C, D4-300A-D, D4-300D-A, D4-300D-C, D4-300D-D, D4-300I-A, D4-300I-C, D4-300I-D, D4-180I-E, D4-225A-E, D4-225I-E, D4-260A-E, D4-260D-E, D4-260I-E, D4-300A-E, D4-300D-E, D4-300I-E

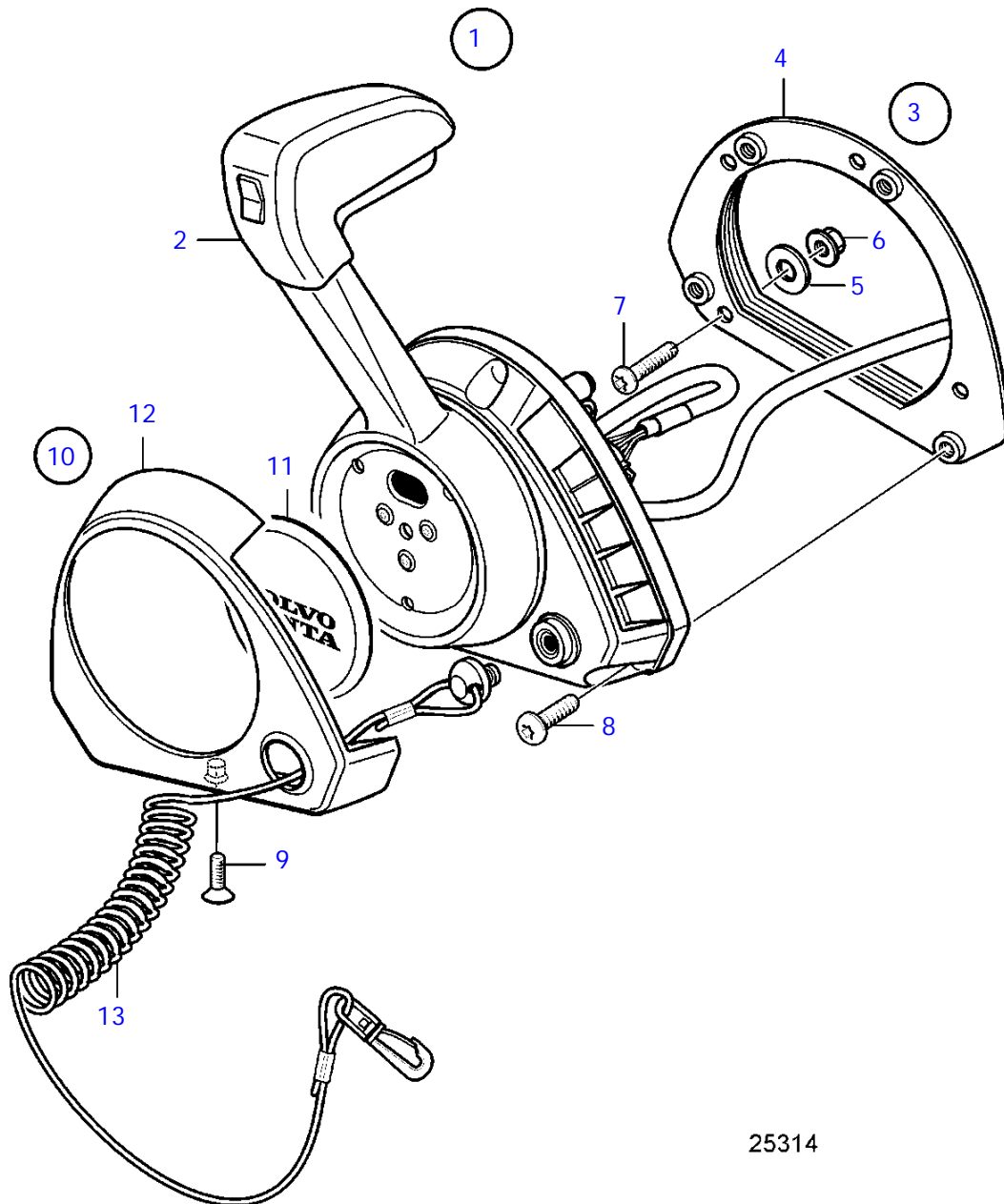


22003

D4-180I-B, D4-180I-C, D4-180I-D, D4-210A-A, D4-210A-B, D4-210I-A, D4-210I-B, D4-225A-B, D4-225A-C, D4-225A-D, D4-225I-B, D4-225I-C, D4-225I-D, D4-260A-A, D4-260A-B, D4-260A-C, D4-260A-D, D4-260D-B, D4-260D-C, D4-260D-D, D4-260I-A, D4-260I-B, D4-260I-C, D4-260I-D, D4-300A-A, D4-300A-C, D4-300A-D, D4-300D-A, D4-300D-C, D4-300D-D, D4-300I-A, D4-300I-C, D4-300I-D, D4-180I-E, D4-225A-E, D4-225I-E, D4-260A-E, D4-260D-E, D4-260I-E, D4-300A-E, D4-300D-E, D4-300I-E

REF	PART NO.	QTY	DESCRIPTION	NOTES
1	3841449	1	Kit	
	3847394	1	Control	With harness for trim system
			* parts not sold separately	

D4-180I-B, D4-180I-C, D4-180I-D, D4-210A-A, D4-210A-B, D4-210I-A, D4-210I-B, D4-225A-B, D4-225A-C, D4-225A-D, D4-225I-B, D4-225I-C, D4-225I-D, D4-260A-A, D4-260A-B, D4-260A-C, D4-260A-D, D4-260D-B, D4-260D-C, D4-260D-D, D4-260I-A, D4-260I-B, D4-260I-C, D4-260I-D, D4-300A-A, D4-300A-C, D4-300A-D, D4-300D-A, D4-300D-C, D4-300D-D, D4-300I-A, D4-300I-C, D4-300I-D, D4-180I-E, D4-225A-E, D4-225I-E, D4-260A-E, D4-260D-E, D4-260I-E, D4-300A-E, D4-300D-E, D4-300I-E

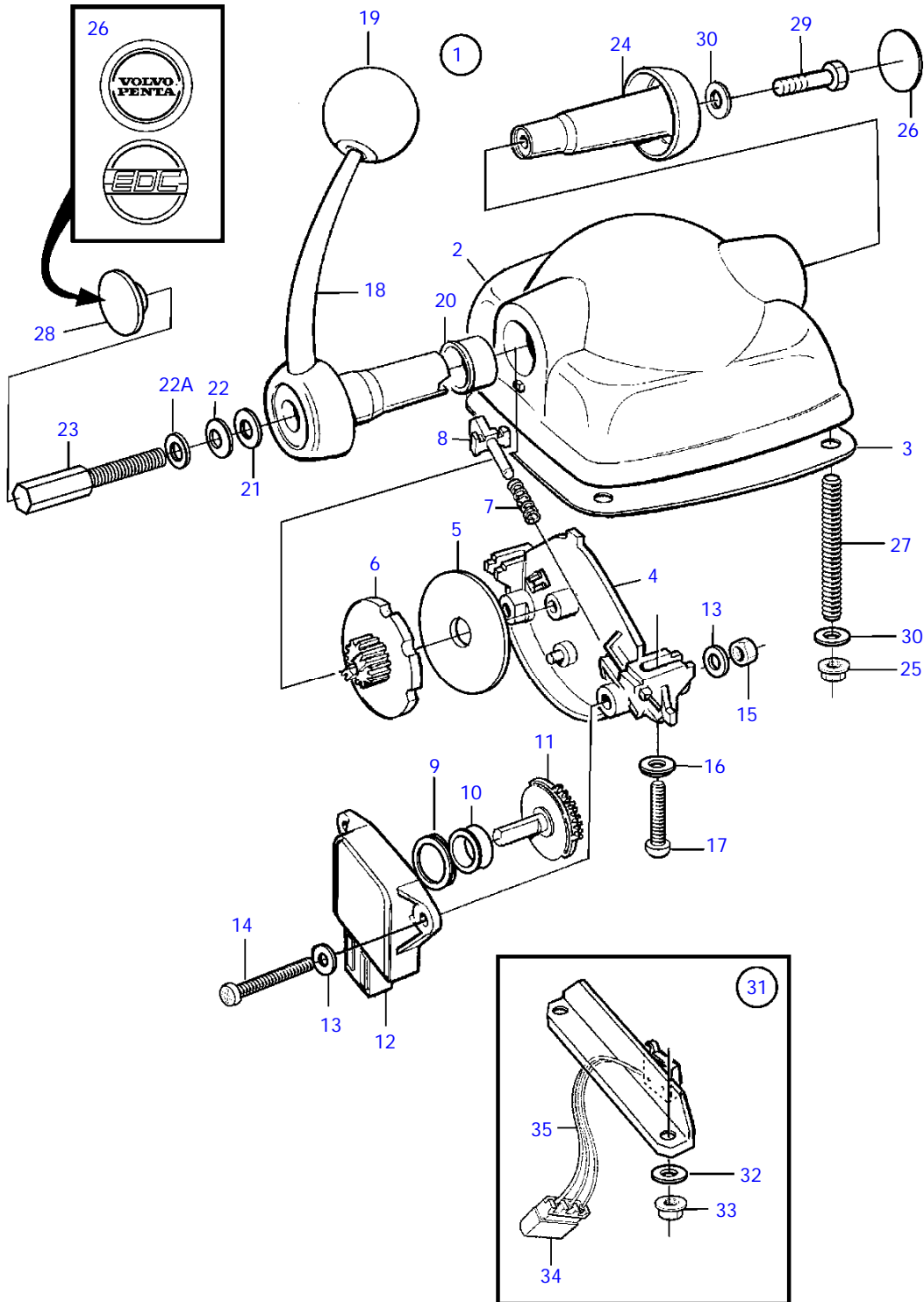


25314

D4-180I-B, D4-180I-C, D4-180I-D, D4-210A-A, D4-210A-B, D4-210I-A, D4-210I-B, D4-225A-B, D4-225A-C, D4-225A-D, D4-225I-B, D4-225I-C, D4-225I-D, D4-260A-A, D4-260A-B, D4-260A-C, D4-260A-D, D4-260D-B, D4-260D-C, D4-260D-D, D4-260I-A, D4-260I-B, D4-260I-C, D4-260I-D, D4-300A-A, D4-300A-C, D4-300A-D, D4-300D-A, D4-300D-C, D4-300D-D, D4-300I-A, D4-300I-C, D4-300I-D, D4-180I-E, D4-225A-E, D4-225I-E, D4-260A-E, D4-260D-E, D4-260I-E, D4-300A-E, D4-300D-E, D4-300I-E

REF	PART NO.	QTY	DESCRIPTION	NOTES
1	21462015	1	Control lever	
	3586259	1	Software	Vodia-programming. This p/n can not be ordered, but will be used for invoicing.
	3586261	1	Software	Warehouse programming. This p/n can not be ordered, but will be used for invoicing.
2		1	* Control lever	
3	21461723	1	* Installation kit	
4	(21461725)	1	* • Bracket	Obsolete part
5	940191	4	* • Washer	
6	966170	4	* • Lock nut	
7	(994914)	4	* Hex. socket screw	Obsolete part
8	(995201)	4	* Hex. socket screw	Obsolete part
9	(969868)	1	* 6 point socket screw	Obsolete part
10	(21572761)	1	* Cover	Obsolete part
11			* • Cover	
12			* • Cover	
13	21552068	1	* Safety strap	

D4-180I-B, D4-180I-C, D4-180I-D, D4-210A-A, D4-210A-B, D4-210I-A, D4-210I-B, D4-225A-B, D4-225A-C, D4-225A-D, D4-225I-B, D4-225I-C, D4-225I-D, D4-260A-A, D4-260A-B, D4-260A-C, D4-260A-D, D4-260D-B, D4-260D-C, D4-260D-D, D4-260I-A, D4-260I-B, D4-260I-C, D4-260I-D, D4-300A-A, D4-300A-C, D4-300A-D, D4-300D-A, D4-300D-C, D4-300D-D, D4-300I-A, D4-300I-C, D4-300I-D, D4-180I-E, D4-225A-E, D4-225I-E, D4-260A-E, D4-260D-E, D4-260I-E, D4-300A-E, D4-300D-E, D4-300I-E

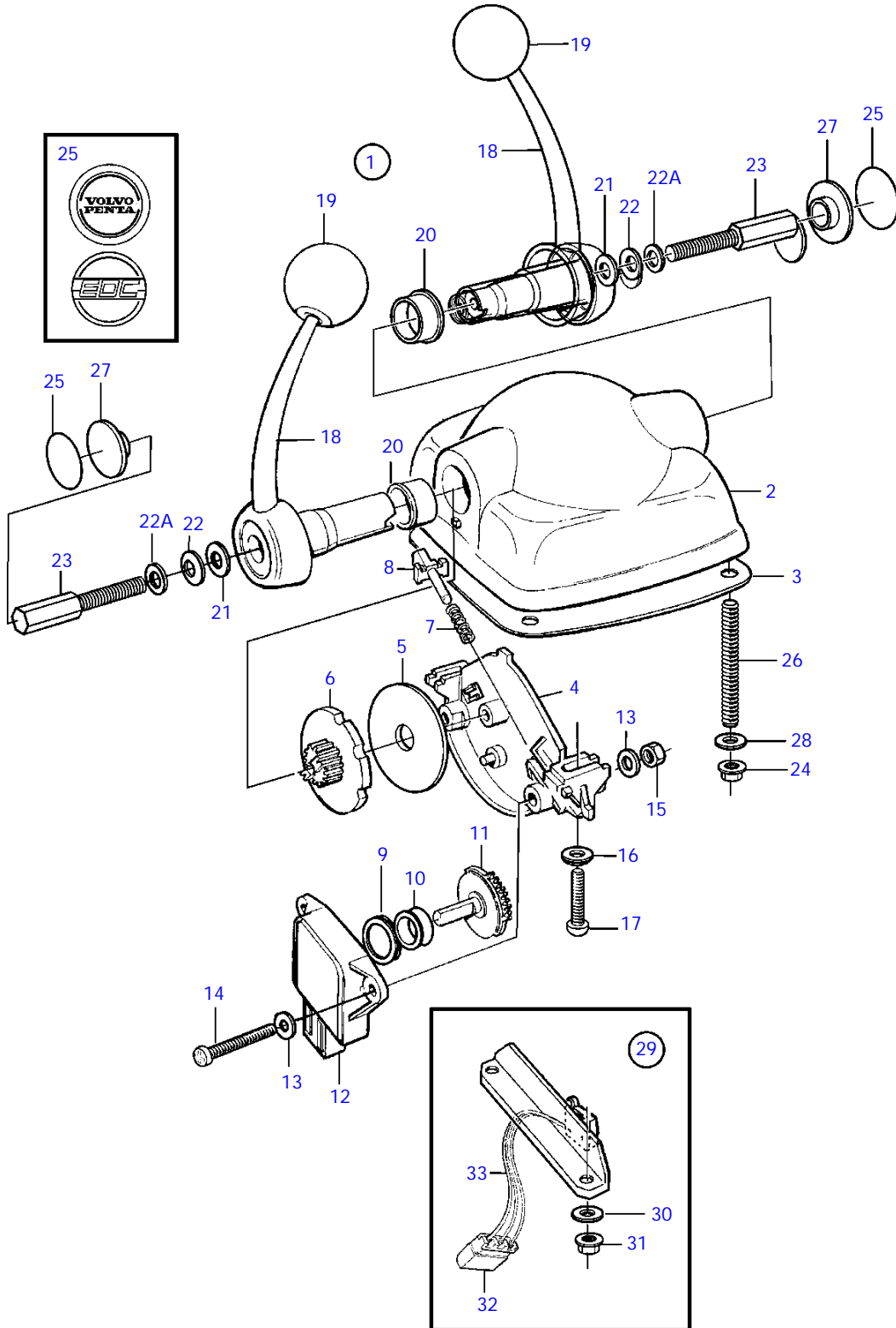


21948

D4-180I-B, D4-180I-C, D4-180I-D, D4-210A-A, D4-210A-B, D4-210I-A, D4-210I-B, D4-225A-B, D4-225A-C, D4-225A-D, D4-225I-B, D4-225I-C, D4-225I-D, D4-260A-A, D4-260A-B, D4-260A-C, D4-260A-D, D4-260D-B, D4-260D-C, D4-260D-D, D4-260I-A, D4-260I-B, D4-260I-C, D4-260I-D, D4-300A-A, D4-300A-C, D4-300A-D, D4-300D-A, D4-300D-C, D4-300D-D, D4-300I-A, D4-300I-C, D4-300I-D, D4-180I-E, D4-225A-E, D4-225I-E, D4-260A-E, D4-260D-E, D4-260I-E, D4-300A-E, D4-300D-E, D4-300I-E

REF	PART NO.	QTY	DESCRIPTION	SEE SEC.	NOTES
1	3819899	1	Control		For single installation., Black.
			* Bulletin P-28-4-13	P-28-4-13-EN	New Electronic Controls for EVC Engines
1	3819901	1	Control		For single installation., Stainless.
			* Bulletin P-28-4-13	P-28-4-13-EN	New Electronic Controls for EVC Engines
2		1	* Housing		
3	3581674	1	* Gasket		
4		1	* Plate		
5	3581666	1	* Friction washer		
6		1	* Disc		
7		1	* Spring		
8		1	* Guide lug		
9		1	* Spacer ring		
10	3581676	1	* Ring		
11	(3581668)	1	* Gear		Obsolete part
12	1336385	1	* Potentiometer		
13		4	* Washer		
14	3581678	2	* Screw		
15	3581680	2	* Nut		
16		2	* Washer		
17	3581681	2	* Screw		
18		1	* Shift lever		
19	3581675	1	* Ball		
20	(3581673)	1	* Bearing		Obsolete part
21		1	* Washer		
22		1	* Disc spring		
22A		1	* Washer		
23		1	* Adjusting screw		
24	3581687	1	* Plug		
25	3581686	4	* Nut		
26	3584000	1	* Decal		Volvo Penta
	3581669	1	* Decal		EDC
27		4	* Stud		
28	3582830	1	* Plug		Plastic, For 874734
29		1	* Plug		Stainless., For 3807509
		1	* Screw		
30		5	* Washer		
31	3819903	1	* Microswitch		
32		2	* Washer		
33		2	* Nut		
34		X	* Insulator		See group 30
35		X	* Cable		See group 30

D4-180I-B, D4-180I-C, D4-180I-D, D4-210A-A, D4-210A-B, D4-210I-A, D4-210I-B, D4-225A-B, D4-225A-C, D4-225A-D, D4-225I-B, D4-225I-C, D4-225I-D, D4-260A-A, D4-260A-B, D4-260A-C, D4-260A-D, D4-260D-B, D4-260D-C, D4-260D-D, D4-260I-A, D4-260I-B, D4-260I-C, D4-260I-D, D4-300A-A, D4-300A-C, D4-300A-D, D4-300D-A, D4-300D-C, D4-300D-D, D4-300I-A, D4-300I-C, D4-300I-D, D4-180I-E, D4-225A-E, D4-225I-E, D4-260A-E, D4-260D-E, D4-260I-E, D4-300A-E, D4-300D-E, D4-300I-E

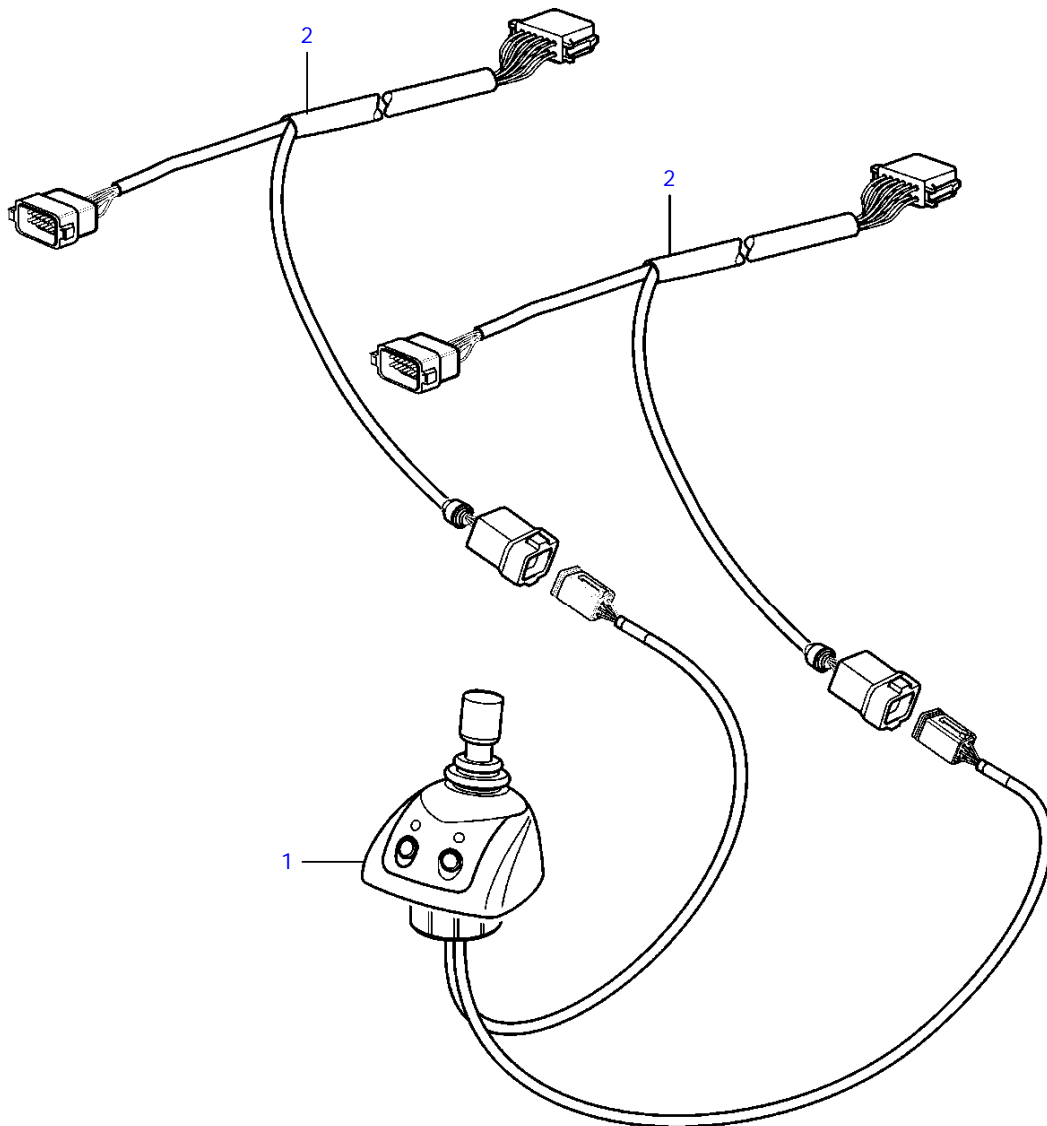


21947

D4-180I-B, D4-180I-C, D4-180I-D, D4-210A-A, D4-210A-B, D4-210I-A, D4-210I-B, D4-225A-B, D4-225A-C, D4-225A-D, D4-225I-B, D4-225I-C, D4-225I-D, D4-260A-A, D4-260A-B, D4-260A-C, D4-260A-D, D4-260D-B, D4-260D-C, D4-260D-D, D4-260I-A, D4-260I-B, D4-260I-C, D4-260I-D, D4-300A-A, D4-300A-C, D4-300A-D, D4-300D-A, D4-300D-C, D4-300D-D, D4-300I-A, D4-300I-C, D4-300I-D, D4-180I-E, D4-225A-E, D4-225I-E, D4-260A-E, D4-260D-E, D4-260I-E, D4-300A-E, D4-300D-E, D4-300I-E

REF	PART NO.	QTY	DESCRIPTION	SEE SEC.	NOTES
1	3819900	1	Control, black		For twin installation., Black., With neutralswitch.
			* Bulletin P-28-4-13	P-28-4-13-EN	New Electronic Controls for EVC Engines
1	3819902	1	Control, stainless		For twin installation., Stainless., With neutralswitch.
			* Bulletin P-28-4-13	P-28-4-13-EN	New Electronic Controls for EVC Engines
2		1	* Housing		
3	3581674	1	* Gasket		
4		1	* Plate		
5	3581666	2	* Friction washer		
6		2	* Disc		
7		2	* Spring		
8		2	* Guide lug		
9		2	* Spacer ring		
10	3581676	2	* Ring		
11	(3581668)	2	* Gear		Obsolete part
12	1336385	2	* Potentiometer		
13		4	* Washer		
14	3581678	2	* Screw		
15	3581680	2	* Nut		
16		2	* Washer		
17	3581681	2	* Screw		
18		2	* Shift lever		
19	3581675	2	* Ball		
20	(3581673)	2	* Bearing		Obsolete part
21		2	* Washer		
22		2	* Disc spring		
22A		2	* Washer		
23		2	* Adjusting screw		
24	3581686	4	* Nut		
25	3584000	2	* Decal		Volvo Penta
	3581669	2	* Decal		EDC
26		4	* Stud		
27	3582830	2	* Plug		Plastic, For 874663
		2	* Plug		Stainless., For 874813
28		4	* Washer		
29	3819903	2	* Microswitch		
30		4	* Washer		
31		4	* Nut		
32		X	* Insulator		See group 30
33		X	* Cable		See group 30

D4-180I-B, D4-180I-C, D4-180I-D, D4-210A-A, D4-210A-B, D4-210I-A, D4-210I-B, D4-225A-B, D4-225A-C, D4-225A-D, D4-225I-B, D4-225I-C, D4-225I-D, D4-260A-A, D4-260A-B, D4-260A-C, D4-260A-D, D4-260D-B, D4-260D-C, D4-260D-D, D4-260I-A, D4-260I-B, D4-260I-C, D4-260I-D, D4-300A-A, D4-300A-C, D4-300A-D, D4-300D-A, D4-300D-C, D4-300D-D, D4-300I-A, D4-300I-C, D4-300I-D, D4-180I-E, D4-225A-E, D4-225I-E, D4-260A-E, D4-260D-E, D4-260I-E, D4-300A-E, D4-300D-E, D4-300I-E

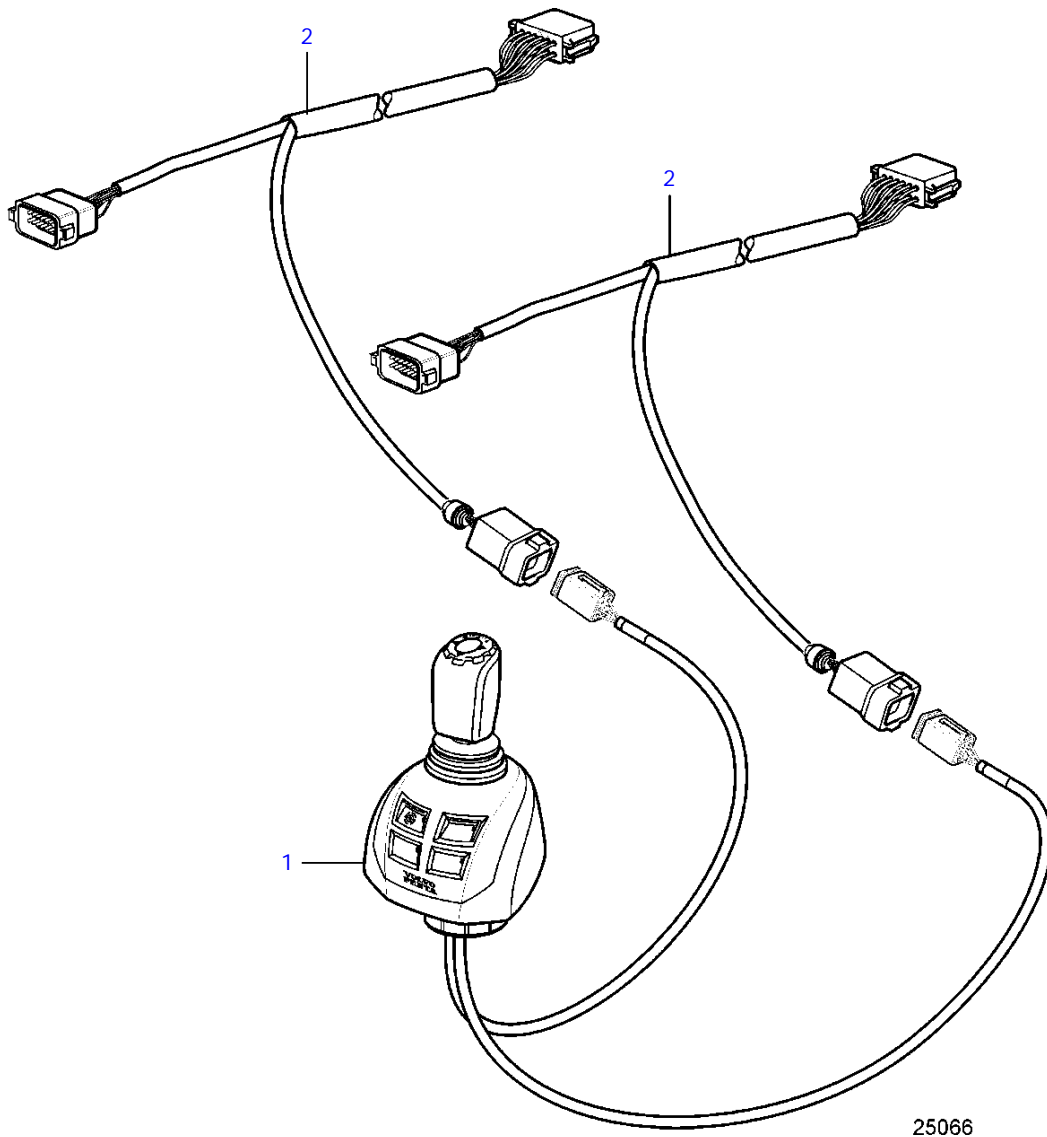


23508

D4-180I-B, D4-180I-C, D4-180I-D, D4-210A-A, D4-210A-B, D4-210I-A, D4-210I-B, D4-225A-B, D4-225A-C, D4-225A-D, D4-225I-B, D4-225I-C, D4-225I-D, D4-260A-A, D4-260A-B, D4-260A-C, D4-260A-D, D4-260D-B, D4-260D-C, D4-260D-D, D4-260I-A, D4-260I-B, D4-260I-C, D4-260I-D, D4-300A-A, D4-300A-C, D4-300A-D, D4-300D-A, D4-300D-C, D4-300D-D, D4-300I-A, D4-300I-C, D4-300I-D, D4-180I-E, D4-225I-E, D4-260A-E, D4-260D-E, D4-260I-E, D4-300A-E, D4-300D-E, D4-300I-E

REF	PART NO.	QTY	DESCRIPTION
1	3884795	1	Steering system * parts not sold separately
2	3885342	2	Wiring harness

D4-260D-B, D4-260D-C, D4-260D-D, D4-300D-A, D4-300D-C, D4-300D-D, D4-180I-E, D4-225A-E, D4-225I-E, D4-260A-E, D4-260D-E, D4-260I-E, D4-300A-E, D4-300D-E, D4-300I-E

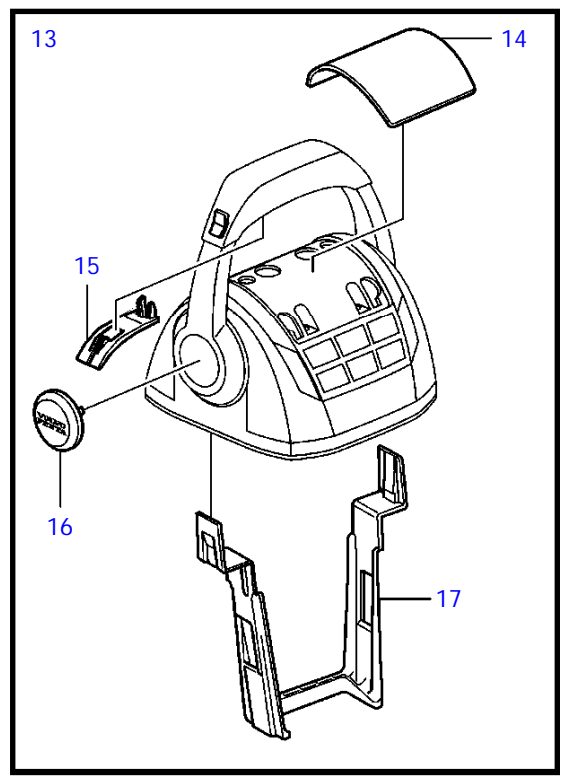
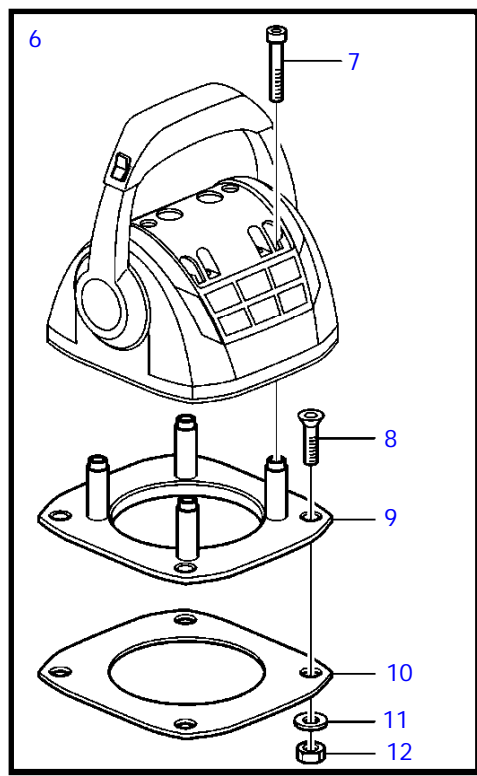
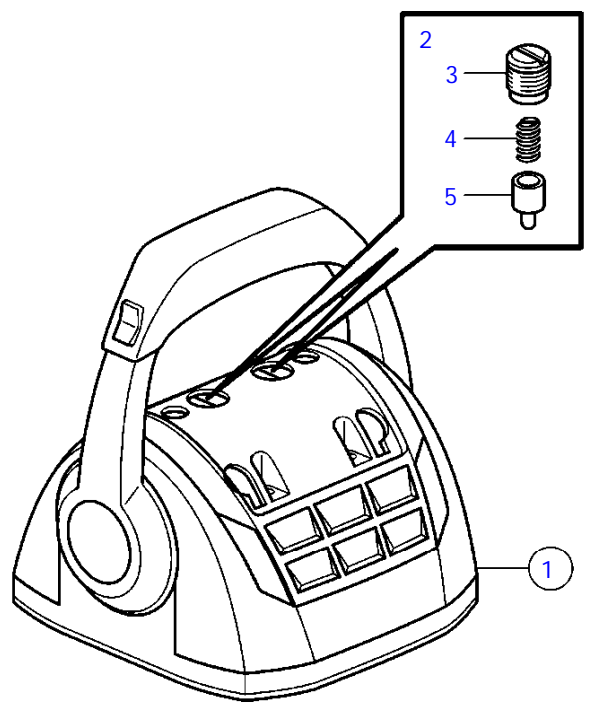


25066

D4-260D-B, D4-260D-C, D4-260D-D, D4-300D-A, D4-300D-C, D4-300D-D, D4-180I-E, D4-225A-E, D4-225I-E, D4-260A-E, D4-260D-E, D4-260I-E, D4-300A-E, D4-300D-E, D4-300I-E

REF	PART NO.	QTY	DESCRIPTION
1	21469528	1	Steering system
			* parts not sold separately
2	3885342	2	Wiring harness

D4-225A-E, D4-260A-E, D4-300A-E



25283

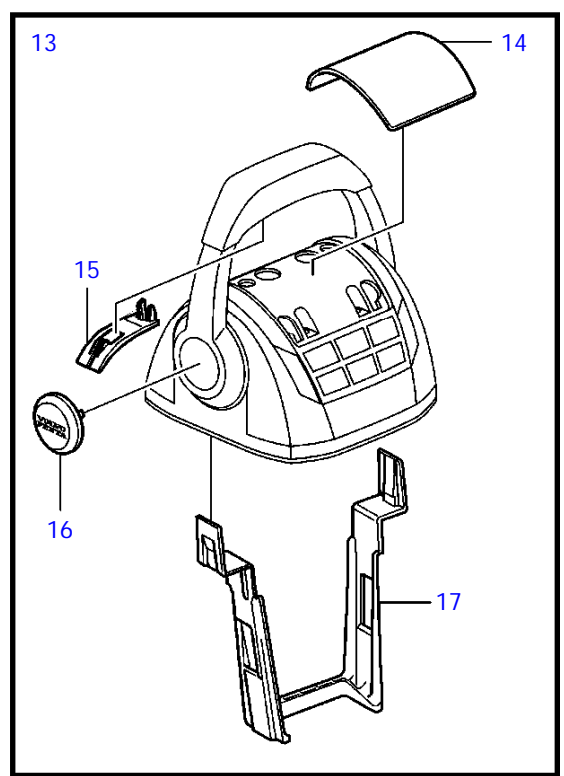
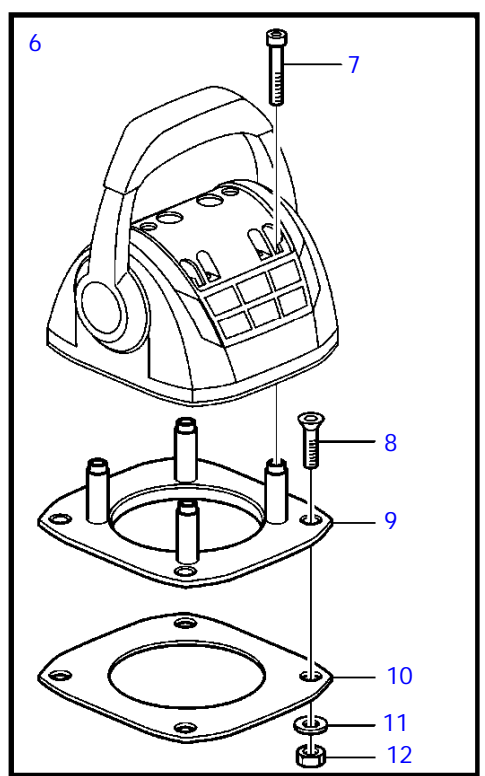
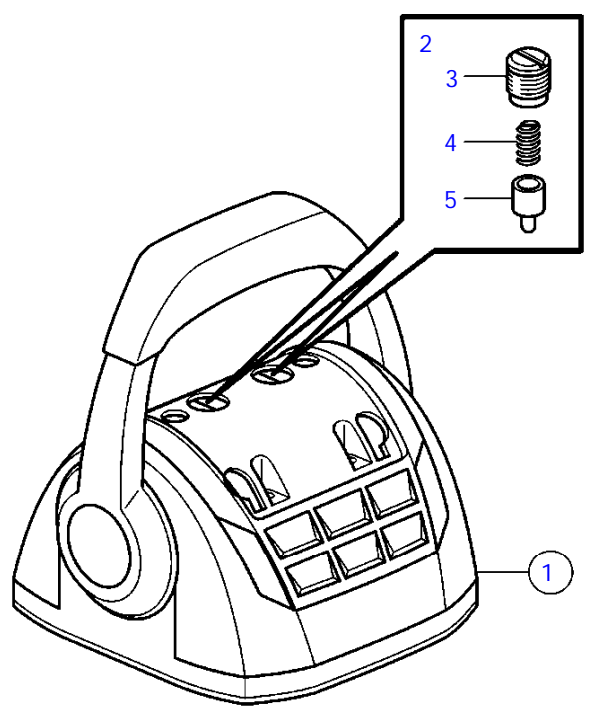


D4-225A-E, D4-260A-E, D4-300A-E

REF	PART NO.	QTY	DESCRIPTION	NOTES
1	21275308	1	Control lever	
	3586259	1	Software	Vodia-programming. This p/n can not be ordered, but will be used for invoicing.
	3586261	1	Software	Warehouse programming. This p/n can not be ordered, but will be used for invoicing.
2	21526920	1	* Spare parts kit, position sensor	
3		1	* * Tensioner	
4		1	* * Spring	
5		1	* * Pin	
6	21526948	1	* Kit, mounting bracket	
7	995042	4	* * Hex. socket screw	
8	994821	4	* * Hex. socket screw	
9	(21461704)	1	* * Bracket	Obsolete part
10		1	* * Gasket	
11	940275	4	* * Washer	
12	984456	4	* * Lock nut	
13	21527169	1	* Kit, plastic parts	
14	(21461681)	1	* * Cover	Obsolete part
15		2	* * Handle	
16		2	* * Hub cap	
17	21461675	1	Cable holder	

27 Electronic Speed Control without Trim Button, Inboard, EVC-D, Single Installation

D4-180I-E, D4-225I-E, D4-260I-E, D4-300I-E



25269

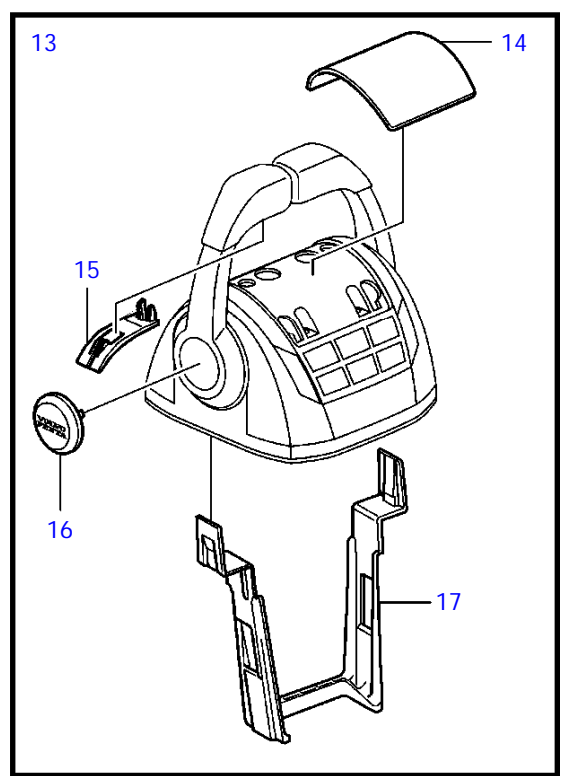
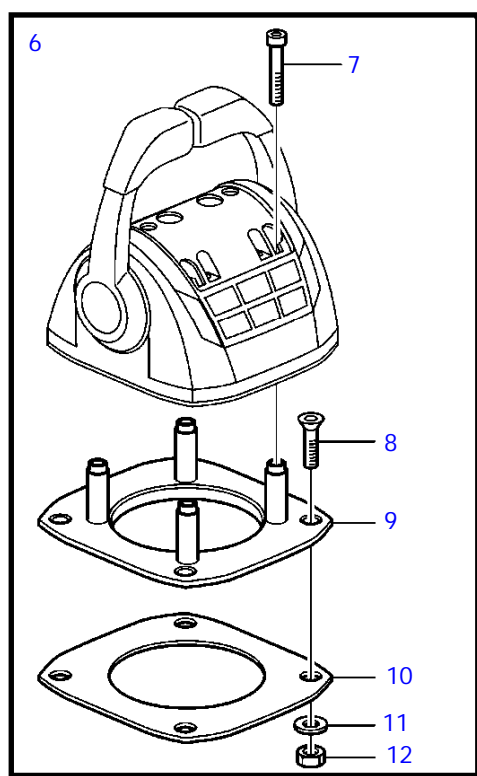
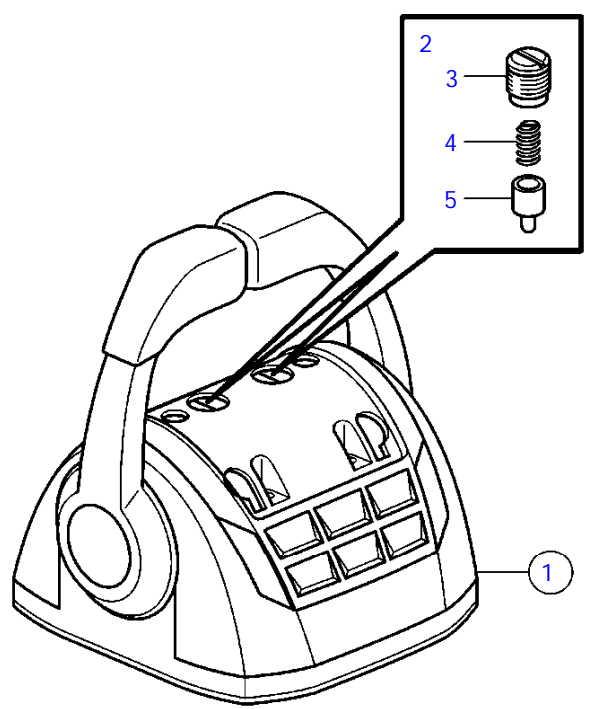


D4-180I-E, D4-225I-E, D4-260I-E, D4-300I-E

REF	PART NO.	QTY	DESCRIPTION	NOTES
1	21275312	1	Control lever	
	3586259	1	Software	Vodia-programming. This p/n can not be ordered, but will be used for invoicing.
	3586261	1	Software	Warehouse programming. This p/n can not be ordered, but will be used for invoicing.
2	21526920	1	* Spare parts kit, position sensor	
3		1	* * Tensioner	M14
4		1	* * Spring	
5		1	* * Pin	
6	21526948	1	* Kit, mounting bracket	
7	995042	4	* * Hex. socket screw	
8	994821	4	* * Hex. socket screw	
9	(21461704)	1	* * Bracket	Obsolete part
10		1	* * Gasket	
11	940275	4	* * Washer	
12	984456	4	* * Lock nut	
13	21527169	1	* Kit, plastic parts	
14	(21461681)	1	* * Cover	Obsolete part
15		2	* * Handle	
16		2	* * Hub cap	
17	21461675	1	Cable holder	

27 | **Electronic Speed Control without Trim Button, Inboard Alt. IPS, EVC-D, Twin Installation**

D4-180I-E, D4-225I-E, D4-260D-E, D4-260I-E, D4-300D-E, D4-300I-E



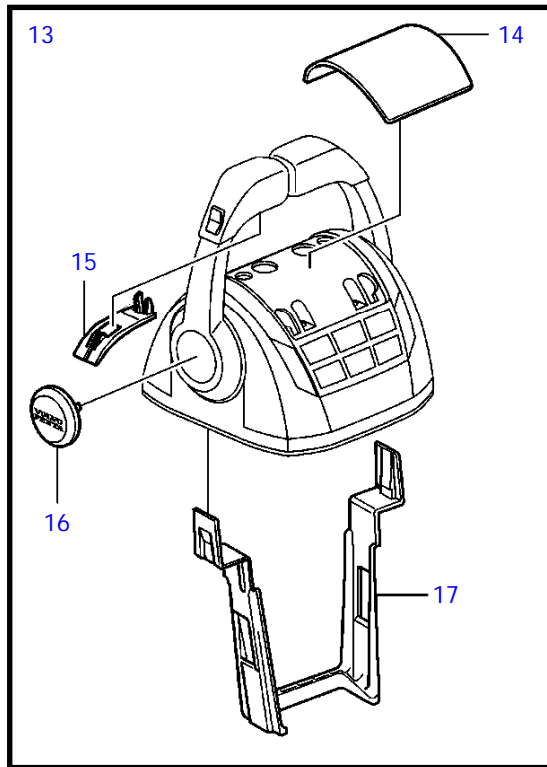
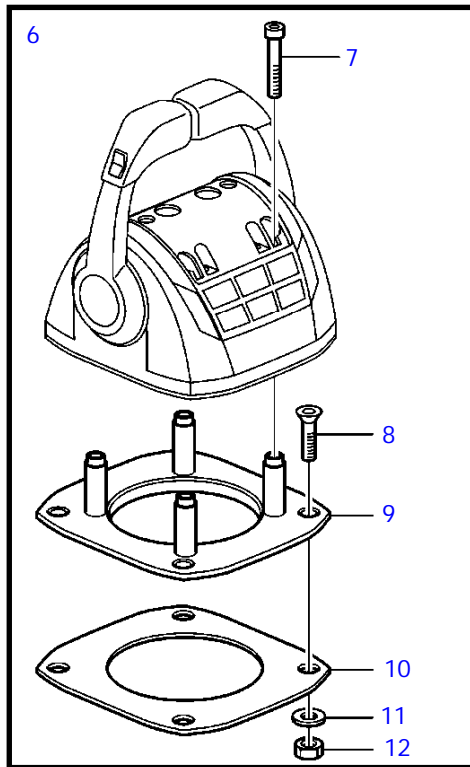
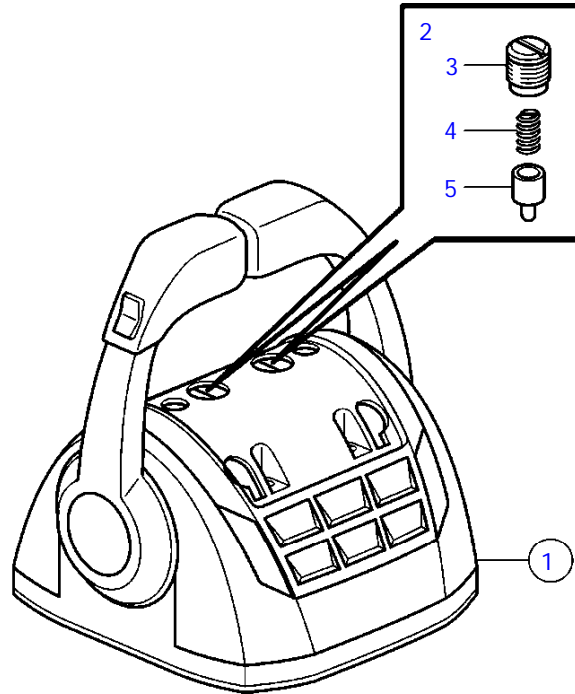
25270



D4-180I-E, D4-225I-E, D4-260D-E, D4-260I-E, D4-300D-E, D4-300I-E

REF	PART NO.	QTY	DESCRIPTION	NOTES
1	21275313	1	Control lever	
	3586259	2	Software	Vodia-programming. This p/n can not be ordered, but will be used for invoicing.
	3586261	2	Software	Warehouse programming. This p/n can not be ordered, but will be used for invoicing.
2	21526920	1	* Spare parts kit, position sensor	
3		1	* • Tensioner	M14
4		1	* • Spring	
5		1	* • Pin	
6	21526948	1	* Kit, mounting bracket	
7	995042	4	* • Hex. socket screw	
8	994821	4	* • Hex. socket screw	
9	(21461704)	1	* • Bracket	Obsolete part
10		1	* • Gasket	
11	940275	4	* • Washer	
12	984456	4	* • Lock nut	
13	21527169	1	* Kit, plastic parts	
14	(21461681)	1	* • Cover	Obsolete part
15		2	* • Handle	
16		2	* • Hub cap	
17	21461675	1	Cable holder	

D4-225A-E, D4-260A-E, D4-300A-E

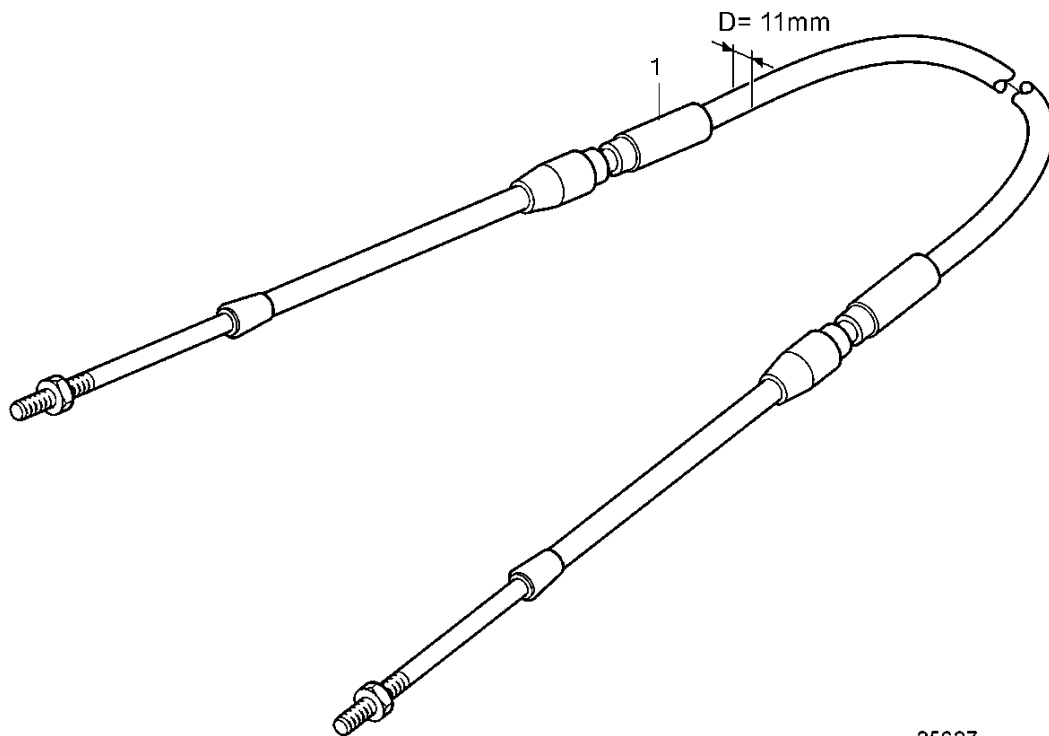


25284

D4-225A-E, D4-260A-E, D4-300A-E

REF	PART NO.	QTY	DESCRIPTION	NOTES
1	21275311	1	Control lever	
	3586259	2	Software	Vodia-programming. This p/n can not be ordered, but will be used for invoicing.
	3586261	2	Software	Warehouse programming. This p/n can not be ordered, but will be used for invoicing.
2	21526920	1	* Spare parts kit, position sensor	
3		1	* * Tensioner	M14
4		1	* * Spring	
5		1	* * Pin	
6	21526948	1	* Kit, mounting bracket	
7	995042	4	* * Hex. socket screw	
8	994821	4	* * Hex. socket screw	
9	(21461704)	1	* * Bracket	Obsolete part
10		1	* * Gasket	
11	940275	4	* * Washer	
12	984456	4	* * Lock nut	
13	21527169	1	* Kit, plastic parts	
14	(21461681)	1	* * Cover	Obsolete part
15		2	* * Handle	
16		2	* * Hub cap	
17	21461675	1	Cable holder	

D4-180I-B, D4-180I-C, D4-180I-D, D4-210A-A, D4-210A-B, D4-210I-A, D4-210I-B, D4-225A-B, D4-225A-C, D4-225A-D,
D4-225I-B, D4-225I-C, D4-225I-D, D4-260A-A, D4-260A-B, D4-260A-C, D4-260A-D, D4-260D-B, D4-260D-C, D4-260D-D,
D4-260I-A, D4-260I-B, D4-260I-C, D4-260I-D, D4-300A-A, D4-300A-C, D4-300A-D, D4-300D-A, D4-300D-C, D4-300D-D,
D4-300I-A, D4-300I-C, D4-300I-D, D4-180I-E, D4-225A-E, D4-225I-E, D4-260A-E, D4-260D-E, D4-260I-E, D4-300A-E,
D4-300D-E, D4-300I-E

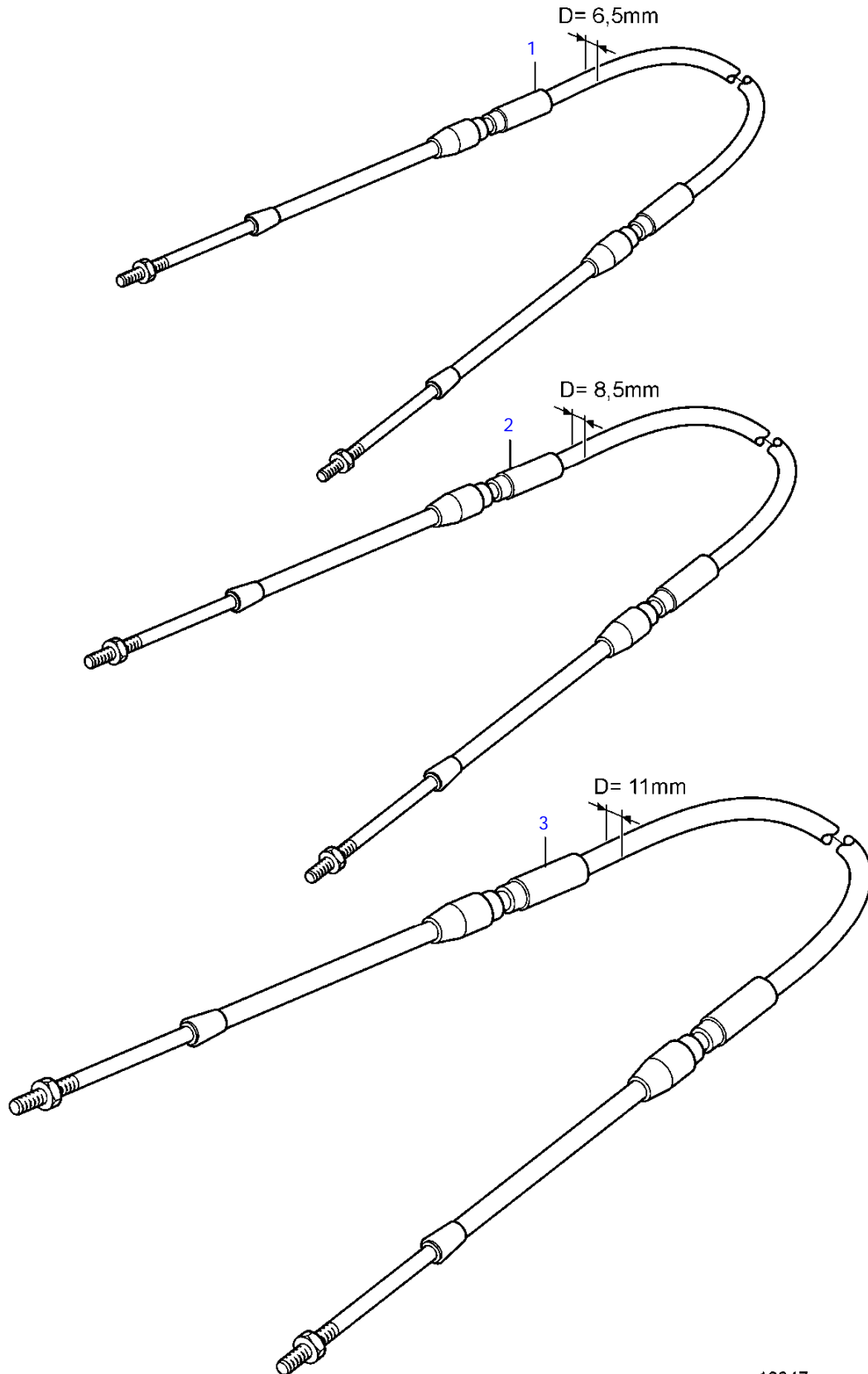


25627

D4-180I-B, D4-180I-C, D4-180I-D, D4-210A-A, D4-210A-B, D4-210I-A, D4-210I-B, D4-225A-B, D4-225A-C, D4-225A-D, D4-225I-B, D4-225I-C, D4-225I-D, D4-260A-A, D4-260A-B, D4-260A-C, D4-260A-D, D4-260D-B, D4-260D-C, D4-260D-D, D4-260I-A, D4-260I-B, D4-260I-C, D4-260I-D, D4-300A-A, D4-300A-C, D4-300A-D, D4-300D-A, D4-300D-C, D4-300D-D, D4-300I-A, D4-300I-C, D4-300I-D, D4-180I-E, D4-225A-E, D4-225I-E, D4-260A-E, D4-260D-E, D4-260I-E, D4-300A-E, D4-300D-E, D4-300I-E

REF	PART NO.	QTY	DESCRIPTION	NOTES
1	21633515	1	Control cable	44ft, L=13.40m
	21633516	1	Control cable	45ft, L=13.70m
	21633517	1	Control cable	46ft, L=14.00m
	21633518	1	Control cable	47ft, L=14.30m
	21633519	1	Control cable	48ft, L=14.60m
	21633520	1	Control cable	49ft, L=14.90m
	21633521	1	Control cable	50ft, L=15.20m

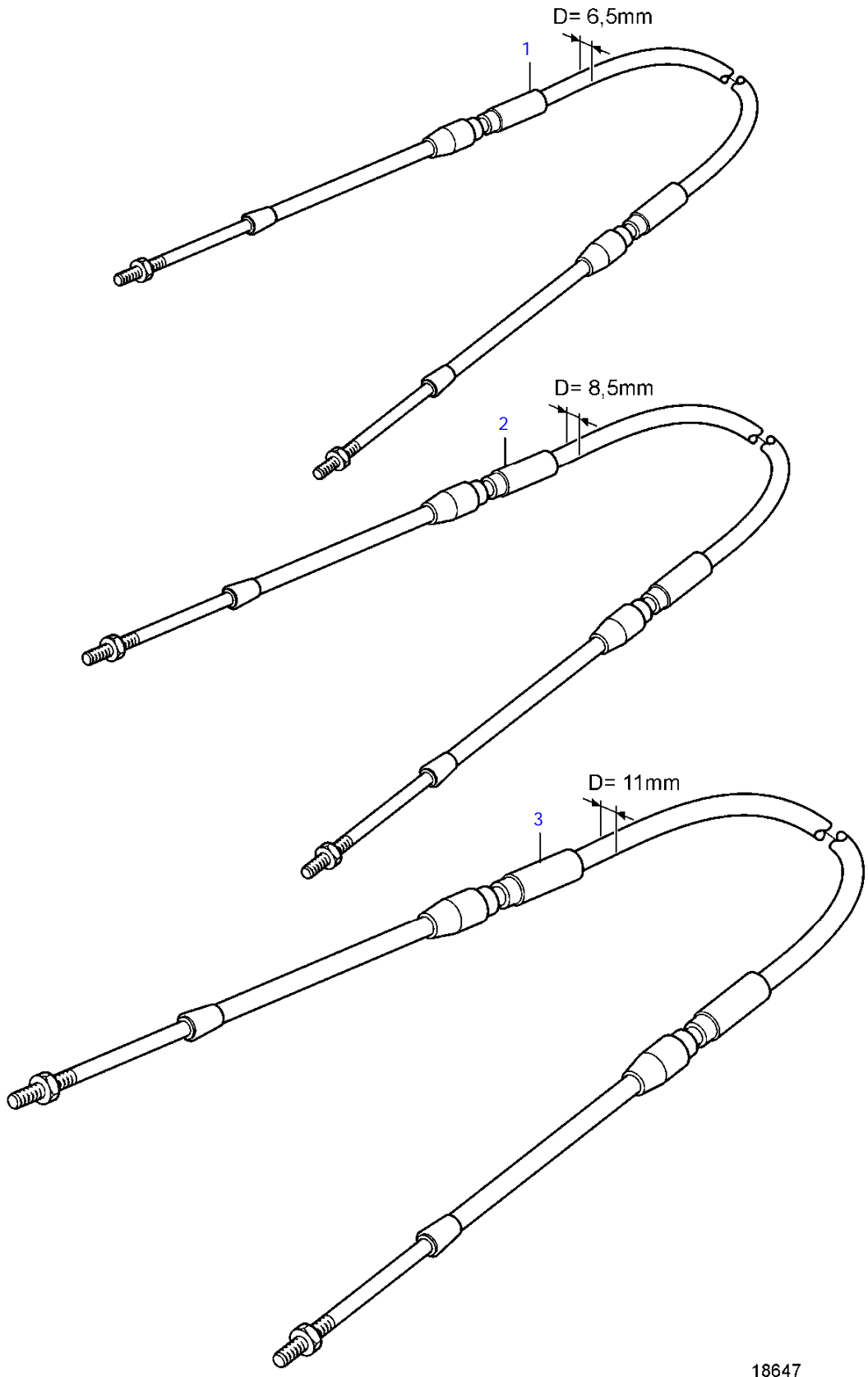
D4-180I-B, D4-180I-C, D4-180I-D, D4-210A-A, D4-210A-B, D4-210I-A, D4-210I-B, D4-225A-B, D4-225A-C, D4-225A-D, D4-225I-B, D4-225I-C, D4-225I-D, D4-260A-A, D4-260A-B, D4-260A-C, D4-260A-D, D4-260D-B, D4-260D-C, D4-260D-D, D4-260I-A, D4-260I-B, D4-260I-C, D4-260I-D, D4-300A-A, D4-300A-C, D4-300A-D, D4-300D-A, D4-300D-C, D4-300D-D, D4-300I-A, D4-300I-C, D4-300I-D, D4-180I-E, D4-225A-E, D4-225I-E, D4-260A-E, D4-260D-E, D4-260I-E, D4-300A-E, D4-300D-E, D4-300I-E



18647

D4-180I-B, D4-180I-C, D4-180I-D, D4-210A-A, D4-210A-B, D4-210I-A, D4-210I-B, D4-225A-B, D4-225A-C, D4-225A-D, D4-225I-B, D4-225I-C, D4-225I-D, D4-260A-A, D4-260A-B, D4-260A-C, D4-260A-D, D4-260D-B, D4-260D-C, D4-260D-D, D4-260I-A, D4-260I-B, D4-260I-C, D4-260I-D, D4-300A-A, D4-300A-C, D4-300A-D, D4-300D-A, D4-300D-C, D4-300D-D, D4-300I-A, D4-300I-C, D4-300I-D, D4-180I-E, D4-225A-E, D4-225I-E, D4-260A-E, D4-260D-E, D4-260I-E, D4-300A-E, D4-300D-E, D4-300I-E

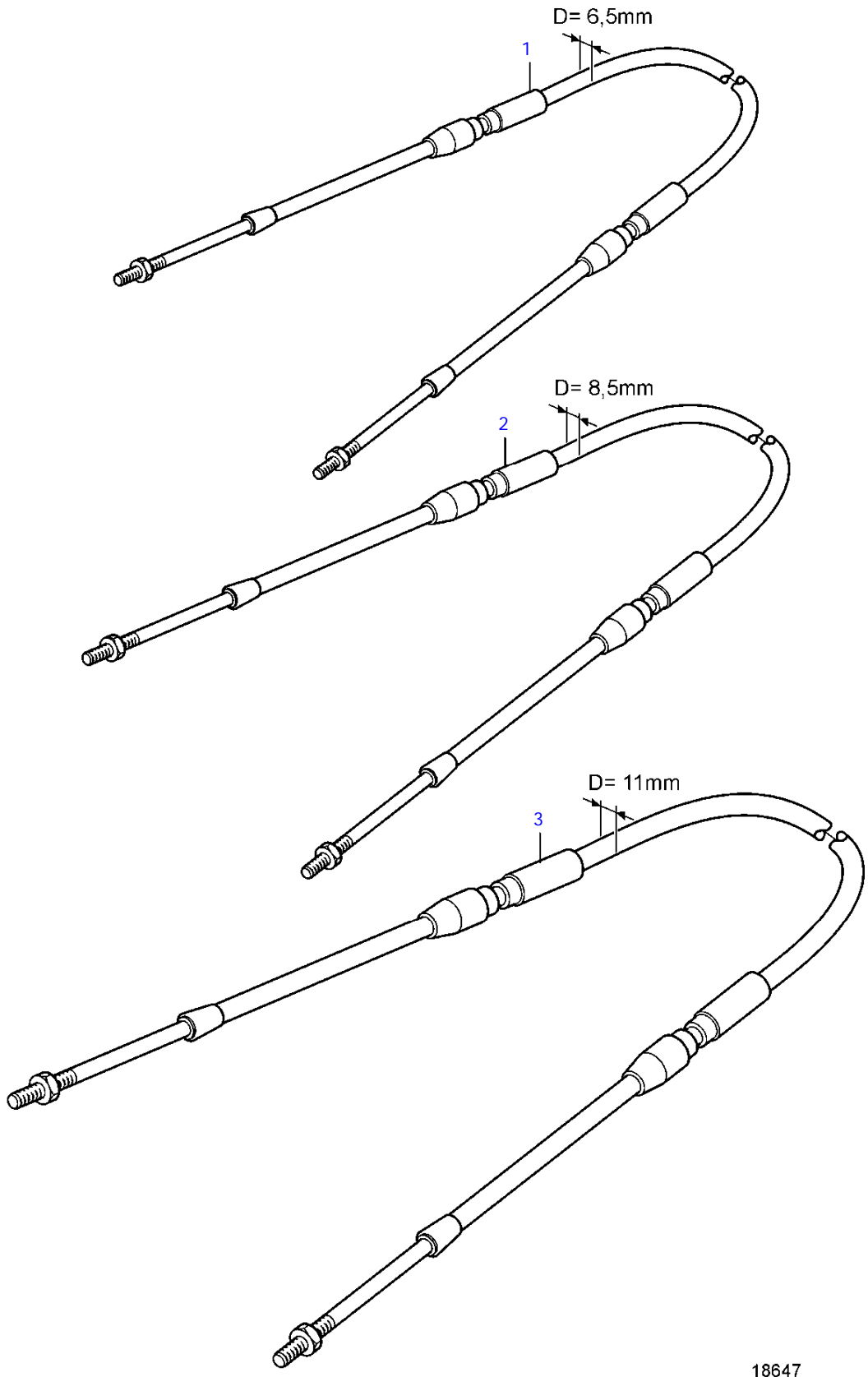
REF	PART NO.	QTY	DESCRIPTION	NOTES
1	1140131	1	Control cable	L=1250mm
	1140132	1	Control cable	L=1500mm
	1140133	1	Control cable	L=1750mm
	(1140134)	1	Control cable	Obsolete part, L=2000mm
	1140135	1	Control cable	L=2250mm
	(1140136)	1	Control cable	Obsolete part, L=2500mm
	(1140137)	1	Control cable	Obsolete part, L=2750mm
	(1140138)	1	Control cable	Obsolete part, L=3000mm
	1140139	1	Control cable	L=3250mm
	1140140	1	Control cable	L=3500mm
	(1140141)	1	Control cable	Obsolete part, L=3750mm
	(1140142)	1	Control cable	Obsolete part, L=4000mm
	(1140143)	1	Control cable	Obsolete part, L=4250mm
	(1140144)	1	Control cable	Obsolete part, L=4500mm
	1140145	1	Control cable	L=4750mm
	(1140146)	1	Control cable	Obsolete part, L=5000mm



18647



REF	PART NO.	QTY	DESCRIPTION	NOTES
2	1140171	1	Control cable	L=1000mm
	1140172	1	Control cable	L=1250mm
	1140173	1	Control cable	L=1500mm
	1140174	1	Control cable	L=1750mm
	1140175	1	Control cable	L=2000mm
	1140176	1	Control cable	L=2250mm
	1140177	1	Control cable	L=2500mm
	1140178	1	Control cable	L=2750mm
	1140179	1	Control cable	L=3000mm
	1140180	1	Control cable	L=3250mm
	1140181	1	Control cable	L=3500mm
	1140182	1	Control cable	L=3750mm
	1140183	1	Control cable	L=4000mm
	1140184	1	Control cable	L=4250mm
	1140185	1	Control cable	L=4500mm
	1140186	1	Control cable	L=4750mm
	1140187	1	Control cable	L=5000mm
	1140188	1	Control cable	L=5250mm
	1140189	1	Control cable	L=5500mm
	1140190	1	Control cable	L=5750mm
	1140191	1	Control cable	L=6000mm
	1140192	1	Control cable	L=6250mm
	1140193	1	Control cable	L=6500mm
	1140194	1	Control cable	L=6750mm
	1140195	1	Control cable	L=7000mm
	1140196	1	Control cable	L=7250mm
	1140197	1	Control cable	L=7500mm
	1140198	1	Control cable	L=7750mm
	1140199	1	Control cable	L=8000mm
	888081	1	Control cable	L=8250mm
	1140200	1	Control cable	L=8500mm
	888082	1	Control cable	L=8750mm
	1140201	1	Control cable	L=9000mm
	888083	1	Control cable	L=9250mm
	1140202	1	Control cable	L=9500mm
	888084	1	Control cable	L=9750mm
	1140203	1	Control cable	L=10000mm
	888085	1	Control cable	L=10250mm
	1140204	1	Control cable	L=10500mm
	888086	1	Control cable	L=10750mm
	1140205	1	Control cable	L=11000mm
	888087	1	Control cable	L=11250mm
	1140206	1	Control cable	L=11500mm
	888088	1	Control cable	L=11750mm
	1140207	1	Control cable	L=12000mm
	888089	1	Control cable	L=12250mm
	1140208	1	Control cable	L=12500mm
	888090	1	Control cable	L=12750mm
	1140209	1	Control cable	L=13000mm

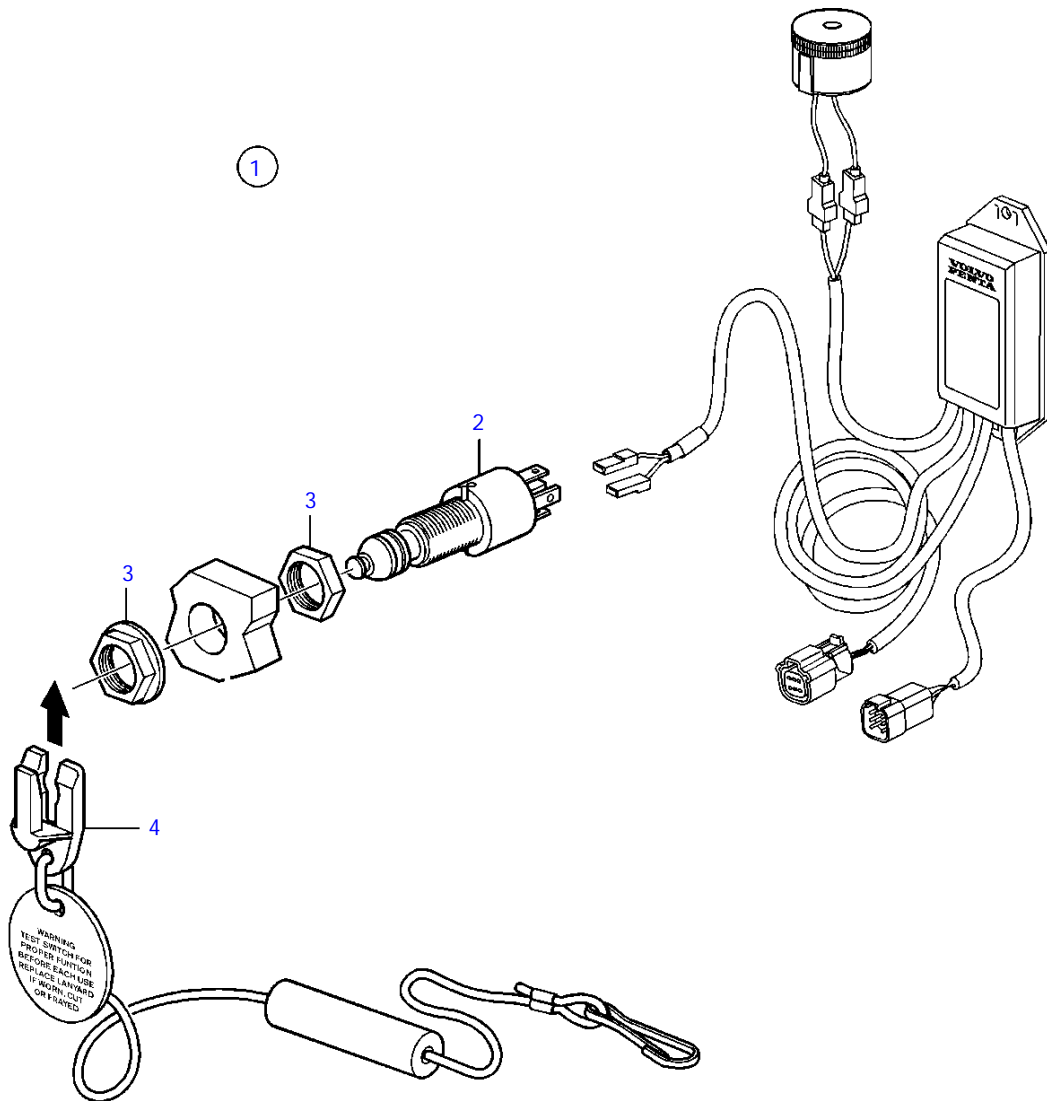


18647



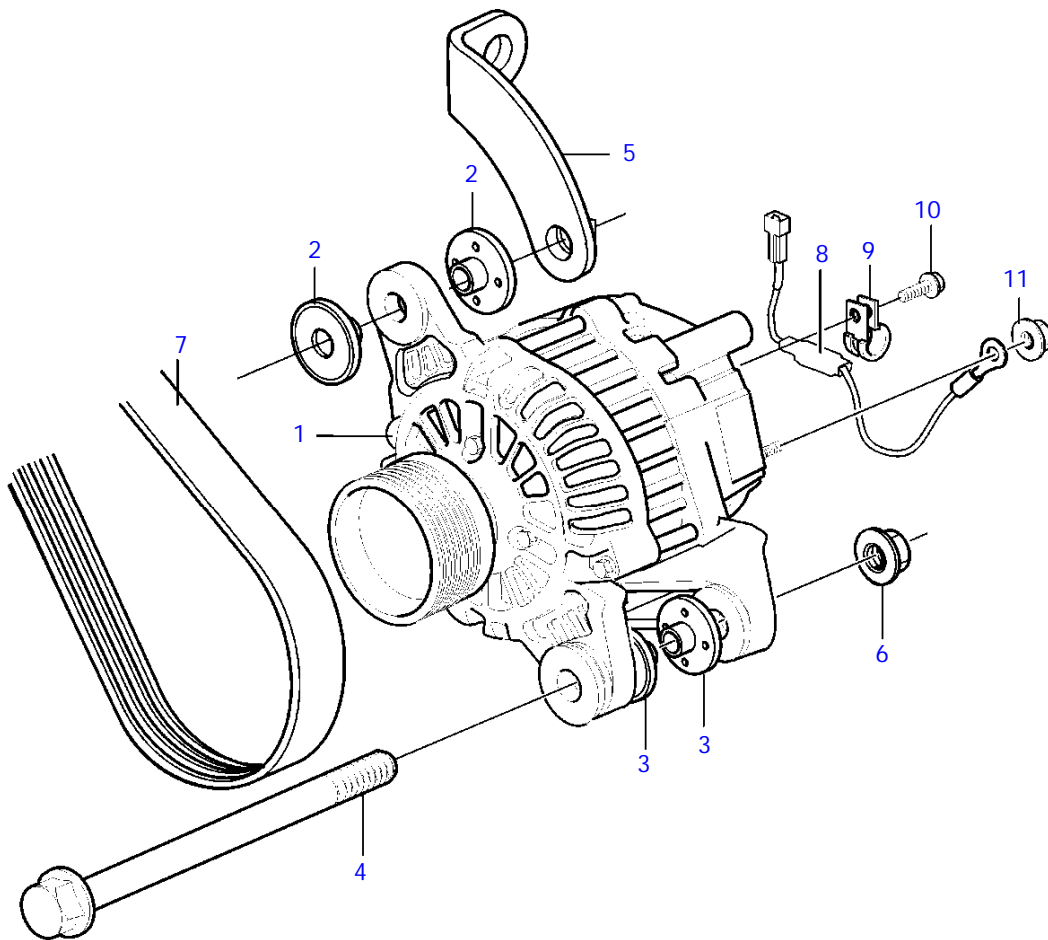
REF	PART NO.	QTY	DESCRIPTION	NOTES
3	(1140101)	1	Control cable	Obsolete part, L=2000mm
	(1140102)	1	Control cable	Obsolete part, L=2500mm
	(1140103)	1	Control cable	Obsolete part, L=3000mm
	(1140104)	1	Control cable	Obsolete part, L=3500mm
	(1140105)	1	Control cable	Obsolete part, L=4000mm
	1140106	1	Control cable	L=4500mm
	(1140107)	1	Control cable	Obsolete part, L=5000mm
	(1140108)	1	Control cable	Obsolete part, L=5500mm
	(1140109)	1	Control cable	Obsolete part, L=6000mm
	(1140110)	1	Control cable	Obsolete part, L=6500mm
	1140111	1	Control cable	L=7000mm
	(1140112)	1	Control cable	Obsolete part, L=7500mm
	(1140113)	1	Control cable	Obsolete part, L=8000mm
	1140114	1	Control cable	L=8500mm
	1140115	1	Control cable	L=9000mm
	(1140116)	1	Control cable	Obsolete part, L=9500mm
	1140117	1	Control cable	L=10000mm
	1140118	1	Control cable	L=11000mm
	(1140119)	1	Control cable	Obsolete part, L=12000mm
	(1140120)	1	Control cable	Obsolete part, L=13000mm
	1140121	1	Control cable	L=14000mm
	(1140122)	1	Control cable	Obsolete part, L=15000mm

D4-180I-B, D4-180I-C, D4-180I-D, D4-210A-A, D4-210A-B, D4-210I-A, D4-210I-B, D4-225A-B, D4-225A-C, D4-225A-D, D4-225I-B, D4-225I-C, D4-225I-D, D4-260A-A, D4-260A-B, D4-260A-C, D4-260A-D, D4-260D-B, D4-260D-C, D4-260D-D, D4-260I-A, D4-260I-B, D4-260I-C, D4-260I-D, D4-300A-A, D4-300A-C, D4-300A-D, D4-300D-A, D4-300D-C, D4-300D-D, D4-300I-A, D4-300I-C, D4-300I-D, D4-180I-E, D4-225A-E, D4-225I-E, D4-260A-E, D4-260D-E, D4-260I-E, D4-300A-E, D4-300D-E, D4-300I-E



25203

D4-180I-B, D4-180I-C, D4-180I-D, D4-210A-A, D4-210A-B, D4-210I-A, D4-210I-B, D4-225A-B, D4-225A-C, D4-225A-D, D4-225I-B, D4-225I-C, D4-225I-D, D4-260A-A, D4-260A-B, D4-260A-C, D4-260A-D, D4-260D-B, D4-260D-C, D4-260D-D, D4-260I-A, D4-260I-B, D4-260I-C, D4-260I-D, D4-300A-A, D4-300A-C, D4-300A-D, D4-300D-A, D4-300D-C, D4-300D-D, D4-300I-A, D4-300I-C, D4-300I-D, D4-180I-E, D4-225A-E, D4-225I-E, D4-260A-E, D4-260D-E, D4-260I-E, D4-300A-E, D4-300D-E, D4-300I-E

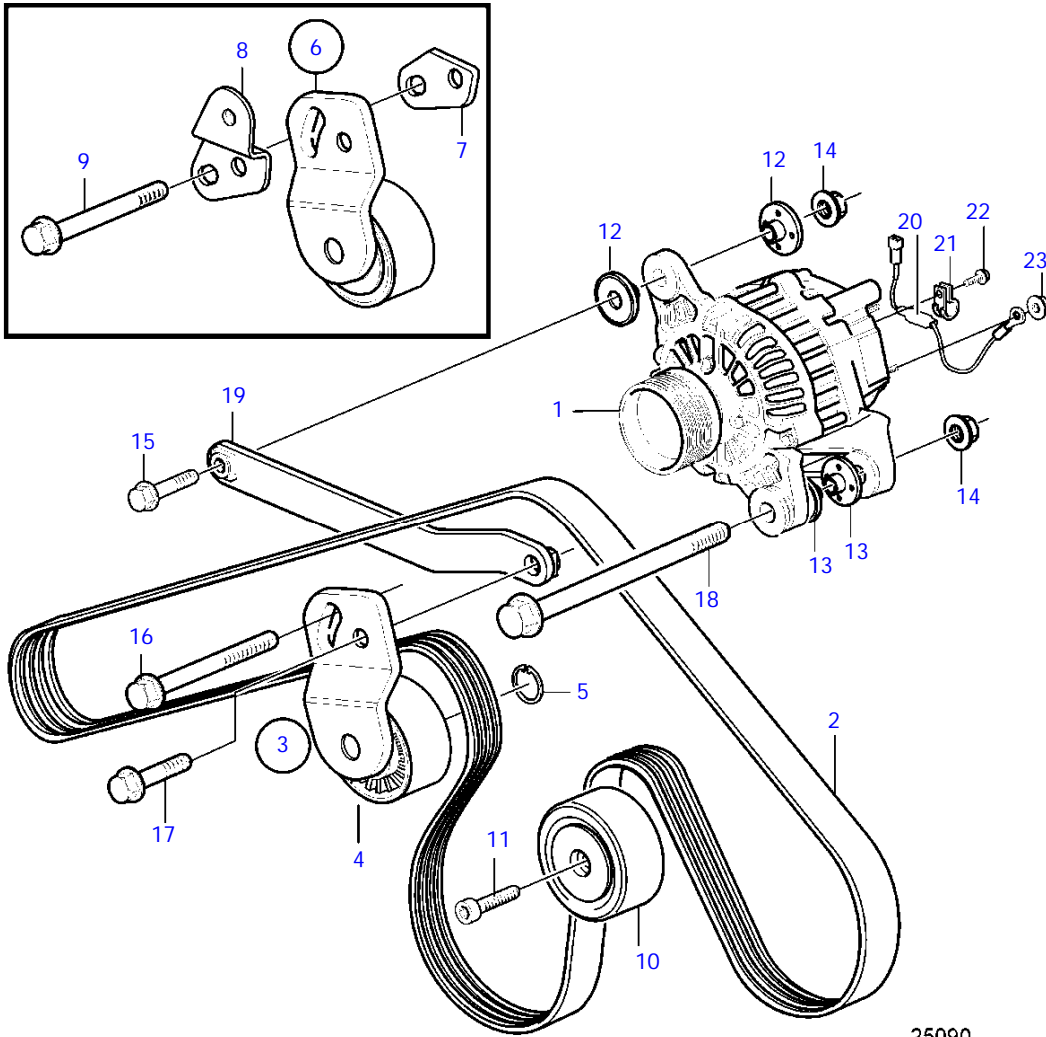


21288

D4-180I-B, D4-180I-C, D4-180I-D, D4-210A-A, D4-210A-B, D4-210I-A, D4-210I-B, D4-225A-B, D4-225A-C, D4-225A-D, D4-225I-B, D4-225I-C, D4-225I-D, D4-260A-A, D4-260A-B, D4-260A-C, D4-260A-D, D4-260D-B, D4-260D-C, D4-260D-D, D4-260I-A, D4-260I-B, D4-260I-C, D4-260I-D, D4-300A-A, D4-300A-C, D4-300A-D, D4-300D-A, D4-300D-C, D4-300D-D, D4-300I-A, D4-300I-C, D4-300I-D, D4-180I-E, D4-225A-E, D4-225I-E, D4-260A-E, D4-260D-E, D4-260I-E, D4-300A-E, D4-300D-E, D4-300I-E

REF	PART NO.	QTY	DESCRIPTION	NOTES
1	3803911	1	Alternator, exch	14V, 115A
	3803912	1	Alternator, exch	28V, 80A
2	3589369	2	Insulating bushing	D=8mm
3	3589388	2	Insulating bushing	D=12mm
4	978447	1	Flange screw	
5	3809682	1	Bracket	(3583005)
6	971096	1	Flange nut	
7	3582696	1	V-ribbed belt	Standard
	991590	1	V-ribbed belt	SOLAS
8	881679	1	Resistor	12V
	21694528	1	Resistor	24V
9	952626	1	Clamp	
10	948663	1	Flange screw	
11	983712	1	Hexagon nut	

D4-180I-B, D4-180I-C, D4-210A-A, D4-210A-B, D4-210I-A, D4-210I-B, D4-225A-B, D4-225A-C, D4-225I-B, D4-225I-C, D4-260A-A, D4-260A-B, D4-260A-C, D4-260D-B, D4-260D-C, D4-260I-A, D4-260I-B, D4-260I-C, D4-300A-A, D4-300A-C, D4-300D-A, D4-300D-C, D4-300I-A, D4-300I-C

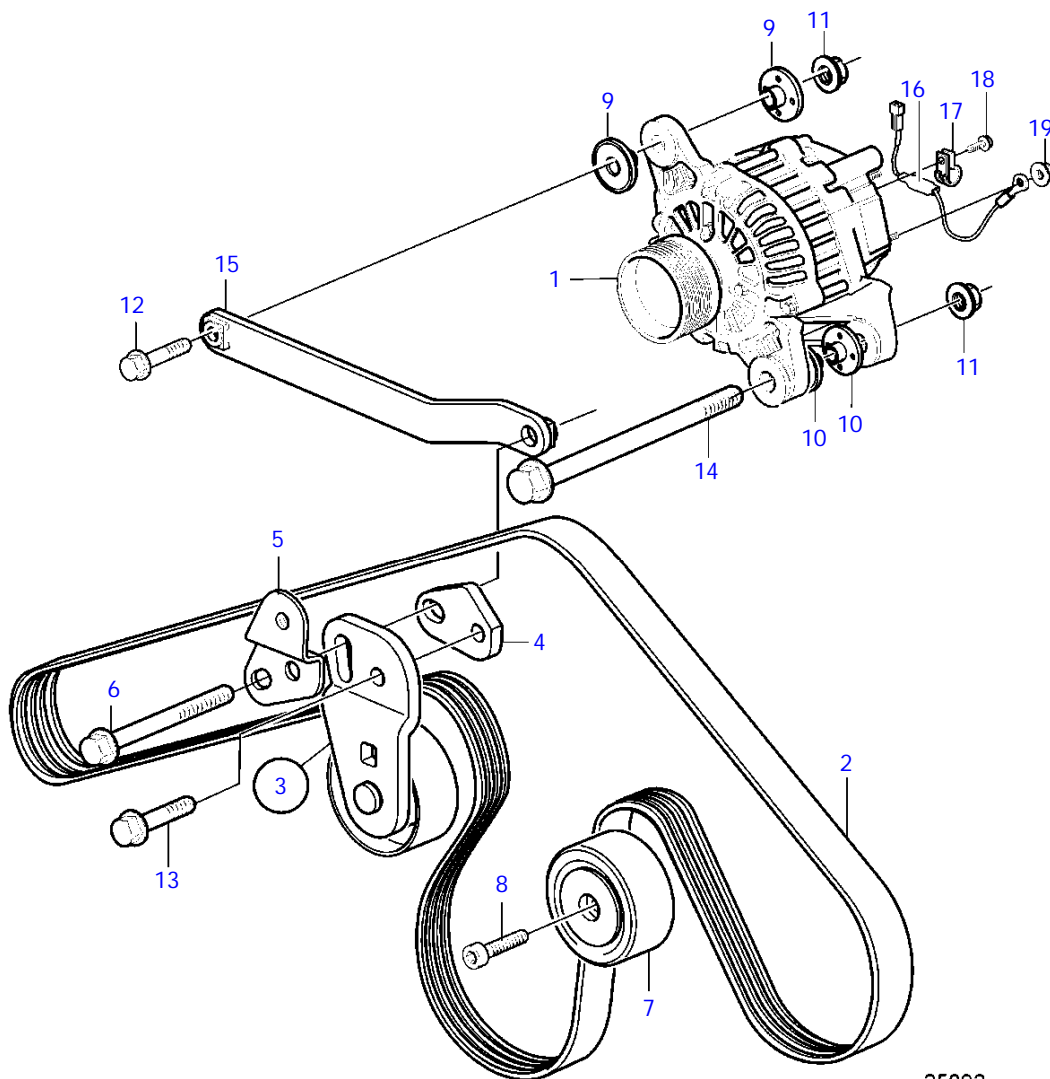


25090

D4-180I-B, D4-180I-C, D4-210A-A, D4-210A-B, D4-210I-A, D4-210I-B, D4-225A-B, D4-225A-C, D4-225I-B, D4-225I-C, D4-260A-A, D4-260A-B, D4-260A-C, D4-260D-B, D4-260D-C, D4-260I-A, D4-260I-B, D4-260I-C, D4-300A-A, D4-300A-C, D4-300D-A, D4-300D-C, D4-300I-A, D4-300I-C

REF	PART NO.	QTY	DESCRIPTION	NOTES
1	3803911	1	Alternator, exch	14V, 115A
	3803912	1	Alternator, exch	28V, 80A
2	3583729	1	Belt, generator	Standard
	991587	1	V-ribbed belt, generator	SOLAS
	3582696	1	V-ribbed belt, power steering pump	Standard
	991591	1	V-ribbed belt, power steering pump	SOLAS
3	3583665	1	Belt tensioner	Replaced by 21344508
4	3582694	1	* Pulley	
5	914451	1	* Snap ring	
6	21344508	1	Belt tensioner	
7		1	* Spacer disc	
8		1	* Bracket	
9	965190	1	* Flange screw	
10	3847482	2	Idler pulley	(3848896)
11	959224	1	Hex. socket screw	
12	3589369	2	Insulating bushing	D=8mm
13	21308514	2	Insulating bushing	D=12mm
14	971096	2	Flange nut	
15	946470	1	Flange screw	
16	965189	1	Flange screw	
17	965186	1	Flange screw	
18	978447	1	Flange screw	
19	3584076	1	Bracket	
20	881679	1	Resistor	12V
	21694528	1	Resistor	24V
21	952626	1	Clamp	
22	948663	1	Flange screw	
23	983712	1	Hexagon nut	

D4-180I-B, D4-180I-C, D4-180I-D, D4-210A-A, D4-210A-B, D4-210I-A, D4-210I-B, D4-225A-B, D4-225A-C, D4-225A-D, D4-225I-B, D4-225I-C, D4-225I-D, D4-260A-A, D4-260D-B, D4-260D-C, D4-260D-D, D4-260I-A, D4-260I-B, D4-260I-C, D4-260I-D, D4-300D-A, D4-300D-C, D4-300D-D, D4-300I-A, D4-300I-C, D4-300I-D, D4-180I-E, D4-225A-E, D4-225I-E, D4-260D-E, D4-260I-E, D4-300D-E, D4-300I-E

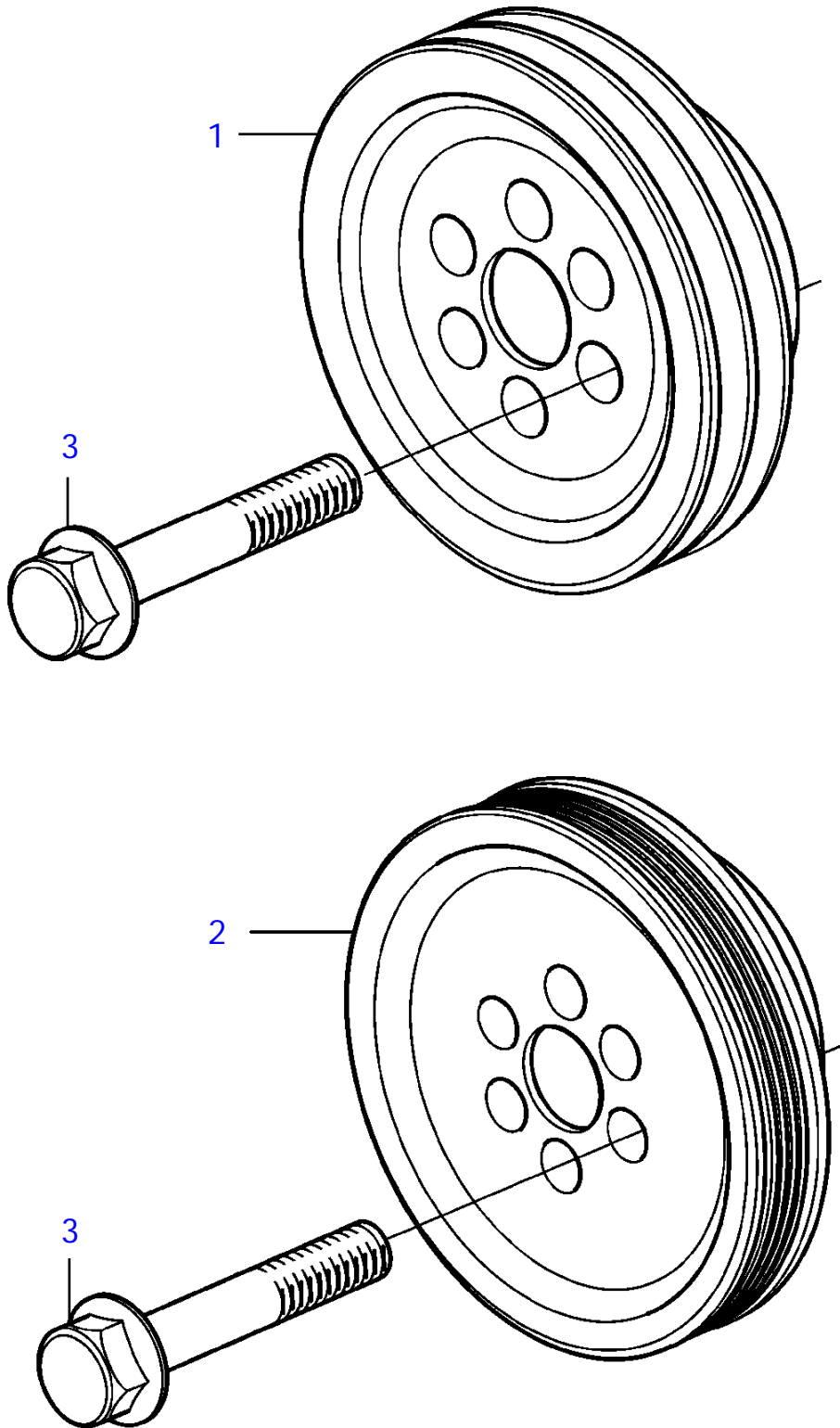


25092

D4-180I-B, D4-180I-C, D4-180I-D, D4-210A-A, D4-210A-B, D4-210I-A, D4-210I-B, D4-225A-B, D4-225A-C, D4-225A-D, D4-225I-B, D4-225I-C, D4-225I-D, D4-260A-A, D4-260D-B, D4-260D-C, D4-260D-D, D4-260I-A, D4-260I-B, D4-260I-C, D4-260I-D, D4-300D-A, D4-300D-C, D4-300D-D, D4-300I-A, D4-300I-C, D4-300I-D, D4-180I-E, D4-225A-E, D4-225I-E, D4-260D-E, D4-260I-E, D4-300D-E, D4-300I-E

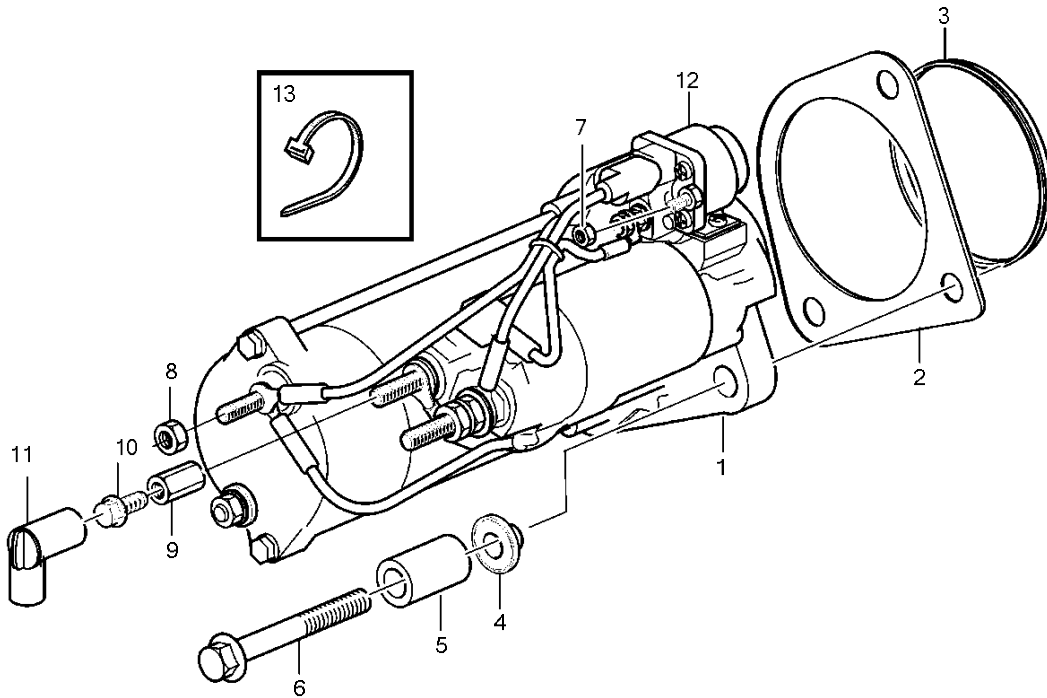
REF	PART NO.	QTY	DESCRIPTION	NOTES
1	3803911	1	Alternator, exch	14V, 115A
	3803912	1	Alternator, exch	28V, 80A
2	3583729	1	Belt, generator	Standard
	991587	1	V-ribbed belt, generator	SOLAS
	3582696	1	V-ribbed belt, power steering pump	Standard
	991591	1	V-ribbed belt, power steering pump	SOLAS
3	21344508	1	Belt tensioner	
4		1	* Spacer disc	
5		1	* Bracket	
6	965190	1	* Flange screw	
7	3847482	2	Idler pulley	
8	959224	1	Hex. socket screw	
9	3589369	2	Insulating bushing	D=8mm
10	21308514	2	Insulating bushing	D=12mm
11	971096	2	Flange nut	
12	946470	1	Flange screw	
13	965186	1	Flange screw	
14	993179	1	Flange screw	
15	3584076	1	Bracket	
16	881679	1	Resistor	12V
	21694528	1	Resistor	24V
17	952626	1	Clamp	
18	948663	1	Flange screw	
19	983712	1	Hexagon nut	

D4-180I-B, D4-180I-C, D4-180I-D, D4-210A-A, D4-210A-B, D4-210I-A, D4-210I-B, D4-225A-B, D4-225A-C, D4-225A-D, D4-225I-B, D4-225I-C, D4-225I-D, D4-260A-A, D4-260A-B, D4-260A-C, D4-260A-D, D4-260D-B, D4-260D-C, D4-260D-D, D4-260I-A, D4-260I-B, D4-260I-C, D4-260I-D, D4-300A-A, D4-300A-C, D4-300A-D, D4-300D-A, D4-300D-C, D4-300D-D, D4-300I-A, D4-300I-C, D4-300I-D, D4-180I-E, D4-225A-E, D4-225I-E, D4-260A-E, D4-260D-E, D4-260I-E, D4-300A-E, D4-300D-E, D4-300I-E



25325

D4-180I-B, D4-180I-C, D4-180I-D, D4-210A-A, D4-210A-B, D4-210I-A, D4-210I-B, D4-225A-B, D4-225A-C, D4-225A-D, D4-225I-B, D4-225I-C, D4-225I-D, D4-260A-A, D4-260A-B, D4-260A-C, D4-260A-D, D4-260D-B, D4-260D-C, D4-260D-D, D4-260I-A, D4-260I-B, D4-260I-C, D4-260I-D, D4-300A-A, D4-300A-C, D4-300A-D, D4-300D-A, D4-300D-C, D4-300D-D, D4-300I-A, D4-300I-C, D4-300I-D, D4-180I-E, D4-225A-E, D4-225I-E, D4-260A-E, D4-260D-E, D4-260I-E, D4-300A-E, D4-300D-E, D4-300I-E

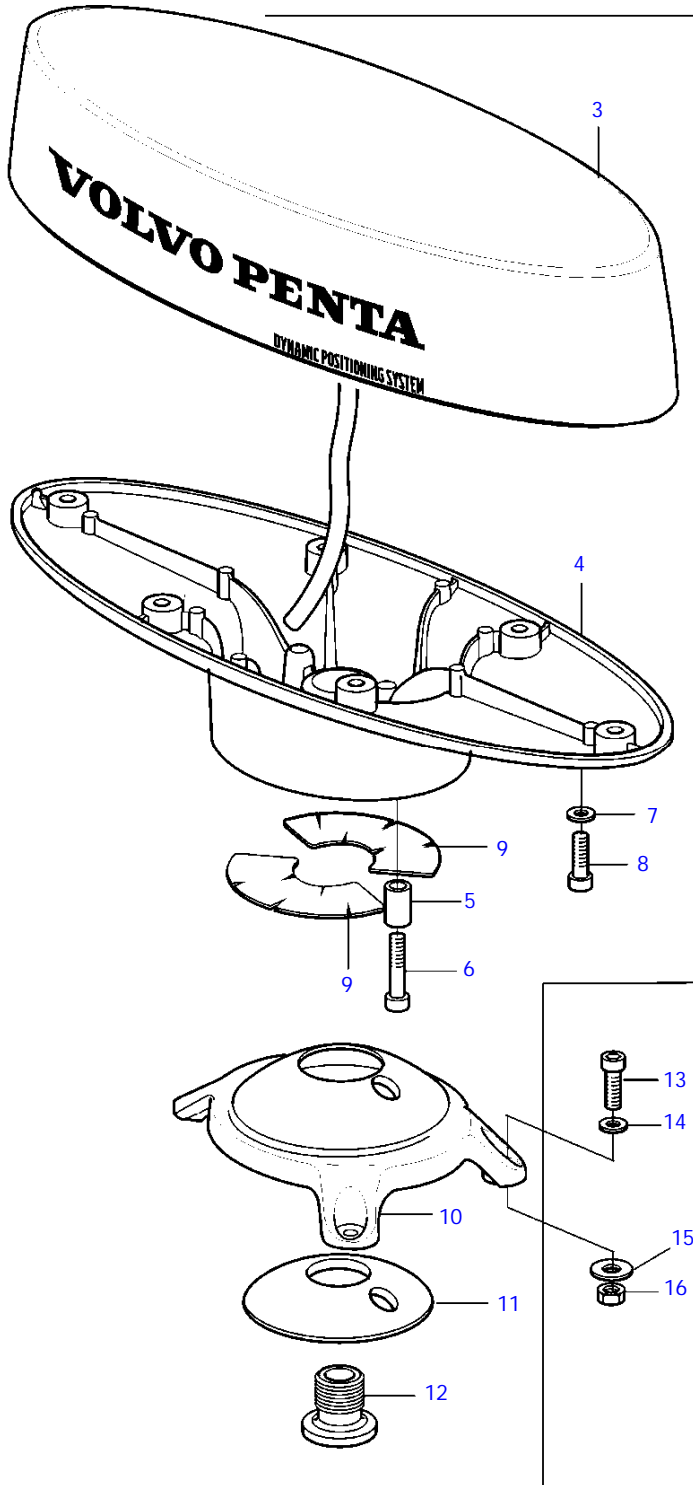


25781

D4-180I-B, D4-180I-C, D4-180I-D, D4-210A-A, D4-210A-B, D4-210I-A, D4-210I-B, D4-225A-B, D4-225A-C, D4-225A-D, D4-225I-B, D4-225I-C, D4-225I-D, D4-260A-A, D4-260A-B, D4-260A-C, D4-260A-D, D4-260D-B, D4-260D-C, D4-260D-D, D4-260I-A, D4-260I-B, D4-260I-C, D4-260I-D, D4-300A-A, D4-300A-C, D4-300A-D, D4-300D-A, D4-300D-C, D4-300D-D, D4-300I-A, D4-300I-C, D4-300I-D, D4-180I-E, D4-225A-E, D4-225I-E, D4-260A-E, D4-260D-E, D4-260I-E, D4-300A-E, D4-300D-E, D4-300I-E

REF	PART NO.	QTY	DESCRIPTION	NOTES
1	3801296	1	Starter motor, exch	12V, SOLAS
			* parts not sold separately	
	3801297	1	Starter motor, exch	24V, SOLAS
			* parts not sold separately	
2	21389274	1	Gasket	
3	21380910	1	Gasket	
4	21308512	3	Insulating bushing	
5	845884	3	Spacer sleeve	
6	973246	3	Hexagon screw	
7	983714	1	Hexagon nut	
8	983715	1	Hexagon nut	
9	857180	1	Nut	
10	946670	1	Flange screw	
11	855798	1	Protecting sleeve	
12	3818845	1	Starter relay	12V
	3818856	1	Starter relay	24V
13	948702	1	Cable tie	

D4-260D-B, D4-260D-C, D4-260D-D, D4-300D-A, D4-300D-C, D4-300D-D, D4-260D-E, D4-300D-E



23

WARNING

Always wear eye protection when working on the outboard motor.

Do not lean on the outboard motor when it is running.

Impellers are sharp and can cause injury to anyone who touches them.

Do not enter the water with engine on. Verify that you are safe before starting.

24

WARNING

When UPS is in Use Boat/Underway

Maintain proper LOOKOUT

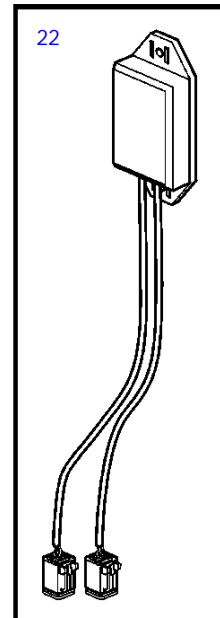
STAY OUT of water, especially propellers.

HOLD ON to prevent the boat from moving suddenly.

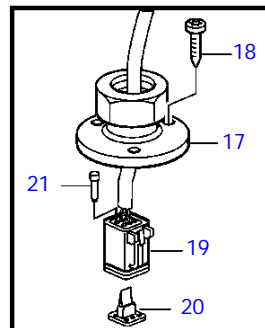
READ the owner's manual.

Failure to observe warnings may result in SEVERE INJURY or DEATH.

1



2

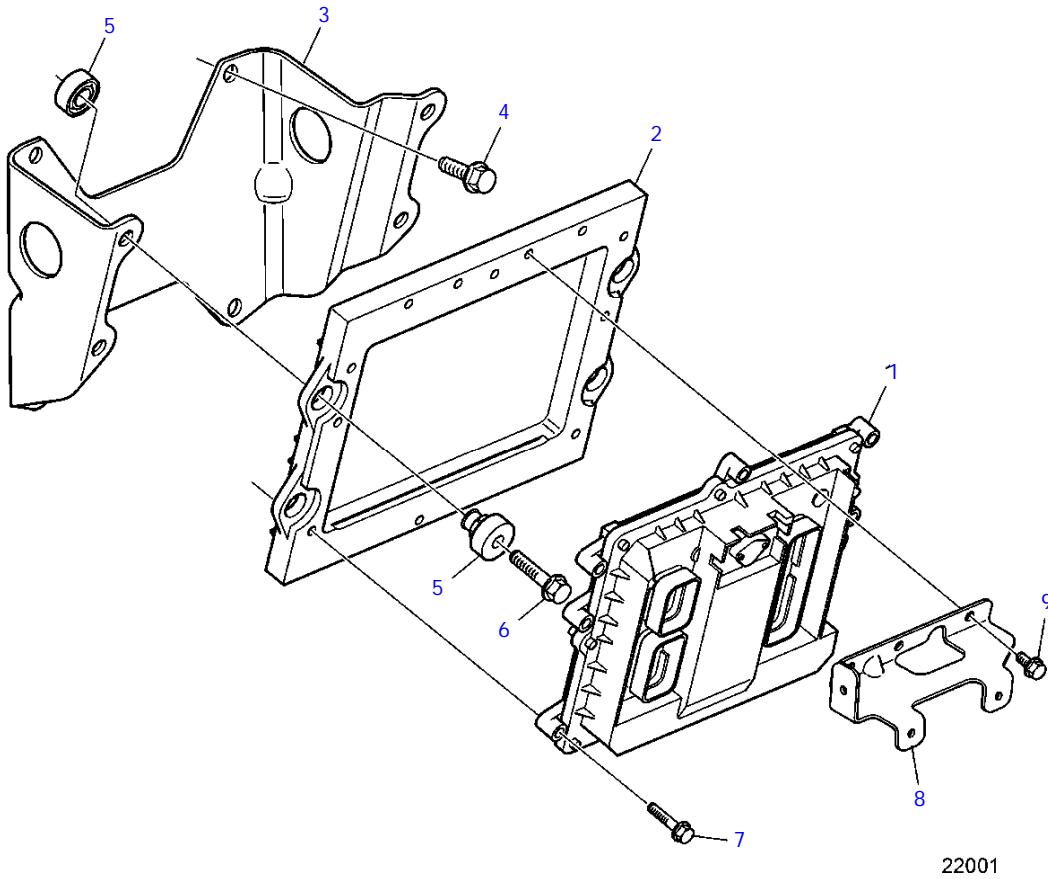


24857

D4-260D-B, D4-260D-C, D4-260D-D, D4-300D-A, D4-300D-C, D4-300D-D, D4-260D-E, D4-300D-E

REF	PART NO.	QTY	DESCRIPTION	NOTES
1	21300833	1	Antenna kit	
2	(21300831)	1	* Antenna	Obsolete part
3	21231832	1	* * Sensor	
4	21395738	1	* * Antenna base	
5	478344	2	* * Spacer sleeve	
6	994153	2	* * Hex. socket screw	
7	941670	6	* * Washer	
8	994138	6	* * Hex. socket screw	
9	21328699	2	* * Decal	
10	21300823	1	* * Antenna base	
11	21300829	1	* * Tensioning ring	
12	21330777	1	* * Hollow screw	
13	994153	3	* Hex. socket screw	
14	941670	3	* Washer	
15	993419	3	* Washer	
16	946330	3	* Hexagon nut	
17	21303890	1	* Cable grommet	
18	961314	1	* Cross recessed screw	
19	874960	1	* Insulator	
20	874961	1	* Coding key	
21	8397660	1	* Plug	
22	21231837	1	* Converter	
23	21318999	1	* Decal	
24	21325536	1	* Label	

D4-180I-B, D4-180I-C, D4-180I-D, D4-210A-A, D4-210A-B, D4-210I-A, D4-210I-B, D4-225A-B, D4-225A-C, D4-225A-D, D4-225I-B, D4-225I-C, D4-225I-D, D4-260A-A, D4-260A-B, D4-260A-C, D4-260A-D, D4-260D-B, D4-260D-C, D4-260D-D, D4-260I-A, D4-260I-B, D4-260I-C, D4-260I-D, D4-300A-A, D4-300A-C, D4-300A-D, D4-300D-A, D4-300D-C, D4-300D-D, D4-300I-A, D4-300I-C, D4-300I-D, D4-180I-E, D4-225A-E, D4-225I-E, D4-260A-E, D4-260D-E, D4-260I-E, D4-300A-E, D4-300D-E, D4-300I-E

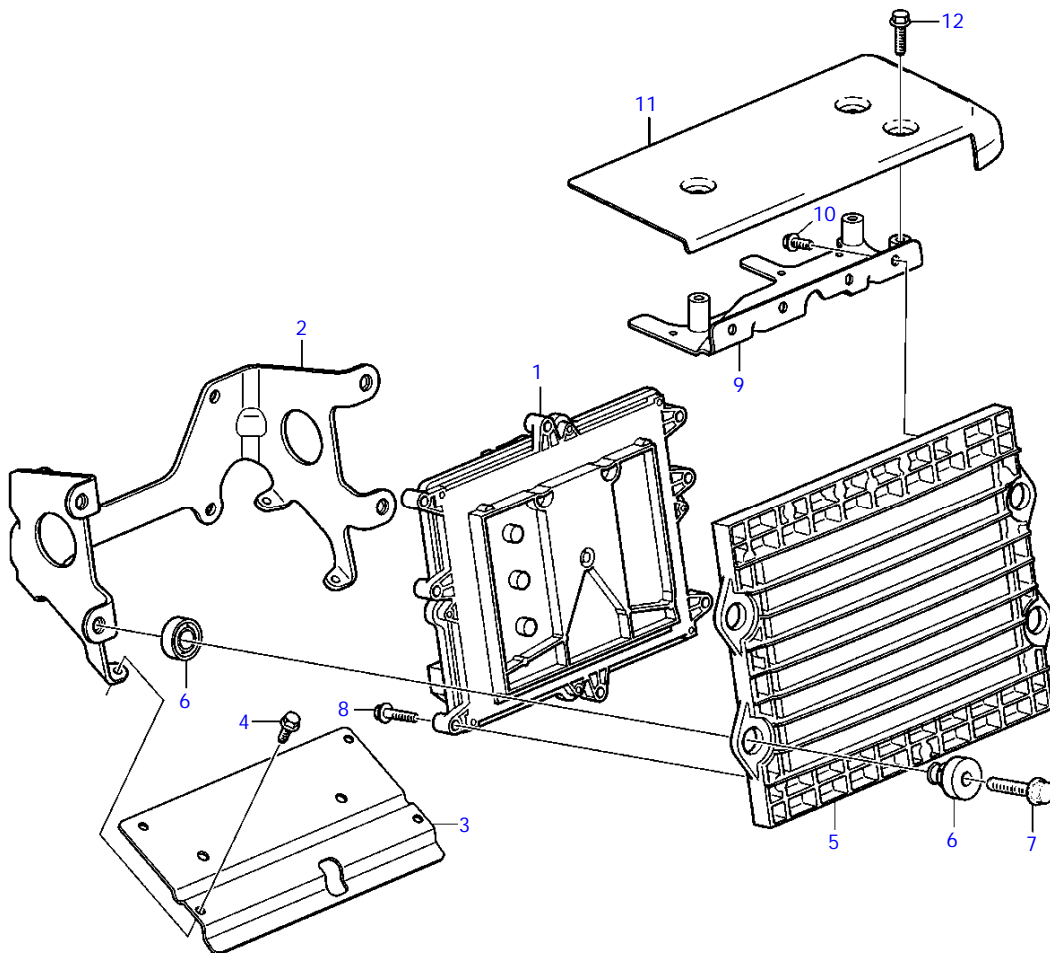


22001

D4-180I-B, D4-180I-C, D4-180I-D, D4-210A-A, D4-210A-B, D4-210I-A, D4-210I-B, D4-225A-B, D4-225A-C, D4-225A-D, D4-225I-B, D4-225I-C, D4-225I-D, D4-260A-A, D4-260A-B, D4-260A-C, D4-260A-D, D4-260D-B, D4-260D-C, D4-260D-D, D4-260I-A, D4-260I-B, D4-260I-C, D4-260I-D, D4-300A-A, D4-300A-C, D4-300A-D, D4-300D-A, D4-300D-C, D4-300D-D, D4-300I-A, D4-300I-C, D4-300I-D, D4-180I-E, D4-225A-E, D4-225I-E, D4-260A-E, D4-260D-E, D4-260I-E, D4-300A-E, D4-300D-E, D4-300I-E

REF	PART NO.	QTY	DESCRIPTION	NOTES
1	881810	1	Control unit, not programmed	
	3586269	1	Software	Warehouse programming. This p/n can not be ordered, but will be used for invoicing.
	3586268	1	Software	Vodia-programming. This p/n can not be ordered, but will be used for invoicing.
2	3584080	1	Support	
3	3584082	1	Bracket	
4	946472	4	Flange screw	
5	3842049	4	Damping element	
6	947760	4	Flange screw	
7	948356	8	Flange screw	
8	3584146	1	Bracket	
9	967949	4	Flange screw	

D4-260A-A, D4-260A-B, D4-260A-D, D4-260D-B, D4-260D-C, D4-260D-D, D4-300A-A, D4-300A-C, D4-300A-D, D4-300D-A, D4-300D-C, D4-300D-D, D4-260A-E, D4-260D-E, D4-300A-E, D4-300D-E

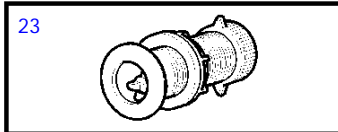
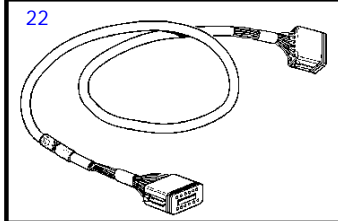
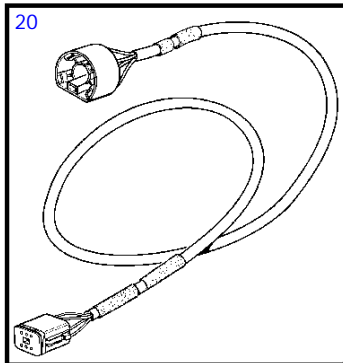
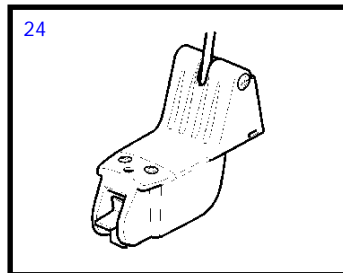
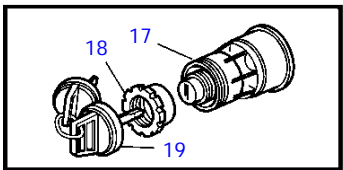
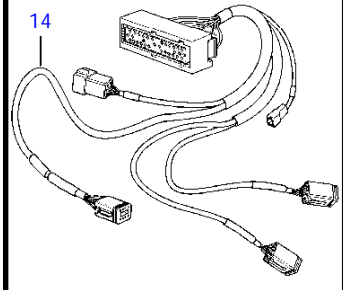
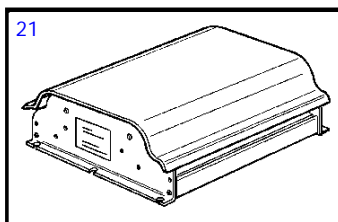
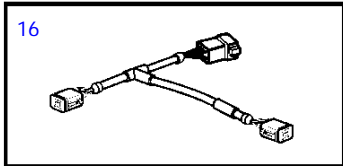
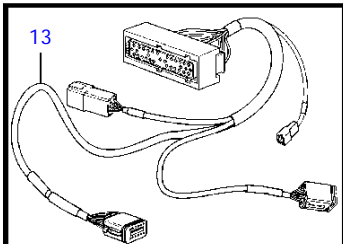
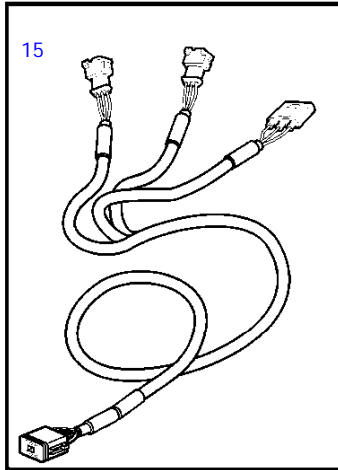
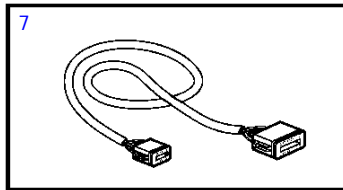
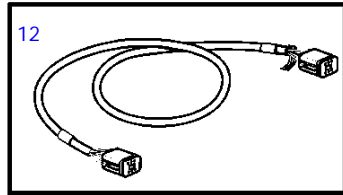
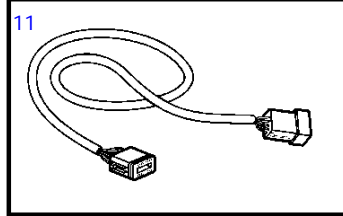
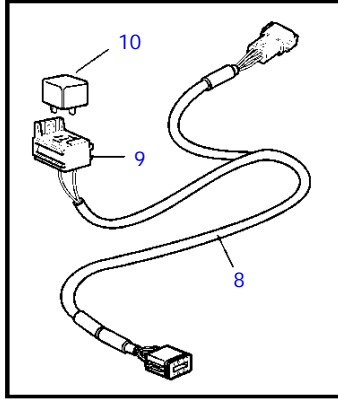
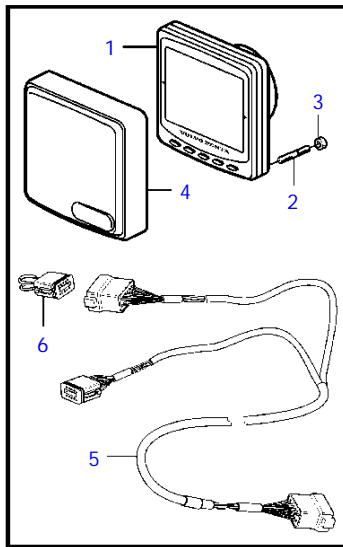


25506

D4-260A-A, D4-260A-B, D4-260A-D, D4-260D-B, D4-260D-C, D4-260D-D, D4-300A-A, D4-300A-C, D4-300A-D, D4-300D-A, D4-300D-C, D4-300D-D, D4-260A-E, D4-260D-E, D4-300A-E, D4-300D-E

REF	PART NO.	QTY	DESCRIPTION	NOTES
1	881810	1	Control unit, not programmed	
	3586269	1	Software	Warehouse programming. This p/n can not be ordered, but will be used for invoicing.
	3586268	1	Software	Vodia-programming. This p/n can not be ordered, but will be used for invoicing.
2	3582991	1	Bracket	
3	3583216	1	Heat shield	
4	946501	4	Flange screw	
5	3584080	1	Support	
6	3842049	4	Damping element	
7	946671	4	Flange screw	
8	949556	8	Flange screw	
9	21174222	1	Bracket	
10	967949	4	Flange screw	
11	21721137	1	Cover	
12	946934	3	Flange screw	

D4-210A-A, D4-210I-A, D4-260A-A, D4-260I-A

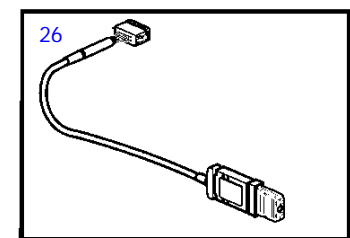
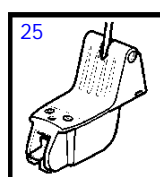
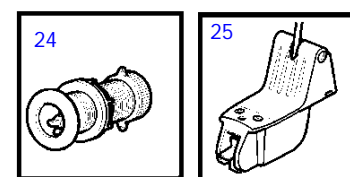
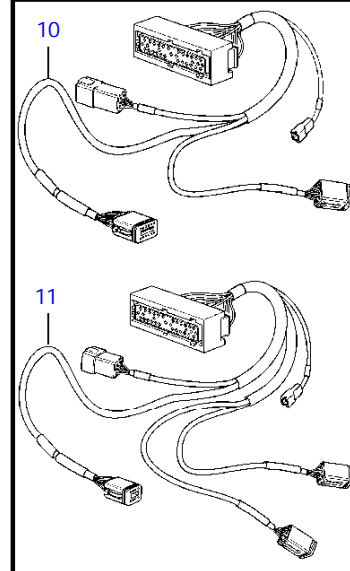
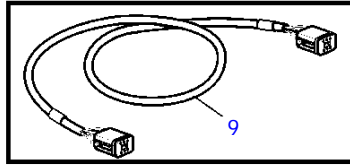
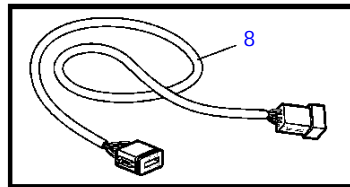
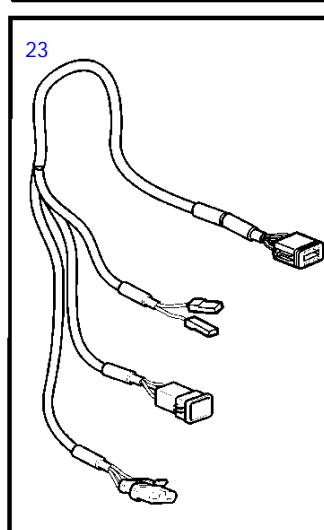
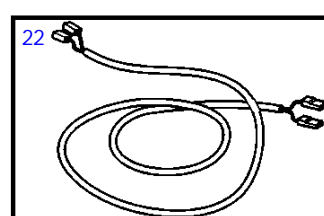
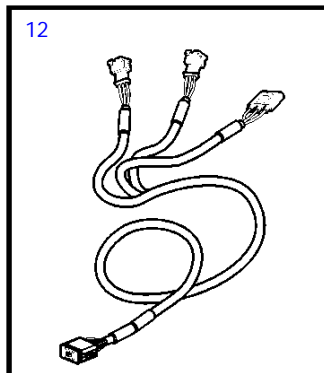
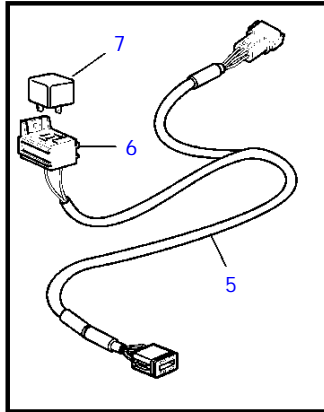
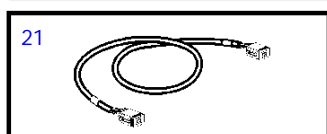
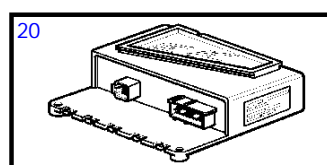
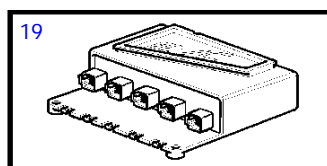
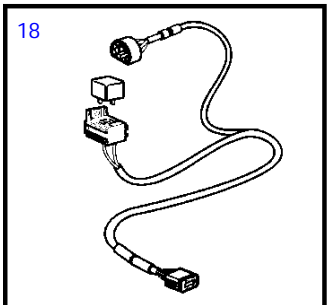
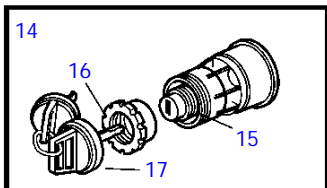
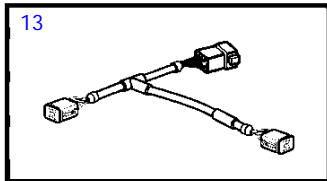
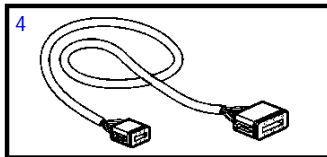
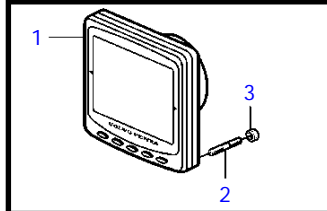


24751

D4-210A-A, D4-210I-A, D4-260A-A, D4-260I-A

REF	PART NO.	QTY	DESCRIPTION	SEE SEC.	NOTES
1	3807827	1	Display		(3587933)
2	830928	4	* Stud		
3	830930	4	* Nut		
4	(830929)	1	* Cardboard tube		Obsolete part
5	881785	1	* Cable kit		
6	881829	1	Resistor		
7	874414	1	Extension cable'verl		Extension cable, 8-pole HCU-EVC control panel.
8	881786	1	Cable kit		
9	977184	1	Housing		
10	873765	1	Relay		12V
	20374662	1	Relay		24V
11	3889410	1	Extension cable'verl		L=1.5m, (874752)
	3842733	1	Extension cable'verl		L=3.0m
	3842734	1	Extension cable'verl		L=5.0m
	3842735	1	Extension cable'verl		L=7.0m
	3842736	1	Extension cable'verl		L=9.0m
	3842737	1	Extension cable'verl		L=11m
12	874789	1	Cable kit		PCU-HCU, 6 pole, L=5.0m
	889550	1	Cable		PCU-HCU, 6 pole, L=7.0m
	889551	1	Cable		PCU-HCU, 6 pole, L=9.0m
	889552	1	Cable		PCU-HCU, 6 pole, L=11m
	888013	1	Cable		PCU-HCU, 6 pole, L=13m
13	21122603	1	Cable		Inboard, Engine-PCU cable., L=3.0m
	21122605	1	Cable		Inboard, Engine-PCU cable., L=5m, (3801224)
14	3808576	1	Wiring harness		AQ, Engine-PCU cable., L=3.0m
	3808577	1	Wiring harness		AQ, Engine-PCU cable., L=4.65m, (874819)
15	874676	1	Cable kit		EVC control lever cable, 6-pole., L=1.5m
16	3588972	1	Cable kit		T-connector bus cable, 6-pole., L=0.5m
17	3587070	1	Starter switch		Kit with 2 key switch with identical key.
	3587071	1	Starter switch		
18	859955	1	* Plastic nut		
19	859953	1	* Key		State key code when ordering.
			* Bulletin 49-30	49-30-EN	Key P/N 859953
20	881849	1	Wiring harness, starter switch		L=1,0m
21	888006	X	Control unit, not programmed		HCU. Software ordered separately or downloaded with Vodia.
	3586261	X	Software		Warehouse programming. This p/n can not be ordered, but will be used for invoicing.
	3586259	X	Software		Vodia-programming. This p/n can not be ordered, but will be used for invoicing.
	3586778	X	Control unit, not programmed		PCU. Software ordered separately or downloaded with Vodia.
	3586267	X	Software		Warehouse programming. This p/n can not be ordered, but will be used for invoicing.
	3586266	X	Software		Vodia-programming. This p/n can not be ordered, but will be used for invoicing.
22	874785	1	Cable kit		Synchronizing cabel for twin installation. 12 pole.
23	3587054	1	Sensor		Through hull
24	3587055	1	Sensor		Mounted on transom

D4-180I-B, D4-210A-A, D4-210A-B, D4-210I-A, D4-210I-B, D4-225A-B, D4-225I-B, D4-260A-A, D4-260A-B, D4-260I-A, D4-260I-B

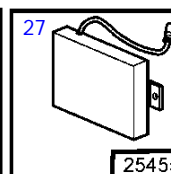
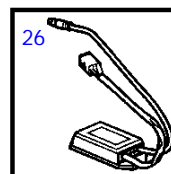
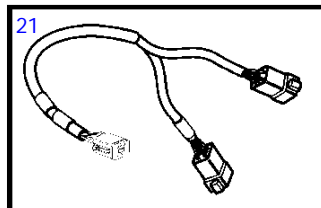
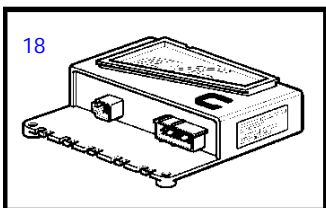
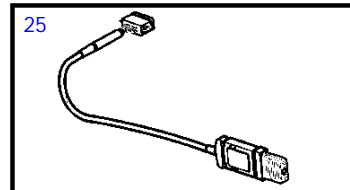
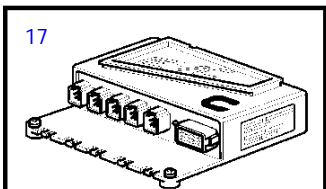
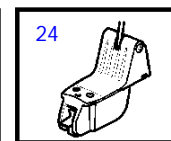
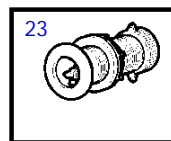
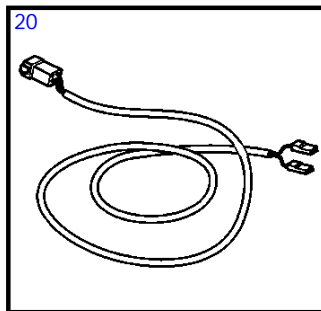
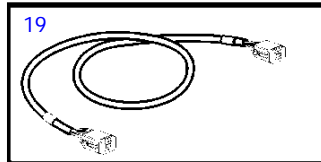
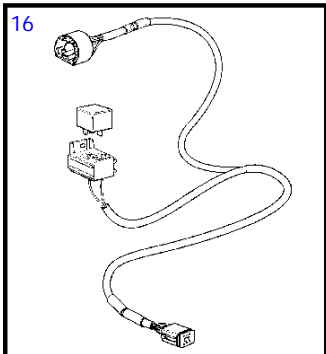
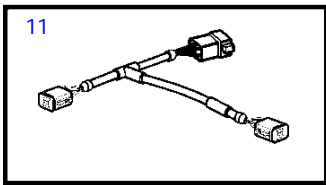
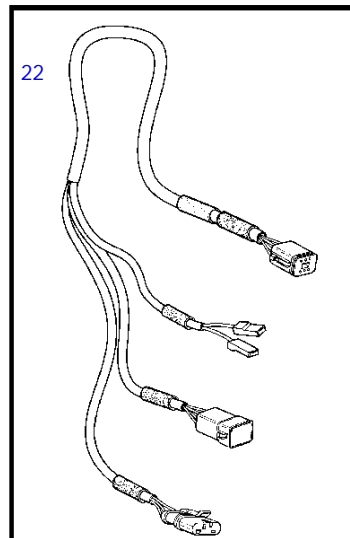
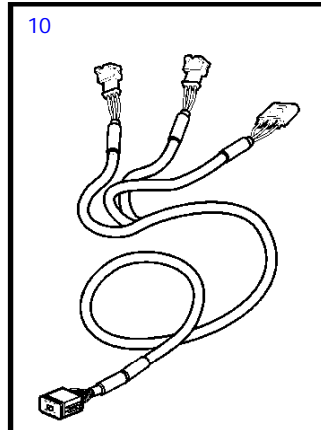
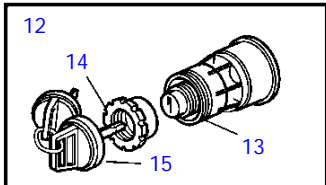
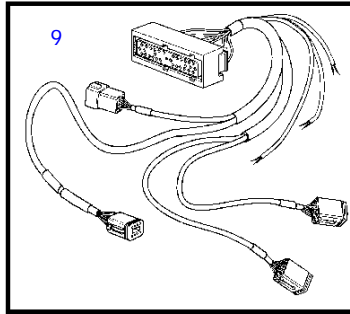
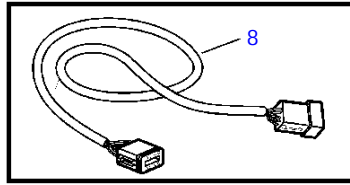
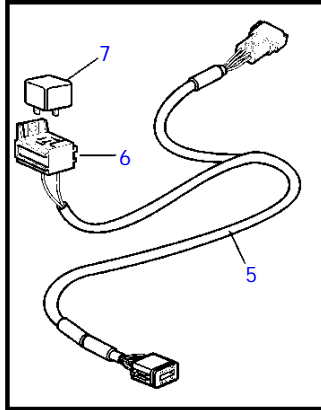
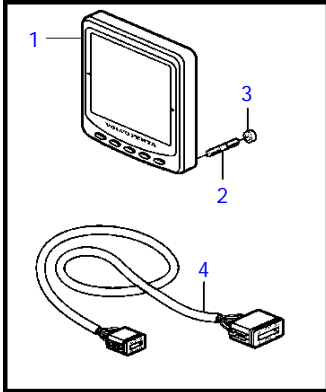


25379

D4-180I-B, D4-210A-A, D4-210A-B, D4-210I-A, D4-210I-B, D4-225A-B, D4-225I-B, D4-260A-A, D4-260A-B, D4-260I-A, D4-260I-B

REF	PART NO.	QTY	DESCRIPTION	SEE SEC.	NOTES
1	3840958	1	Display		(3588849)
2	830928	4	Stud		
3	830930	4	Nut		
4	3588207	1	Cable kit, display		
5	881786	1	Cable kit		
6	977184	1	Housing		
7	873765	1	Relay		12V
	3171420	1	Relay		24V
8	3889410	1	Extension cable'verl		L=1.5m, (874752)
	874779	1	Extension cable'verl		L=3.0m
	874780	1	Extension cable'verl		L=5.0m
	874781	1	Extension cable'verl		L=7.0m
	874782	1	Extension cable'verl		L=9.0m
	874783	1	Extension cable'verl		L=11.0m
9	874789	1	Cable kit		PCU-HCU, 6 pole, L=5.0m
	889550	1	Cable		PCU-HCU, 6 pole, L=7.0m
	889551	1	Cable		PCU-HCU, 6 pole, L=9.0m
	889552	1	Cable		PCU-HCU, 6 pole, L=11.0m
	888013	1	Cable		PCU-HCU, 6 pole, L=13.0m
	888243	1	Extension cable'verl		Extension cables. Multilink, 6-pin., L=3.0m
	888244	1	Extension cable'verl		Extension cables. Multilink, 6-pin., L=5.0m
	888245	1	Extension cable'verl		Extension cables. Multilink, 6-pin., L=7.0m
	888246	1	Extension cable'verl		Extension cables. Multilink, 6-pin., L=9.0m
	888247	1	Extension cable'verl		Extension cables. Multilink, 6-pin., L=11.0m
10	21122603	1	Cable		Inboard, Engine-PCU cable., L=3.0m
	21122605	1	Cable		Inboard, Engine-PCU cable., L=5.0m (874818)
11	3808576	1	Wiring harness		AQ, Engine-PCU cable., L=3.0m
	3808577	1	Wiring harness		AQ, Engine-PCU cable., L=5.0m
12	874676	1	Cable kit		EVC control lever cable, 6-pole., L=1.5m
13	3588972	1	Cable kit		T-connector bus cable, 6-pole., L=0.5m
14	3587070	1	Starter switch, set		Kit with 2 key switch with identical key.
15	3587071	1	Starter switch		
16	859955	1	* Plastic nut		
17	859953	1	* Key		State key code when ordering.
			* Bulletin 49-30	49-30-EN	Key P/N 859953
18	888004	1	Cable, starter switch		
19	3840320	X	Control unit, not programmed		HCU. Software ordered separately or downloaded with Vodia.
	3586261	X	Software		Warehouse programming. This p/n can not be ordered, but will be used for invoicing.
	3586259	X	Software		Vodia-programming. This p/n can not be ordered, but will be used for invoicing.
20	3840321	X	Control unit, not programmed		PCU. Software ordered separately or downloaded with Vodia.
	3586267	X	Software		Warehouse programming. This p/n can not be ordered, but will be used for invoicing.
	3586266	X	Software		Vodia-programming. This p/n can not be ordered, but will be used for invoicing.
21	3588208	1	Cable kit, synchronizing		Synchronizing cabel for twin installation. 6 pole.
22	874807	1	Cable kit, fuel, water, rudder		
23	3808852	1	Cable kit, instruments, panels		Aux cable
24	3587054	1	Sensor		Through hull
25	3587055	1	Sensor		Mounted on transom
26	21509941	1	Control unit		

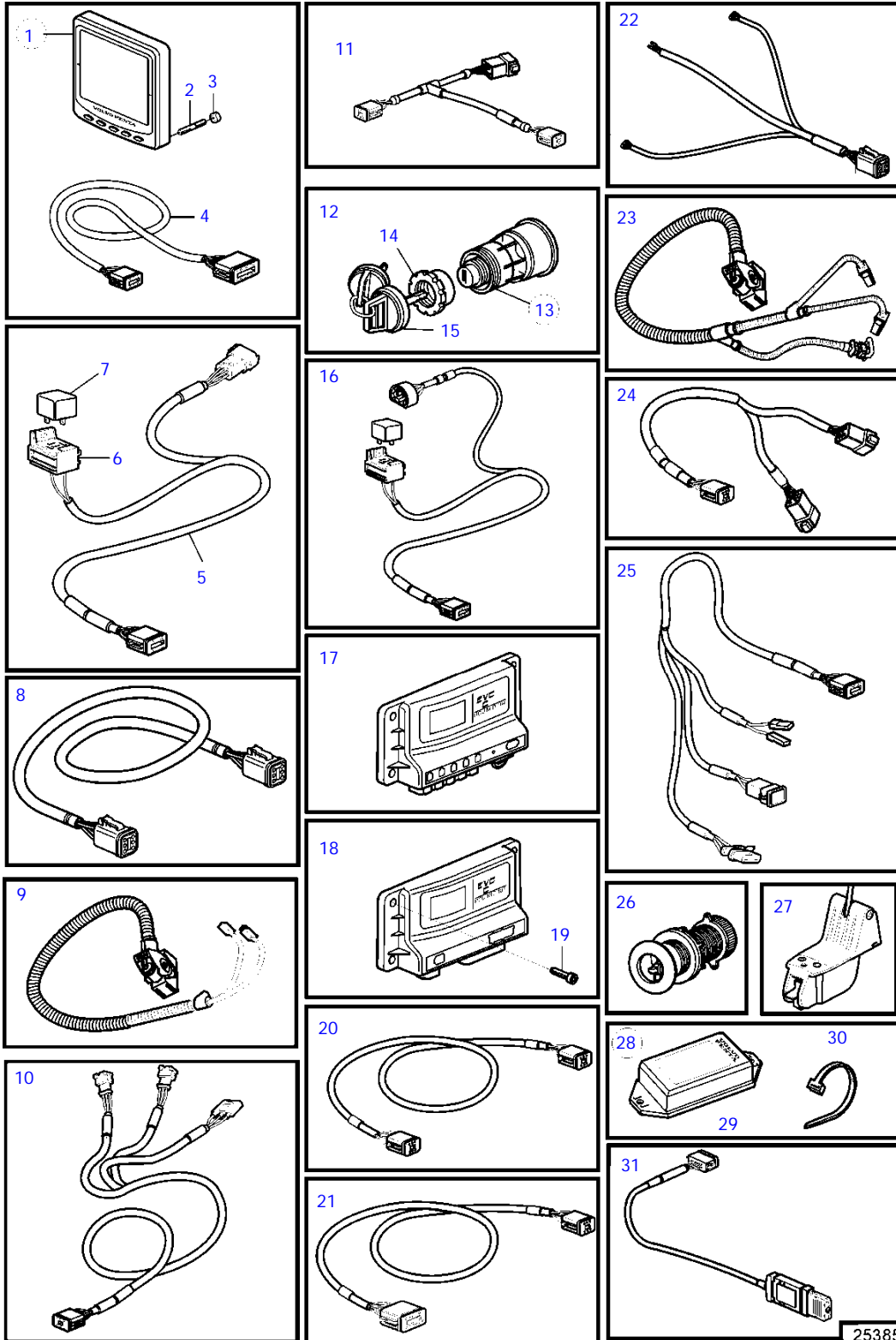
D4-180I-B, D4-210A-A, D4-210A-B, D4-210I-B, D4-225A-B, D4-225I-B, D4-260A-A, D4-260A-B, D4-260D-B, D4-260I-A, D4-260I-B, D4-300A-A, D4-300D-A, D4-300I-A



D4-180I-B, D4-210A-A, D4-210A-B, D4-210I-B, D4-225A-B, D4-225I-B, D4-260A-A, D4-260A-B, D4-260D-B, D4-260I-A, D4-260I-B, D4-300A-A, D4-300D-A, D4-300I-A

REF	PART NO.	QTY	DESCRIPTION	SEE SEC.	NOTES
1	3884818	1	Display		Replaced by 3849972
	3849972	1	Display		Replaced by 3595108
	3595108	1	Display		Replaced by 21173162
	21173162	1	Display		
2	830928	4	* Stud		
3	830930	4	* Nut		
4	3588207	1	* Cable kit		
5	881786	1	Cable kit		
6	977184	1	Housing		
7	873765	1	Relay		12V
	3171420	1	Relay		24V
8	3842733	1	Extension cable'verl		L=3.0m
	3842734	1	Extension cable'verl		L=5.0m
	3842735	1	Extension cable'verl		L=7.0m
	3842736	1	Extension cable'verl		L=9.0m
	3842737	1	Extension cable'verl		L=11.0m
	874789	1	Cable kit		PCU-HCU, 6 pole, L=5.0m
	889550	1	Cable		PCU-HCU, 6 pole, L=7.0m
	889551	1	Cable		PCU-HCU, 6 pole, L=9.0m
	889552	1	Cable		PCU-HCU, 6 pole, L=11.0m
	888013	1	Cable		PCU-HCU, 6 pole, L=13.0m
9	21122603	1	Cable		Engine-PCU cable., L=3.0m
	21122605	1	Cable		Engine-PCU cable., L=5.0m
10	874676	1	Cable kit		EVC control lever cable, 6-pole., L=1.5m
11	3588972	1	Cable kit		T-connector bus cable, 6-pole., L=0.5m
12	3587070	1	Starter switch, set		Kit with 2 key switch with identical key.
13	3587071	1	Starter switch		
14	859955	1	* Plastic nut		
15	859953	1	* Key		State key code when ordering.
			* Bulletin 49-30	49-30-EN	Key P/N 859953
16	888004	1	Cable, starter switch		
17	3884481	X	Control unit, not programmed		HCU. Software ordered separately or downloaded with Vodia.
	3586261	X	Software		Warehouse programming. This p/n can not be ordered, but will be used for invoicing.
	3586259	X	Software		Vodia-programming. This p/n can not be ordered, but will be used for invoicing.
18	3884480	X	Control unit, not programmed		PCU. Software ordered separately or downloaded with Vodia.
	3586267	X	Software		Warehouse programming. This p/n can not be ordered, but will be used for invoicing.
	3586266	X	Software		Vodia-programming. This p/n can not be ordered, but will be used for invoicing.
19	3886666	1	Cable, multilink		L=1.5m
20	874807	1	Cable kit, fuel, water, rudder		
21	3588206	1	Cable kit, y-split		Multilink.
22	3808852	1	Cable kit, instruments, panels		
23	3587054	1	Sensor		Through hull
24	3587055	1	Sensor		Mounted on transom
25	21509941	1	Control unit		
26	(3889760)	1	Auto pilot		Obsolete part
27	3889758	1	Converter		

D4-180I-B, D4-180I-C, D4-210A-A, D4-210A-B, D4-210I-A, D4-210I-B, D4-225A-B, D4-225A-C, D4-225I-B, D4-225I-C, D4-260A-A, D4-260A-B, D4-260A-C, D4-260D-B, D4-260D-C, D4-260I-A, D4-260I-B, D4-260I-C, D4-300A-A, D4-300A-C, D4-300D-A, D4-300D-C, D4-300I-A, D4-300I-C

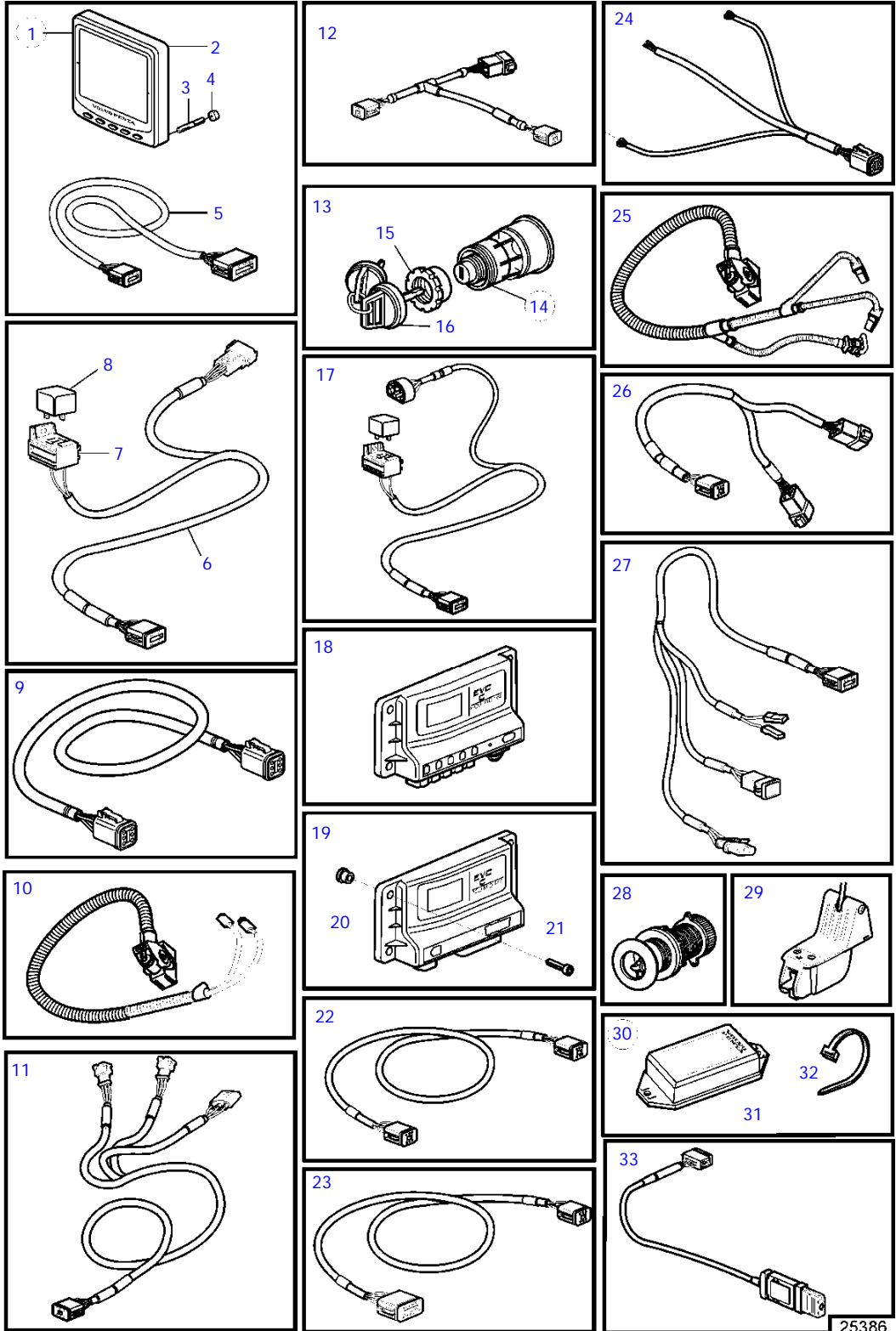


25385

D4-180I-B, D4-180I-C, D4-210A-A, D4-210A-B, D4-210I-A, D4-210I-B, D4-225A-B, D4-225A-C, D4-225I-B, D4-225I-C, D4-260A-A, D4-260A-B, D4-260A-C, D4-260D-B, D4-260D-C, D4-260I-A, D4-260I-B, D4-260I-C, D4-300A-A, D4-300A-C, D4-300D-A, D4-300D-C, D4-300I-A, D4-300I-C

REF	PART NO.	QTY	DESCRIPTION	SEE SEC.	NOTES
1	21173162	1	Display		
2	830928	4	* Stud		
3	830930	4	* Nut		
4	3588207	1	* Cable kit		
5	881786	1	Cable kit		
6	977184	1	Housing		
7	873765	1	Relay		12V
	3171420	1	Relay		24V
8	3842733	1	Extension cable'verl		L=3.0m
	3842734	1	Extension cable'verl		L=5.0m
	3842735	1	Extension cable'verl		L=7.0m
	3842736	1	Extension cable'verl		L=9.0m
	3842737	1	Extension cable'verl		L=11.0m
	21172469	1	Extension cable'verl		L=20m
	21172470	1	Extension cable'verl		L=40m
	874789	1	Cable kit		PCU-HCU, 6 pole, L=5.0m
	889550	1	Cable		PCU-HCU, 6 pole, L=7.0m
	889551	1	Cable		PCU-HCU, 6 pole, L=9.0m
	889552	1	Cable		PCU-HCU, 6 pole, L=11.0m
	888013	1	Cable		PCU-HCU, 6 pole, L=13.0m
9	40005754	1	Wiring harness		Engine-PCU cable., L=2.65m
10	874676	1	Cable kit		EVC control lever cable, 6-pole., L=1.5m
11	3588972	1	Cable kit		T-connector bus cable, 6-pole., L=0.5m
12	3587070	1	Starter switch, set		Kit with 2 key switch with identical key.
13	3587071	1	Starter switch		
14	859955	1	* Plastic nut		
15	859953	1	* Key		State key code when ordering.
			* Bulletin 49-30	49-30-EN	Key P/N 859953
16	888004	1	Cable, starter switch		
17	21339291	X	Control unit, not programmed		HCU. Software ordered separately or downloaded with Vodia.
	3586261	X	Software		Warehouse programming. This p/n can not be ordered, but will be used for invoicing.
	3586259	X	Software		Vodia-programming. This p/n can not be ordered, but will be used for invoicing.
	21172467		Control unit		XCU
18	21339311	X	Control unit, not programmed		PCU. Software ordered separately or downloaded with Vodia.
	3586267	X	Software		Warehouse programming. This p/n can not be ordered, but will be used for invoicing.
	3586266	X	Software		Vodia-programming. This p/n can not be ordered, but will be used for invoicing.
19	976104	4	Flange screw		
20	3886666	1	Cable, synchronizing		Synchronizing cabel for twin installation. 6 pole., L=1.5m
	21166002	1	Wiring harness		L=7m
	21166003	1	Wiring harness		L=9m
	21166004	1	Wiring harness		L=13m
21	3885343	1	Wiring harness		Triple and quadruple installation.
22	3807229	1	Wiring harness, fuel		
23	40005753	1	Wiring harness		
24	3588206	1	Cable kit, y-split		For connecting extra equipment to Multiink
25	3808852	1	Cable kit, instruments, panels		
26	3587054	1	Sensor		Through hull
27	3587055	1	Sensor		Mounted on transom
28	(21281264)	1	Converter		Obsolete part
29		1	* Converter		
30	948211	2	* Cable tie		
31	21509941	1	Control unit		

D4-180I-B, D4-180I-C, D4-180I-D, D4-210A-A, D4-210A-B, D4-210I-A, D4-210I-B, D4-225A-B, D4-225A-C, D4-225A-D, D4-225I-B, D4-225I-C, D4-225I-D, D4-260A-A, D4-260A-B, D4-260A-C, D4-260A-D, D4-260D-B, D4-260D-C, D4-260D-D, D4-260I-A, D4-260I-B, D4-260I-C, D4-260I-D, D4-300A-A, D4-300A-C, D4-300A-D, D4-300D-A, D4-300D-C, D4-300D-D, D4-300I-A, D4-300I-C, D4-300I-D, D4-180I-E, D4-225A-E, D4-225I-E, D4-260A-E, D4-260D-E, D4-260I-E, D4-300A-E, D4-300D-E, D4-300I-E

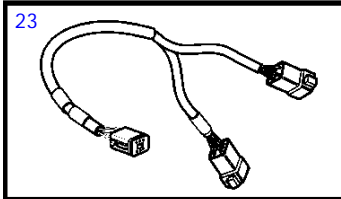
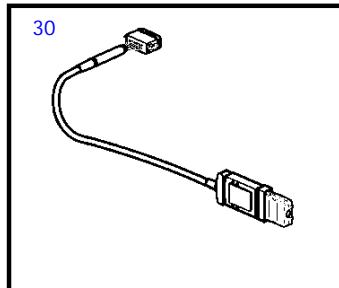
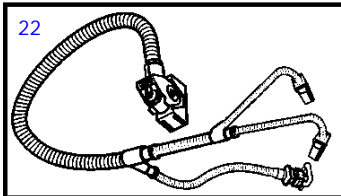
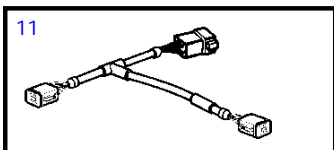
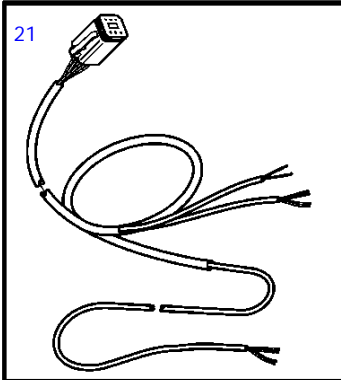
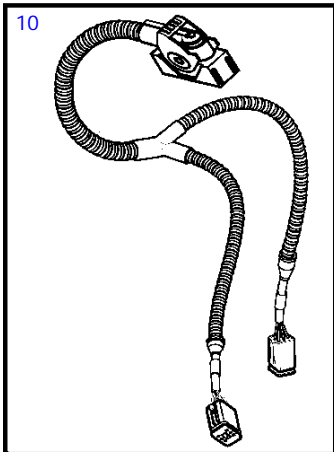
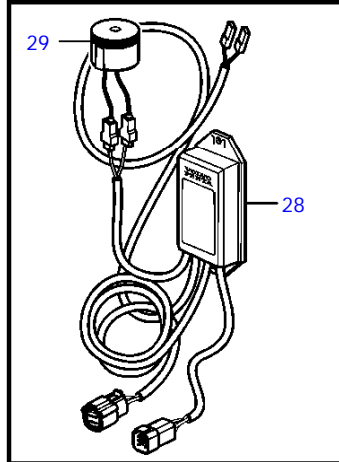
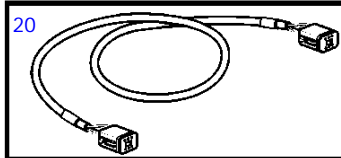
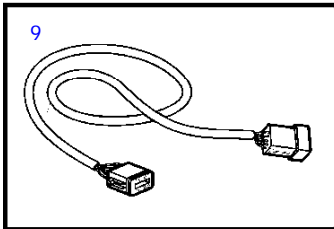
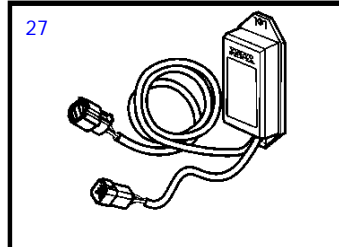
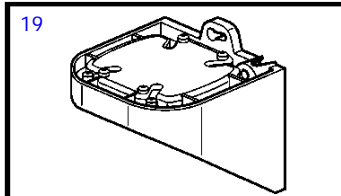
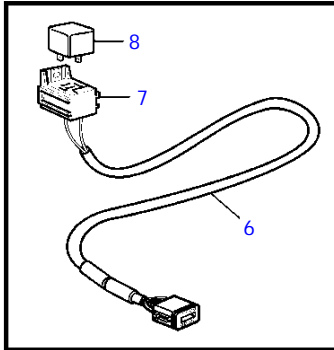
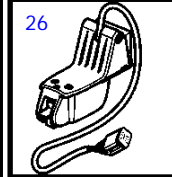
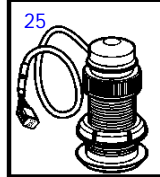
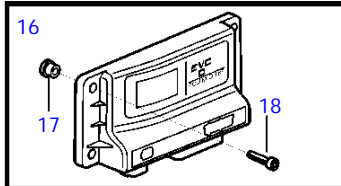
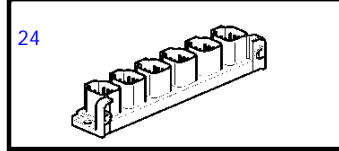
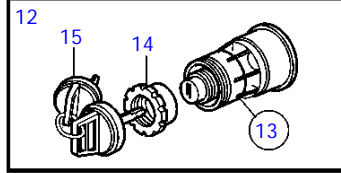
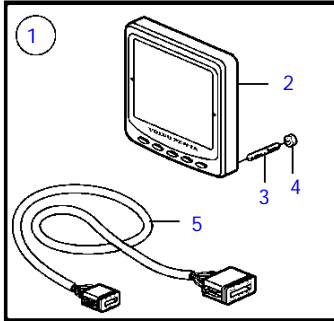


25386

D4-180I-B, D4-180I-C, D4-180I-D, D4-210A-A, D4-210A-B, D4-210I-A, D4-210I-B, D4-225A-B, D4-225A-C, D4-225A-D, D4-225I-B, D4-225I-C, D4-225I-D, D4-260A-A, D4-260A-B, D4-260A-C, D4-260A-D, D4-260D-B, D4-260D-C, D4-260D-D, D4-260I-A, D4-260I-B, D4-260I-C, D4-260I-D, D4-300A-A, D4-300A-C, D4-300A-D, D4-300D-A, D4-300D-C, D4-300D-D, D4-300I-A, D4-300I-C, D4-300I-D, D4-180I-E, D4-225A-E, D4-225I-E, D4-260A-E, D4-260D-E, D4-260I-E, D4-300A-E, D4-300D-E, D4-300I-E

REF	PART NO.	QTY	DESCRIPTION	SEE SEC.	NOTES
1	21352262	1	Display		Replaced by 21631438
	21631438	1	Kit		
2		1	* Display		
3	830928	4	* Stud		
4	830930	4	* Nut		
5	3588207	1	* Cable kit		
6	881786	1	Cable kit		
7	977184	1	Housing		
8	873765	1	Relay		12V
	3171420	1	Relay		24V
9	3842733	1	Extension cable'verl		L=3.0m
	3842734	1	Extension cable'verl		L=5.0m
	3842735	1	Extension cable'verl		L=7.0m
	3842736	1	Extension cable'verl		L=9.0m
	3842737	1	Extension cable'verl		L=11.0m
	21172469	1	Extension cable'verl		L=20m
	21172470	1	Extension cable'verl		L=40m
	874789	1	Cable kit		PCU-HCU, 6 pole, L=5.0m
	889550	1	Cable		PCU-HCU, 6 pole, L=7.0m
	889551	1	Cable		PCU-HCU, 6 pole, L=9.0m
	889552	1	Cable		PCU-HCU, 6 pole, L=11.0m
	888013	1	Cable		PCU-HCU, 6 pole, L=13.0m
10	40005754	1	Wiring harness		Engine-PCU cable., L=2.65m
11	874676	1	Cable kit		EVC control lever cable, 6-pole., L=1.5m
12	3588972	1	Cable kit		T-connector bus cable, 6-pole., L=0.5m
13	3587070	1	Starter switch, set		Kit with 2 key switch with identical key.
14	3587071	1	Starter switch		
15	859955	1	* Plastic nut		
16	859953	1	* Key		State key code when ordering.
			* Bulletin 49-30	49-30-EN	Key P/N 859953
17	888004	1	Cable, starter switch		
18	21321153	X	Control unit, not programmed		HCU. Software ordered separately or downloaded with Vodia.
	3586261	X	Software		Warehouse programming. This p/n can not be ordered, but will be used for invoicing.
	3586259	X	Software		Vodia-programming. This p/n can not be ordered, but will be used for invoicing.
	21172467		Control unit		XCU
19	21339311	X	Control unit, not programmed		PCU. Software ordered separately or downloaded with Vodia.
	3586267	X	Software		Warehouse programming. This p/n can not be ordered, but will be used for invoicing.
	3586266	X	Software		Vodia-programming. This p/n can not be ordered, but will be used for invoicing.
20	21230875	4	Sleeve		
21	976104	4	Flange screw		
22	3886666	1	Cable, synchronizing		Synchronizing cabel for twin installation. 6 pole., L=1.5m
	21166002	1	Wiring harness		L=7m
	21166003	1	Wiring harness		L=9m
	21166004	1	Wiring harness		L=13m
23	3885343	1	Wiring harness		Triple and quadruple installation.
24	3807229	1	Wiring harness, fuel		
25	40005753	1	Wiring harness		
26	3588206	1	Cable kit, y-split		For connecting extra equipment to Multilink
27	3808852	1	Cable kit, instruments, panels		
28	3587054	1	Sensor		Through hull
29	3587055	1	Sensor		Mounted on transom
30	(21281264)	1	Converter		Obsolete part
31		1	* Converter		
32	948211	2	* Cable tie		
33	21509941	1	Control unit		

D4-180I-E, D4-225A-E, D4-225I-E, D4-260A-E, D4-260D-E, D4-260I-E, D4-300A-E, D4-300D-E, D4-300I-E

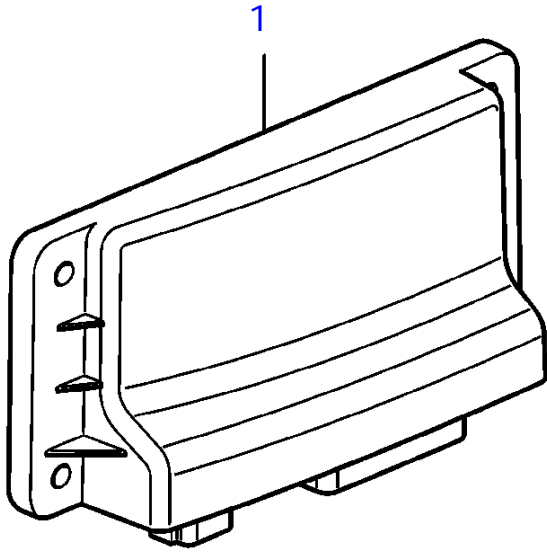


25991

D4-180I-E, D4-225A-E, D4-225I-E, D4-260A-E, D4-260D-E, D4-260I-E, D4-300A-E, D4-300D-E, D4-300I-E

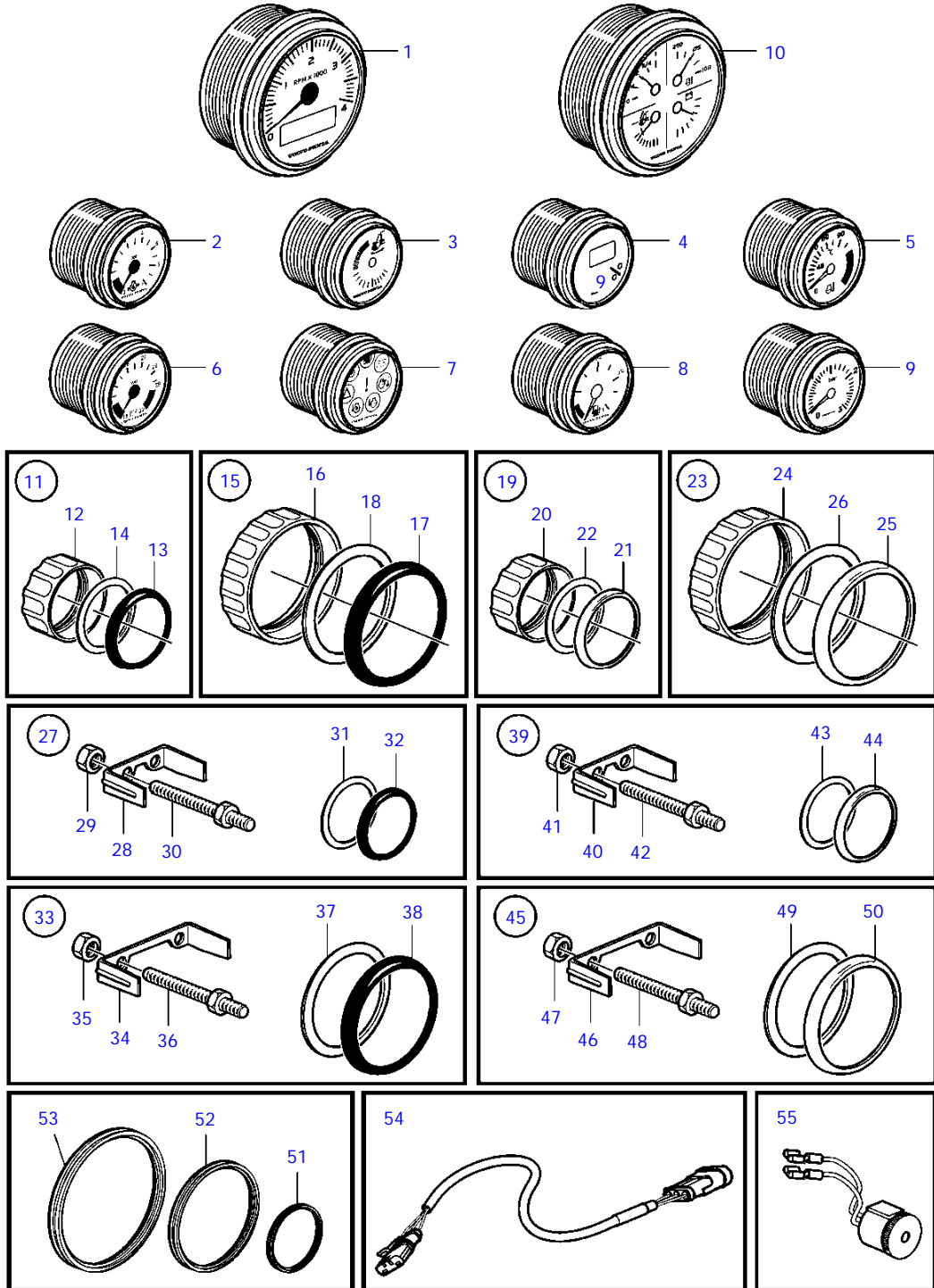
REF	PART NO.	QTY	DESCRIPTION	SEE SEC.	NOTES
1	21352262	1	Display		Replaced by 21631438
	21631438	1	Kit		
2		1	* Display		
3	830928	4	* Stud		
4	830930	4	* Nut		
5	3588207	1	* Cable kit		
6	21427463	1	Cable		Relay cable. 6-pin. L=1.5m
7	977184	1	Housing		
8	873765	1	Relay		12V
	3171420	1	Relay		24V
9	3889410	1	Extension cable'verl		L=1.5m, DPH-B
	3842733	1	Extension cable'verl		L=3.0m
	3842734	1	Extension cable'verl		L=5.0m
	3842735	1	Extension cable'verl		L=7.0m
	3842736	1	Extension cable'verl		L=9.0m
	3842737	1	Extension cable'verl		L=11.0m
	21172469	1	Extension cable'verl		L=20m
	21172470	1	Extension cable'verl		L=40m
10	40005754	1	Wiring harness		Engine-PCU cable., L=2.65m
11	3588972	1	Cable kit		T-connector bus cable, 6-pole., L=0.5m
12	3587070	1	Starter switch, set		Kit with 2 key switch with identical key.
13	3587071	1	Starter switch		
14	859955	1	* Plastic nut		
15	859953	1	* Key		State key code when ordering.
			* Bulletin 49-30	49-30-EN	Key P/N 859953
16	21469059	X	Control unit, not programmed		PCU. Software ordered separately or downloaded with Vodia.
	3586267	X	Software		Warehouse programming. This p/n can not be ordered, but will be used for invoicing.
	3586266	X	Software		Vodia-programming. This p/n can not be ordered, but will be used for invoicing.
17	21230875	4	* Sleeve		
18	976104	4	Flange screw		
19	21520222	1	Control unit		HCU. separate mounting. Software ordered separately or downloaded with Vodia.
	3586259	1	Software		Vodia-programming. This p/n can not be ordered, but will be used for invoicing.
	3586261	1	Software		Warehouse programming. This p/n can not be ordered, but will be used for invoicing.
20	3886666	1	Cable, synchronizing		Synchronizing cabel for twin installation. 6 pole., L=1.5m
21	3807229	1	Wiring harness, fuel		
22	40005753	1	Wiring harness		Transmission cable for reverse gear
23	3588206	1	Cable kit, y-split		For connecting extra equipment to Multilink
24	21469055	1	Connection block		
25	3587054	1	Sensor		Through hull
26	3587055	1	Sensor		Mounted on transom
27	21460908	1	Converter		
28	21461496	1	Network adapter		
29	3817974	1	* Alarm		
30	21509941	1	Control unit		

D4-180I-E, D4-225A-E, D4-225I-E, D4-260A-E, D4-260I-E, D4-300A-E, D4-300I-E



25275

D4-210A-A, D4-210I-A, D4-260A-A, D4-260I-A

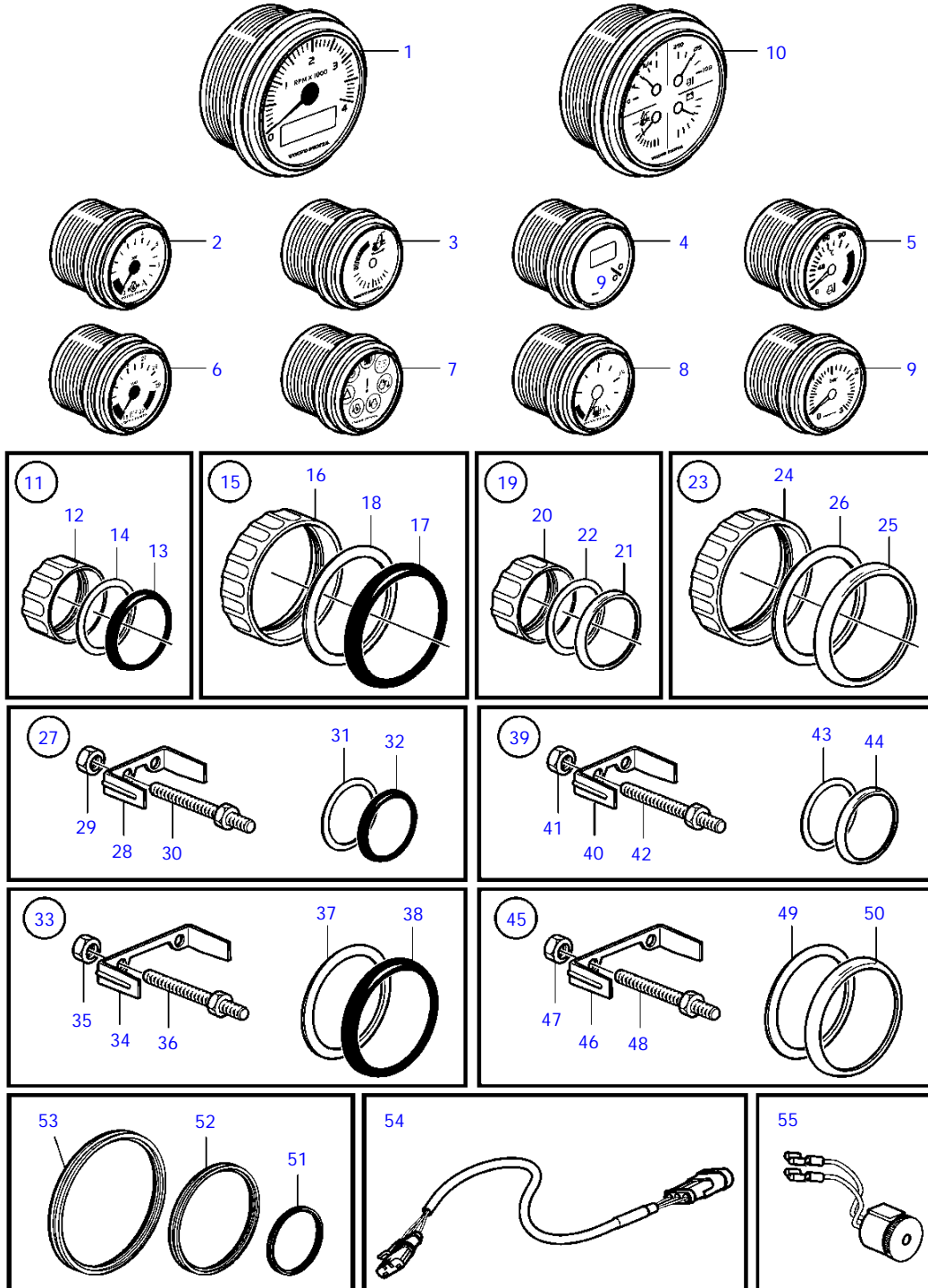


23760

D4-210A-A, D4-210I-A, D4-260A-A, D4-260I-A

REF	PART NO.	QTY	DESCRIPTION	SEE SEC.	NOTES
1	881646	1	Tachometer		Engine speed/hours, Black D=85mm
	881652	1	Tachometer		Engine speed/hours, White D=85mm
2	874908	1	Oil pressure gauge		Black 0-7 bar
	874919	1	Oil pressure gauge		Black 0-100 psi
	874923	1	Oil pressure gauge		White 0-7 bar
	874932	1	Oil pressure gauge		White 0-100 psi
3	3812881	1	Instrument		Black analog (874948)
	3812911	1	Instrument		White analog (874949)
4	881648	1	Trimmer		Black digital
	881654	1	Trimmer		White digital
5	874904	1	Thermometer, coolant water		Black 0-120°C
	874921	1	Thermometer, coolant water		White 0-120°C
	874918	1	Thermometer, coolant water		Black 40-250 °F
	874931	1	Thermometer, coolant water		White 40-250 °F
	881857	1	Thermometer, oil		Black 40-300 °F
	881858	1	Thermometer, oil		White 40-300 °F
6	881649	1	Voltmeter		12V, black
	881658	1	Voltmeter		12V, white
	874913	1	Voltmeter		24V, black
	874925	1	Voltmeter		24V, white
7	874915	1	Instrument, alarm		Black D=52mm
	874927	1	Instrument, alarm		White D=52mm
8	874914	1	Fuel gauge		Black D=52mm
	874926	1	Fuel gauge		White D=52mm
9	874910	1	Turbo pressure gauge		Black 0-3 bar
	874920	1	Turbo pressure gauge		Black 0-45 psi
	874924	1	Turbo pressure gauge		White 0-3 bar
	874933	1	Turbo pressure gauge		White 0-45 psi
10	3885214	1	Instrument		Four in one gauge (oil pressure, coolant temp, fuel level, volt meter)
			* Bulletin P-36-9-3	P-36-9-3-EN	New products in the EVC family
10	3885215	1	Instrument		Four in one gauge (trim analog, coolant temp, fuel level, volt meter)
			* Bulletin P-36-9-3	P-36-9-3-EN	New products in the EVC family
11	874709	1	Mounting kit		Black D=52mm
12	874450	1	* Attaching ring		
13	874448	1	* Ring		
14	874707	1	* Gasket		
15	874708	1	Mounting kit		Black D=85mm
16	874449	1	* Attaching ring		
17	874447	1	* Ring		
18	874706	1	* Gasket		
19	874733	1	Mounting kit		Chrome D=52mm
20	874450	1	* Attaching ring		
21	874731	1	* Ring		
22	874707	1	* Gasket		
23	874732	1	Mounting kit		Chrome D=85mm
24	874449	1	* Attaching ring		
25	874730	1	* Ring		
26	874706	1	* Gasket		
27	881611	1	Brace kit		Black D=52mm
28	881607	1	* Brace		
29	881610	2	* Nut		
30	881609	2	* Stud		
31	874707	1	* Gasket		
32	874448	1	* Ring		
33	881612	1	Brace kit		Black D=85mm
34	881608	1	* Brace		
35	881610	2	* Nut		
36	881609	2	* Stud		
37	874706	1	* Gasket		
38	874447	1	* Ring		
39	881613	1	Brace kit		Chrome D=52mm
40	881607	1	* Brace		
41	881610	2	* Nut		
42	881609	2	* Stud		
43	874707	1	* Gasket		
44	874731	1	* Ring		
45	881614	1	Brace kit		Chrome D=85mm
46	881608	1	* Brace		
47	881610	2	* Nut		
48	881609	2	* Stud		
49	874706	1	* Gasket		
50	874730	1	* Ring		
51	874843	1	X-ring, sealing		For flush mounting., D=52mm
52	874844	1	X-ring, sealing		For flush mounting., D=85mm
53	3886791	1	X-ring		For flush mounting., D=110mm
			* Bulletin P-36-9-3	P-36-9-3-EN	New products in the EVC family
54	874759	1	Extension cable/vert, instrument		L=1000mm
55	3817974	1	Alarm		(3863454)

D4-180I-B, D4-210A-B, D4-210I-B, D4-225A-B, D4-225I-B, D4-260A-B, D4-260I-B

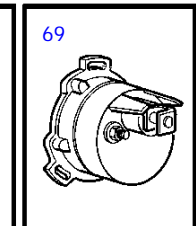
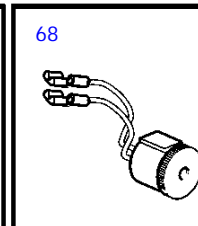
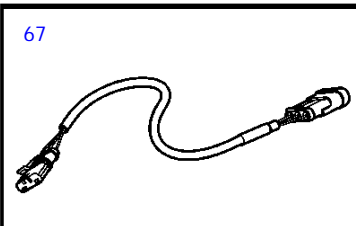
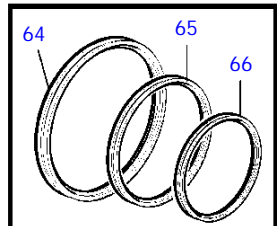
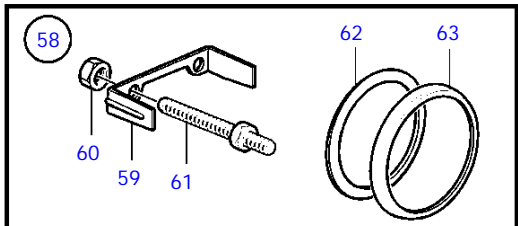
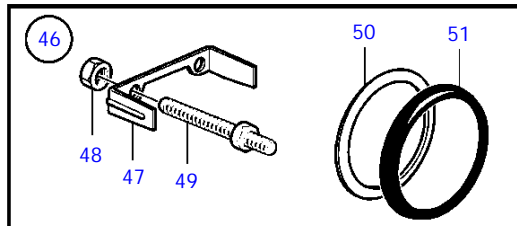
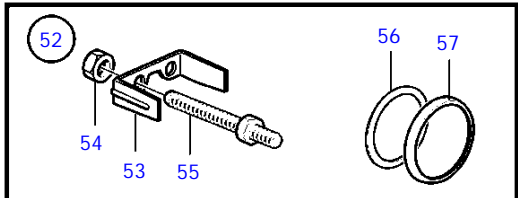
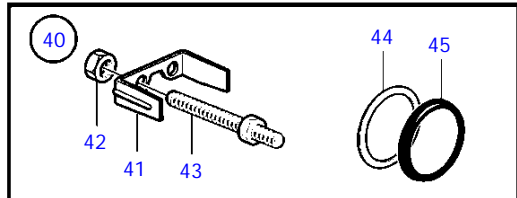
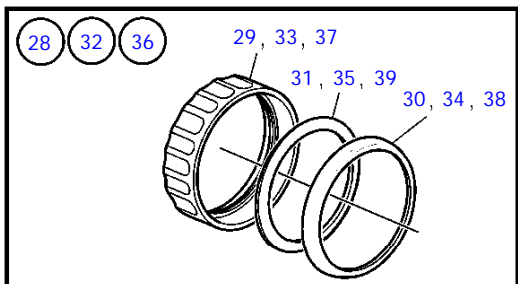
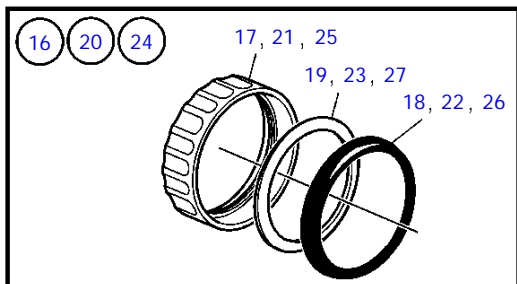
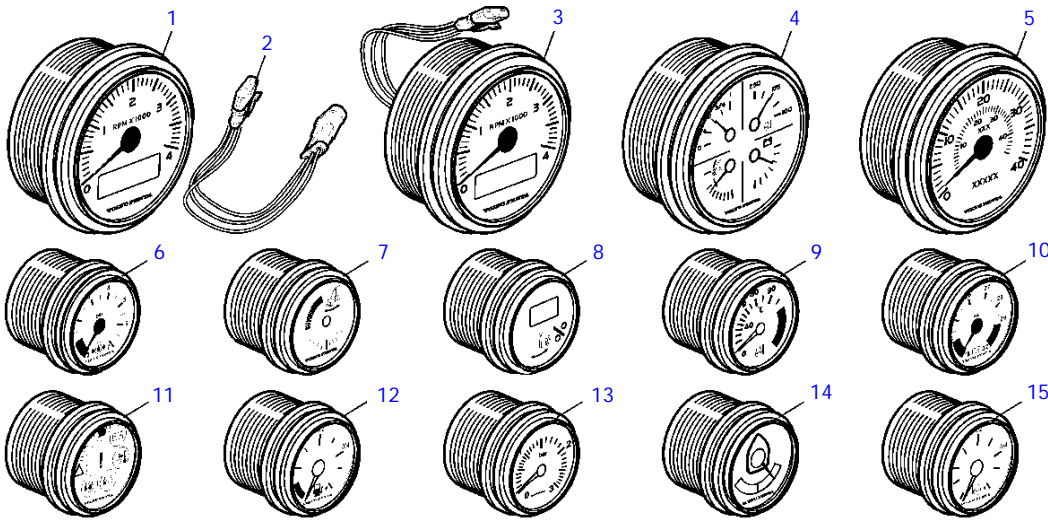


23760

D4-180I-B, D4-210A-B, D4-210I-B, D4-225A-B, D4-225I-B, D4-260A-B, D4-260I-B

REF	PART NO.	QTY	DESCRIPTION	SEE SEC.	NOTES
1	881646	1	Tachometer		Engine speed/hours, Black D=85mm
	881652	1	Tachometer		Engine speed/hours, White D=85mm
2	874908	1	Oil pressure gauge		Black 0-7 bar
	874919	1	Oil pressure gauge		Black 0-100 psi
	874923	1	Oil pressure gauge		White 0-7 bar
	874932	1	Oil pressure gauge		White 0-100 psi
3	3812881	1	Instrument		Black analog, (874948)
	3812911	1	Instrument		White analog, (874949)
4	881648	1	Trimmer		Black digital
	881654	1	Trimmer		White digital
5	874904	1	Thermometer, coolant water		Black 0-120°C
	874921	1	Thermometer, coolant water		White 0-120°C
	874918	1	Thermometer, coolant water		Black 40-250 °F
	874931	1	Thermometer, coolant water		White 40-250 °F
	881857	1	Thermometer, oil		Black 40-300 °F
	881858	1	Thermometer, oil		White 40-300 °F
6	881649	1	Voltmeter		12V, black
	881658	1	Voltmeter		12V, white
	874913	1	Voltmeter		24V, black
	874925	1	Voltmeter		24V, white
7	874915	1	Instrument, alarm		Black D=52mm
	874927	1	Instrument, alarm		White D=52mm
8	874914	1	Fuel gauge		Black D=52mm
	874926	1	Fuel gauge		White D=52mm
9	874910	1	Turbo pressure gauge		Black 0-3 bar
	874920	1	Turbo pressure gauge		Black 0-45 psi
	874924	1	Turbo pressure gauge		White 0-3 bar
	874933	1	Turbo pressure gauge		White 0-45 psi
10	3885214	1	Instrument		Four in one gauge (oil pressure, coolant temp, fuel level, volt meter)
			* Bulletin P-36-9-3	P-36-9-3-EN	New products in the EVC family
10	3885215	1	Instrument		Four in one gauge (trim analog, coolant temp, fuel level, volt meter)
			* Bulletin P-36-9-3	P-36-9-3-EN	New products in the EVC family
11	874709	1	Mounting kit		Black D=52mm
12	874450	1	* Attaching ring		
13	874448	1	* Ring		
14	874707	1	* Gasket		
15	874708	1	Mounting kit		Black D=85mm
16	874449	1	* Attaching ring		
17	874447	1	* Ring		
18	874706	1	* Gasket		
19	874733	1	Mounting kit		Chrome D=52mm
20	874450	1	* Attaching ring		
21	874731	1	* Ring		
22	874707	1	* Gasket		
23	874732	1	Mounting kit		Chrome D=85mm
24	874449	1	* Attaching ring		
25	874730	1	* Ring		
26	874706	1	* Gasket		
27	881611	1	Brace kit		Black D=52mm
28	881607	1	* Brace		
29	881610	2	* Nut		
30	881609	2	* Stud		
31	874707	1	* Gasket		
32	874448	1	* Ring		
33	881612	1	Brace kit		Black D=85mm
34	881608	1	* Brace		
35	881610	2	* Nut		
36	881609	2	* Stud		
37	874706	1	* Gasket		
38	874447	1	* Ring		
39	881613	1	Brace kit		Chrome D=52mm
40	881607	1	* Brace		
41	881610	2	* Nut		
42	881609	2	* Stud		
43	874707	1	* Gasket		
44	874731	1	* Ring		
45	881614	1	Brace kit		Chrome D=85mm
46	881608	1	* Brace		
47	881610	2	* Nut		
48	881609	2	* Stud		
49	874706	1	* Gasket		
50	874730	1	* Ring		
51	874843	1	X-ring, sealing		D=52mm, For flush mounting.
52	874844	1	X-ring, sealing		D=85mm, For flush mounting.
53	3886791	1	X-ring, sealing		D=110mm, For flush mounting.
			* Bulletin P-36-9-3	P-36-9-3-EN	New products in the EVC family
54	874759	1	Extension cable'verl, instrument		L=1000mm
55	3817974	1	Alarm		

D4-180I-B, D4-180I-C, D4-180I-D, D4-210A-A, D4-210A-B, D4-210I-A, D4-210I-B, D4-225A-B, D4-225A-C, D4-225A-D, D4-225I-B, D4-225I-C, D4-225I-D, D4-260A-A, D4-260A-B, D4-260A-C, D4-260A-D, D4-260D-B, D4-260D-C, D4-260D-D, D4-260I-A, D4-260I-B, D4-260I-C, D4-260I-D, D4-300A-A, D4-300A-C, D4-300A-D, D4-300D-A, D4-300D-C, D4-300D-D, D4-300I-A, D4-300I-C, D4-300I-D, D4-180I-E, D4-225A-E, D4-225I-E, D4-260A-E, D4-260D-E, D4-260I-E, D4-300A-E, D4-300D-E, D4-300I-E



24689

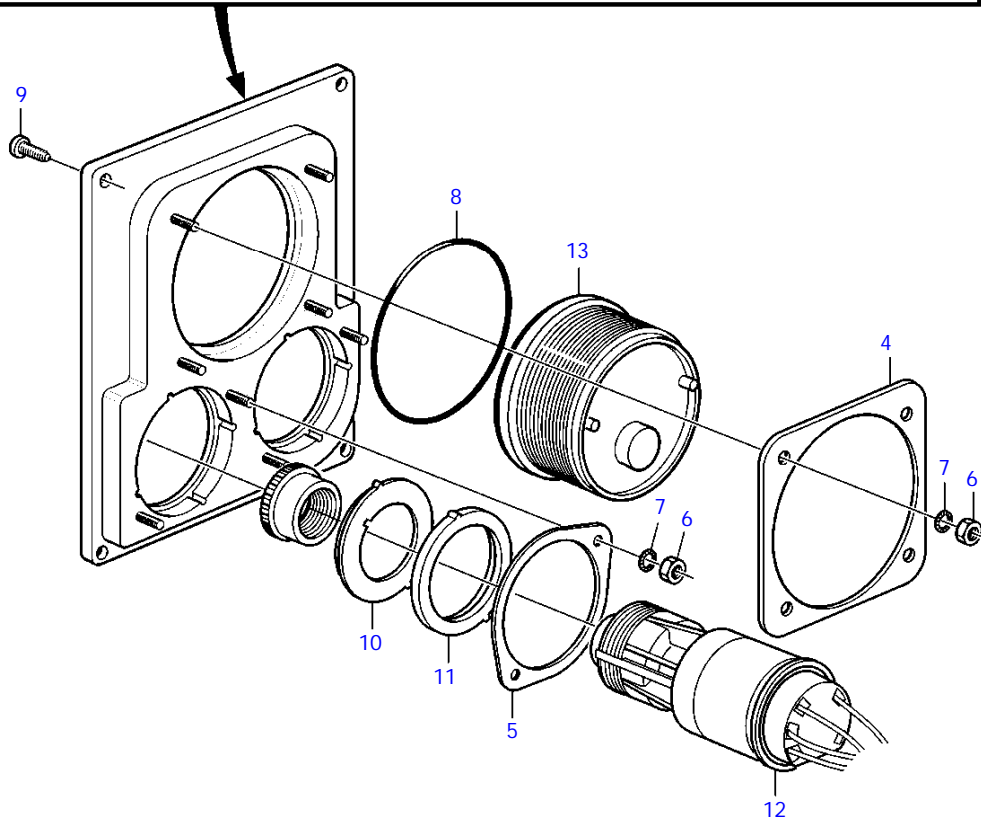
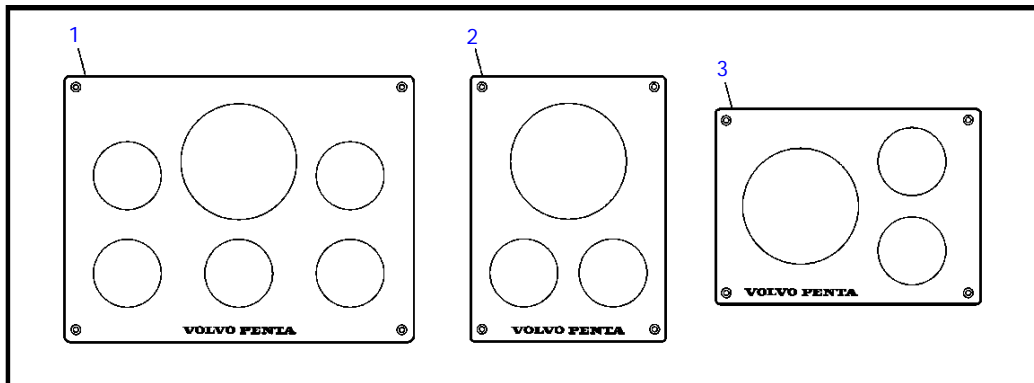
D4-180I-B, D4-180I-C, D4-180I-D, D4-210A-A, D4-210A-B, D4-210I-A, D4-210I-B, D4-225A-B, D4-225A-C, D4-225A-D, D4-225I-B, D4-225I-C, D4-225I-D, D4-260A-A, D4-260A-B, D4-260A-C, D4-260A-D, D4-260D-B, D4-260D-C, D4-260D-D, D4-260I-A, D4-260I-B, D4-260I-C, D4-260I-D, D4-300A-A, D4-300A-C, D4-300A-D, D4-300D-A, D4-300D-C, D4-300D-D, D4-300I-A, D4-300I-C, D4-300I-D, D4-180I-E, D4-225A-E, D4-225I-E, D4-260A-E, D4-260D-E, D4-260I-E, D4-300A-E, D4-300D-E, D4-300I-E

REF	PART NO.	QTY	DESCRIPTION	SEE SEC.	NOTES
1	21509650	1	Tachometer kit		Black, 4000rpm, Cable included, D=85mm
	21509649	1	Tachometer kit		White, 4000rpm, Cable included, D=85mm
2	3884843	1	* Wiring harness		
3	21234542	1	Tachometer kit		White, 4000rpm, Cable included, D=110mm
	21234543	1	Tachometer kit		Black, 4000rpm, Cable included, D=110mm
4	3885214	1	Instrument		Four in one gauge (oil pressure, coolant temp, fuel level, volt meter), White, D=110mm
			* Bulletin P-36-9-3	P-36-9-3-EN	New products in the EVC family
4	3885215	1	Instrument		Four in one gauge (trim analog, coolant temp, fuel level, volt meter), White, D=110mm
			* Bulletin P-36-9-3	P-36-9-3-EN	New products in the EVC family
4	3847876	1	Instrument		Four in one gauge (oil pressure, coolant temp, fuel level, volt meter), Black, D=110mm
			* Bulletin P-36-9-3	P-36-9-3-EN	New products in the EVC family
4	3847879	1	Instrument		Four in one gauge (trim analog, coolant temp, fuel level, volt meter), Black, D=110mm
			* Bulletin P-36-9-3	P-36-9-3-EN	New products in the EVC family
5	874930	1	Speedometer		White 0-40 Knots, 0-40 mph
	874917	1	Speedometer		Black 0-40 knots, 0-40 mph
	881650	1	Speedometer		White 0-60 Knots, 0-60 mph
	881645	1	Speedometer		Black 0-60 knots, 0-60 mph
	3807508	1	Speedometer		Black, 0-40 mph
	3847851	1	Speedometer		Black, 0-45 mph
	3807510	1	Speedometer		Black, 0-60 mph
	3847857	1	Speedometer		Black, 0-70 mph
	(3807512)	1	Speedometer		Obsolete part, White, 0-40 mph
	3847854	1	Speedometer		White, 0-45 mph
	3807513	1	Speedometer		White, 0-60 mph
	3847860	1	Speedometer		White, 0-70 mph
	3595249	1	Speedometer		Unit neutral, White, D=110mm, 0-40
			* Bulletin P-36-9-3	P-36-9-3-EN	New products in the EVC family
5	3595253	1	Speedometer		Unit neutral, White, D=110mm, 0-60
			* Bulletin P-36-9-3	P-36-9-3-EN	New products in the EVC family
5	3595246	1	Speedometer		Unit neutral, Black, D=110mm, 0-40
			* Bulletin P-36-9-3	P-36-9-3-EN	New products in the EVC family
5	3595250	1	Speedometer		Unit neutral, Black, D=110mm, 0-60
			* Bulletin P-36-9-3	P-36-9-3-EN	New products in the EVC family
6	874919	1	Oil pressure gauge		Black 0-100 psi
	874923	1	Oil pressure gauge		White 0-7 bar
	874932	1	Oil pressure gauge		White 0-100 psi
7	3812881	1	Instrument		Black analog
	3812911	1	Instrument		White analog
8	881648	1	Trimmer		Black digital
	881654	1	Trimmer		White digital
9	874904	1	Thermometer, coolant water		Black 0-120°C
	874921	1	Thermometer, coolant water		White 0-120°C
	874918	1	Thermometer, coolant water		Black 40-250 °F
	874931	1	Thermometer, coolant water		White 40-250 °F
	881857	1	Thermometer, oil		Black 40-300 °F
	881858	1	Thermometer, oil		White 40-300 °F
10	881649	1	Voltmeter		12V, black
	881658	1	Voltmeter		12V, white
	874913	1	Voltmeter		24V, black
	874925	1	Voltmeter		24V, white
11	874915	1	Instrument, alarm		Black D=52mm
	874927	1	Instrument, alarm		White D=52mm
12	874914	1	Fuel gauge		Black D=52mm
	874926	1	Fuel gauge		White D=52mm
13	874910	1	Turbo pressure gauge		Black 0-3 bar
	874920	1	Turbo pressure gauge		Black 0-45 psi
	874924	1	Turbo pressure gauge		White 0-3 bar
	874933	1	Turbo pressure gauge		White 0-45 psi
14	3812914	1	Rudder indicator		Black
	3812917	1	Rudder indicator		White
15	874911	1	Pressure gauge, freshwater		Black 0-3 bar
	874912	1	Pressure gauge, sea water		Black 0-3 bar
16	874709	1	Mounting kit		Black D=52mm
17	874450	1	* Attaching ring		
18	874448	1	* Ring		
19	874707	1	* Gasket		
20	874708	1	Mounting kit		Black D=85mm
21	874449	1	* Attaching ring		
22	874447	1	* Ring		
23	874706	1	* Gasket		
24	3847888	1	Mounting kit		Black D=110mm
			* Bulletin P-36-9-3	P-36-9-3-EN	New products in the EVC family
25	3884098	1	* Attaching ring		
26	3847887	1	* Ring		
27	3884103	1	* Gasket		
28	874733	1	Mounting kit		Chrome D=52mm
29	874450	1	* Attaching ring		
30	874731	1	* Ring		
31	874707	1	* Gasket		
32	874732	1	Mounting kit		Chrome D=85mm
33	874449	1	* Attaching ring		
34	874730	1	* Ring		
35	874706	1	* Gasket		
36	3885216	1	Mounting kit		Chrome D=110mm

D4-180I-B, D4-180I-C, D4-180I-D, D4-210A-A, D4-210A-B, D4-210I-A, D4-210I-B, D4-225A-B, D4-225A-C, D4-225A-D, D4-225I-B, D4-225I-C, D4-225I-D, D4-260A-A, D4-260A-B, D4-260A-C, D4-260A-D, D4-260D-B, D4-260D-C, D4-260D-D, D4-260I-A, D4-260I-B, D4-260I-C, D4-260I-D, D4-300A-A, D4-300A-C, D4-300A-D, D4-300D-A, D4-300D-C, D4-300D-D, D4-300I-A, D4-300I-C, D4-300I-D, D4-180I-E, D4-225A-E, D4-225I-E, D4-260A-E, D4-260D-E, D4-260I-E, D4-300A-E, D4-300D-E, D4-300I-E

REF	PART NO.	QTY	DESCRIPTION	SEE SEC.	NOTES
			* Bulletin P-36-9-3	P-36-9-3-EN	New products in the EVC family
37	3884098	1	* Attaching ring		
38	3884096	1	* Ring		
39	3884103	1	* Gasket		
40	881611	1	Brace kit		Black D=52mm
41	881607	1	* Brace		
42	881610	2	* Nut		
43	881609	2	* Stud		
44	874707	1	* Gasket		
45	874448	1	* Ring		
46	881612	1	Brace kit		Black D=85mm
47	881608	1	* Brace		
48	881610	2	* Nut		
49	881609	2	* Stud		
50	874706	1	* Gasket		
51	874447	1	* Ring		
52	881613	1	Brace kit		Chrome D=52mm
53	881607	1	* Brace		
54	881610	2	* Nut		
55	881609	2	* Stud		
56	874707	1	* Gasket		
57	874731	1	* Ring		
58	881614	1	Brace kit		Chrome D=85mm
59	881608	1	* Brace		
60	881610	2	* Nut		
61	881609	2	* Stud		
62	874706	1	* Gasket		
63	874730	1	* Ring		
64	3886791	1	X-ring		For flush mounting., D=110mm
			* Bulletin P-36-9-3	P-36-9-3-EN	New products in the EVC family
65	874844	1	X-ring		For flush mounting., D=85mm
66	874843	1	X-ring		For flush mounting., D=52mm
67	874759	1	Extension cable'verl		L=1000mm
	3807043	1	Extension cable'verl		L=3000mm
68	3817974	1	Alarm		
69	3809099	1	Rudder position sens		Rudder indicator

D4-180I-B, D4-180I-C, D4-180I-D, D4-210A-A, D4-210A-B, D4-210I-A, D4-210I-B, D4-225A-B, D4-225A-C, D4-225A-D, D4-225I-B, D4-225I-C, D4-225I-D, D4-260A-A, D4-260A-B, D4-260A-C, D4-260A-D, D4-260D-B, D4-260D-C, D4-260D-D, D4-260I-A, D4-260I-B, D4-260I-C, D4-260I-D, D4-300A-A, D4-300A-C, D4-300A-D, D4-300D-A, D4-300D-C, D4-300D-D, D4-300I-A, D4-300I-C, D4-300I-D, D4-180I-E, D4-225A-E, D4-225I-E, D4-260A-E, D4-260D-E, D4-260I-E, D4-300A-E, D4-300D-E, D4-300I-E

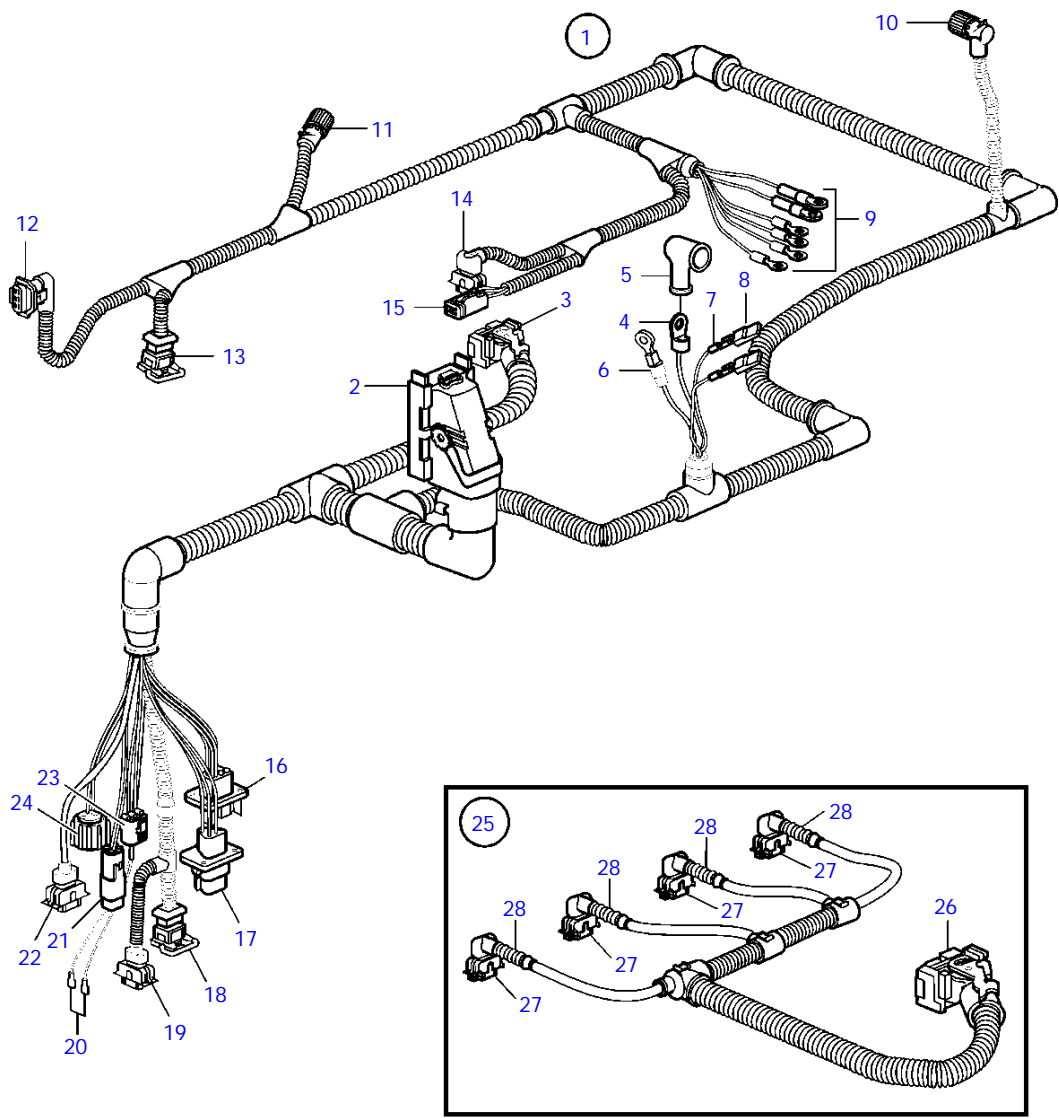


22938

D4-180I-B, D4-180I-C, D4-180I-D, D4-210A-A, D4-210A-B, D4-210I-A, D4-210I-B, D4-225A-B, D4-225A-C, D4-225A-D, D4-225I-B, D4-225I-C, D4-225I-D, D4-260A-A, D4-260A-B, D4-260A-C, D4-260A-D, D4-260D-B, D4-260D-C, D4-260D-D, D4-260I-A, D4-260I-B, D4-260I-C, D4-260I-D, D4-300A-A, D4-300A-C, D4-300A-D, D4-300D-A, D4-300D-C, D4-300D-D, D4-300I-A, D4-300I-C, D4-300I-D, D4-180I-E, D4-225A-E, D4-225I-E, D4-260A-E, D4-260D-E, D4-260I-E, D4-300A-E, D4-300D-E, D4-300I-E

REF	PART NO.	QTY	DESCRIPTION	NOTES
1	3589928	1	Instrument panel pla	
2	3589929	1	Instrument panel	
3	3808659	1	Instrument panel	
4	3808692	1	Lock ring	
5	3808693	1	Lock ring	
6	984990	8	Hexagon nut	
7	984991	8	Toothed washer	
8	874843	2	X-ring	D=52mm
	874844	1	X-ring	D=85mm
9	828647	4	Screw	
10	3589932	1	Adapter sleeve	
11	3809239	1	Adapter sleeve	
12		X	Lock, ignition	
13		X	Instrument	

D4-180I-B, D4-210A-A, D4-210A-B, D4-210I-A, D4-210I-B, D4-225A-B, D4-225I-B, D4-260I-A, D4-260I-B, D4-300I-A



21625

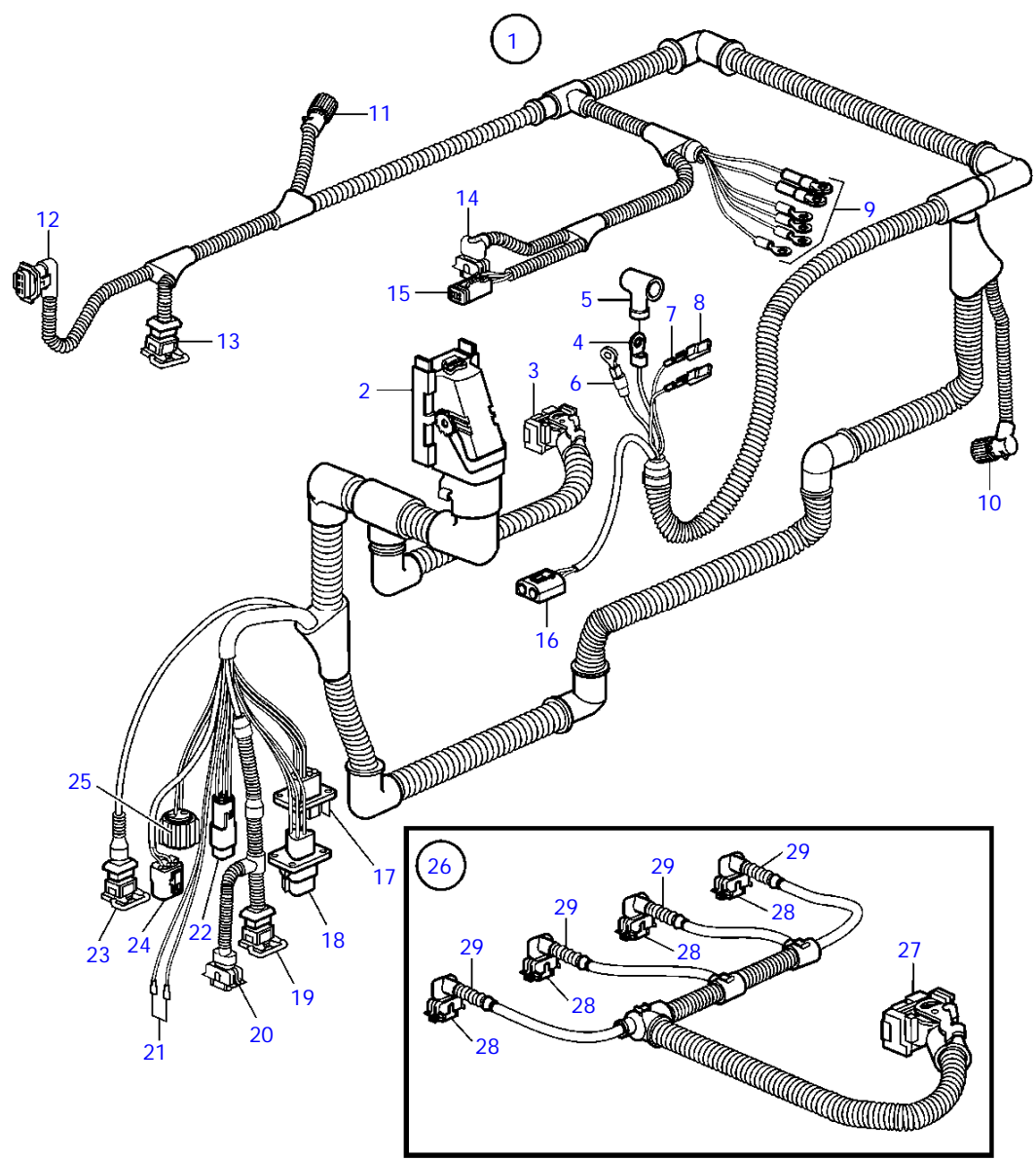


D4-180I-B, D4-210A-A, D4-210A-B, D4-210I-A, D4-210I-B, D4-225A-B, D4-225I-B, D4-260I-A, D4-260I-B, D4-300I-A

REF	PART NO.	QTY	DESCRIPTION	NOTES
1	889416	1	Wiring harness	SN-2004004524
	3840339	1	Wiring harness	SN2004004525-, Replaced by 3883799
	3883799	1	Wiring harness	
2	874567	1	* Cover, 89-pole	EDC-unit
3	874568	1	* Cover, 36-pole	EDC-unit
4	976478	1	* Cable terminal	
5	842150	1	* Protective cap	
6	976477	1	* Cable terminal	
7	973121	2	* Cable terminal	
8	949597	2	* Housing	
9	978969	1	* Cable terminal	
	970790	1	* Cable terminal	
	940336	1	* Cable terminal	
	978966	1	* Cable terminal	
	978970	1	* Cable terminal	
	940337	1	* Cable terminal	
10	8159013	1	* Housing	
11	8159018	1	* Adapter	
12	874456	1	* Receptacle housing, pressure/temp	4-pole
13	977929	1	* Housing, WIF	3-pole
14	874368	1	* Receptacle housing, fuel pump	
15	874957	1	* Housing	4-pole
16	874432	1	* Tab housing	VPEP
17	874654	1	* Housing, oil level	
18	874432	1	* Tab housing, temperature	Fuel
19	874455	1	* Receptacle housing, pressure	3-pole
20		1	* Stop connector	
21	874802	1	* Insulator	
22	976256	1	* Housing, temperature	2-pole
23	970753	1	* Housing, temperature	2-pole
24	8159013	1	* Housing	4-pole
25	3809873	1	Wiring harness	
26	874566	1	* Coupling piece	16-pole
27	874368	4	* Receptacle housing	2-pole
28	3809871	4	* Rubber cap	



D4-260A-A, D4-260A-B, D4-260D-B, D4-300A-A, D4-300D-A



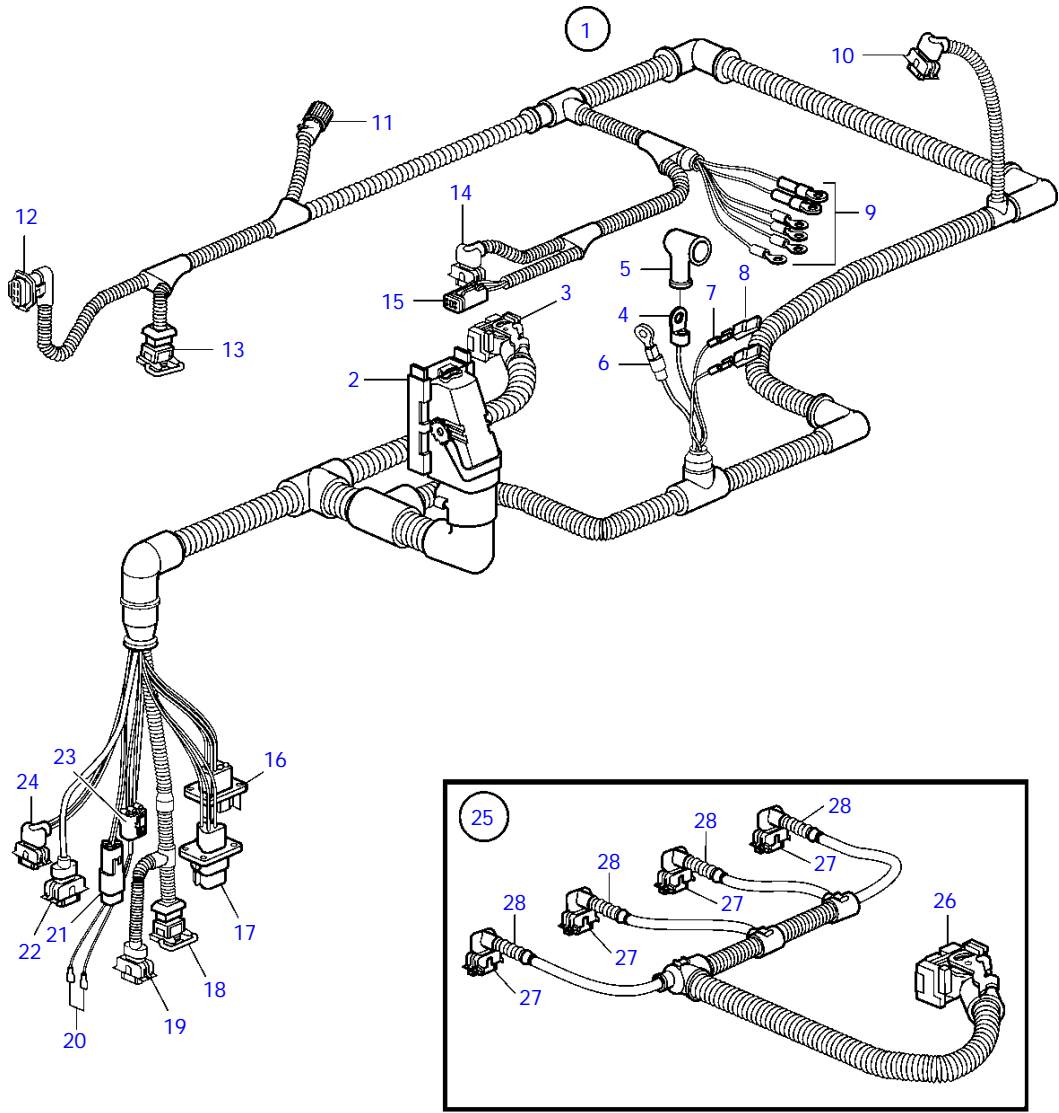
21504



D4-260A-A, D4-260A-B, D4-260D-B, D4-300A-A, D4-300D-A

REF	PART NO.	QTY	DESCRIPTION	NOTES
1	889391	1	Wiring harness	SN-2004004473
	3840337	1	Wiring harness	SN2004004474-, Replaced by 3886310
	3886310	1	Wiring harness	
2	874567	1	* Cover, 89-pole	EDC-unit
3	874568	1	* Cover, 36-pole	EDC-unit
4	976478	1	* Cable terminal	
5	842150	1	* Protective cap	
6	976477	1	* Cable terminal	
7	973121	2	* Cable terminal	
8	949597	2	* Housing	
9	978969	1	* Cable terminal	
	970790	1	* Cable terminal	
	940336	1	* Cable terminal	
	978966	1	* Cable terminal	
	978970	1	* Cable terminal	
	940337	1	* Cable terminal	
10	8159013	1	* Housing	
11	8159018	1	* Adapter	
12	874456	1	* Receptacle housing, pressure/temp	4-pole
13	977929	1	* Housing, WIF	3-pole
14	874368	1	* Receptacle housing, fuel pump	
15	874957	1	* Housing	4-pole
16	1307048	1	* Housing	
17	874432	1	* Tab housing	VPEP
18	874654	1	* Housing, oil level	
19	874432	1	* Tab housing, temperature	Fuel
20	874455	1	* Receptacle housing, pressure	3-pole
21		1	* Stop connector	
22	874802	1	* Insulator	
23	976256	1	* Housing, temperature	2-pole
24	970753	1	* Housing, temperature	2-pole
25	8159013	1	* Housing	4-pole
26	3809875	1	Wiring harness	
27	874566	1	* Coupling piece	16-pole
28	874368	4	* Receptacle housing	2-pole
29	3809871	4	* Rubber cap	

D4-180I-B, D4-210A-A, D4-210A-B, D4-210I-A, D4-210I-B, D4-225A-B, D4-225I-B, D4-260I-A, D4-260I-B, D4-300I-A



24685

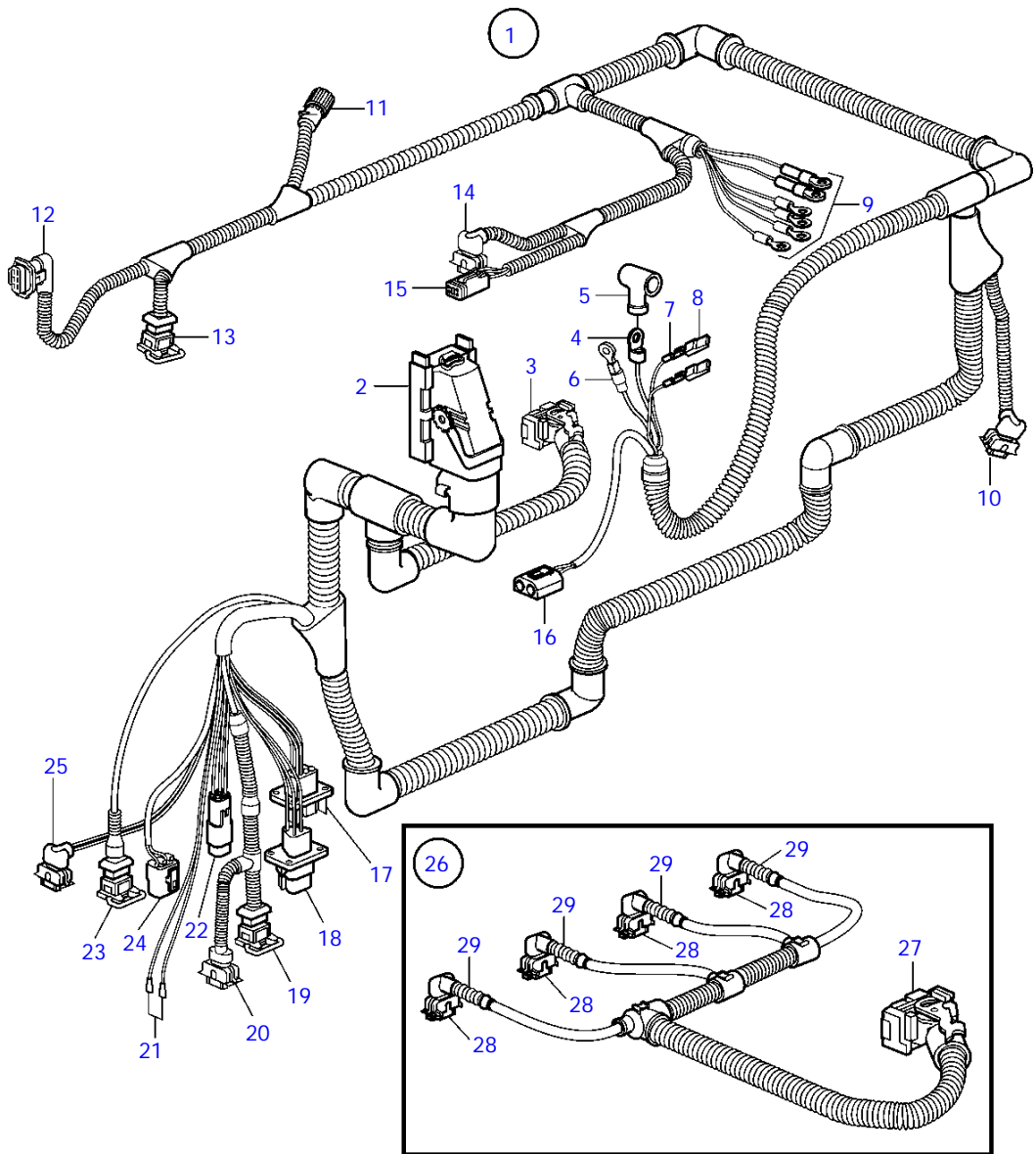


D4-180I-B, D4-210A-A, D4-210A-B, D4-210I-A, D4-210I-B, D4-225A-B, D4-225I-B, D4-260I-A, D4-260I-B, D4-300I-A

REF	PART NO.	QTY	DESCRIPTION	NOTES
1	21138335	1	Wiring harness	
2	874567	1	* Cover, 89-pole	EDC-unit
3	874568	1	* Cover, 36-pole	EDC-unit
4	976478	1	* Cable terminal	
5	842150	1	* Protective cap	
6	976477	1	* Cable terminal	
7	973121	2	* Cable terminal	
8	949597	2	* Housing	
9	978969	1	* Cable terminal	
	970790	1	* Cable terminal	
	940336	1	* Cable terminal	
	978966	1	* Cable terminal	
	978970	1	* Cable terminal	
	940337	1	* Cable terminal	
10	874368	1	* Receptacle housing	
11	8159018	1	* Adapter	
12	874456	1	* Receptacle housing, pressure/temp	4-pole
13	977929	1	* Housing, WIF	3-pole
14	874368	1	* Receptacle housing, fuel pump	
15	874957	1	* Housing	4-pole
16	874432	1	* Tab housing	VPEP
17	874654	1	* Housing, oil level	
18	874432	1	* Tab housing, temperature	Fuel
19	874455	1	* Receptacle housing, pressure	3-pole
20		1	* Stop connector	
21	874802	1	* Insulator	
22	976256	1	* Housing, temperature	2-pole
23	970753	1	* Housing, temperature	2-pole
24	874368	1	* Receptacle housing	4-pole
25	3809873	1	Wiring harness	
26	874566	1	* Coupling piece	16-pole
27	874368	4	* Receptacle housing	2-pole
28	3809871	4	* Rubber cap	



D4-260A-A, D4-260A-B, D4-260D-B, D4-300A-A, D4-300D-A



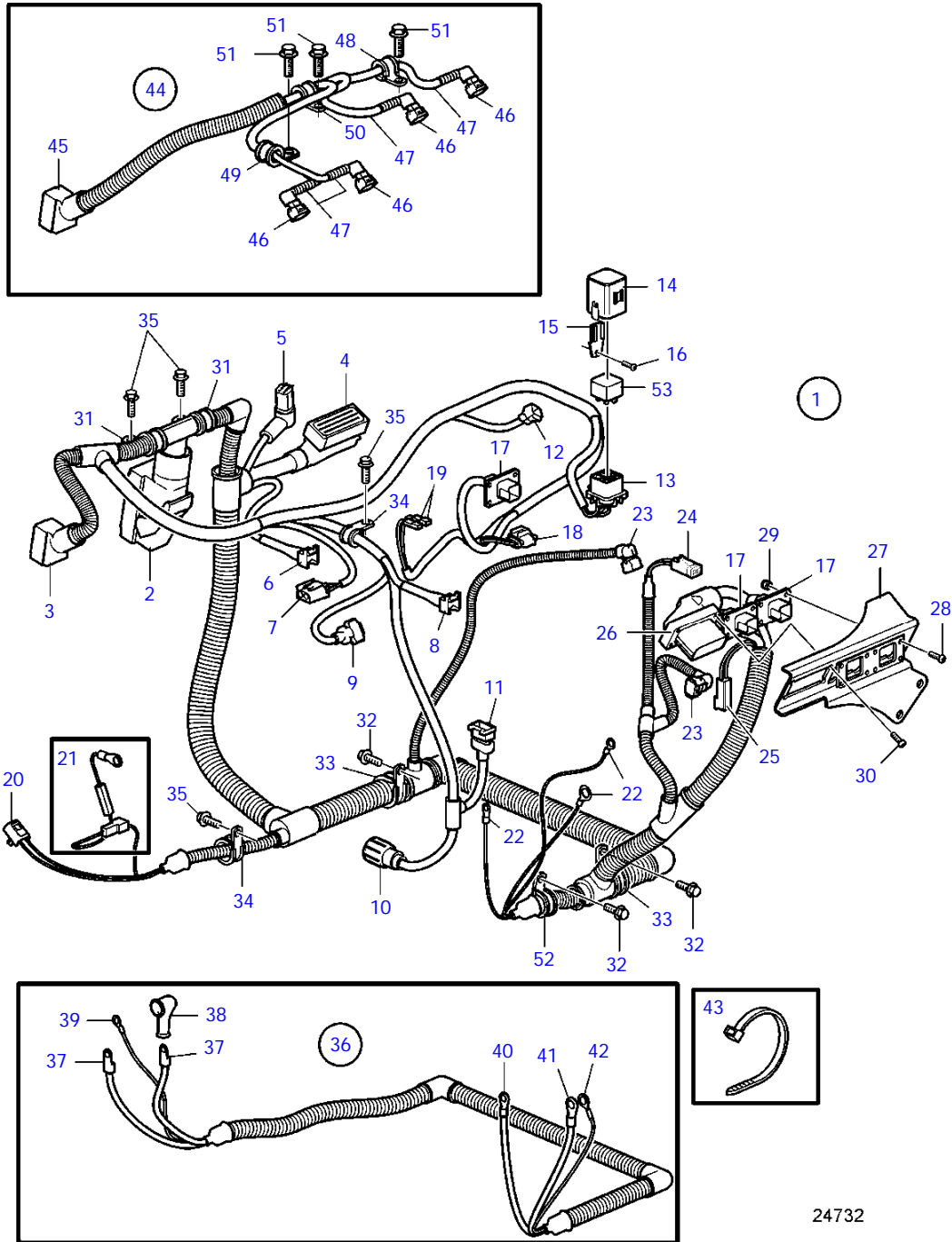
24686



D4-260A-A, D4-260A-B, D4-260D-B, D4-300A-A, D4-300D-A

REF	PART NO.	QTY	DESCRIPTION	NOTES
1	21138337	1	Wiring harness	
2	874567	1	* Cover, 89-pole	EDC-unit
3	874568	1	* Cover, 36-pole	EDC-unit
4	976478	1	* Cable terminal	
5	842150	1	* Protective cap	
6	976477	1	* Cable terminal	
7	973121	2	* Cable terminal	
8	949597	2	* Housing	
9	978969	1	* Cable terminal	
	970790	1	* Cable terminal	
	940336	1	* Cable terminal	
	978966	1	* Cable terminal	
	978970	1	* Cable terminal	
	940337	1	* Cable terminal	
10	874368	1	* Receptacle housing	
11	8159018	1	* Adapter	
12	874456	1	* Receptacle housing, pressure/temp	4-pole
13	977929	1	* Housing, WIF	3-pole
14	874368	1	* Receptacle housing, fuel pump	
15	874957	1	* Housing	4-pole
16	1307048	1	* Housing	
17	874432	1	* Tab housing	VPEP
18	874654	1	* Housing, oil level	
19	874432	1	* Tab housing, temperature	Fuel
20	874455	1	* Receptacle housing, pressure	3-pole
21		1	* Stop connector	
22	874802	1	* Insulator	
23	976256	1	* Housing, temperature	2-pole
24	970753	1	* Housing, temperature	2-pole
25	874368	1	* Receptacle housing	4-pole
26	3809875	1	Wiring harness	
27	874566	1	* Coupling piece	16-pole
28	874368	4	* Receptacle housing	2-pole
29	3809871	4	* Rubber cap	

D4-180I-B, D4-180I-C, D4-180I-D, D4-210A-A, D4-210A-B, D4-210I-A, D4-210I-B, D4-225A-B, D4-225A-C, D4-225A-D, D4-225I-B, D4-225I-C, D4-225I-D, D4-260A-A, D4-260A-B, D4-260A-C, D4-260A-D, D4-260D-B, D4-260D-C, D4-260D-D, D4-260I-A, D4-260I-B, D4-260I-C, D4-260I-D, D4-300A-A, D4-300A-C, D4-300A-D, D4-300D-A, D4-300D-C, D4-300D-D, D4-300I-A, D4-300I-C, D4-300I-D, D4-180I-E, D4-225A-E, D4-225I-E, D4-260A-E, D4-260D-E, D4-260I-E, D4-300A-E, D4-300D-E, D4-300I-E

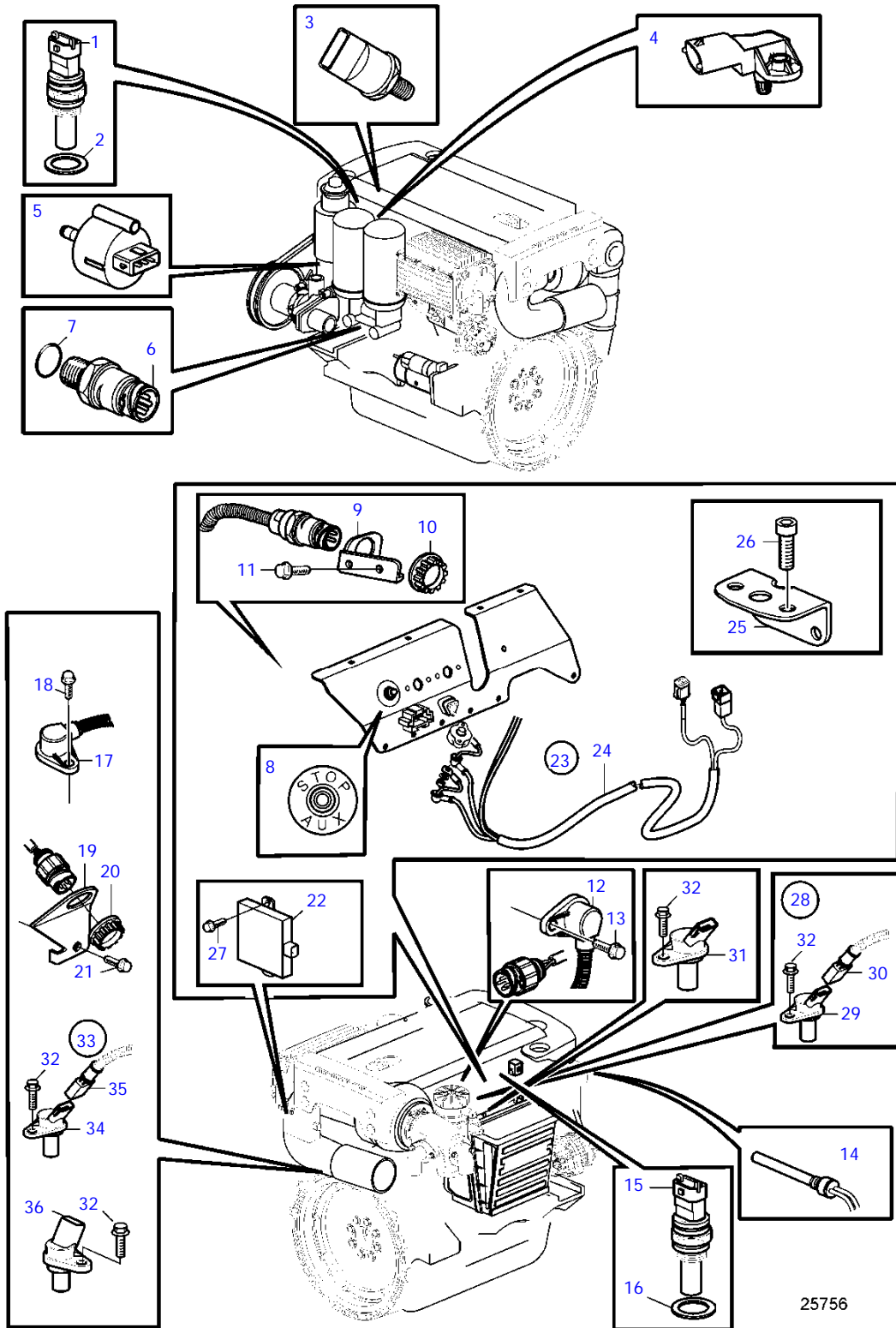


24732

D4-180I-B, D4-180I-C, D4-180I-D, D4-210A-A, D4-210A-B, D4-210I-A, D4-210I-B, D4-225A-B, D4-225A-C, D4-225A-D, D4-225I-B, D4-225I-C, D4-225I-D, D4-260A-A, D4-260A-B, D4-260A-C, D4-260A-D, D4-260D-B, D4-260D-C, D4-260D-D, D4-260I-A, D4-260I-B, D4-260I-C, D4-260I-D, D4-300A-A, D4-300A-C, D4-300A-D, D4-300D-A, D4-300D-C, D4-300D-D, D4-300I-A, D4-300I-C, D4-300I-D, D4-180I-E, D4-225A-E, D4-225I-E, D4-260A-E, D4-260D-E, D4-260I-E, D4-300A-E, D4-300D-E, D4-300I-E

REF	PART NO.	QTY	DESCRIPTION	NOTES
1	3595022	1	Wiring harness	
2	874567	1	* Cover, 89-pole	EDC-unit
3	874568	1	* Cover, 36-pole	EDC-unit
4	3889166	1	* Wiring harness	
5	874960	1	* Insulator	
6	976256	1	* Housing	
7	970753	1	* Housing	
8	976256	1	* Housing	
9	874455	1	* Receptacle housing	3-pole
10	8159013	1	* Housing	
11	874211	1	* Tab housing	
12	874368	1	* Receptacle housing, pressure/temp	2-pole
13	3587172	1	* Relay socket	
14	3587173	1	* Relay box	
15	3587174	1	* Relay retainer	
16	969407	1	* 6 point socket screw	
17	992330	1	* Housing	
18	874456	1	* Receptacle housing	4-pole
19	973121	2	* Cable terminal	
20	1307048	1	* Housing	
21	881679	1	* Resistor, alternator	12V
	21694528	1	* Resistor, alternator	24V
22	940336	1	* Cable terminal	
	978969	1	* Cable terminal	
	978970	1	* Cable terminal	
23	874368	2	* Receptacle housing	2-pole
24	874957	1	* Housing	
25	874954	1	* Housing	
26	992329	1	* Housing	
27	3595025	1	Bracket	
28	969515	8	6 point socket screw, temperature	
29	963103	8	Lock nut	
30	969405	4	6 point socket screw, temperature	
31	952632	2	Clamp	
32	946440	3	Flange screw	
33	949997	2	Clamp	
34	952629	2	Clamp	
35	946501	4	Flange screw	
36	21163201	1	Wiring harness	
37	976478	1	* Cable terminal, alternator	
38	842150	1	* Protective cap	
39	973121	1	* Cable terminal, alternator	
40	940336	1	* Cable terminal, starter motor	
41	940337	1	* Cable terminal, starter motor	
42	978966	1	* Cable terminal, starter motor	
43	948211	X	Cable tie	
44	3809875	1	Wiring harness	
45	874569	1	* Retainer	
46	874368	4	* Receptacle housing	
47	3809871	4	* Rubber cap	
48	952624	1	Clamp	
49	952627	1	Clamp	
50	952629	1	Clamp	
51	946501	3	Flange screw	
52	945081	1	Clamp	
53	873765	1	Relay	12V

D4-180I-B, D4-180I-C, D4-180I-D, D4-210I-A, D4-210I-B, D4-225I-B, D4-225I-C, D4-225I-D, D4-260I-A, D4-260I-B, D4-260I-C, D4-260I-D, D4-300I-A, D4-300I-C, D4-300I-D, D4-180I-E, D4-225I-E, D4-260I-E, D4-300I-E

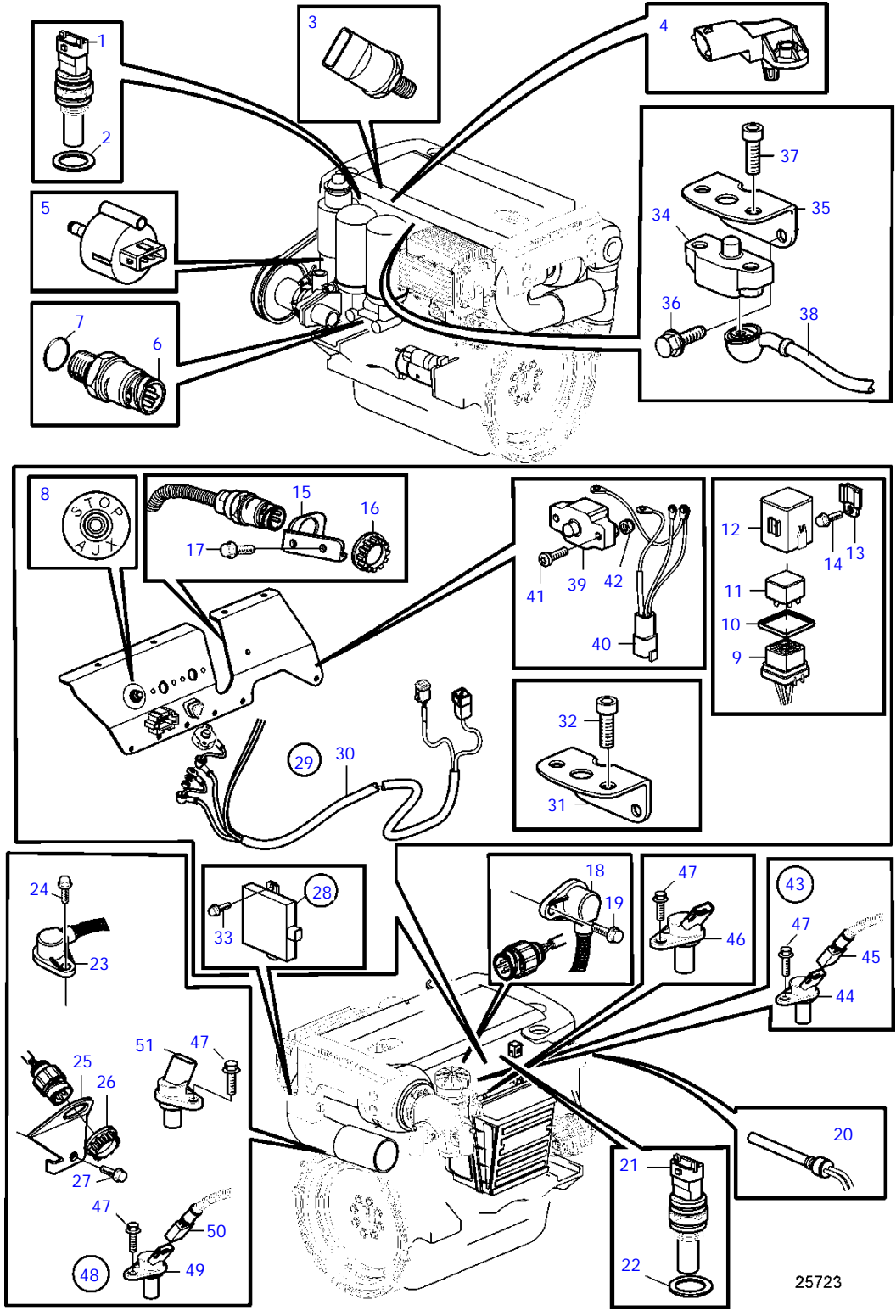


25756

D4-180I-B, D4-180I-C, D4-180I-D, D4-210I-A, D4-210I-B, D4-225I-B, D4-225I-C, D4-225I-D, D4-260I-A, D4-260I-B, D4-260I-C, D4-260I-D, D4-300I-A, D4-300I-C, D4-300I-D, D4-180I-E, D4-225I-E, D4-260I-E, D4-300I-E

REF	PART NO.	QTY	DESCRIPTION	NOTES
1	1624368	1	Sensor, fuel	
2	11996	1	Gasket	
3	3587927	1	Pressure sensor	Rail
4	21385453	1	Pressure sensor, charge pressure/temperature	
5	3808616	1	Sensor	Installation instruction included.
6	20886108	1	Pressure sensor, oil pressure difference	Replaced by 20898038
	20898038	1	Pressure sensor	Replaced by 21302639
	21302639	1	Pressure sensor	
7	968559	1	* O-ring	
8	828584	1	Toggle switch	
9	3583480	1	Bracket	SN-2004017198
10	3963413	1	Ring	SN-2004017198
11	968476	2	Flange screw	SN-2004017198
12	3944124	1	Sensor, camshaft/flywheel	SN-2004017198
13	963684	1	Hex. socket screw	SN-2004017198
14	3547710	1	Level guard	
15	1624368	1	Sensor	
16	11996	1	Gasket	
17	3944124	1	Sensor, camshaft/flywheel	SN-2004017198
18	963684	1	Hex. socket screw	SN-2004017198
19	3584044	1	Bracket	SN-2004017198
20	3963413	1	Ring	SN-2004017198
21	946934	1	Flange screw	SN-2004017198
22	21515318	1	Voltage converter	
23	21506656	1	* Cable kit	For DC/DC unit 12V, When replacing the cable kit must also the DC/DC converter be exchanged.
24		1	* * Wiring harness	Including in wire kit 21506656
25	21497240	1	* * Support	
26	3853620	2	* * Hexagon screw	
27	946501	3	Flange screw	
28	21138559	1	Sensor kit	For valve cover with SN2004017199- mounted on engine with SN-2004017198
29	20513343	1	* Sensor	
30	21138239	1	* Wiring harness	
31	20513343	1	Sensor	SN2004017199-
32	946544	2	Flange screw	
33	21109100	1	Sensor kit	For flywheel housing with SN2004017199- mounted on engine with SN-2004017198
34	20513343	1	* Sensor	
35	21138237	1	* Wiring harness	
36	20513343	1	Sensor	SN2004017199-

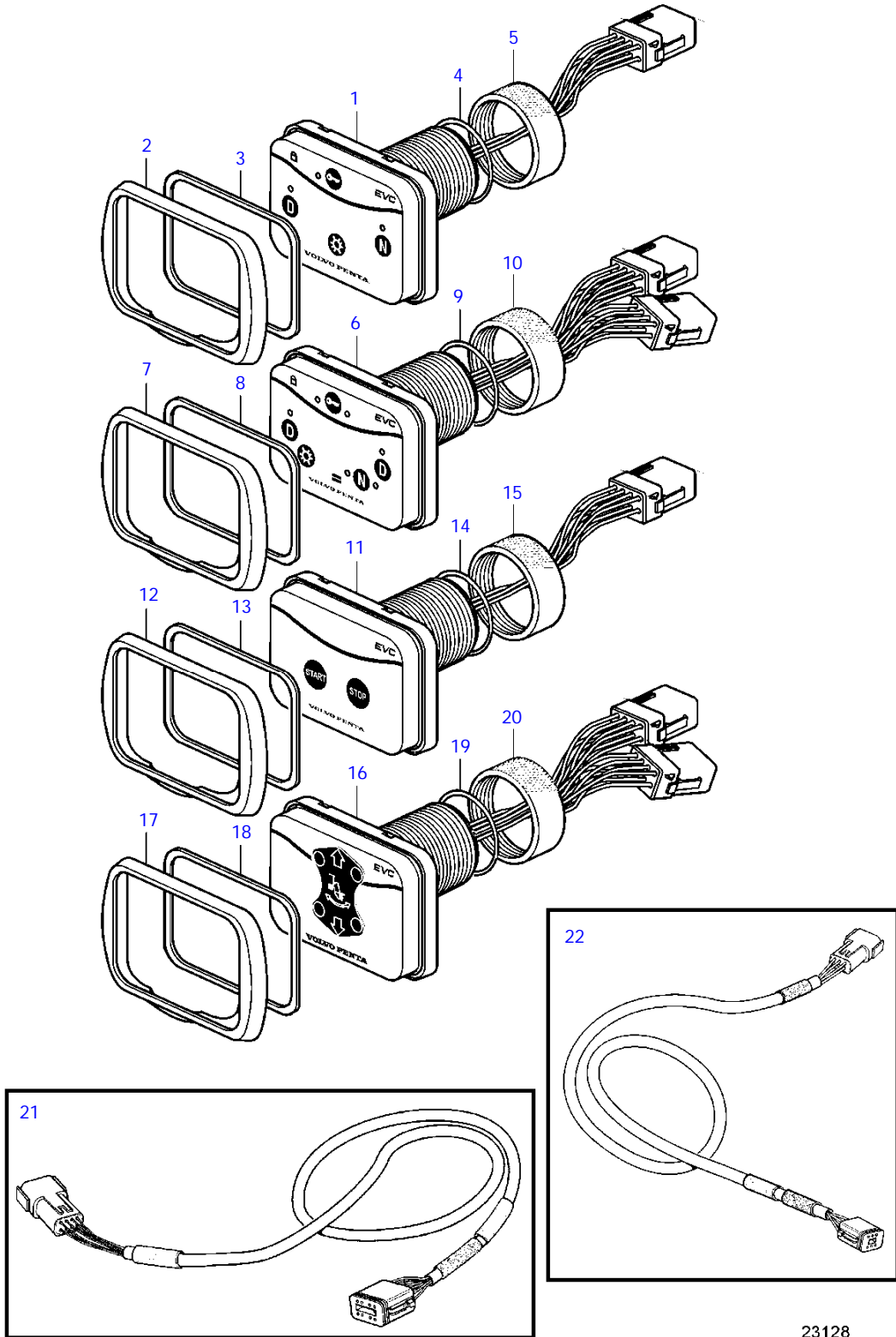
D4-210A-A, D4-210A-B, D4-225A-B, D4-225A-C, D4-225A-D, D4-260A-A, D4-260A-B, D4-260A-C, D4-260A-D, D4-260D-B, D4-260D-C, D4-260D-D, D4-300A-A, D4-300A-C, D4-300A-D, D4-300D-A, D4-300D-C, D4-300D-D, D4-225A-E, D4-260A-E, D4-260D-E, D4-300A-E, D4-300D-E



D4-210A-A, D4-210A-B, D4-225A-B, D4-225A-C, D4-225A-D, D4-260A-A, D4-260A-B, D4-260A-C, D4-260A-D, D4-260D-B, D4-260D-C, D4-260D-D, D4-300A-A, D4-300A-C, D4-300A-D, D4-300D-A, D4-300D-C, D4-300D-D, D4-225A-E, D4-260A-E, D4-260D-E, D4-300A-E, D4-300D-E

REF	PART NO.	QTY	DESCRIPTION	NOTES
1	1624368	1	Sensor, fuel	
2	11996	1	Gasket	
3	3587927	1	Pressure sensor	Rail
4	21385453	1	Pressure sensor, charge pressure/temperature	
5	3808616	1	Sensor	Installation instruction included.
6	20886108	1	Pressure sensor, oil pressure difference	Replaced by 20898038
	20898038	1	Pressure sensor	Replaced by 21302639
	21302639	1	Pressure sensor	
7	968559	1	* O-ring	
8	828584	1	Toggle switch	
9	3587172	1	Relay socket	
10		1	Gasket	
11	873765	1	Relay	12V
	3171420	1	Relay	24V
12	3587173	1	Relay box	
13	3587174	1	Relay retainer	
14	948663	1	Flange screw	
15	3583480	1	Bracket	SN-2004017198
16	3963413	1	Ring	SN-2004017198
17	968476	2	Flange screw	SN-2004017198
18	3944124	1	Sensor, camshaft/flywheel	SN-2004017198
19	963684	1	Hex. socket screw	SN-2004017198
20	3547710	1	Level guard	
21	1624368	1	Sensor	
22	11996	1	Gasket	
23	3944124	1	Sensor, camshaft/flywheel	SN-2004017198
24	963684	1	Hex. socket screw	SN-2004017198
25	3584044	1	Bracket	SN-2004017198
26	3963413	1	Ring	SN-2004017198
27	946934	1	Flange screw	SN-2004017198
28	21515318	1	Voltage converter	
29	21506656	1	* Cable kit	For DC/DC unit 12V, When replacing the cable kit must also the DC/DC converter be exchanged.
30		1	* * Wiring harness	Including in wire kit 21506656
31	21497240	1	* * Support	
32	3853620	2	* * Hexagon screw	
33	946501	3	Flange screw	
34	856337	1	Automatic fuse	
35	3808612	1	Support	
36	967949	2	Flange screw	
37	3853620	2	Hexagon screw	
38	3885076	1	Cable	
39	874579	2	Automatic fuse	
40	881862	1	Cable	
41	969408	4	6 point socket screw	
42	963104	4	Lock nut	
43	21138559	1	Sensor kit	For valve cover with SN2004017199- mounted on engine with SN-2004017198
44	20513343	1	* Sensor	
45	21138239	1	* Wiring harness	
46	20513343	1	Sensor	
47	946544	2	Flange screw	
48	21109100	1	Sensor kit	For flywheel housing with SN2004017199- mounted on engine with SN-2004017198
49	20513343	1	* Sensor	
50	21138237	1	* Wiring harness	
51	20513343	1	Sensor	SN2004017199-

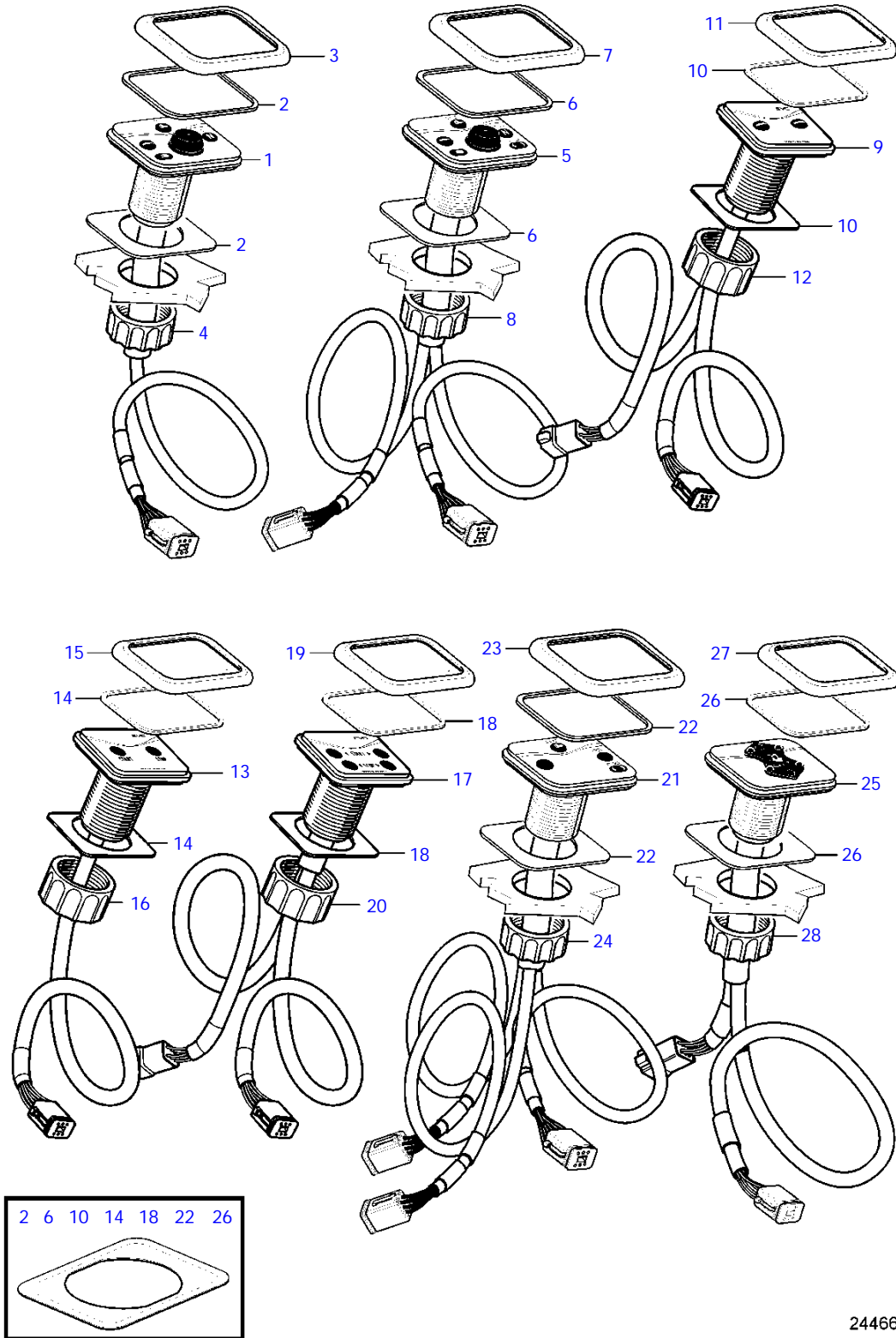
D4-210A-A, D4-210I-A, D4-260A-A, D4-260A-B, D4-260I-A



D4-210A-A, D4-210I-A, D4-260A-A, D4-260A-B, D4-260I-A

REF	PART NO.	QTY	DESCRIPTION	NOTES
1	874459	X	Control panel	Single installation
2	874149	1	* Frame	
3	874192	1	* Gasket	
4	874191	1	* O-ring	
5	874193	1	* Round nut	
6	874460	X	Control panel	
7	874149	1	* Frame	
8	874192	1	* Gasket	
9	874191	1	* O-ring	
10	874193	1	* Round nut	
11	874461	X	Control panel	
12	874149	1	* Frame	
13	874192	1	* Gasket	
14	874191	1	* O-ring	
15	874193	1	* Round nut	
16	889744	X	Control panel	
17	874149	1	* Frame	
18	874192	1	* Gasket	
19	874191	1	* O-ring	
20	874193	1	* Round nut	
21	874677	1	Cable kit	EVC control panel cable, 8-pole for HCU., L=1.5m
22	874749	1	Cable kit	For start and stop panel 874837 for HCU., L=1.5m

D4-180I-B, D4-180I-C, D4-180I-D, D4-210A-A, D4-210A-B, D4-210I-A, D4-210I-B, D4-225A-B, D4-225A-C, D4-225A-D, D4-225I-B, D4-225I-C, D4-225I-D, D4-260A-A, D4-260A-B, D4-260A-C, D4-260A-D, D4-260D-B, D4-260D-C, D4-260D-D, D4-260I-A, D4-260I-B, D4-260I-C, D4-260I-D, D4-300A-A, D4-300A-C, D4-300A-D, D4-300D-A, D4-300D-C, D4-300D-D, D4-300I-A, D4-300I-C, D4-300I-D, D4-180I-E, D4-225A-E, D4-225I-E, D4-260A-E, D4-260D-E, D4-260I-E, D4-300A-E, D4-300D-E, D4-300I-E

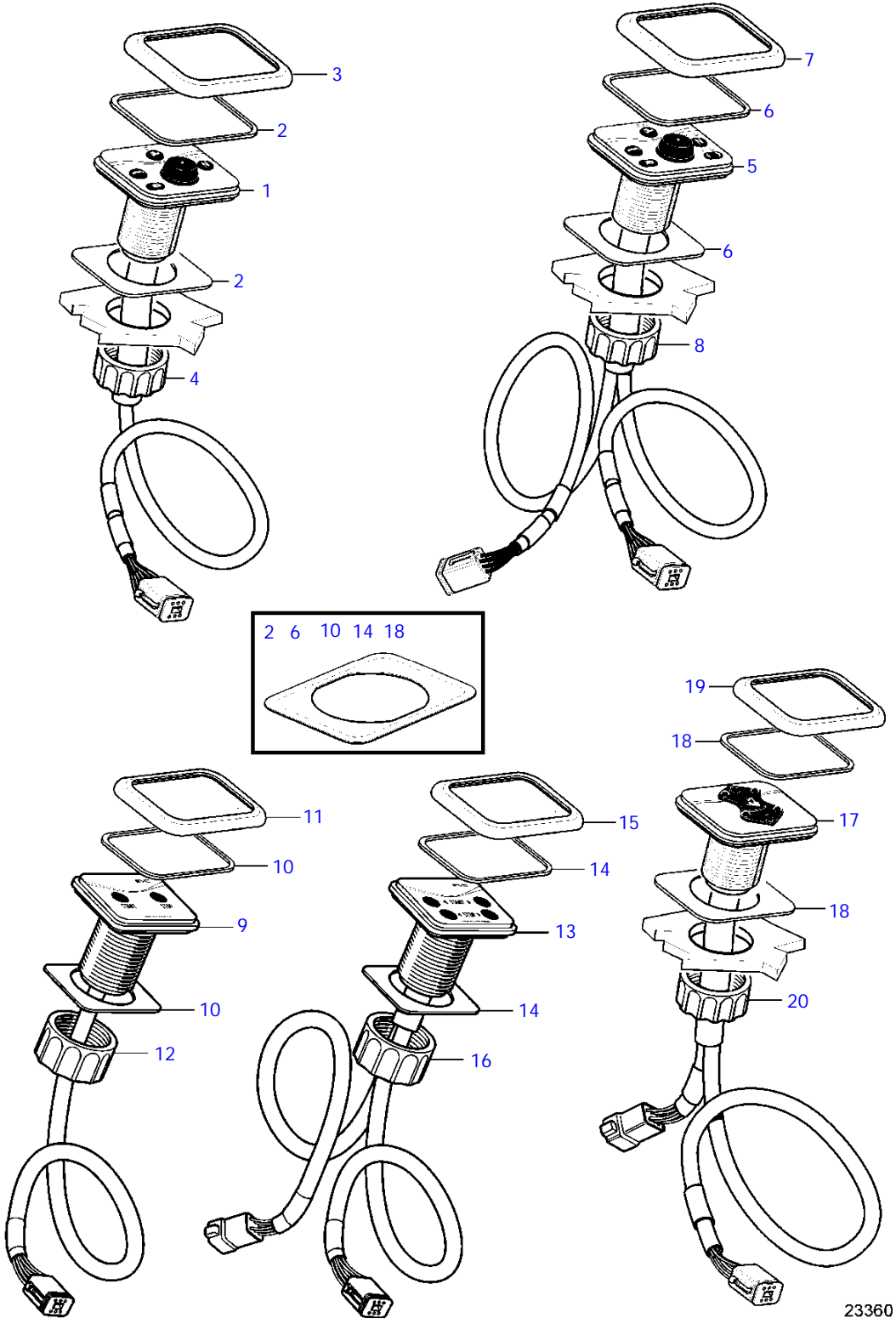


24466

D4-180I-B, D4-180I-C, D4-180I-D, D4-210A-A, D4-210A-B, D4-210I-A, D4-210I-B, D4-225A-B, D4-225A-C, D4-225A-D, D4-225I-B, D4-225I-C, D4-225I-D, D4-260A-A, D4-260A-B, D4-260A-C, D4-260A-D, D4-260D-B, D4-260D-C, D4-260D-D, D4-260I-A, D4-260I-B, D4-260I-C, D4-260I-D, D4-300A-A, D4-300A-C, D4-300A-D, D4-300D-A, D4-300D-C, D4-300D-D, D4-300I-A, D4-300I-C, D4-300I-D, D4-180I-E, D4-225A-E, D4-225I-E, D4-260A-E, D4-260D-E, D4-260I-E, D4-300A-E, D4-300D-E, D4-300I-E

REF	PART NO.	QTY	DESCRIPTION	NOTES
1	21310162	1	Control panel	Single installation
2	3808135	1	* Gasket	Also for flushmounting.
3	3808131	1	* Frame	
4	3808134	1	* Nut	
5	21310164	1	Control panel	Twin installation
6	3808135	1	* Gasket	Also for flushmounting.
7	3808131	1	* Frame	
8	3808134	1	* Nut	
9	21144011	1	Control panel	Sportfish
10	3808135	1	* Gasket	Also for flushmounting.
11	3808131	1	* Frame	
12	3808134	1	* Nut	
13	40005641	1	Control panel, start/stop	Single installation, Dual station
14	3808135	1	* Gasket	Also for flushmounting.
15	3808131	1	* Frame	
16	3808134	1	* Nut	
17	40005642	1	Control panel, start/stop	Twin installation, Dual station
18	3808135	1	* Gasket	Also for flushmounting.
19	3808131	1	* Frame	
20	3808134	1	* Nut	
21	3594954	1	Kit, start/stop	Triple installation.
22	3808135	1	* Gasket	
23	3808131	1	* Frame	
24	3808134	1	* Nut	
25	40005634	1	Control panel	Power trim
26	3808135	1	* Gasket	Also for flushmounting.
27	3808131	1	* Frame	
28	3808134	1	* Nut	

D4-180I-B, D4-210A-A, D4-210A-B, D4-210I-B, D4-225A-B, D4-225I-B, D4-260A-A, D4-260A-B, D4-260D-B, D4-260I-A, D4-260I-B, D4-300A-A, D4-300D-A, D4-300I-A

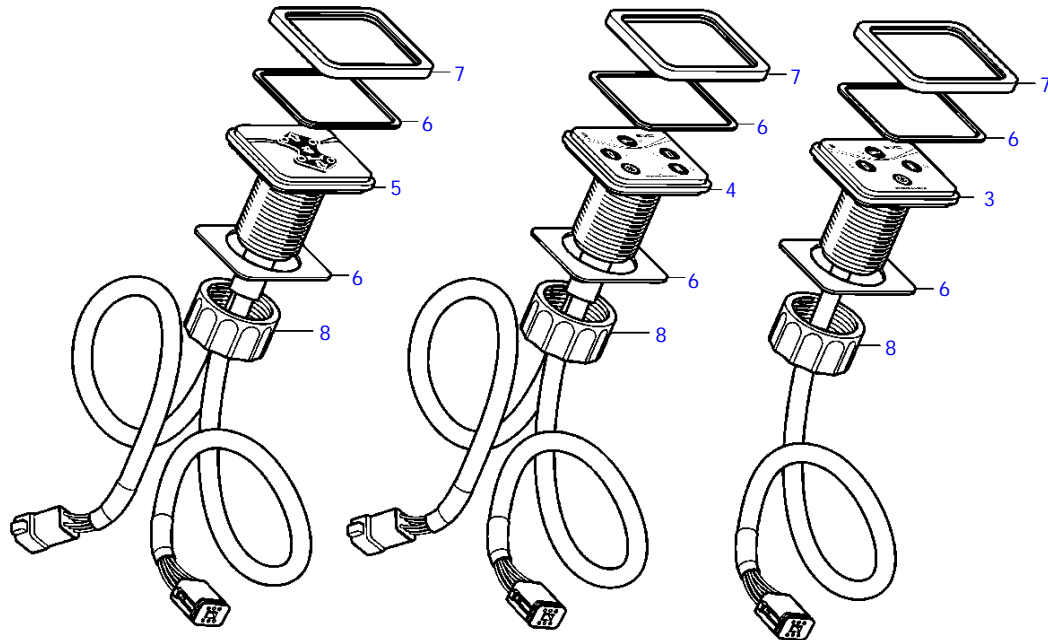
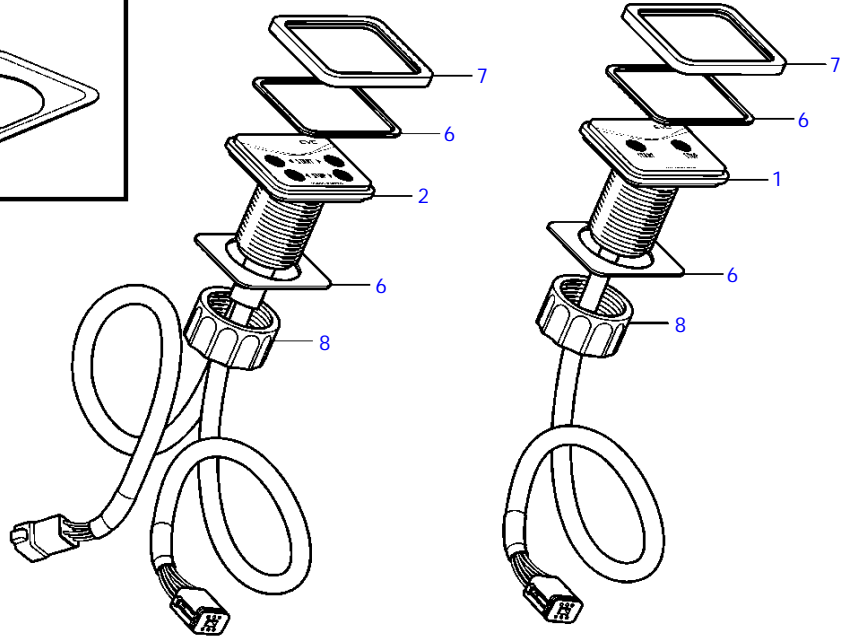
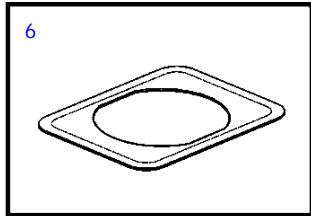


23360

D4-180I-B, D4-210A-A, D4-210A-B, D4-210I-B, D4-225A-B, D4-225I-B, D4-260A-A, D4-260A-B, D4-260D-B, D4-260I-A, D4-260I-B, D4-300A-A, D4-300D-A, D4-300I-A

REF	PART NO.	QTY	DESCRIPTION	NOTES
1	3883350	1	Control panel	Repl by 3594968, Single installation
	21310162	1	Control panel	Single installation
2	3808135	1	* Gasket	Also for flushmounting.
3	3808131	1	* Frame	
4	3808134	1	* Nut	
5	3883351	1	Control panel	Repl by 3594969, Twin installation
	21310164	1	Control panel	Twin installation
6	3808135	1	* Gasket	Also for flushmounting.
7	3808131	1	* Frame	
8	3808134	1	* Nut	
9	3807315	1	Control panel, start/stop	Repl by 40005641, Single installation, Dual station
	40005641	1	Control panel	Single installation, Dual station
10	3808135	1	* Gasket	Also for flushmounting.
11	3808131	1	* Frame	
12	3808134	1	* Nut	
13	3807316	1	Control panel, start/stop	Repl by 40005642, Twin installation, Dual station
	40005642	1	Control panel	Twin installation, Dual station
14	3808135	1	* Gasket	Also for flushmounting.
15	3808131	1	* Frame	
16	3808134	1	* Nut	
17	3807314	1	Control panel	Repl by 40005634, Power trim
	40005634	1	Control panel	Power trim
18	3808135	1	* Gasket	Also for flushmounting.
19	3808131	1	* Frame	
20	3808134	1	* Nut	

D4-180I-B, D4-210A-A, D4-210A-B, D4-210I-B, D4-225A-B, D4-225I-B, D4-260A-A, D4-260A-B, D4-260I-A, D4-260I-B

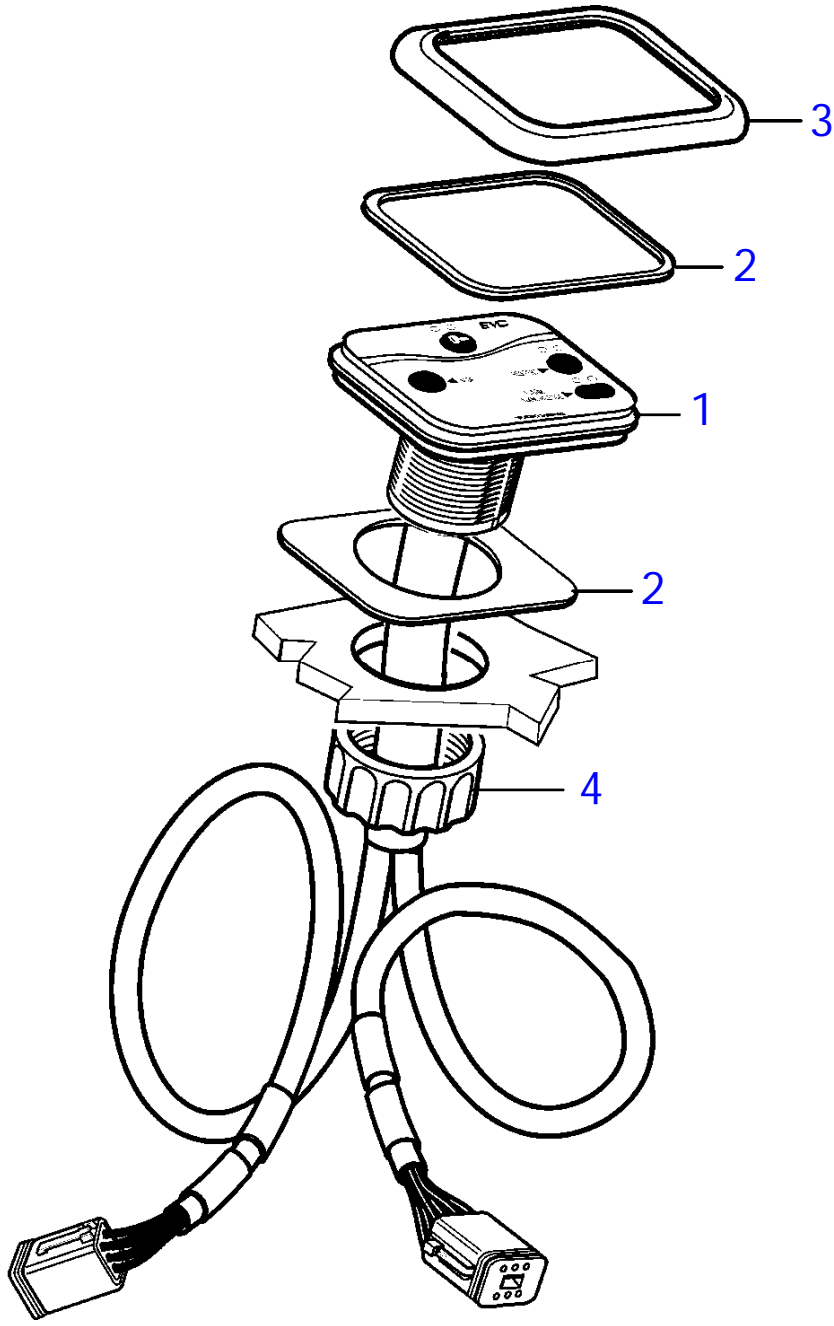


20837

D4-180I-B, D4-210A-A, D4-210A-B, D4-210I-B, D4-225A-B, D4-225I-B, D4-260A-A, D4-260A-B, D4-260I-A, D4-260I-B

REF	PART NO.	QTY	DESCRIPTION	NOTES
1	40005641	1	Control panel	Single installation, (3807315)
2	40005642	1	Control panel	Twin installation, (3807316)
3	21123925	1	Control panel	Single installation, (3807312)
4	21123928	1	Control panel	Twin installation, (3807313)
5	40005634	1	Control panel	Power trim, (3807314)
6	3808135	1	* Gasket	Also for flushmounting.
7	3808131	1	* Frame	
8	3808134	1	* Nut	

D4-260D-B, D4-260D-C, D4-260D-D, D4-300D-A, D4-300D-C, D4-300D-D, D4-260D-E, D4-300D-E

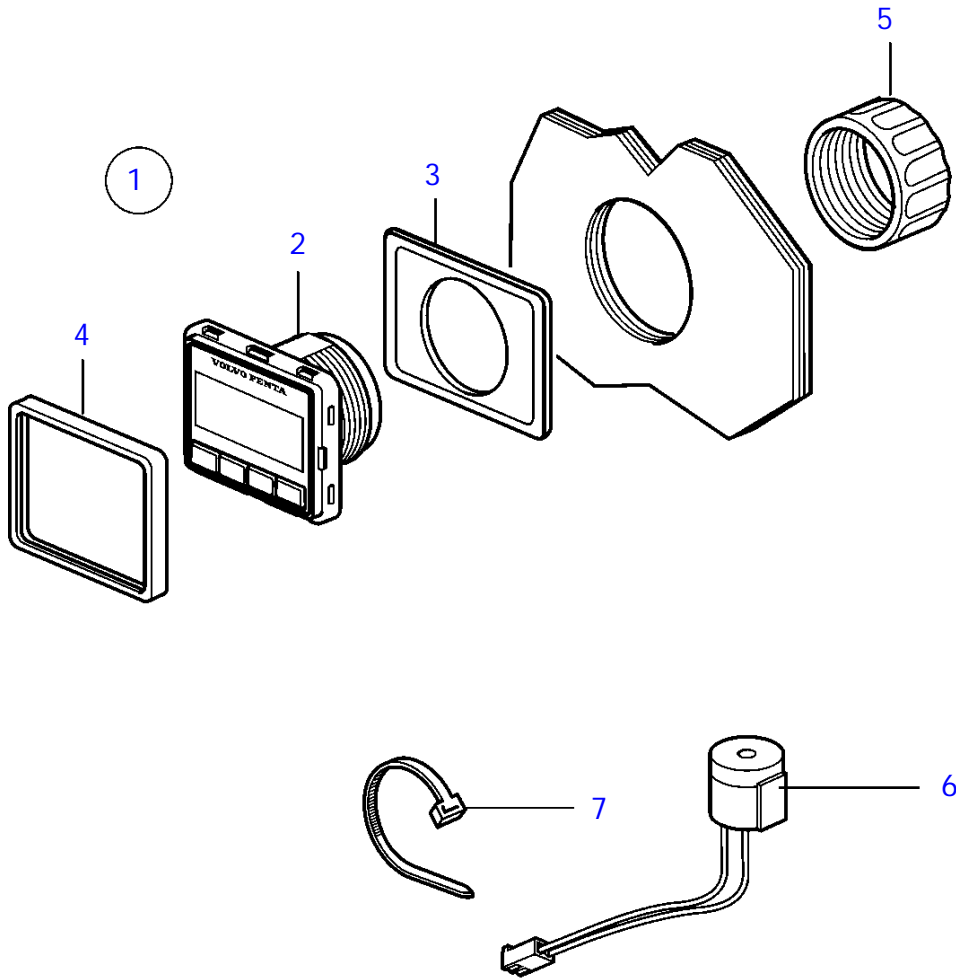


24464

D4-260D-B, D4-260D-C, D4-260D-D, D4-300D-A, D4-300D-C, D4-300D-D, D4-260D-E, D4-300D-E

REF	PART NO.	QTY	DESCRIPTION	NOTES
1	40005639	1	Control panel	Twin installation
2	3808135	1	* Gasket	Also for flushmounting.
3	3808131	1	* Frame	
4	3808134	1	* Nut	

D4-180I-E, D4-225A-E, D4-225I-E, D4-260A-E, D4-260D-E, D4-260I-E, D4-300A-E, D4-300D-E, D4-300I-E

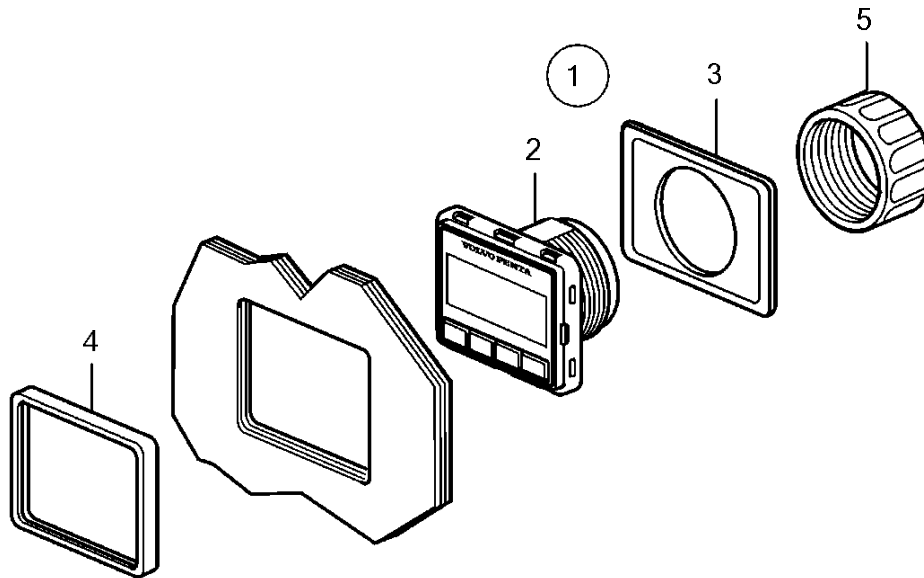


25281

D4-180I-E, D4-225A-E, D4-225I-E, D4-260A-E, D4-260D-E, D4-260I-E, D4-300A-E, D4-300D-E, D4-300I-E

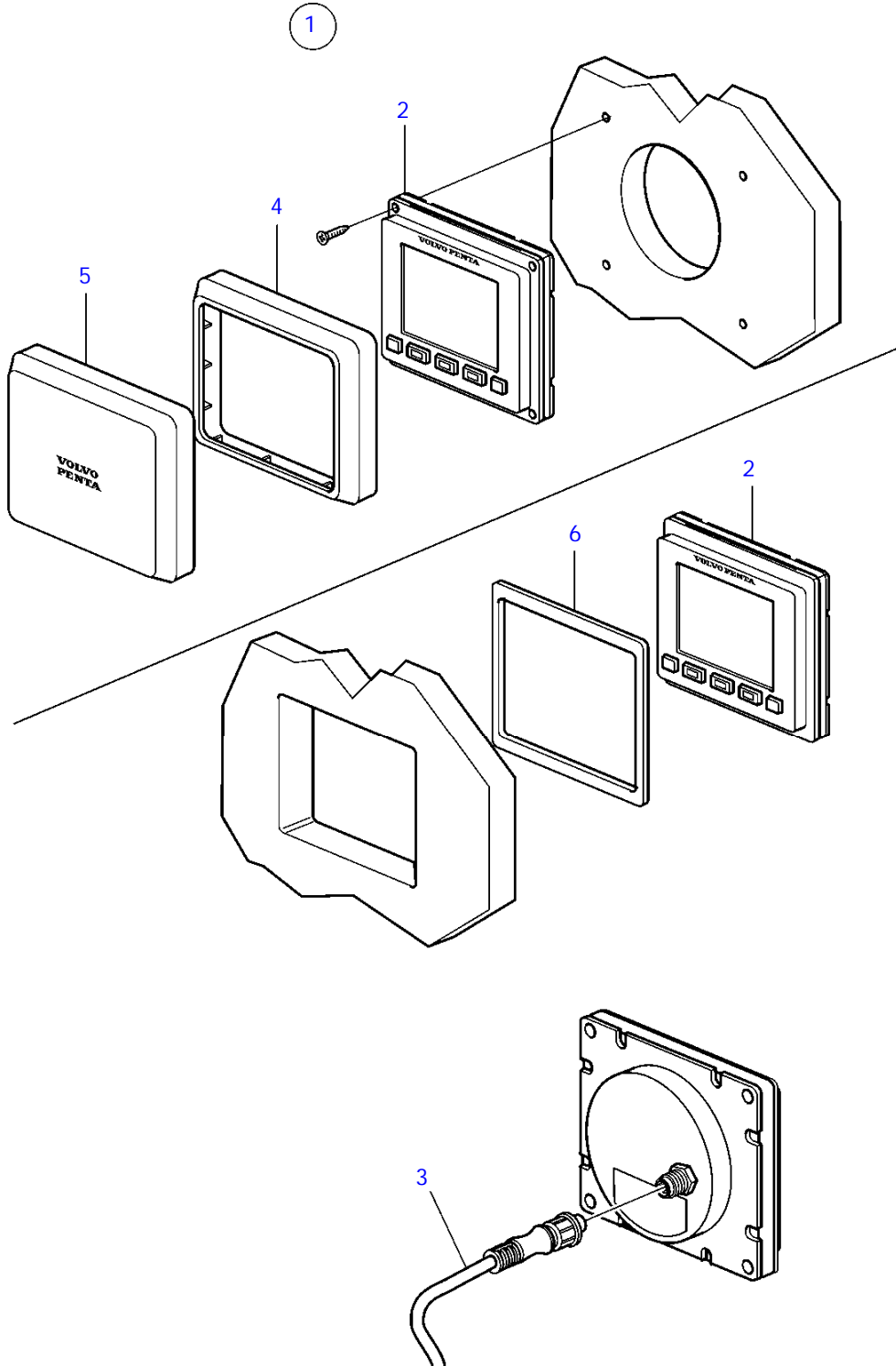
REF	PART NO.	QTY	DESCRIPTION	NOTES
1	21761722	1	Display	2,5" generic button panel
2		1	* Display	
3	3808135	1	* Gasket	
4	21467057	1	* Frame	
5	874450	1	* Attaching ring	
6	21358227	1	* Buzzer	12V
7	948211	X	Cable tie	For top mounting

D4-180I-E, D4-225A-E, D4-225I-E, D4-260A-E, D4-260D-E, D4-260I-E, D4-300A-E, D4-300D-E, D4-300I-E



26041

D4-180I-B, D4-180I-C, D4-210A-A, D4-210A-B, D4-210I-A, D4-210I-B, D4-225A-B, D4-225A-C, D4-225I-B, D4-225I-C,
 D4-260A-A, D4-260A-B, D4-260A-C, D4-260D-B, D4-260D-C, D4-260I-A, D4-260I-B, D4-260I-C, D4-300A-A, D4-300A-C,
 D4-300D-A, D4-300D-C, D4-300I-A, D4-300I-C, D4-180I-E, D4-225A-E, D4-225I-E, D4-260A-E, D4-260D-E, D4-260I-E,
 D4-300A-E, D4-300D-E, D4-300I-E

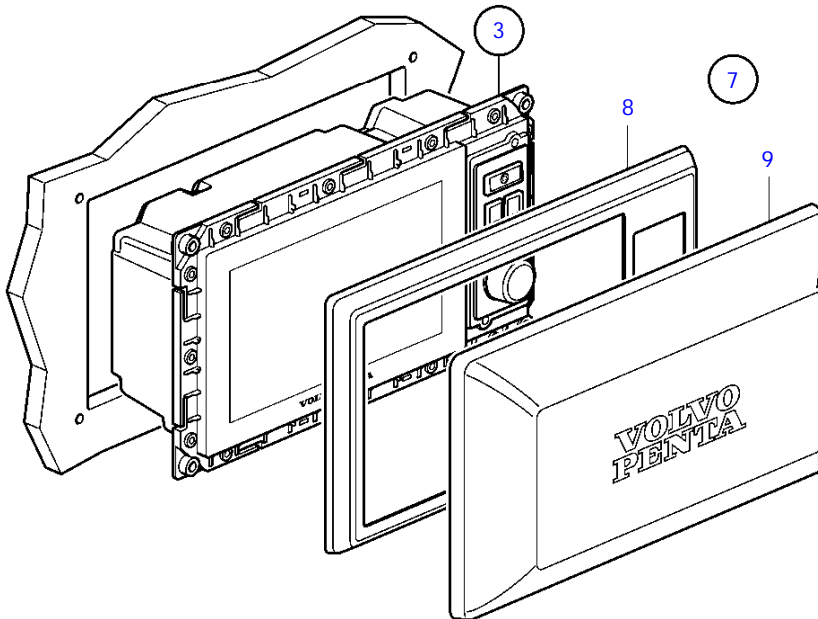
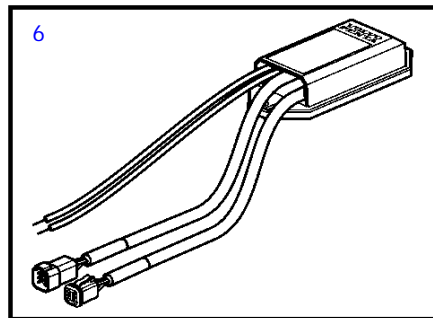
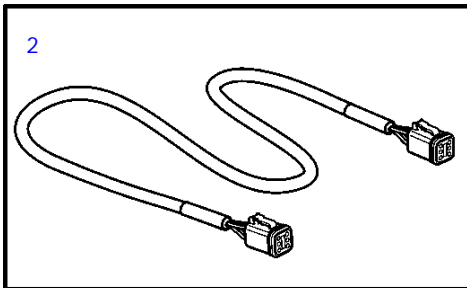
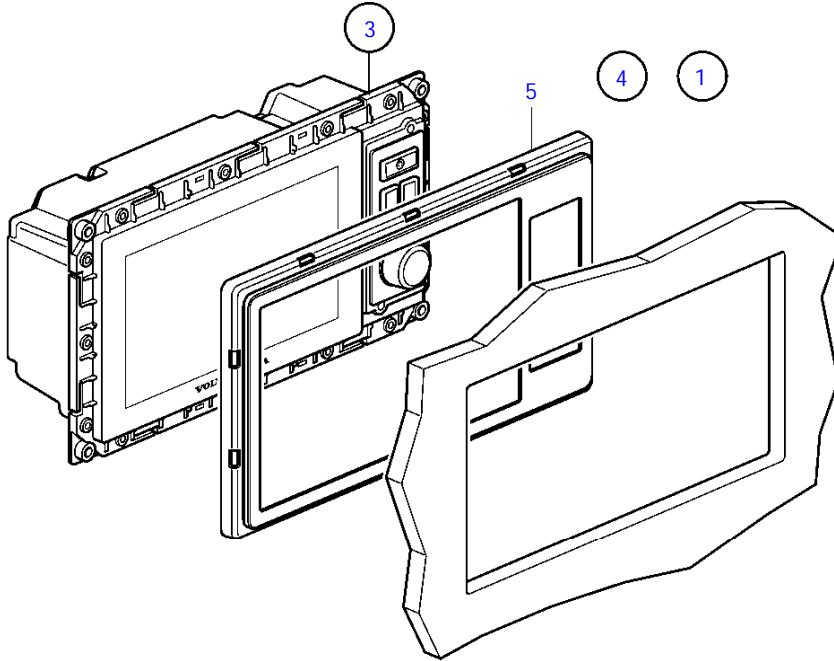


25864

D4-180I-B, D4-180I-C, D4-210A-A, D4-210A-B, D4-210I-A, D4-210I-B, D4-225A-B, D4-225A-C, D4-225I-B, D4-225I-C, D4-260A-A, D4-260A-B, D4-260A-C, D4-260D-B, D4-260D-C, D4-260I-A, D4-260I-B, D4-260I-C, D4-300A-A, D4-300A-C, D4-300D-A, D4-300D-C, D4-300I-A, D4-300I-C, D4-180I-E, D4-225A-E, D4-225I-E, D4-260A-E, D4-260D-E, D4-260I-E, D4-300A-E, D4-300D-E, D4-300I-E

REF	PART NO.	QTY	DESCRIPTION	NOTES
1	21584186	1	Display, kit	
2		1	* Display	
3	21640400	1	* Cable	
4	21611210	1	* Frame	For top mounting
5	21611208	1	* Cover	For top mounting
6	21693705	1	* Gasket	For flush mounting.

D4-180I-B, D4-180I-C, D4-210A-A, D4-210A-B, D4-210I-A, D4-210I-B, D4-225A-B, D4-225A-C, D4-225I-B, D4-225I-C, D4-260A-A, D4-260A-B, D4-260A-C, D4-260D-B, D4-260D-C, D4-260I-A, D4-260I-B, D4-260I-C, D4-300A-A, D4-300A-C, D4-300D-A, D4-300D-C, D4-300I-A, D4-300I-C, D4-180I-E, D4-225A-E, D4-225I-E, D4-260A-E, D4-260D-E, D4-260I-E, D4-300A-E, D4-300D-E, D4-300I-E

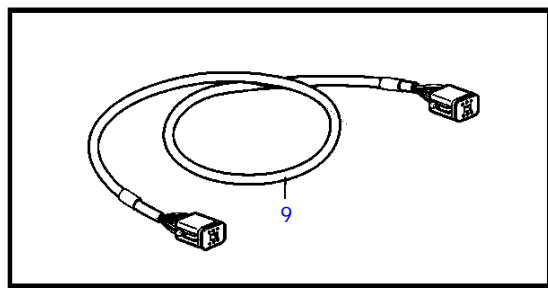
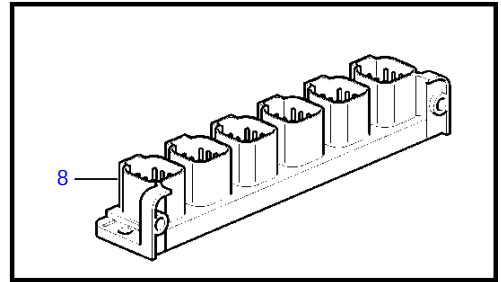
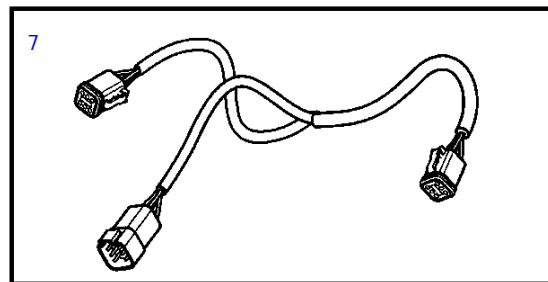
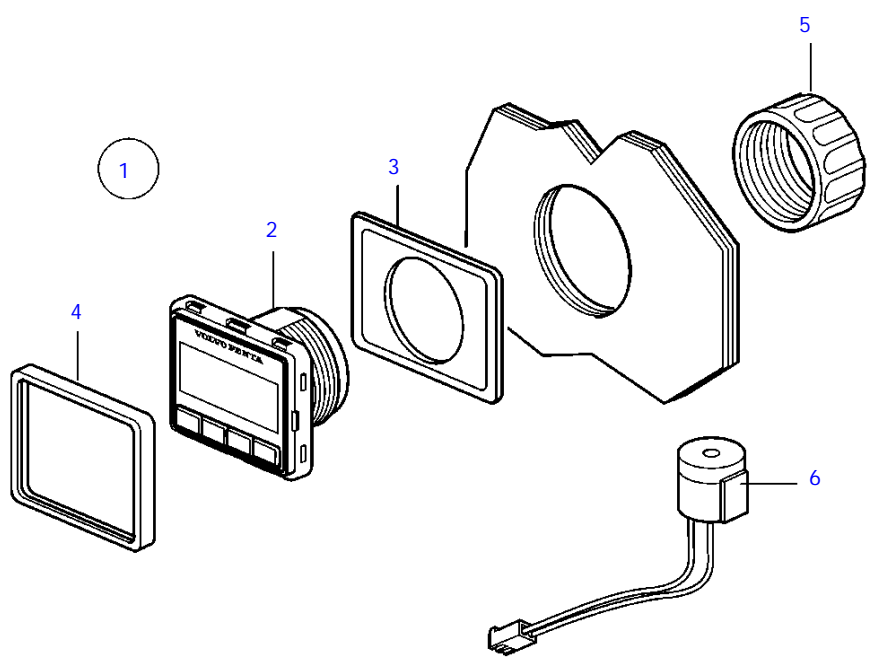


25293

D4-180I-B, D4-180I-C, D4-210A-A, D4-210A-B, D4-210I-A, D4-210I-B, D4-225A-B, D4-225A-C, D4-225I-B, D4-225I-C, D4-260A-A, D4-260A-B, D4-260A-C, D4-260D-B, D4-260D-C, D4-260I-A, D4-260I-B, D4-260I-C, D4-300A-A, D4-300A-C, D4-300D-A, D4-300D-C, D4-300I-A, D4-300I-C, D4-180I-E, D4-225A-E, D4-225I-E, D4-260A-E, D4-260D-E, D4-260I-E, D4-300A-E, D4-300D-E, D4-300I-E

REF	PART NO.	QTY	DESCRIPTION	NOTES
1	21501717	1	Display	For flush mounting., replaced by next part number
	21685202		Display	For flush mounting.
2	21514712	1	* Cable	
3		1	* Kit	
		1	* * Display	
4		1	* Display	For flush mounting.
5		1	* * Frame	
6	21379779	1	Network adapter	12V
7	21330289	1	Kit	For top mounting
8	(21143284)	1	* Frame	Obsolete part
9	21144292	1	* Cover	

D4-180I-E, D4-225A-E, D4-225I-E, D4-260A-E, D4-260D-E, D4-260I-E, D4-300A-E, D4-300D-E, D4-300I-E



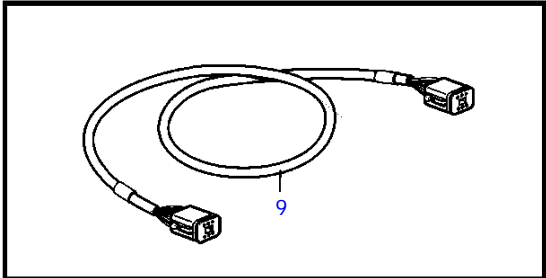
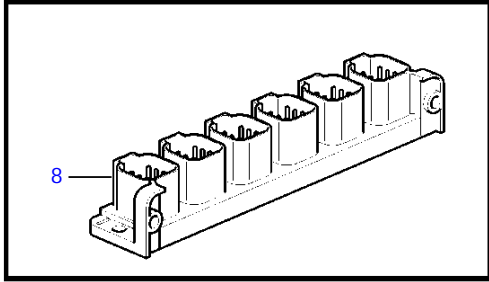
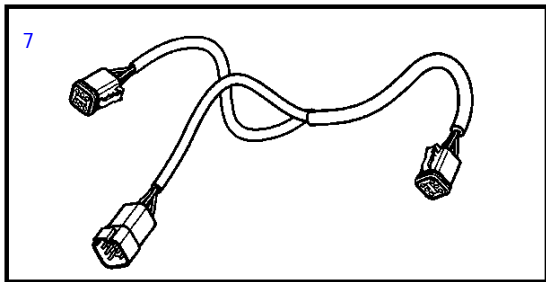
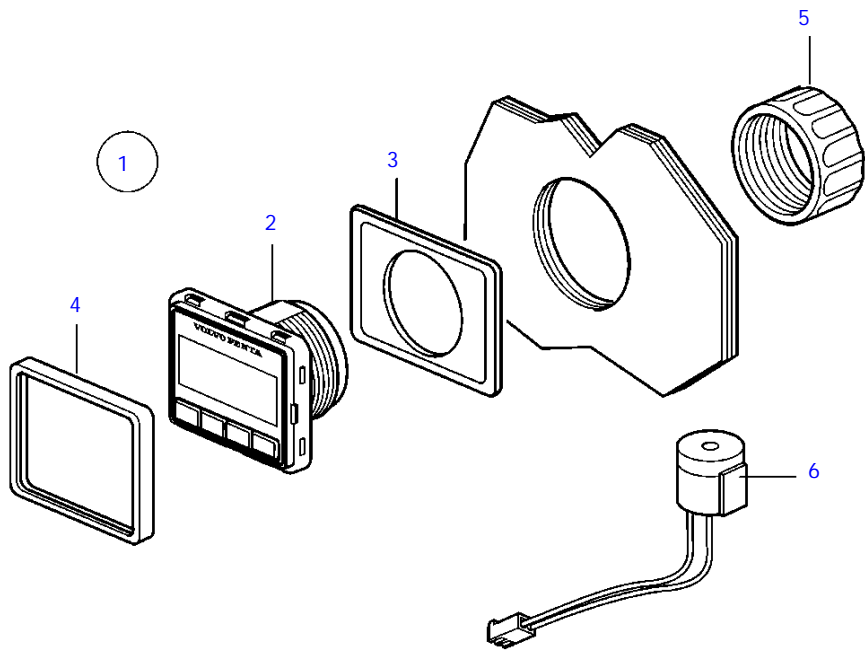
25294



D4-180I-E, D4-225A-E, D4-225I-E, D4-260A-E, D4-260D-E, D4-260I-E, D4-300A-E, D4-300D-E, D4-300I-E

REF	PART NO.	QTY	DESCRIPTION	NOTES
1	21761722	1	Display	Flexidisplay button panel
2		1	* Display	
3	3808135	1	* Gasket	
4	21467057	1	* Frame	
5	874450	1	* Attaching ring	
6	21358227	1	* Buzzer	12V
7	3588972	1	Cable kit	
8	21469055	1	Connection block	
9	3886666	3	Cable	

D4-180I-E, D4-225A-E, D4-225I-E, D4-260A-E, D4-260D-E, D4-260I-E, D4-300A-E, D4-300D-E, D4-300I-E

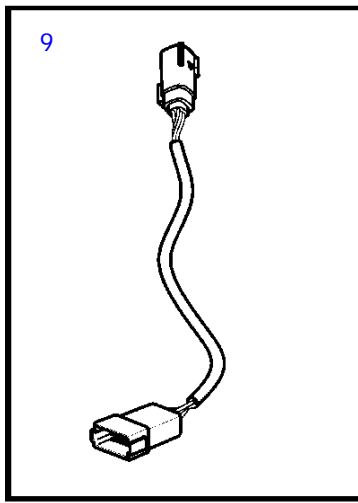
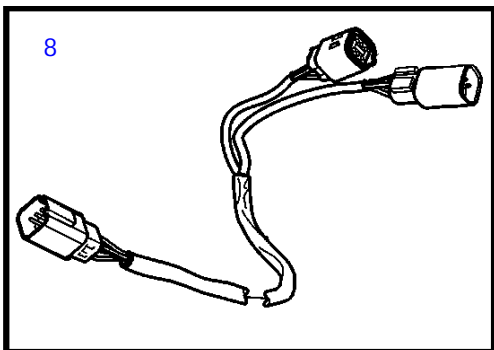
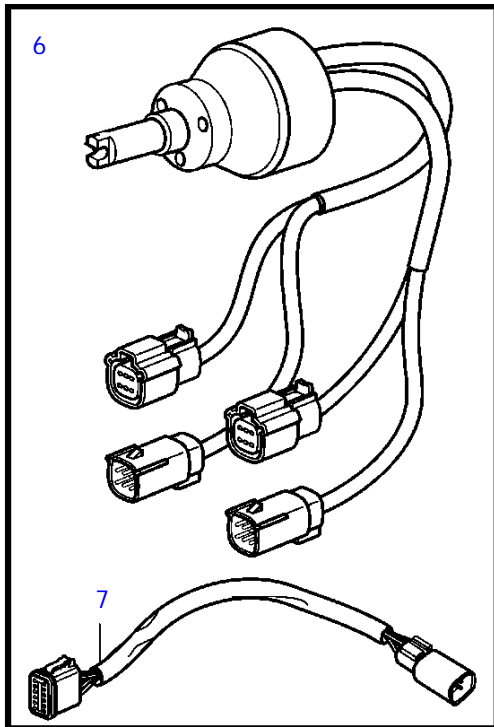
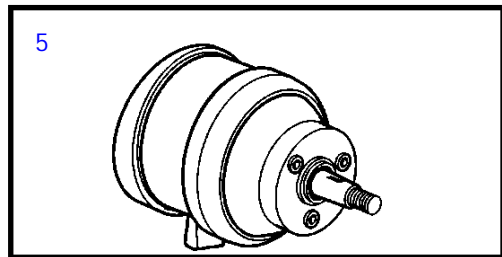
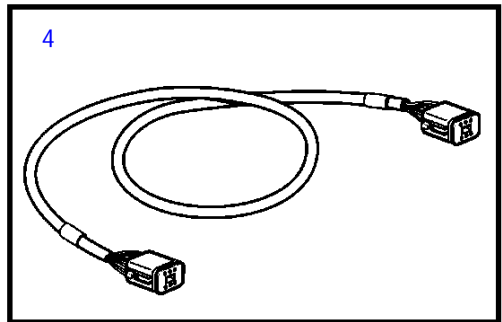
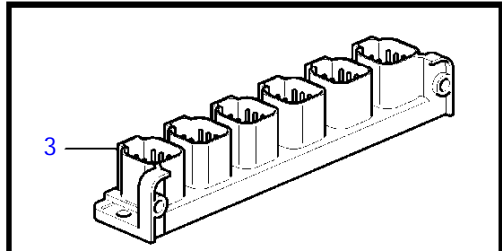
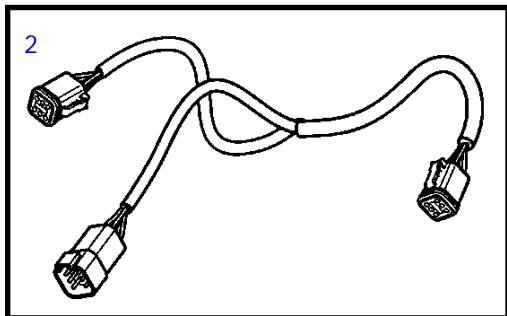
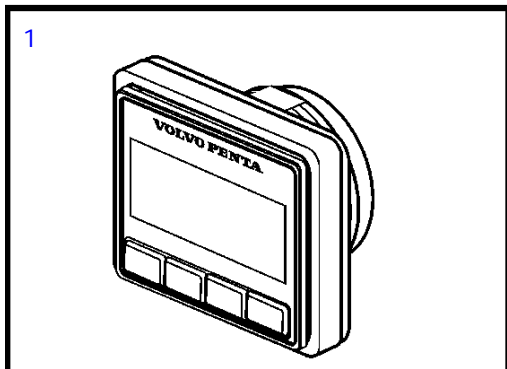


25294

D4-180I-E, D4-225A-E, D4-225I-E, D4-260A-E, D4-260D-E, D4-260I-E, D4-300A-E, D4-300D-E, D4-300I-E

REF	PART NO.	QTY	DESCRIPTION	NOTES
1	21761722	1	Display	Flexidisplay button panel
2		1	* Display	
3	3808135	1	* Gasket	
4	21467057	1	* Frame	
5	874450	1	* Attaching ring	
6	21358227	1	* Buzzer	12V
7	3588972	2	Cable kit	
8	21469055	1	Connection block	
9	3886666	6	Cable	

D4-180I-E, D4-225A-E, D4-225I-E, D4-260A-E, D4-260D-E, D4-260I-E, D4-300A-E, D4-300D-E, D4-300I-E

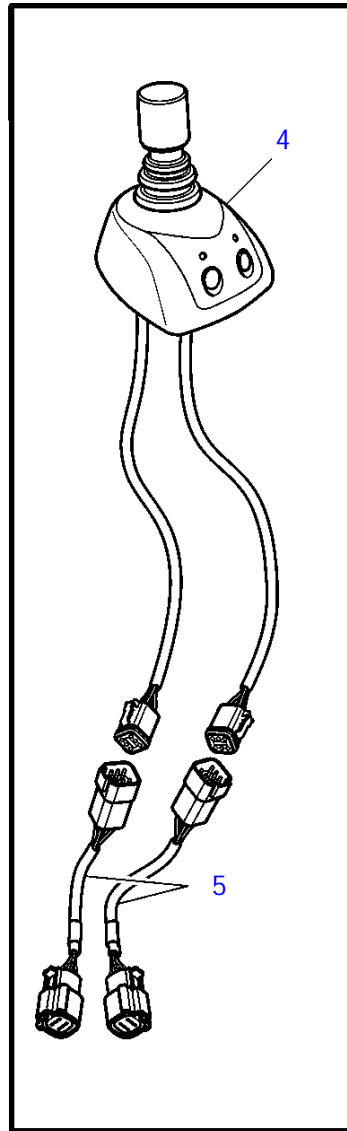
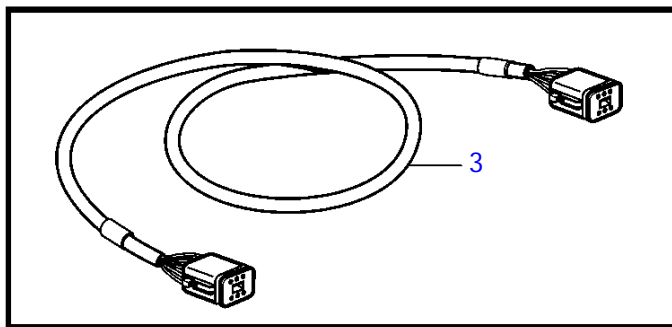
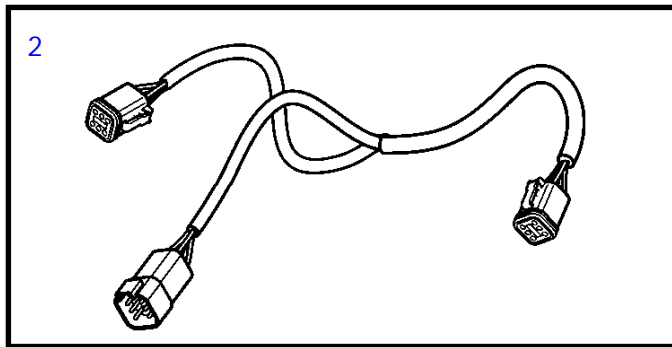
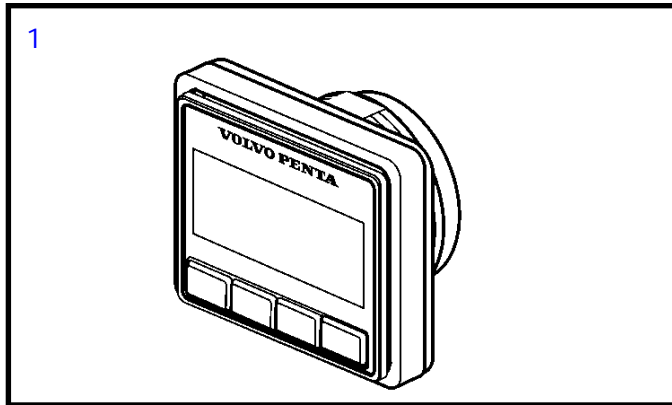


25301

D4-180I-E, D4-225A-E, D4-225I-E, D4-260A-E, D4-260D-E, D4-260I-E, D4-300A-E, D4-300D-E, D4-300I-E

REF	PART NO.	QTY	DESCRIPTION	NOTES
1	21761722	1	Display	Flexidisplay button panel
2	3588972	3	Cable kit	
3	21469055	2	Connection block	
4	3886666	7	Cable	
5	3841280	1	Steering wheel adjus	
6	21469560	1	Steering wheel hub	
7	21421942	1	Cable	Alternative for EVC-C3
8	21421941	2	Cable	For EVC system and hub 21469560.
9	21287072	1	Wiring harness	

D4-225A-E, D4-260A-E, D4-300A-E

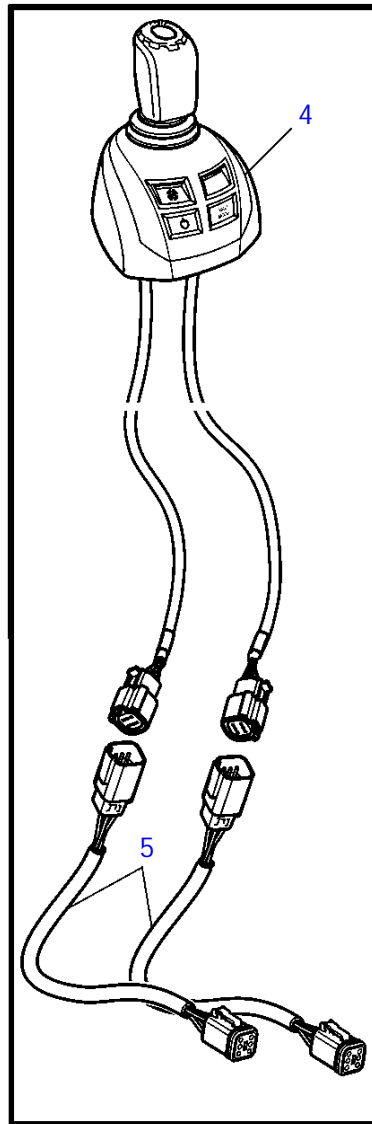
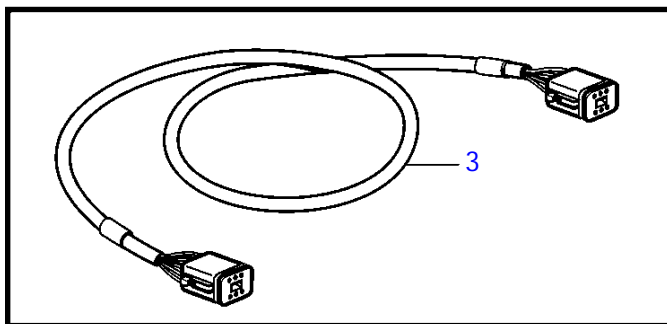
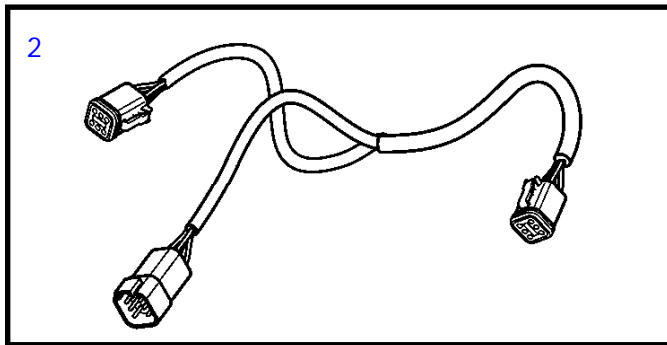
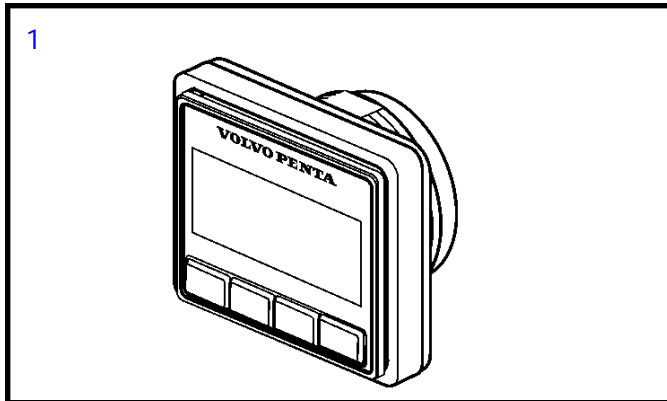


25308

D4-225A-E, D4-260A-E, D4-300A-E

REF	PART NO.	QTY	DESCRIPTION	NOTES
1	21761722	1	Display	Flexidisplay button panel
2	3588972	2	Cable kit	
3	3886666	1	Cable	
4	21476548	1	Kit	
5	21421940	2	* Cable	

D4-260D-E, D4-300D-E

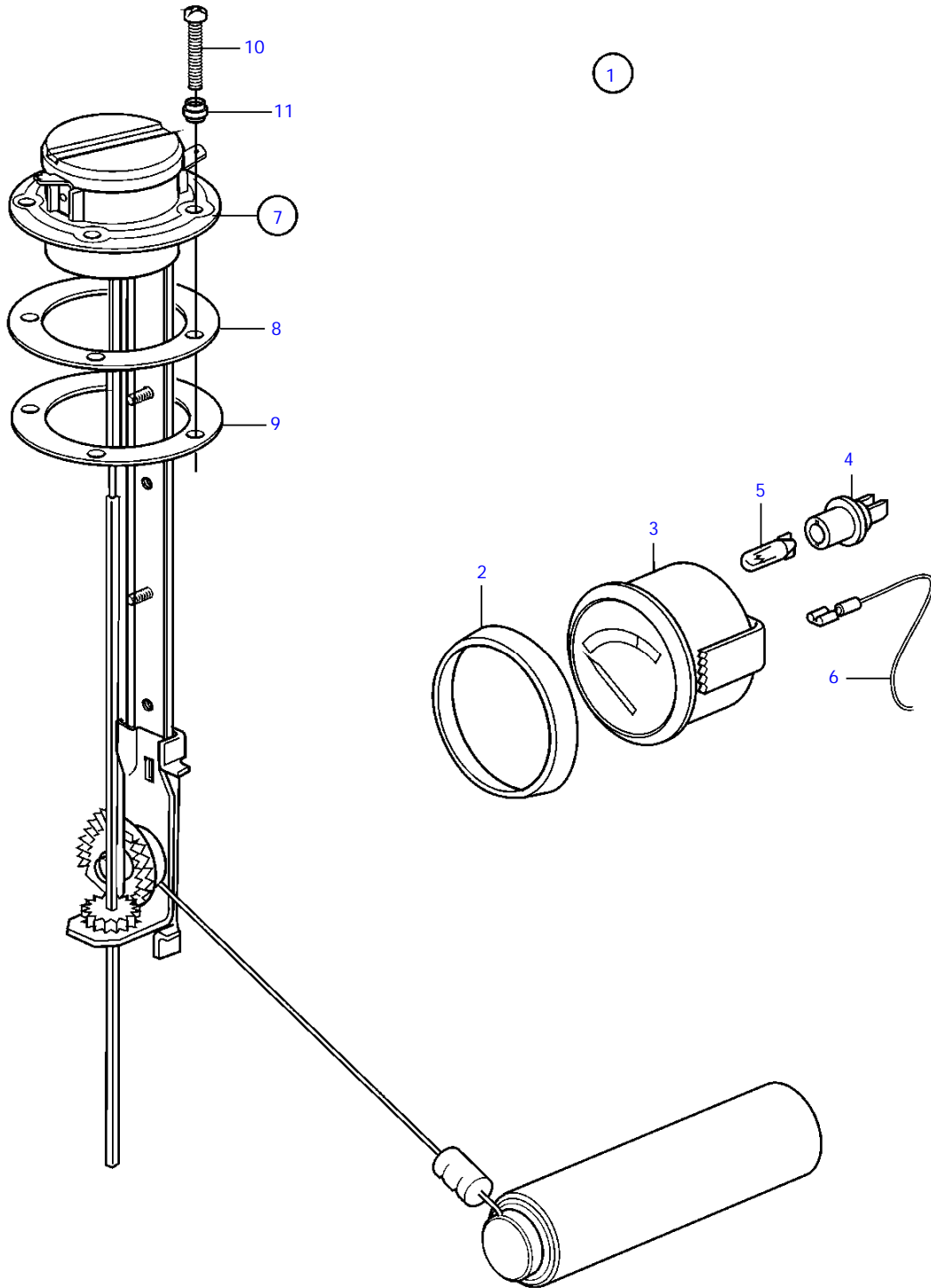


25309

D4-260D-E, D4-300D-E

REF	PART NO.	QTY	DESCRIPTION
1	21761722	1	Display
2	3588972	2	Cable kit
3	3886666	1	Cable
4	21466165	1	Kit
5	21421926	2	* Cable

D4-180I-B, D4-180I-C, D4-180I-D, D4-210A-A, D4-210A-B, D4-210I-A, D4-210I-B, D4-225A-B, D4-225A-C, D4-225A-D, D4-225I-B, D4-225I-C, D4-225I-D, D4-260A-A, D4-260A-B, D4-260A-C, D4-260A-D, D4-260D-B, D4-260D-C, D4-260D-D, D4-260I-A, D4-260I-B, D4-260I-C, D4-260I-D, D4-300A-A, D4-300A-C, D4-300A-D, D4-300D-A, D4-300D-C, D4-300D-D, D4-300I-A, D4-300I-C, D4-300I-D, D4-180I-E, D4-225A-E, D4-225I-E, D4-260A-E, D4-260D-E, D4-260I-E, D4-300A-E, D4-300D-E, D4-300I-E

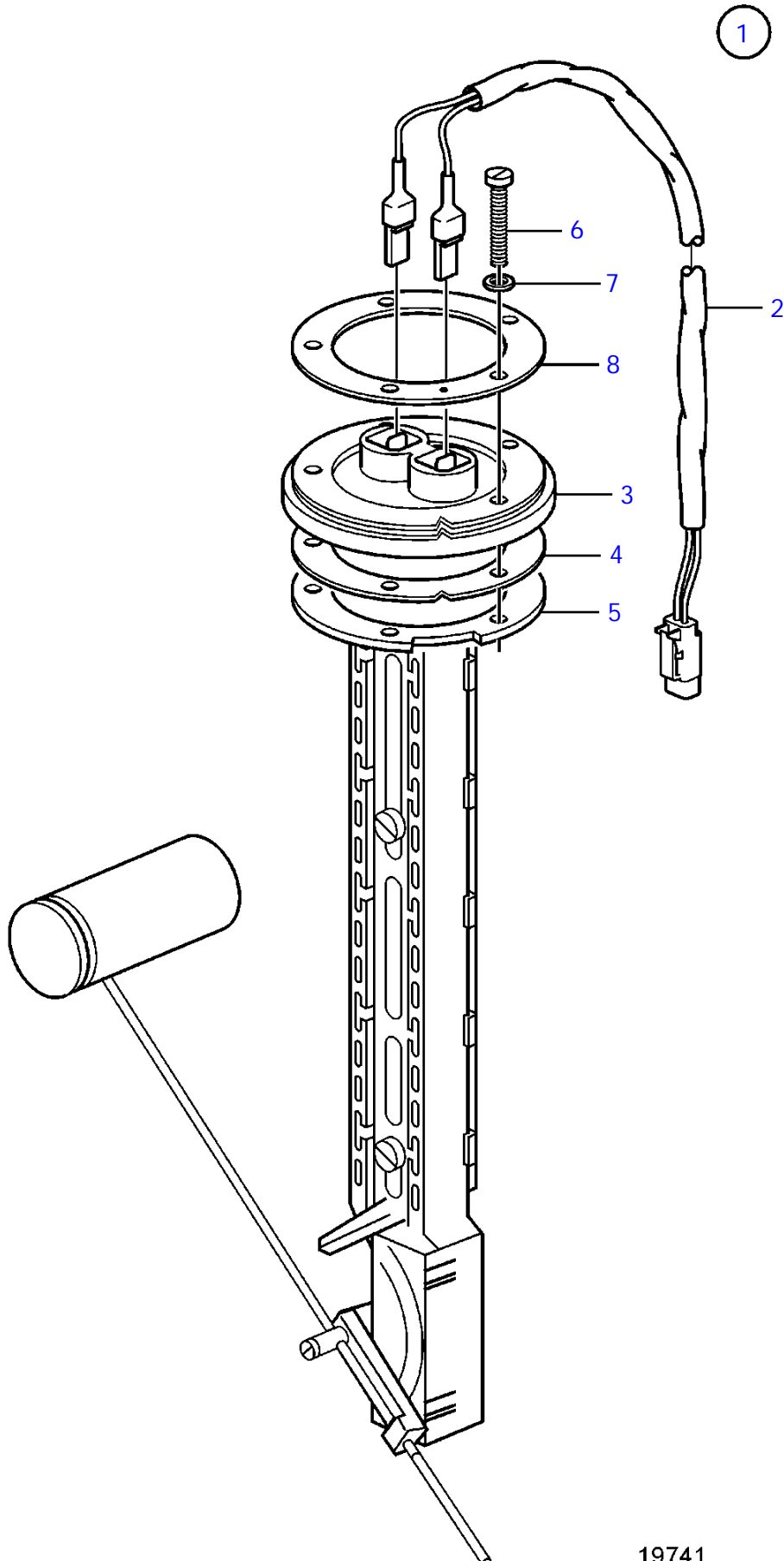


18583

D4-180I-B, D4-180I-C, D4-180I-D, D4-210A-A, D4-210A-B, D4-210I-A, D4-210I-B, D4-225A-B, D4-225A-C, D4-225A-D, D4-225I-B, D4-225I-C, D4-225I-D, D4-260A-A, D4-260A-B, D4-260A-C, D4-260A-D, D4-260D-B, D4-260D-C, D4-260D-D, D4-260I-A, D4-260I-B, D4-260I-C, D4-260I-D, D4-300A-A, D4-300A-C, D4-300A-D, D4-300D-A, D4-300D-C, D4-300D-D, D4-300I-A, D4-300I-C, D4-300I-D, D4-180I-E, D4-225A-E, D4-225I-E, D4-260A-E, D4-260D-E, D4-260I-E, D4-300A-E, D4-300D-E, D4-300I-E

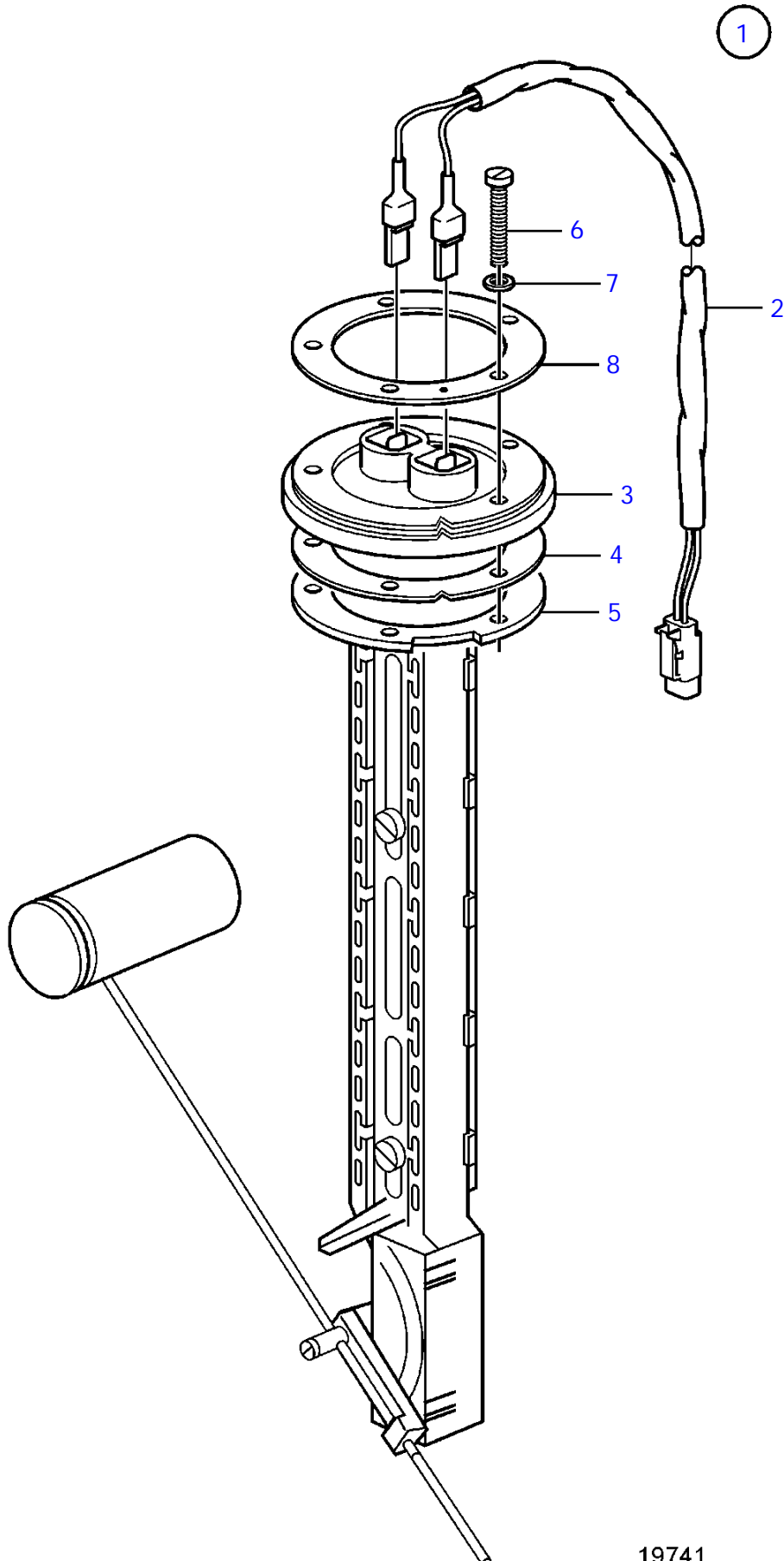
REF	PART NO.	QTY	DESCRIPTION	SEE SEC.	NOTES
1	873808	1	Fuel gauge		(858879)
2	858643	1	* Front ring		
3	863940	1	* Fuel gauge		
	873207	1	* * Brace kit		
		2	* * * Nut		not sold separately
		2	* * Spacer		not sold separately
4	863945	1	* * Lamp socket		Use white bulb 19923 and socket 808175 for earlier gauges.
5	863946	1	* * Bulb		Use white bulb 19923 and socket 808175 for earlier gauges., 12V, 1,2W red
6		X	* Wiring harness	1963	
7	873772	1	* Tank sensor		(837999)
8	89865	1	* * Gasket		
9	834480	1	* * Flange		
10	969407	4	* * 6 point socket screw		(956078)
	969409	1	* * 6 point socket screw		
11	834481	5	* * Gasket		

D4-180I-B, D4-180I-C, D4-180I-D, D4-210A-A, D4-210A-B, D4-210I-A, D4-210I-B, D4-225A-B, D4-225A-C, D4-225A-D, D4-225I-B, D4-225I-C, D4-225I-D, D4-260A-A, D4-260A-B, D4-260A-C, D4-260A-D, D4-260D-B, D4-260D-C, D4-260D-D, D4-260I-A, D4-260I-B, D4-260I-C, D4-260I-D, D4-300A-A, D4-300A-C, D4-300A-D, D4-300D-A, D4-300D-C, D4-300D-D, D4-300I-A, D4-300I-C, D4-300I-D, D4-180I-E, D4-225A-E, D4-225I-E, D4-260A-E, D4-260D-E, D4-260I-E, D4-300A-E, D4-300D-E, D4-300I-E



19741

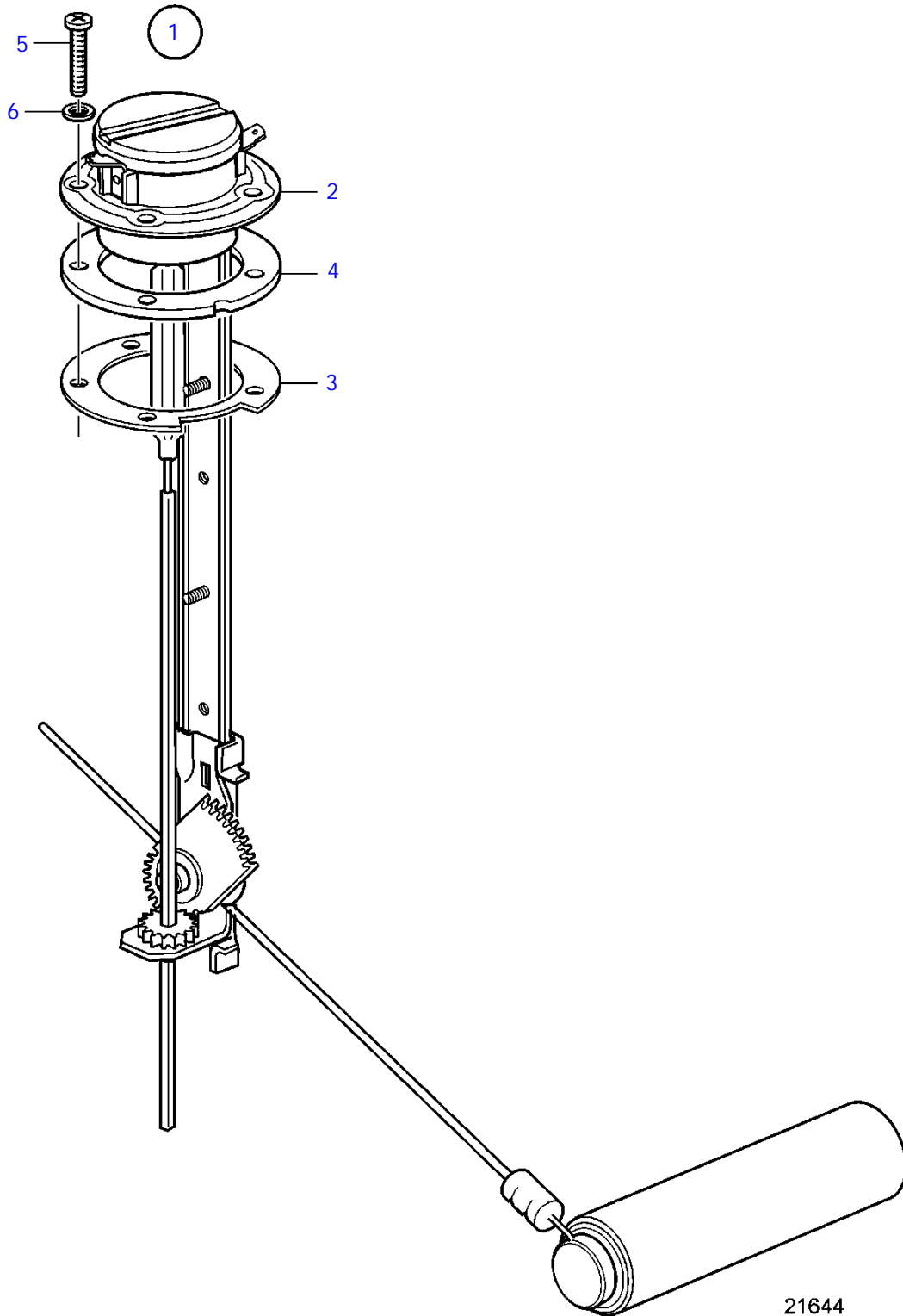
D4-180I-B, D4-180I-C, D4-180I-D, D4-210A-A, D4-210A-B, D4-210I-A, D4-210I-B, D4-225A-B, D4-225A-C, D4-225A-D, D4-225I-B, D4-225I-C, D4-225I-D, D4-260A-A, D4-260A-B, D4-260A-C, D4-260A-D, D4-260D-B, D4-260D-C, D4-260D-D, D4-260I-A, D4-260I-B, D4-260I-C, D4-260I-D, D4-300A-A, D4-300A-C, D4-300A-D, D4-300D-A, D4-300D-C, D4-300D-D, D4-300I-A, D4-300I-C, D4-300I-D, D4-180I-E, D4-225A-E, D4-225I-E, D4-260A-E, D4-260D-E, D4-260I-E, D4-300A-E, D4-300D-E, D4-300I-E



D4-180I-B, D4-180I-C, D4-180I-D, D4-210A-A, D4-210A-B, D4-210I-A, D4-210I-B, D4-225A-B, D4-225A-C, D4-225A-D, D4-225I-B, D4-225I-C, D4-225I-D, D4-260A-A, D4-260A-B, D4-260A-C, D4-260A-D, D4-260D-B, D4-260D-C, D4-260D-D, D4-260I-A, D4-260I-B, D4-260I-C, D4-260I-D, D4-300A-A, D4-300A-C, D4-300A-D, D4-300D-A, D4-300D-C, D4-300D-D, D4-300I-A, D4-300I-C, D4-300I-D, D4-180I-E, D4-225A-E, D4-225I-E, D4-260A-E, D4-260D-E, D4-260I-E, D4-300A-E, D4-300D-E, D4-300I-E

REF	PART NO.	QTY	DESCRIPTION	NOTES
1	3812291	1	Sensor kit, fuel level	3-180 Ohms
2	874807	1	* Cable kit	L=6.0m
3	873772	1	* Tank sensor	
4	89865	1	* * Gasket	
5	834480	1	* * Flange	
6	969408	4	* * 6 point socket screw	L=20mm
		1	* * Screw	L=30mm
7	834481	5	* * Gasket	
8		1	* * Flange	not sold separately

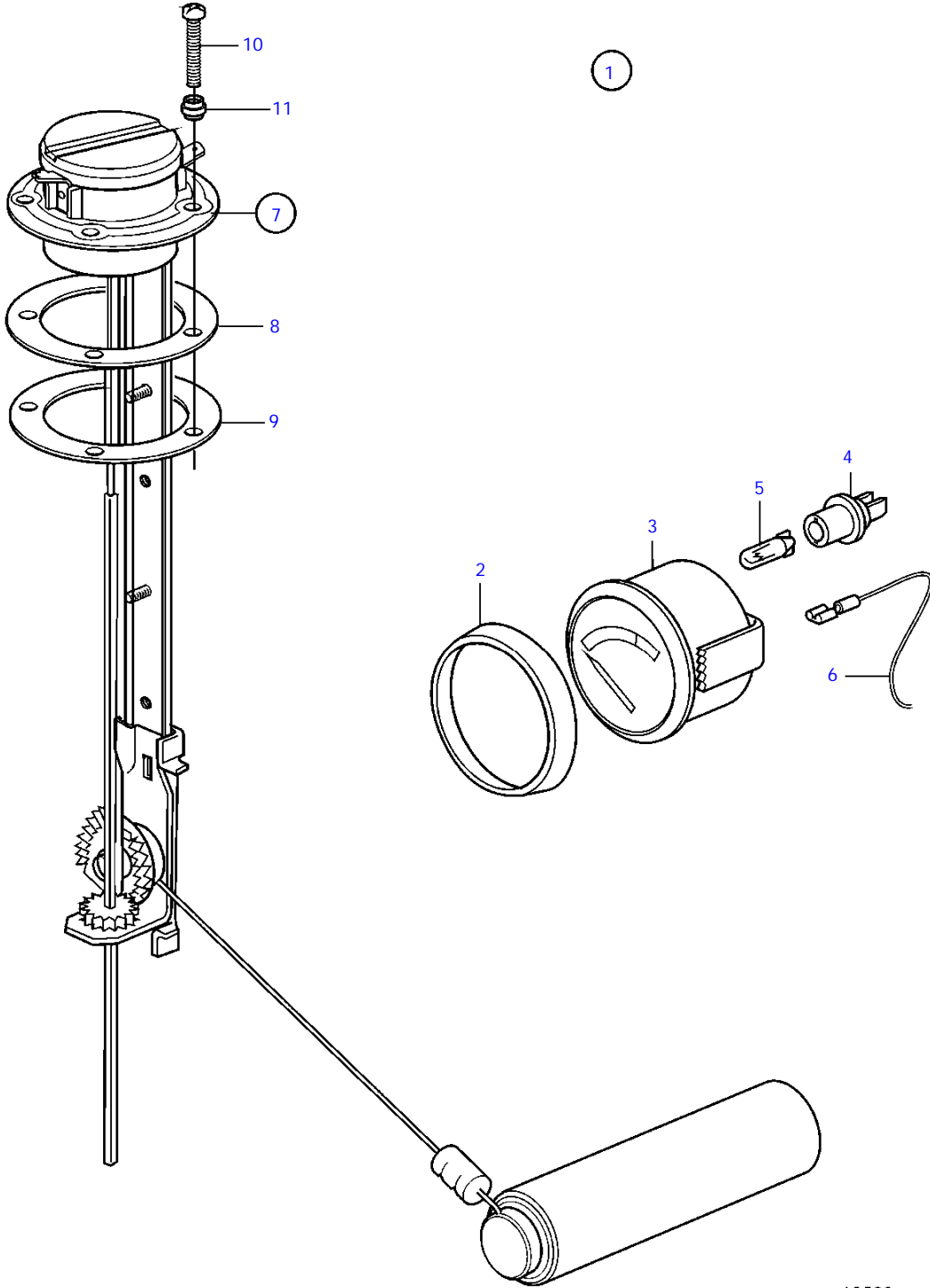
D4-180I-B, D4-180I-C, D4-180I-D, D4-210A-A, D4-210A-B, D4-210I-A, D4-210I-B, D4-225A-B, D4-225A-C, D4-225A-D, D4-225I-B, D4-225I-C, D4-225I-D, D4-260A-A, D4-260A-B, D4-260A-C, D4-260A-D, D4-260D-B, D4-260D-C, D4-260D-D, D4-260I-A, D4-260I-B, D4-260I-C, D4-260I-D, D4-300A-A, D4-300A-C, D4-300A-D, D4-300D-A, D4-300D-C, D4-300D-D, D4-300I-A, D4-300I-C, D4-300I-D, D4-180I-E, D4-225A-E, D4-225I-E, D4-260A-E, D4-260D-E, D4-260I-E, D4-300A-E, D4-300D-E, D4-300I-E



D4-180I-B, D4-180I-C, D4-180I-D, D4-210A-A, D4-210A-B, D4-210I-A, D4-210I-B, D4-225A-B, D4-225A-C, D4-225A-D, D4-225I-B, D4-225I-C, D4-225I-D, D4-260A-A, D4-260A-B, D4-260A-C, D4-260A-D, D4-260D-B, D4-260D-C, D4-260D-D, D4-260I-A, D4-260I-B, D4-260I-C, D4-260I-D, D4-300A-A, D4-300A-C, D4-300A-D, D4-300D-A, D4-300D-C, D4-300D-D, D4-300I-A, D4-300I-C, D4-300I-D, D4-180I-E, D4-225A-E, D4-225I-E, D4-260A-E, D4-260D-E, D4-260I-E, D4-300A-E, D4-300D-E, D4-300I-E

REF	PART NO.	QTY	DESCRIPTION	NOTES
1	3809098	1	Level sensor, set	
2	834389	1	* Tank sensor	
3	89865	1	* * Gasket	
4	834480	1	* * Flange	
5	956078	4	* * Cross recessed screw	L=16mm (956078)
	956081	1	* * Cross recessed screw	L=25mm
6	834481	5	* * Gasket	

D4-180I-B, D4-180I-C, D4-180I-D, D4-210A-A, D4-210A-B, D4-210I-A, D4-210I-B, D4-225A-B, D4-225A-C, D4-225A-D, D4-225I-B, D4-225I-C, D4-225I-D, D4-260A-A, D4-260A-B, D4-260A-C, D4-260A-D, D4-260D-B, D4-260D-C, D4-260D-D, D4-260I-A, D4-260I-B, D4-260I-C, D4-260I-D, D4-300A-A, D4-300A-C, D4-300A-D, D4-300D-A, D4-300D-C, D4-300D-D, D4-300I-A, D4-300I-C, D4-300I-D, D4-180I-E, D4-225A-E, D4-225I-E, D4-260A-E, D4-260D-E, D4-260I-E, D4-300A-E, D4-300D-E, D4-300I-E

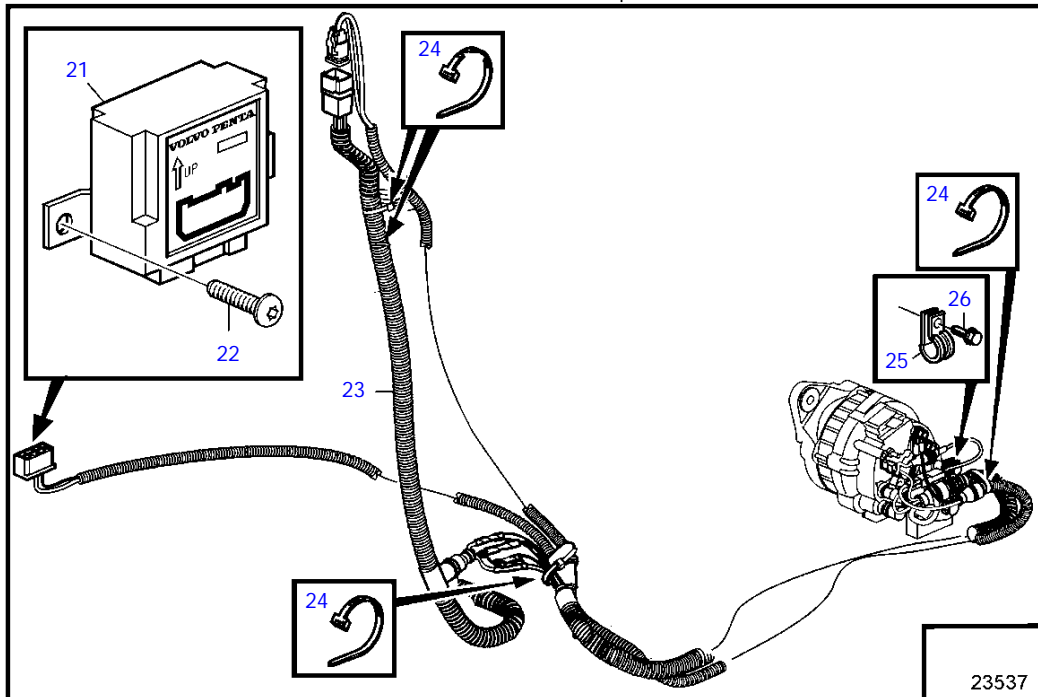
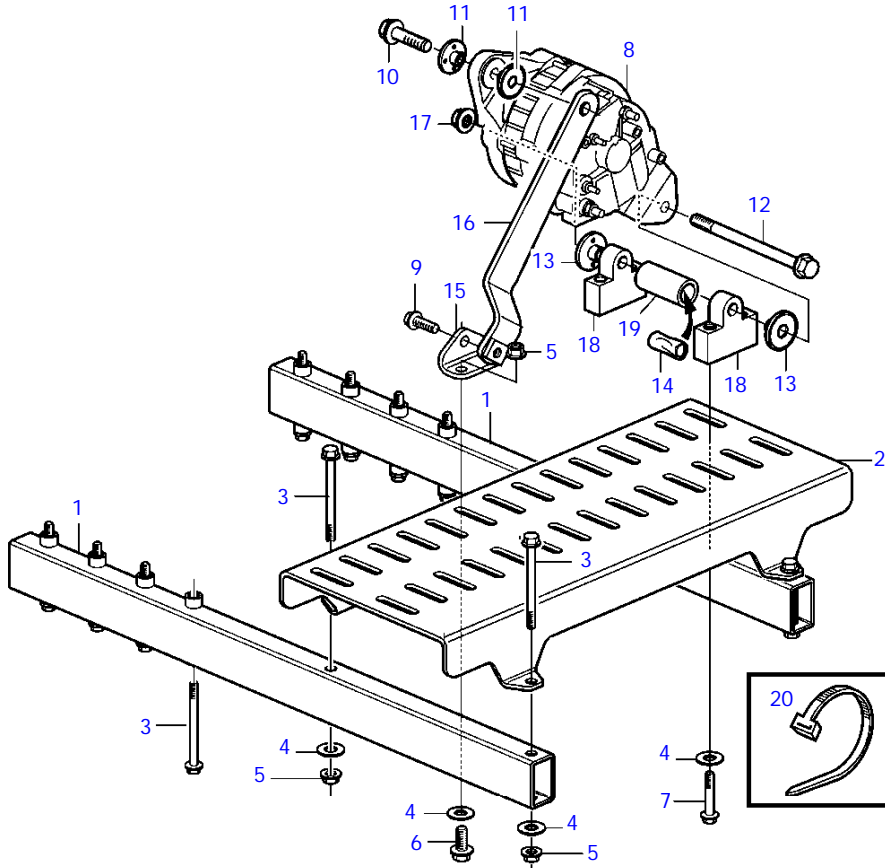


18583

D4-180I-B, D4-180I-C, D4-180I-D, D4-210A-A, D4-210A-B, D4-210I-A, D4-210I-B, D4-225A-B, D4-225A-C, D4-225A-D, D4-225I-B, D4-225I-C, D4-225I-D, D4-260A-A, D4-260A-B, D4-260A-C, D4-260A-D, D4-260D-B, D4-260D-C, D4-260D-D, D4-260I-A, D4-260I-B, D4-260I-C, D4-260I-D, D4-300A-A, D4-300A-C, D4-300A-D, D4-300D-A, D4-300D-C, D4-300D-D, D4-300I-A, D4-300I-C, D4-300I-D, D4-180I-E, D4-225A-E, D4-225I-E, D4-260A-E, D4-260D-E, D4-260I-E, D4-300A-E, D4-300D-E, D4-300I-E

REF	PART NO.	QTY	DESCRIPTION	SEE SEC.	NOTES
1	(1140462)	1	Water level gauge ki		(858881), Obsolete part
2	858643	1	* Front ring		
3	863942	1	* Water level gauge		
4	863945	1	* * Lamp socket		Use white bulb 19923 and socket 808175 for earlier gauges.
5	863946	1	* * Bulb		Use white bulb 19923 and socket 808175 for earlier gauges.
6		X	* Wiring harness	1963	
7	834389	1	* Tank sensor		
8	89865	1	* * Gasket		
9	834480	1	* * Flange		
10	969407	4	* * 6 point socket screw		(956078)
	969409	1	* * 6 point socket screw		
11	834481	5	* * Gasket		

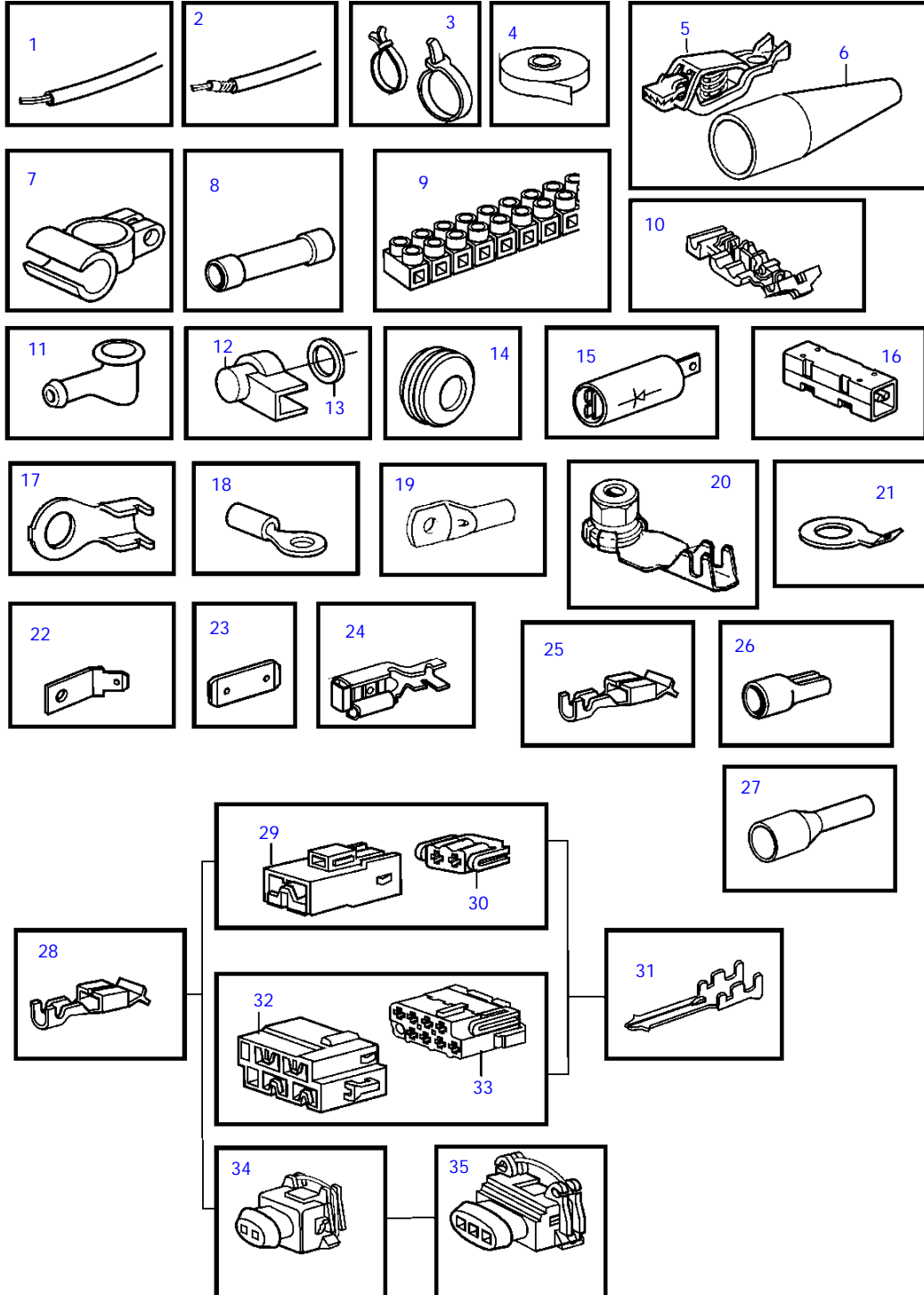
D4-180I-B, D4-210A-A, D4-210A-B, D4-210I-A, D4-210I-B, D4-225A-B, D4-225I-B, D4-260A-A, D4-260A-B, D4-260D-B, D4-260I-A, D4-260I-B



D4-180I-B, D4-210A-A, D4-210A-B, D4-210I-A, D4-210I-B, D4-225A-B, D4-225I-B, D4-260A-A, D4-260A-B, D4-260D-B, D4-260I-A, D4-260I-B

REF	PART NO.	QTY	DESCRIPTION	NOTES
1	3885266	2	Bracket	
2	3807984	1	Bracket	
3	965182	12	Flange screw	
4	948880	10	Washer	
5	948645	6	Flange lock nut	
6	945444	2	Flange screw	
7	947760	4	Flange screw	
8	3803911	1	Alternator, exch	14V, 115A
	3803912	1	Alternator, exch	28V, 80A
9	946441	1	Flange screw	
10	946470	1	Flange screw	
11	3589369	2	Insulating bushing	D=8mm
12	978447	1	Flange screw	
13	21308514	2	Insulating bushing	D=12mm
14		1	Hose	
15	3885739	1	Bracket	
16	3584076	1	Bracket	
	3588184	1	Bracket	260A-A
17	971095	1	Flange nut	
18	3885686	2	Support	
19	978429	1	Spacer sleeve	
20	948616	4	Cable tie	
21	873112	1	Position sensor	
22		2	Screw	
23	21194576	1	Wiring harness	(3884119)
24	948211	4	Cable tie	
25	952632	1	Clamp	
26	948663	1	Flange screw	

D4-180I-B, D4-180I-C, D4-180I-D, D4-210A-A, D4-210A-B, D4-210I-A, D4-210I-B, D4-225A-B, D4-225A-C, D4-225A-D, D4-225I-B, D4-225I-C, D4-225I-D, D4-260A-A, D4-260A-B, D4-260A-C, D4-260A-D, D4-260D-B, D4-260D-C, D4-260D-D, D4-260I-A, D4-260I-B, D4-260I-C, D4-260I-D, D4-300A-A, D4-300A-C, D4-300A-D, D4-300D-A, D4-300D-C, D4-300D-D, D4-300I-A, D4-300I-C, D4-300I-D, D4-180I-E, D4-225A-E, D4-225I-E, D4-260A-E, D4-260D-E, D4-260I-E, D4-300A-E, D4-300D-E, D4-300I-E

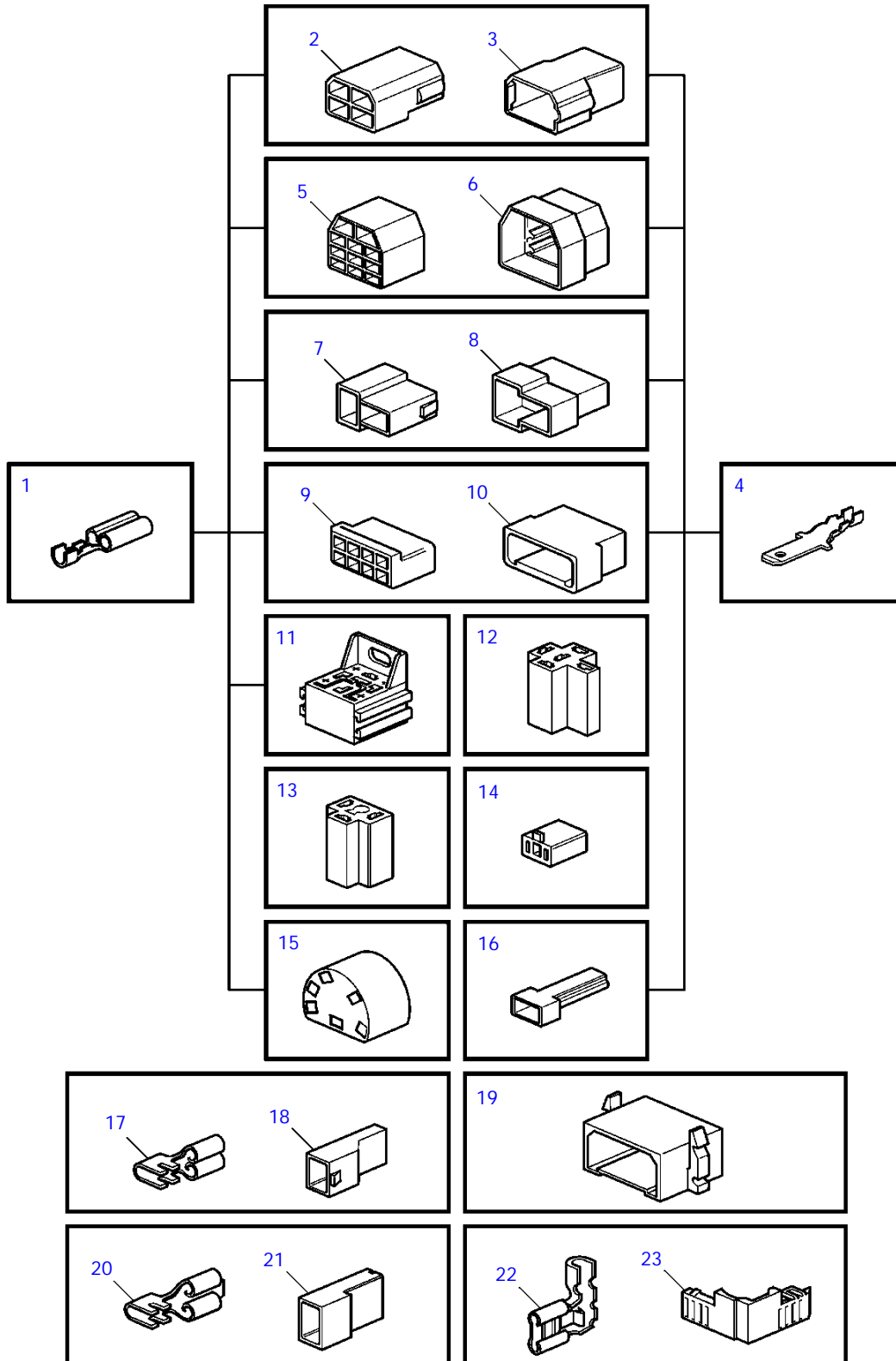


18567

D4-180I-B, D4-180I-C, D4-180I-D, D4-210A-A, D4-210A-B, D4-210I-A, D4-210I-B, D4-225A-B, D4-225A-C, D4-225A-D, D4-225I-B, D4-225I-C, D4-225I-D, D4-260A-A, D4-260A-B, D4-260A-C, D4-260A-D, D4-260D-B, D4-260D-C, D4-260D-D, D4-260I-A, D4-260I-B, D4-260I-C, D4-260I-D, D4-300A-A, D4-300A-C, D4-300A-D, D4-300D-A, D4-300D-C, D4-300D-D, D4-300I-A, D4-300I-C, D4-300I-D, D4-180I-E, D4-225A-E, D4-225I-E, D4-260A-E, D4-260D-E, D4-260I-E, D4-300A-E, D4-300D-E, D4-300I-E

REF	PART NO.	DESCRIPTION	NOTES
1	970624	Electric cable, type RK	1,5mm ² , black
	970626	Electric cable, type RK	1,5mm ² , red
	970661	Electric cable, type R2	1,5mm ² , red
	(970663)	Electric cable, type R2	Obsolete part, 2,5mm ² , black
	970698	Electric cable, type R2	2,5mm ² , red
	970700	Electric cable, type RK	4,0mm ² , black
	(970709)	Electric cable, type RK	Obsolete part, 6,0mm ² , black
	970711	Electric cable, type R2	6,0mm ² , red
	954485	Electric cable, type RK	16,0mm ² , red
	(954500)	Electric cable, type RK	Obsolete part, 25,0mm ² , red
	954502	Electric cable, type RK	35,0mm ² , red
2	874854	Power cable	Non reinforced ship cable approved by classification societies., 2x1,5mm ²
	(863657)	Cable	Obsolete part, Reinforced ship cable approved by classification societies., 4,0mm ² , red
	874855	Power cable	Non reinforced ship cable approved by classification societies., 2x2,5mm ²
	(842092)	Cable	Obsolete part, Non reinforced ship cable approved by classification societies., 3x1,5mm ²
	(874858)	Power cable	Obsolete part, Non reinforced ship cable approved by classification societies., 6,0mm ² , black
	(842090)	Cable	Obsolete part, Non reinforced ship cable approved by classification societies., 16,0mm ² , red
	874861	Power cable	Non reinforced ship cable approved by classification societies., 25,0mm ² , red
	874862	Power cable	Non reinforced ship cable approved by classification societies., 35,0mm ² , red
	846639	Electric cable	Non reinforced ship cable approved by classification societies., 2x1,5mm ²
	874870	Power cable	Non reinforced ship cable approved by classification societies., 2x1,5mm ²
	872679	Wiring harness	(846346)
	872939	Adapter	(846346)
	(874346)	Electric cable	Obsolete part, Reinforced ship cable approved by classification societies., RFOU 0,6/1kv
3	948211	Cable tie	3x1,5mm ²
	949666	Cable tie, with mount. Hole	3x4,0mm ²
	948616	Cable tie	3x6,0mm ²
	862832	Cable tie, steel	4x1,5mm ²
4	858283	Tape	4x2,5mm ²
5	844280	Clip, battery cable +pole	16x1,5mm ²
6	(844278)	Isolation	Obsolete part, Red
	(844279)	Isolation	Obsolete part, Black
7	954505	Cable terminal, battery cable -pole	D=77mm L=280mm
	954506	Cable terminal, battery cable +pole	D=42mm L=170mm
8	956956	Splice	D=102mm L=362mm
	956958	Splice	1,5-2,5mm ² , blue
	956960	Splice	L=61mm
9	926219	Coupling piece	Black
10	944306	Connector	Blue
11	829200	Protective cap	0,5-1,0mm ² , red
12	(1234326)	Protecting casing	Obsolete part, 1,5-2,5mm ² , blue
13	960140	Washer	3-6mm ² , yellow
14	941269	Plug	Max 20mm ² , 12-pole
	821053	Protecting bushing	I.D.=35mm
	943920	Plug	I.D.=40mm
15		Diode	
16		Diode	
17	970788	Cable terminal	M5x1,1-2,5mm ²
	970789	Cable terminal	M6x1,1-2,5mm ²
	(970791)	Cable terminal	Obsolete part, M10x1,1-2,5mm ²
18	881492	Cable terminal	M4x1,1-2,5mm ²
	881493	Cable terminal	M5x1,1-2,5mm ²
	881508	Cable terminal	M6x1,1-2,5mm ²
	881494	Cable terminal	M8x1,1-2,5mm ²
	881504	Cable terminal	M10x1,1-2,5mm ²
	881506	Cable terminal	M4x2,6-6,0mm ²
	881495	Cable terminal	M5x2,6-6,0mm ²
	881496	Cable terminal	M6x2,6-6,0mm ²
	881497	Cable terminal	M8x2,6-6,0mm ²
	881498	Cable terminal	M10x2,6-6,0mm ²
	940331	Cable terminal	M5x6,1-10,0mm ²
	940332	Cable terminal	M6x6,1-10,0mm ²
	940333	Cable terminal	M8x6,1-10,0mm ²
	(940334)	Cable terminal	Obsolete part, M10x6,1-10,0mm ²
	881512	Cable terminal	M5x10,1-16,0mm ²
	940335	Cable terminal	M6x10,1-16,0mm ²
	940336	Cable terminal	M8x10,1-16,0mm ²
	940337	Cable terminal	M10x10,1-16,0mm ²
19	949587	Cable terminal	M10x10mm ²
20	8140576	Nut	M4
21	865758	Cable terminal	I.D.=12,5 D=23mm
22	944485	Cable terminal	6,3xM5x180
23	839328	Tab	16,3x6,3x0,8
24	881491	Cable terminal	6,3x0,75-2,1mm ²
25	853015	Cable terminal	For trim instrument., For 853866, Yasaki
26	942429	Cable terminal	For 853866, Yasaki
27	3829867	Cable terminal	
	3829868	Cable terminal	
28	970777	Cable terminal	
29	968377	Housing	2,8x2 natural
	968379	Housing	2,8x2 gray
30	968376	Housing	4,8/2,8x2 natural
	968378	Housing	4,8/2,8x2 gray
31	974313	Cable terminal	2,8x0,8x1,1-2,5mm ²
32	968401	Housing	2,8x8 natural
33	968400	Housing	4,8/2,8x8 natural
34	976256	Housing	2-pole
35	967713	Housing	3-pole

D4-180I-B, D4-180I-C, D4-180I-D, D4-210A-A, D4-210A-B, D4-210I-A, D4-210I-B, D4-225A-B, D4-225A-C, D4-225A-D, D4-225I-B, D4-225I-C, D4-225I-D, D4-260A-A, D4-260A-B, D4-260A-C, D4-260A-D, D4-260D-B, D4-260D-C, D4-260D-D, D4-260I-A, D4-260I-B, D4-260I-C, D4-260I-D, D4-300A-A, D4-300A-C, D4-300A-D, D4-300D-A, D4-300D-C, D4-300D-D, D4-300I-A, D4-300I-C, D4-300I-D, D4-180I-E, D4-225A-E, D4-225I-E, D4-260A-E, D4-260D-E, D4-260I-E, D4-300A-E, D4-300D-E, D4-300I-E

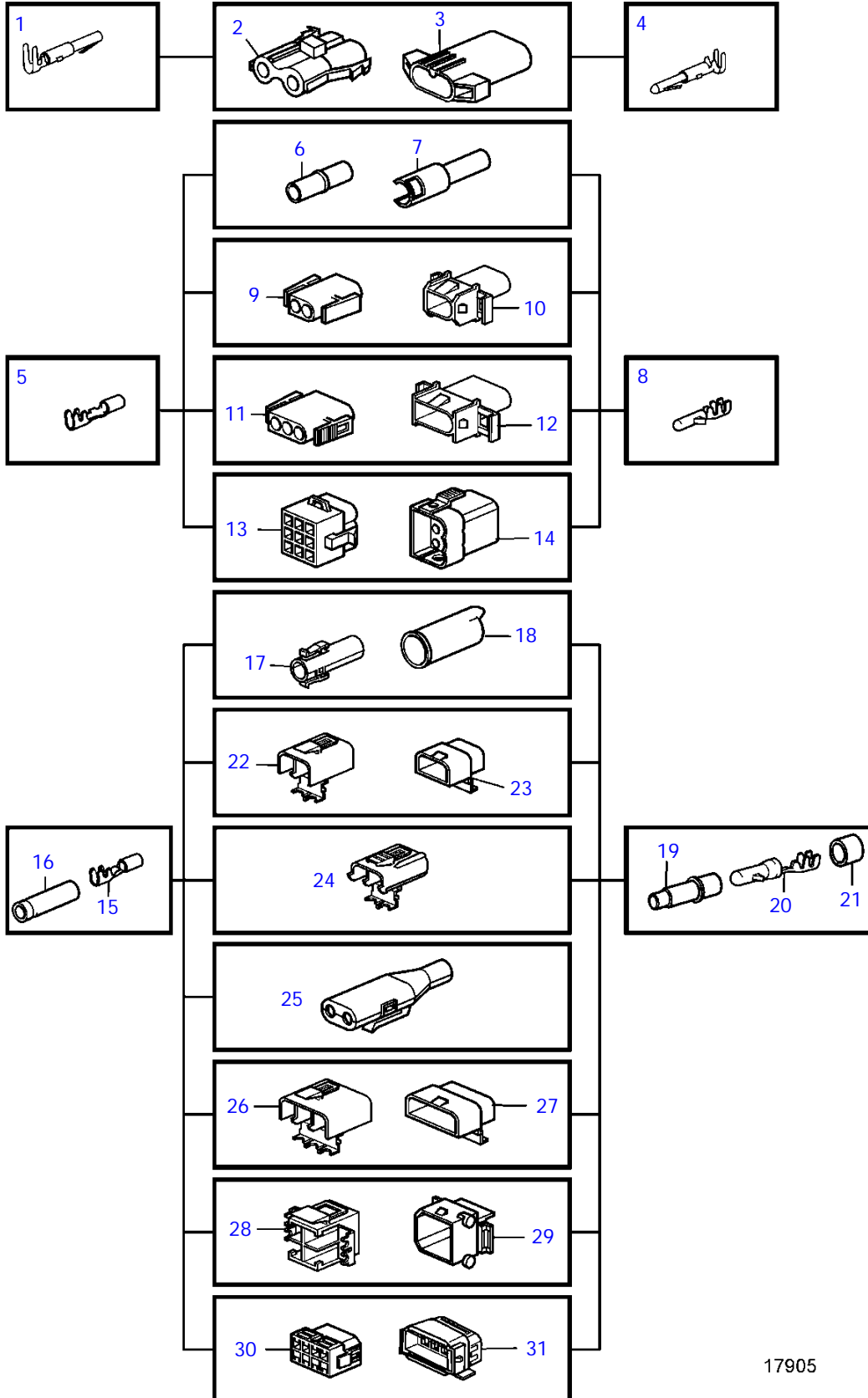


15819

D4-180I-B, D4-180I-C, D4-180I-D, D4-210A-A, D4-210A-B, D4-210I-A, D4-210I-B, D4-225A-B, D4-225A-C, D4-225A-D, D4-225I-B, D4-225I-C, D4-225I-D, D4-260A-A, D4-260A-B, D4-260A-C, D4-260A-D, D4-260D-B, D4-260D-C, D4-260D-D, D4-260I-A, D4-260I-B, D4-260I-C, D4-260I-D, D4-300A-A, D4-300A-C, D4-300A-D, D4-300D-A, D4-300D-C, D4-300D-D, D4-300I-A, D4-300I-C, D4-300I-D, D4-180I-E, D4-225A-E, D4-225I-E, D4-260A-E, D4-260D-E, D4-260I-E, D4-300A-E, D4-300D-E, D4-300I-E

REF	PART NO.	DESCRIPTION	NOTES
1	973150	Cable terminal	6,3x0,8x1,1-2,5mm ²
	949206	Cable terminal	6,3x0,8x4,0-6,0mm ²
2	948856	Housing	6,3x4 natural
3	948855	Housing	6,3x4 natural
4	973117	Cable terminal	6,3x0,8x0,5-1,0mm ²
	881487	Cable terminal	6,3x0,8x0,75-2,5mm ²
	881488	Cable terminal	6,3x0,8x4,0-6,0mm ²
5	945830	Housing	6,3x11 natural
6	945831	Tab housing	6,3x11 natural
7	958210	Housing	6,3x2 black
8	958209	Housing	6,3x2 black
9	944076	Housing	6,3x8 natural
10	948857	Housing	6,3x8 natural
11	977184	Housing	6,3x5x4,8/2,8x4
12	1214948	Housing	6,3x5 black
13	945469	Housing	6,3x3 black
14	1578937	Housing	6,3x2 natural
15	828624	Receptacle housing	6,3x6
16		Housing	6,3x1 black
17	949405	Cable terminal	4,8x1,1-2,5mm ²
18	947848	Housing	4,8x1 natural
19	944077	Housing	6,3x8 natural
20	881483	Cable terminal	6,3x0,8x1,1-2,5mm ²
	881484	Cable terminal	6,3x0,8x4,0-6,0mm ²
21	949597	Housing	6,3x1 natural
	943511	Housing	6,3x1 natural
22	881489	Cable terminal	6,3x0,8x1,1-2,5
23	944221	Housing	6,3x1 natural

D4-180I-B, D4-180I-C, D4-180I-D, D4-210A-A, D4-210A-B, D4-210I-A, D4-210I-B, D4-225A-B, D4-225A-C, D4-225A-D, D4-225I-B, D4-225I-C, D4-225I-D, D4-260A-A, D4-260A-B, D4-260A-C, D4-260A-D, D4-260D-B, D4-260D-C, D4-260D-D, D4-260I-A, D4-260I-B, D4-260I-C, D4-260I-D, D4-300A-A, D4-300A-C, D4-300A-D, D4-300D-A, D4-300D-C, D4-300D-D, D4-300I-A, D4-300I-C, D4-300I-D, D4-180I-E, D4-225A-E, D4-225I-E, D4-260A-E, D4-260D-E, D4-260I-E, D4-300A-E, D4-300D-E, D4-300I-E

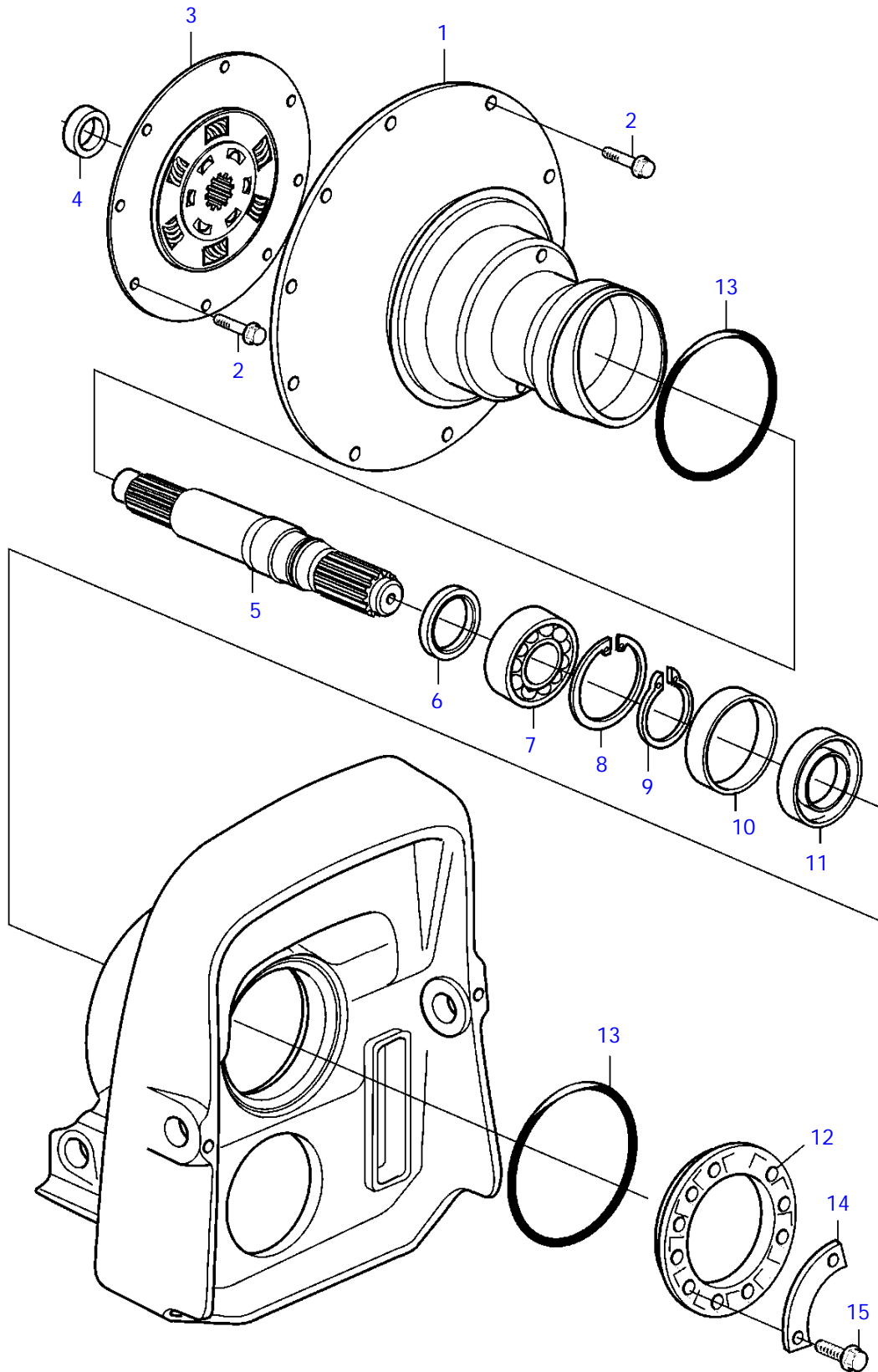


17905

D4-180I-B, D4-180I-C, D4-180I-D, D4-210A-A, D4-210A-B, D4-210I-A, D4-210I-B, D4-225A-B, D4-225A-C, D4-225A-D, D4-225I-B, D4-225I-C, D4-225I-D, D4-260A-A, D4-260A-B, D4-260A-C, D4-260A-D, D4-260D-B, D4-260D-C, D4-260D-D, D4-260I-A, D4-260I-B, D4-260I-C, D4-260I-D, D4-300A-A, D4-300A-C, D4-300A-D, D4-300D-A, D4-300D-C, D4-300D-D, D4-300I-A, D4-300I-C, D4-300I-D, D4-180I-E, D4-225A-E, D4-225I-E, D4-260A-E, D4-260D-E, D4-260I-E, D4-300A-E, D4-300D-E, D4-300I-E

REF	PART NO.	DESCRIPTION	NOTES
1	946038	Cable terminal	2,1x0,5-1mm ²
2	944224	Housing	2-pole
3	944223	Housing	2-pole
4		Cable terminal	Not marketed by Volvo Penta., 2,1x0,5-1mm ²
5	965822	Cable terminal	3,5x1,1-2,5mm ²
	948289	Cable terminal	3,5x2,5-4,0mm ²
6	949584	Housing	3,5x1 natural
7	949583	Housing	3,5x1 natural
8	969831	Cable terminal	3,5x0,5-1mm ²
	965824	Cable terminal	3,5x1,1-2,5mm ²
	965825	Cable terminal	3,5x2,6-4,0mm ²
9	948996	Housing	3,5x2 natural
10	948995	Housing	3,5x2 natural
11	948296	Housing	3,5x3 natural
12	948297	Housing	3,5x3 natural
13	948294	Housing	3,5x9 natural
14	948295	Housing	3,5x9 natural
15	949371	Cable terminal	3,5x0,75-1,5mm ²
	1598753	Insulator	3,5x2,5-4,5mm ²
16	1598753	Insulator	
17	1307035	Housing	1-pole
18	1308436	Housing	1-pole
19	1608765	Insulator	
20	965824	Cable terminal	3,5x2,5-4,5mm ²
21	1608766	Seal	
22	1307048	Housing	2-pole
23	1307049	Housing	2-pole
24	970753	Housing	2-pole
25	1624477	Housing	2-pole
26	1259828	Housing	3-pole
27	3523442	Pin housing	3-polig (1259829)
28	1259830	Housing	4-pole
29	1259831	Housing	4-pole
30	966812	Housing	8-pole
31	967809	Housing	8-pole

D4-210A-A, D4-210A-B, D4-225A-B, D4-225A-C, D4-260A-A, D4-260A-B, D4-260A-C, D4-300A-A, D4-300A-C, DPH-A, DPH-B, DPR-A, DPR-B

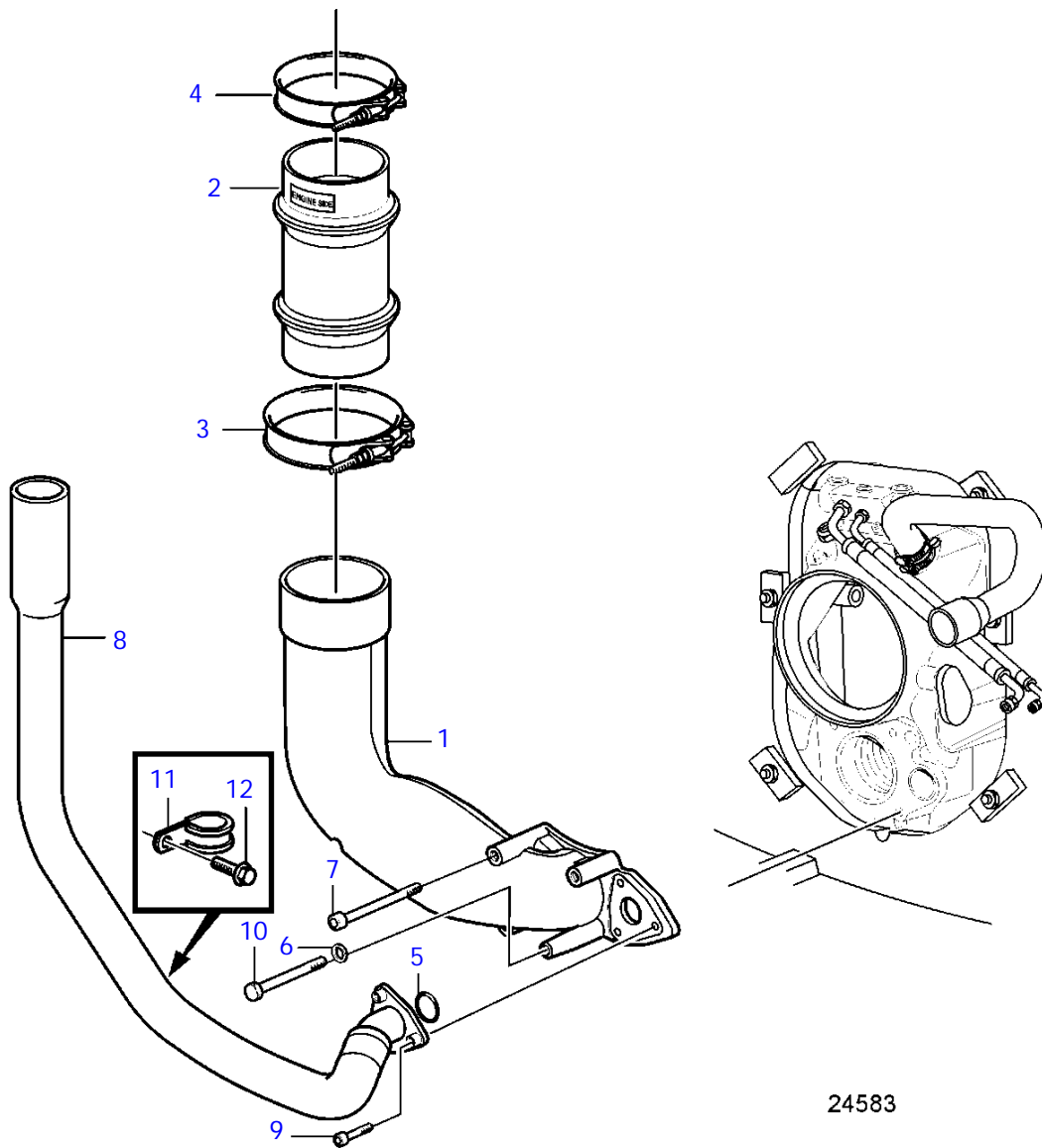


26127

D4-210A-A, D4-210A-B, D4-225A-B, D4-225A-C, D4-260A-A, D4-260A-B, D4-260A-C, D4-300A-A, D4-300A-C, DPH-A, DPH-B, DPR-A, DPR-B

REF	PART NO.	QTY	DESCRIPTION	NOTES
1	3589844	1	Flywheel housing	Replaced by 21201104
	21201104	1	Flywheel housing	
2	946752	18	Flange screw	L=35mm
3	3886887	1	Flexible coupling	
4	888264	1	Bushing	
5	21324794	1	Shaft	
6	6842273	1	Lip seal	
7	184841	1	Ball bearing	
8	914533	1	Snap ring	
9	914462	1	Snap ring	
10	888545	1	Bushing	
11	958860	1	Sealing ring	
12	873048	1	Tensioning ring	
13	813967	2	Rubber ring	
14	806624	3	Striker plate	
15	191844	6	Hexagon screw	

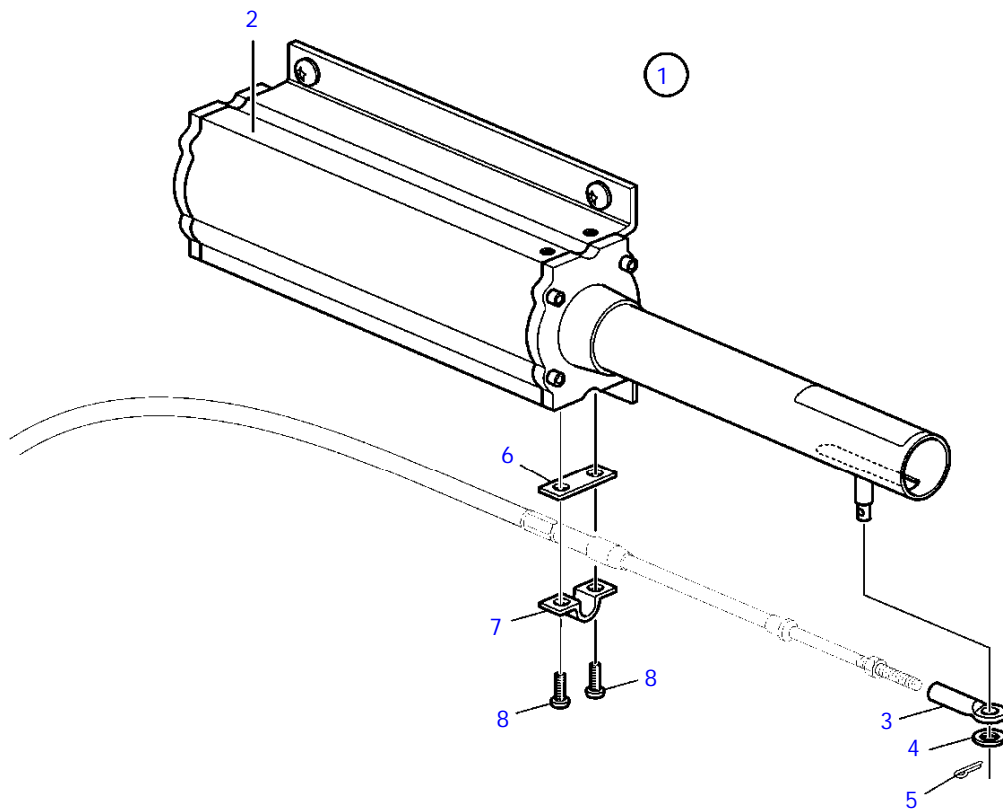
D4-210A-A, D4-210A-B, D4-225A-B, D4-225A-C, D4-225A-D, D4-260A-A, D4-260A-B, D4-260A-C, D4-260A-D, D4-300A-A, D4-300A-C, D4-300A-D, D4-225A-E, D4-260A-E, D4-300A-E, DPH-A, DPH-B, DPR-A, DPR-B



D4-210A-A, D4-210A-B, D4-225A-B, D4-225A-C, D4-225A-D, D4-260A-A, D4-260A-B, D4-260A-C, D4-260A-D, D4-300A-A, D4-300A-C, D4-300A-D, D4-225A-E, D4-260A-E, D4-300A-E, DPH-A, DPH-B, DPR-A, DPR-B

REF	PART NO.	QTY	DESCRIPTION	NOTES
1	40005584	1	Exhaust pipe	
2	3584167	1	Exhaust hose	For D4 engines.
	3584168	1	Exhaust hose	For D6 engines.
3	3817484	1	Hose clamp	For exhaust pipe without plastic sleeve.
	3817485	1	Hose clamp	For exhaust pipe with plastic sleeve.
4	3817484	1	Hose clamp	For D4 engines.
	3817486	1	Hose clamp	For D6 engines.
5	969415	1	O-ring	
6	984391	4	Washer	
7	984367	2	Hexagon screw	L=70mm
8	3587184	1	Hose assembly	
9	984257	3	6 point socket screw	L=25mm
10	984700	2	Hexagon screw	L=90mm
11	984474	1	Clamp	
12	948746	1	Flange screw	

D4-210A-A, D4-210A-B, D4-225A-B, D4-225A-C, D4-225A-D, D4-260A-A, D4-260A-B, D4-260A-C, D4-260A-D, D4-300A-A, D4-300A-C, D4-300A-D, D4-225A-E, D4-260A-E, D4-300A-E, DPH-A, DPH-B, DPR-A, DPR-B

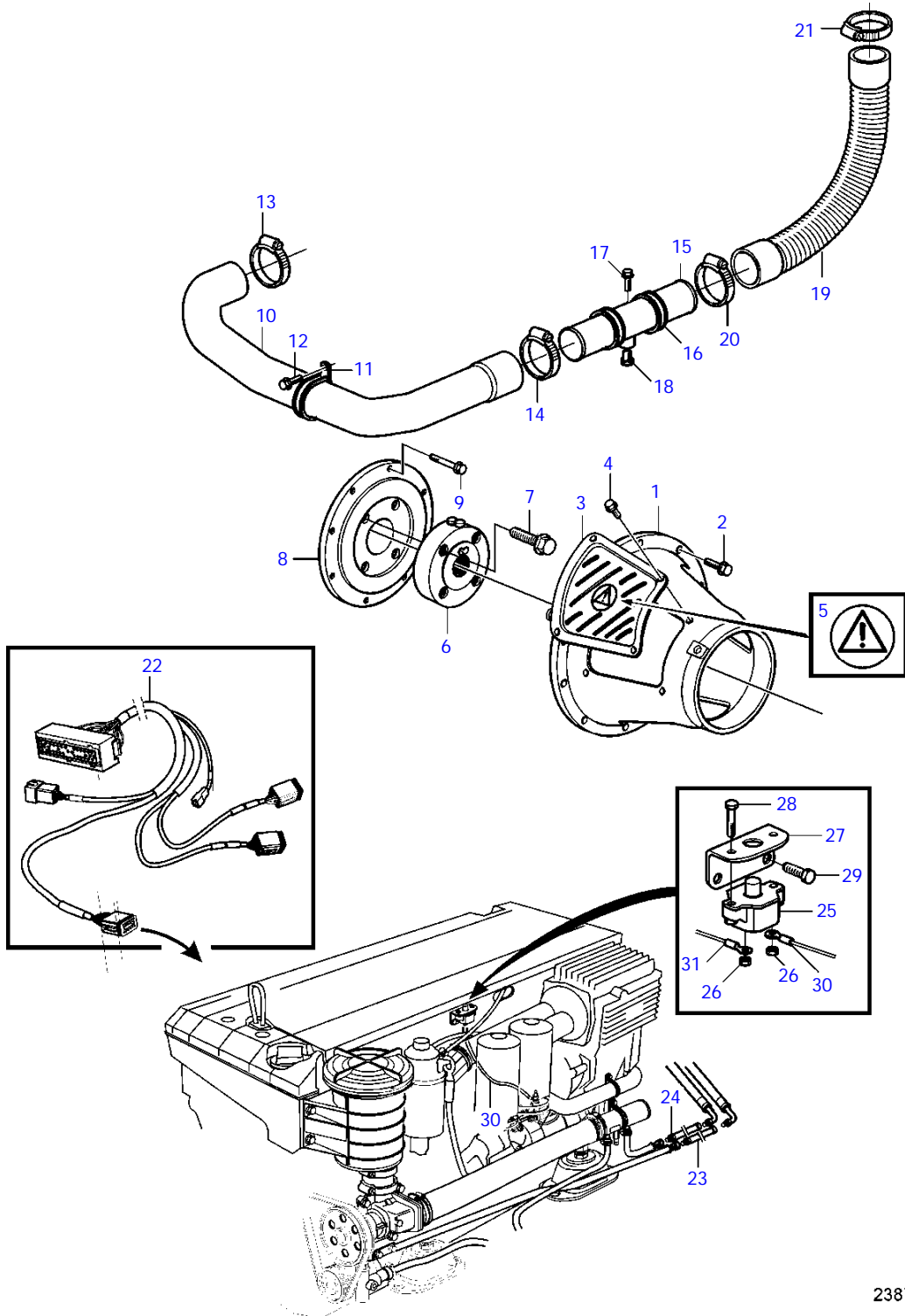


24272

D4-210A-A, D4-210A-B, D4-225A-B, D4-225A-C, D4-225A-D, D4-260A-A, D4-260A-B, D4-260A-C, D4-260A-D, D4-300A-A, D4-300A-C, D4-300A-D, D4-225A-E, D4-260A-E, D4-300A-E, DPH-A, DPH-B, DPR-A, DPR-B

REF	PART NO.	QTY	DESCRIPTION	NOTES
1	3817496	1	Actuator	Replaced by 21146097
	21146097	1	Actuator	
2		1	* Actuator	
3	3850941	1	* Adapter	
4	940191	1	* Washer	
5	17253	1	* Split pin	
6	819068	1	* Washer	
7	21471054	1	* Bracket	
8	973155	2	* 6 point socket screw	

D4-180I-B, D4-180I-C, D4-180I-D, D4-210I-A, D4-210I-B, D4-225I-B, D4-225I-C, D4-225I-D, D4-260A-A, D4-260A-B, D4-260A-C, D4-260A-D, D4-260I-A, D4-260I-B, D4-260I-C, D4-260I-D, D4-300A-A, D4-300A-C, D4-300A-D, D4-300I-A, D4-300I-C, D4-300I-D, D4-180I-E, D4-225A-E, D4-225I-E, D4-260A-E, D4-260I-E, D4-300A-E, D4-300I-E

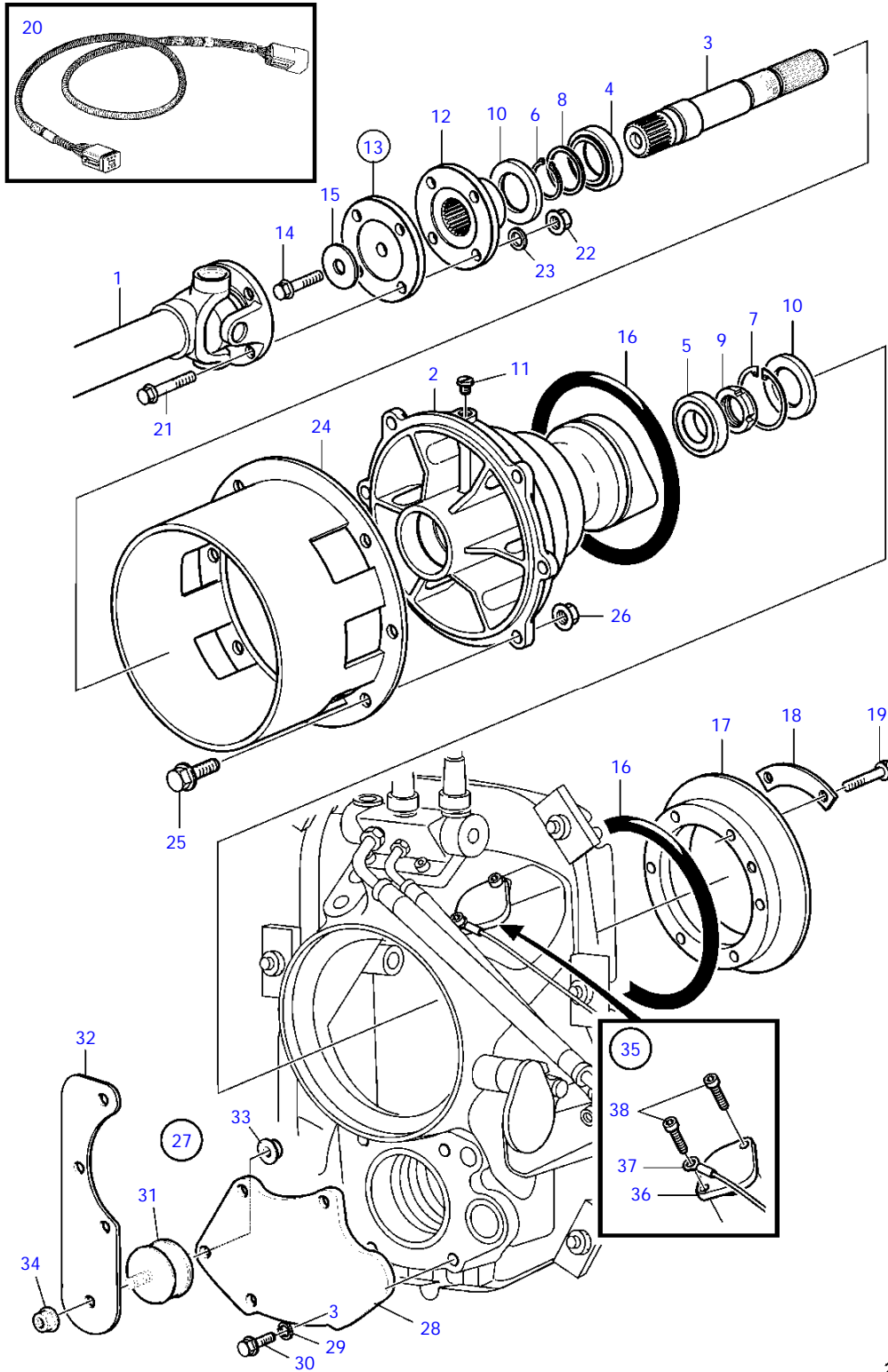


23875

D4-180I-B, D4-180I-C, D4-180I-D, D4-210I-A, D4-210I-B, D4-225I-B, D4-225I-C, D4-225I-D, D4-260A-A, D4-260A-B, D4-260A-C, D4-260A-D, D4-260I-A, D4-260I-B, D4-260I-C, D4-260I-D, D4-300A-A, D4-300A-C, D4-300A-D, D4-300I-A, D4-300I-C, D4-300I-D, D4-180I-E, D4-225A-E, D4-225I-E, D4-260A-E, D4-260I-E, D4-300A-E, D4-300I-E

REF	PART NO.	QTY	DESCRIPTION	NOTES
1	3817751	1	Protecting casing	
2	946752	14	Flange screw	
3	3862871	2	Protecting screen	
4	968476	8	Flange screw	
5	3817024	2	Decal	
6	3588578	1	Adapter	
7	465826	4	Screw	
8	3847980	1	Clutch	Replaced by 21111686
	21111686	1	Flexible coupling	Replaced by 21393521
	21393521	1	Flexible coupling	
9	965186	8	Flange screw	
10	3808508	1	Hose	
11	969354	1	Clamp	
12	946440	1	Flange screw	
13	961671	1	Hose clamp	
14	961672	1	Hose clamp	
15	3808510	1	Dummy	
16	984474	2	Clamp	
17	945444	2	Flange screw	
18	861551	1	Plug	
19	3588788	1	Hose	
20	961672	1	Hose clamp	
21	961671	1	Hose clamp	
22	3808576	1	Wiring harness	EVC-C, L=2.65m
	3808577	1	Wiring harness	EVC-C, L=4.65m
	40005754	1	Wiring harness	EVC-C2
23	3589107	1	Hydraulic hose, extension	Pressure
24	3589106	1	Hydraulic hose, extension	Return
25	856337	1	Automatic fuse, 50A	Trim pump
26		2	* Nut	
27	3808612	1	Support	
28	3853620	2	Hexagon screw	
29	967949	2	Flange screw	
30	3885076	1	Cable	Battery positive, from starter
31		1	Cable	Trim pump

D4-210A-A, D4-210A-B, D4-225A-B, D4-225A-C, D4-225A-D, D4-260A-A, D4-260A-B, D4-260A-C, D4-260A-D, D4-300A-A, D4-300A-C, D4-300A-D, D4-225A-E, D4-260A-E, D4-300A-E, DPH-A, DPH-B, DPR-A, DPR-B

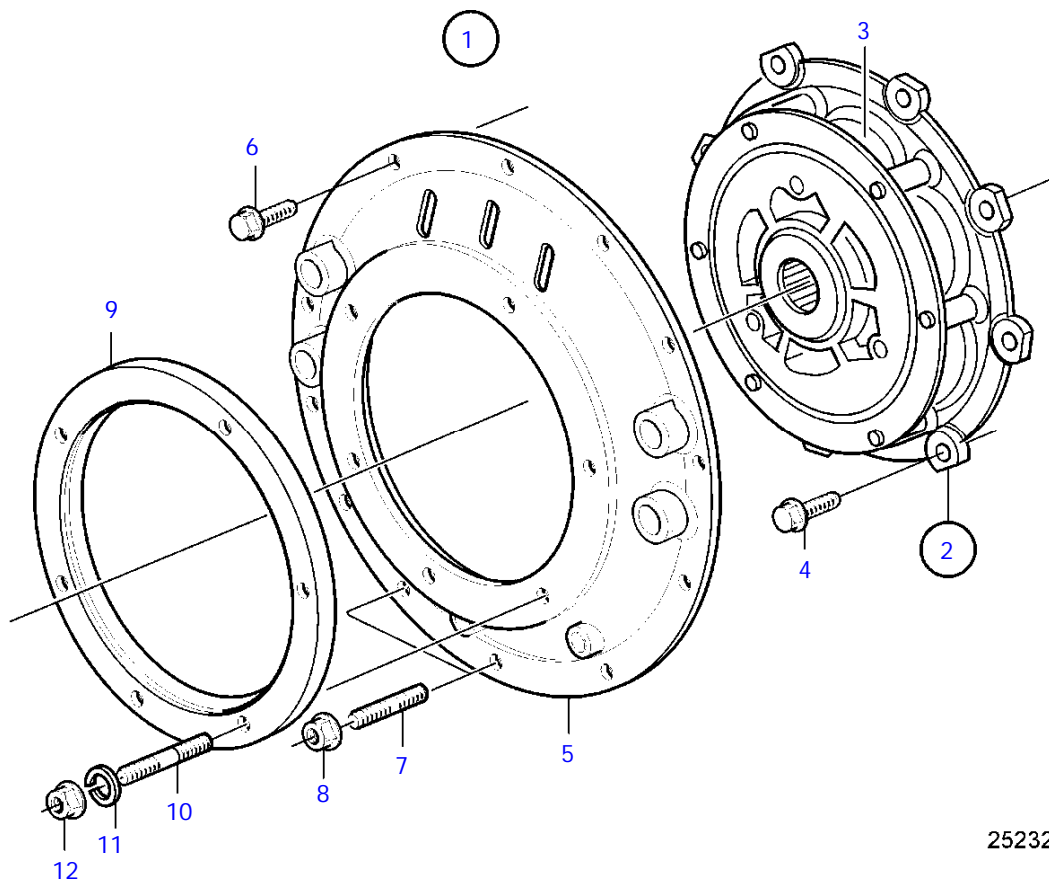


23814

D4-210A-A, D4-210A-B, D4-225A-B, D4-225A-C, D4-225A-D, D4-260A-A, D4-260A-B, D4-260A-C, D4-260A-D, D4-300A-A, D4-300A-C, D4-300A-D, D4-225A-E, D4-260A-E, D4-300A-E, DPH-A, DPH-B, DPR-A, DPR-B

REF	PART NO.	QTY	DESCRIPTION	NOTES
1		1	Jack shaft	Buy locally
2	3807369	1	Intermediate housing	
3	3588815	1	Shaft	
4	183647	1	Roller bearing	
5	11041	1	Roller bearing	
6	914465	1	Snap ring	
7	914533	1	Snap ring	
8	968950	1	Support washer	
9	969072	1	Round nut	
10	958860	2	Sealing ring	
11	804262	1	Plug	
12	838422	1	Clutch flange	
13	3857016	1	Bracket	
14	946472		* Flange screw	
15	947541	1	Washer	
16	858464	2	Rubber ring	
17	873048	1	Tensioning ring	
18	806624	3	Striker plate	
19	191844	6	Hexagon screw	
20	3842733	1	Extension cable'verl	3m
21	945996	4	Hexagon screw	
22	950375	4	Lock nut	
23	949818	4	Washer	
24	3588817	1	Cover	
25	965192	6	Flange screw	
26	977938	6	Flange lock nut	
27	(888216)	1	Kit	Obsolete part
28	3807219	1	* Flange	
29	941908	4	* Spring washer	
30	984914	4	* Hexagon screw	
31	3588654	1	Mounting base	
32	3588656	1	Bracket	
33	977938	1	Flange lock nut	
34	977938	1	Flange lock nut	
35	3807366	1	Kit	
36		1	* Flange	not sold separately
37	3588898	1	Strap	
38	946541	2	Hex. socket screw	

D4-180I-B, D4-180I-C, D4-180I-D, D4-210I-B, D4-225I-B, D4-225I-C, D4-225I-D, D4-260I-B, D4-260I-C, D4-260I-D, D4-300I-A, D4-300I-C, D4-300I-D, D4-180I-E, D4-225I-E, D4-260I-E, D4-300I-E

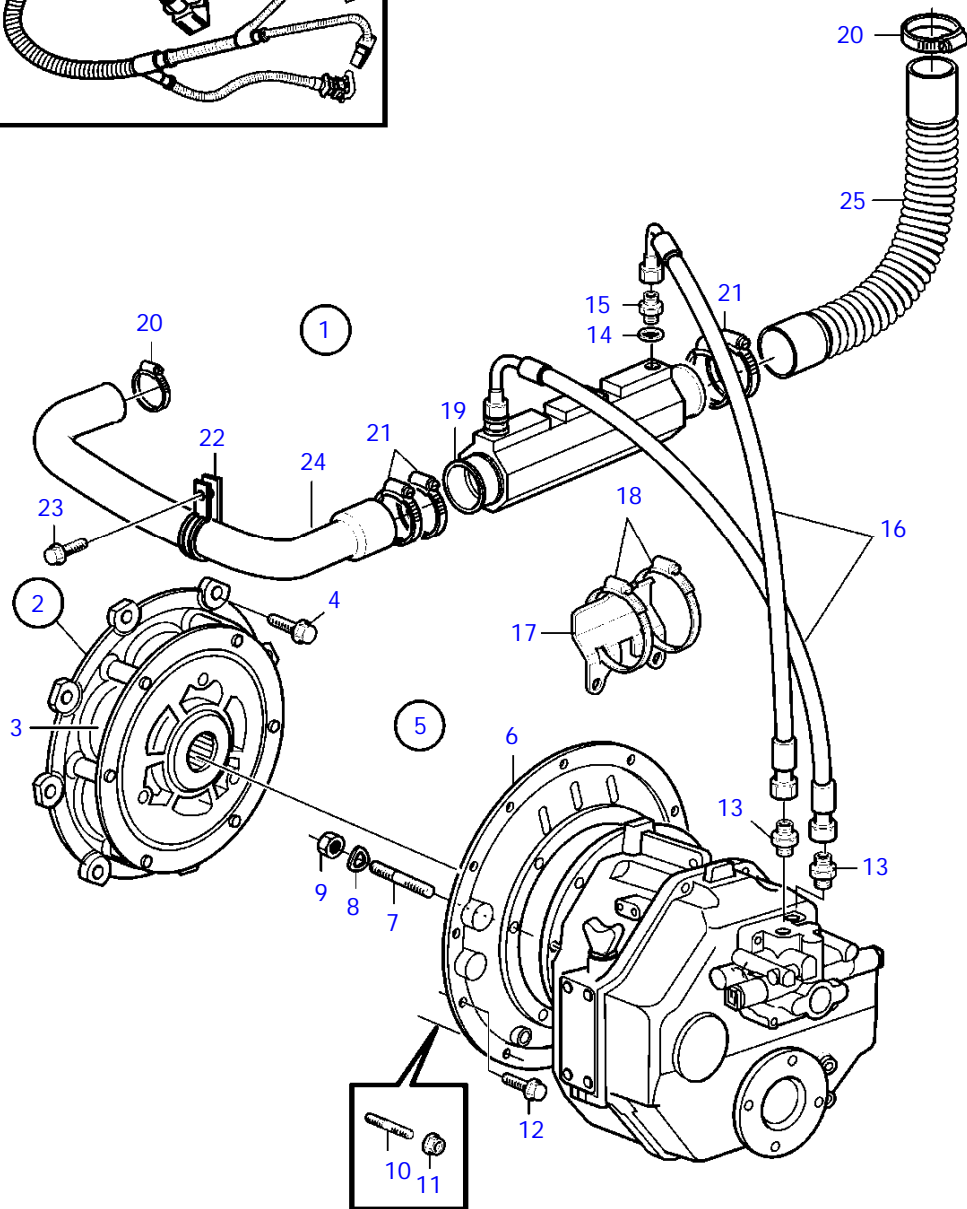
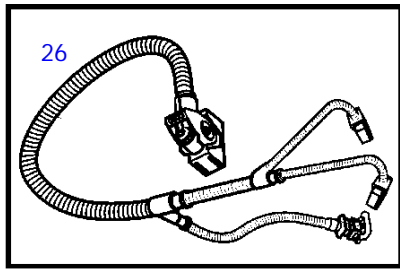


25232

D4-180I-B, D4-180I-C, D4-180I-D, D4-210I-B, D4-225I-B, D4-225I-C, D4-225I-D, D4-260I-B, D4-260I-C, D4-260I-D, D4-300I-A, D4-300I-C, D4-300I-D, D4-180I-E, D4-225I-E, D4-260I-E, D4-300I-E

REF	PART NO.	QTY	DESCRIPTION	NOTES
1		1	Connector kit	
2	3583843	1	* Flexible coupling	
3	21509613	1	* * Roller kit	Kit includes 4 pcs rubber rollers
4	965185	8	* Flange screw	
5	3584253	1	* Cover	
6	946472	10	* Flange screw	
7	953067	2	* Stud	
8	971095	2	* Flange nut	
9	3808744	1	* Spacer ring	
10	924081	6	* Stud	
11	942336	6	* Spring washer	
12	971071	6	* Hexagon nut	

D4-180I-C, D4-180I-D, D4-225I-B, D4-225I-C, D4-225I-D, D4-180I-E, D4-225I-E



25234

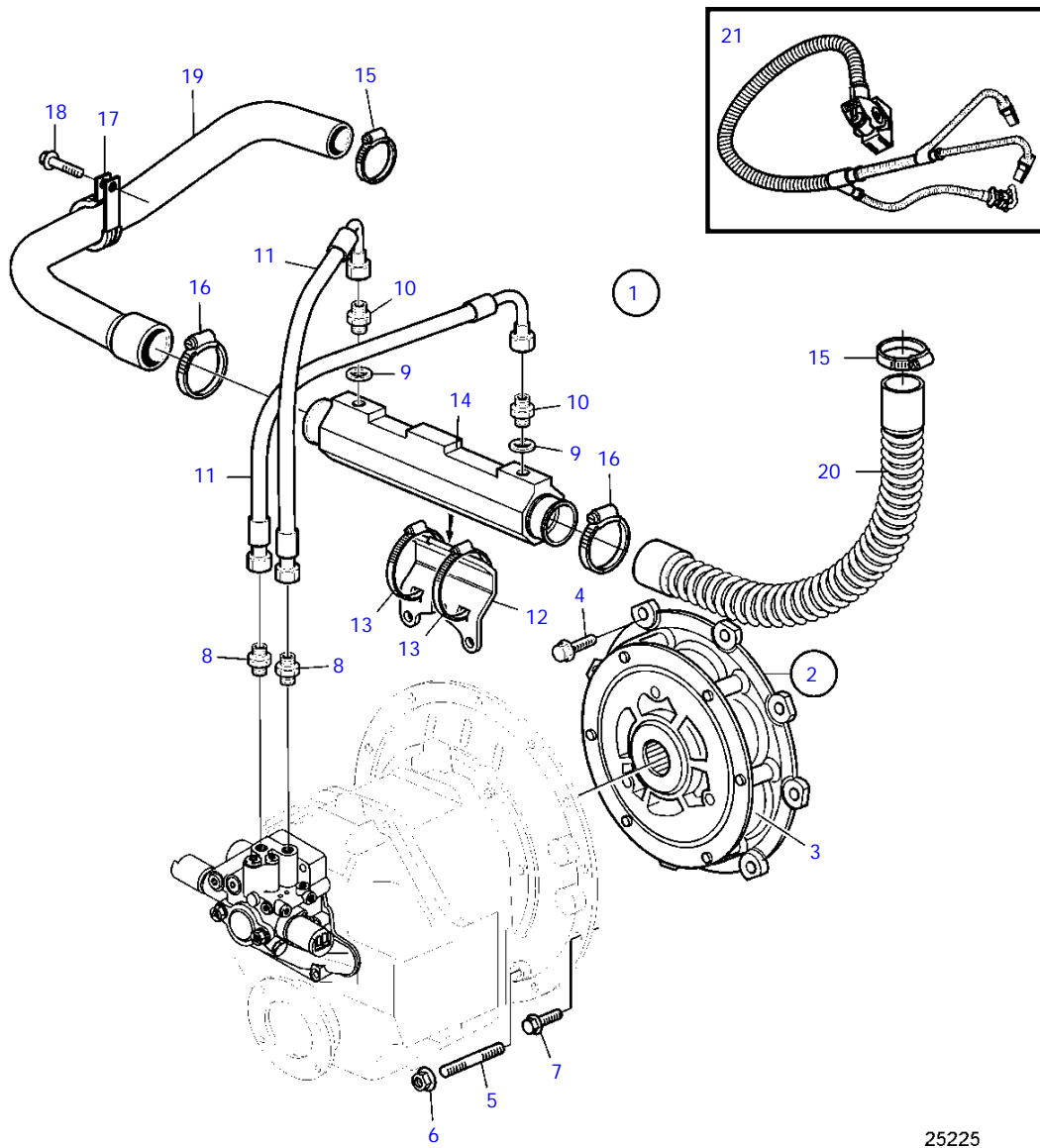
D4-180I-C, D4-180I-D, D4-225I-B, D4-225I-C, D4-225I-D, D4-180I-E, D4-225I-E

REF	PART NO.	QTY	DESCRIPTION	NOTES
1		1	Connector kit	
2	21111688	1	* Flexible coupling	
3	21509613	1	* * Roller kit	Kit includes 4 pcs rubber rollers
4	965185	8	* Flange screw	
5	21328166	1	* Adapter kit	
6	21328162	1	* * Adapter	
7	924075	6	* * Stud	
8	942336	6	* * Spring washer	
9	971071	6	* * Hexagon nut	
10	953067	2	* Stud	
11	971095	2	* Flange nut	
12	946752	10	* Flange screw	
13	941750	2	* Nipple	
14	976930	2	* Gasket	
15	963948	2	* Nipple	
16	3584428	2	* Hose	
17	3584438	1	* Bracket	
18	943481	2	* Hose clamp	
19	3584434	1	* Oil cooler	
20	961671	1	* Hose clamp	
21	961672	1	* Hose clamp	
22	969354	1	* Clamp	
23	946440	1	* Flange screw	
24	3583844	1	* Hose	
25	3588788	1	* Hose	
26	40005753	1	* Wiring harness	
	3883882	1	Wiring harness	For earlier version.

D4-225I-B, D4-225I-C, D4-225I-D, D4-225I-E

REF	PART NO.	QTY	DESCRIPTION	NOTES
1		1	Connector kit	
2	21111688	1	* Flexible coupling	
3	21509613	1	* • Roller kit	Kit includes 4 pcs rubber rollers
4	965185	8	* Flange screw	
5	953067	2	* Stud	
6	971095	2	* Flange nut	
7	946752	10	* Flange screw	
8	941750	2	* Nipple	
9	976930	2	* Gasket	
10	963948	2	* Nipple	
11	3584428	2	* Hose	
12	3584438	1	* Bracket	
13	943481	2	* Hose clamp	
14	3584434	1	* Oil cooler	
15	961671	1	* Hose clamp	
16	961672	1	* Hose clamp	
17	969354	1	* Clamp	
18	946440	1	* Flange screw	
19	3583844	1	* Hose	
20	3588788	1	* Hose	
21	40005753	1	* Wiring harness	
	3883882	1	Wiring harness	For earlier version.

D4-225I-B, D4-225I-C, D4-260I-A, D4-260I-B, D4-260I-C

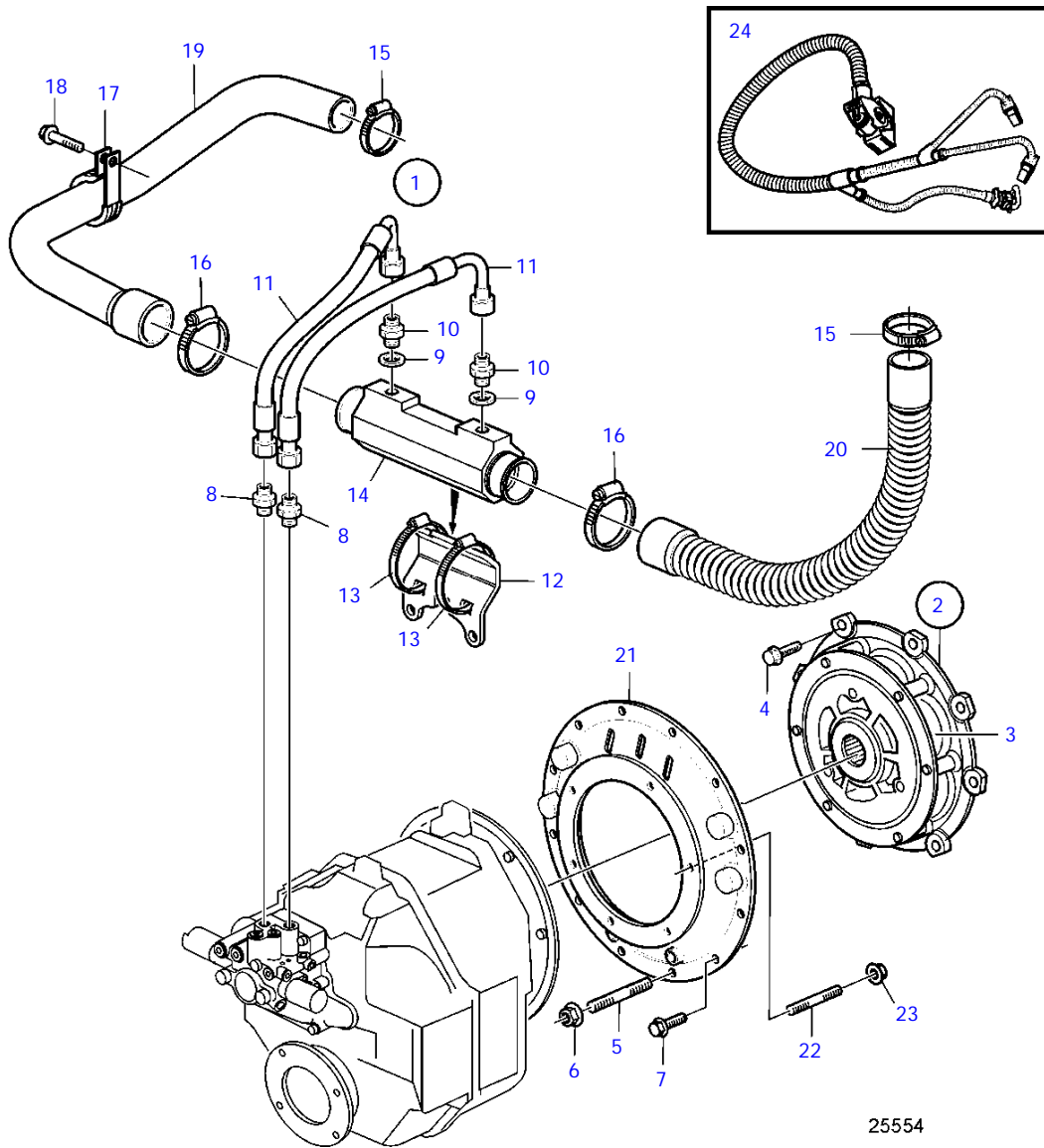


25225

D4-225I-B, D4-225I-C, D4-260I-A, D4-260I-B, D4-260I-C

REF	PART NO.	QTY	DESCRIPTION	NOTES
1		1	Connector kit	
2	21111688	1	* Flexible coupling	
3	21509613	1	* • Roller kit	Kit includes 4 pcs rubber rollers
4	965185	8	* Flange screw	
5	953067	2	* Stud	
6	971095	2	* Flange nut	
7	946752	10	* Flange screw	
8	941750	2	* Nipple	
9	976930	2	* Gasket	
10	963948	2	* Nipple	
11	3584428	2	* Hose	
12	3584439	1	* Bracket	
13	943481	2	* Hose clamp	
14	3584434	1	* Oil cooler	
15	961671	1	* Hose clamp	
16	961672	1	* Hose clamp	
17	969354	1	* Clamp	
18	946440	1	* Flange screw	
19	3583844	1	* Hose	
20	3588788	1	* Hose	
21	40005753	1	* Wiring harness	
	3883882	1	Wiring harness	For earlier version.

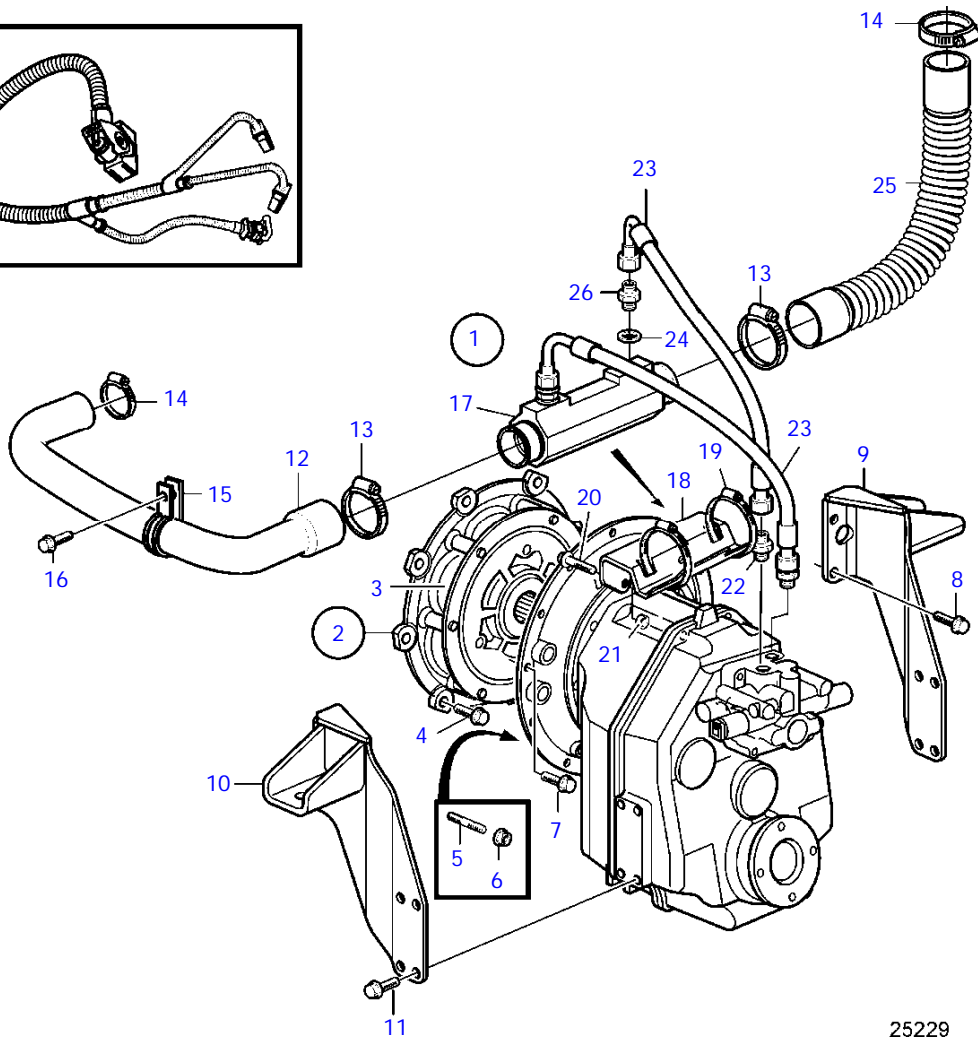
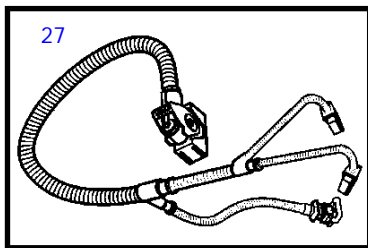
D4-300I-A, D4-300I-C, D4-300I-D, D4-300I-E



D4-300I-A, D4-300I-C, D4-300I-D, D4-300I-E

REF	PART NO.	QTY	DESCRIPTION	NOTES
1	(21385485)	1	Connector kit	Obsolete part
2	21111688	1	* Flexible coupling	
3	21509611	1	* * Roller kit	Kit includes 4 pcs rubber rollers
4	965185	8	* Flange screw	
5	953067	2	* Stud	
6	971095	2	* Flange nut	
7	946752	10	* Flange screw	
8	941750	2	* Nipple	
9	976930	2	* Gasket	
10	963948	2	* Nipple	
11	3584428	2	* Hose	
12	3584439	1	* Bracket	
13	943481	2	* Hose clamp	
14	3584435	1	* Oil cooler	
15	961671	2	* Hose clamp	
16	961672	2	* Hose clamp	
17	969354	1	* Clamp	
18	946440	1	* Flange screw	
19	3889729	1	* Hose	
20	3588788	1	* Hose	
21	21328162	1	* Adapter	
22	924075	6	* Stud	
23	942336	6	* Spring washer	
24	40005753	1	* Wiring harness	
	3883882	1	Wiring harness	For earlier version.

D4-180I-B, D4-180I-C, D4-225I-B, D4-225I-C, D4-260I-A, D4-260I-B, D4-260I-C

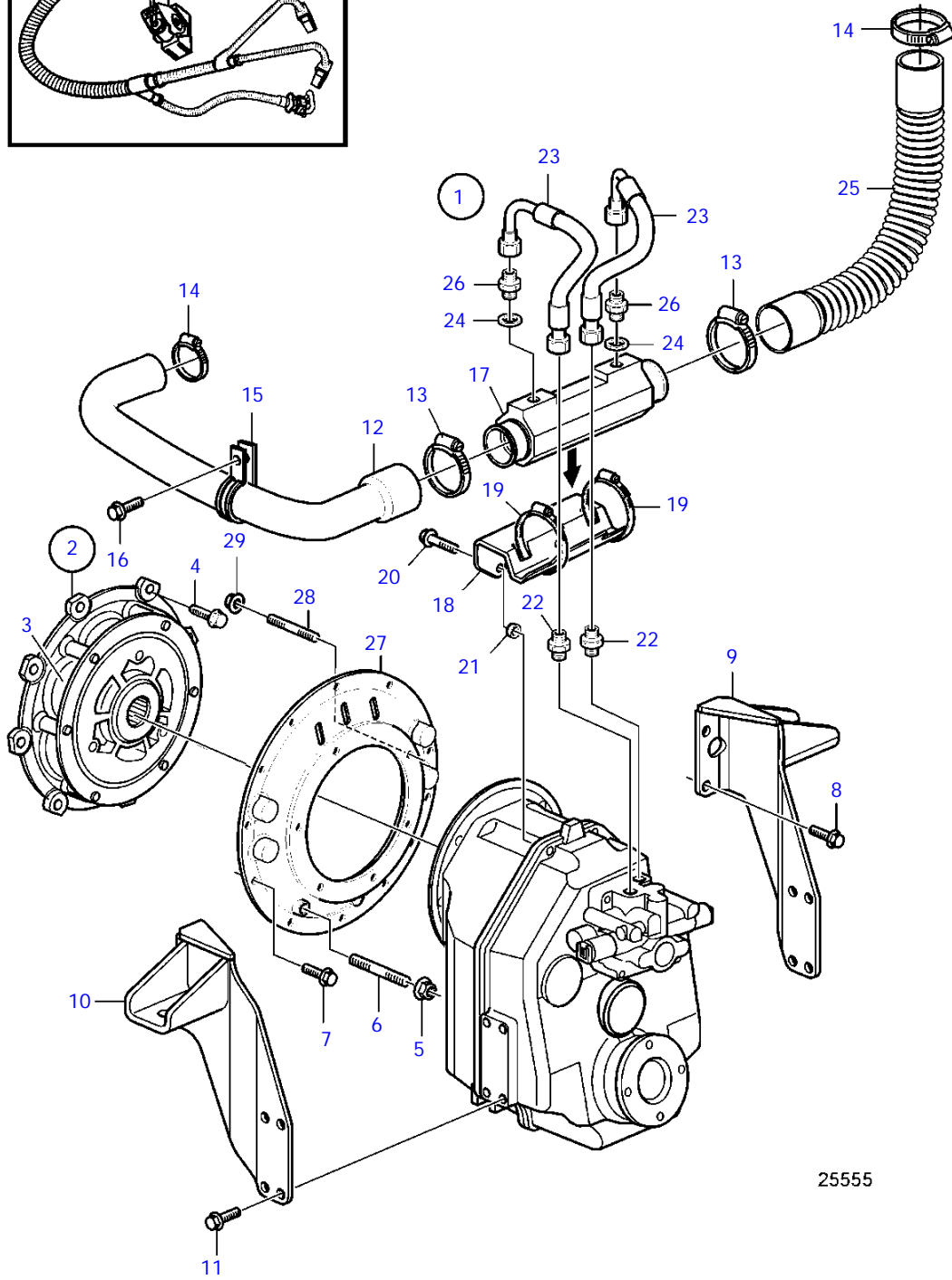
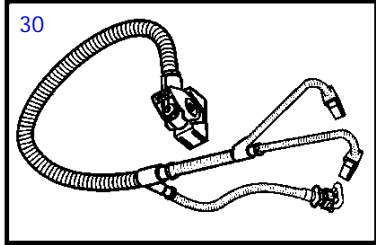


25229

D4-180I-B, D4-180I-C, D4-225I-B, D4-225I-C, D4-260I-A, D4-260I-B, D4-260I-C

REF	PART NO.	QTY	DESCRIPTION	NOTES
1		1	Connector kit	
2	21111688	1	* Flexible coupling	
3	21509613	1	* * Roller kit	Kit includes 4 pcs rubber rollers
4	965185	8	* Flange screw	
5	953067	2	* Stud	L=45mm
6	971095	2	* Flange nut	
7	946752	10	* Flange screw	L=35mm
8	965225	4	* Flange screw	L=35mm
9	3595292	1	* Bracket	S,B
10	3595300	1	* Bracket	P
11	965191	8	* Flange screw	L=30mm
12	3583844	1	* Hose	
13	961672	2	* Hose clamp	
14	961671	2	* Hose clamp	
15	969354	1	* Clamp	
16	946440	1	* Flange screw	L=16mm
17	3584434	1	* Oil cooler	
18	3584439	1	* Bracket	
19	943481	2	* Hose clamp	
20	965220	2	* Flange screw	L=45mm
21	842930	2	* Spacer sleeve	
22	941750	2	* Nipple	
23	3584428	2	* Hose	
24	976930	2	* Gasket	
25	3588788	1	* Hose	
26	963948	2	* Nipple	
27	40005753	1	* Wiring harness	
	3883882	1	Wiring harness	For earlier version.

D4-300I-A, D4-300I-C, D4-300I-D, D4-300I-E

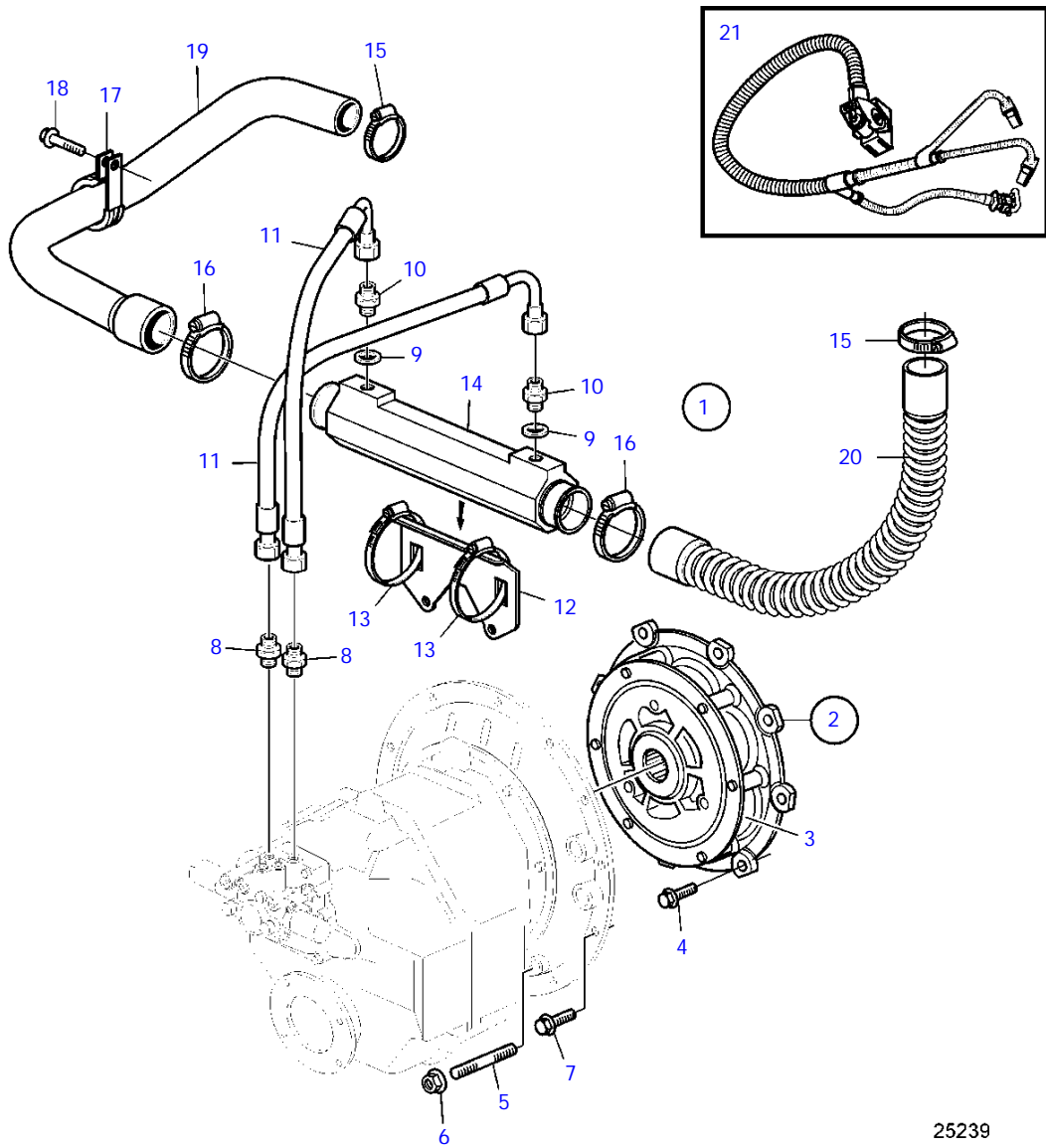


25555

D4-300I-A, D4-300I-C, D4-300I-D, D4-300I-E

REF	PART NO.	QTY	DESCRIPTION	NOTES
1		1	Connector kit	
2	21111688	1	* Flexible coupling	
3	21509613	1	* * Roller kit	Kit includes 4 pcs rubber rollers
4	965185	8	* Flange screw	
5	953067	2	* Stud	L=45mm
6	971095	2	* Flange nut	
7	946752	10	* Flange screw	L=35mm
8	965225	4	* Flange screw	L=35mm
9	3595292	1	* Bracket	S,B
10	3595300	1	* Bracket	P
11	965191	8	* Flange screw	L=30mm
12	3889729	1	* Hose	
13	961672	2	* Hose clamp	
14	961671	2	* Hose clamp	
15	969354	1	* Clamp	
16	946440	1	* Flange screw	L=16mm
17	3584435	1	* Oil cooler	
18	3584475	1	* Bracket	
19	943481	2	* Hose clamp	
20	965220	2	* Flange screw	L=45mm
21	842930	2	* Spacer sleeve	
22	941750	2	* Nipple	
23	3584428	2	* Hose	
24	976930	2	* Gasket	
25	3588788	1	* Hose	
26	963948	2	* Nipple	
27	3584253	1	* Cover	
28	924075	6	* Stud	
29	971095	6	* Flange nut	
30	40005753	1	* Wiring harness	
	3883882	1	Wiring harness	For earlier version.

D4-300I-A, D4-300I-C, D4-300I-D, D4-300I-E

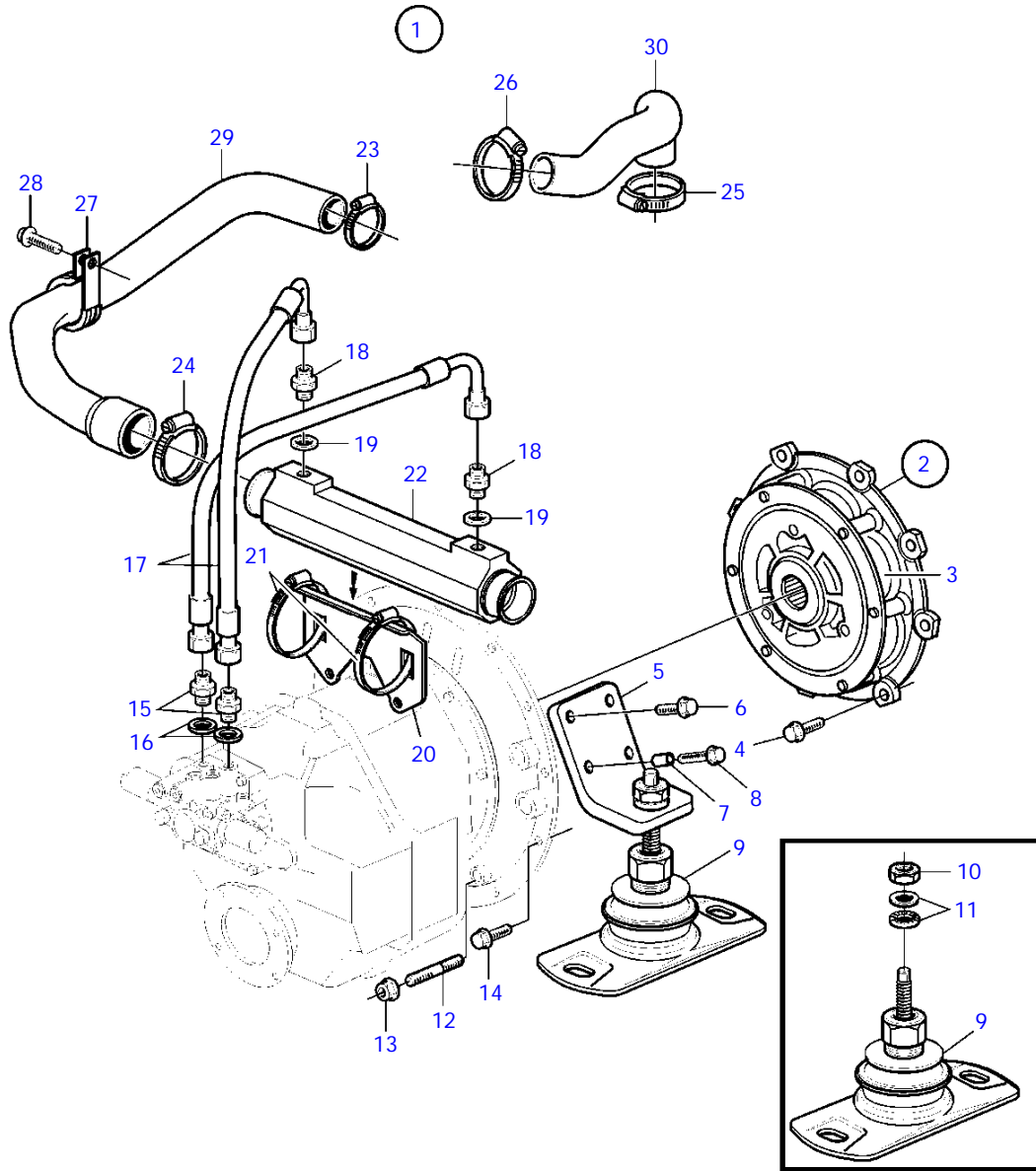


25239

D4-300I-A, D4-300I-C, D4-300I-D, D4-300I-E

REF	PART NO.	QTY	DESCRIPTION	NOTES
1		1	Connector kit	
2	21111688	1	* Flexible coupling	
3	21509613	1	* * Roller kit	Kit includes 4 pcs rubber rollers
4	965185	8	* Flange screw	
5	953067	2	* Stud	
6	971095	2	* Flange nut	
7	946752	10	* Flange screw	
8	941750	2	* Nipple	
9	976930	2	* Gasket	
10	963948	2	* Nipple	
11	3584428	2	* Hose	
12	3584440	1	* Bracket	
13	943481	2	* Hose clamp	
14	3584435	1	* Oil cooler	
15	961671	2	* Hose clamp	
16	961672	2	* Hose clamp	
17	969354	1	* Clamp	
18	946440	1	* Flange screw	
19	3889729	1	* Hose	
20	3588788	1	* Hose	
21	40005753	1	* Wiring harness	

D4-300I-A

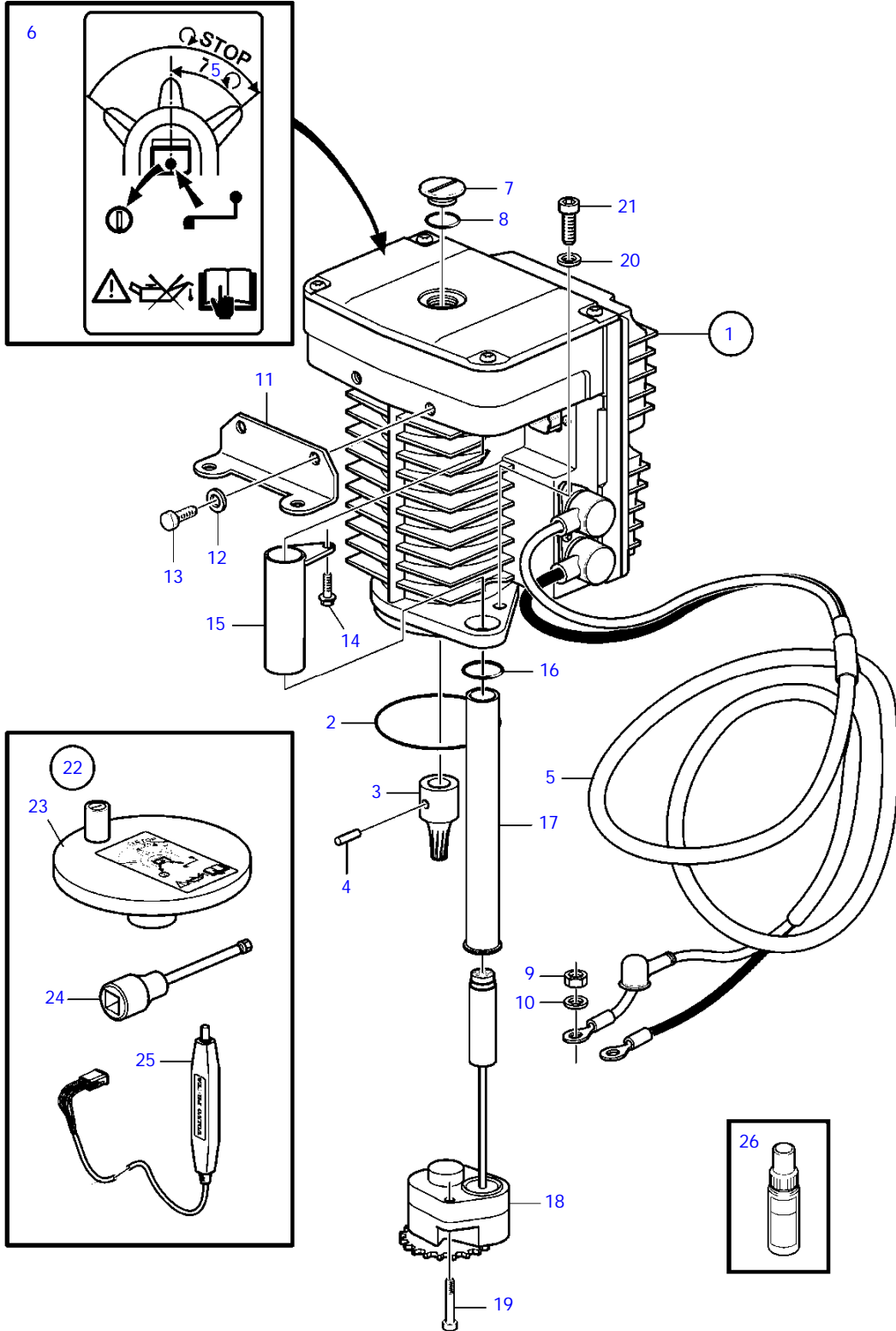


25240

D4-300I-A

REF	PART NO.	QTY	DESCRIPTION	SEE SEC.	NOTES
1		1	Connector kit		
2	3583843	1	* Flexible coupling		
3	21509613	1	* * Roller kit		Kit includes 4 pcs rubber rollers
4	965185	8	* Flange screw		
5	3583620	1	* Engine bracket		
6	984709	2	* Flange screw		
7	973528	2	* Spacer sleeve		
8	984956	2	* Flange screw		
9	3595043	4	* Rubber cushion		
			* Bulletin P-21-8-1	P-21-8-1-EN	Comfort Engine Suspension
			* Bulletin P-08-2-2	P-08-2-2-EN	Measuring Gauge for Rubber Mounts
10	955786	1	* * Hexagon nut		
11	847766	1	* * Lock washer		
12	953067	2	* Stud		
13	971095	2	* Flange nut		
14	946752	10	* Flange screw		
15	941750	2	* Nipple		
16	11978	2	* Washer		
17	3584428	2	* Hose		
18	963948	2	* Nipple		
19	976930	2	* Gasket		
20	3584440	1	* Bracket		
21	943481	2	* Hose clamp		
22	3584435	1	* Oil cooler		
23	961671	1	* Hose clamp		
24	961672	1	* Hose clamp		
25	943478	1	* Hose clamp		
26	943479	1	* Hose clamp		
27	969354	1	* Clamp		
28	946440	1	* Flange screw		
29	3889729	1	* Hose		
30	388922	1	* Hose		

D4-260D-B, D4-260D-C, D4-300D-A, D4-300D-C

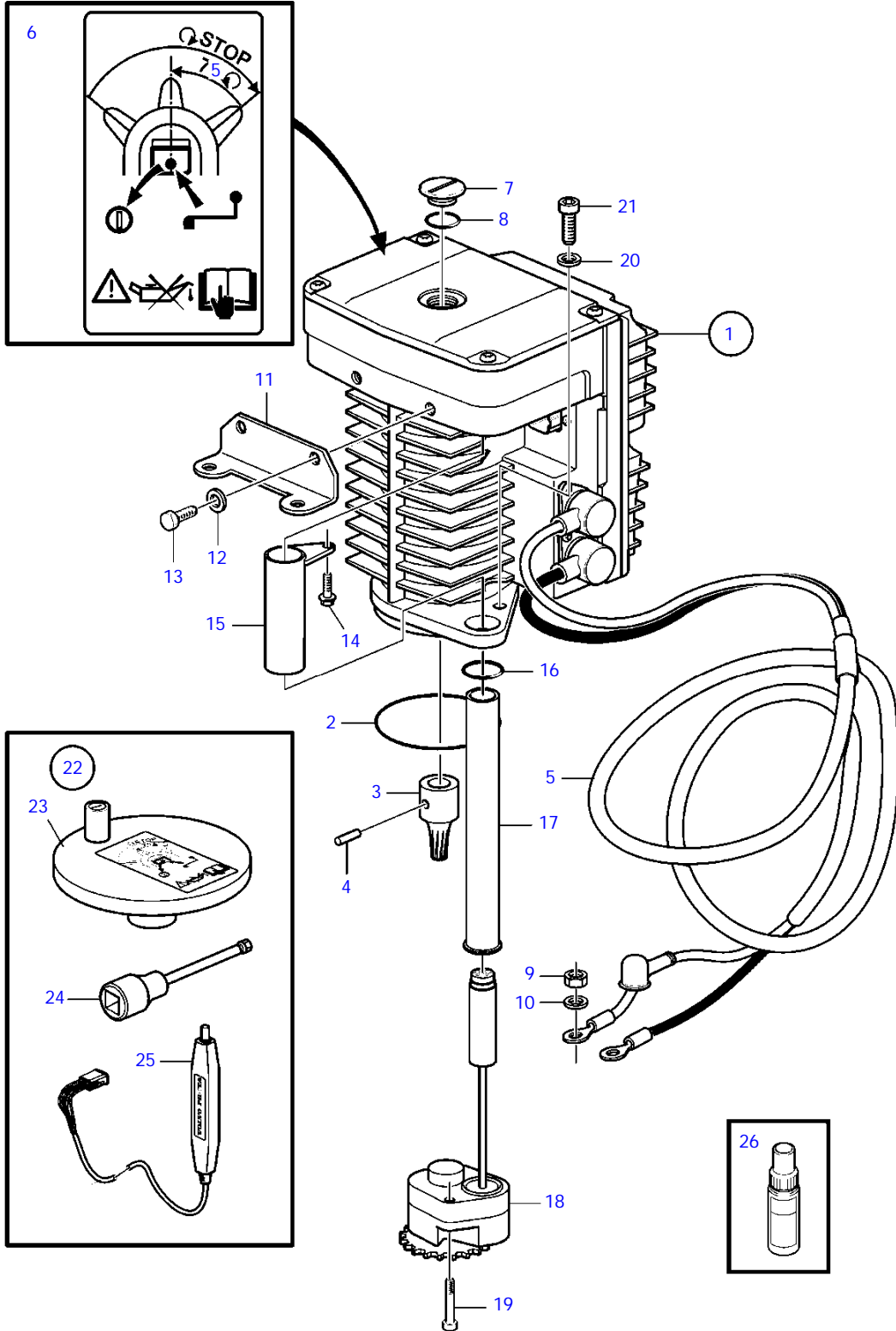


23526

D4-260D-B, D4-260D-C, D4-300D-A, D4-300D-C

REF	PART NO.	QTY	DESCRIPTION	NOTES
1	3801113	1	Servo unit	EVC-C, SN-3194005811
	3801290	1	Servo unit	EVC-C, SN3194005812-
	3809285	1	Software	Vodia-programming. This p/n can not be ordered, but will be used for invoicing.
	3809286	1	Software	Warehouse programming. This p/n can not be ordered, but will be used for invoicing.
2	925258	1	* O-ring	
3	3588108	1	* Sun gear	
4	949796	1	* Spring pin	
5	888553	1	* Cable	Std
	3807917	1	* Cable	Jackshaft
6	3809619	1	* Decal	
7	3809775	1	* Closure	
8	955994	1	* O-ring	
9	983715	2	Hexagon nut	
10	941907	2	Spring washer	
11	21161108	1	Bracket	
12	941670	2	Washer	
13	984697	2	Hexagon screw	
14	945358	1	Flange screw	
15	3587842	1	Tube	
16	949657	1	O-ring	
17	3862558	1	Tube	
18	3594642	1	Sensor kit	SN-3194005811
	21147917	1	Sensor kit, kit	SN3194005812-
19	959207	2	Hex. socket screw	
20	946541	2	Hex. socket screw	
21	941670	2	Washer	
22	3812065	1	Kit	
23	3809570	1	* Crank	
24	3863070	1	* Tool	
25	(3812541)	1	* Breaker	
26	9434520	1	Locking fluid	Use for area between resolver and SUS.

D4-260D-B, D4-260D-C, D4-260D-D, D4-300D-A, D4-300D-C, D4-300D-D, D4-260D-E, D4-300D-E

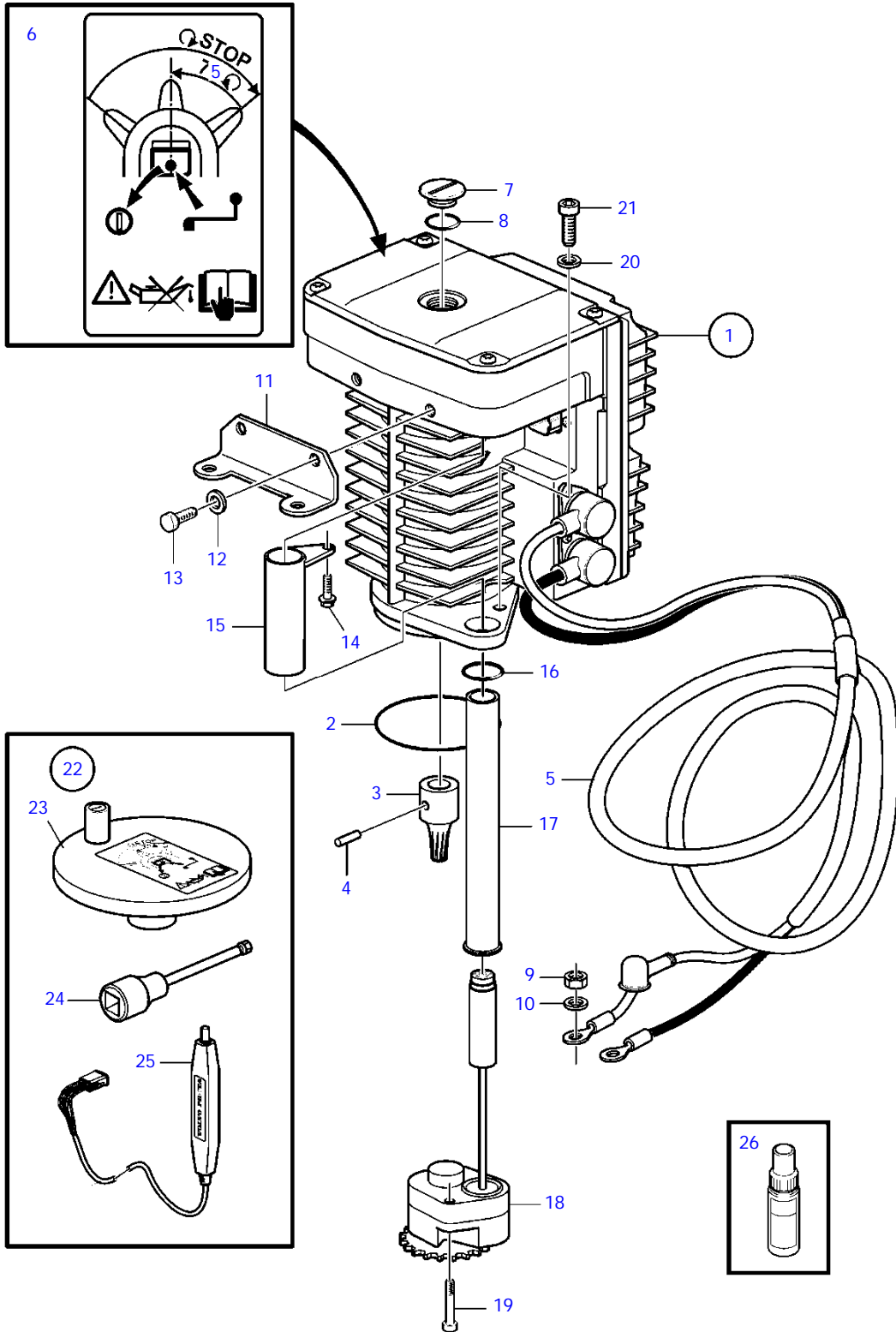


23526

D4-260D-B, D4-260D-C, D4-260D-D, D4-300D-A, D4-300D-C, D4-300D-D, D4-260D-E, D4-300D-E

REF	PART NO.	QTY	DESCRIPTION	NOTES
1	3801362	1	Servo unit, exch	EVC-C
	3809285	1	Software	Vodia-programming. This p/n can not be ordered, but will be used for invoicing.
	3809286	1	Software	Warehouse programming. This p/n can not be ordered, but will be used for invoicing.
2	925258	1	* O-ring	
3	3588108	1	* Sun gear	
4	949796	1	* Spring pin	
5	888553	1	* Cable	Std
	3807917	1	* Cable	Jackshaft
6	3809619	1	* Decal	
7	3809775	1	* Closure	
8	955994	1	* O-ring	
9	983715	2	Hexagon nut	
10	941907	2	Spring washer	
11	21408647	1	Bracket	
12	941670	2	Washer	
13	984697	2	Hexagon screw	
14	945358	1	Flange screw	
15	3587842	1	Tube	
16	949657	1	O-ring	
17	3862558	1	Tube	
18	21147917	1	Sensor kit	
19	959207	2	Hex. socket screw	
20	946541	2	Hex. socket screw	
21	941670	2	Washer	
22	3812065	1	Kit	
23	3809570	1	* Crank	
24	3863070	1	* Tool	
25	(3812541)	1	* Breaker	
26	9434520	1	Locking fluid	Use for area between resolver and SUS.

D4-260D-B, D4-260D-C, D4-260D-D, D4-300D-A, D4-300D-C, D4-300D-D, D4-260D-E, D4-300D-E

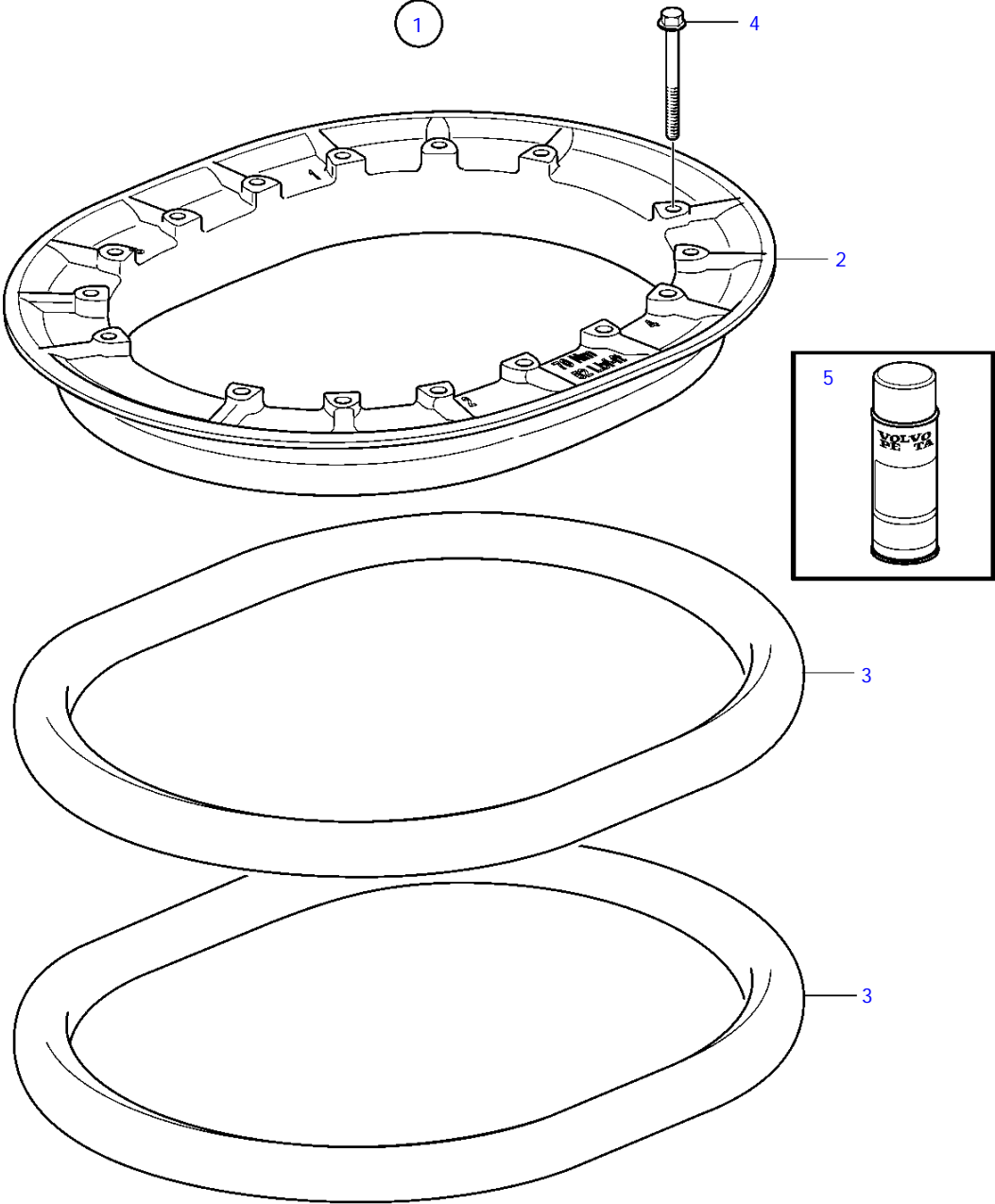


23526

D4-260D-B, D4-260D-C, D4-260D-D, D4-300D-A, D4-300D-C, D4-300D-D, D4-260D-E, D4-300D-E

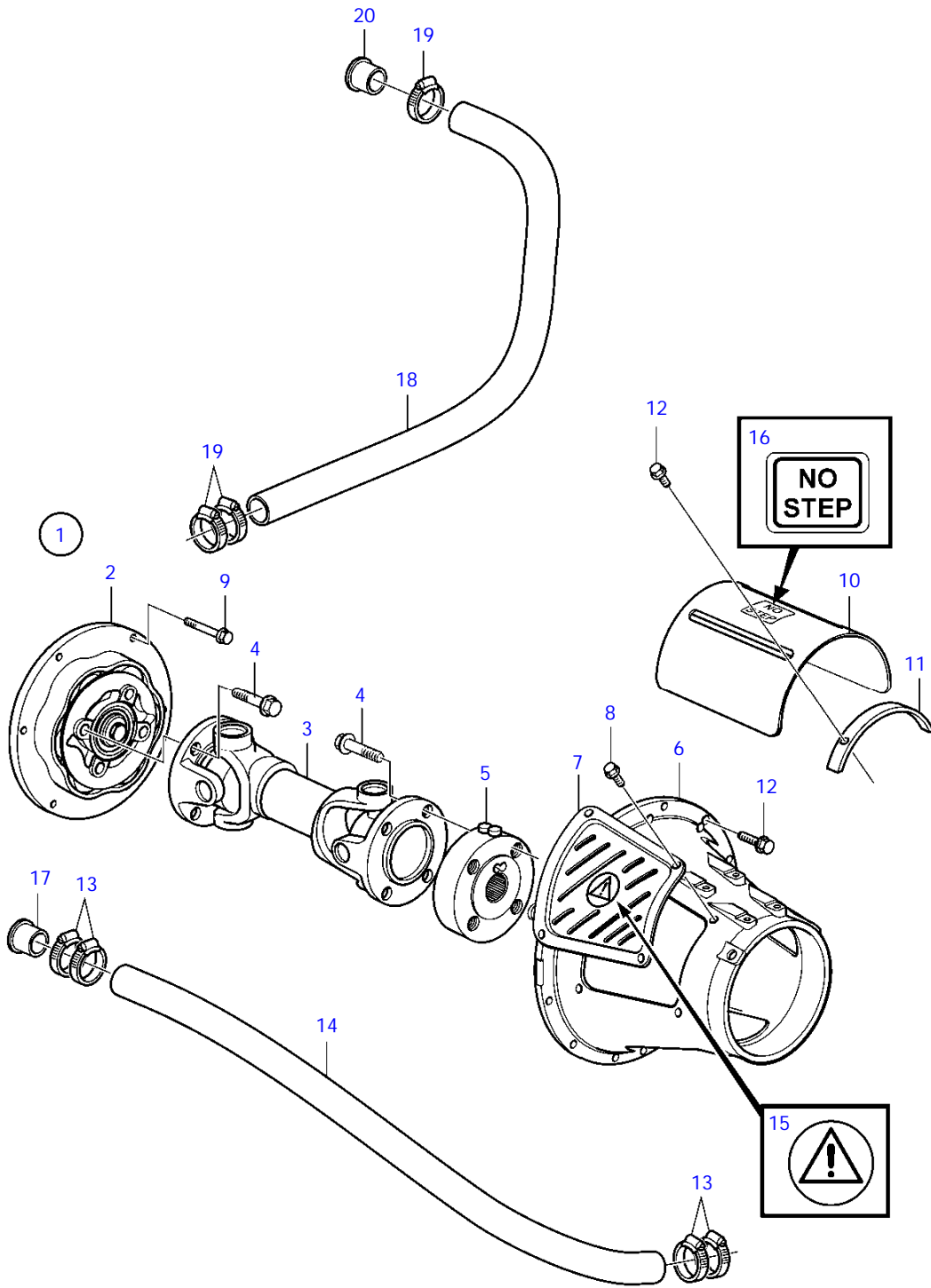
REF	PART NO.	QTY	DESCRIPTION	NOTES
1	3801402	1	Servo unit	EVC-D
	3809285	1	Software	Vodia-programming. This p/n can not be ordered, but will be used for invoicing.
	3809286	1	Software	Warehouse programming. This p/n can not be ordered, but will be used for invoicing.
2	925258	1	* O-ring	
3	3588108	1	* Sun gear	
4	949796	1	* Spring pin	
5	888553	1	* Cable	Std
	3807917	1	* Cable	Jackshaft
6	3809619	1	* Decal	
7	3809775	1	* Closure	
8	955994	1	* O-ring	
9	983715	2	Hexagon nut	
10	941907	2	Spring washer	
11	21408647	1	Bracket	
12	941670	2	Washer	
13	984697	2	Hexagon screw	
14	945358	1	Flange screw	
15	3587842	1	Tube	
16	949657	1	O-ring	
17	3862558	1	Tube	
18	21147917	1	Sensor kit	
19	959207	2	Hex. socket screw	
20	946541	2	Hex. socket screw	
21	941670	2	Washer	
22	3812065	1	Kit	
23	3809570	1	* Crank	
24	3863070	1	* Tool	
25	(3812541)	1	* Breaker	
26	9434520	1	Locking fluid	Use for area between resolver and SUS.

D4-260D-B, D4-260D-C, D4-260D-D, D4-300D-A, D4-300D-C, D4-300D-D, D4-260D-E, D4-300D-E



25748

D4-260D-B, D4-260D-C, D4-260D-D, D4-300D-A, D4-300D-C, D4-300D-D, D4-260D-E, D4-300D-E

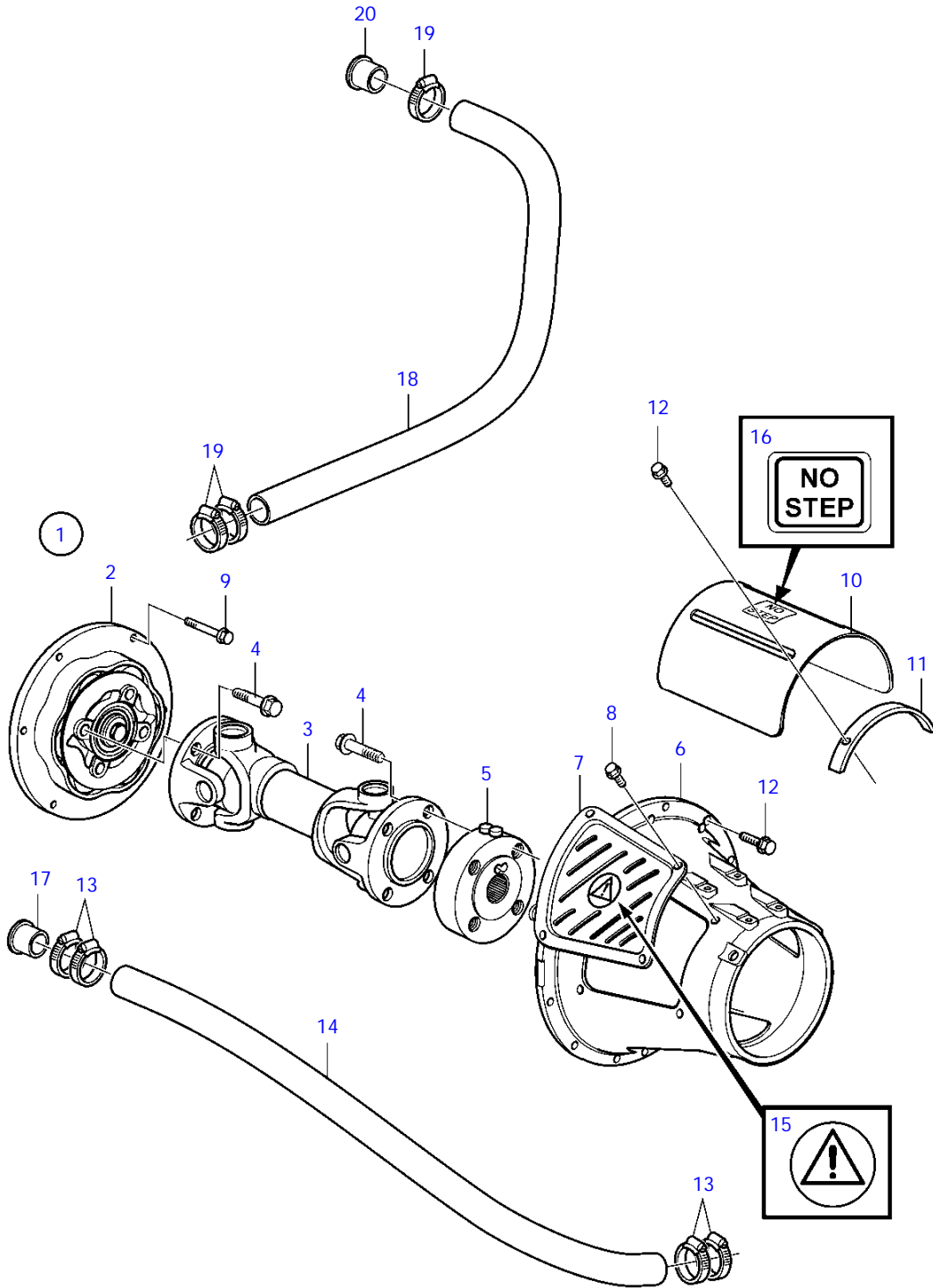


25827

D4-260D-B, D4-260D-C, D4-260D-D, D4-300D-A, D4-300D-C, D4-300D-D, D4-260D-E, D4-300D-E

REF	PART NO.	QTY	DESCRIPTION	NOTES
1	3818451	1	Clutch	Replaced by 3847980
	3847980	1	Clutch	Replaced by 21111686
	21111686	1	Flexible coupling	Replaced by 21393521
	21393521	1	Flexible coupling	
2	21509615	1	* Roller kit	Kit includes 6 pcs rubber rollers
3	3861048	1	Propeller shaft	L=335mm
4	465826	8	Screw	
5	3862153	1	Flange	
6	3861047	1	Protecting casing	Replaced by 21657788
	21657788	1	Protecting casing	
7	3862871	2	Protecting screen	
8	968476	8	Flange screw	L=13mm
9	965186	8	Flange screw	L=50mm
10	3862515	1	Protecting plate	
11	3862869	1	Tensioning ring	
12	946752	14	Flange screw	L=35mm
13	961672	4	Hose clamp	Std/Riser (3584038)
14	3819570	1	Hose	Replaced by 1140670
	1140670	X	Exhaust hose	
15	3817024	2	Decal	
16	841144	1	Decal	
17	3883983	1	Sleeve	Ratio 2.08:1
18	3819572	1	Hose	Ratio 1.94:1, Ratio 1.82:1, Std/Riser, Replaced by 1140670
	1140670	1	Exhaust hose	L=780mm
19	961672	3	Hose clamp	Ratio 1.94:1, Ratio 1.82:1
20	3819914	1	Sleeve	Ratio 1.94:1, Ratio 1.82:1

D4-260D-B, D4-260D-C, D4-260D-D, D4-300D-A, D4-300D-C, D4-300D-D, D4-260D-E, D4-300D-E

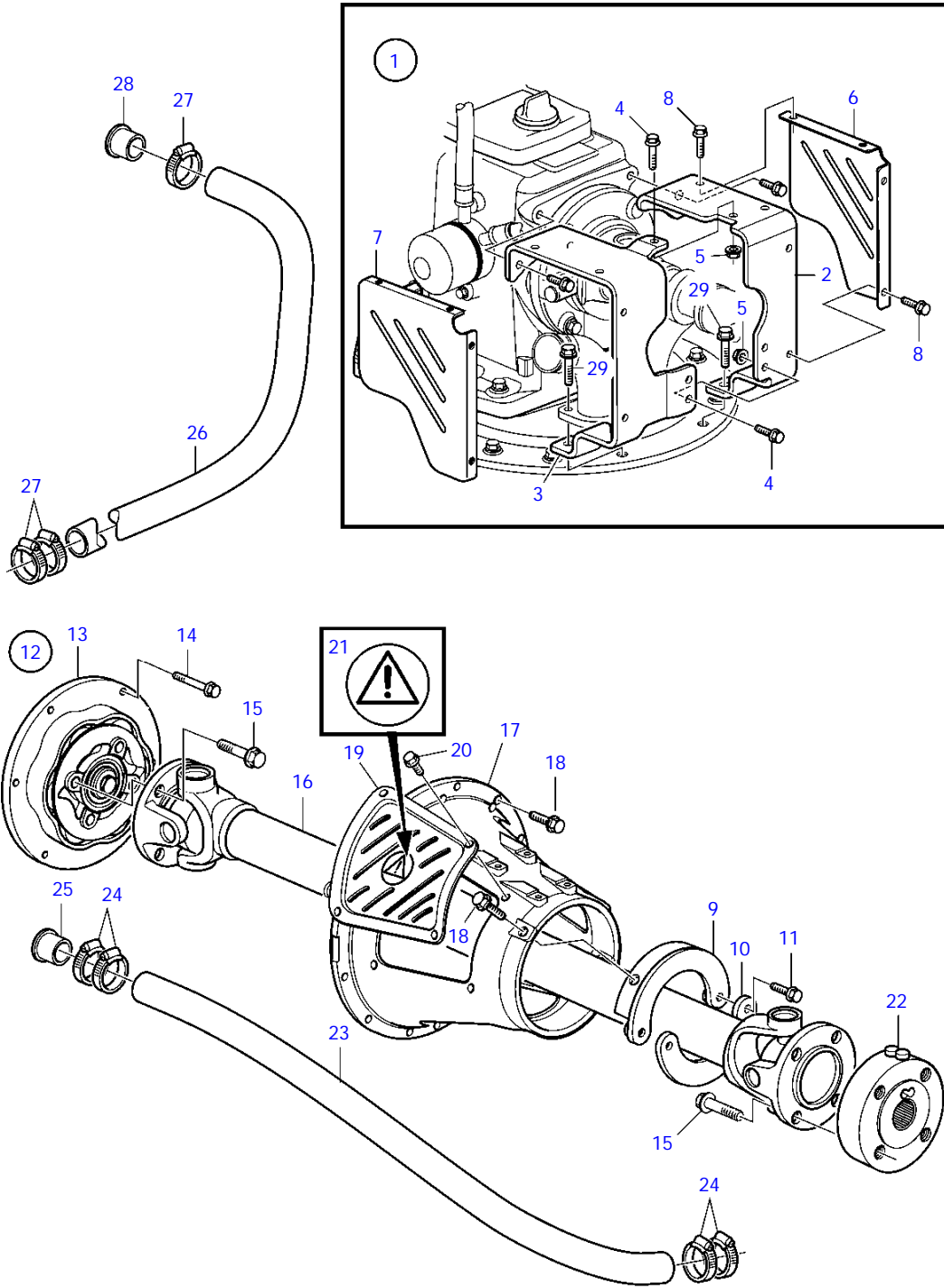


25827

D4-260D-B, D4-260D-C, D4-260D-D, D4-300D-A, D4-300D-C, D4-300D-D, D4-260D-E, D4-300D-E

REF	PART NO.	QTY	DESCRIPTION	NOTES
1	21111686	1	Flexible coupling	Replaced by 21393521
	21393521	1	Flexible coupling	
2	21509615	1	• Roller kit	Kit includes 6 pcs rubber rollers
3	3861048	1	Propeller shaft	L=335mm
4	465826	8	Screw	
5	3862153	1	Flange	
6	21657788	1	Protecting casing	
7	3862871	2	Protecting screen	
8	968476	8	Flange screw	L=13mm
9	965186	8	Flange screw	L=50mm
10	3862515	1	Protecting plate	
11	3862869	1	Tensioning ring	
12	946752	12	Flange screw	L=35mm
13	961672	4	Hose clamp	Std/Riser (3584038)
14	3819570	1	Hose	Replaced by 1140670
	1140670	X	Exhaust hose	
15	3817024	2	Decal	
16	841144	1	Decal	
17	3883983	1	Sleeve	Ratio 2.08:1
18	3819572	1	Hose	Ratio 1.94:1, Ratio 1.82:1, Std/Riser, Replaced by 1140670
	1140670	1	Exhaust hose	L=780mm
19	961672	3	Hose clamp	Ratio 1.94:1, Ratio 1.82:1
20	3819914	1	Sleeve	Ratio 1.94:1, Ratio 1.82:1

D4-260D-B, D4-260D-C, D4-260D-D, D4-300D-A, D4-300D-C, D4-300D-D, D4-260D-E, D4-300D-E

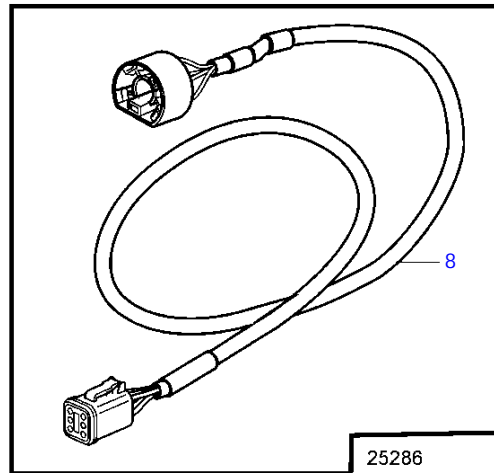
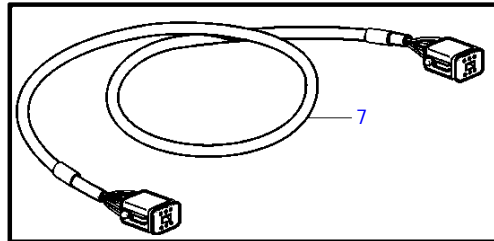
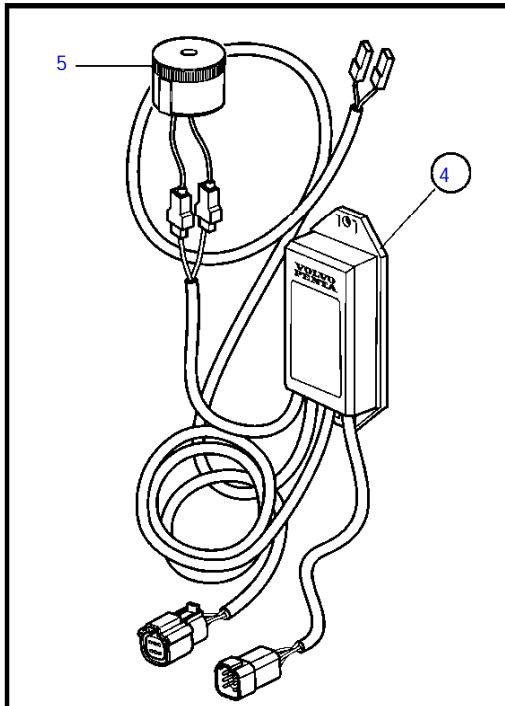
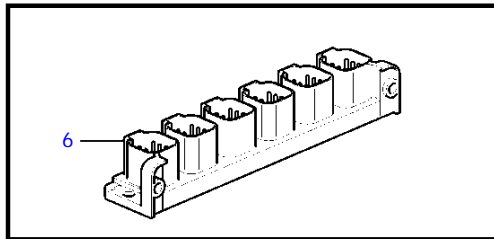
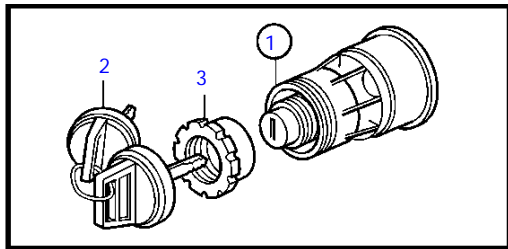


25828

D4-260D-B, D4-260D-C, D4-260D-D, D4-300D-A, D4-300D-C, D4-300D-D, D4-260D-E, D4-300D-E

REF	PART NO.	QTY	DESCRIPTION	NOTES
1		1	Safety catch	
2	3812835	1	* Bracket	Port
3	3812812	1	* Bracket	Starboard
4	946472	5	* Flange screw	
5	971095	3	* Flange nut	
6	21496784	1	* Cardboard tube	
7	3812863	1	* Cardboard tube	
8	946173	8	* Flange screw	
9	3594012	1	* Safety catch	(3817570)
10	3817572	1	* Plate	
11	946472	2	* Flange screw	
12	21111686	1	Flexible coupling	Replaced by 21393521
	21393521	1	Flexible coupling	
13	21509615	1	* Roller kit	Kit includes 6 pcs rubber rollers
14	965186	8	Flange screw	
15	465826	8	Screw	
16	3818295	1	Propeller shaft	L=570-650mm
	3818293	1	Propeller shaft	L=670-750mm
	3818292	1	Propeller shaft	L=770-850mm
	3818291	1	Propeller shaft	L=870-950mm
	3818290	1	Propeller shaft	L=970-1050mm
	3818289	1	Propeller shaft	L=1070-1150mm
	3818288	1	Propeller shaft	L=1170-1250mm
	3817454	1	Propeller shaft	L=1270-1350mm
	3817453	1	Propeller shaft	L=1370-1450mm
	3817452	1	Propeller shaft	L=1470-1550mm
	3817451	1	Propeller shaft	L=1570-1650mm
	3817450	1	Propeller shaft	L=1670-1750mm
17	21657788	1	Protecting casing	
18	946752	12	Flange screw	M10x35mm
19	3862871	2	Protecting screen	
20	968476	8	Flange screw	
21	3817024	2	Decal	
22	3862153	1	Flange	
23	3819573	1	Hose	Replaced by 1140670
	1140670	X	Exhaust hose	
24	961672	4	Hose clamp	
25	3883983	1	Sleeve	Ratio 2.08:1
26	3819572	1	Hose	Ratio 1.94:1, Ratio 1.82:1, Replaced by 1140670
	1140670	1	Exhaust hose	Ratio 1.94:1, Ratio 1.82:1
27	961672	3	Hose clamp	Ratio 1.94:1, Ratio 1.82:1
28	3819914	1	Sleeve	Ratio 1.94:1, Ratio 1.82:1
29		2	Screw	

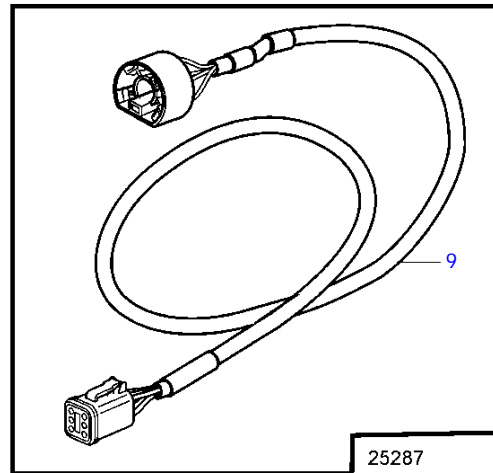
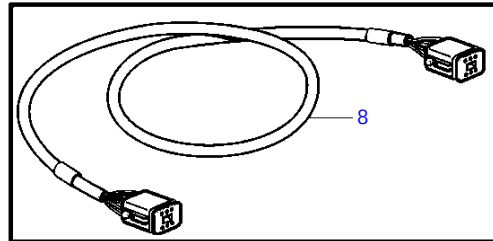
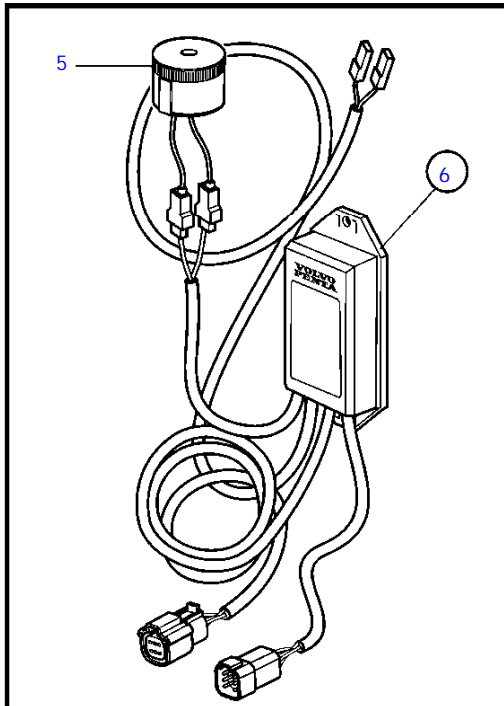
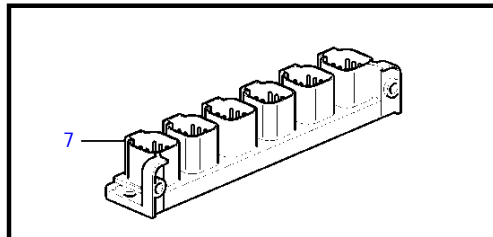
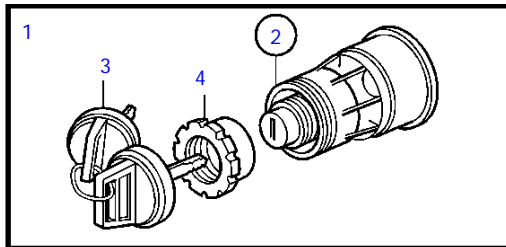
D4-180I-E, D4-225A-E, D4-225I-E, D4-260A-E, D4-260D-E, D4-260I-E, D4-300A-E, D4-300D-E, D4-300I-E



D4-180I-E, D4-225A-E, D4-225I-E, D4-260A-E, D4-260D-E, D4-260I-E, D4-300A-E, D4-300D-E, D4-300I-E

REF	PART NO.	QTY	DESCRIPTION	SEE SEC.	NOTES
1	3587071	1	Starter switch		
2	859955	1	• Plastic nut		
3	859953	1	• Key		State key code when ordering.
			• Bulletin 49-30	49-30-EN	Key P/N 859953
4	21461496	1	Network adapter		
5	3817974	1	• Alarm		
6	21469055	1	Connection block		
7	3886666	3	Cable		
8	881849	1	Wiring harness		

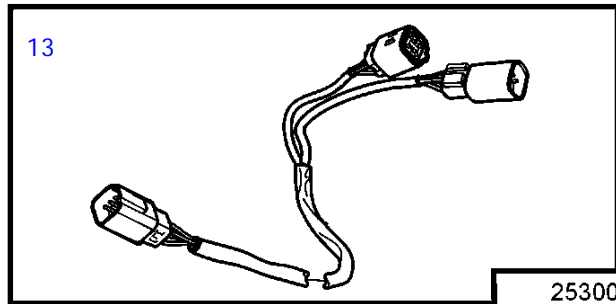
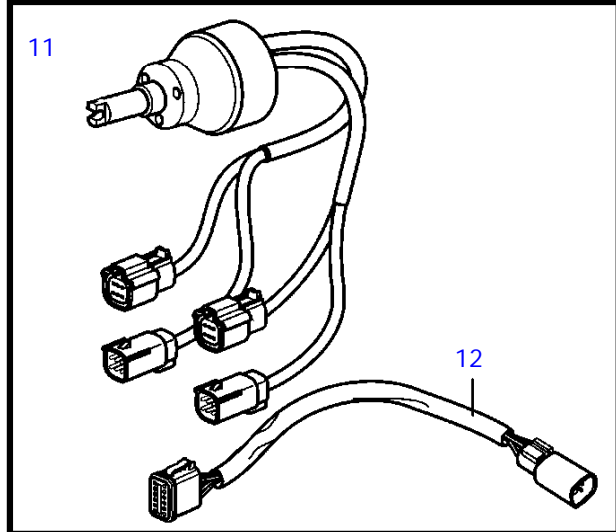
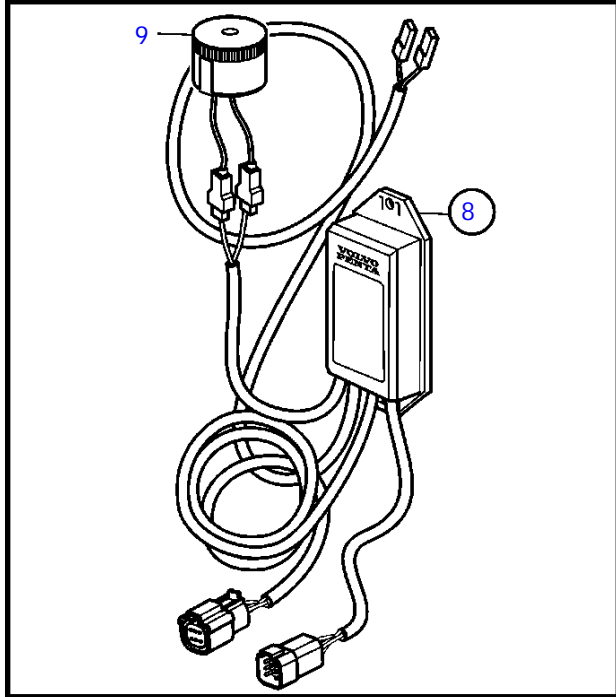
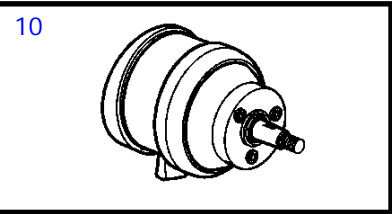
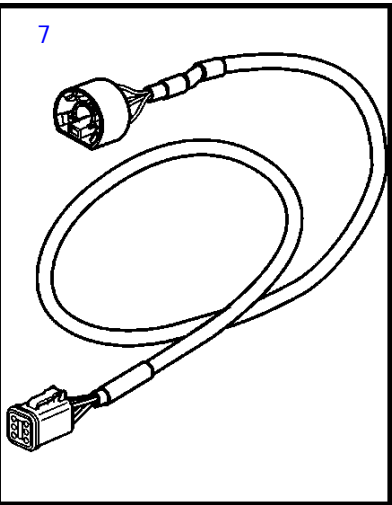
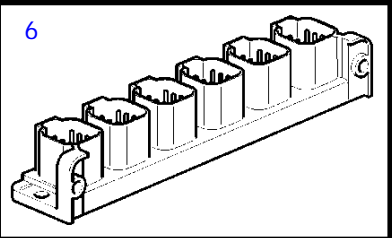
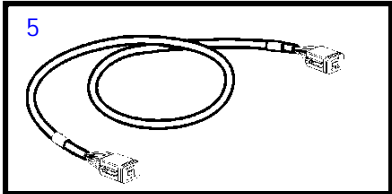
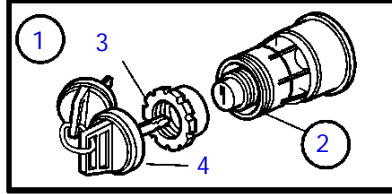
D4-180I-E, D4-225A-E, D4-225I-E, D4-260A-E, D4-260D-E, D4-260I-E, D4-300A-E, D4-300D-E, D4-300I-E



D4-180I-E, D4-225A-E, D4-225I-E, D4-260A-E, D4-260D-E, D4-260I-E, D4-300A-E, D4-300D-E, D4-300I-E

REF	PART NO.	QTY	DESCRIPTION	SEE SEC.	NOTES
1	3587070	1	Starter switch		Kit with 2 key switch with identical key.
2	3587071	1	* Starter switch		
3	859955	1	* * Plastic nut		
4	859953	2	* * Key		State key code when ordering.
			* Bulletin 49-30	49-30-EN	Key P/N 859953
5	21461496	2	Network adapter		
6	3817974	1	* Alarm		
7	21469055	1	Connection block		
8	3886666	5	Cable		
9	881849	2	Wiring harness		

D4-180I-E, D4-225A-E, D4-225I-E, D4-260A-E, D4-260I-E, D4-300A-E, D4-300I-E

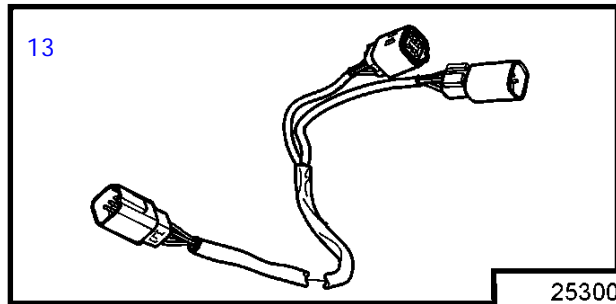
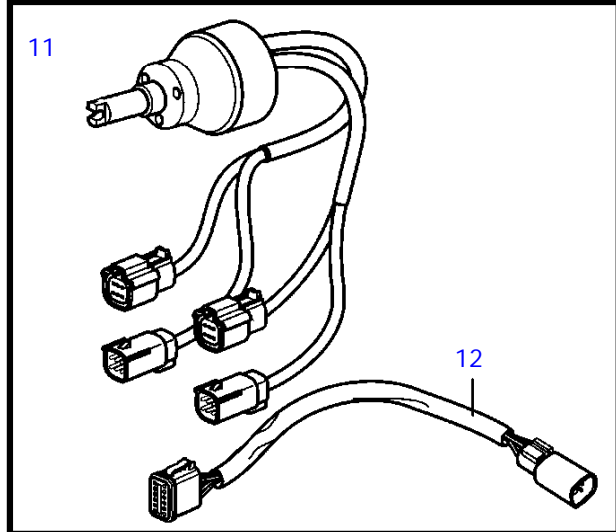
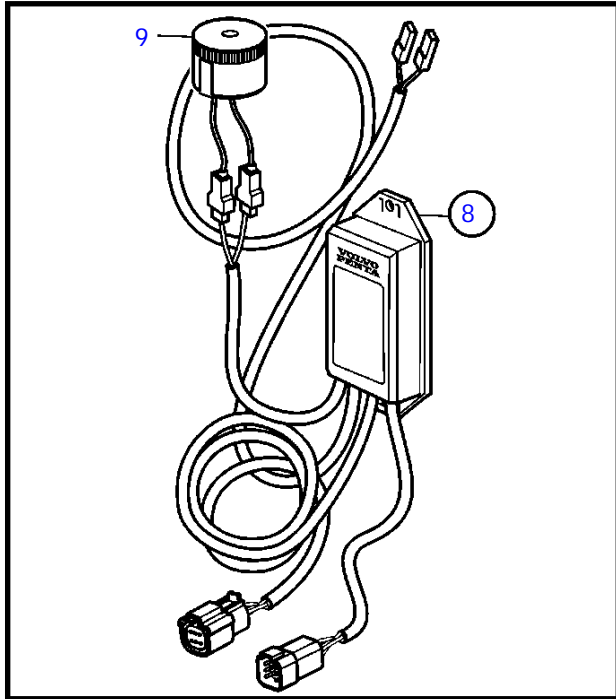
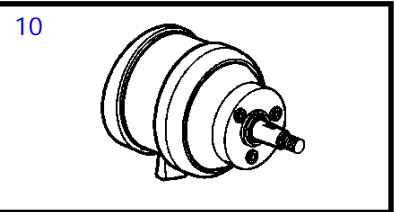
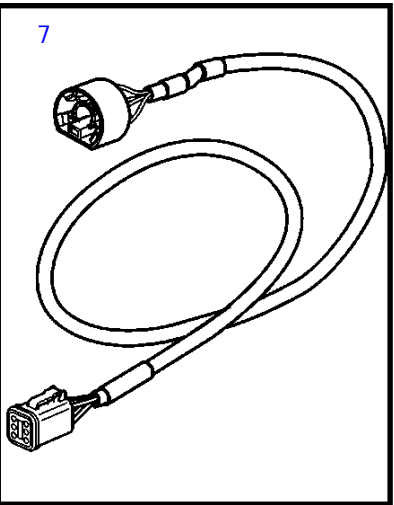
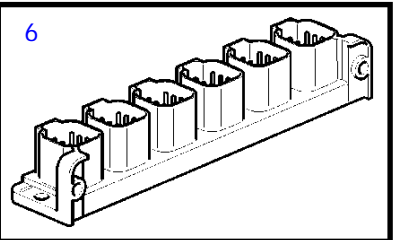
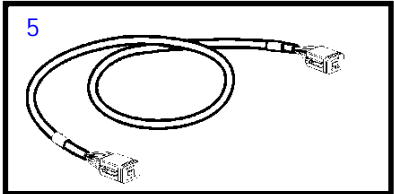
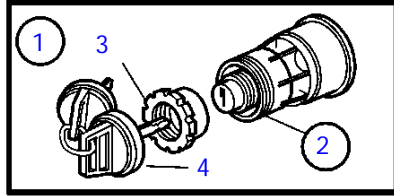


25300

D4-180I-E, D4-225A-E, D4-225I-E, D4-260A-E, D4-260I-E, D4-300A-E, D4-300I-E

REF	PART NO.	QTY	DESCRIPTION	SEE SEC.	NOTES
1	3587070	1	Starter switch, set		Kit with 2 key switch with identical key.
2	3587071	1	Starter switch		
3	859955	1	* Plastic nut		
4	859953	1	* Key		State key code when ordering.
			* Bulletin 49-30	49-30-EN	Key P/N 859953
5	3886666	5	Cable		
6	21469055	1	Connection block		
7	881849	1	Wiring harness		
8	21461496	2	Network adapter		
9	3817974	1	* Alarm		
10	3841280	1	Steering wheel adjus		
11	21469560	1	Steering wheel hub		
12	21421942	1	Cable		Alternative for EVC-C3
13	21421941	2	Cable		For EVC system and hub 21469560.

D4-180I-E, D4-225A-E, D4-225I-E, D4-260D-E, D4-260I-E, D4-300D-E, D4-300I-E

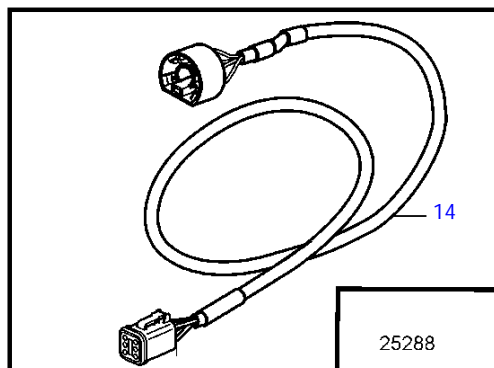
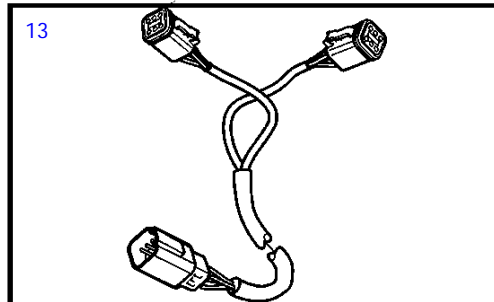
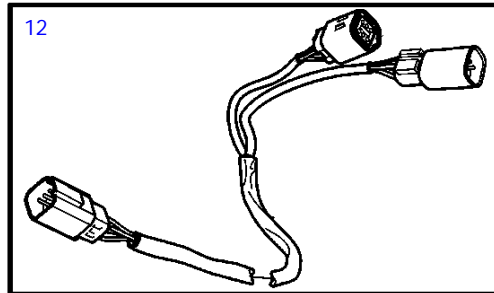
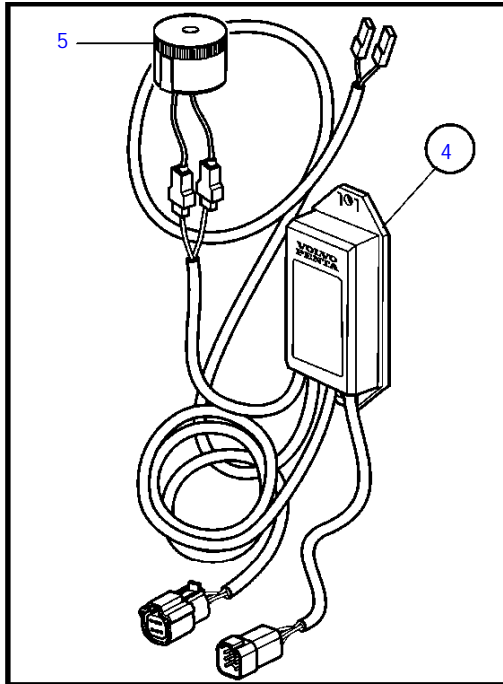
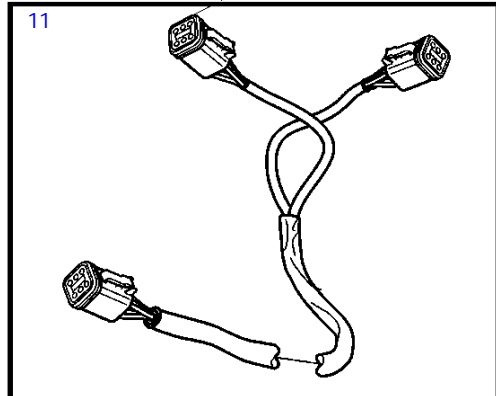
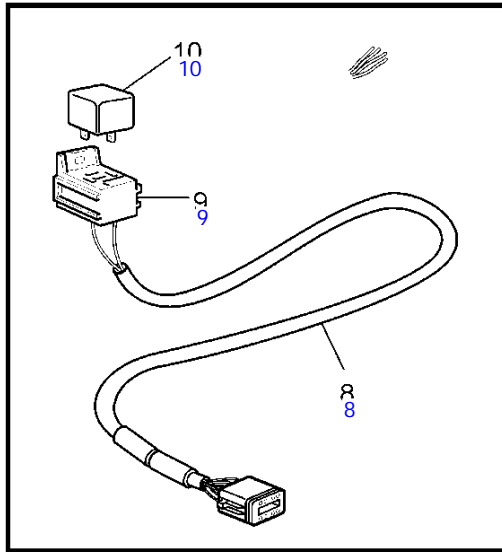
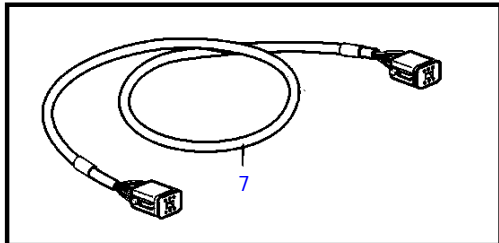
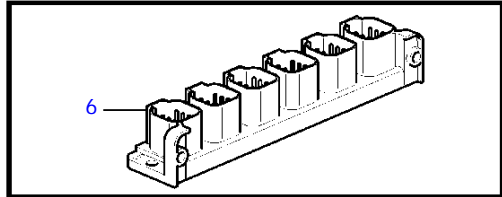
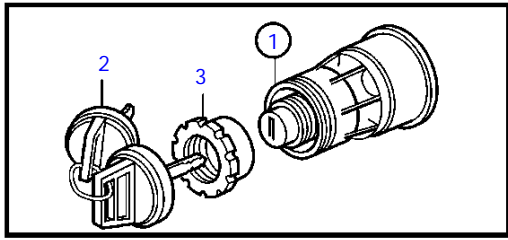


25300

D4-180I-E, D4-225A-E, D4-225I-E, D4-260D-E, D4-260I-E, D4-300D-E, D4-300I-E

REF	PART NO.	QTY	DESCRIPTION	SEE SEC.	NOTES
1	3587070	1	Starter switch, set		Kit with 2 key switch with identical key.
2	3587071	1	Starter switch		
3	859955	1	* Plastic nut		
4	859953	1	* Key		State key code when ordering.
			* Bulletin 49-30	49-30-EN	Key P/N 859953
5	3886666	5	Cable		
6	21469055	1	Connection block		
7	881849	1	Wiring harness		
8	21461496	2	Network adapter		
9	3817974	1	* Alarm		
10	3841280	1	Steering wheel adjus		
11	21469560	1	Steering wheel hub		
12	21421942	1	Cable		Alternative for EVC-C3
13	21421941	2	Cable		For EVC system and hub 21469560.

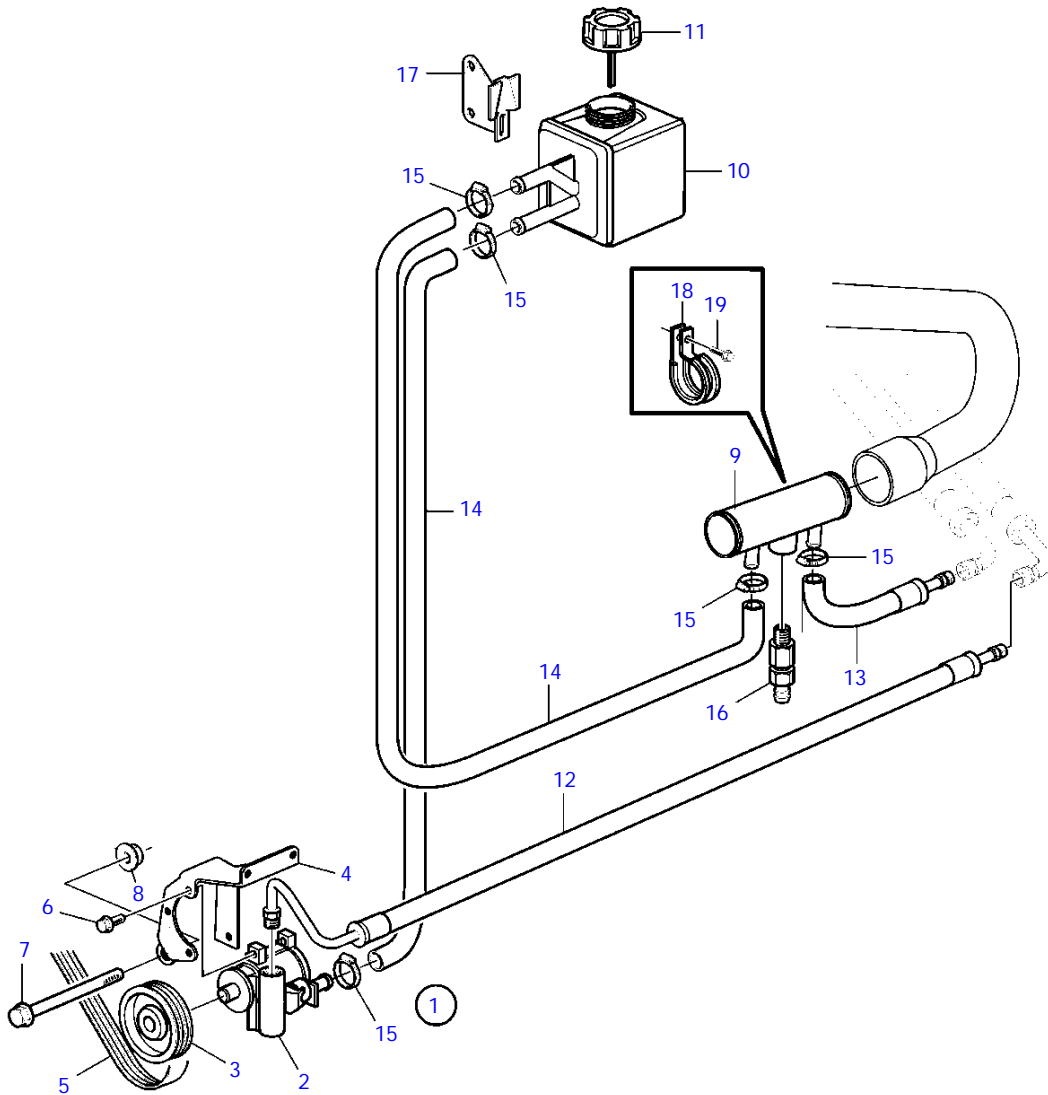
D4-180I-E, D4-225A-E, D4-225I-E, D4-260A-E, D4-260D-E, D4-260I-E, D4-300A-E, D4-300D-E, D4-300I-E



D4-180I-E, D4-225A-E, D4-225I-E, D4-260A-E, D4-260D-E, D4-260I-E, D4-300A-E, D4-300D-E, D4-300I-E

REF	PART NO.	QTY	DESCRIPTION	SEE SEC.	NOTES
1	3587071	3	Starter switch		
2	859955	1	* Plastic nut		
3	859953	2	* Key		State key code when ordering.
			* Bulletin 49-30	49-30-EN	Key P/N 859953
4	21461496	3	Network adapter		
5	3817974	1	* Alarm		
6	21469055	2	Connection block		
7	3886666	7	Cable		
8	21450563	2	Cable		
9	977184	1	* Housing		
10	873765	1	* Relay		12V
	3171420	1	* Relay		24V
11	21287072	1	Wiring harness		
12	21421941	2	Cable		
13	21427460	1	Cable		
14	881849	3	Wiring harness		

D4-180I-B, D4-210A-A, D4-210A-B, D4-210I-A, D4-210I-B, D4-225A-B, D4-225I-B, D4-260A-A, D4-260A-B, D4-260I-A, D4-260I-B, D4-300A-A, D4-300I-A

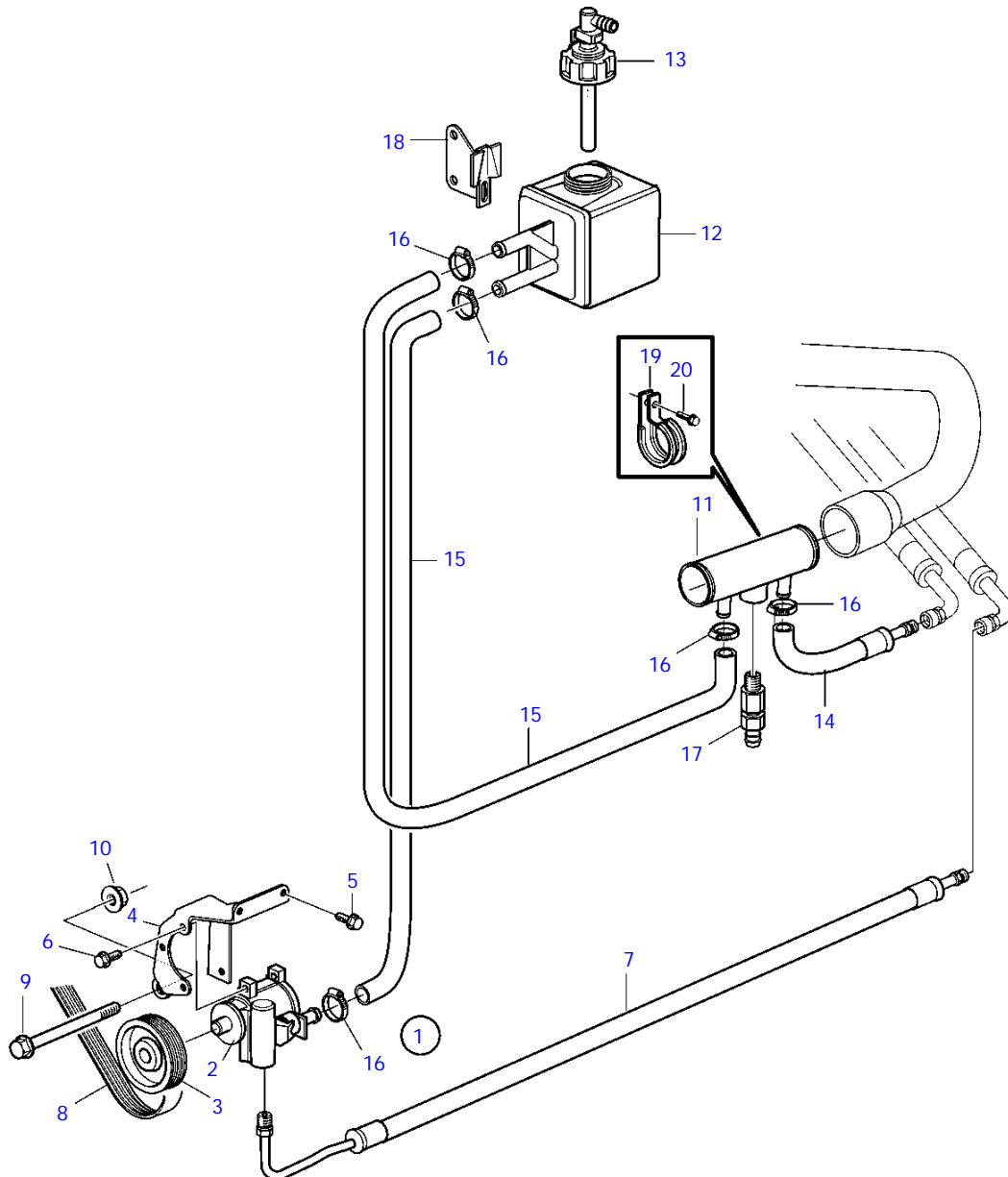


25542

D4-180I-B, D4-210A-A, D4-210A-B, D4-210I-A, D4-210I-B, D4-225A-B, D4-225I-B, D4-260A-A, D4-260A-B, D4-260I-A, D4-260I-B, D4-300A-A, D4-300I-A

REF	PART NO.	QTY	DESCRIPTION	NOTES
1	(3583737)	1	Pump	Obsolete part
2	1359649	1	* Power steering pump	
3	3583030	1	* Pulley	
4	3583676	1	Bracket	
5	3582696	1	V-ribbed belt	
6	946440	5	Flange screw	
7	946474	1	Flange screw	
8	971096	1	Flange nut	
9	3584243	1	Radiator	
10	3863190	1	Reservoir	
11	3863122	1	Cover	
12	889428	1	Hydraulic hose	(889427)
13	3808486	1	Hydraulic hose	(889430)
14	941995	X	Hose	L=2,5m
15	961664	3	Hose clamp	
	961666	2	Hose clamp	
16	949918	1	Shut-off cock	
17	856768	1	Bracket	
18	984474	1	Clamp	
19	946440	1	Flange screw	

D4-180I-B, D4-180I-C, D4-180I-D, D4-210A-A, D4-210A-B, D4-210I-A, D4-210I-B, D4-225A-B, D4-225A-C, D4-225A-D, D4-225I-B, D4-225I-C, D4-225I-D, D4-260A-A, D4-260A-B, D4-260A-C, D4-260A-D, D4-260D-B, D4-260D-C, D4-260D-D, D4-260I-A, D4-260I-B, D4-260I-C, D4-260I-D, D4-300A-A, D4-300A-C, D4-300A-D, D4-300D-A, D4-300D-C, D4-300D-D, D4-300I-A, D4-300I-C, D4-300I-D, D4-180I-E, D4-225A-E, D4-225I-E, D4-260A-E, D4-260D-E, D4-260I-E, D4-300A-E, D4-300D-E, D4-300I-E

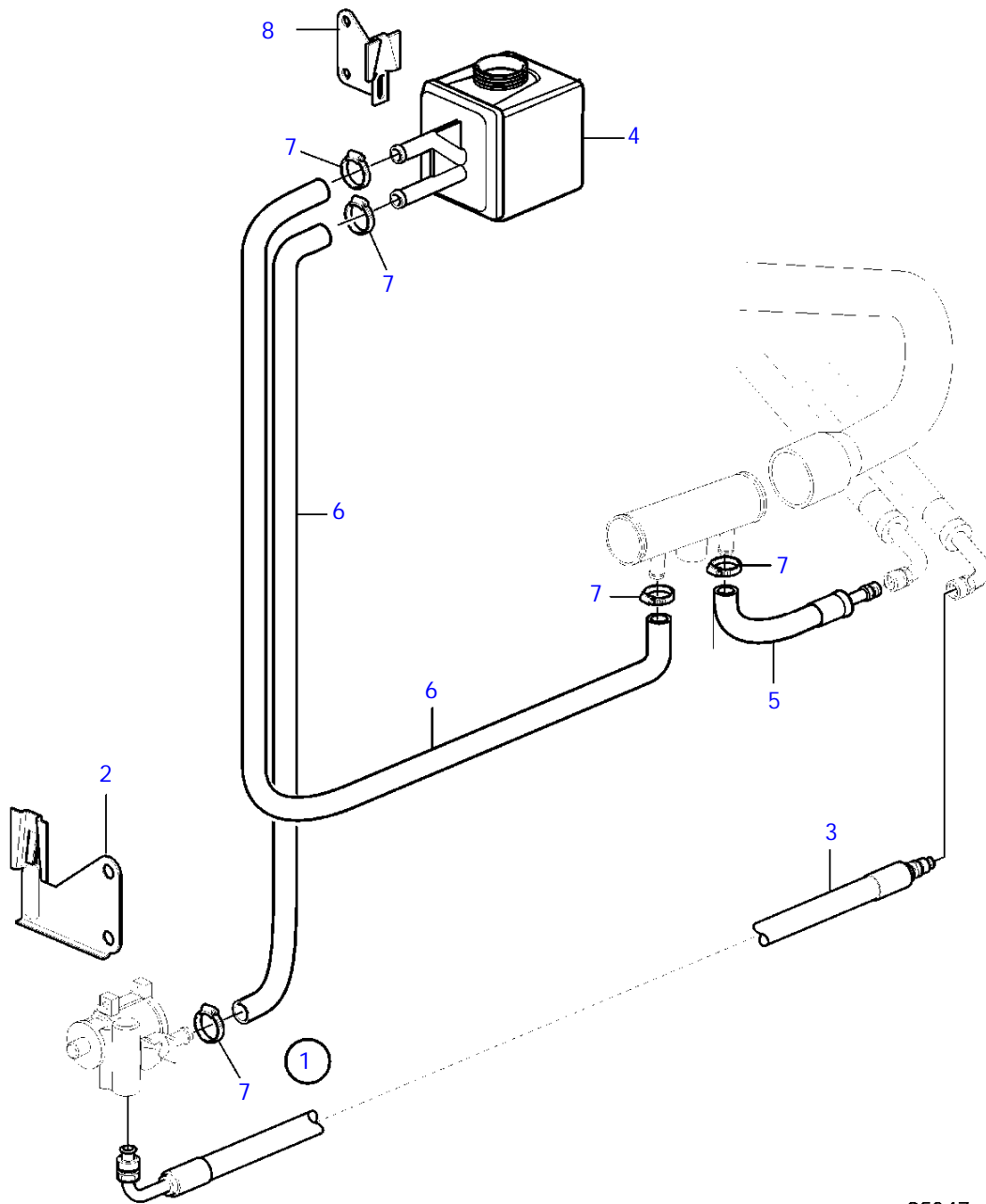


26113

D4-180I-B, D4-180I-C, D4-180I-D, D4-210A-A, D4-210A-B, D4-210I-A, D4-210I-B, D4-225A-B, D4-225A-C, D4-225A-D, D4-225I-B, D4-225I-C, D4-225I-D, D4-260A-A, D4-260A-B, D4-260A-C, D4-260A-D, D4-260D-B, D4-260D-C, D4-260D-D, D4-260I-A, D4-260I-B, D4-260I-C, D4-260I-D, D4-300A-A, D4-300A-C, D4-300A-D, D4-300D-A, D4-300D-C, D4-300D-D, D4-300I-A, D4-300I-C, D4-300I-D, D4-180I-E, D4-225A-E, D4-225I-E, D4-260A-E, D4-260D-E, D4-260I-E, D4-300A-E, D4-300D-E, D4-300I-E

REF	PART NO.	QTY	DESCRIPTION	NOTES
1	21474337	1	Power steering pump	
2	21317314	1	* Pump	
3	21299963	1	* Pulley	
4	21279536	1	* Bracket	
5	946025	2	* Flange screw	
6	946440	3	* Flange screw	
7	21287109	1	* Hydraulic hose	
	21342749	1	Hydraulic hose	For jackshaft
8	21407028	1	V-ribbed belt	
9	946474	1	Flange screw	
10	971096	1	Flange nut	
11	3584243	1	Radiator	
12	3863190	1	Reservoir	
13	3863122	1	Cover	
14	3808486	1	Hydraulic hose	(889430)
15	941995	X	Hose	L=2,5m
16	961664	3	Hose clamp	
	961666	2	Hose clamp	
17	949918	1	Shut-off cock	
18	856768	1	Bracket	
19	984474	1	Clamp	
20	946440	1	Flange screw	

D4-225A-D, D4-260A-D, D4-300A-D, D4-225A-E, D4-260A-E, D4-300A-E



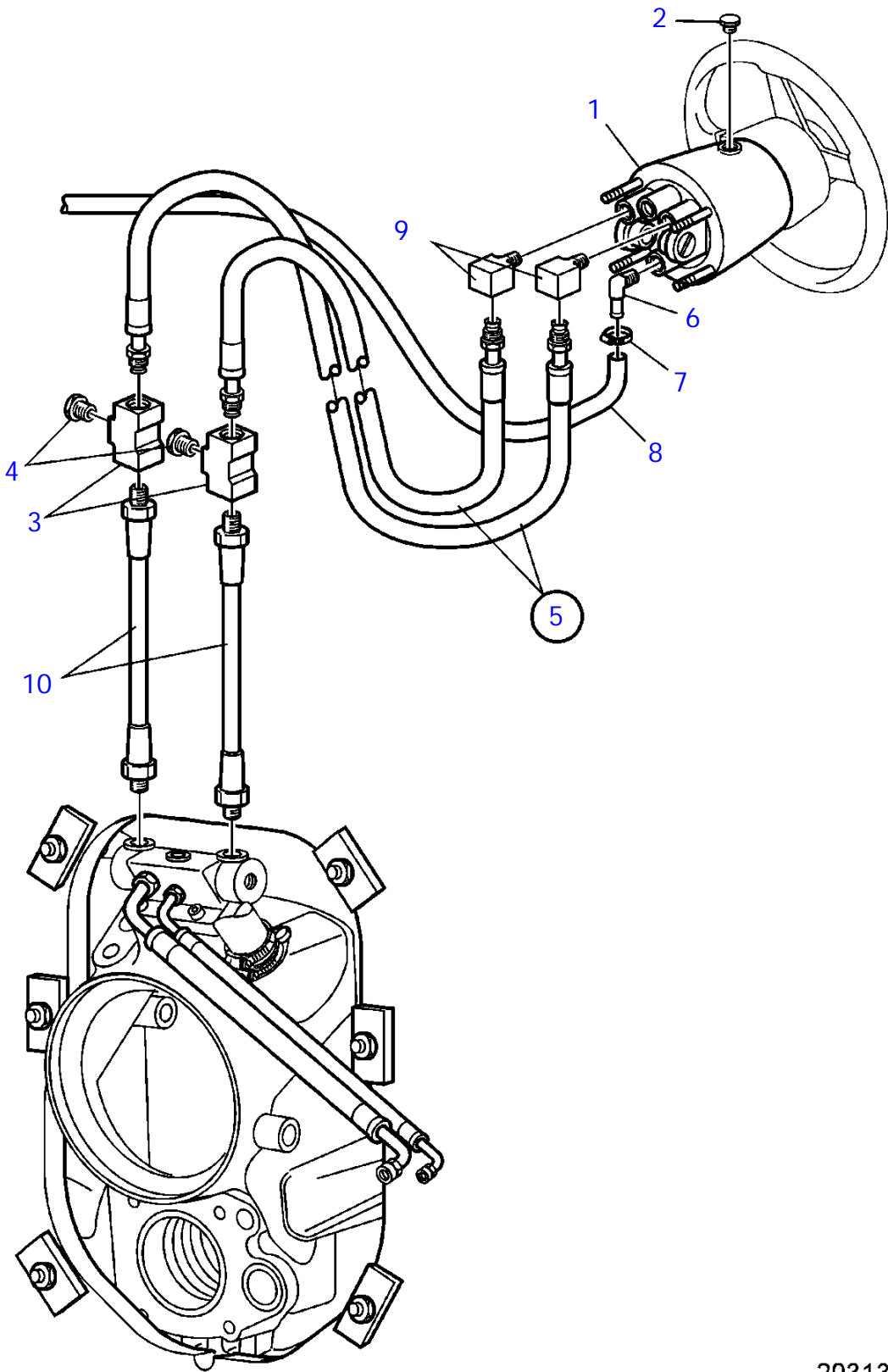
25947



D4-225A-D, D4-260A-D, D4-300A-D, D4-225A-E, D4-260A-E, D4-300A-E

REF	PART NO.	QTY	DESCRIPTION	NOTES
1		1	Mounting kit	
2	856768	1	• Bracket	
3	21287109	1	• Hydraulic hose	
	21503249	1	• Hydraulic hose	For jackshaft
4	3885918	1	• Reservoir	
5	3808486	1	• Hydraulic hose	
6	941995	X	• Hose	L=2,5m
7	961664	3	• Hose clamp	
	961666	2	• Hose clamp	
8	856768	1	• Bracket	

D4-210A-A, D4-210A-B, D4-225A-B, D4-260A-A, D4-260A-B

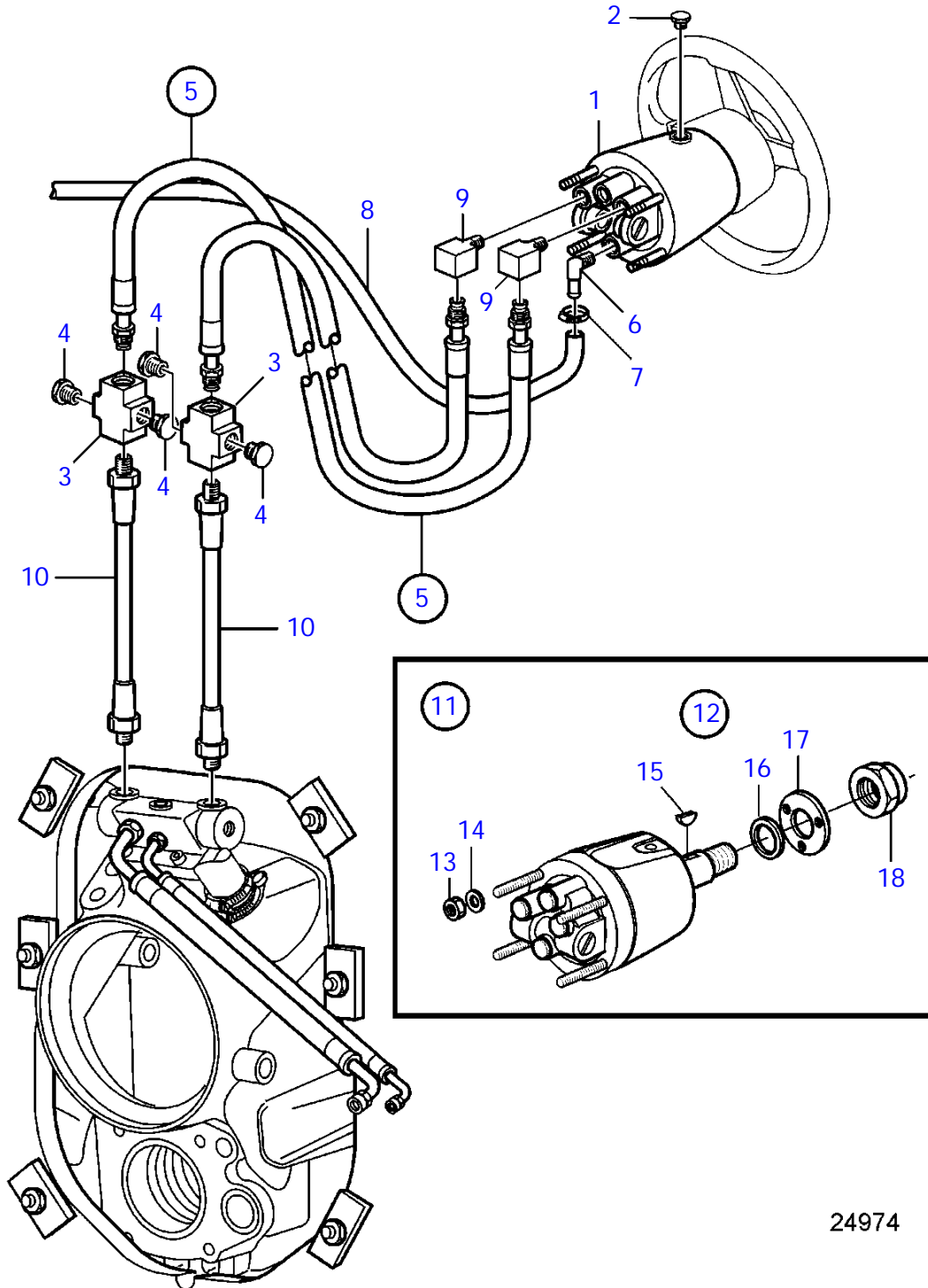


20313

D4-210A-A, D4-210A-B, D4-225A-B, D4-260A-A, D4-260A-B

REF	PART NO.	QTY	DESCRIPTION	NOTES
1	888154	1	Pump	Std
	888155	1	Pump	Tilt
2	889171	1	Plug	Alt
	3588306	1	Plug, air venting	Alt
3	984414	2	T-nipple	
4	984377	2	Plug	
5	889150	1	Transom shield	L=0.5m
	889151	1	Transom shield	L=2.0m
	889152	1	Transom shield	L=13.0' (4.0m)
	889153	1	Transom shield	L=4.5m
	889154	1	Transom shield	L=5.0m
	889155	1	Transom shield	L=18.0' (5.5m)
	889156	1	Transom shield	L=6.0m
	889157	1	Transom shield	L=6.5m
	889158	1	Transom shield	L=7.0m
	889159	1	Transom shield	L=7.5m
	889160	1	Transom shield	L=8.0m
	889161	1	Transom shield	L=28.0' (8.5m)
	889162	1	Transom shield	L=9.0m
	889163	1	Transom shield	L=9.5m
	889164	1	Transom shield	L=10.0m
	889165	1	Transom shield	L=10.5m
	889167	1	Transom shield	L=11.0m
	(889168)	1	Transom shield	Obsolete part, L=11,5m
	889169	1	Transom shield	L=12,0m
6	947681	1	* Hose nipple	
7	961664	2	* Hose clamp	
8	889136	1	* Hose	L=23.0' (7.0m)
	889148	1	* Return hose	L=9.0m
9	3852525	2	* Fitting	Obsolete part, (984412)
10	888202	2	Hose assembly	

D4-210A-A, D4-210A-B, D4-225A-B, D4-225A-C, D4-225A-D, D4-225A-E, D4-260A-A, D4-260A-B, D4-260A-C, D4-260A-D, D4-300A-A, D4-300A-C, D4-300A-D, D4-225A-E, D4-260A-E, D4-300A-E

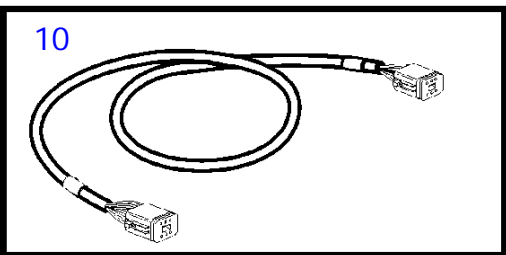
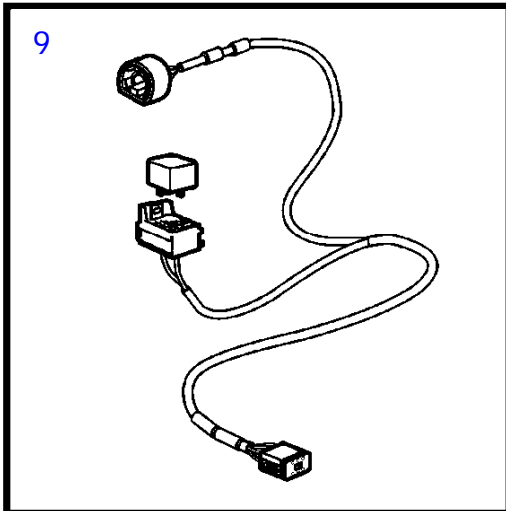
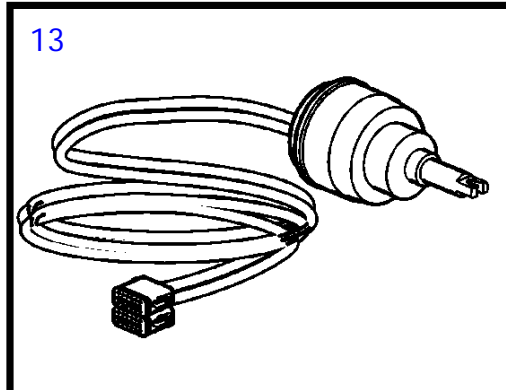
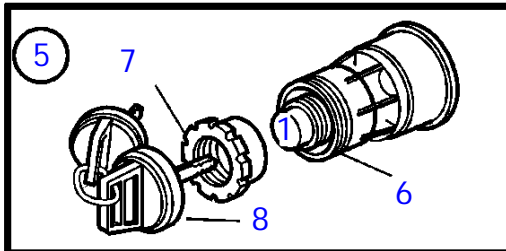
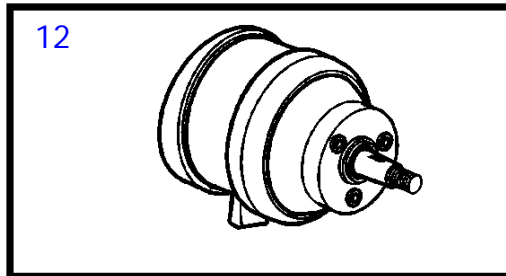
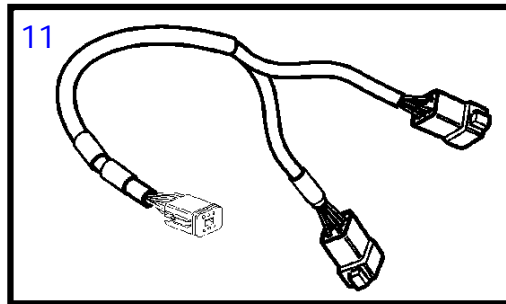
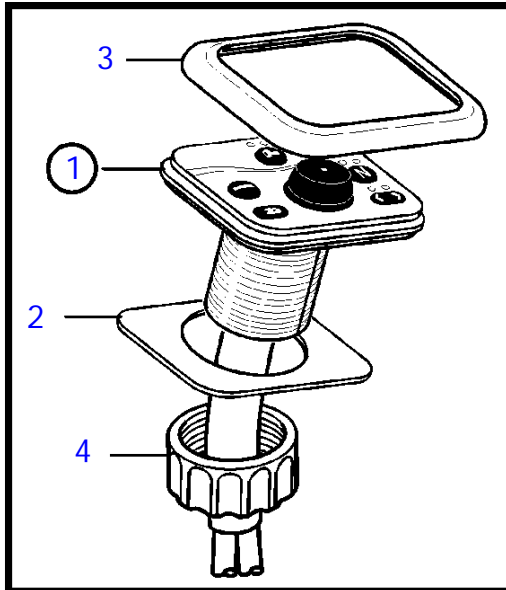


24974

D4-210A-A, D4-210A-B, D4-225A-B, D4-225A-C, D4-225A-D, D4-260A-A, D4-260A-B, D4-260A-C, D4-260A-D, D4-300A-A, D4-300A-C, D4-300A-D, D4-225A-E, D4-260A-E, D4-300A-E

REF	PART NO.	QTY	DESCRIPTION	NOTES
1	21349962	1	Pump	Std, (888154)
	21349964	1	Pump	Tilt, (888155)
2	889171	1	Plug	Alt
	3588306	1	Plug, air venting	Alt
3	990205	2	X-nipple	
4	984377	4	Plug	
5	889150	1	Transom shield	L=0.5m
	889151	1	Transom shield	L=2,0m
	889152	1	Transom shield	L=13.0' (4.0m)
	889153	1	Transom shield	L=4,5m
	889154	1	Transom shield	L=5,0m
	889155	1	Transom shield	L=18.0' (5.5m)
	889156	1	Transom shield	L=6,0m
	889157	1	Transom shield	L=6,5m
	889158	1	Transom shield	L=7,0m
	889159	1	Transom shield	L=7,5m
	889160	1	Transom shield	L=8,0m
	889161	1	Transom shield	L=28.0' (8.5m)
	889162	1	Transom shield	L=9,0m
	889163	1	Transom shield	L=9,5m
	889164	1	Transom shield	L=10,0m
	889165	1	Transom shield	L=10,5m
	889167	1	Transom shield	L=11,0m
	(889168)	1	Transom shield	Obsolete part, L=11,5m
	889169	1	Transom shield	L=12,0m
6		1	* Hose nipple	
7	961663	2	* Hose clamp	
8		1	* Hose	
		1	* Return hose	
9		2	* Fitting	
10	888202	2	Hose assembly	
11	21349962	1	Pump	
12	21384615	1	* Service kit	
13		4	** Washer	
14		4	** Nut	
15		1	** Key	
16		1	** Ring	
17		1	** Sealing plate	
18		1	** Nut	

D4-225A-D, D4-260D-B, D4-260D-C, D4-260D-D, D4-300D-A, D4-300D-C, D4-300D-D, D4-225A-E, D4-260D-E, D4-300D-E



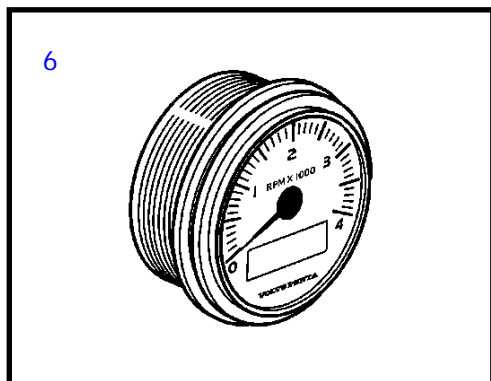
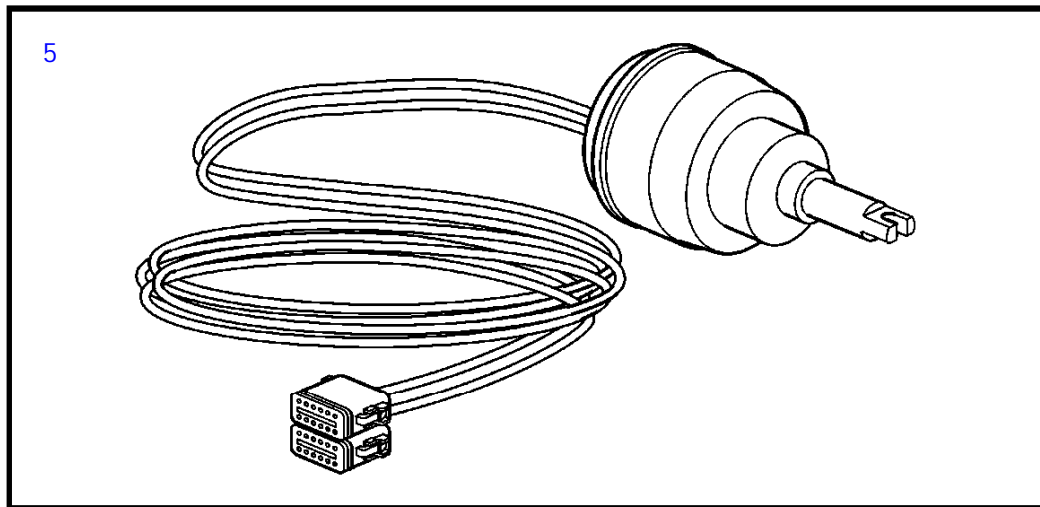
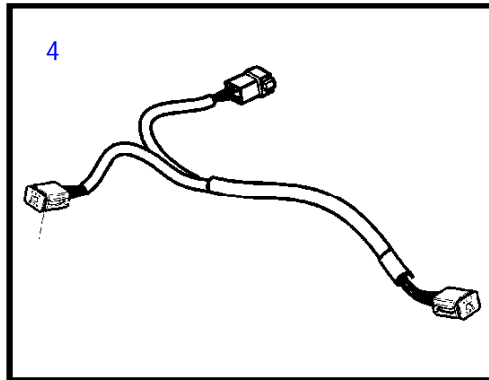
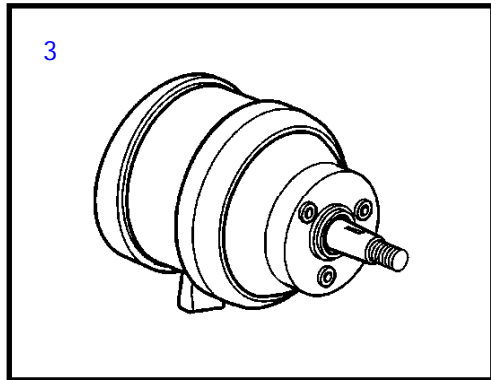
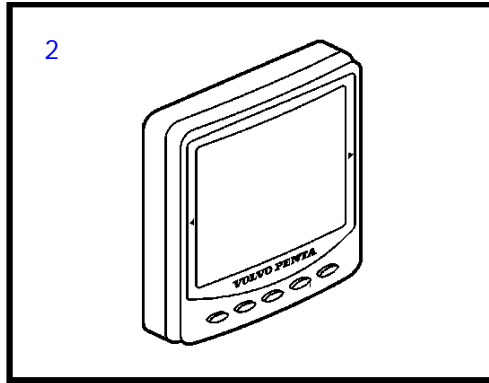
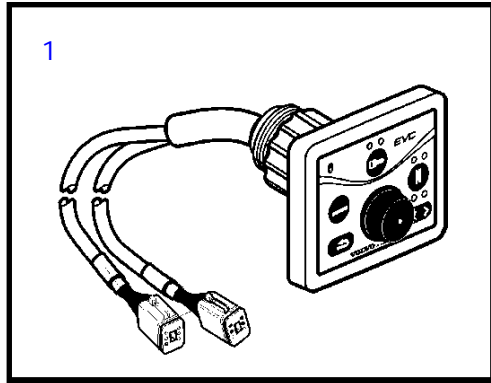
24997

D4-225A-D, D4-260D-B, D4-260D-C, D4-260D-D, D4-300D-A, D4-300D-C, D4-300D-D, D4-225A-E, D4-260D-E, D4-300D-E

REF	PART NO.	QTY	DESCRIPTION	SEE SEC.	NOTES
1	21310164	1	Control panel		
2	3808135	1	* Gasket		
3	3808131	1	* Frame		
4	3808134	1	* Nut		
5	3587070	1	Starter switch, set		Kit with 2 key switch with identical key.
6	3587071	1	Starter switch		
7	859955	1	* Plastic nut		
8	859953	1	* Key		State key code when oredering.
			* Bulletin 49-30	49-30-EN	Key P/N 859953
9	888004	2	Cable		Relay not included
10	3886666	3	Cable		
11	3588206	2	Cable kit		
12	3841280	1	Steering wheel adjus		
13	3808380	1	Kit		



D4-260D-B, D4-300D-A

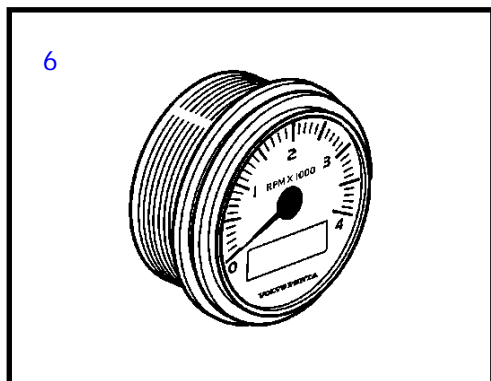
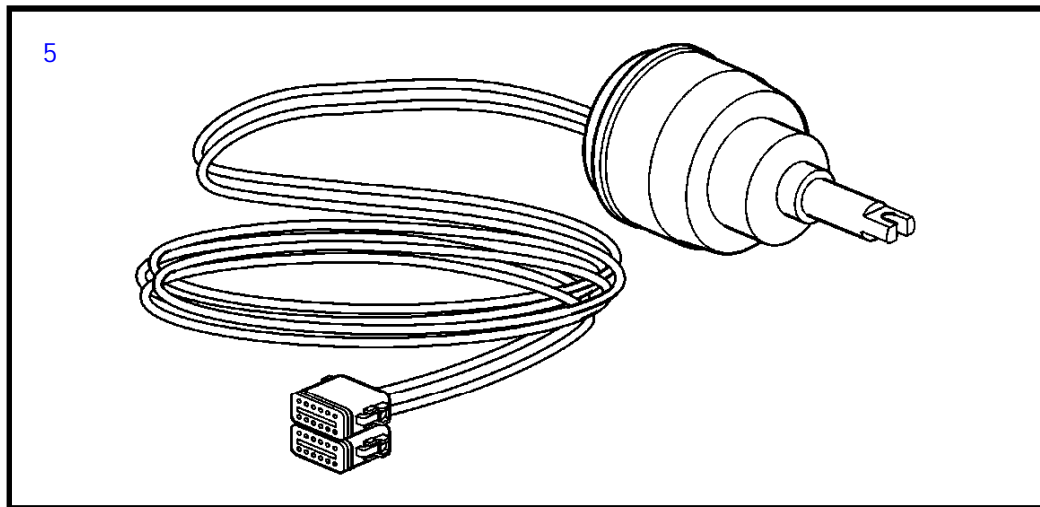
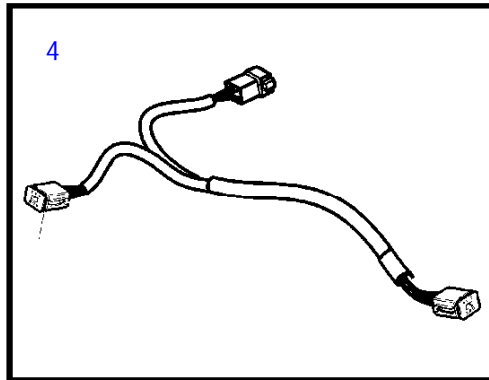
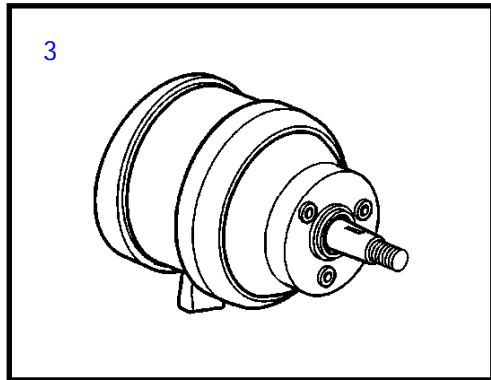
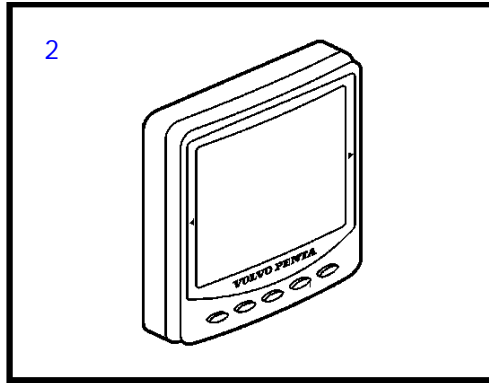
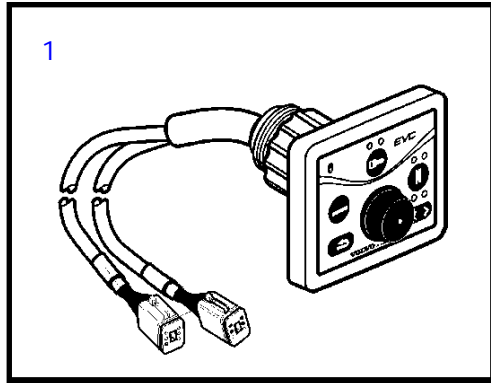


D4-260D-B, D4-300D-A

REF	PART NO.	QTY	DESCRIPTION	SEE SEC.	NOTES
1	3883351	1	Control panel		
2	3884818	1	Display		
3	3841280	1	Steering wheel adjus		
4	3588206	1	Cable kit, y-split		Multilink.
5	3808380	1	Kit		
6		1	Tachometer	22157	



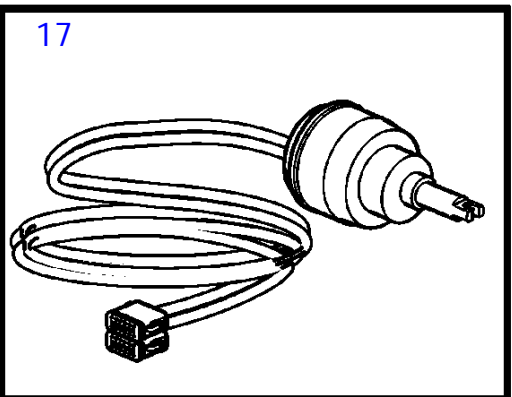
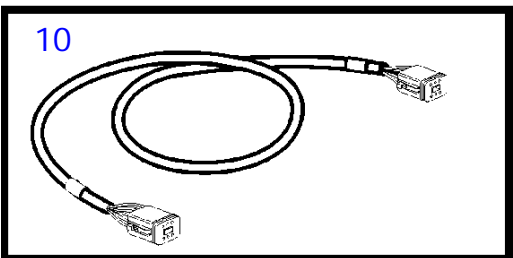
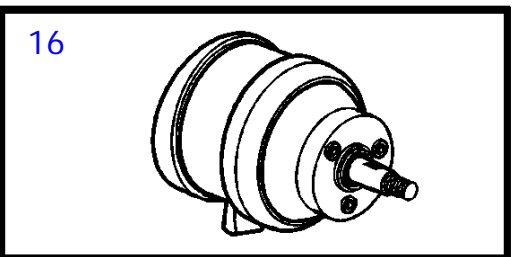
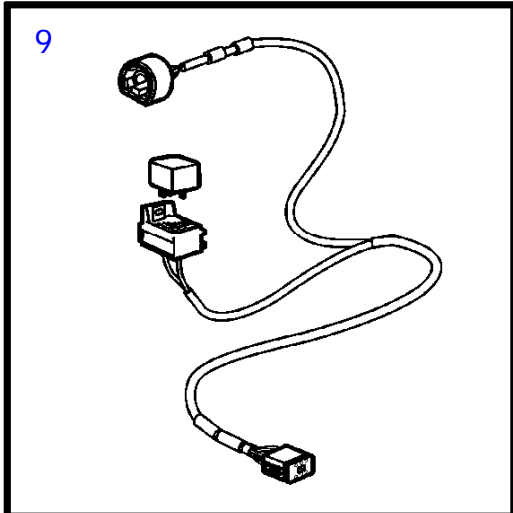
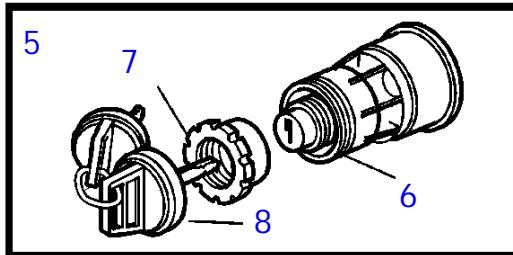
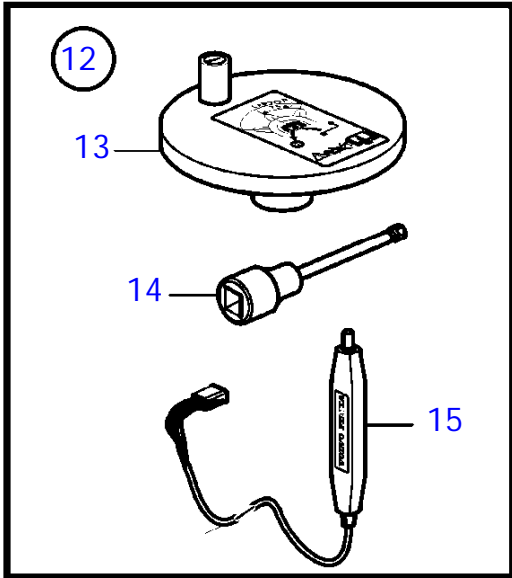
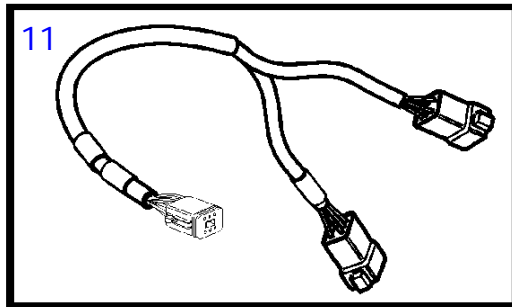
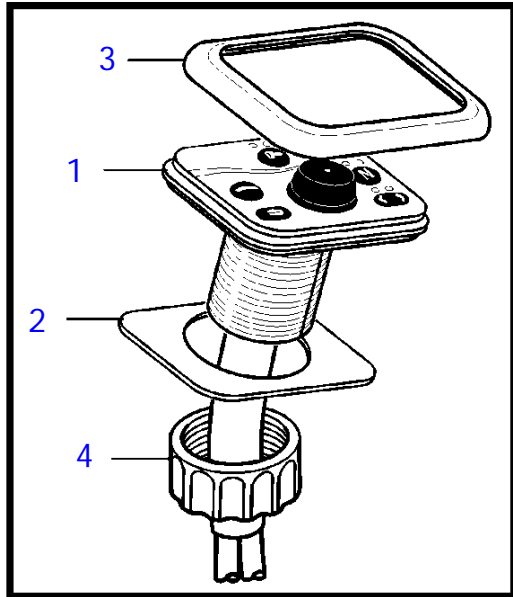
D4-260D-B, D4-300D-A



D4-260D-B, D4-300D-A

REF	PART NO.	QTY	DESCRIPTION	SEE SEC.	NOTES
1	21310164	1	Control panel		
2	21173162	1	Display		(3884818)
3	3841280	1	Steering wheel adjus		
4	3588206	1	Cable kit, y-split		Multilink.
5	3808380	1	Kit		
6		1	Tachometer	22157	

D4-260D-B, D4-260D-C, D4-260D-D, D4-300D-A, D4-300D-C, D4-300D-D, D4-260D-E, D4-300D-E



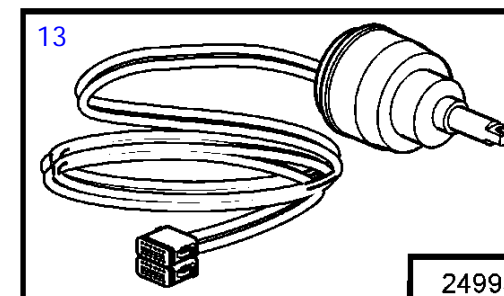
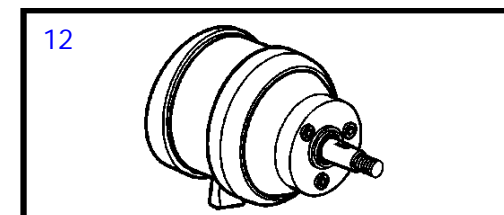
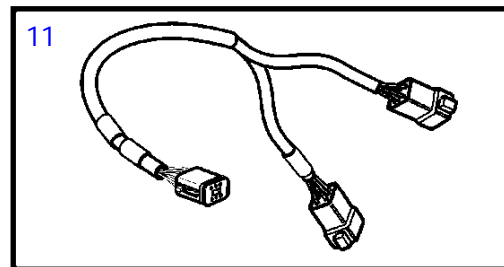
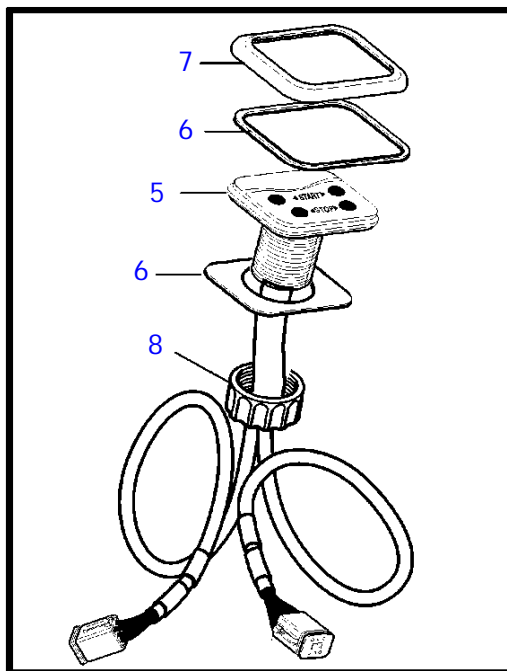
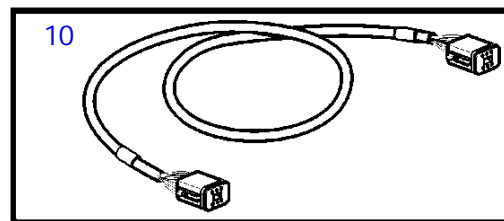
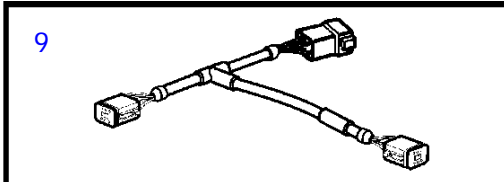
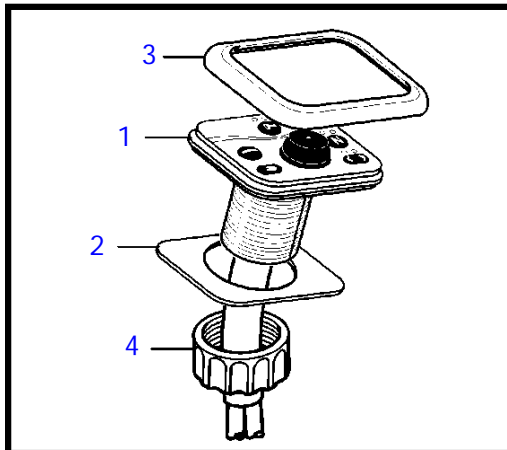
24994

D4-260D-B, D4-260D-C, D4-260D-D, D4-300D-A, D4-300D-C, D4-300D-D, D4-260D-E, D4-300D-E

REF	PART NO.	QTY	DESCRIPTION	SEE SEC.	NOTES
1	21310164	1	Control panel		
2	3808135	1	* Gasket		
3	3808131	1	* Frame		
4	3808134	1	* Nut		
5	3587070	1	Starter switch, set		Kit with 2 key switch with identical key.
6	3587071	1	Starter switch		
7	859955	1	* Plastic nut		
8	859953	1	* Key		State key code when oredering.
			* Bulletin 49-30	49-30-EN	Key P/N 859953
9	888004	2	Cable		Relay not included
10	3886666	3	Cable		
11	3588206	2	Cable kit		
12	3812065	1	Kit		
13	3809570	1	* Crank		
14	3863070	1	* Tool		
15	(3812541)	1	* Breaker		
16	3841280	1	Steering wheel adjus		
17	3808380	1	Kit		



D4-260D-B, D4-260D-C, D4-260D-D, D4-300D-A, D4-300D-C, D4-300D-D, D4-260D-E, D4-300D-E

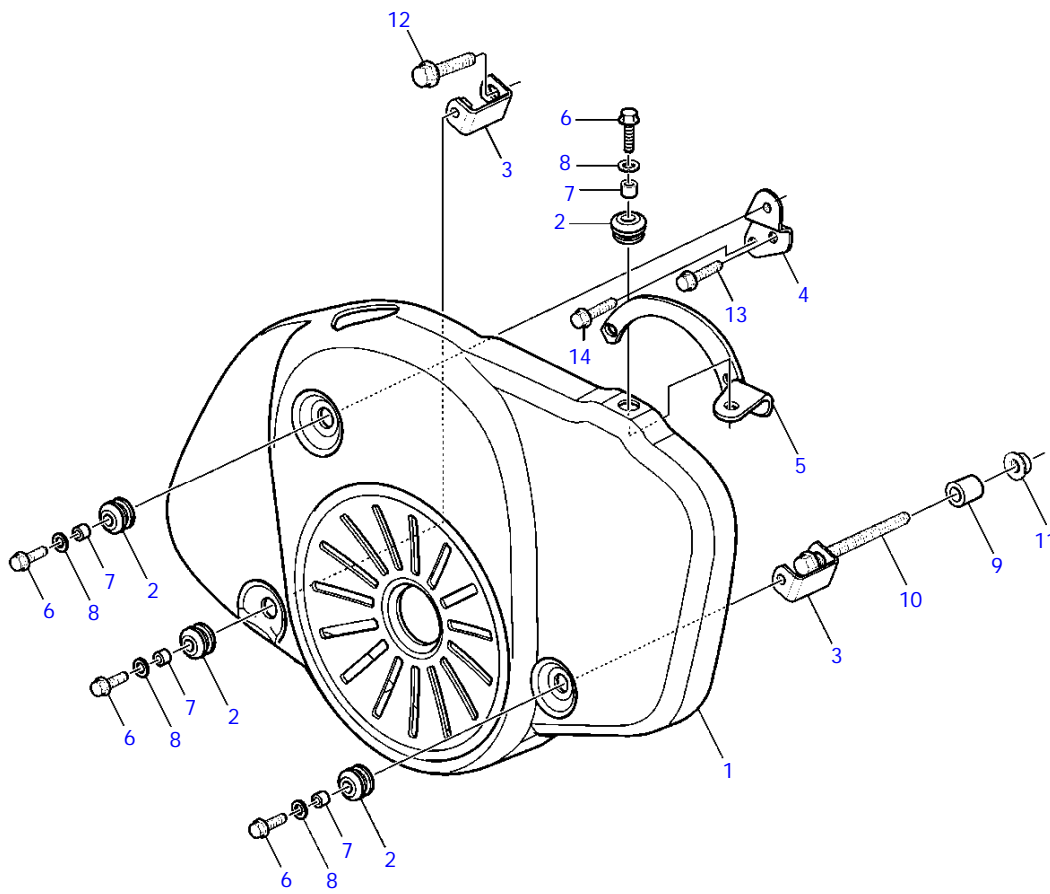


24995

D4-260D-B, D4-260D-C, D4-260D-D, D4-300D-A, D4-300D-C, D4-300D-D, D4-260D-E, D4-300D-E

REF	PART NO.	QTY	DESCRIPTION	NOTES
1	21310164	1	Control panel	
2	3808135	1	* Gasket	
3	3808131	1	* Frame	
4	3808134	1	* Nut	
5	40005642	1	Control panel, start/stop	
6	3808135	1	* Gasket	Twin installation, Dual station
7	3808131	1	* Frame	Also for flushmounting.
8	3808134	1	* Nut	
9	3588972	2	Cable kit	
10	3886666	3	Cable	
11	3588206	2	Cable kit	
12	3841280	1	Steering wheel adjus	
13	3808380	1	Kit	

D4-180I-B, D4-180I-C, D4-180I-D, D4-210A-A, D4-210A-B, D4-210I-A, D4-210I-B, D4-225A-B, D4-225A-C, D4-225A-D,
D4-225I-B, D4-225I-C, D4-225I-D, D4-260I-A, D4-260I-B, D4-260I-C, D4-260I-D, D4-300I-A, D4-300I-C, D4-300I-D, D4-180I-E,
D4-225A-E, D4-225I-E, D4-260I-E, D4-300I-E

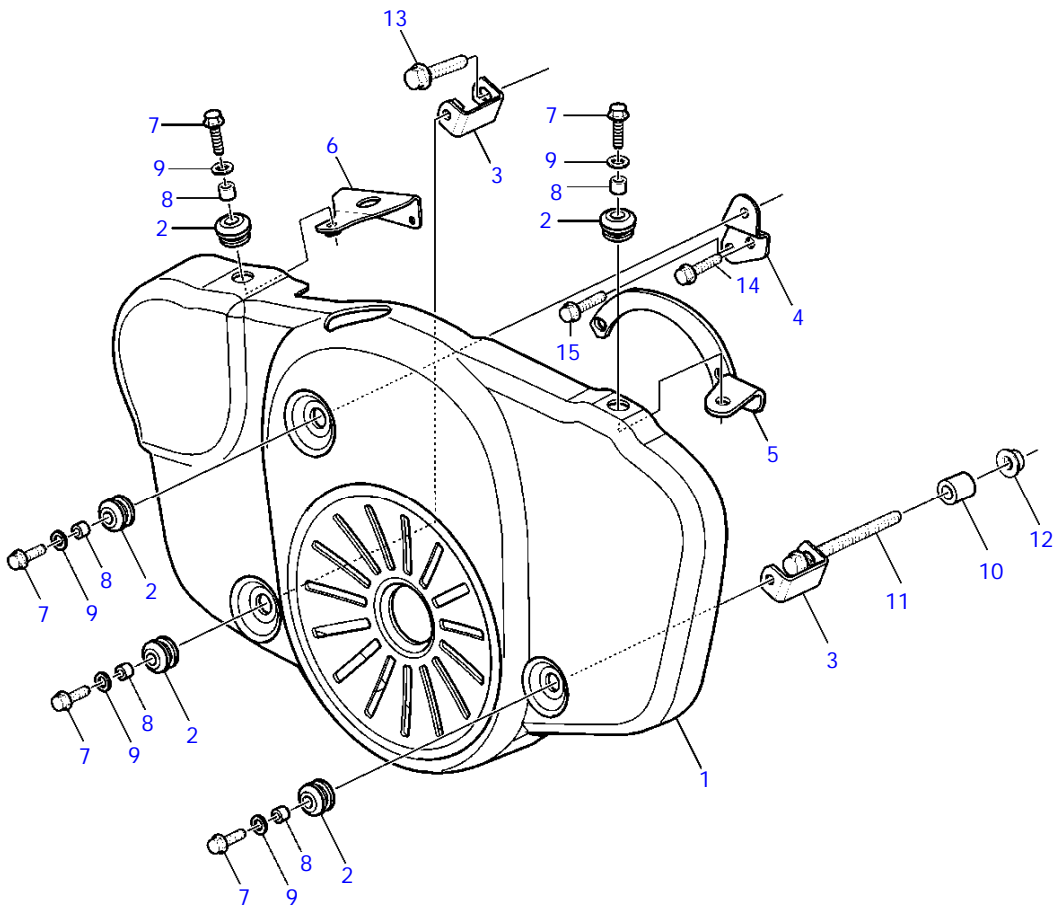


25511

D4-180I-B, D4-180I-C, D4-180I-D, D4-210A-A, D4-210A-B, D4-210I-A, D4-210I-B, D4-225A-B, D4-225A-C, D4-225A-D, D4-225I-B, D4-225I-C, D4-225I-D, D4-260I-A, D4-260I-B, D4-260I-C, D4-260I-D, D4-300I-A, D4-300I-C, D4-300I-D, D4-180I-E, D4-225A-E, D4-225I-E, D4-260I-E, D4-300I-E

REF	PART NO.	QTY	DESCRIPTION	NOTES
1	3808882	1	Belt protector	Replaced by 21119492
	21119492	1	Belt protector	Replaced by 21262732
	21262732	1	Belt protector	
2	673989	4	* Grommet	
3	3588731	2	Bracket	
4	3588732	1	Bracket	
5	21368512	1	Bracket	
6	946730	4	Hexagon screw	
7	3830336	4	Spacer	
8	941670	4	Washer	
9	1678297	1	Spacer sleeve	
10	979935	1	Flange screw	
11	971096	1	Flange nut	
12	979935	1	Flange screw	
13	965186	1	Flange screw	
14	965190	1	Flange screw	

D4-260A-A, D4-260A-B, D4-260A-C, D4-260A-D, D4-260D-B, D4-260D-C, D4-260D-D, D4-300A-A, D4-300A-C, D4-300A-D, D4-300D-A, D4-300D-C, D4-300D-D, D4-260A-E, D4-260D-E, D4-300A-E, D4-300D-E

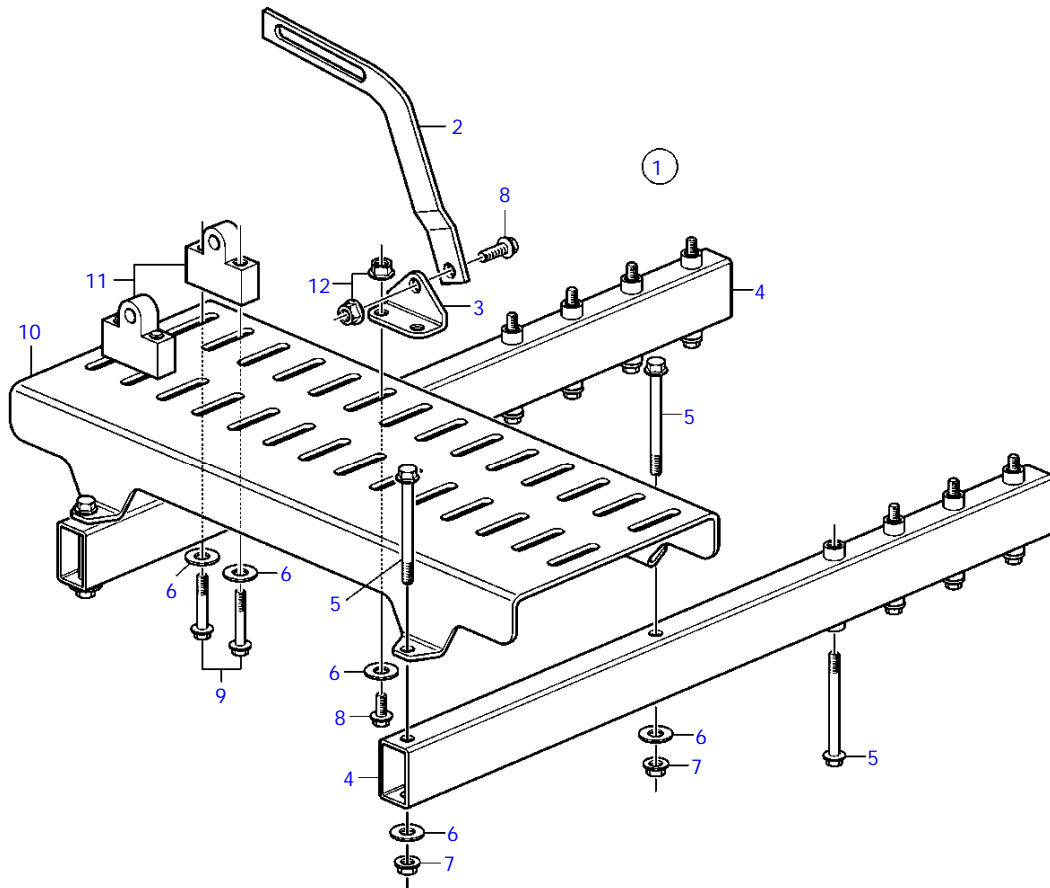


25510

D4-260A-A, D4-260A-B, D4-260A-C, D4-260A-D, D4-260D-B, D4-260D-C, D4-260D-D, D4-300A-A, D4-300A-C, D4-300A-D, D4-300D-A, D4-300D-C, D4-300D-D, D4-260A-E, D4-260D-E, D4-300A-E, D4-300D-E

REF	PART NO.	QTY	DESCRIPTION	NOTES
1	3808883	1	Belt protector	Replaced by 21119505
	21119505	1	Belt protector	Replaced by 21262733
	21262733	1	Belt protector	SOLAS
2	673989	5	* Grommet	
3	3588731	2	Bracket	
4	3588732	1	Bracket	
5	21368512	1	Bracket	
6	21142168	1	Bracket	
7	963567	5	Hexagon screw	
8	3830336	5	Spacer	
9	941670	5	Washer	
10	1678297	1	Spacer sleeve	
11	979935	1	Flange screw	L=160mm
12	971096	1	Flange nut	
13	978447	1	Flange screw	
14	965186	1	Flange screw	
15	965190	1	Flange screw	

D4-180I-B, D4-180I-C, D4-180I-D, D4-210A-A, D4-210A-B, D4-210I-A, D4-210I-B, D4-225A-B, D4-225A-C, D4-225A-D, D4-225I-B, D4-225I-C, D4-225I-D, D4-260A-A, D4-260A-B, D4-260A-C, D4-260A-D, D4-260D-B, D4-260D-C, D4-260D-D, D4-260I-A, D4-260I-B, D4-260I-C, D4-260I-D, D4-300A-A, D4-300A-C, D4-300A-D, D4-300D-A, D4-300D-C, D4-300D-D, D4-300I-A, D4-300I-C, D4-300I-D, D4-180I-E, D4-225A-E, D4-225I-E, D4-260A-E, D4-260D-E, D4-260I-E, D4-300A-E, D4-300D-E, D4-300I-E



21426

D4-180I-B, D4-180I-C, D4-180I-D, D4-210A-A, D4-210A-B, D4-210I-A, D4-210I-B, D4-225A-B, D4-225A-C, D4-225A-D, D4-225I-B, D4-225I-C, D4-225I-D, D4-260A-A, D4-260A-B, D4-260A-C, D4-260A-D, D4-260D-B, D4-260D-C, D4-260D-D, D4-260I-A, D4-260I-B, D4-260I-C, D4-260I-D, D4-300A-A, D4-300A-C, D4-300A-D, D4-300D-A, D4-300D-C, D4-300D-D, D4-300I-A, D4-300I-C, D4-300I-D, D4-180I-E, D4-225A-E, D4-225I-E, D4-260A-E, D4-260D-E, D4-260I-E, D4-300A-E, D4-300D-E, D4-300I-E

REF	PART NO.	QTY	DESCRIPTION
1	3584501	1	Universal bracket
2	845021	2	* Tensioner
3	858177	4	* Bracket
4	3807983	2	* Bracket
5	965182	12	* Flange screw
6	948880	10	* Washer
7	948645	4	* Flange lock nut
8	946173	6	* Flange screw
9	947760	4	* Flange screw
10	3807984	1	* Bracket
11	3808661	2	* Support
12	945408	6	* Flange nut



D4-180I-B, D4-180I-C, D4-180I-D, D4-210A-A, D4-210A-B, D4-210I-A, D4-210I-B, D4-225A-B, D4-225A-C, D4-225A-D, D4-225I-B, D4-225I-C, D4-225I-D, D4-260A-A, D4-260A-B, D4-260A-C, D4-260A-D, D4-260D-B, D4-260D-C, D4-260D-D, D4-260I-A, D4-260I-B, D4-260I-C, D4-260I-D, D4-300A-A, D4-300A-C, D4-300A-D, D4-300D-A, D4-300D-C, D4-300D-D, D4-300I-A, D4-300I-C, D4-300I-D

REF	PART NO.	QTY	DESCRIPTION	SEE SEC.	NOTES
1	21371112	1	Gasket kit		
	21165389	1	* Gasket		
	947622	2	* Gasket		
	877072	4	* Valve stem seal		
	964106	1	* Gasket		
	976039	1	* O-ring		Obsolete part
	947776	1	* O-ring		
	975309	1	* O-ring		
	969011	7	* Gasket		
	11994	12	* Gasket		
	3887602	4	* O-ring		
	3583336	1	* Gasket		
	3582725	1	* Gasket		
	3588435	1	* Gasket kit		
	3588436	1	* Gasket kit		
	1161370	1	* Adhesive		
	1161059	1	* Sealing compound		
	888661	1	* Adhesive		
	3588434	1	Gasket kit, reconditioning		
	976025	1	* O-ring		
	3582748	1	* Sealing ring		
	3586960	1	* Sealing ring kit		
	925058	2	* O-ring		
	469846	1	* Sealing ring		
	949659	1	* O-ring		
	948888	1	* O-ring		
	8631580	1	* O-ring		
	3583647	8	* O-ring		
	3583831	1	* O-ring		
	3583832	1	* O-ring		
	3818912	1	* Gasket		(3583811)
	945512	2	* O-ring		
	1544710	1	* Sealing ring		
	3838406	4	* O-ring		(3583632)
	3583634	1	* Gasket		
	1161370	1	* Adhesive		
	888661	1	* Adhesive		
	3588435	1	Gasket kit, turbo		
	3583335	1	* Gasket		
	947627	2	* Gasket		
	11994	2	* Gasket		
	420641	1	* Gasket		
	860105	1	* Gasket		
	949841	1	* O-ring		
	(949971)	1	* O-ring		Obsolete part
	3588436	1	Gasket kit, heat exchanger		
	949722	2	* O-ring		
	969415	1	* O-ring		
	976041	1	* O-ring		
	976051	1	* O-ring		
	3588437	1	Kit, oil temp gauge kit		
		1	* Thermostat		
	3583831	1	* O-ring		
	3583832	1	* O-ring		
	3588438	1	Kit, coolant water		
	8149182	1	* Thermostat		(8149517)
	945512	2	* O-ring		
	1544710	1	* Sealing ring		
	3588474	1	Kit, coolant		
		1	* Shaft		
	3582673	1	* Sealing ring		
	3583673	1	* Screw		
	3818912	1	* Gasket		(3583811)
	21495818	1	Repair kit		
	21422638	2	* Ball bearing		
	914451	2	* Snap ring		
	21422634	1	* Shaft		
	21422642	1	* Snap ring		
		1	* Pulley		
	21418999	1	Kit, shaft, sea water pump		
	181648	2	* Ball bearing		
	888386	1	* Key		
		1	* Shaft		
	3583609	1	* Sealing		
	888388	1	* Washer		
	809444	1	* Lock ring		
	807589	1	* Wear washer		
	3583612	1	* Cam		
	3583614	1	* O-ring		
	3583605	1	* Hexagon screw		

D4-180I-B, D4-180I-C, D4-180I-D, D4-210A-A, D4-210A-B, D4-210I-A, D4-210I-B, D4-225A-B, D4-225A-C, D4-225A-D, D4-225I-B, D4-225I-C, D4-225I-D, D4-260A-A, D4-260A-B, D4-260A-C, D4-260A-D, D4-260D-B, D4-260D-C, D4-260D-D, D4-260I-A, D4-260I-B, D4-260I-C, D4-260I-D, D4-300A-A, D4-300A-C, D4-300A-D, D4-300D-A, D4-300D-C, D4-300D-D, D4-300I-A, D4-300I-C, D4-300I-D

REF	PART NO.	QTY	DESCRIPTION	SEE SEC.	NOTES
	21422648	1	Repair kit, sea water pump		
		1	* Cover		
	809444	1	* Lock ring		
	3583988	1	* Washer		
	(21379134)	1	* Sealing ring		Obsolete part
	21346724	1	* Screw		
	3588475	1	Impeller kit, sea water pump		
		1	* Impeller		
	804781	1	* Sealing washer		
	3583604	2	* Hexagon screw		
	3583611	1	* O-ring		
	21422647	1	Impeller kit, sea water pump		
		1	* Impeller		
	3581618	1	* O-ring		
	3862178	1	* Grease		
	3818868	1	Service kit		
	3808091	1	* Pipe connection		
	3808092	1	* Pipe connection		
	3808093	1	* Hose		
	961672	2	* Hose clamp		
	1161370	1	* Adhesive		50ml
	21704968	1	Service kit		
	3588475	1	* Impeller kit		
	3582732	1	* Oil filter		
			* Bulletin P-18-3-4	P-18-3-4-EN	Return of Oil Filter
1	21632901	1	* Oil filter		
	3583443	1	* Filter		
			* Bulletin P-23-3-5	P-23-3-5-EN	Fuel Filter Missing Inner Gasket
1	21702999	1	* Insert		
	3584145	1	* Insert		
	3819656	1	Onboard kit		
			* Bulletin P-02-1-9	P-02-1-9-EN	Onboard Kits, D4 and D6 series
1	3588475	1	* Impeller kit		
	3583729	1	* Belt		
	3583696	1	* Plug		
	3582696	1	* V-ribbed belt		
	11994	10	* Gasket		
	969011	5	* Gasket		
	3583122	5	* Lock spring		
	943479	2	* Hose clamp		
	943472	2	* Hose clamp		
	948211	10	* Cable tie		
	858283	1	* Tape		
	858631	1	* Bag		
	858284	1	* Box		

--

DESCRIPTION	SEE SEC.	NOTES
Long Block, Exchange	36068	D4-180I-B, D4-180I-C, D4-180I-D, D4-210A-A, D4-210A-B, D4-210I-A, D4-210I-B, D4-225A-B, D4-225A-C, D4-225A-D, D4-225I-B, D4-225I-C, D4-225I-D, D4-260A-A, D4-260A-B, D4-260A-C, D4-260A-D, D4-260D-B, D4-260D-C, D4-260D-D, D4-260I-A, D4-260I-B, D4-260I-C, D4-260I-D, D4-180I-E, D4-225A-E, D4-225I-E, D4-260A-E, D4-260D-E, D4-260I-E
Long Block, Exchange	36556	D4-300A-A, D4-300A-C, D4-300A-D, D4-300D-A, D4-300D-C, D4-300D-D, D4-300I-A, D4-300I-C, D4-300I-D, D4-300A-E, D4-300D-E, D4-300I-E
Cylinder Head, Exchange	35109	D4-180I-B, D4-180I-C, D4-180I-D, D4-210A-A, D4-210A-B, D4-210I-A, D4-210I-B, D4-225A-B, D4-225A-C, D4-225A-D, D4-225I-B, D4-225I-C, D4-225I-D, D4-260A-A, D4-260A-B, D4-260A-C, D4-260A-D, D4-260D-B, D4-260D-C, D4-260D-D, D4-260I-A, D4-260I-B, D4-260I-C, D4-260I-D, D4-180I-E, D4-225A-E, D4-225I-E, D4-260A-E, D4-260D-E, D4-260I-E
Cylinder Head, Exchange	35102	D4-300A-A, D4-300A-C, D4-300A-D, D4-300D-A, D4-300D-C, D4-300D-D, D4-300I-A, D4-300I-C, D4-300I-D, D4-300A-E, D4-300D-E, D4-300I-E
Cylinder Block and Flywheel Housing	6300	D4-180I-B, D4-180I-C, D4-180I-D, D4-210A-A, D4-210A-B, D4-210I-A, D4-210I-B, D4-225A-B, D4-225A-C, D4-225A-D, D4-225I-B, D4-225I-C, D4-225I-D, D4-260A-A, D4-260A-B, D4-260A-C, D4-260A-D, D4-260D-B, D4-260D-C, D4-260D-D, D4-260I-A, D4-260I-B, D4-260I-C, D4-260I-D, D4-300A-A, D4-300A-C, D4-300A-D, D4-300D-A, D4-300D-C, D4-300D-D, D4-300I-A, D4-300I-C, D4-300I-D, D4-180I-E, D4-225A-E, D4-225I-E, D4-260A-E, D4-260D-E, D4-260I-E, D4-300A-E, D4-300D-E, D4-300I-E
Camshaft and Camshaft Chain	6599	D4-180I-B, D4-180I-C, D4-180I-D, D4-210A-A, D4-210A-B, D4-210I-A, D4-210I-B, D4-225A-B, D4-225A-C, D4-225A-D, D4-225I-B, D4-225I-C, D4-225I-D, D4-260A-A, D4-260A-B, D4-260A-C, D4-260A-D, D4-260D-B, D4-260D-C, D4-260D-D, D4-260I-A, D4-260I-B, D4-260I-C, D4-260I-D, D4-300A-A, D4-300A-C, D4-300A-D, D4-300D-A, D4-300D-C, D4-300D-D, D4-300I-A, D4-300I-C, D4-300I-D, D4-180I-E, D4-225A-E, D4-225I-E, D4-260A-E, D4-260D-E, D4-260I-E, D4-300A-E, D4-300D-E, D4-300I-E
Crank Mechanism	6360	D4-180I-B, D4-180I-C, D4-180I-D, D4-210A-A, D4-210A-B, D4-210I-A, D4-210I-B, D4-225A-B, D4-225A-C, D4-225A-D, D4-225I-B, D4-225I-C, D4-225I-D, D4-260A-A, D4-260A-B, D4-260A-C, D4-260A-D, D4-260D-B, D4-260D-C, D4-260D-D, D4-260I-A, D4-260I-B, D4-260I-C, D4-260I-D, D4-180I-E, D4-225A-E, D4-225I-E, D4-260A-E, D4-260D-E, D4-260I-E
Crank Mechanism	21980	D4-300A-A, D4-300A-C, D4-300A-D, D4-300D-A, D4-300D-C, D4-300D-D, D4-300I-A, D4-300I-C, D4-300I-D, D4-300A-E, D4-300D-E, D4-300I-E
Crankcase Ventilation Shut off, SOLAS	21430	D4-180I-B, D4-180I-C, D4-180I-D, D4-210A-A, D4-210A-B, D4-210I-A, D4-210I-B, D4-225A-B, D4-225A-C, D4-225A-D, D4-225I-B, D4-225I-C, D4-225I-D, D4-260A-A, D4-260A-B, D4-260A-C, D4-260A-D, D4-260D-B, D4-260D-C, D4-260D-D, D4-260I-A, D4-260I-B, D4-260I-C, D4-260I-D, D4-180I-E, D4-225A-E, D4-225I-E, D4-260A-E, D4-260D-E, D4-260I-E
Balance Shaft Housing	6378	D4-180I-B, D4-180I-C, D4-180I-D, D4-210A-A, D4-210A-B, D4-210I-A, D4-210I-B, D4-225A-B, D4-225A-C, D4-225A-D, D4-225I-B, D4-225I-C, D4-225I-D, D4-260A-A, D4-260A-B, D4-260A-C, D4-260A-D, D4-260D-B, D4-260D-C, D4-260D-D, D4-260I-A, D4-260I-B, D4-260I-C, D4-260I-D, D4-300A-A, D4-300A-C, D4-300A-D, D4-300D-A, D4-300D-C, D4-300D-D, D4-300I-A, D4-300I-C, D4-300I-D, D4-180I-E, D4-225A-E, D4-225I-E, D4-260A-E, D4-260D-E, D4-260I-E, D4-300A-E, D4-300D-E, D4-300I-E
Engine Mounting, Earlier Production	6541	D4-180I-B, D4-210I-A, D4-210I-B, D4-225I-B, D4-260D-B, D4-260I-A, D4-260I-B
Engine Suspension, Later Production	21977	D4-180I-B, D4-210I-A, D4-210I-B, D4-225I-B, D4-260D-B, D4-260I-A, D4-260I-B, D4-300D-A, D4-300I-A
Engine Mounting, Earlier Production	7850	D4-210A-A, D4-210A-B, D4-225A-B, D4-260A-A, D4-260A-B, D4-260D-B
Engine Suspension, Later Production	21978	D4-210A-A, D4-210A-B, D4-225A-B, D4-260A-A, D4-260A-B, D4-260D-B, D4-300A-A, D4-300D-A
Engine Suspension	35147	D4-180I-C, D4-180I-D, D4-225I-C, D4-225I-D, D4-260D-C, D4-260I-C, D4-260I-D, D4-300D-C, D4-300D-D, D4-300I-C, D4-300I-D, D4-180I-E, D4-225I-E, D4-260I-E, D4-300I-E
Engine Suspension	35146	D4-225A-C, D4-225A-D, D4-260A-C, D4-260A-D, D4-260D-C, D4-260D-D, D4-300A-C, D4-300A-D, D4-300D-C, D4-300D-D, D4-225A-E, D4-260A-E, D4-260D-E, D4-300A-E, D4-300D-E
Protecting Cover	6581	D4-180I-B, D4-210A-A, D4-210A-B, D4-210I-A, D4-210I-B, D4-225A-B, D4-225I-B, D4-260A-A, D4-260A-B, D4-260D-B, D4-260I-A, D4-260I-B, D4-300A-A, D4-300D-A, D4-300I-A
Protecting Cover	35101	D4-180I-C, D4-180I-D, D4-225A-C, D4-225A-D, D4-225I-C, D4-225I-D, D4-260A-C, D4-260A-D, D4-260D-C, D4-260D-D, D4-260I-C, D4-260I-D, D4-300A-C, D4-300A-D, D4-300D-C, D4-300D-D, D4-300I-C, D4-300I-D, D4-180I-E, D4-225A-E, D4-225I-E, D4-260A-E, D4-260D-E, D4-260I-E, D4-300A-E, D4-300D-E, D4-300I-E



--

DESCRIPTION	SEE SEC.	NOTES
Lubricating System. SN-2004009981	35845	D4-180I-B, D4-210A-A, D4-210A-B, D4-210I-A, D4-210I-B, D4-225A-B, D4-225I-B, D4-260A-A, D4-260A-B, D4-260D-B, D4-260I-A, D4-260I-B, D4-300A-A, D4-300D-A, D4-300I-A
Lubricating System. SN2004009982-2004014258	21915	D4-180I-B, D4-210A-A, D4-210A-B, D4-210I-A, D4-210I-B, D4-225A-B, D4-225I-B, D4-260A-A, D4-260A-B, D4-260D-B, D4-260I-A, D4-260I-B, D4-300A-A, D4-300D-A, D4-300I-A
Lubricating System. SN2004014259-2004026999	21916	D4-180I-B, D4-210A-A, D4-210A-B, D4-210I-A, D4-210I-B, D4-225A-B, D4-225I-B, D4-260A-A, D4-260A-B, D4-260D-B, D4-260I-A, D4-260I-B, D4-300A-A, D4-300D-A, D4-300I-A
Lubricating System. SN2004027000-	35089	D4-180I-C, D4-180I-D, D4-225A-C, D4-225A-D, D4-225I-C, D4-225I-D, D4-260A-C, D4-260A-D, D4-260D-C, D4-260D-D, D4-260I-C, D4-260I-D, D4-300A-C, D4-300A-D, D4-300D-C, D4-300D-D, D4-300I-C, D4-300I-D, D4-180I-E, D4-225A-E, D4-225I-E, D4-260A-E, D4-260D-E, D4-260I-E, D4-300A-E, D4-300D-E, D4-300I-E
Oil Pump, Components	6479	D4-180I-B, D4-180I-C, D4-180I-D, D4-210A-A, D4-210A-B, D4-210I-A, D4-210I-B, D4-225A-B, D4-225A-C, D4-225A-D, D4-225I-B, D4-225I-C, D4-225I-D, D4-260A-A, D4-260A-B, D4-260A-C, D4-260A-D, D4-260D-B, D4-260D-C, D4-260D-D, D4-260I-A, D4-260I-B, D4-260I-C, D4-260I-D, D4-300A-A, D4-300A-C, D4-300A-D, D4-300D-A, D4-300D-C, D4-300D-D, D4-300I-A, D4-300I-C, D4-300I-D, D4-180I-E, D4-225A-E, D4-225I-E, D4-260A-E, D4-260D-E, D4-260I-E, D4-300A-E, D4-300D-E, D4-300I-E



--

DESCRIPTION	SEE SEC.	NOTES
Turbo, Induction and Exhaust Manifold	6547	D4-180I-B, D4-180I-C, D4-180I-D, D4-210A-A, D4-210A-B, D4-210I-A, D4-210I-B, D4-225A-B, D4-225A-C, D4-225A-D, D4-225I-B, D4-225I-C, D4-225I-D, D4-180I-E, D4-225A-E, D4-225I-E
Turbo, Induction and Exhaust Manifold	7243	D4-260A-A, D4-260A-B, D4-260A-C, D4-260A-D, D4-260D-B, D4-260D-C, D4-260D-D, D4-260I-A, D4-260I-B, D4-260I-C, D4-260I-D, D4-260A-E, D4-260D-E, D4-260I-E
Turbo, Induction and Exhaust Manifold	21928	D4-300A-A, D4-300A-C, D4-300A-D, D4-300D-A, D4-300D-C, D4-300D-D, D4-300I-A, D4-300I-C, D4-300I-D, D4-300A-E, D4-300D-E, D4-300I-E
Compressor	7252	D4-260A-A, D4-260A-B, D4-260A-C, D4-260A-D, D4-260D-B, D4-260D-C, D4-260D-D, D4-260A-E, D4-260D-E
Compressor	21923	D4-300A-A, D4-300A-C, D4-300A-D, D4-300D-A, D4-300D-C, D4-300D-D, D4-300A-E, D4-300D-E
Exhaust Riser Kit, Inboard	7558	D4-180I-B, D4-210I-A, D4-210I-B, D4-225I-B, D4-260I-A, D4-260I-B, D4-300I-A
Exhaust Riser Kit, Inboard	8744	D4-180I-B, D4-180I-C, D4-180I-D, D4-210I-A, D4-210I-B, D4-225I-B, D4-225I-C, D4-225I-D, D4-260I-A, D4-260I-B, D4-260I-C, D4-260I-D, D4-300I-A, D4-300I-C, D4-300I-D, D4-180I-E, D4-225I-E, D4-260I-E, D4-300I-E
Exhaust Pipe Kit, AQ. SN-2004007439	7560	D4-210A-A, D4-210A-B, D4-225A-B, D4-225A-C, D4-225A-D, D4-225A-E, D4-260A-A, D4-260A-B, D4-260A-C, D4-260A-D, D4-300A-A, D4-300A-C, D4-300A-D, D4-225A-E, D4-260A-E, D4-300A-E
Exhaust Pipe Kit, AQ. SN2004007440-	36626	D4-210A-A, D4-210A-B, D4-225A-B, D4-225A-C, D4-225A-D, D4-225A-E, D4-260A-A, D4-260A-B, D4-260A-C, D4-260A-D, D4-300A-A, D4-300A-C, D4-300A-D, D4-225A-E, D4-260A-E, D4-300A-E
Exhaust Riser Kit, AQ	6527	D4-210A-A, D4-210A-B, D4-225A-B, D4-225A-C, D4-225A-D, D4-225A-E, D4-260A-A, D4-260A-B, D4-260A-C, D4-260A-D, D4-300A-A, D4-300A-C, D4-300A-D, D4-225A-E, D4-260A-E, D4-300A-E
Exhaust Riser Kit, IPS	9954	D4-260D-B, D4-260D-C, D4-260D-D, D4-300D-A, D4-300D-C, D4-300D-D, D4-260D-E, D4-300D-E
Exhaust Pipe Kit for IPS	22132	D4-300D-A, D4-300D-C, D4-300D-D, D4-300D-E
Exhaust Pipe Kit for IPS	36831	D4-300D-A, D4-300D-C, D4-300D-D, D4-300D-E
Air Filter	6597	D4-180I-B, D4-180I-C, D4-180I-D, D4-210A-A, D4-210A-B, D4-210I-A, D4-210I-B, D4-225I-B, D4-225I-C, D4-225I-D, D4-260D-B, D4-260D-C, D4-260D-D, D4-260I-A, D4-260I-B, D4-260I-C, D4-260I-D, D4-300I-A, D4-300I-C, D4-300I-D, D4-180I-E, D4-225I-E, D4-260D-E, D4-260I-E, D4-300I-E
Air Filter for Compressor	7399	D4-225A-B, D4-225A-C, D4-225A-D, D4-225A-E, D4-260A-A, D4-260A-B, D4-260A-C, D4-260A-D, D4-260D-B, D4-260D-C, D4-260D-D, D4-300A-A, D4-300A-C, D4-300A-D, D4-300D-A, D4-300D-C, D4-300D-D, D4-225A-E, D4-260A-E, D4-260D-E, D4-300A-E, D4-300D-E
Crankcase Ventilation	6633	D4-180I-B, D4-180I-C, D4-180I-D, D4-210A-A, D4-210A-B, D4-210I-A, D4-210I-B, D4-225A-B, D4-225A-C, D4-225A-D, D4-225I-B, D4-225I-C, D4-225I-D, D4-225I-E, D4-260A-A, D4-260A-B, D4-260A-C, D4-260A-D, D4-260D-B, D4-260D-C, D4-260D-D, D4-260I-A, D4-260I-B, D4-260I-C, D4-260I-D, D4-300A-A, D4-300A-C, D4-300A-D, D4-300D-A, D4-300D-C, D4-300D-D, D4-300I-A, D4-300I-C, D4-300I-D, D4-180I-E, D4-225A-E, D4-225I-E, D4-260A-E, D4-260D-E, D4-260I-E, D4-300A-E, D4-300D-E, D4-300I-E



DESCRIPTION	SEE SEC.	NOTES
Heat Exchanger and Expansion Tank. SN-2004002830	6548	D4-210A-A, D4-210I-A, D4-260A-A, D4-260I-A
Heat Exchanger and Expansion Tank. SN2004002831-2004017350	8439	D4-180I-B, D4-210A-A, D4-210A-B, D4-210I-A, D4-210I-B, D4-225A-B, D4-225I-B, D4-260A-A, D4-260A-B, D4-260D-B, D4-260I-A, D4-260I-B, D4-300A-A, D4-300D-A, D4-300I-A
Heat Exchanger and Expansion Tank. SN2004017351-	35148	D4-180I-B, D4-180I-C, D4-180I-D, D4-210A-A, D4-210A-B, D4-210I-A, D4-210I-B, D4-225A-B, D4-225A-C, D4-225A-D, D4-225I-B, D4-225I-C, D4-225I-D, D4-260A-A, D4-260A-B, D4-260A-C, D4-260A-D, D4-260D-B, D4-260D-C, D4-260D-D, D4-260I-A, D4-260I-B, D4-260I-C, D4-260I-D, D4-300A-A, D4-300A-C, D4-300A-D, D4-300D-A, D4-300D-C, D4-300D-D, D4-300I-A, D4-300I-C, D4-300I-D, D4-180I-E, D4-225A-E, D4-225I-E, D4-260A-E, D4-260D-E, D4-260I-E, D4-300A-E, D4-300D-E, D4-300I-E
Heat Exchanger, Components	8164	D4-180I-B, D4-210A-A, D4-210A-B, D4-210I-A, D4-210I-B, D4-225A-B, D4-225I-B, D4-260A-A, D4-260A-B, D4-260D-B, D4-260I-A, D4-260I-B, D4-300A-A, D4-300D-A, D4-300I-A
Heat Exchanger, Components	6535	D4-210A-A, D4-210I-A, D4-260A-A, D4-260I-A
Heat Exchanger, Components	35207	D4-180I-B, D4-180I-C, D4-180I-D, D4-210A-A, D4-210A-B, D4-210I-A, D4-210I-B, D4-225A-B, D4-225A-C, D4-225A-D, D4-225I-B, D4-225I-C, D4-225I-D, D4-225I-E, D4-260A-A, D4-260A-B, D4-260A-C, D4-260A-D, D4-260D-B, D4-260D-C, D4-260D-D, D4-260I-A, D4-260I-B, D4-260I-C, D4-260I-D, D4-300A-A, D4-300A-C, D4-300A-D, D4-300D-A, D4-300D-C, D4-300D-D, D4-300I-A, D4-300I-C, D4-300I-D, D4-180I-E, D4-225A-E, D4-225I-E, D4-260A-E, D4-260D-E, D4-260I-E, D4-300A-E, D4-300D-E, D4-300I-E
Water Pipe .SN-2004002831	35911	D4-180I-B
Water Pump	6502	D4-180I-B, D4-180I-C, D4-180I-D, D4-210A-A, D4-210A-B, D4-210I-A, D4-210I-B, D4-225A-B, D4-225A-C, D4-225A-D, D4-225I-B, D4-225I-C, D4-225I-D, D4-225I-E, D4-260A-A, D4-260A-B, D4-260A-C, D4-260A-D, D4-260D-B, D4-260D-C, D4-260D-D, D4-260I-A, D4-260I-B, D4-260I-C, D4-260I-D, D4-300A-A, D4-300A-C, D4-300A-D, D4-300D-A, D4-300D-C, D4-300D-D, D4-300I-A, D4-300I-C, D4-300I-D, D4-180I-E, D4-225A-E, D4-225I-E, D4-260A-E, D4-260D-E, D4-260I-E, D4-300A-E, D4-300D-E, D4-300I-E
Thermostat Housing	6662	D4-180I-B, D4-180I-C, D4-180I-D, D4-210A-A, D4-210A-B, D4-210I-A, D4-210I-B, D4-225A-B, D4-225A-C, D4-225A-D, D4-225I-B, D4-225I-C, D4-225I-D, D4-225I-E, D4-260A-A, D4-260A-B, D4-260A-C, D4-260A-D, D4-260D-B, D4-260D-C, D4-260D-D, D4-260I-A, D4-260I-B, D4-260I-C, D4-260I-D, D4-300A-A, D4-300A-C, D4-300A-D, D4-300D-A, D4-300D-C, D4-300D-D, D4-300I-A, D4-300I-C, D4-300I-D, D4-180I-E, D4-225A-E, D4-225I-E, D4-260A-E, D4-260D-E, D4-260I-E, D4-300A-E, D4-300D-E, D4-300I-E
Charge Air Cooler	6582	D4-180I-B, D4-210A-A, D4-210A-B, D4-210I-A, D4-210I-B, D4-225A-B, D4-225I-B, D4-260A-A, D4-260A-B, D4-260D-B, D4-260I-A, D4-260I-B
Charge Air Cooler	35004	D4-180I-C, D4-180I-D, D4-225A-C, D4-225A-D, D4-225I-C, D4-225I-D, D4-260A-C, D4-260A-D, D4-260D-C, D4-260D-D, D4-260I-C, D4-260I-D, D4-180I-E, D4-225A-E, D4-225I-E, D4-260A-E, D4-260D-E, D4-260I-E
Charge Air Cooler	21933	D4-300A-A, D4-300D-A, D4-300I-A
Charge Air Cooler	35005	D4-300A-C, D4-300A-D, D4-300D-C, D4-300D-D, D4-300I-C, D4-300I-D, D4-300A-E, D4-300D-E, D4-300I-E
Seawater Pump and Hoses, Inboard	6594	D4-180I-B, D4-180I-C, D4-180I-D, D4-210I-A, D4-210I-B, D4-225I-B, D4-225I-C, D4-225I-D, D4-260I-A, D4-260I-B, D4-260I-C, D4-260I-D, D4-300I-A, D4-300I-C, D4-300I-D, D4-180I-E, D4-225I-E
Sea Water Pump and Sea Water Filter for Engines with Drive	6536	D4-210A-A, D4-210A-B, D4-225A-B, D4-225A-C, D4-225A-D, D4-260A-A, D4-260A-B, D4-260A-C, D4-260A-D, D4-260D-B, D4-260D-C, D4-260D-D, D4-300A-A, D4-300A-C, D4-300A-D, D4-300D-A, D4-300D-C, D4-300D-D
Sea Water Pump and Sea Water Filter for Engines with Drive	36339	D4-225A-E, D4-260A-E, D4-260D-E, D4-300A-E, D4-300D-E
Sea Water Pump, Components	36390	D4-225A-E, D4-260A-E, D4-260D-E, D4-300A-E, D4-300D-E
Sea Water Pump, Components	6596	D4-180I-B, D4-180I-C, D4-180I-D, D4-210A-A, D4-210A-B, D4-210I-A, D4-210I-B, D4-225A-B, D4-225A-C, D4-225A-D, D4-225I-B, D4-225I-C, D4-225I-D, D4-225I-E, D4-260A-A, D4-260A-B, D4-260A-C, D4-260A-D, D4-260D-B, D4-260D-C, D4-260D-D, D4-260I-A, D4-260I-B, D4-260I-C, D4-260I-D, D4-300A-A, D4-300A-C, D4-300A-D, D4-300D-A, D4-300D-C, D4-300D-D, D4-300I-A, D4-300I-C, D4-300I-D, D4-180I-E, D4-225I-E, D4-260I-E, D4-300I-E
Drain Hose	36480	D4-180I-B, D4-180I-C, D4-180I-D, D4-210A-A, D4-210A-B, D4-210I-A, D4-210I-B, D4-225A-B, D4-225A-C, D4-225A-D, D4-225I-B, D4-225I-C, D4-225I-D, D4-225I-E, D4-260A-A, D4-260A-B, D4-260A-C, D4-260A-D, D4-260D-B, D4-260D-C, D4-260D-D, D4-260I-A, D4-260I-B, D4-260I-C, D4-260I-D, D4-300A-A, D4-300A-C, D4-300A-D, D4-300D-A, D4-300D-C, D4-300D-D, D4-300I-A, D4-300I-C, D4-300I-D, D4-180I-E, D4-225A-E, D4-225I-E, D4-260A-E, D4-260D-E, D4-260I-E, D4-300A-E, D4-300D-E, D4-300I-E
Hot Water Outlet	7124	D4-180I-B, D4-180I-C, D4-180I-D, D4-210A-A, D4-210A-B, D4-210I-A, D4-210I-B, D4-225A-B, D4-225A-C, D4-225A-D, D4-225I-B, D4-225I-C, D4-225I-D, D4-225I-E, D4-260A-A, D4-260A-B, D4-260A-C, D4-260A-D, D4-260D-B, D4-260D-C, D4-260D-D, D4-260I-A, D4-260I-B, D4-260I-C, D4-260I-D, D4-300A-A, D4-300A-C, D4-300A-D, D4-300D-A, D4-300D-C, D4-300D-D, D4-300I-A, D4-300I-C, D4-300I-D, D4-180I-E, D4-225A-E, D4-225I-E, D4-260A-E, D4-260D-E, D4-260I-E, D4-300A-E, D4-300D-E, D4-300I-E
Cooling Water Intake	7127	D4-180I-B, D4-180I-C, D4-180I-D, D4-210A-A, D4-210A-B, D4-210I-A, D4-210I-B, D4-225A-B, D4-225A-C, D4-225A-D, D4-225I-B, D4-225I-C, D4-225I-D, D4-225I-E, D4-260A-A, D4-260A-B, D4-260A-C, D4-260A-D, D4-260D-B, D4-260D-C, D4-260D-D, D4-260I-A, D4-260I-B, D4-260I-C, D4-260I-D, D4-300A-A, D4-300A-C, D4-300A-D, D4-300D-A, D4-300D-C, D4-300D-D, D4-300I-A, D4-300I-C, D4-300I-D, D4-180I-E, D4-225A-E, D4-225I-E, D4-260A-E, D4-260D-E, D4-260I-E, D4-300A-E, D4-300D-E, D4-300I-E

DESCRIPTION	SEE SEC.	NOTES
Extra Alternator	6671	D4-180I-B, D4-180I-C, D4-180I-D, D4-210A-A, D4-210A-B, D4-210I-A, D4-210I-B, D4-225A-B, D4-225A-C, D4-225A-D, D4-225I-B, D4-225I-C, D4-225I-D, D4-260A-A, D4-260A-B, D4-260A-C, D4-260A-D, D4-260D-B, D4-260D-C, D4-260D-D, D4-260I-A, D4-260I-B, D4-260I-C, D4-260I-D, D4-300A-A, D4-300A-C, D4-300A-D, D4-300D-A, D4-300D-C, D4-300D-D, D4-300I-A, D4-300I-C, D4-300I-D, D4-180I-E, D4-225A-E, D4-225I-E, D4-260A-E, D4-260D-E, D4-260I-E, D4-300A-E, D4-300D-E, D4-300I-E
Alternator with Installation Parts. SN-2004029744	6634	D4-180I-B, D4-180I-C, D4-210A-A, D4-210A-B, D4-210I-A, D4-210I-B, D4-225A-C, D4-225A-D, D4-225I-B, D4-225I-C, D4-225I-D, D4-260A-A, D4-260A-B, D4-260A-C, D4-260D-C, D4-260I-B, D4-260I-C, D4-300A-A, D4-300A-C, D4-300D-A, D4-300D-C, D4-300I-A, D4-300I-C
Alternator with Installation Parts. SN2004029745-	35583	D4-180I-B, D4-180I-C, D4-180I-D, D4-210A-A, D4-210A-B, D4-210I-A, D4-210I-B, D4-225A-B, D4-225A-C, D4-225A-D, D4-225I-B, D4-225I-C, D4-225I-D, D4-260A-A, D4-260D-B, D4-260D-C, D4-260D-D, D4-260I-A, D4-260I-B, D4-260I-C, D4-260I-D, D4-300D-A, D4-300D-C, D4-300D-D, D4-300I-A, D4-300I-C, D4-300I-D, D4-180I-E, D4-225A-E, D4-225I-E, D4-260D-E, D4-260I-E, D4-300D-E, D4-300I-E
Extra Pulley	36195	D4-180I-B, D4-180I-C, D4-180I-D, D4-210A-A, D4-210A-B, D4-210I-A, D4-210I-B, D4-225A-B, D4-225A-C, D4-225A-D, D4-225I-B, D4-225I-C, D4-225I-D, D4-260A-A, D4-260A-B, D4-260A-C, D4-260A-D, D4-260D-B, D4-260D-C, D4-260D-D, D4-260I-A, D4-260I-B, D4-260I-C, D4-260I-D, D4-300A-A, D4-300A-C, D4-300A-D, D4-300D-A, D4-300D-C, D4-300D-D, D4-300I-A, D4-300I-C, D4-300I-D, D4-180I-E, D4-225A-E, D4-225I-E, D4-260A-E, D4-260D-E, D4-260I-E, D4-300A-E, D4-300D-E, D4-300I-E
Starter Motor	7033	D4-180I-B, D4-180I-C, D4-180I-D, D4-210A-A, D4-210A-B, D4-210I-A, D4-210I-B, D4-225A-B, D4-225A-C, D4-225A-D, D4-225I-B, D4-225I-C, D4-225I-D, D4-260A-A, D4-260A-B, D4-260A-C, D4-260A-D, D4-260D-B, D4-260D-C, D4-260D-D, D4-260I-A, D4-260I-B, D4-260I-C, D4-260I-D, D4-300A-A, D4-300A-C, D4-300A-D, D4-300D-A, D4-300D-C, D4-300D-D, D4-300I-A, D4-300I-C, D4-300I-D, D4-180I-E, D4-225A-E, D4-225I-E, D4-260A-E, D4-260D-E, D4-260I-E, D4-300A-E, D4-300D-E, D4-300I-E
Antenna for Dynamic Positioning System	35742	D4-260D-B, D4-260D-C, D4-260D-D, D4-300D-A, D4-300D-C, D4-300D-D, D4-260D-E, D4-300D-E
Control Unit, ECU	8671	D4-180I-B, D4-180I-C, D4-180I-D, D4-210A-A, D4-210A-B, D4-210I-A, D4-210I-B, D4-225A-B, D4-225A-C, D4-225A-D, D4-225I-B, D4-225I-C, D4-225I-D, D4-260A-A, D4-260A-B, D4-260A-C, D4-260A-D, D4-260D-B, D4-260D-C, D4-260D-D, D4-260I-A, D4-260I-B, D4-260I-C, D4-260I-D, D4-300A-A, D4-300A-C, D4-300A-D, D4-300D-A, D4-300D-C, D4-300D-D, D4-300I-A, D4-300I-C, D4-300I-D, D4-180I-E, D4-225A-E, D4-225I-E, D4-260A-E, D4-260D-E, D4-260I-E, D4-300A-E, D4-300D-E, D4-300I-E
Control Unit, ECU	8620	D4-260A-A, D4-260A-B, D4-260A-D, D4-260D-B, D4-260D-C, D4-260D-D, D4-300A-A, D4-300A-C, D4-300A-D, D4-300D-A, D4-300D-C, D4-300D-D, D4-260A-E, D4-260D-E, D4-300A-E, D4-300D-E
Control Unit and Cables, EVC-A	7008	D4-210A-A, D4-210I-A, D4-260A-A, D4-260I-A
Control Unit and Cables, EVC-B, EVC-B2	7540	D4-180I-B, D4-210A-A, D4-210A-B, D4-210I-A, D4-210I-B, D4-225A-B, D4-225I-B, D4-260A-A, D4-260A-B, D4-260I-A, D4-260I-B
Control Unit and Cables, EVC-C	10049	D4-180I-B, D4-210A-A, D4-210A-B, D4-210I-B, D4-225A-B, D4-225I-B, D4-260A-A, D4-260A-B, D4-260D-B, D4-260I-A, D4-260I-B, D4-300A-A, D4-300D-A, D4-300I-A
Control Unit and Cables, EVC-C2	35138	D4-180I-B, D4-180I-C, D4-210A-A, D4-210A-B, D4-210I-A, D4-210I-B, D4-225A-B, D4-225A-C, D4-225I-B, D4-225I-C, D4-260A-A, D4-260A-B, D4-260A-C, D4-260D-B, D4-260D-C, D4-260I-A, D4-260I-B, D4-260I-C, D4-300D-A, D4-300D-C, D4-300D-D, D4-300I-A, D4-300I-C
Control Unit and Cables, EVC-C3	35746	D4-180I-B, D4-180I-C, D4-180I-D, D4-210A-A, D4-210A-B, D4-210I-A, D4-210I-B, D4-225A-B, D4-225A-C, D4-225A-D, D4-225I-B, D4-225I-C, D4-225I-D, D4-260A-A, D4-260A-B, D4-260A-C, D4-260A-D, D4-260D-B, D4-260D-C, D4-260D-D, D4-260I-A, D4-260I-B, D4-260I-C, D4-260I-D, D4-300A-A, D4-300A-C, D4-300A-D, D4-300D-A, D4-300D-C, D4-300D-D, D4-300I-A, D4-300I-C, D4-300I-D, D4-180I-E, D4-225A-E, D4-225I-E, D4-260A-E, D4-260D-E, D4-260I-E, D4-300A-E, D4-300D-E, D4-300I-E
Control Unit and Cables EVC-D	36145	D4-180I-E, D4-225A-E, D4-225I-E, D4-260A-E, D4-260D-E, D4-260I-E, D4-300A-E, D4-300D-E, D4-300I-E
Control Unit EVC-D	36123	D4-180I-E, D4-225A-E, D4-225I-E, D4-260A-E, D4-260I-E, D4-300A-E, D4-300I-E
Electrical Materials, Instrument EVC-A	7010	D4-210A-A, D4-210I-A, D4-260A-A, D4-260I-A
Electrical Materials, Instrument EVC-B, EVC-B2	8244	D4-180I-B, D4-210A-B, D4-210I-B, D4-225A-B, D4-225I-B, D4-260A-B, D4-260I-B
Electrical Materials, Instrument EVC-C, EVC-C2, EVC-C3	22157	D4-180I-B, D4-180I-C, D4-180I-D, D4-210A-A, D4-210A-B, D4-210I-A, D4-210I-B, D4-225A-B, D4-225A-C, D4-225A-D, D4-225I-B, D4-225I-C, D4-225I-D, D4-260A-A, D4-260A-B, D4-260A-C, D4-260A-D, D4-260D-B, D4-260D-C, D4-260D-D, D4-260I-A, D4-260I-B, D4-260I-C, D4-260I-D, D4-300A-A, D4-300A-C, D4-300A-D, D4-300D-A, D4-300D-C, D4-300D-D, D4-300I-A, D4-300I-C, D4-300I-D, D4-180I-E, D4-225A-E, D4-225I-E, D4-260A-E, D4-260D-E, D4-260I-E, D4-300A-E, D4-300D-E, D4-300I-E
Instrument Panel, EVC	9625	D4-180I-B, D4-180I-C, D4-180I-D, D4-210A-A, D4-210A-B, D4-210I-A, D4-210I-B, D4-225A-B, D4-225A-C, D4-225A-D, D4-225I-B, D4-225I-C, D4-225I-D, D4-260A-A, D4-260A-B, D4-260A-C, D4-260A-D, D4-260D-B, D4-260D-C, D4-260D-D, D4-260I-A, D4-260I-B, D4-260I-C, D4-260I-D, D4-300A-A, D4-300A-C, D4-300A-D, D4-300D-A, D4-300D-C, D4-300D-D, D4-300I-A, D4-300I-C, D4-300I-D, D4-180I-E, D4-225A-E, D4-225I-E, D4-260A-E, D4-260D-E, D4-260I-E, D4-300A-E, D4-300D-E, D4-300I-E
Electrical System, SN-2004017198	6777	D4-180I-B, D4-210A-A, D4-210A-B, D4-210I-A, D4-210I-B, D4-225A-B, D4-225I-B, D4-260I-A, D4-260I-B, D4-300I-A
Electrical System, SN-2004017198	8104	D4-260A-A, D4-260A-B, D4-260D-B, D4-300A-A, D4-300D-A
Electrical System, SN2004017199-2004027371	35484	D4-180I-B, D4-210A-A, D4-210A-B, D4-210I-A, D4-210I-B, D4-225A-B, D4-225I-B, D4-260I-A, D4-260I-B, D4-300I-A
Electrical System, SN2004017199-2004027371	35485	D4-260A-A, D4-260A-B, D4-260D-B, D4-300A-A, D4-300D-A
Electrical System, SN2004027372-	35126	D4-180I-B, D4-180I-C, D4-180I-D, D4-210A-A, D4-210A-B, D4-210I-A, D4-210I-B, D4-225A-B, D4-225A-C, D4-225A-D, D4-225I-B, D4-225I-C, D4-225I-D, D4-260A-A, D4-260A-B, D4-260A-C, D4-260A-D, D4-260D-B, D4-260D-C, D4-260D-D, D4-260I-A, D4-260I-B, D4-260I-C, D4-260I-D, D4-300A-A, D4-300A-C, D4-300A-D, D4-300D-A, D4-300D-C, D4-300D-D, D4-300I-A, D4-300I-C, D4-300I-D, D4-180I-E, D4-225A-E, D4-225I-E, D4-260A-E, D4-260D-E, D4-260I-E, D4-300A-E, D4-300D-E, D4-300I-E
Contacts and Sensors	7460	D4-180I-B, D4-180I-C, D4-180I-D, D4-210I-A, D4-210I-B, D4-225I-B, D4-225I-C, D4-225I-D, D4-260I-A, D4-260I-B, D4-260I-C, D4-260I-D, D4-300I-A, D4-300I-C, D4-300I-D, D4-180I-E, D4-225I-E, D4-260I-E, D4-300I-E
Contacts and Sensors	21555	D4-210A-A, D4-210A-B, D4-225A-B, D4-225A-C, D4-225A-D, D4-260A-A, D4-260A-B, D4-260A-C, D4-260A-D, D4-260D-B, D4-260D-C, D4-260D-D, D4-300A-A, D4-300A-C, D4-300A-D, D4-300D-A, D4-300D-C, D4-300D-D, D4-225A-E, D4-260A-E, D4-260D-E, D4-300A-E, D4-300D-E
Monitoring Panel, EVC-A	6299	D4-210A-A, D4-210I-A, D4-260A-A, D4-260A-B, D4-260I-A
Control Panel, EVC	35155	D4-180I-B, D4-180I-C, D4-180I-D, D4-210A-A, D4-210A-B, D4-210I-A, D4-210I-B, D4-225A-B, D4-225A-C, D4-225A-D, D4-225I-B, D4-225I-C, D4-225I-D, D4-260A-A, D4-260A-B, D4-260A-C, D4-260A-D, D4-260D-B, D4-260D-C, D4-260D-D, D4-260I-A, D4-260I-B, D4-260I-C, D4-260I-D, D4-300A-A, D4-300A-C, D4-300A-D, D4-300D-A, D4-300D-C, D4-300D-D, D4-300I-A, D4-300I-C, D4-300I-D, D4-180I-E, D4-225A-E, D4-225I-E, D4-260A-E, D4-260D-E, D4-260I-E, D4-300A-E, D4-300D-E, D4-300I-E



--

DESCRIPTION	SEE SEC.	NOTES
Control Panel, EVC-C	10047	D4-180I-B, D4-210A-A, D4-210A-B, D4-210I-B, D4-225A-B, D4-225I-B, D4-260A-A, D4-260A-B, D4-260D-B, D4-260I-A, D4-260I-B, D4-300A-A, D4-300D-A, D4-300I-A
Control Panel, EVC-B, EVC-B2	7564	D4-180I-B, D4-210A-A, D4-210A-B, D4-210I-B, D4-225A-B, D4-225I-B, D4-260A-A, D4-260A-B, D4-260I-A, D4-260I-B
Control Panel for Dockingstation, EVC-C, EVC-C2	35153	D4-260D-B, D4-260D-C, D4-260D-D, D4-300D-A, D4-300D-C, D4-300D-D, D4-260D-E, D4-300D-E
Mini-display, top Mounting, EVC-D	36140	D4-180I-E, D4-225A-E, D4-225I-E, D4-260A-E, D4-260D-E, D4-260I-E, D4-300A-E, D4-300D-E, D4-300I-E
Mini-display, Flush Mounting, EVC-D	36141	D4-180I-E, D4-225A-E, D4-225I-E, D4-260A-E, D4-260D-E, D4-260I-E, D4-300A-E, D4-300D-E, D4-300I-E
EVC 4" Color Display	36830	D4-180I-B, D4-180I-C, D4-210A-A, D4-210A-B, D4-210I-A, D4-210I-B, D4-225A-B, D4-225A-C, D4-225I-B, D4-225I-C, D4-260A-A, D4-260A-B, D4-260A-C, D4-260D-B, D4-260D-C, D4-260I-A, D4-260I-B, D4-260I-C, D4-300A-A, D4-300A-C, D4-300D-A, D4-300D-C, D4-300I-A, D4-300I-C, D4-180I-E, D4-225A-E, D4-225I-E, D4-260A-E, D4-260D-E, D4-260I-E, D4-300A-E, D4-300D-E, D4-300I-E
EVC 7" Color Display	35753	D4-180I-B, D4-180I-C, D4-210A-A, D4-210A-B, D4-210I-A, D4-210I-B, D4-225A-B, D4-225A-C, D4-225I-B, D4-225I-C, D4-260A-A, D4-260A-B, D4-260A-C, D4-260D-B, D4-260D-C, D4-260I-A, D4-260I-B, D4-260I-C, D4-300A-A, D4-300A-C, D4-300D-A, D4-300D-C, D4-300I-A, D4-300I-C, D4-180I-E, D4-225A-E, D4-225I-E, D4-260A-E, D4-260D-E, D4-260I-E, D4-300A-E, D4-300D-E, D4-300I-E
Secondary Station, Single Installation, EVC-D	36153	D4-180I-E, D4-225A-E, D4-225I-E, D4-260A-E, D4-260D-E, D4-260I-E, D4-300A-E, D4-300D-E, D4-300I-E
Secondary Station, Twin Installation, EVC-D	36154	D4-180I-E, D4-225A-E, D4-225I-E, D4-260A-E, D4-260D-E, D4-260I-E, D4-300A-E, D4-300D-E, D4-300I-E
Secondary Station Twin Electronic Steering, EVC-D	36159	D4-180I-E, D4-225A-E, D4-225I-E, D4-260A-E, D4-260D-E, D4-260I-E, D4-300A-E, D4-300D-E, D4-300I-E
Docking Station, Sterndrive, Twin Installation, B2, C1, C2 IPS, EVC-D	36168	D4-225A-E, D4-260A-E, D4-300A-E
Docking Station, IPS, Twin Installation, EVC-D	36169	D4-260D-E, D4-300D-E
Tank Meter Kit for Fuel	274	D4-180I-B, D4-180I-C, D4-180I-D, D4-210A-A, D4-210A-B, D4-210I-A, D4-210I-B, D4-225A-B, D4-225A-C, D4-225A-D, D4-225I-B, D4-225I-C, D4-225I-D, D4-260A-A, D4-260A-B, D4-260A-C, D4-260A-D, D4-260D-B, D4-260D-C, D4-260D-D, D4-260I-A, D4-260I-B, D4-260I-C, D4-260I-D, D4-300A-A, D4-300A-C, D4-300A-D, D4-300D-A, D4-300D-C, D4-300D-D, D4-300I-A, D4-300I-C, D4-300I-D, D4-180I-E, D4-225A-E, D4-225I-E, D4-260A-E, D4-260D-E, D4-260I-E, D4-300A-E, D4-300D-E, D4-300I-E
Fuel Tank Sender, EVC	6371	D4-180I-B, D4-180I-C, D4-180I-D, D4-210A-A, D4-210A-B, D4-210I-A, D4-210I-B, D4-225A-B, D4-225A-C, D4-225A-D, D4-225I-B, D4-225I-C, D4-225I-D, D4-260A-A, D4-260A-B, D4-260A-C, D4-260A-D, D4-260D-B, D4-260D-C, D4-260D-D, D4-260I-A, D4-260I-B, D4-260I-C, D4-260I-D, D4-300A-A, D4-300A-C, D4-300A-D, D4-300D-A, D4-300D-C, D4-300D-D, D4-300I-A, D4-300I-C, D4-300I-D, D4-180I-E, D4-225A-E, D4-225I-E, D4-260A-E, D4-260D-E, D4-260I-E, D4-300A-E, D4-300D-E, D4-300I-E
Fuel Tank Sender, EVC	36336	D4-180I-B, D4-180I-C, D4-180I-D, D4-210A-A, D4-210A-B, D4-210I-A, D4-210I-B, D4-225A-B, D4-225A-C, D4-225A-D, D4-225I-B, D4-225I-C, D4-225I-D, D4-260A-A, D4-260A-B, D4-260A-C, D4-260A-D, D4-260D-B, D4-260D-C, D4-260D-D, D4-260I-A, D4-260I-B, D4-260I-C, D4-260I-D, D4-300A-A, D4-300A-C, D4-300A-D, D4-300D-A, D4-300D-C, D4-300D-D, D4-300I-A, D4-300I-C, D4-300I-D, D4-180I-E, D4-225A-E, D4-225I-E, D4-260A-E, D4-260D-E, D4-260I-E, D4-300A-E, D4-300D-E, D4-300I-E
Tank Meter Kit for Fresh Water	8385	D4-180I-B, D4-180I-C, D4-180I-D, D4-210A-A, D4-210A-B, D4-210I-A, D4-210I-B, D4-225A-B, D4-225A-C, D4-225A-D, D4-225I-B, D4-225I-C, D4-225I-D, D4-260A-A, D4-260A-B, D4-260A-C, D4-260A-D, D4-260D-B, D4-260D-C, D4-260D-D, D4-260I-A, D4-260I-B, D4-260I-C, D4-260I-D, D4-300A-A, D4-300A-C, D4-300A-D, D4-300D-A, D4-300D-C, D4-300D-D, D4-300I-A, D4-300I-C, D4-300I-D, D4-180I-E, D4-225A-E, D4-225I-E, D4-260A-E, D4-260D-E, D4-260I-E, D4-300A-E, D4-300D-E, D4-300I-E
Tank Meter Kit for Fresh Water	35681	D4-180I-B, D4-180I-C, D4-180I-D, D4-210A-A, D4-210A-B, D4-210I-A, D4-210I-B, D4-225A-B, D4-225A-C, D4-225A-D, D4-225I-B, D4-225I-C, D4-225I-D, D4-260A-A, D4-260A-B, D4-260A-C, D4-260A-D, D4-260D-B, D4-260D-C, D4-260D-D, D4-260I-A, D4-260I-B, D4-260I-C, D4-260I-D, D4-300A-A, D4-300A-C, D4-300A-D, D4-300D-A, D4-300D-C, D4-300D-D, D4-300I-A, D4-300I-C, D4-300I-D, D4-180I-E, D4-225A-E, D4-225I-E, D4-260A-E, D4-260D-E, D4-260I-E, D4-300A-E, D4-300D-E, D4-300I-E
Electrical System and Instruments, SOLAS	21431	D4-180I-B, D4-210A-A, D4-210A-B, D4-210I-A, D4-210I-B, D4-225A-B, D4-225I-B, D4-260A-A, D4-260A-B, D4-260D-B, D4-260I-A, D4-260I-B
Electrical Materials	1963	D4-180I-B, D4-180I-C, D4-180I-D, D4-210A-A, D4-210A-B, D4-210I-A, D4-210I-B, D4-225A-B, D4-225A-C, D4-225A-D, D4-225I-B, D4-225I-C, D4-225I-D, D4-260A-A, D4-260A-B, D4-260A-C, D4-260A-D, D4-260D-B, D4-260D-C, D4-260D-D, D4-260I-A, D4-260I-B, D4-260I-C, D4-260I-D, D4-300A-A, D4-300A-C, D4-300A-D, D4-300D-A, D4-300D-C, D4-300D-D, D4-300I-A, D4-300I-C, D4-300I-D, D4-180I-E, D4-225A-E, D4-225I-E, D4-260A-E, D4-260D-E, D4-260I-E, D4-300A-E, D4-300D-E, D4-300I-E
Electrical Materials	1964	D4-180I-B, D4-180I-C, D4-180I-D, D4-210A-A, D4-210A-B, D4-210I-A, D4-210I-B, D4-225A-B, D4-225A-C, D4-225A-D, D4-225I-B, D4-225I-C, D4-225I-D, D4-260A-A, D4-260A-B, D4-260A-C, D4-260A-D, D4-260D-B, D4-260D-C, D4-260D-D, D4-260I-A, D4-260I-B, D4-260I-C, D4-260I-D, D4-300A-A, D4-300A-C, D4-300A-D, D4-300D-A, D4-300D-C, D4-300D-D, D4-300I-A, D4-300I-C, D4-300I-D, D4-180I-E, D4-225A-E, D4-225I-E, D4-260A-E, D4-260D-E, D4-260I-E, D4-300A-E, D4-300D-E, D4-300I-E
Electrical Materials	1965	D4-180I-B, D4-180I-C, D4-180I-D, D4-210A-A, D4-210A-B, D4-210I-A, D4-210I-B, D4-225A-B, D4-225A-C, D4-225A-D, D4-225I-B, D4-225I-C, D4-225I-D, D4-260A-A, D4-260A-B, D4-260A-C, D4-260A-D, D4-260D-B, D4-260D-C, D4-260D-D, D4-260I-A, D4-260I-B, D4-260I-C, D4-260I-D, D4-300A-A, D4-300A-C, D4-300A-D, D4-300D-A, D4-300D-C, D4-300D-D, D4-300I-A, D4-300I-C, D4-300I-D, D4-180I-E, D4-225A-E, D4-225I-E, D4-260A-E, D4-260D-E, D4-260I-E, D4-300A-E, D4-300D-E, D4-300I-E



--

DESCRIPTION	SEE SEC.	NOTES
Flywheel Housing and Primary Shaft	7574	D4-210A-A, D4-210A-B, D4-225A-B, D4-225A-C, D4-260A-A, D4-260A-B, D4-260A-C, D4-300A-A, D4-300A-C, DPH-A, DPH-B, DPR-A, DPR-B
Exhaust Pipe and Cooling Water Pipe DPH/DPR Drive Unit	35258	D4-210A-A, D4-210A-B, D4-225A-B, D4-225A-C, D4-225A-D, D4-260A-A, D4-260A-B, D4-260A-C, D4-260A-D, D4-300A-A, D4-300A-C, D4-300A-D, D4-225A-E, D4-260A-E, D4-300A-E, DPH-A, DPH-B, DPR-A, DPR-B
Actuator	8864	D4-210A-A, D4-210A-B, D4-225A-B, D4-225A-C, D4-225A-D, D4-260A-A, D4-260A-B, D4-260A-C, D4-260A-D, D4-300A-A, D4-300A-C, D4-300A-D, D4-225A-E, D4-260A-E, D4-300A-E, DPH-A, DPH-B, DPR-A, DPR-B
Jack Shaft, Connecting Components	21940	D4-180I-B, D4-180I-C, D4-180I-D, D4-210I-A, D4-210I-B, D4-225I-B, D4-225I-C, D4-225I-D, D4-260A-A, D4-260A-B, D4-260A-C, D4-260A-D, D4-260I-A, D4-260I-B, D4-260I-C, D4-260I-D, D4-300A-A, D4-300A-C, D4-300A-D, D4-300I-A, D4-300I-C, D4-300I-D, D4-180I-E, D4-225A-E, D4-225I-E, D4-260A-E, D4-260I-E, D4-300A-E, D4-300I-E
Jack Shaft Kit	21872	D4-210A-A, D4-210A-B, D4-225A-B, D4-225A-C, D4-225A-D, D4-260A-A, D4-260A-B, D4-260A-C, D4-260A-D, D4-300A-A, D4-300A-C, D4-300A-D, D4-225A-E, D4-260A-E, D4-300A-E, DPH-A, DPH-B, DPR-A, DPR-B
Connecting Kit for Borg Warner SAE4 and SAE7	8144	D4-180I-B, D4-180I-C, D4-180I-D, D4-210I-B, D4-225I-B, D4-225I-C, D4-225I-D, D4-260I-B, D4-260I-C, D4-260I-D, D4-300I-A, D4-300I-C, D4-300I-D, D4-180I-E, D4-225I-E, D4-260I-E, D4-300I-E
Connecting Kit Reverse Gear HS45AE	35797	D4-180I-C, D4-180I-D, D4-225I-B, D4-225I-C, D4-225I-D, D4-180I-E, D4-225I-E
Connecting Kit Reverse Gear HS45AE	35061	D4-225I-B, D4-225I-C, D4-225I-D, D4-225I-E
Connecting Kit Reverse Gear HS63AE	35082	D4-225I-B, D4-225I-C, D4-260I-A, D4-260I-B, D4-260I-C
Connecting Kit Reverse Gear HS63AE	35761	D4-300I-A, D4-300I-C, D4-300I-D, D4-300I-E
Connecting Kit Reverse Gear HS63IVE	35080	D4-180I-B, D4-180I-C, D4-225I-B, D4-225I-C, D4-260I-A, D4-260I-B, D4-260I-C
Connecting Kit Reverse Gear HS63IVE	35273	D4-300I-A, D4-300I-C, D4-300I-D, D4-300I-E
Connecting Kit Reverse Gear HS80AE	35050	D4-300I-A, D4-300I-C, D4-300I-D, D4-300I-E
Connecting Kit Reverse Gear HS80AE. SN2004017199-	35049	D4-300I-A
Steering Motor EVC-C	21953	D4-260D-B, D4-260D-C, D4-300D-A, D4-300D-C
Steering Motor EVC-C3	35923	D4-260D-B, D4-260D-C, D4-260D-D, D4-300D-A, D4-300D-C, D4-300D-D, D4-260D-E, D4-300D-E
Steering Motor EVC-D	36254	D4-260D-B, D4-260D-C, D4-260D-D, D4-300D-A, D4-300D-C, D4-300D-D, D4-260D-E, D4-300D-E
Mounting Kit, Clamp Ring	36715	D4-260D-B, D4-260D-C, D4-260D-D, D4-300D-A, D4-300D-C, D4-300D-D, D4-260D-E, D4-300D-E
Connecting Shaft and Housing, Diesel, 335mm	21420	D4-260D-B, D4-260D-C, D4-260D-D, D4-300D-A, D4-300D-C, D4-300D-D, D4-260D-E, D4-300D-E
Connecting Shaft and Housing, Diesel, 335mm	36720	D4-260D-B, D4-260D-C, D4-260D-D, D4-300D-A, D4-300D-C, D4-300D-D, D4-260D-E, D4-300D-E
Connecting Shaft and Housing, Diesel, Length >335mm	36721	D4-260D-B, D4-260D-C, D4-260D-D, D4-300D-A, D4-300D-C, D4-300D-D, D4-260D-E, D4-300D-E



--

DESCRIPTION	SEE SEC.	NOTES
Main Station, Single Installation, EVC-D	36146	D4-180I-E, D4-225A-E, D4-225I-E, D4-260A-E, D4-260D-E, D4-260I-E, D4-300A-E, D4-300D-E, D4-300I-E
Main Station, Twin Installation, EVC-D	36147	D4-180I-E, D4-225A-E, D4-225I-E, D4-260A-E, D4-260D-E, D4-260I-E, D4-300A-E, D4-300D-E, D4-300I-E
Main Station, Sterndrive, Twin Installation, EVC-D	36189	D4-180I-E, D4-225A-E, D4-225I-E, D4-260A-E, D4-260I-E, D4-300A-E, D4-300I-E
Main Station IPS, Twin Electronic Steering, EVC-D	36155	D4-180I-E, D4-225A-E, D4-225I-E, D4-260D-E, D4-260I-E, D4-300D-E, D4-300I-E
Main Station, Triple Installation, EVC-D	36148	D4-180I-E, D4-225A-E, D4-225I-E, D4-260A-E, D4-260D-E, D4-260I-E, D4-300A-E, D4-300D-E, D4-300I-E
Power Steering Pump Kit, Early Production	7024	D4-180I-B, D4-210A-A, D4-210A-B, D4-210I-A, D4-210I-B, D4-225A-B, D4-225I-B, D4-260A-A, D4-260A-B, D4-260I-A, D4-260I-B, D4-300A-A, D4-300I-A
Power Steering Pump Kit, Later Production	36275	D4-180I-B, D4-180I-C, D4-180I-D, D4-210A-A, D4-210A-B, D4-210I-A, D4-210I-B, D4-225A-B, D4-225A-C, D4-225A-D, D4-225I-B, D4-225I-C, D4-225I-D, D4-260A-A, D4-260A-B, D4-260A-C, D4-260A-D, D4-260D-B, D4-260D-C, D4-260D-D, D4-260I-A, D4-260I-B, D4-260I-C, D4-260I-D, D4-300A-A, D4-300A-C, D4-300A-D, D4-300D-A, D4-300D-C, D4-300D-D, D4-300I-A, D4-300I-C, D4-300I-D, D4-180I-E, D4-225A-E, D4-225I-E, D4-260A-E, D4-260D-E, D4-260I-E, D4-300A-E, D4-300D-E, D4-300I-E
Power Steering Pump Kit, Later Production	36904	D4-225A-D, D4-260A-D, D4-300A-D, D4-225A-E, D4-260A-E, D4-300A-E
Steering System, Early	7091	D4-210A-A, D4-210A-B, D4-225A-B, D4-260A-A, D4-260A-B
Steering System, Later	9807	D4-210A-A, D4-210A-B, D4-225A-B, D4-225A-C, D4-225A-D, D4-260A-A, D4-260A-B, D4-260A-C, D4-260A-D, D4-300A-A, D4-300A-C, D4-300A-D, D4-225A-E, D4-260A-E, D4-300A-E
Mounting Kit Dph, with Electronic Steering, Main Station, EVC-C3	35910	D4-225A-D, D4-260D-B, D4-260D-C, D4-260D-D, D4-300D-A, D4-300D-C, D4-300D-D, D4-225A-E, D4-260D-E, D4-300D-E
Mounting Kit IPS, Main Station, EVC-C	21441	D4-260D-B, D4-300D-A
Mounting Kit IPS, Second Station, EVC-C	21442	D4-260D-B, D4-300D-A
Mounting Kit IPS, Main Station, EVC-C3	35766	D4-260D-B, D4-260D-C, D4-260D-D, D4-300D-A, D4-300D-C, D4-300D-D, D4-260D-E, D4-300D-E
Mounting Kit IPS, Second Station, EVC-C3	35771	D4-260D-B, D4-260D-C, D4-260D-D, D4-300D-A, D4-300D-C, D4-300D-D, D4-260D-E, D4-300D-E

--

DESCRIPTION	SEE SEC.	NOTES
Belt Guard for Engines without Compressor. Extra Equipment	36399	D4-180I-B, D4-180I-C, D4-180I-D, D4-210A-A, D4-210A-B, D4-210I-A, D4-210I-B, D4-225A-B, D4-225A-C, D4-225A-D, D4-225I-B, D4-225I-C, D4-225I-D, D4-260I-A, D4-260I-B, D4-260I-C, D4-260I-D, D4-300I-A, D4-300I-C, D4-300I-D, D4-180I-E, D4-225A-E, D4-225I-E, D4-260I-E, D4-300I-E
Belt Guard for Engines with Compressor. Extra Equipment	36400	D4-260A-A, D4-260A-B, D4-260A-C, D4-260A-D, D4-260D-B, D4-260D-C, D4-260D-D, D4-300A-A, D4-300A-C, D4-300A-D, D4-300D-A, D4-300D-C, D4-300D-D, D4-260A-E, D4-260D-E, D4-300A-E, D4-300D-E
Universal Bracket	7126	D4-180I-B, D4-180I-C, D4-180I-D, D4-210A-A, D4-210A-B, D4-210I-A, D4-210I-B, D4-225A-B, D4-225A-C, D4-225A-D, D4-225I-B, D4-225I-C, D4-225I-D, D4-260A-A, D4-260A-B, D4-260A-C, D4-260A-D, D4-260D-B, D4-260D-C, D4-260D-D, D4-260I-A, D4-260I-B, D4-260I-C, D4-260I-D, D4-300A-A, D4-300A-C, D4-300A-D, D4-300D-A, D4-300D-C, D4-300D-D, D4-300I-A, D4-300I-C, D4-300I-D, D4-180I-E, D4-225A-E, D4-225I-E, D4-260A-E, D4-260D-E, D4-260I-E, D4-300A-E, D4-300D-E, D4-300I-E

--

DESCRIPTION	SEE SEC.	NOTES
Repair Kits	7043	D4-180I-B, D4-180I-C, D4-180I-D, D4-210A-A, D4-210A-B, D4-210I-A, D4-210I-B, D4-225A-B, D4-225A-C, D4-225A-D, D4-225I-B, D4-225I-C, D4-225I-D, D4-260A-A, D4-260A-B, D4-260A-C, D4-260A-D, D4-260D-B, D4-260D-C, D4-260D-D, D4-260I-A, D4-260I-B, D4-260I-C, D4-260I-D, D4-300A-A, D4-300A-C, D4-300A-D, D4-300D-A, D4-300D-C, D4-300D-D, D4-300I-A, D4-300I-C, D4-300I-D

D4-180I-B, D4-180I-C, D4-180I-D, D4-210A-A, D4-210A-B, D4-210I-A, D4-210I-B,
 D4-225A-B, D4-225A-C, D4-225A-D, D4-225I-B, D4-225I

--

REF	DESCRIPTION	SEE SEC.
21	Engine	21
22	Lubricating System	22
23	Fuel System	23
25	Intake and Exhaust System	25
26	Cooling System	26
27	Controls	27
30	Electrical System	30
44	Transmissions	44
64	Steering System	64
90	Miscellaneous Equipment	90
99	Repair Kits	99

--	--	--

