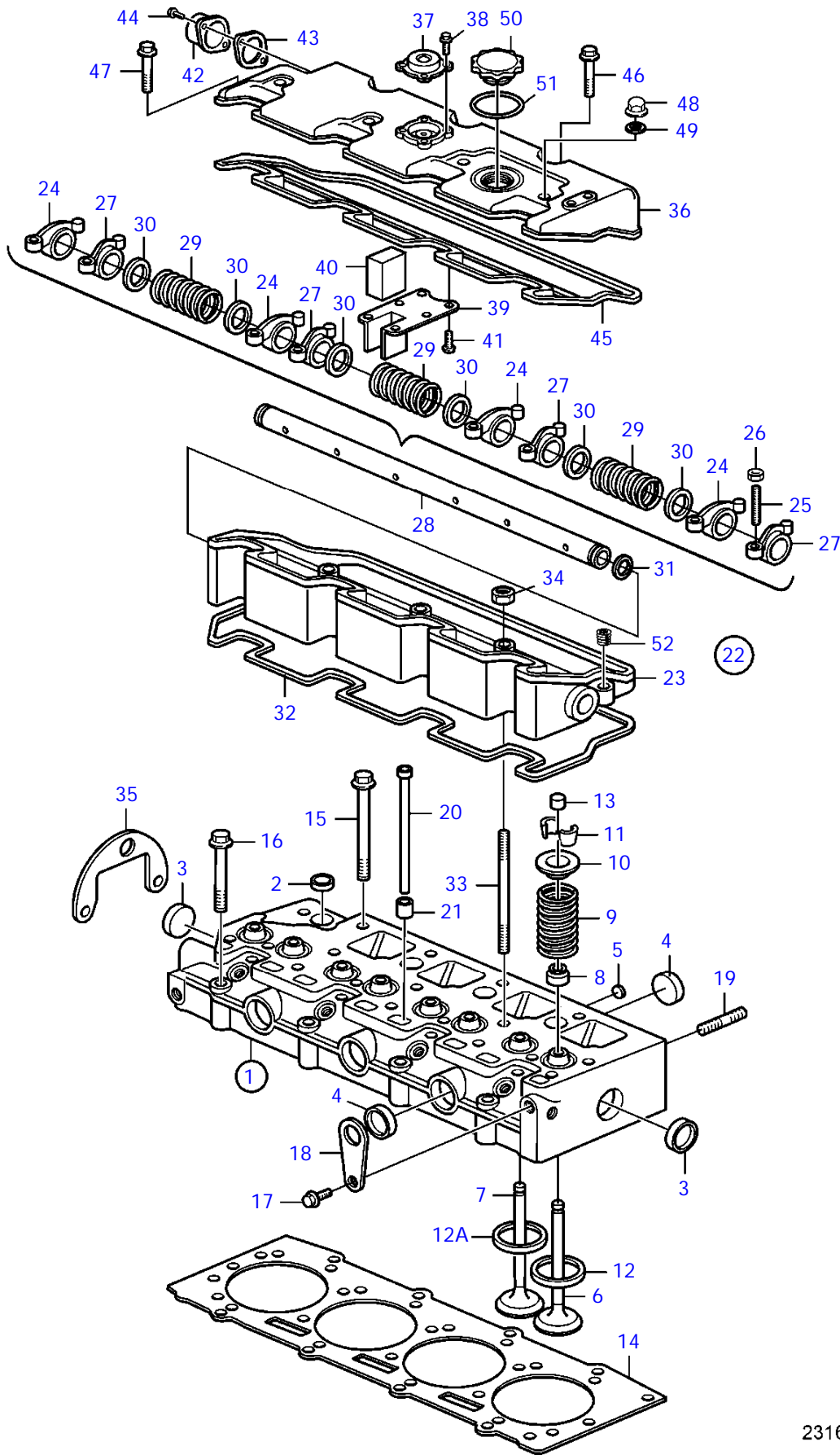


D2-55A, D2-55B, D2-55C, D2-55D, D2-55E

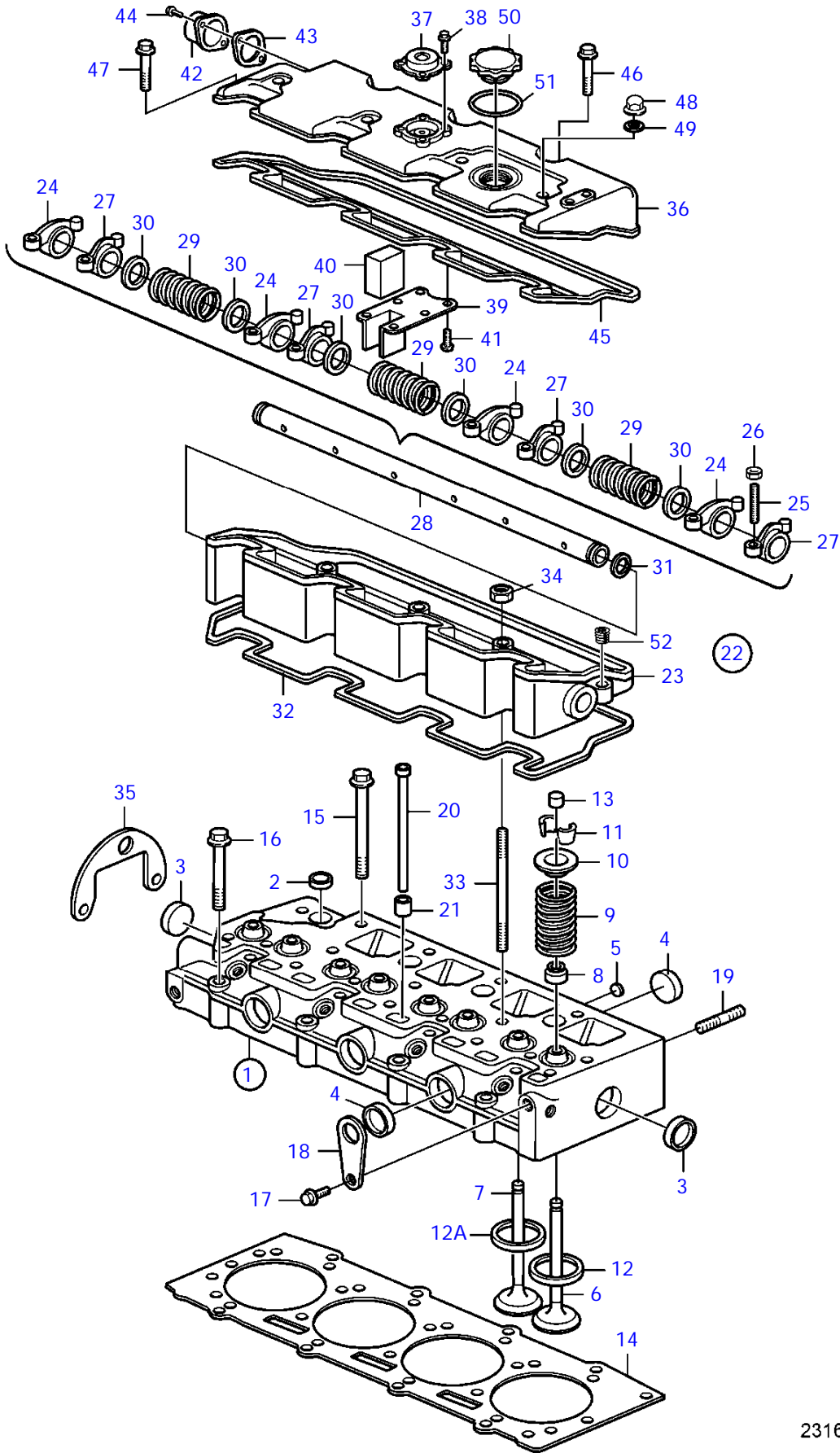


23168

D2-55A, D2-55B, D2-55C, D2-55D, D2-55E

| REF | PART NO. | QTY | DESCRIPTION | NOTES |
|-----|----------|-----|----------------------------|-----------|
| 1 | 3809611 | 1 | Cylinder head | |
| 2 | 3886428 | 7 | * Cardboard tube | |
| 3 | 3886441 | 2 | * Plug | |
| 4 | 3583696 | 6 | * Plug | |
| 5 | 3580477 | 3 | * Plug | |
| 6 | 3580478 | 4 | * Inlet valve | |
| 7 | 21186282 | 4 | * Valve | |
| 8 | 3580306 | 4 | * Valve stem seal, intake | |
| | 3580305 | 4 | * Valve stem seal, exhaust | |
| 9 | 3580964 | 8 | * Valve spring | |
| 10 | 3580307 | 8 | * Valve spring washer | |
| 11 | 3580308 | 16 | * Valve cone | |
| 12 | 3842086 | 4 | * Valve seat, intake | |
| 12A | 3809624 | 4 | * Valve seat, exhaust | |
| 13 | 21250646 | 8 | Valve cap | |
| 14 | 21228429 | 1 | Cylinder head gasket | |
| 15 | 3580483 | 14 | Screw | |
| 16 | 3580484 | 4 | Screw | |
| 17 | 861870 | 1 | Screw | |
| 18 | 3583556 | 1 | Lifting eye | |
| 19 | 3583731 | 2 | Stud | |
| 20 | 3583662 | 8 | Push rod | |
| 21 | 3580464 | 8 | Tappet | |
| 22 | 3583543 | 1 | Rocker arm | Complete |
| 23 | | 1 | * Bracket | |
| 24 | 3580487 | 4 | * Rocker arm | |
| 25 | 861877 | 8 | * Screw | |
| 26 | 861878 | 8 | * Nut | |
| 27 | 3580486 | 4 | * Rocker arm | |
| 28 | 3583547 | 1 | * Shaft | |
| 29 | 3580490 | 3 | * Spring | |
| 30 | 3580491 | 6 | * Adjusting washer | |
| 31 | 861997 | 1 | * O-ring | |
| 32 | 3583546 | 1 | Gasket | |
| 33 | 3580493 | 4 | Stud | |
| 34 | 3583664 | 4 | Nut | |
| 35 | | 1 | Lifting eye | |
| 36 | 889485 | 1 | Valve cover | |
| 37 | 3583660 | 1 | Breather pipe | |
| 38 | 3583659 | 4 | Screw | |
| 39 | 3583661 | 1 | Retainer | |
| 40 | 3580320 | 1 | Filter | |
| 41 | 3583663 | 6 | Screw | |
| 42 | 3583657 | 1 | Adapter | |
| 43 | 3583658 | 1 | Gasket | |
| 44 | 3580013 | 2 | Screw | |
| 45 | 889486 | 1 | Gasket | |
| 46 | 965178 | 3 | Flange screw | |
| 47 | 3580258 | 2 | Screw | L=35mm |
| 48 | 3580241 | 4 | Nut | |
| 49 | 3580499 | 4 | Gasket | |
| 50 | 3583541 | 1 | Oil filler cap | |
| 51 | 861897 | 1 | O-ring | |
| 52 | 3809690 | 1 | Plug | (3583698) |

D2-55F

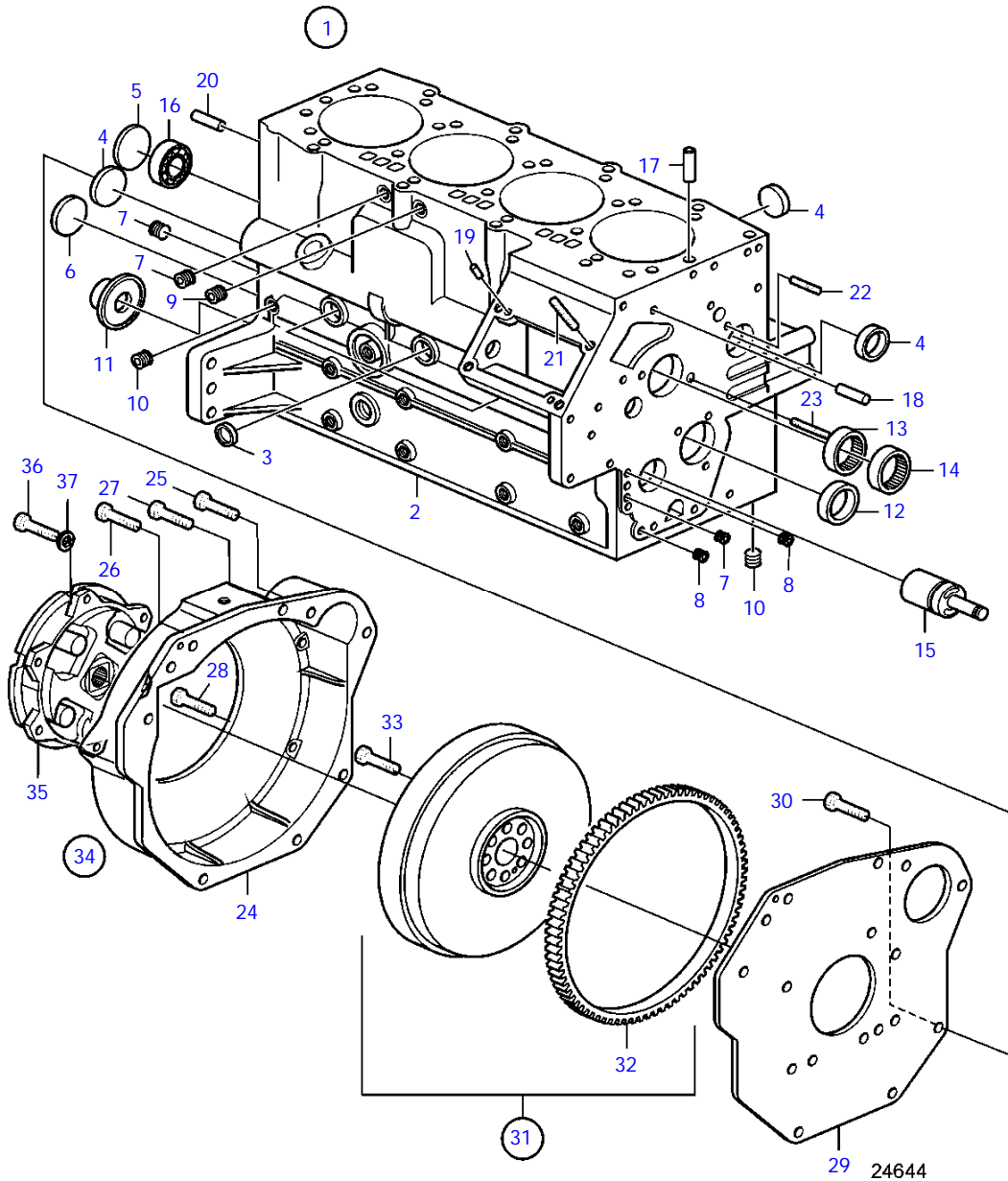


23168

D2-55F

| REF | PART NO. | QTY | DESCRIPTION | NOTES |
|-----|----------|-----|----------------------------|----------------------|
| 1 | 3801333 | 1 | Cylinder head | |
| 2 | 3886428 | 7 | * Cardboard tube | |
| 3 | 3886441 | 2 | * Plug | |
| 4 | 3583696 | 6 | * Plug | |
| 5 | 3580477 | 3 | * Plug | |
| 6 | 21186281 | 4 | * Valve, intake | |
| 7 | 21186282 | 4 | * Valve, exhaust | |
| 8 | 3580306 | 4 | * Valve stem seal, intake | |
| | 3580305 | 4 | * Valve stem seal, exhaust | |
| 9 | 3580964 | 8 | * Valve spring | |
| 10 | 3580307 | 8 | * Valve spring washer | |
| 11 | 3580308 | 16 | * Valve cone | |
| 12 | 3842086 | 4 | * Valve seat, intake | |
| 12A | 3809624 | 4 | * Valve seat, exhaust | |
| 13 | 21250646 | 8 | Valve cap | |
| 14 | 21186298 | 1 | Gasket | TH=1.2mm |
| | 21186299 | 1 | Gasket | TH=1.3mm |
| 15 | 3580483 | 14 | Screw | |
| 16 | 3580484 | 4 | Screw | |
| 17 | 861870 | 1 | Screw | |
| 18 | 3583556 | 1 | Lifting eye | |
| 19 | 3580520 | 4 | Stud | |
| 20 | 3583662 | 8 | Push rod | |
| 21 | 3580464 | 8 | Tappet | |
| 22 | 21186316 | 1 | Rocker arm | Replaced by 21306331 |
| | 21306331 | 1 | Rocker arm | |
| 23 | | 1 | * Bracket | |
| 24 | 3580487 | 4 | * Rocker arm | |
| 25 | 861877 | 8 | * Screw | |
| 26 | 861878 | 8 | * Nut | |
| 27 | 3580486 | 4 | * Rocker arm | |
| 28 | 3583547 | 1 | * Shaft | |
| 29 | 3580490 | 3 | * Spring | |
| 30 | 3580491 | 6 | * Adjusting washer | |
| 31 | 861997 | 1 | * O-ring | |
| 32 | 3583546 | 1 | Gasket | |
| 33 | 3580493 | 4 | Stud | |
| 34 | 3583664 | 4 | Nut | |
| 35 | | 1 | Lifting eye | |
| 36 | 889485 | 1 | Valve cover | |
| 37 | 3583660 | 1 | Breather pipe | |
| 38 | 3583659 | 4 | Screw | |
| 39 | 3583661 | 1 | Retainer | |
| 40 | 3580320 | 1 | Filter | |
| 41 | 3583663 | 6 | Screw | |
| 42 | | 1 | Adapter | |
| 43 | 3583658 | 1 | Gasket | |
| 44 | 3580013 | 2 | Screw | |
| 45 | 889486 | 1 | Gasket | |
| 46 | 965178 | 3 | Flange screw | |
| 47 | 3580258 | 2 | Screw | L=35mm |
| 48 | 3580500 | 4 | Nut | |
| 49 | 3580499 | 4 | Gasket | |
| 50 | 3583541 | 1 | Oil filler cap | |
| 51 | 861897 | 1 | O-ring | |
| 52 | 3809690 | 1 | Plug | |

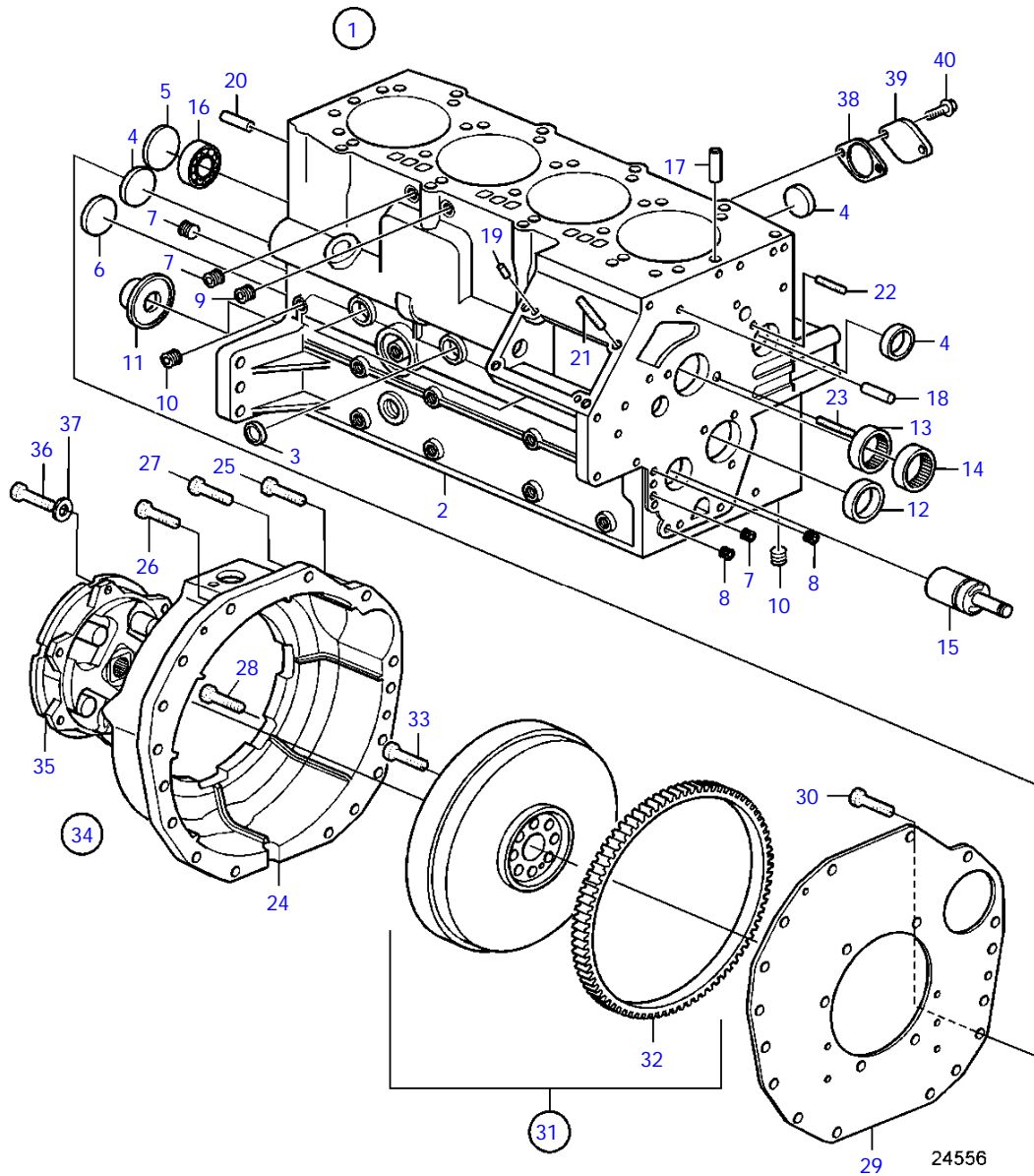
D2-55A, D2-55B, D2-55C, D2-55D, D2-55E



D2-55A, D2-55B, D2-55C, D2-55D, D2-55E

| REF | PART NO. | QTY | DESCRIPTION | SEE SEC. | NOTES |
|-----|-----------|-----|--|-------------|-------------------------------------|
| 1 | | 1 | Cylinder block | | |
| 2 | (3583523) | 1 | * Cylinder block | | Obsolete part |
| 3 | 3583696 | 2 | * Plug | | |
| 4 | 3583697 | 5 | * Plug | | |
| 5 | 861813 | 1 | * Expansion plug | | |
| 6 | 3809690 | 1 | * Plug | | (3583698) |
| 7 | 861806 | 3 | * Plug | | |
| 8 | 3580455 | 2 | * Plug | | |
| 9 | 3807215 | 3 | * Plug | | (3580456) |
| 10 | 3583699 | 2 | * Plug | | |
| 11 | 3583700 | 1 | * Sealing | | |
| 12 | 3583701 | 1 | * Bushing | | |
| 13 | 3583702 | 1 | * Bearing | | |
| 14 | 3583703 | 1 | * Bearing | | |
| 15 | (3583704) | 1 | * Shaft | | Obsolete part, Replaced by 21541021 |
| | 21541021 | 1 | Oil pump | | |
| 16 | 861812 | 1 | * Bearing | | |
| 17 | 861818 | 2 | * Spring pin | | |
| 18 | | 2 | * Dowel | | |
| 19 | | 2 | * Pin | | |
| 20 | | 2 | * Pin | | |
| 21 | 3583705 | 3 | * Stud | | |
| 22 | 3583708 | 1 | * Stud | | |
| 23 | 3583709 | 1 | * Stud | | |
| 24 | 3587360 | 1 | Flywheel housing | | |
| 25 | 3583726 | 2 | Screw | | |
| 26 | 11998890 | 4 | Screw | | |
| 27 | 3583727 | 6 | Screw | | |
| 28 | 3583728 | 2 | Screw | | |
| 29 | 3583724 | 1 | Plate | | |
| 30 | 861870 | 10 | Screw | | |
| 31 | 3583691 | 1 | Flywheel | | |
| 32 | 3583850 | 1 | * Gear ring | | |
| 33 | 3580561 | 6 | Screw | | |
| 34 | 3812226 | 1 | Flexible coupling * Bulletin P-44-2-2 | P-44-2-2-EN | Flexible Coupling Kit |
| 35 | 3889314 | 1 | * Flexible coupling | | |
| 36 | 959223 | 6 | * Hex. socket screw | | (3808569) |
| 37 | 3808568 | 6 | Spacer washer | | |

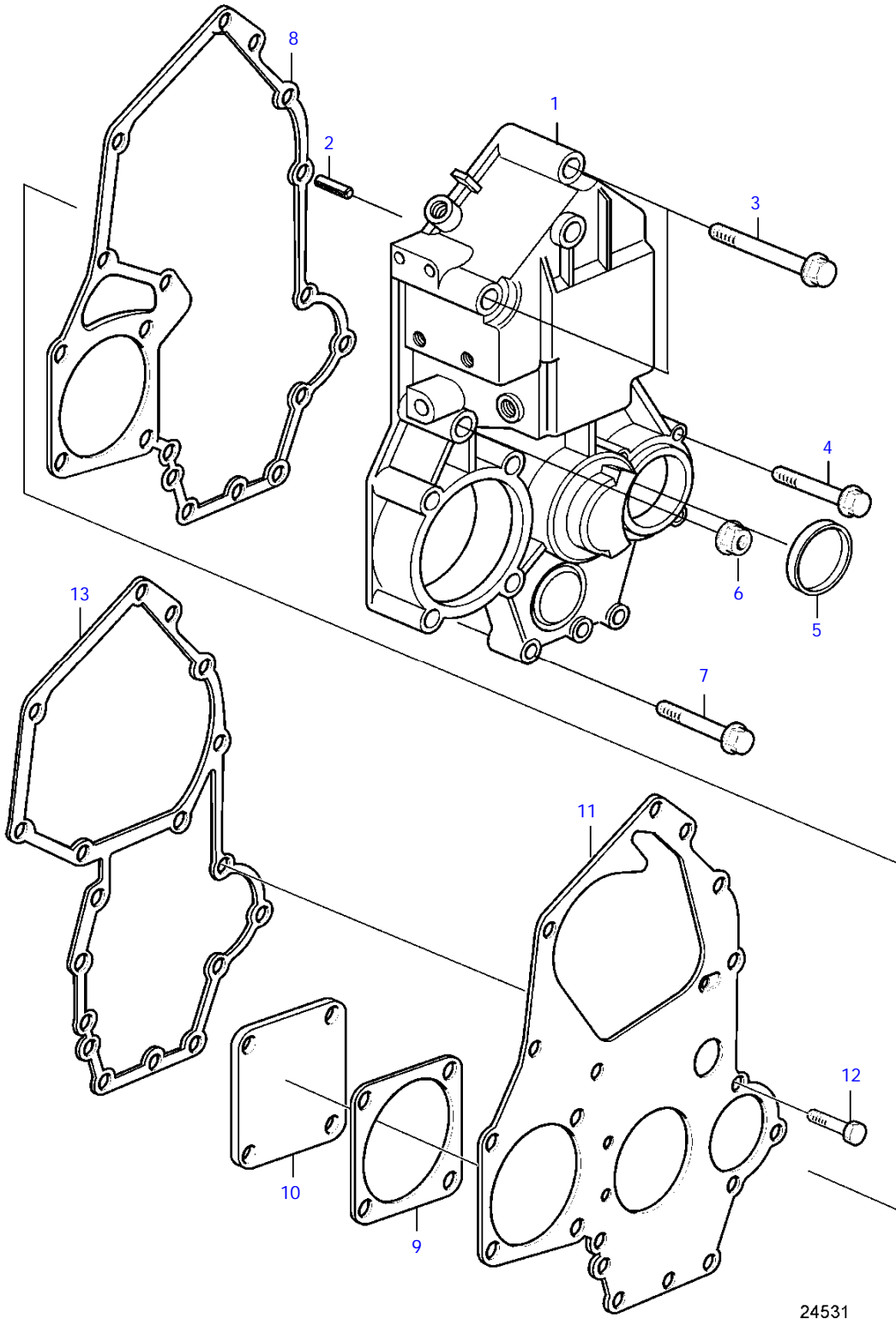
D2-55F



D2-55F

| REF | PART NO. | QTY | DESCRIPTION | SEE SEC. | NOTES |
|-----|----------|-----|--|-------------|-----------------------|
| 1 | | 1 | Cylinder block | | |
| 2 | | 1 | * Cylinder block | | |
| 3 | 3583696 | 2 | * Plug | | |
| 4 | 3583697 | 5 | * Plug | | |
| 5 | 861813 | 1 | * Expansion plug | | |
| 6 | 3809690 | 1 | * Plug | | |
| 7 | 861806 | 3 | * Plug | | |
| 8 | 3580455 | 2 | * Plug | | |
| 9 | 3807215 | 4 | * Plug | | |
| 10 | 3583699 | 3 | * Plug | | |
| 11 | 3583700 | 1 | * Sealing | | |
| 12 | 3580458 | 1 | * Main bearing | | |
| 13 | 3583702 | 1 | * Bearing | | |
| 14 | 3583703 | 1 | * Bearing | | |
| 15 | 21188306 | 1 | * Shaft | | Replaced by 21541019 |
| | 21541019 | 1 | Oil pump | | |
| 16 | 11010 | 1 | * Ball bearing | | |
| 17 | 861818 | 2 | * Spring pin | | |
| 18 | | 2 | * Dowel | | |
| 19 | | 2 | * Pin | | |
| 20 | | 2 | * Pin | | |
| 21 | 3583705 | 3 | * Stud | | |
| 22 | 3583708 | 1 | * Stud | | |
| 23 | 3583709 | 1 | * Stud | | |
| 24 | 3587360 | 1 | Flywheel housing | | |
| 25 | 3583726 | 2 | Screw | | |
| 26 | 21252735 | 4 | Flange screw | | |
| 27 | 3583727 | 6 | Screw | | |
| 28 | 3583728 | 2 | Screw | | |
| 29 | 3583724 | 1 | Plate | | |
| 30 | 861870 | 10 | Screw | | |
| 31 | 3583691 | 1 | Flywheel | | |
| 32 | 3583850 | 1 | * Gear ring | | |
| 33 | 3580561 | 6 | Screw | | |
| 34 | 3812226 | 1 | Flexible coupling * Bulletin P-44-2-2 | P-44-2-2-EN | Flexible Coupling Kit |
| 35 | 3889314 | 1 | * Flexible coupling | | |
| 36 | 959223 | 6 | * Hex. socket screw | | |
| 37 | 3808568 | 6 | Spacer washer | | |
| 38 | 3584110 | 1 | Gasket | | |
| 39 | 21194549 | 1 | Cover | | |
| 40 | 3884535 | 2 | Screw | | |

D2-55A, D2-55B, D2-55C, D2-55D, D2-55E

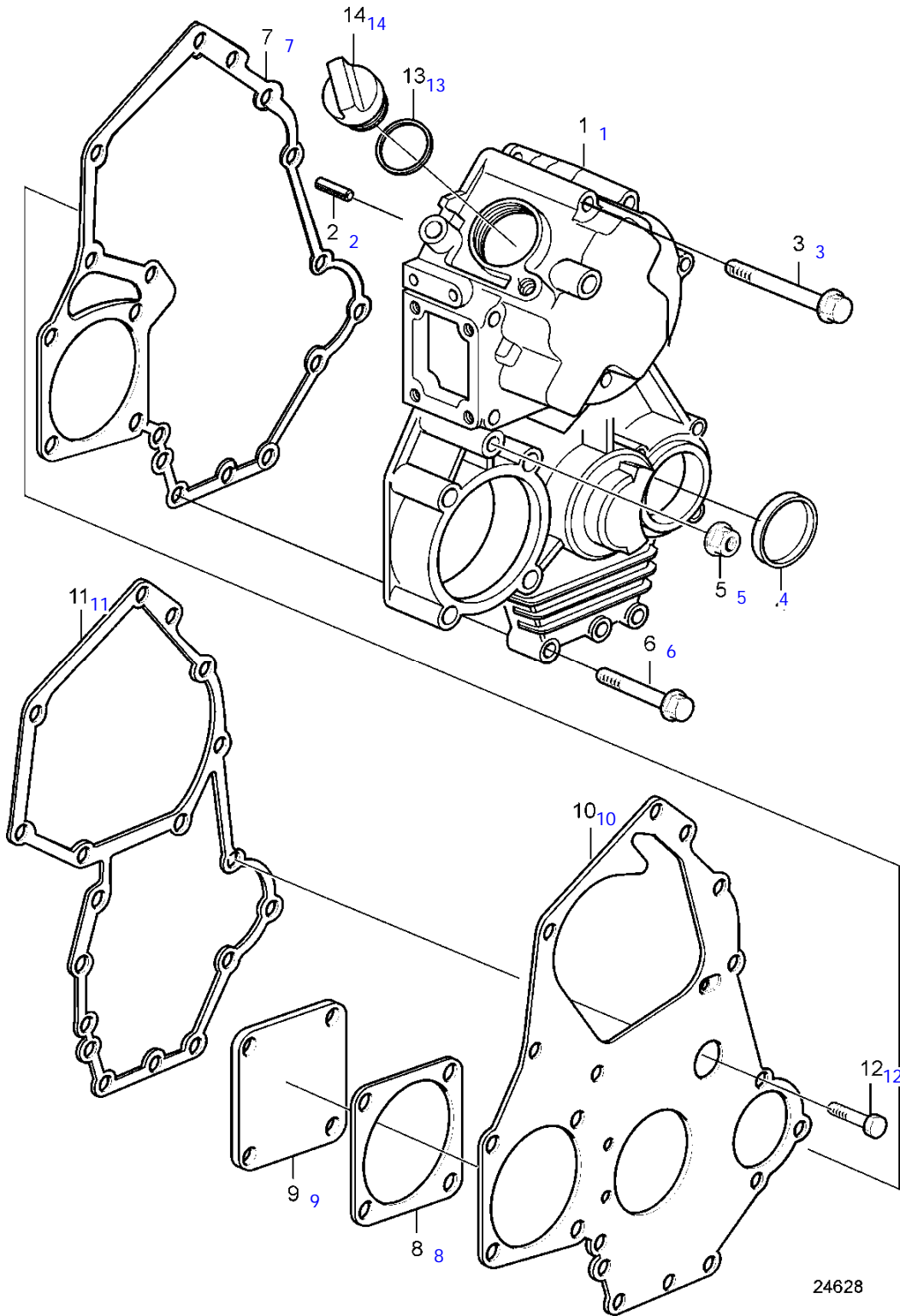


24531

D2-55A, D2-55B, D2-55C, D2-55D, D2-55E

| REF | PART NO. | QTY | DESCRIPTION |
|-----|----------|-----|--------------------|
| 1 | 3583550 | 1 | Timing gear casing |
| 2 | | 1 | * Tensioning din |
| 3 | 861899 | 2 | Screw |
| 4 | 965178 | 3 | Flange screw |
| 5 | 3580586 | 1 | Sealing ring |
| 6 | 945407 | 1 | Flange nut |
| 7 | 3580371 | 7 | Screw |
| 8 | 3583710 | 1 | Gasket |
| 9 | 3580378 | 1 | Gasket |
| 10 | 21193270 | 1 | Cover |
| 11 | | 1 | Front plate |
| 12 | 3583709 | 1 | Stud |
| 13 | 3583707 | 1 | Gasket |

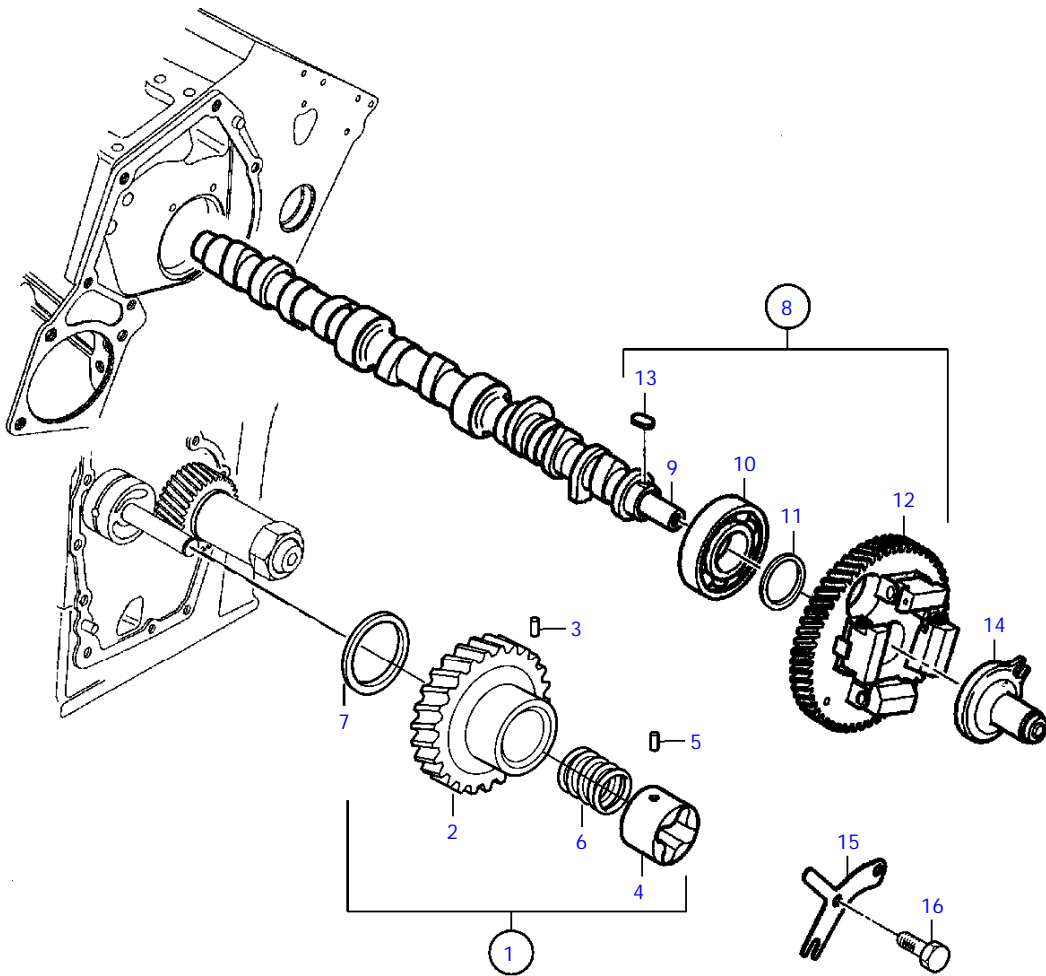
D2-55F



D2-55F

| REF | PART NO. | QTY | DESCRIPTION |
|-----|----------|-----|--------------------|
| 1 | 21193790 | 1 | Timing gear casing |
| 2 | | 1 | Tensioning din |
| 3 | 965178 | 3 | Flange screw |
| 4 | 3580586 | 1 | Sealing ring |
| 5 | 945407 | 1 | Flange nut |
| 6 | 3580053 | 5 | Screw |
| 7 | 3583710 | 1 | Gasket |
| 8 | 3580378 | 1 | Gasket |
| 9 | 21193270 | 4 | Cover |
| 10 | 21263150 | 1 | Front plate |
| 11 | 3583707 | 1 | Gasket |
| 12 | 861526 | 1 | Screw |
| 13 | 3886406 | 1 | Sealing |
| 14 | 3809653 | 1 | Oil filler cap |

D2-55A, D2-55B, D2-55C, D2-55D, D2-55E

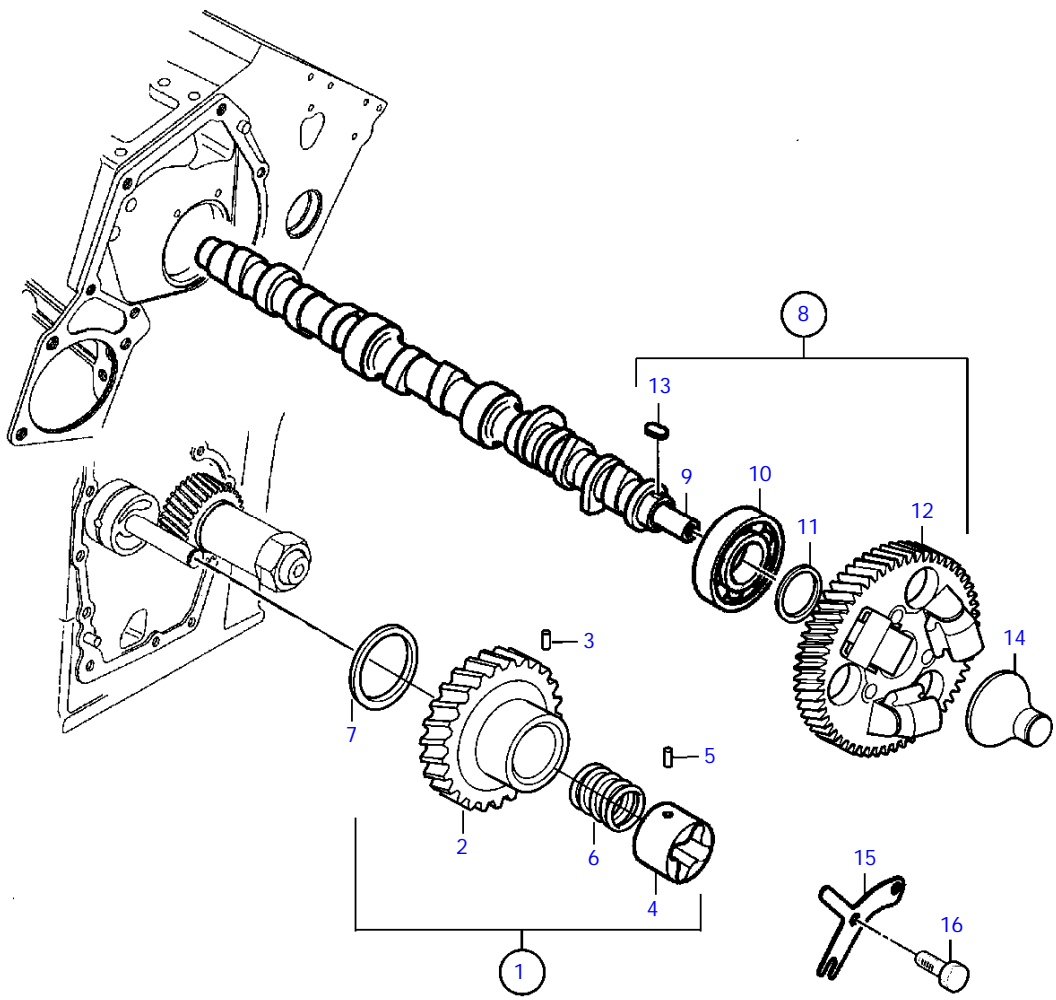


18946

D2-55A, D2-55B, D2-55C, D2-55D, D2-55E

| REF | PART NO. | QTY | DESCRIPTION | NOTES |
|-----|----------|-----|------------------|---|
| 1 | 3580569 | 1 | Gear | Complete, Replaced by 21541021 |
| | 21541021 | 1 | Oil pump | |
| 2 | | | * Gear | |
| 3 | 3583721 | 3 | * Bushing | |
| 4 | 3583722 | 1 | * Vane | Replaced by 1 pc complete oil pump gear 3580569 |
| 5 | 3583723 | 3 | * Locating pin | |
| 6 | 861988 | 1 | * Spring | |
| 7 | 861986 | 1 | Thrust washer | |
| 8 | 3583548 | 1 | Camshaft | Replaced by 3586433 |
| | 3586433 | 1 | Camshaft | |
| 9 | | 1 | * Camshaft | |
| 10 | 3583715 | 1 | * Bearing | |
| 11 | 3583717 | 1 | * Spacer | |
| 12 | 3583718 | 1 | * Gear | |
| 13 | 861969 | 1 | * Woodruff key | |
| 14 | 3580568 | 1 | * Sliding sleeve | |
| 15 | 3583720 | 1 | Plate | |
| 16 | 861526 | 1 | Screw | |

D2-55F



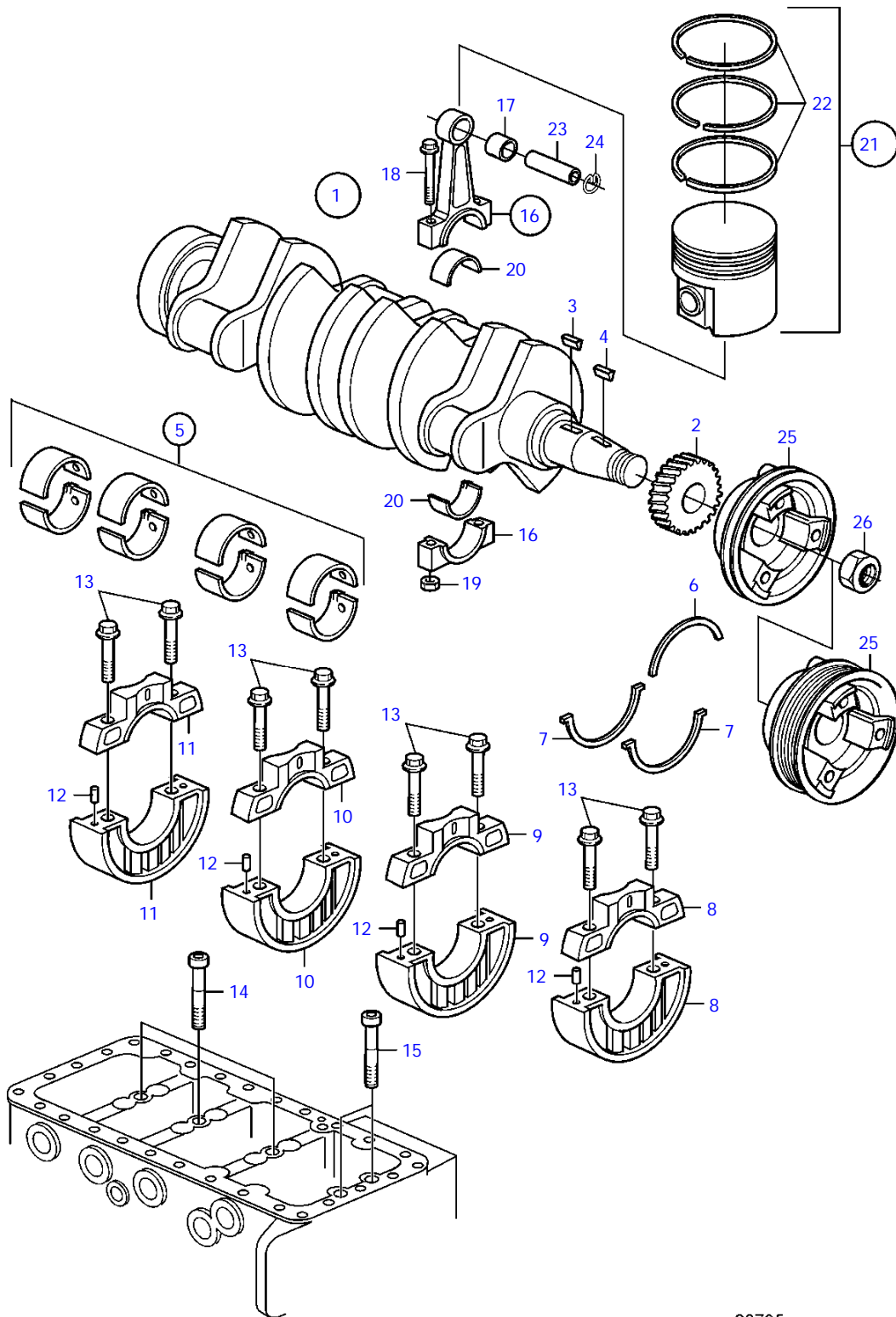
24435



D2-55F

| REF | PART NO. | QTY | DESCRIPTION | NOTES |
|-----|------------|-----|----------------|---|
| 1 | (21265543) | 1 | Gear | Complete, Replaced by 21541019, Obsolete part |
| | 21541019 | 1 | Oil pump | |
| 2 | | 1 | * Idler gear | |
| 3 | 3583721 | 3 | * Bushing | |
| 4 | | | * Rotor | |
| 5 | 3583723 | 3 | * Locating pin | |
| 6 | 21188232 | 1 | * Spring | |
| 7 | 21188649 | 1 | Plate | |
| 8 | 21189038 | 1 | Camshaft | |
| 9 | | 1 | * Camshaft | |
| 10 | 3583715 | 1 | * Bearing | |
| 11 | 3583717 | 1 | * Spacer | |
| 12 | 21189039 | 1 | * Gear | |
| 13 | 861969 | 1 | * Woodruff key | |
| 14 | 21187745 | 1 | Sliding sleeve | |
| 15 | 3583720 | 1 | Plate | |
| 16 | 861526 | 1 | Screw | |

D2-55A, D2-55B, D2-55C, D2-55D, D2-55E, D2-55F



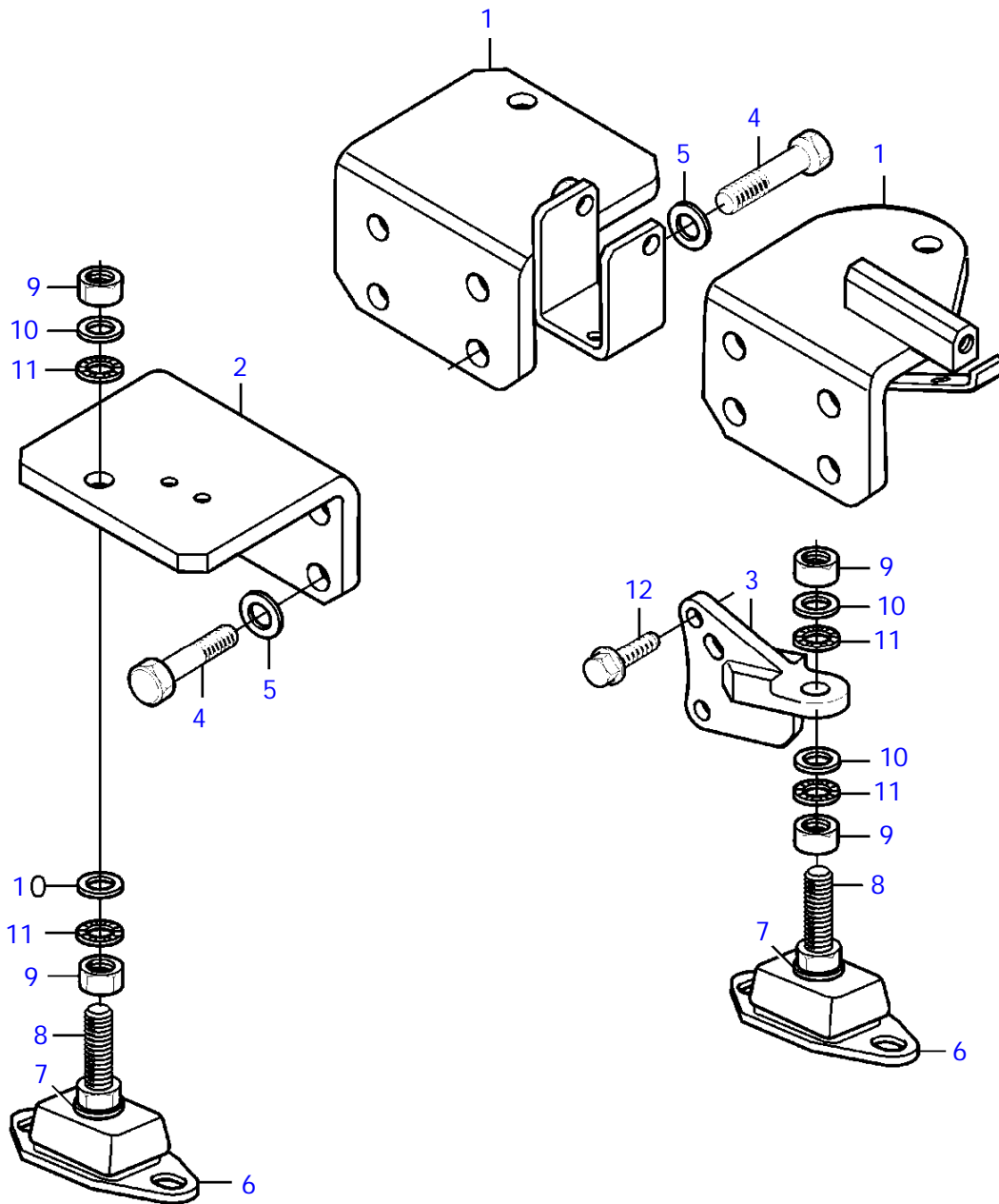
20795



D2-55A, D2-55B, D2-55C, D2-55D, D2-55E, D2-55F

| REF | PART NO. | QTY | DESCRIPTION | NOTES |
|-----|----------|-----|----------------------|--|
| 1 | 3583549 | 1 | Crankshaft | |
| 2 | 3580532 | 1 | * Gear | D2-55A, D2-55B, D2-55C, D2-55D, D2-55E |
| | 21274781 | 1 | * Gear | D2-55F |
| 3 | 861969 | 1 | * Woodruff key | |
| 4 | 861934 | 1 | * Key | |
| 5 | 877387 | 1 | Main bearing kit | D2-55A, D2-55B, D2-55C, D2-55D, D2-55E |
| 6 | 3583674 | 1 | Thrust washer, upper | |
| 7 | 3580543 | 2 | Thrust washer, lower | |
| 8 | | 1 | Main bearing | |
| 9 | | 1 | Main bearing | |
| 10 | | 1 | Main bearing | |
| 11 | | 1 | Main bearing | |
| 12 | | 4 | Pin | |
| 13 | 965221 | 8 | Flange screw | |
| 14 | 965188 | 3 | Flange screw | |
| 15 | 3583673 | 2 | Screw | |
| 16 | 3583683 | 4 | Connecting rod | |
| 17 | 3580553 | 1 | * Bushing | |
| 18 | 3580554 | 2 | * Screw | |
| 19 | 3580555 | 2 | * Nut | |
| 20 | 877388 | 1 | Big-end bearing kit | D2-55A, D2-55B, D2-55C, D2-55D, D2-55E |
| 21 | 21318269 | 4 | Piston kit | D2-55A, D2-55B, D2-55C, D2-55D, D2-55E |
| 22 | 3583693 | 4 | * Piston ring | D2-55A, D2-55B, D2-55C, D2-55D, D2-55E |
| 23 | 3580550 | 4 | Piston pin | |
| 24 | 3580551 | 8 | Lock ring | |
| 25 | 3583685 | 1 | Pulley | For V-belt, D2-55A, D2-55B, D2-55C, D2-55D, D2-55E |
| | 3584084 | 1 | Pulley | For drive belt, D2-55A, D2-55B, D2-55C, D2-55D, D2-55E |
| | 21194509 | 1 | Pulley | For drive belt, D2-55F |
| 26 | 3580563 | 1 | Nut | |

D2-55A, D2-55B, D2-55C, D2-55D, D2-55E, D2-55F

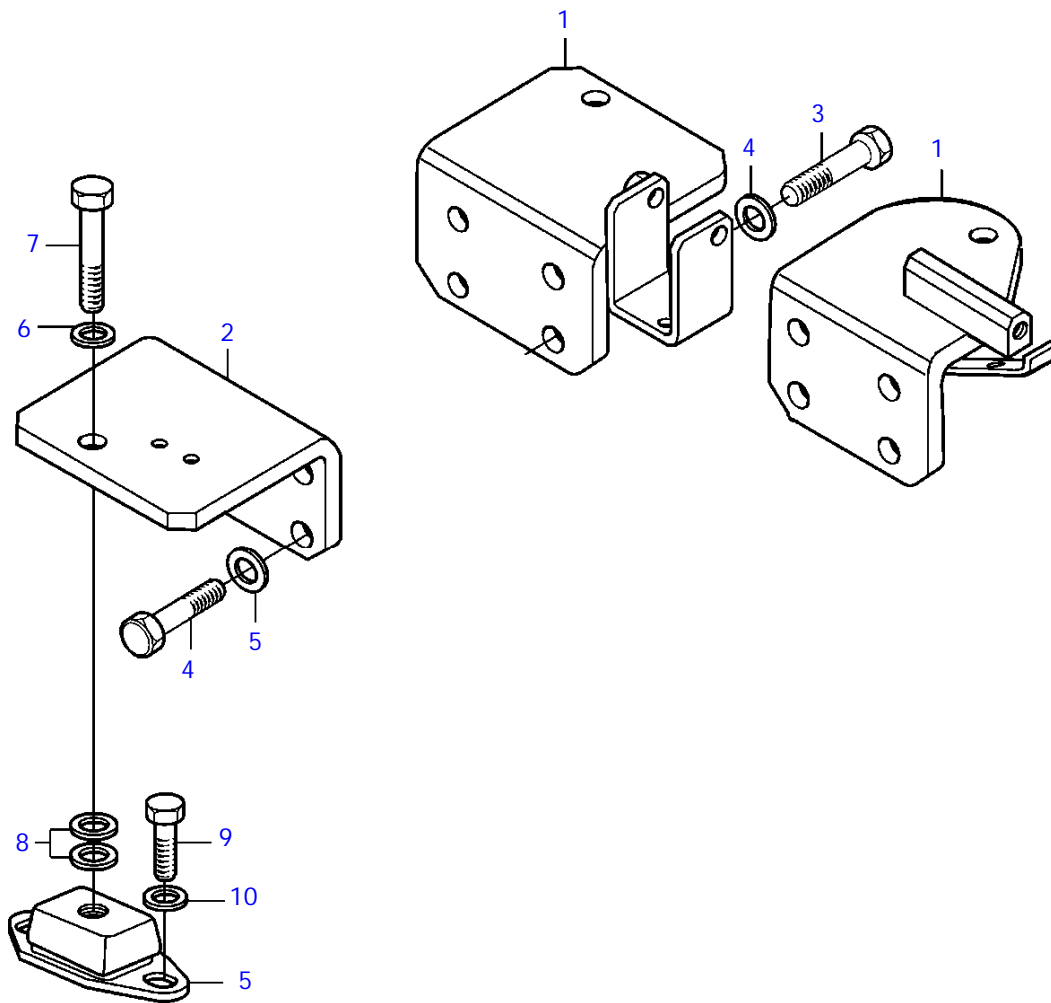


23264

D2-55A, D2-55B, D2-55C, D2-55D, D2-55E, D2-55F

| REF | PART NO. | QTY | DESCRIPTION | NOTES |
|-----|----------|-----|-------------------------|--------------------------------|
| 1 | 3583057 | 1 | Engine mountings, front | D2-55A, D2-55B |
| | 3584087 | 1 | Engine mountings, front | D2-55C, D2-55D, D2-55E, D2-55F |
| 2 | 3583069 | 1 | Engine mountings, front | |
| 3 | 859862 | 2 | Bracket, rear | |
| 4 | 3583794 | 16 | Screw | |
| 5 | 3583795 | 16 | Washer | |
| 6 | 846765 | 4 | Rubber element | |
| 7 | 955900 | 4 | Washer | |
| 8 | 846768 | 4 | Adjusting screw | |
| 9 | 955805 | 8 | Hexagon nut | |
| 10 | 955900 | 8 | Washer | |
| 11 | 941912 | 8 | Spring washer | |
| 12 | 946329 | 6 | Flange screw | |

D2-55A, D2-55B, D2-55C, D2-55D, D2-55E, D2-55F

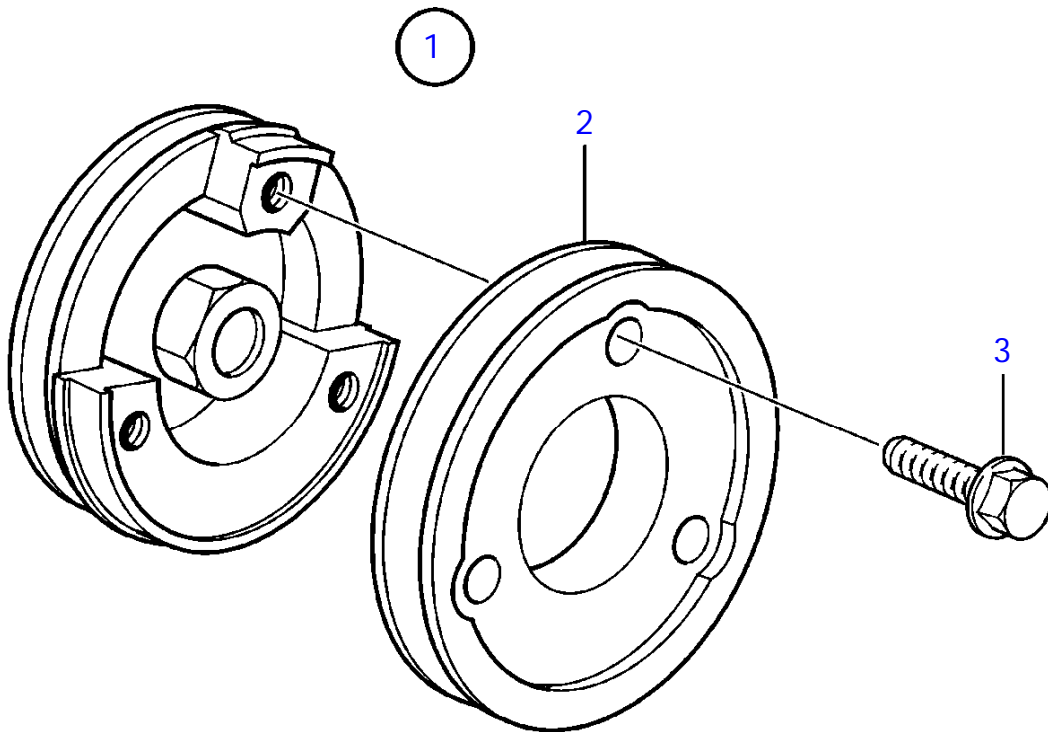


23265

D2-55A, D2-55B, D2-55C, D2-55D, D2-55E, D2-55F

| REF | PART NO. | QTY | DESCRIPTION | NOTES |
|-----|----------|-----|-------------------------|--------------------------------|
| 1 | 3583057 | 1 | Engine mountings, front | D2-55A, D2-55B |
| | 3584087 | 1 | Engine mountings, front | D2-55C, D2-55D, D2-55E, D2-55F |
| 2 | 3583069 | 1 | Engine mountings, front | |
| 3 | 3583794 | 16 | Screw | |
| 4 | 3583795 | 16 | Washer | |
| 5 | 856834 | 2 | Rubber cushion | |
| 6 | 941912 | 2 | Spring washer | |
| 7 | 959710 | 2 | Hexagon screw | |
| 8 | 955900 | 4 | Washer | |
| 9 | 963580 | 4 | Hexagon screw | |
| 10 | 976945 | 4 | Washer | |

D2-55A, D2-55B, D2-55C, D2-55D, D2-55E, D2-55F

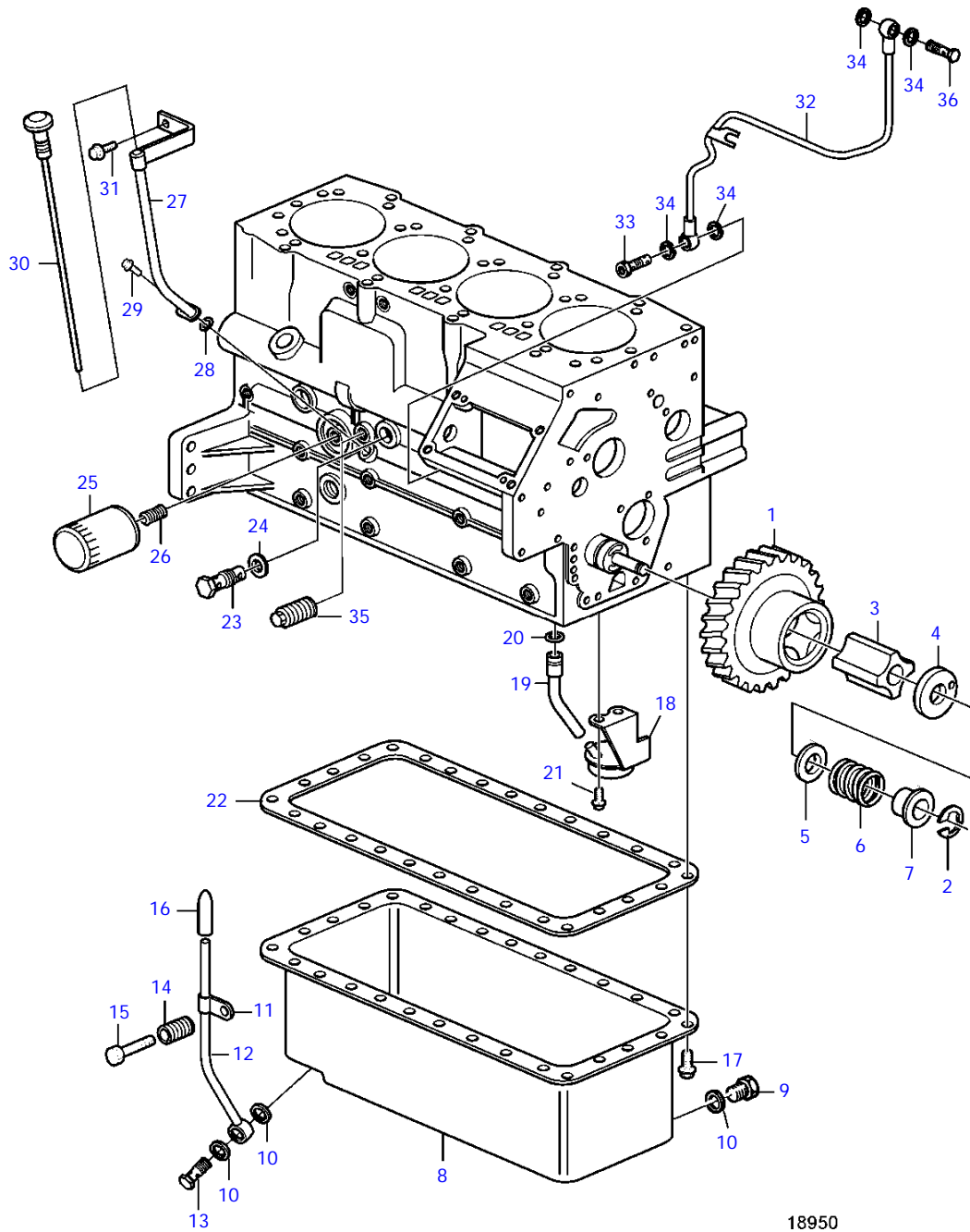


22677

D2-55A, D2-55B, D2-55C, D2-55D, D2-55E, D2-55F

| REF | PART NO. | QTY | DESCRIPTION |
|-----|----------|-----|----------------|
| 1 | 3581053 | 1 | Pulley |
| 2 | 3581036 | 1 | • Pulley |
| 3 | 965191 | 3 | • Flange screw |

D2-55A, D2-55B, D2-55C, D2-55D, D2-55E

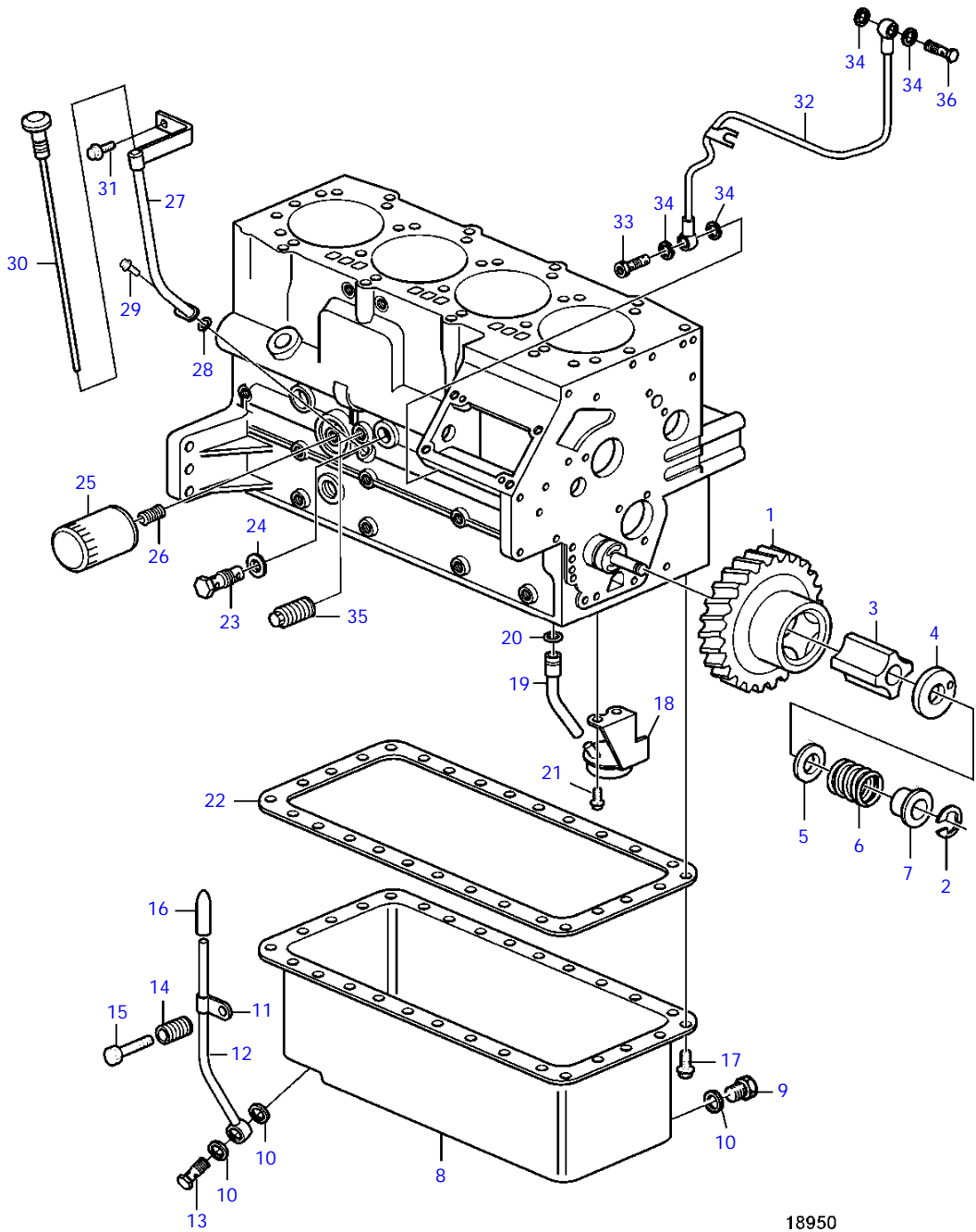


18950

D2-55A, D2-55B, D2-55C, D2-55D, D2-55E

| REF | PART NO. | QTY | DESCRIPTION | SEE SEC. | NOTES |
|-----|----------|-----|-------------------|----------|--|
| 1 | | 1 | Gear | 5484 | |
| 2 | 861534 | 1 | Lock ring | | |
| 3 | 3580570 | 1 | Rotor | | replaced |
| | 21541019 | 1 | Oil pump | | D2-55 E |
| | 21541021 | 1 | Oil pump | | D2-55 A/B/C/D |
| 4 | 861527 | 1 | Cardboard tube | | |
| 5 | 861528 | X | Shim | | TH=0.10mm |
| | 861529 | X | Shim | | TH=0.15mm |
| | 861530 | X | Shim | | TH=0.20mm |
| | 861531 | X | Shim | | TH=0,50mm |
| 6 | 861532 | 1 | Spring | | |
| 7 | 861533 | 1 | Sleeve | | |
| 8 | 3583551 | 1 | Sump | | |
| 9 | 3580091 | 1 | Screw | | |
| 10 | 21424327 | 3 | Sealing ring | | |
| 11 | 941565 | 1 | Clamp | | |
| 12 | 3583067 | 1 | Oil draining pipe | | |
| 13 | 941686 | 1 | Hollow screw | | |
| 14 | 3582401 | 1 | Adaptor | | |
| 15 | 946471 | 1 | Flange screw | | |
| 16 | 1276516 | 1 | Rubber cap | | |
| 17 | 945358 | 30 | Flange screw | | |
| 18 | 3583583 | 1 | Strainer | | |
| 19 | 3583584 | 1 | Suction pipe | | |
| | | 1 | Oil suction pipe | | Included in kit 21141485 for suction pipe with flange |
| 20 | 861997 | 1 | O-ring | | |
| | | 1 | O-ring | | Included in kit 21141485 for suction pipe with flange |
| 21 | 861526 | 2 | Screw | | |
| 22 | 3583552 | 1 | Gasket | | Included also in kit 21141485 for suction pipe with flange |
| 23 | 3583580 | 1 | Reduction valve | | |
| 24 | 3583581 | 1 | O-ring | | |
| 25 | 3840525 | 1 | Oil filter | | |
| 26 | 861825 | 1 | Bolt | | |
| 27 | 3587361 | 1 | Tube | | (3583553) |
| 28 | 861851 | 1 | O-ring | | |
| 29 | 861526 | 1 | Screw | | |
| 30 | 3583554 | 1 | Dipstick | | |
| 31 | 21246643 | 1 | Hexagon screw | | |
| 32 | 3583582 | 1 | Oil pipe | | |
| 33 | 3583575 | 1 | Hollow screw | | |
| 34 | 11992 | 4 | Gasket | | |
| 35 | 3583732 | 1 | Plug | | |
| 36 | 861872 | 1 | Hollow screw | | |

D2-55F

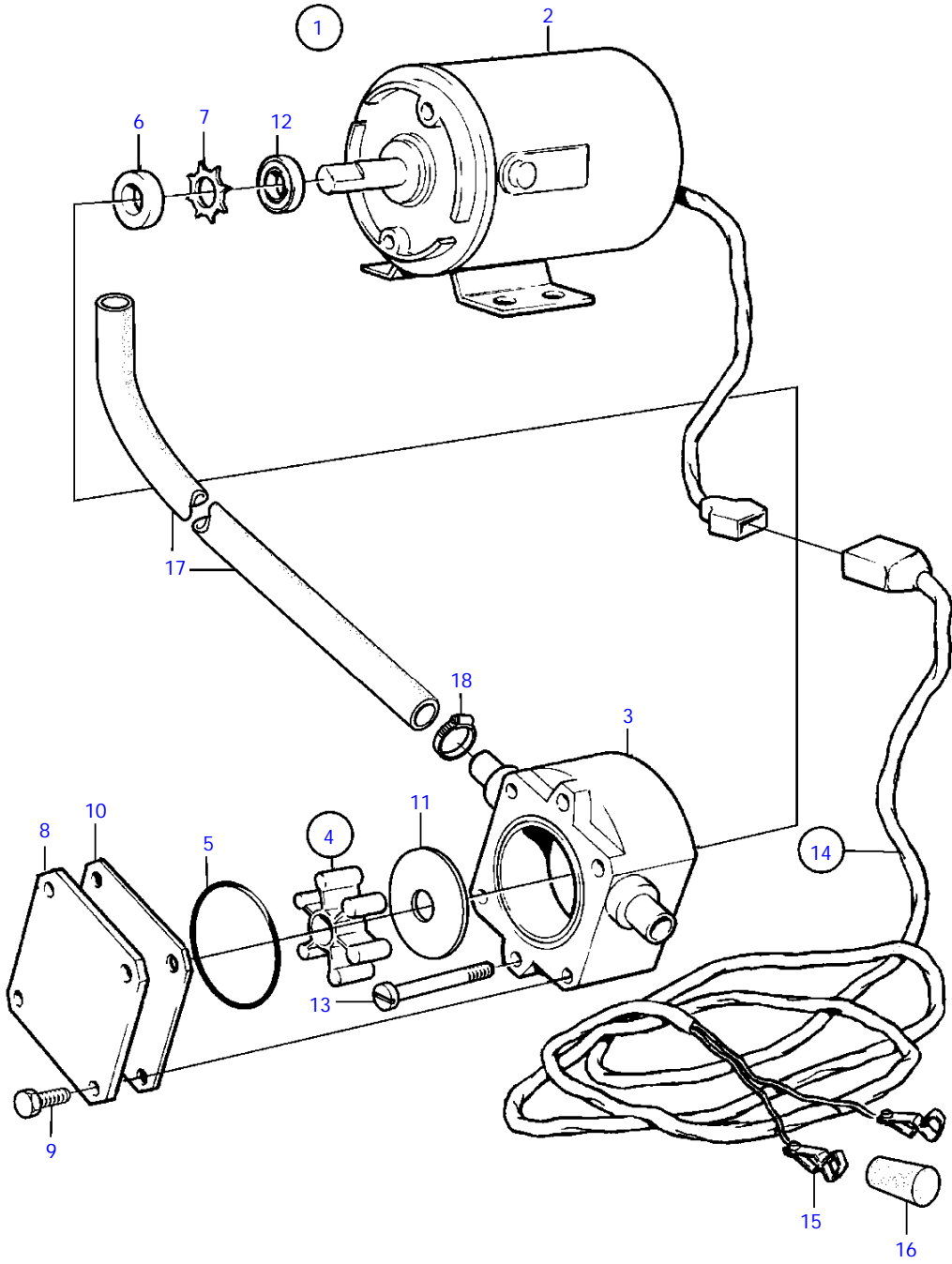


18950

D2-55F

| REF | PART NO. | QTY | DESCRIPTION | SEE SEC. | NOTES |
|-----|----------|-----|-------------------|----------|----------------------|
| 1 | | 1 | Gear | 35121 | |
| 2 | 861534 | 1 | Lock ring | | |
| 3 | 3580570 | 1 | Rotor | | Replaced by 21541019 |
| | 21541019 | 1 | Oil pump | | |
| 4 | 21188141 | 1 | Cover | | |
| 5 | 861528 | X | Shim | | TH=0.10mm |
| | 861529 | X | Shim | | TH=0.15mm |
| | 861530 | X | Shim | | TH=0.20mm |
| | 861531 | X | Shim | | TH=0.50mm |
| 6 | 861532 | 1 | Spring | | |
| 7 | 861533 | 1 | Sleeve | | |
| 8 | 3583551 | 1 | Sump | | |
| 9 | 3580091 | 1 | Screw | | |
| 10 | 3580092 | 3 | Sealing ring | | |
| 11 | 941565 | 1 | Clamp | | |
| 12 | 3583067 | 1 | Oil draining pipe | | |
| 13 | 941686 | 1 | Hollow screw | | |
| 14 | 3582401 | 1 | Adapler | | |
| 15 | 946471 | 1 | Flange screw | | |
| 16 | 1276516 | 1 | Rubber cap | | |
| 17 | 21246391 | 30 | Hexagon screw | | |
| 18 | 21194501 | 1 | Filter | | |
| 19 | 21194503 | 1 | Pipe | | |
| 20 | 861997 | 1 | O-ring | | |
| 21 | 861526 | 2 | Screw | | |
| 22 | 3583552 | 1 | Gasket | | |
| 23 | 3583580 | 1 | Reduction valve | | |
| 24 | 3583581 | 1 | O-ring | | |
| 25 | 3840525 | 1 | Oil filter | | |
| 26 | 861825 | 1 | Bolt | | |
| 27 | 3587361 | 1 | Tube | | |
| 28 | 861851 | 1 | O-ring | | |
| 29 | 21246391 | 1 | Hexagon screw | | |
| 30 | 3583554 | 1 | Dipstick | | |
| 31 | 21246643 | 1 | Hexagon screw | | |
| 32 | 3583582 | 1 | Oil pipe | | |
| 33 | 3583575 | 1 | Hollow screw | | |
| 34 | 11992 | 4 | Gasket | | |
| 35 | 21194526 | 1 | Plug | | |
| 36 | 861872 | 1 | Hollow screw | | |

D2-55A, D2-55B, D2-55C, D2-55D, D2-55E, D2-55F



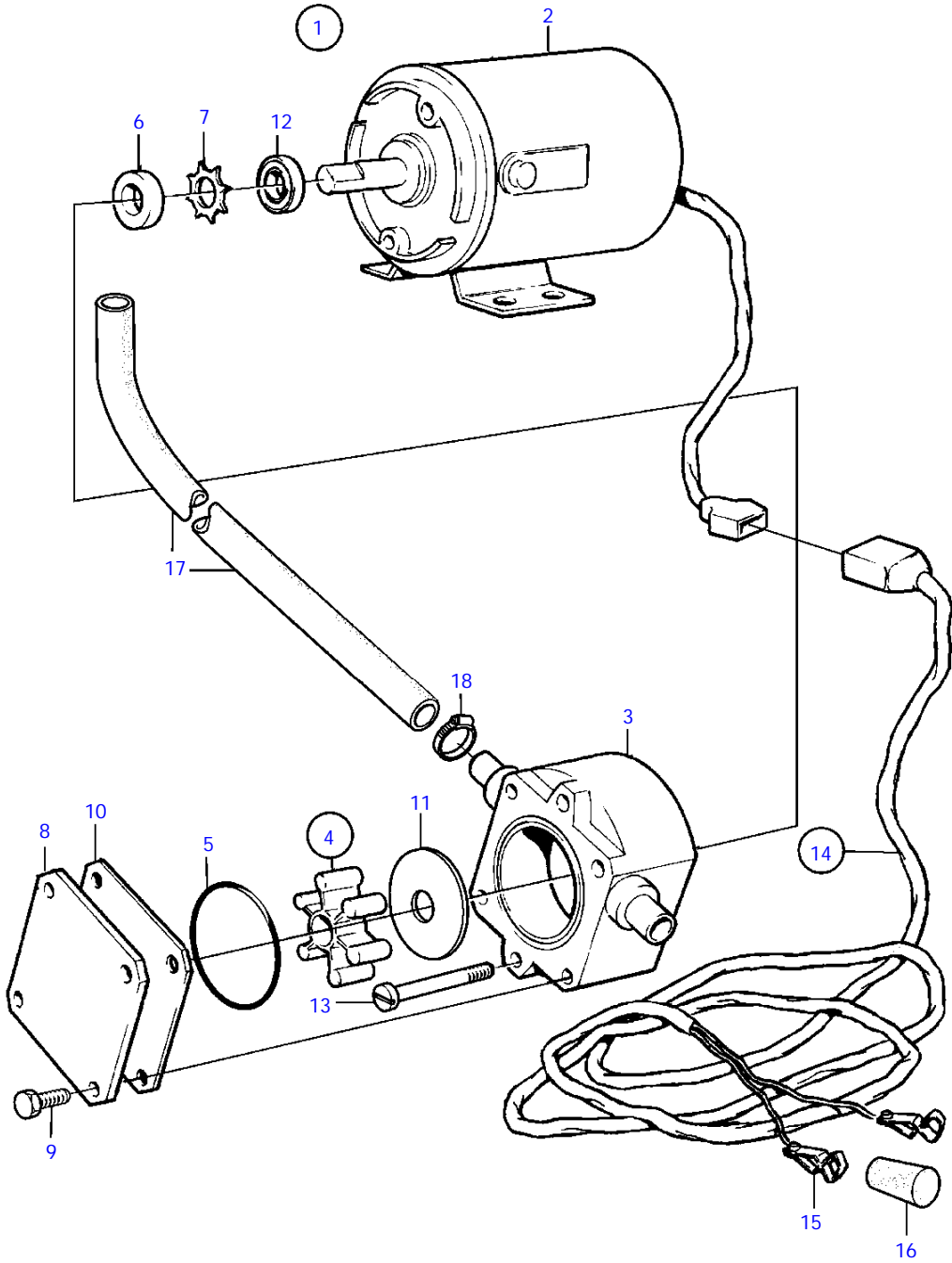
18186



D2-55A, D2-55B, D2-55C, D2-55D, D2-55E, D2-55F

| REF | PART NO. | QTY | DESCRIPTION | NOTES |
|-----|----------|-----|--------------------------|---------------|
| 1 | 843114 | 1 | Oil bilge pump | 12V |
| 2 | 842855 | 1 | * Oil bilge pump | |
| 3 | (844015) | 1 | * * Pump housing | Obsolete part |
| 4 | 844022 | 1 | * * Impeller kit | |
| 5 | | 1 | * * O-ring | |
| 6 | | 1 | * * Sealing ring | |
| 7 | | 1 | * * Lock ring | |
| 8 | 844018 | 1 | * * Cardboard tube | |
| 9 | 844021 | 4 | * * Screw | |
| 10 | 844017 | 1 | * * Wear washer | |
| 11 | 844016 | 1 | * * Wear washer | |
| 12 | 844019 | 1 | * * Deflector ring | |
| 13 | 969518 | 2 | * * 6 point socket screw | (847464) |
| 14 | 843113 | 1 | * Cable trunk | |
| 15 | 844280 | 2 | * * Clip | |
| 16 | | 1 | * * Isolator | Black |
| | | 1 | * * Isolator | Red |
| 17 | 949100 | X | * Hose | |
| 18 | 943471 | 3 | * Hose clamp | |

D2-55A, D2-55B, D2-55C, D2-55D, D2-55E, D2-55F

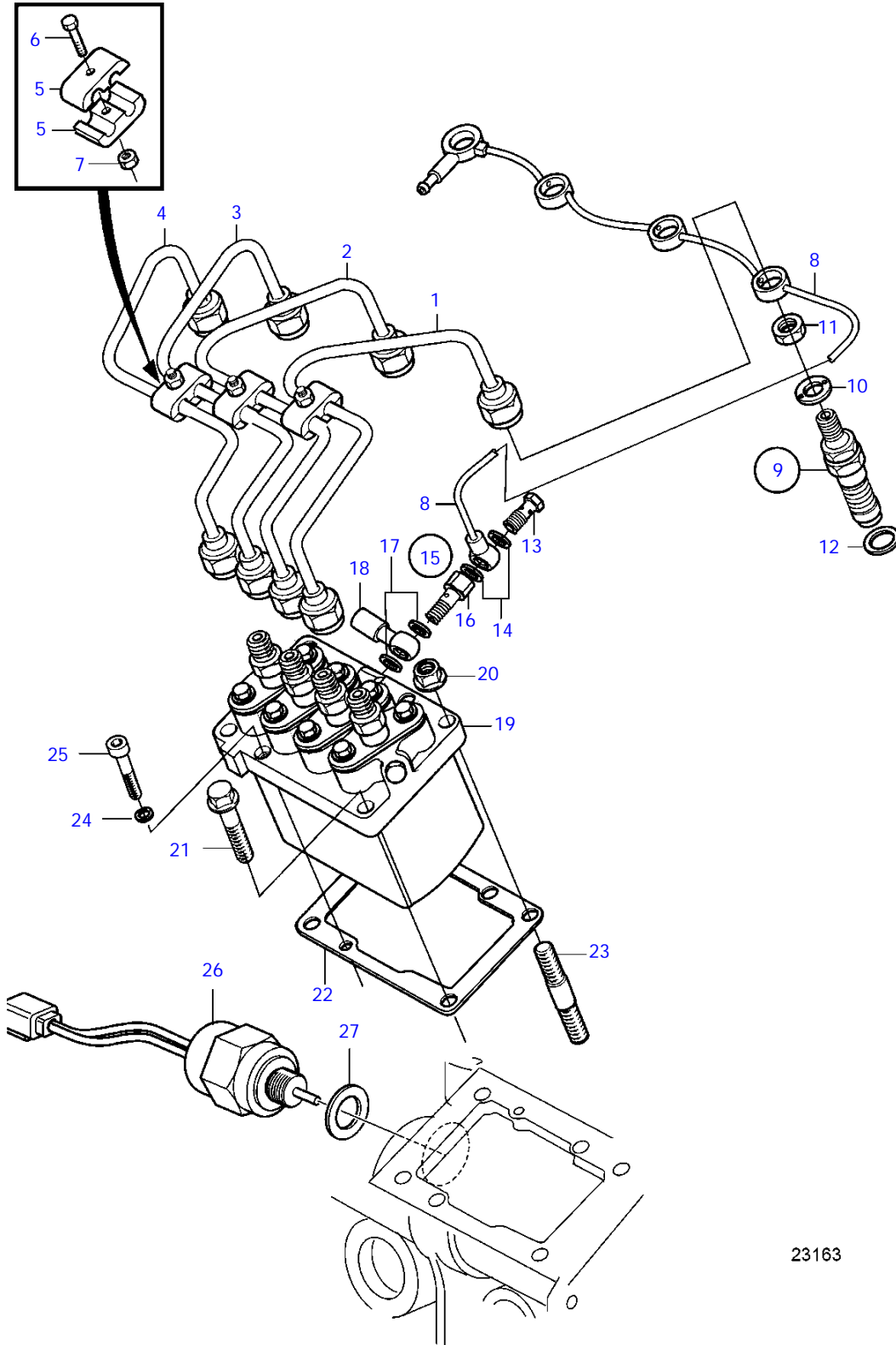


18186

D2-55A, D2-55B, D2-55C, D2-55D, D2-55E, D2-55F

| REF | PART NO. | QTY | DESCRIPTION | NOTES |
|-----|----------|-----|-------------------------|---------------|
| 1 | 843410 | 1 | Oil bilge pump | 24V |
| 2 | 842222 | 1 | * Electrical motor | |
| 3 | (844015) | 1 | ** Pump housing | Obsolete part |
| 4 | 844022 | 1 | ** Impeller kit | |
| 5 | | 1 | *** O-ring | |
| 6 | | 1 | *** Sealing ring | |
| 7 | | 1 | *** Lock ring | |
| 8 | 844018 | 1 | ** Cardboard tube | |
| 9 | 844021 | 4 | ** Screw | |
| 10 | 844017 | 1 | ** Wear washer | |
| 11 | 844016 | 1 | ** Wear washer | |
| 12 | 844019 | 1 | ** Deflector ring | |
| 13 | 969518 | 2 | ** 6 point socket screw | (847464) |
| 14 | 843113 | 1 | * Cable trunk | |
| 15 | 844280 | 2 | ** Clip | |
| 16 | | 1 | ** Isolator | Black |
| | | 1 | ** Isolator | Red |
| 17 | 949100 | X | * Hose | |
| 18 | 943471 | 3 | * Hose clamp | |

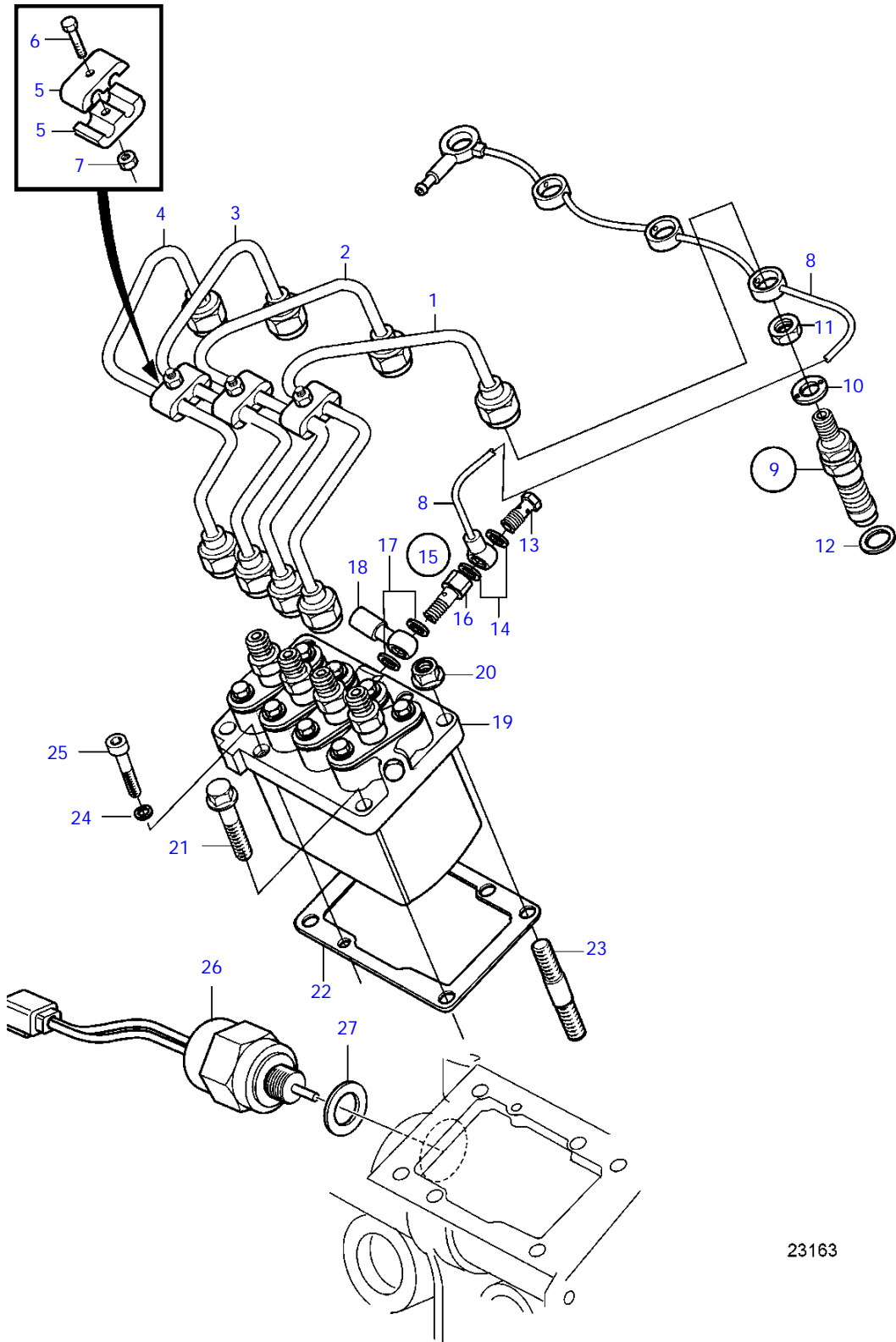
D2-55A, D2-55B, D2-55C, D2-55D, D2-55E



23163

D2-55A, D2-55B, D2-55C, D2-55D, D2-55E

| REF | PART NO. | QTY | DESCRIPTION | SEE SEC. | NOTES |
|-----|----------|-----|-------------------|----------|--------------------------|
| 1 | 3583524 | 1 | Delivery pipe | | |
| 2 | 3583525 | 1 | Delivery pipe | | |
| 3 | 3583526 | 1 | Delivery pipe | | |
| 4 | 3583527 | 1 | Delivery pipe | | |
| 5 | 3580082 | 6 | Clamp | | |
| 6 | 947542 | 3 | Flange screw | | |
| 7 | 945407 | 3 | Flange nut | | |
| 8 | 3583559 | 1 | Leak-off line | | Replaced by 3809334 |
| | 3809334 | 1 | Leak-off pipe | | |
| 9 | 3803442 | 4 | Injector | | |
| | 3580592 | 4 | * Injector | | |
| | | | * | 232 | |
| | 3803442 | 4 | * Injector, exch | | |
| | | | * | 232 | |
| 10 | 3580631 | 1 | * Gasket | | |
| 11 | | 1 | * Nut | | |
| 12 | 3580077 | 4 | Gasket | | |
| 13 | 3580599 | 1 | Screw | | |
| 14 | 21427938 | 2 | Gasket | | |
| 15 | 3583871 | | Injection pump | | |
| | | | * | | |
| | | | * | 8184 | |
| 16 | 3580628 | 1 | * Hollow screw | | |
| 17 | 11994 | 2 | * Gasket | | |
| 18 | 3580627 | 1 | * Banjo nipple | | |
| 19 | | 1 | * Injection pump | | |
| 20 | 948645 | 3 | Flange lock nut | | |
| 21 | 3583769 | 3 | Screw | | |
| 22 | 3583764 | 1 | Shim | | TH=0,2mm |
| | 3583765 | 1 | Shim | | TH=0,3mm |
| | 3583766 | 1 | Shim | | TH=0,4mm |
| | 3583767 | 1 | Shim | | TH=0,5mm |
| | 3583768 | 1 | Shim | | TH=0,5mm, Without flange |
| 23 | 3583705 | 3 | Stud | | |
| 24 | 861847 | 1 | Washer | | |
| 25 | 3809331 | 1 | Hex. socket screw | | |
| 26 | 3584127 | 1 | Stop solenoid | | |
| 27 | 3580092 | 1 | Sealing ring | | |

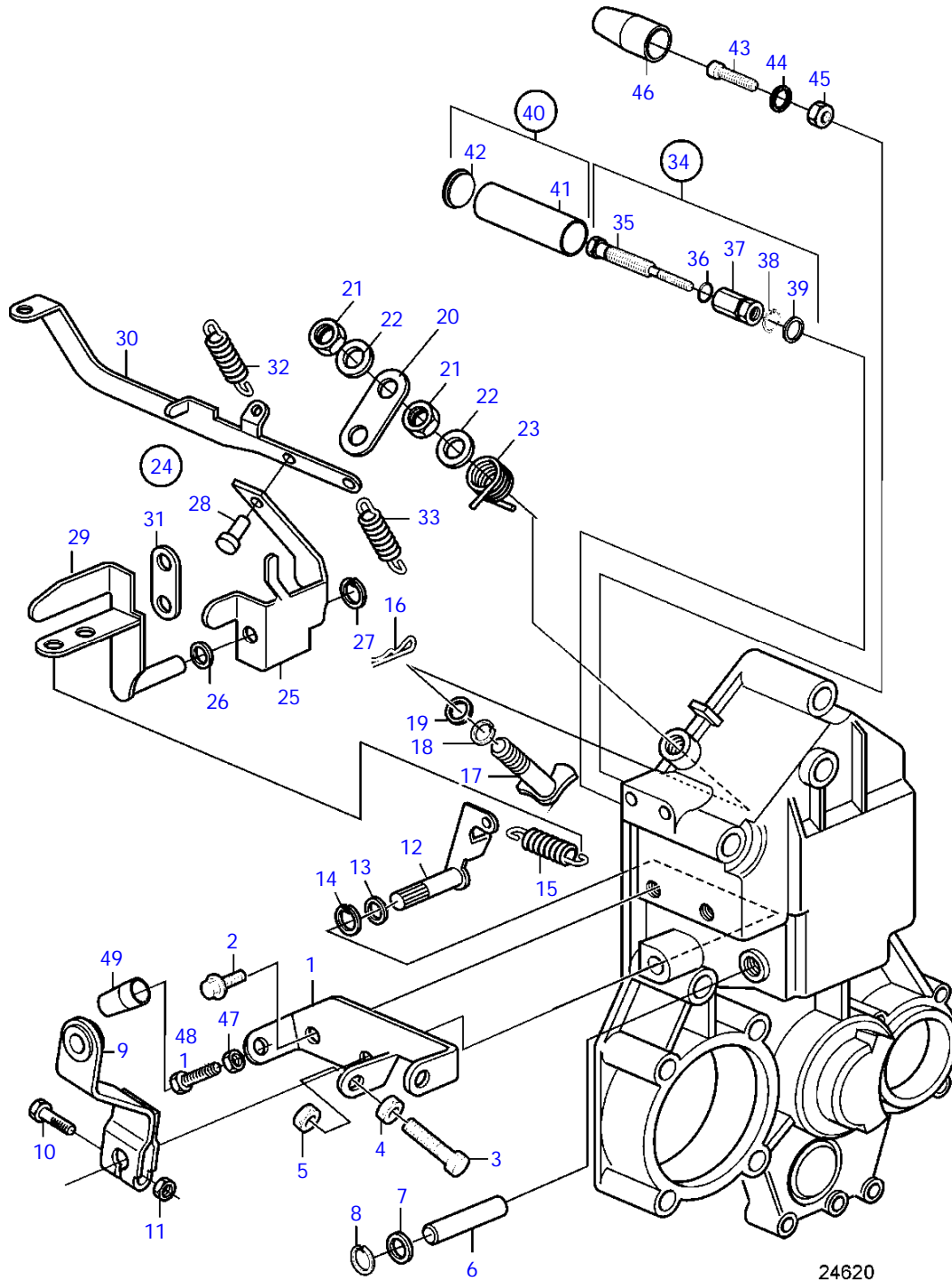


23163

D2-55F

| REF | PART NO. | QTY | DESCRIPTION | SEE SEC. | NOTES |
|-----|----------|-----|------------------------------|----------|--------------------------|
| 1 | 3583524 | 1 | Delivery pipe | | |
| 2 | 3583525 | 1 | Delivery pipe | | |
| 3 | 3583526 | 1 | Delivery pipe | | |
| 4 | 3583527 | 1 | Delivery pipe | | |
| 5 | 3886457 | 6 | Clamp | | |
| 6 | 947542 | 3 | Flange screw | | |
| 7 | 945407 | 3 | Flange nut | | |
| 8 | 21194397 | 1 | Return pipe | | |
| 9 | 3803442 | 4 | Injector | | |
| | 3580592 | 4 | Injector | | |
| | | | * | 232 | |
| | 3803442 | 4 | Injector, exch | | |
| | | | * | 232 | |
| 10 | 3580631 | 1 | * Gasket | | |
| 11 | | 1 | * Nut | | |
| 12 | 3580077 | 4 | Gasket | | |
| 13 | 3580599 | 1 | Screw | | |
| 14 | 21427938 | 2 | Gasket | | |
| 15 | | | Injection pump | | |
| | | | * Injection pump | | |
| | 3801337 | | * Injection pump, exch, exch | | |
| 16 | 3580628 | 1 | * Hollow screw | | |
| 17 | 11994 | 2 | * Gasket | | |
| 18 | 3580627 | 1 | * Banjo nipple | | |
| 19 | | 1 | * Injection pump | | |
| 20 | 948645 | 3 | Flange lock nut | | |
| 21 | 3583769 | 3 | Screw | | |
| 22 | 3583764 | 1 | Shim | | TH=0.2mm |
| | 21194394 | 1 | Shim | | TH=0.25mm |
| | 3583765 | 1 | Shim | | TH=0.3mm |
| | 21194396 | 1 | Shim | | TH=0.35mm |
| | 3583766 | 1 | Shim | | TH=0.4mm |
| | 3583767 | 1 | Shim | | TH=0.5mm |
| | 3583768 | 1 | Shim | | TH=0.5mm, Without flange |
| 23 | 3583705 | 3 | Stud | | |
| 24 | 861847 | 1 | Washer | | |
| 25 | 3809331 | 1 | Hex. socket screw | | |
| 26 | 3584127 | 1 | Stop solenoid | | |
| 27 | 3580092 | 1 | Sealing ring | | |

D2-55A, D2-55B, D2-55C, D2-55D, D2-55E

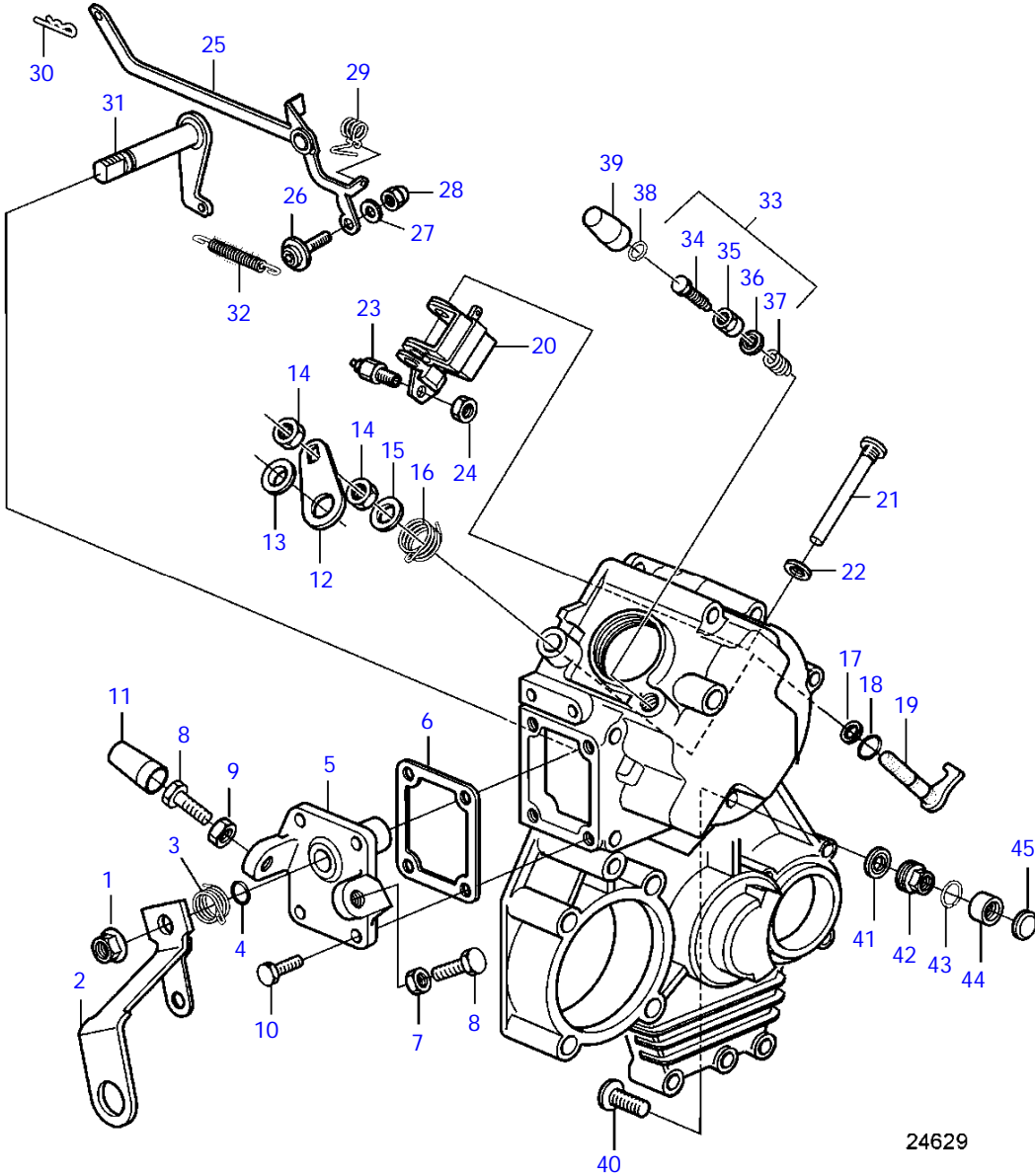


24620

D2-55A, D2-55B, D2-55C, D2-55D, D2-55E

| REF | PART NO. | QTY | DESCRIPTION | NOTES |
|-----|-----------|-----|--------------------|---------------|
| 1 | 3580042 | 1 | Stay | |
| 2 | 3580581 | 2 | Screw | |
| 3 | | 1 | Screw | |
| 4 | 955781 | 1 | Hexagon nut | |
| 5 | | 1 | Nut | |
| 6 | 3583759 | 1 | Shaft | |
| 7 | 3580040 | 2 | O-ring | |
| 8 | 3580041 | 1 | Lock ring | |
| 9 | 3580036 | 1 | Intermediate lever | |
| 10 | 955275 | 1 | Hexagon screw | |
| 11 | 945407 | 1 | Flange nut | |
| 12 | 3580034 | 1 | Arm | |
| 13 | 3580035 | 1 | O-ring | |
| 14 | 3580030 | 1 | Lock ring | |
| 15 | 3819063 | 1 | Spring | (3580376) |
| 16 | 3580032 | 1 | Locking pin | |
| 17 | 3580045 | 1 | Arm | |
| 18 | 3580046 | 1 | Lock ring | |
| 19 | 3580047 | 1 | O-ring | |
| 20 | 3580051 | 1 | Intermediate lever | |
| 21 | 955782 | 2 | Hexagon nut | |
| 22 | 191172 | 2 | Washer | |
| 23 | 3580048 | 1 | Spring | |
| 24 | 3583736 | 1 | Intermediate lever | |
| 25 | | 1 | * Lever | |
| 26 | 3580031 | 1 | * Washer | |
| 27 | 3580030 | 1 | * Lock ring | |
| 28 | (3583760) | 1 | * Pin | Obsolete part |
| 29 | | 1 | * Lever | |
| 30 | | 1 | * Lever | |
| 31 | | 1 | * Washer | |
| 32 | 3580735 | 1 | Spring | |
| 33 | 3580058 | 1 | Spring | |
| 34 | 3583770 | 1 | Screw | |
| 35 | | 1 | * Screw | |
| 36 | 3583772 | 1 | * O-ring | |
| 37 | | 1 | * Nut | |
| 38 | | 1 | * Lock ring | |
| 39 | 3580087 | 1 | * Sealing ring | |
| 40 | 3584083 | 1 | Sleeve | |
| 41 | | 1 | * Sleeve | |
| 42 | | 1 | * Cap | |
| 43 | 3583778 | 1 | Screw | |
| 44 | 3580087 | 1 | Sealing ring | |
| 45 | 3583779 | 1 | Nut | |
| 46 | 3583777 | 1 | Cardboard tube | |
| 47 | 3583761 | | Cardboard tube | |
| 48 | 3583762 | | Screw | |
| 49 | 3583763 | | Nut | |

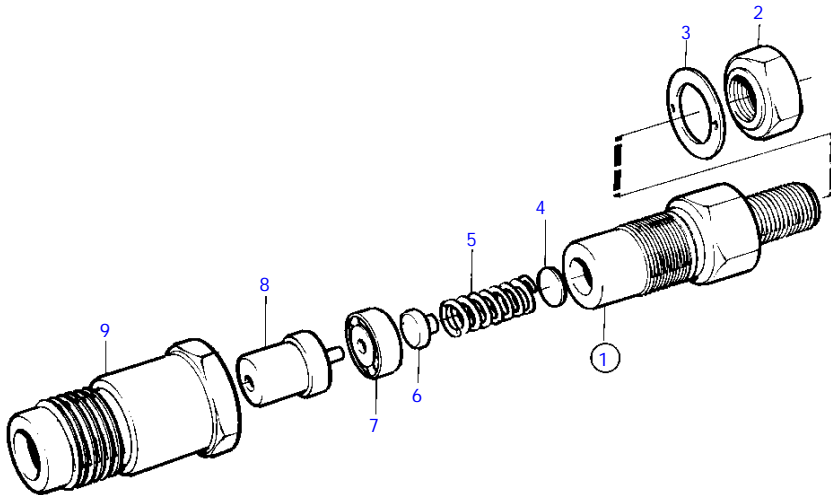
D2-55F



D2-55F

| REF | PART NO. | QTY | DESCRIPTION | NOTES |
|-----|------------|-----|--------------------|----------------------|
| 1 | 21246409 | 1 | Flange nut | |
| 2 | 21187771 | 1 | Intermediate lever | |
| 3 | 21189685 | 1 | Return spring | |
| 4 | 3580035 | 1 | O-ring | |
| 5 | 21187772 | 1 | Bracket | |
| 6 | 21189675 | 1 | Gasket | |
| 7 | 955781 | 1 | Hexagon nut | |
| 8 | 3583762 | 2 | Screw | |
| 9 | 3583763 | 1 | Nut | |
| 10 | 21246651 | 4 | Hexagon screw | |
| 11 | 3583761 | 1 | Cardboard tube | |
| 12 | 21192501 | 1 | Intermediate lever | |
| 13 | 843109 | 1 | Bushing | |
| 14 | 955782 | 2 | Hexagon nut | |
| 15 | 21246676 | 1 | Washer | |
| 16 | 3580048 | 1 | Spring | |
| 17 | 3580047 | 1 | O-ring | |
| 18 | 3580046 | 1 | Lock ring | |
| 19 | 3580045 | 1 | Arm | |
| 20 | 21187328 | 1 | Governor | |
| 21 | 21187733 | 1 | Shaft | |
| 22 | 3580598 | 1 | Sealing washer | |
| 23 | | | | |
| 25 | 21193787 | 1 | Intermediate lever | |
| 26 | 21187723 | 1 | Shaft | |
| 27 | 11991 | 1 | Gasket | |
| 28 | 21246490 | 1 | Cap nut | |
| 29 | 21189686 | 1 | Spring | |
| 30 | 3580032 | 1 | Locking pin | |
| 31 | 21187738 | 1 | Arm | |
| 32 | 21193276 | 1 | Main spring | |
| 33 | 21189171 | 1 | Adjusting screw | D2-55 |
| | 21191838 | 1 | Adjusting screw | D2-75 |
| 34 | | 1 | * Settling bolt | |
| 35 | 3583779 | 1 | * Nut | |
| 36 | 3580087 | 1 | * Sealing ring | |
| 37 | | 1 | * Spring | D2-55 |
| | (21191839) | 1 | * Spring | Obsolete part, D2-75 |
| 38 | 21246336 | 1 | Lock ring | |
| 39 | 3840969 | 1 | Cardboard tube | |
| 40 | 21192093 | 1 | Adjusting screw | |
| 41 | 11991 | 1 | Gasket | |
| 42 | 21246369 | 1 | Nut | |
| 43 | | | | |
| 44 | 21275201 | 1 | Body | |
| 45 | | | Lock | |

D2-55A, D2-55B, D2-55C, D2-55D, D2-55E, D2-55F

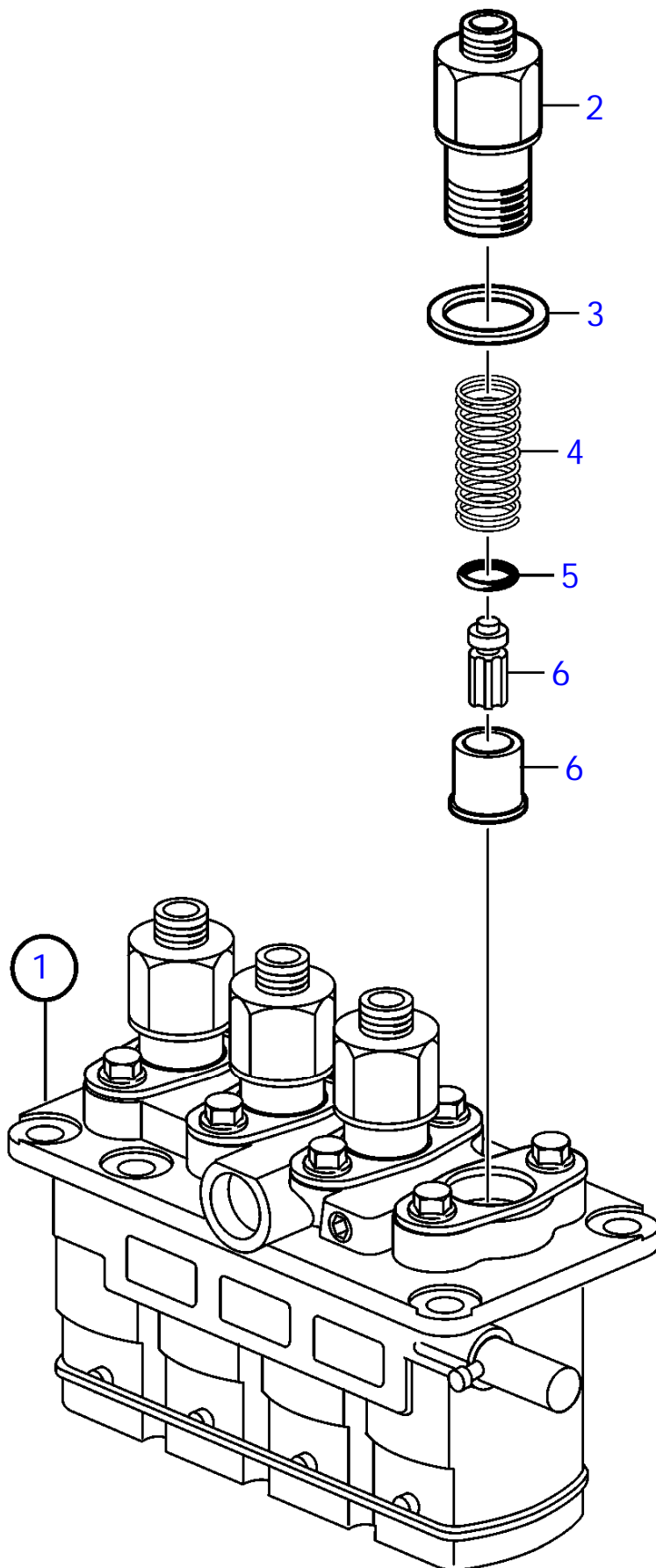


15079

D2-55A, D2-55B, D2-55C, D2-55D, D2-55E, D2-55F

| REF | PART NO. | QTY | DESCRIPTION |
|-----|----------|-----|-----------------|
| 1 | 3580592 | 1 | Injector |
| | 3803442 | 1 | Injector, exch |
| 2 | 3580630 | 1 | * Nut |
| 3 | 3580631 | 1 | * Gasket |
| 4 | 3580632 | 3 | * Washer kit |
| 5 | 3580633 | 1 | * Spring |
| 6 | 3580634 | 1 | * Pressure bolt |
| 7 | 3580635 | 1 | * Spacer |
| 8 | 3580636 | 1 | * Nozzle |
| 9 | | 1 | * Nut |

D2-55A, D2-55B, D2-55C, D2-55D, D2-55E



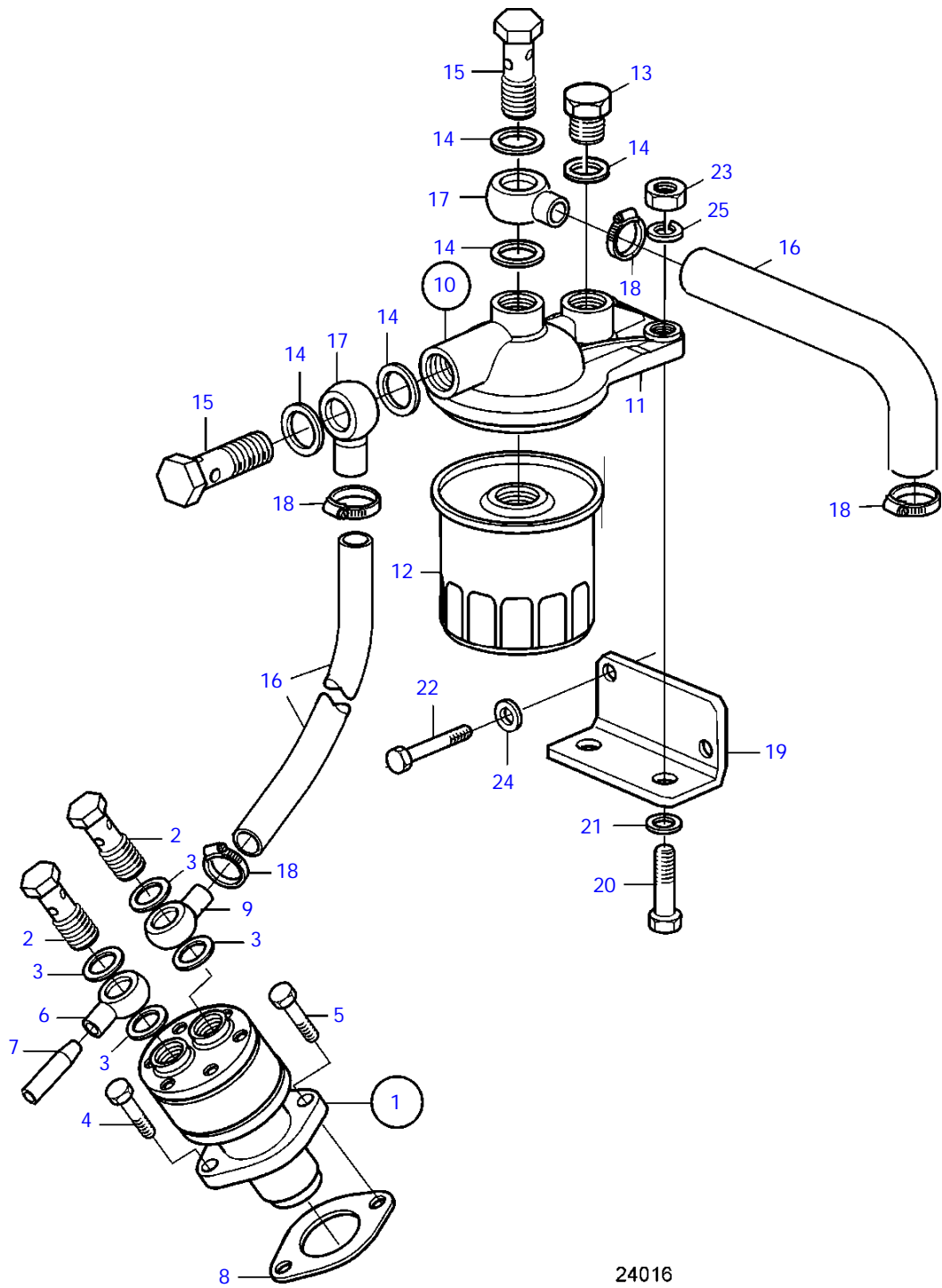
23164

D2-55A, D2-55B, D2-55C, D2-55D, D2-55E

| REF | PART NO. | QTY | DESCRIPTION | NOTES |
|-----|----------|-----|----------------|-----------|
| 1 | 3583871 | 1 | Injection pump | (3583557) |
| 2 | 3809332 | 4 | * Retainer | |
| 3 | 3580614 | 4 | * O-ring | |
| 4 | 3580610 | 4 | * Spring | |
| 5 | 3580611 | 4 | * Gasket | |
| 6 | 3809333 | 4 | * Valve | |



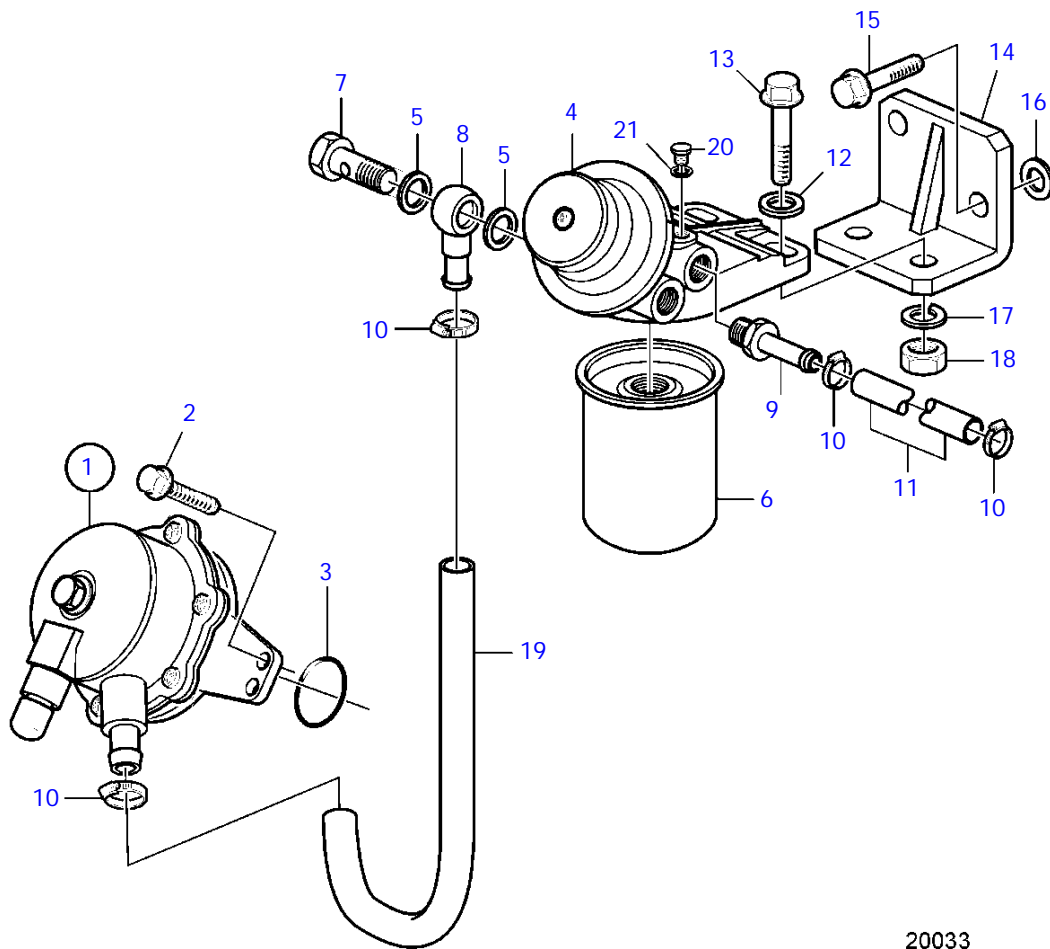
D2-55A



D2-55A

| REF | PART NO. | QTY | DESCRIPTION | SEE SEC. | NOTES |
|-----|----------|-----|------------------|----------|----------|
| 1 | 3580100 | 1 | Feed pump | | |
| | | | * | | |
| | | | * | 5490 | |
| 2 | 3580204 | 2 | Hollow screw | | |
| 3 | 11992 | 4 | Gasket | | |
| 4 | 3583785 | 1 | Screw | | L=14mm |
| 5 | 3580269 | 1 | Screw | | L=16mm |
| 6 | 3580107 | 1 | Banjo nipple | | |
| 7 | 3582507 | 1 | Strainer | | |
| 8 | 3580111 | 1 | Gasket | | |
| 9 | 3583784 | 1 | Connector | | |
| 10 | 3580095 | 1 | Fuel filter | | |
| 11 | | 1 | * Filter housing | | |
| 12 | 861477 | 1 | * Fuel filter | | |
| 13 | 837322 | 1 | * Nipple | | |
| 14 | 969011 | 5 | * Gasket | | |
| 15 | 3580098 | 2 | Hollow screw | | |
| 16 | 3583782 | 2 | Hose | | |
| 17 | 3580101 | 2 | Banjo nipple | | |
| 18 | 961664 | 4 | Hose clamp | | |
| 19 | 3583558 | 1 | Bracket | | |
| 20 | 946173 | 2 | Flange screw | | (861849) |
| 21 | 3580031 | 2 | Washer | | |
| 22 | 3583783 | 2 | Screw | | |
| 23 | 971071 | 2 | Hexagon nut | | |
| 24 | 955894 | 2 | Washer | | |
| 25 | 3580015 | 2 | Spring washer | | |

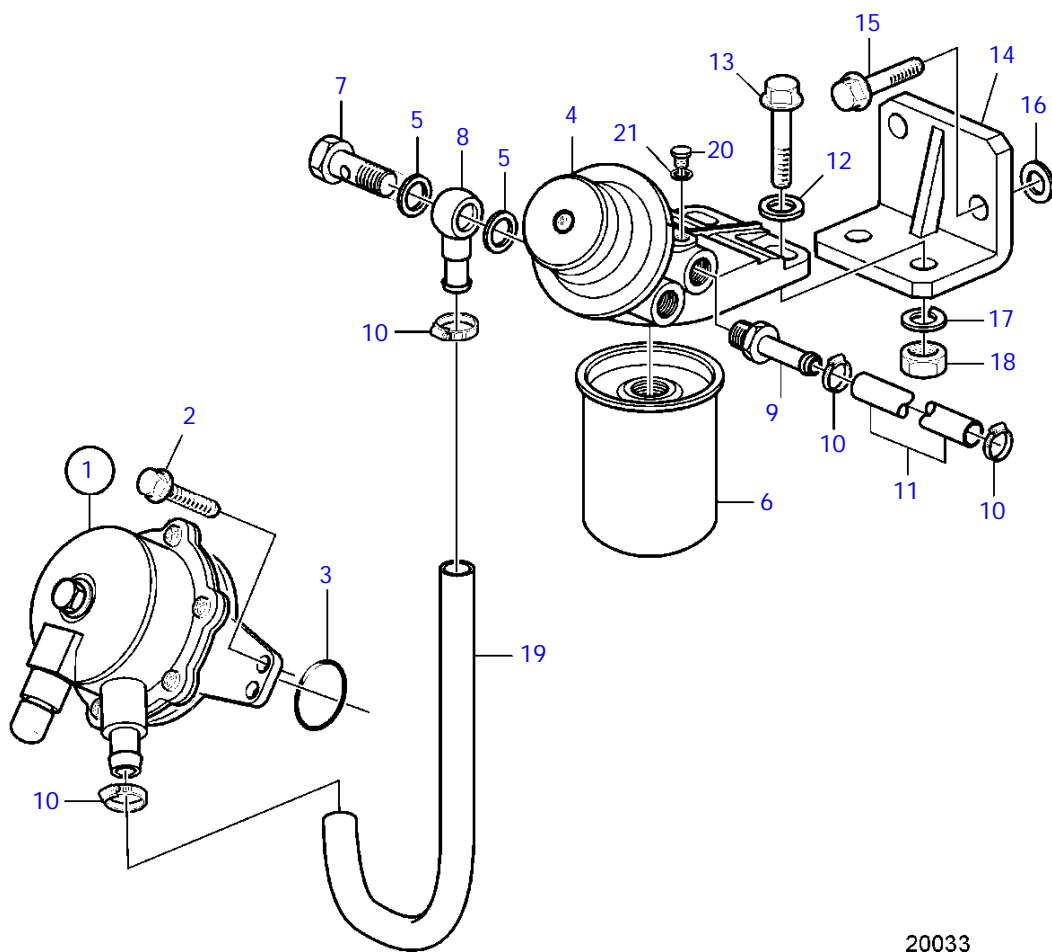
D2-55A, D2-55B, D2-55C, D2-55D, D2-55E



20033

D2-55A, D2-55B, D2-55C, D2-55D, D2-55E

| REF | PART NO. | QTY | DESCRIPTION | NOTES |
|-----|----------|-----|---------------|------------------------------|
| 1 | 3584126 | 1 | Feed pump | |
| 2 | 967949 | 1 | Flange screw | |
| 3 | 3589332 | 1 | O-ring | |
| 4 | 3584125 | 1 | Fuel filter | |
| 5 | 969011 | 5 | Gasket | |
| 6 | 861477 | 1 | Fuel filter | |
| 7 | 3580098 | 1 | Hollow screw | |
| 8 | 3580101 | 1 | Banjo nipple | |
| 9 | 3809680 | 1 | Nipple | |
| 10 | 961664 | 4 | Hose clamp | |
| 11 | 3809681 | 1 | Hose | |
| 12 | 969011 | 2 | Gasket | |
| 13 | 3809679 | 2 | Screw | |
| 14 | 3584424 | 1 | Bracket | Replaced by 21326567 |
| | 21326567 | 1 | Bracket | To be attached with 3 screws |
| 15 | 3809679 | 2 | Screw | |
| 16 | 3580031 | 2 | Washer | |
| 17 | 3580015 | 2 | Spring washer | |
| 18 | 971071 | 2 | Hexagon nut | |
| 19 | 3809681 | 1 | Hose | |
| 20 | 3589276 | 1 | Air nipple | |
| 21 | 11991 | 1 | Gasket | |

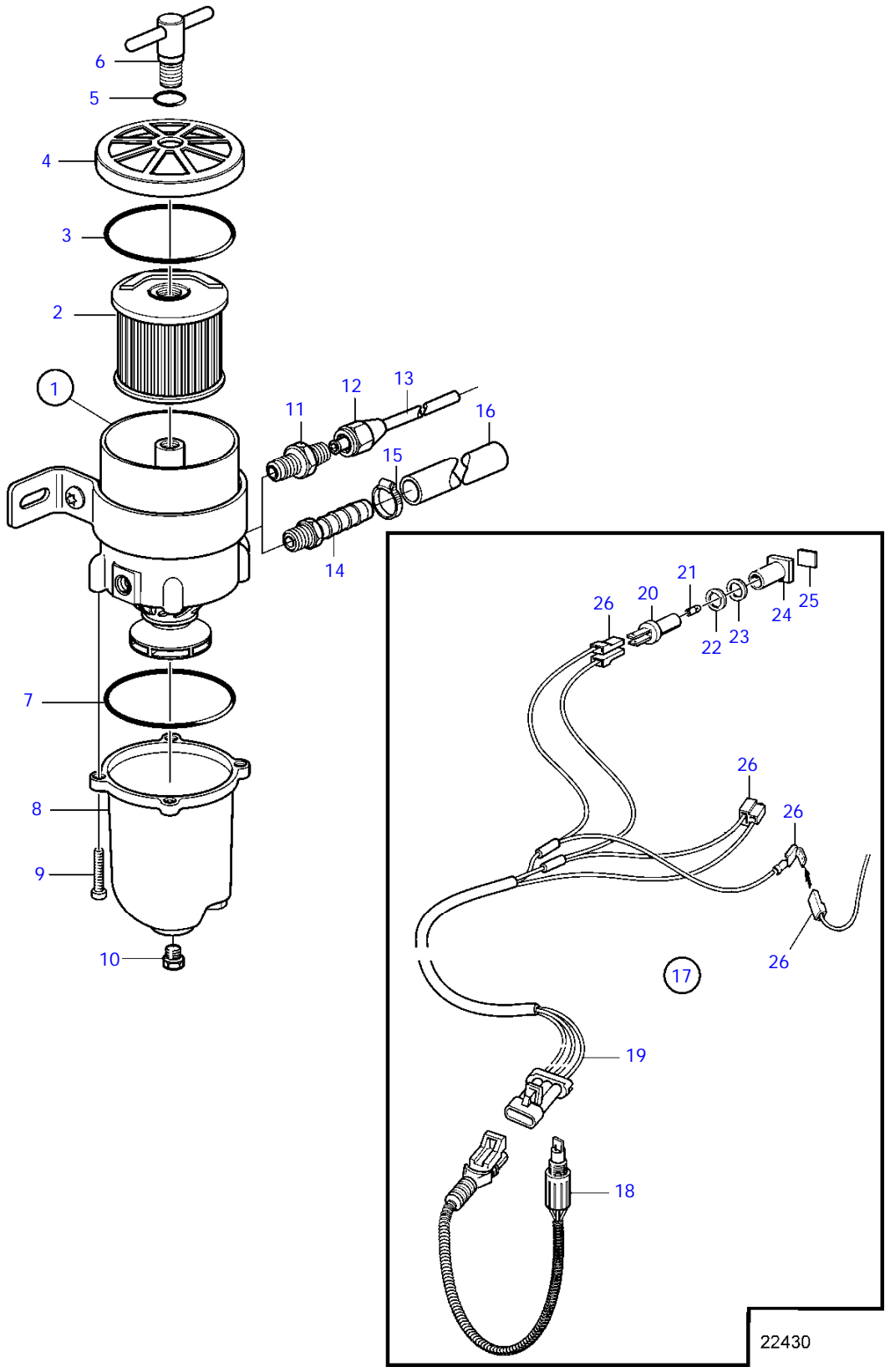


20033

D2-55F

| REF | PART NO. | QTY | DESCRIPTION | NOTES |
|-----|----------|-----|---------------|------------------------------|
| 1 | 21132189 | 1 | Feed pump | |
| 2 | 945358 | 1 | Flange screw | |
| 3 | 3589332 | 1 | O-ring | |
| 4 | 3584125 | 1 | Fuel filter | |
| 5 | 969011 | 3 | Gasket | |
| 6 | 861477 | 1 | Fuel filter | |
| 7 | 3886416 | 1 | Banjo nipple | |
| 8 | 3580101 | 1 | Banjo nipple | |
| 9 | 3809680 | 1 | Nipple | |
| 10 | 961664 | 4 | Hose clamp | |
| 11 | 3809681 | 1 | Hose | |
| 12 | 3580031 | 2 | Washer | |
| 13 | 3583783 | 2 | Screw | |
| 14 | 3584424 | 1 | Bracket | Replaced by 21326567 |
| | 21326567 | 1 | Bracket | To be attached with 3 screws |
| 15 | 21246643 | 2 | Hexagon screw | |
| 16 | 191169 | 2 | Washer | |
| 17 | 3580015 | 2 | Spring washer | |
| 18 | 971071 | 2 | Hexagon nut | |
| 19 | 3809681 | 1 | Hose | |
| 20 | 3589276 | 1 | Air nipple | |
| 21 | 11991 | 1 | Gasket | |

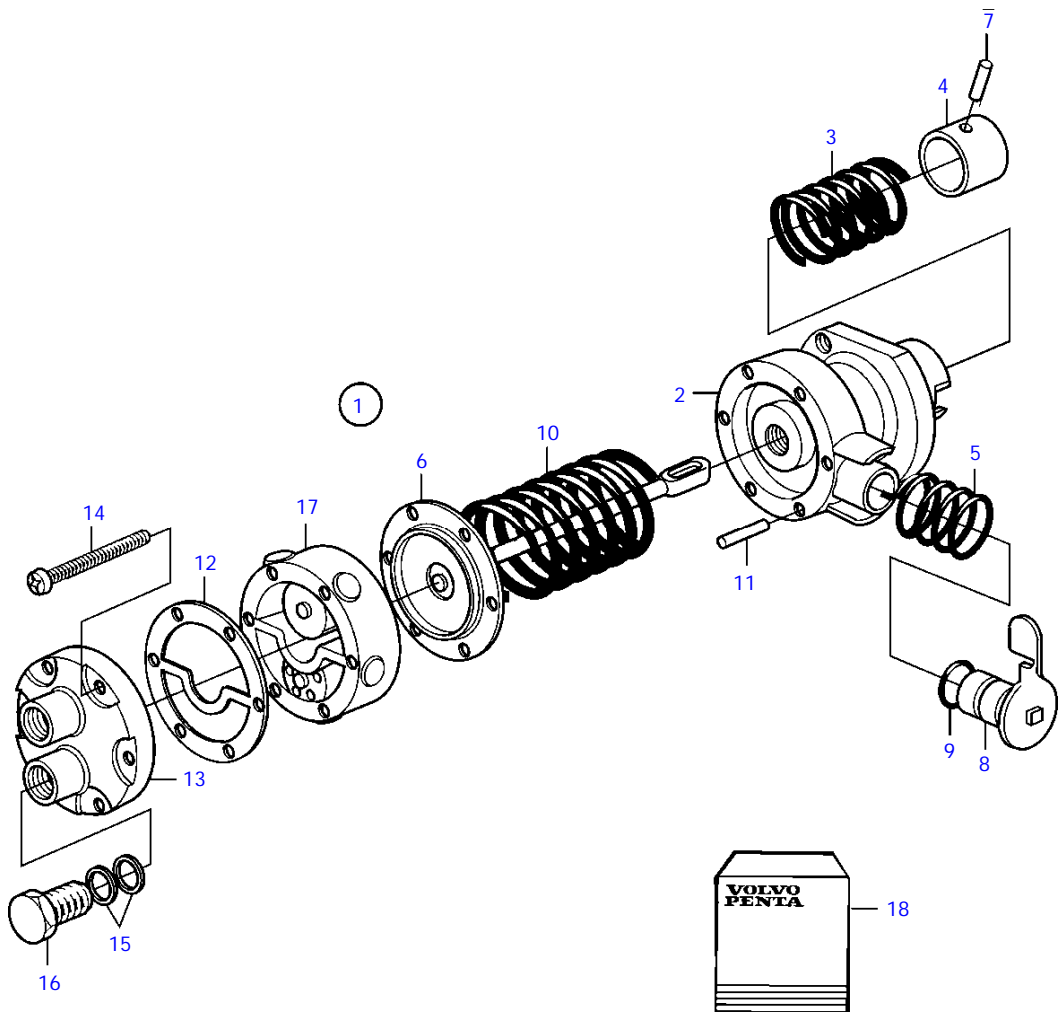
D2-55A, D2-55B, D2-55C, D2-55D, D2-55E, D2-55F



D2-55A, D2-55B, D2-55C, D2-55D, D2-55E, D2-55F

| REF | PART NO. | QTY | DESCRIPTION | SEE SEC. | NOTES |
|-----|----------|-----|------------------------|-------------|----------------------|
| 1 | 877763 | 1 | Fuel filter | | |
| 2 | 1147147 | 1 | * Fuel filter insert | | 2 mikron |
| | 861014 | 1 | * Insert | | 10 mikron |
| | 3581760 | 1 | * Insert | | 30 mikron |
| 3 | 838504 | 1 | * Gasket | | |
| 4 | | 1 | * Lock | | |
| 5 | 838505 | 1 | * O-ring | | |
| 6 | | 1 | * Handle | | |
| 7 | 3838861 | 1 | * Gasket | | |
| 8 | 3838849 | 1 | * Bowl | | |
| 9 | 950024 | 4 | * Cross recessed screw | | |
| 10 | 952075 | 1 | * Plug | | |
| 11 | 954337 | 2 | Nipple | | |
| 12 | 954323 | 2 | Fitting nut | | |
| 13 | 1140062 | 2 | Copper tube | | |
| 14 | 3825000 | 2 | Hose nipple | | |
| 15 | 961664 | 2 | Hose clamp | | |
| 16 | 861057 | X | Fuel hose | | 3/8" |
| | | | * Bulletin P-23-4-4 | P-23-4-4-EN | Fuel Hose P/N 861057 |
| 17 | 1140724 | 1 | Level guard | | |
| 18 | 3588916 | 1 | * Alarm kit | | |
| 19 | 881774 | 1 | * Wiring harness | | |
| 20 | 808175 | 1 | * Lamp socket | | |
| 21 | 19923 | 1 | * Bulb | | 12V, 2W |
| | 182059 | 1 | * Bulb | | 24V, 3W |
| 22 | 967583 | 1 | * Retainer | | |
| 23 | 829714 | 1 | * Sealing ring | | |
| 24 | 838455 | 1 | * Retainer | | |
| 25 | 872591 | 1 | * Symbol strip | | |
| 26 | | X | * cables and terminals | 1963 | |

D2-55A



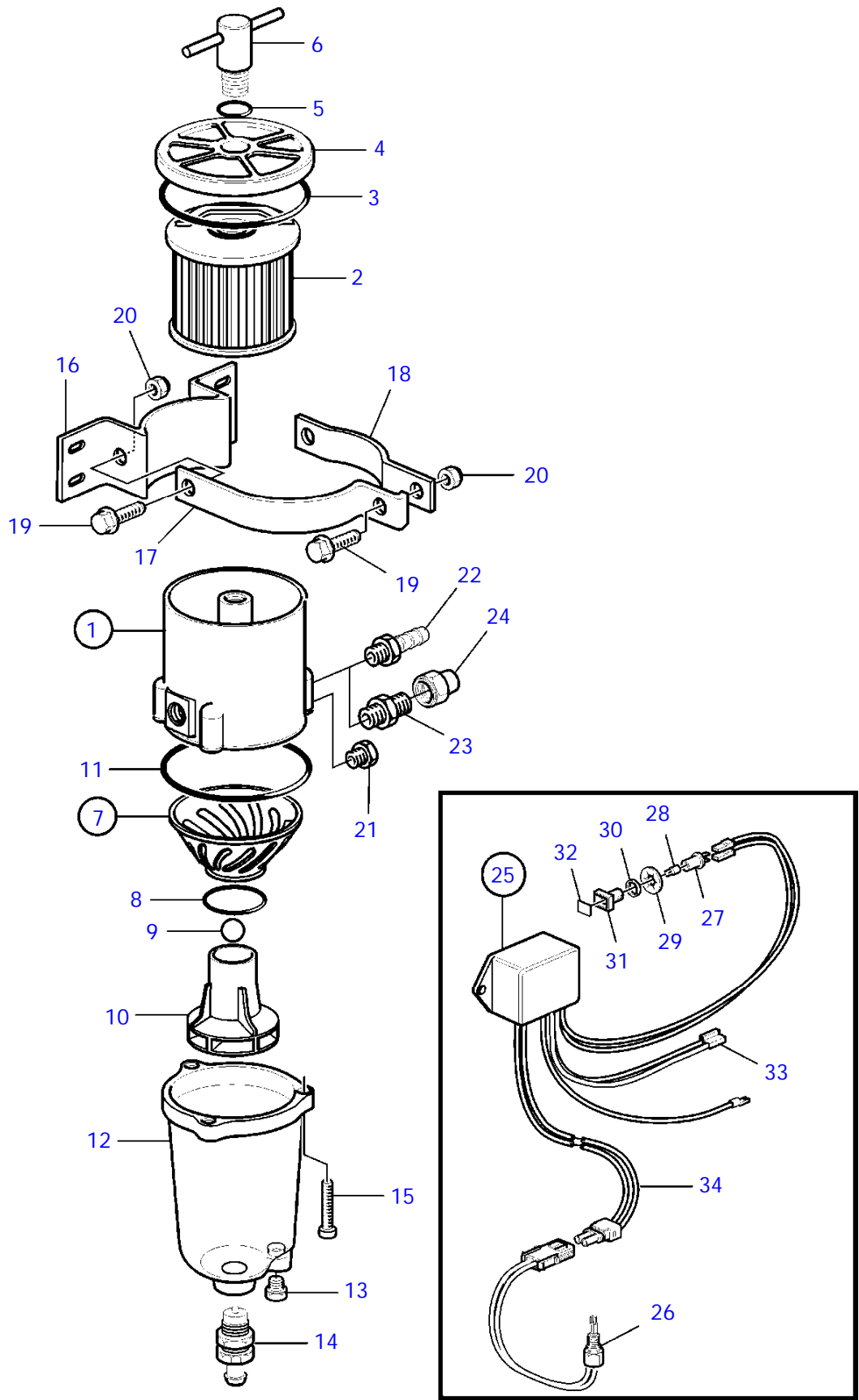
18952



D2-55A

| REF | PART NO. | QTY | DESCRIPTION | NOTES |
|-----|-----------|-----|----------------|---------------------------|
| 1 | 3580100 | 1 | Feed pump | |
| 2 | | 1 | * Housing | |
| 3 | | 1 | * Spring | Included in overhaul kit. |
| 4 | (3580192) | 1 | * Tappet | Obsolete part |
| 5 | | 1 | * Spring | Included in overhaul kit. |
| 6 | | 1 | * Diaphragm | Included in overhaul kit. |
| 7 | | 1 | * Pin | Included in overhaul kit. |
| 8 | | 1 | * Lever | Included in overhaul kit. |
| 9 | 3580197 | 1 | * O-ring | Included in overhaul kit. |
| 10 | | 1 | * Spring | Included in overhaul kit. |
| 11 | | 1 | * Pin | Included in overhaul kit. |
| 12 | 3580200 | 1 | * Gasket | Included in overhaul kit. |
| 13 | | 1 | * Cover | |
| 14 | (3580202) | 6 | * Screw | Obsolete part |
| 15 | 11992 | 4 | * Gasket | |
| 16 | 3580204 | 2 | * Hollow screw | |
| 17 | | 1 | * Housing | |
| 18 | (876688) | 1 | Repair kit | Obsolete part |

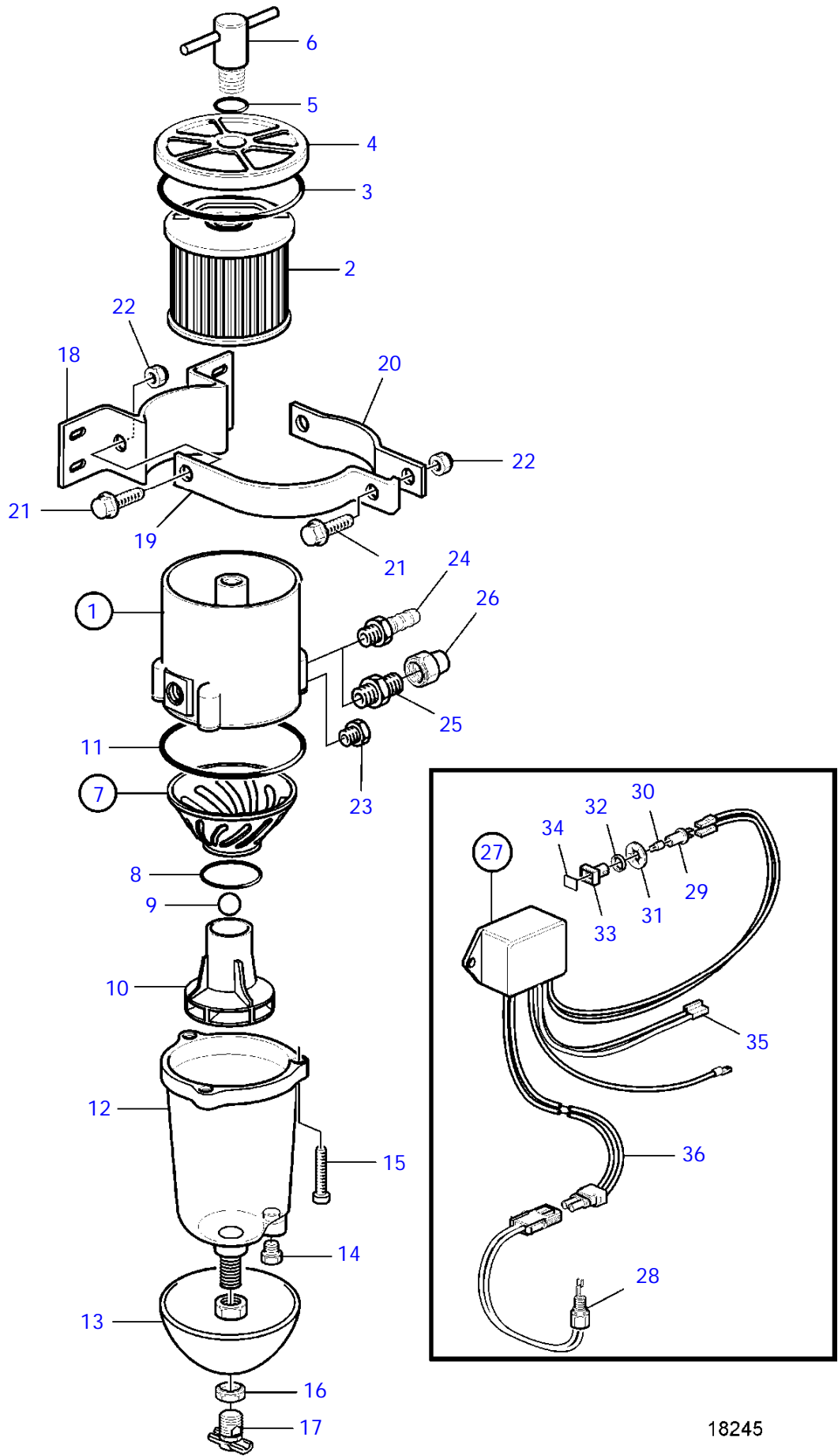
D2-55A, D2-55B, D2-55C, D2-55D, D2-55E, D2-55F



D2-55A, D2-55B, D2-55C, D2-55D, D2-55E, D2-55F

| REF | PART NO. | QTY | DESCRIPTION | SEE SEC. | NOTES |
|-----|----------|-----|------------------------|-----------|---|
| 1 | 861143 | 1 | Fuel filter | | Repl by 877762 |
| | | | * Bulletin 50-03 | 50-03-EN | Extra Fuel/Water Separators, D2010, D22 |
| | | | * Bulletin 50-10 | 50-10-EN | Changes in Fuel Filter Program due to Legislation |
| | | | * Bulletin 50-11A | 50-11A-EN | Fuel Filters / Water Separators |
| 1 | 877762 | 1 | Fuel filter | | |
| | | | * | | |
| | | | * | 9024 | |
| 2 | 861014 | 1 | * Insert | | |
| 3 | 838504 | 1 | * Gasket | | |
| 4 | | 1 | * Lock | | |
| 5 | 838505 | 1 | * O-ring | | |
| 6 | | 1 | * Handle | | |
| 7 | 861455 | 1 | * O-ring | | |
| 8 | | 1 | * * O-ring | | |
| 9 | | 1 | * * Ball | | |
| 10 | | 1 | * * Insert | | |
| 11 | 3838861 | 1 | * * Gasket | | (838502) |
| 12 | 3838848 | 1 | * Bowl | | (861453) |
| 13 | | 1 | * Plug | | |
| 14 | 861456 | 1 | * Faucet | | |
| 15 | 950024 | 4 | * Cross recessed screw | | |
| 16 | | 1 | * Bracket | | |
| 17 | | 1 | * Clamp | | |
| 18 | | 1 | * Clamp | | |
| 19 | | 3 | * Screw | | |
| 20 | | 3 | * Nut | | |
| 21 | | 1 | * Plug | | |
| 22 | 3825000 | X | Hose nipple | | (834781) |
| 23 | 954337 | X | Nipple | | |
| 24 | 954323 | X | Fitting nut | | |
| 25 | 1140724 | 1 | Level guard | | |
| 26 | 3588916 | 1 | * Alarm kit | | |
| 27 | 808175 | 1 | * Lamp socket | | |
| 28 | 19923 | 1 | * Bulb | | 12V, 2W |
| | 182059 | 1 | * Bulb | | 24V, 3W |
| 29 | 967583 | 1 | * Retainer | | |
| 30 | 829714 | 1 | * Sealing ring | | |
| 31 | 838455 | 1 | * Retainer | | |
| 32 | 872591 | 1 | * Symbol strip | | |
| 33 | | X | * cables and terminals | 1963 | |
| 34 | 881774 | 1 | Wiring harness | | |

D2-55A, D2-55B, D2-55C, D2-55D, D2-55E, D2-55F

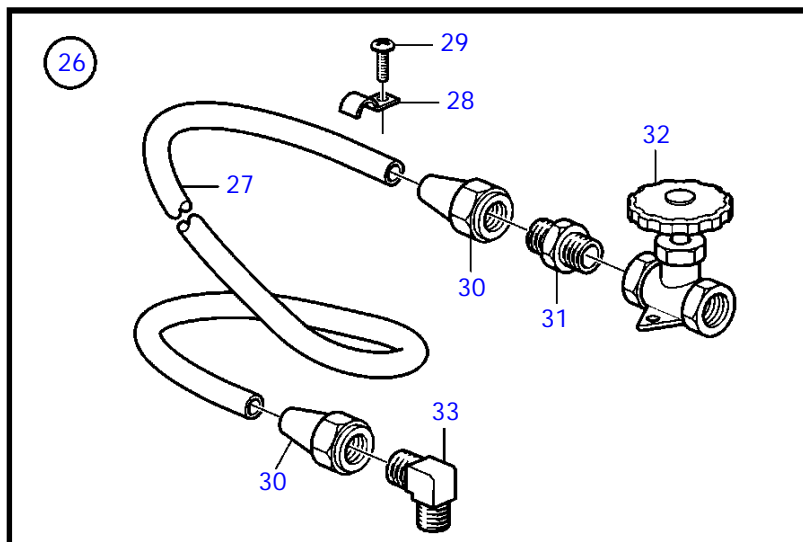
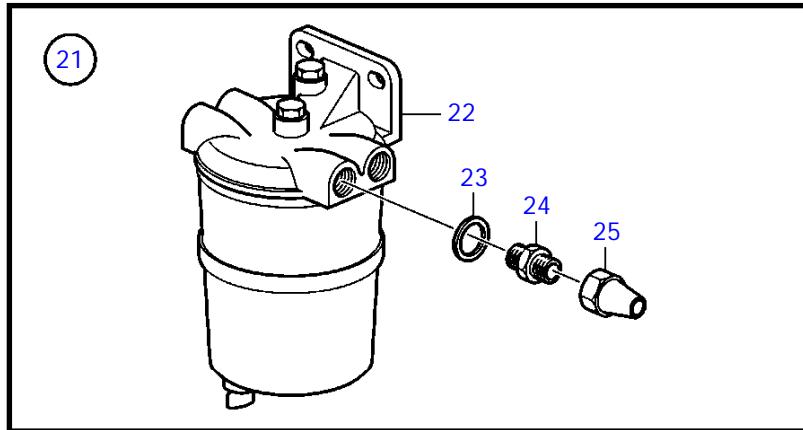
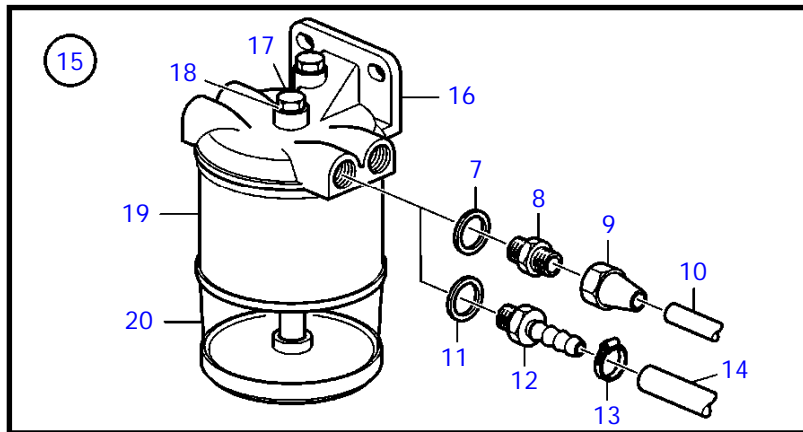
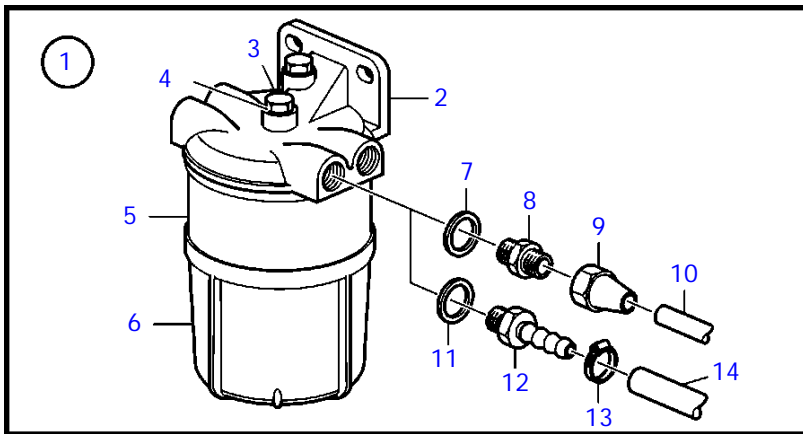


18245

D2-55A, D2-55B, D2-55C, D2-55D, D2-55E, D2-55F

| REF | PART NO. | QTY | DESCRIPTION | SEE SEC. | NOTES |
|-----|----------|-----|------------------------|-----------|---------------------------------|
| 1 | 3582350 | 1 | Fuel filter | | Repl by 877763 |
| | | | * Bulletin 50-11A | 50-11A-EN | Fuel Filters / Water Separators |
| 1 | 877763 | 1 | Fuel filter | | |
| | | | * | 9025 | |
| | | | * | | |
| 2 | 861014 | 1 | * Insert | | |
| 3 | 838504 | 1 | * Gasket | | |
| 4 | | 1 | * Lock | | |
| 5 | 838505 | 1 | * O-ring | | |
| 6 | | 1 | * Handle | | |
| 7 | 861455 | 1 | * O-ring | | |
| 8 | | 1 | * * O-ring | | |
| 9 | | 1 | * * Ball | | |
| 10 | | 1 | * * Insert | | |
| 11 | 3838861 | 1 | * * Gasket | | (838502) |
| 12 | 3838849 | 1 | Bowl | | |
| 13 | | 1 | * Heat shield | | |
| 14 | | 1 | * Plug | | |
| 15 | 950024 | 4 | * Cross recessed screw | | |
| 16 | 861459 | 2 | * Nut | | |
| 17 | (861458) | 1 | * Faucet | | Obsolete part |
| 18 | | 1 | * Bracket | | |
| 19 | | 1 | * Clamp | | |
| 20 | | 1 | * Clamp | | |
| 21 | | 3 | * Screw | | |
| 22 | | 3 | * Nut | | |
| 23 | | 1 | * Plug | | |
| 24 | 3825000 | X | Hose nipple | | (834781) |
| 25 | 954337 | X | Nipple | | |
| 26 | 954323 | X | Fitting nut | | |
| 27 | 1140724 | 1 | Level guard | | (1140609) |
| 28 | 3588916 | 1 | * Alarm kit | | |
| 29 | 808175 | 1 | * Lamp socket | | |
| 30 | 19923 | 1 | * Bulb | | 12V, 2W |
| | 182059 | 1 | * Bulb | | 24V, 3W |
| 31 | 967583 | 1 | * Retainer | | |
| 32 | 829714 | 1 | * Sealing ring | | |
| 33 | 838455 | 1 | * Retainer | | |
| 34 | 872591 | 1 | * Symbol strip | | |
| 35 | | X | * cables and terminals | 1963 | |
| 36 | 881774 | 1 | Wiring harness | | |

D2-55A, D2-55B, D2-55C, D2-55D, D2-55E, D2-55F

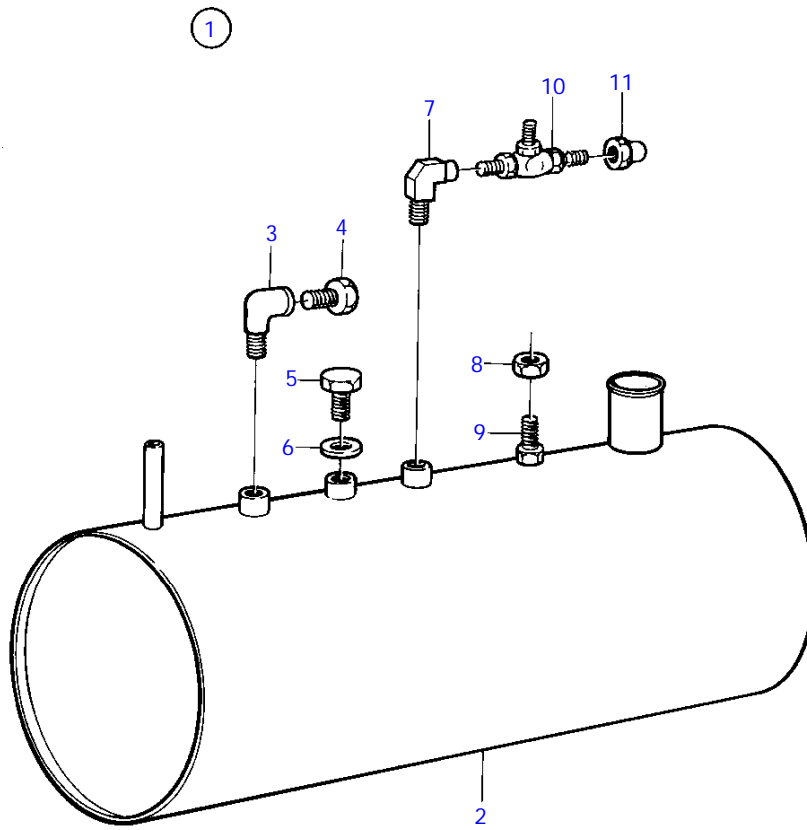


22464

D2-55A, D2-55B, D2-55C, D2-55D, D2-55E, D2-55F

| REF | PART NO. | QTY | DESCRIPTION | SEE SEC. | NOTES |
|-----|----------|-----|---------------------|-------------|---|
| 1 | 877766 | 1 | Fuel filter | | Fuel filter and water separator., Metal |
| 2 | | 1 | * Fuel filter | | |
| | | 2 | * Bulletin 50-11A | 50-11A-EN | Fuel Filters / Water Separators |
| 3 | 940113 | 1 | * * Hexagon screw | | |
| 4 | 11992 | 1 | * * Gasket | | |
| 5 | 3581078 | 1 | * * Filter insert | | |
| 6 | 3582499 | 1 | * * Bowl | | |
| 7 | 18817 | 2 | Gasket | | |
| 8 | 190962 | 2 | Nipple | | 5/16" |
| | 954337 | 2 | Nipple | | 3/8" |
| 9 | 954322 | 2 | Fitting nut | | 5/16" |
| | 954323 | 2 | Fitting nut | | 3/8" |
| 10 | 954305 | X | Tube | | Water separator., 5/16" |
| | | | * Bulletin P-23-4-3 | P-23-4-3-EN | Fuel Line 5/16", Copper Pipe |
| 10 | 1140062 | X | Copper tube | | Water separator., 3/8" |
| 11 | 957177 | 2 | Gasket | | |
| 12 | 3825000 | 2 | Hose nipple | | |
| 13 | 961664 | 2 | Hose clamp | | |
| 14 | 861057 | X | Fuel hose | | 3/8" |
| | | | * Bulletin P-23-4-4 | P-23-4-4-EN | Fuel Hose P/N 861057 |
| 15 | 877767 | 1 | Fuel filter | | Plastic |
| 16 | | 1 | * Fuel filter | | |
| 17 | 940113 | 1 | * * Hexagon screw | | |
| 18 | 11992 | 1 | * * Gasket | | |
| 19 | 3581078 | 1 | * * Filter insert | | |
| 20 | 3581189 | 1 | * * Bowl | | |
| 21 | 833972 | 1 | Water separator | | |
| 22 | 833971 | 1 | * Water separator | | |
| 23 | 957177 | 2 | * Gasket | | |
| 24 | 191397 | 2 | * Nipple | | 5/16" |
| | 941438 | 2 | * Nipple | | 3/8" |
| 25 | 954322 | 2 | * Fitting nut | | 5/16" |
| | 954323 | 2 | * Fitting nut | | 3/8" |
| 26 | 827912 | 1 | Fuel pipe | | 5/16" |
| | | | * Bulletin P-23-4-3 | P-23-4-3-EN | Fuel Line 5/16", Copper Pipe |
| 27 | 954305 | 1 | Tube | | 5/16", L=5000mm |
| | | | * Bulletin P-23-4-3 | P-23-4-3-EN | Fuel Line 5/16", Copper Pipe |
| 28 | 951189 | 15 | * Clamp | | |
| 29 | 968476 | 15 | * Flange screw | | |
| 30 | 954322 | 3 | * Fitting nut | | 5/16" |
| 31 | 954336 | 2 | * Nipple | | 5/16" |
| 32 | 3581708 | 1 | * Faucet | | |
| 33 | 954343 | 1 | * Elbow nipple | | |

D2-55A, D2-55B, D2-55C, D2-55D, D2-55E, D2-55F

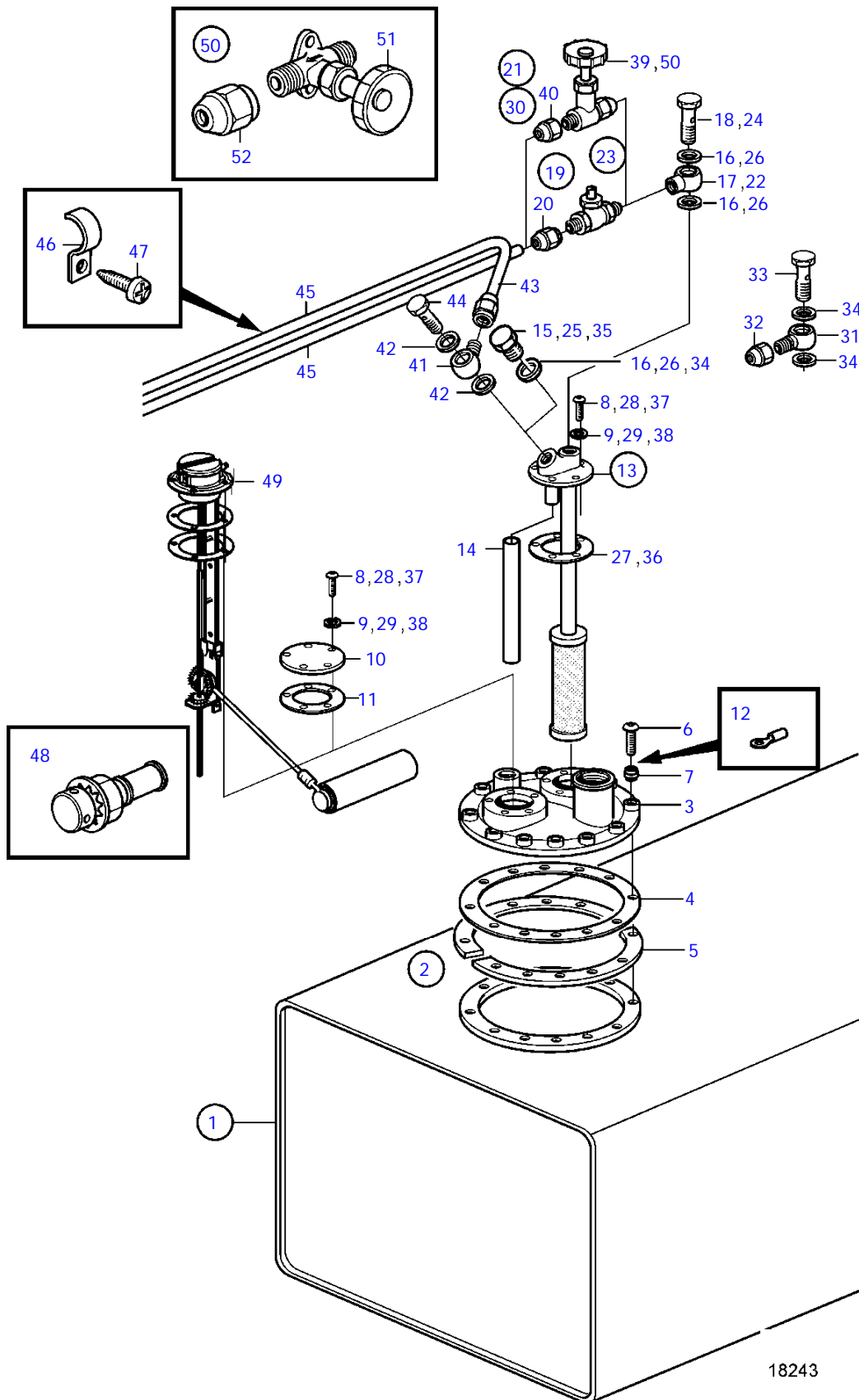


7569

D2-55A, D2-55B, D2-55C, D2-55D, D2-55E, D2-55F

| REF | PART NO. | QTY | DESCRIPTION | NOTES |
|-----|----------|-----|-----------------|---------------|
| 1 | (828423) | 1 | Fuel tank | Obsolete part |
| 2 | | 1 | * Fuel tank | 20L |
| 3 | 16218 | 1 | * Elbow nipple | |
| 4 | 981749 | 1 | * Plug | |
| 5 | 914391 | 1 | * Plug | |
| 6 | (907134) | 1 | * Gasket | Obsolete part |
| 7 | 16218 | 1 | * Elbow nipple | |
| 8 | 940197 | 1 | * Hexagon nut | |
| 9 | 963556 | 1 | * Hexagon screw | |
| 10 | (803684) | 1 | * Shut-off cock | Obsolete part |
| 11 | 954322 | 1 | * Fitting nut | |

D2-55A, D2-55B, D2-55C, D2-55D, D2-55E, D2-55F

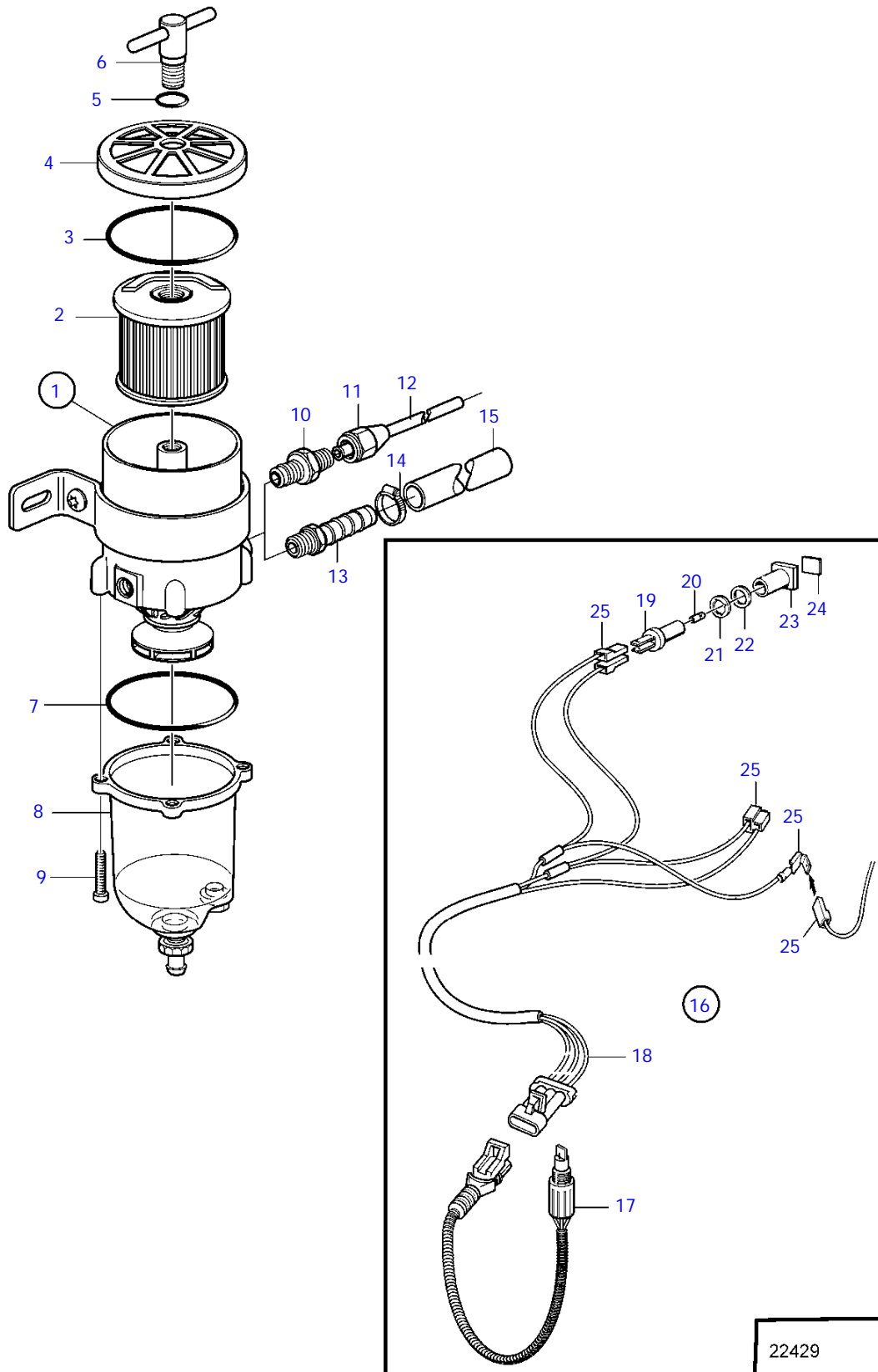


18243

D2-55A, D2-55B, D2-55C, D2-55D, D2-55E, D2-55F

| REF | PART NO. | QTY | DESCRIPTION | SEE SEC. | NOTES |
|-----|-----------|-----|--------------------------|-------------|---|
| 1 | (1140064) | 1 | Fuel tank | | 40L, Obsolete part |
| 2 | (1140063) | 1 | * Cardboard tube | | Obsolete part |
| 3 | 833799 | 1 | * * Cardboard tube | | |
| 4 | 859064 | 1 | * * Gasket | | |
| 5 | 828338 | 1 | * * Flange | | |
| 6 | 956080 | 12 | * * Cross recessed screw | | |
| 7 | 834481 | 12 | * * Gasket | | |
| 8 | 969405 | 10 | * * 6 point socket screw | | |
| 9 | 941905 | 10 | * * Spring washer | | |
| 10 | 833801 | 1 | * * Cardboard tube | | |
| 11 | 89865 | 1 | * * Gasket | | |
| 12 | 881493 | 1 | * * Cable terminal | | |
| 13 | 828341 | 1 | * Suction pipe | | L=242mm |
| | 828372 | 1 | * Suction pipe | | L=333mm |
| | 828373 | 1 | * Suction pipe | | L=458mm |
| 14 | 941279 | 1 | * * Hose | | |
| 15 | 191830 | 1 | * Plug | | |
| 16 | 957178 | 3 | * Gasket | | |
| 17 | 833857 | 1 | * Banjo nipple | | |
| 18 | 25167 | 1 | * Hollow screw | | |
| 19 | (803684) | 1 | * Shut-off cock | | Obsolete part |
| 20 | 954322 | 1 | * * Fitting nut | | |
| 21 | (828375) | 1 | Connector kit | | Obsolete part, 5/16" |
| 22 | 833857 | 1 | * Banjo nipple | | |
| 23 | (803684) | 1 | * Shut-off cock | | Obsolete part, 5/16" |
| 24 | 25167 | 1 | * Hollow screw | | |
| 25 | 191830 | 1 | * Plug | | |
| 26 | 957178 | 3 | * Gasket | | |
| 27 | 89865 | 1 | * Gasket | | |
| 28 | 969405 | 10 | * 6 point socket screw | | (956076) |
| 29 | 941905 | 10 | * Spring washer | | |
| 30 | (828376) | 1 | Connector kit | | Obsolete part, 3/8" |
| 31 | 191600 | 1 | * Banjo nipple | | |
| 32 | 954323 | 1 | * Fitting nut | | |
| 33 | 25167 | 1 | * Hollow screw | | |
| 34 | 957178 | 3 | * Gasket | | |
| 35 | 191830 | 1 | * Plug | | |
| 36 | 89865 | 1 | * Gasket | | |
| 37 | 969405 | 10 | * 6 point socket screw | | (956076) |
| 38 | 941905 | 10 | * Spring washer | | |
| 39 | 841523 | 1 | * Faucet | | 3/8" |
| 40 | 954323 | 2 | * Fitting nut | | |
| 41 | 1140724 | 1 | Level guard | | Replaced by 1pc banjo nipple 861101, 1pc nipple 190962 and 1pc cap nut. |
| 42 | 957178 | 2 | Gasket | | |
| 43 | 807061 | 1 | Cap nut | | |
| 44 | 25167 | 1 | Hollow screw | | |
| 45 | 954305 | X | Tube | | 5/16" |
| | | | * Bulletin P-23-4-3 | P-23-4-3-EN | Fuel Line 5/16", Copper Pipe |
| 45 | 1140062 | X | Copper tube | | 3/8" |
| 46 | 951189 | X | Clamp | | |
| 47 | 968476 | X | Flange screw | | |
| 48 | (1144037) | 1 | Tank valve | | Obsolete part |
| 49 | | 1 | Tank gauge | 21490 | D2-55A, D2-55B, D2-55C, D2-75A |
| | | 1 | Tank gauge | 21459 | D2-55D, D2-55E, D2-55F, D2-75B, D2-75C, D2-75F |
| 50 | 838418 | 1 | Fuel tap | | 3/8" |
| 51 | 841523 | 1 | * Faucet | | |
| 52 | 954323 | 2 | * Fitting nut | | |

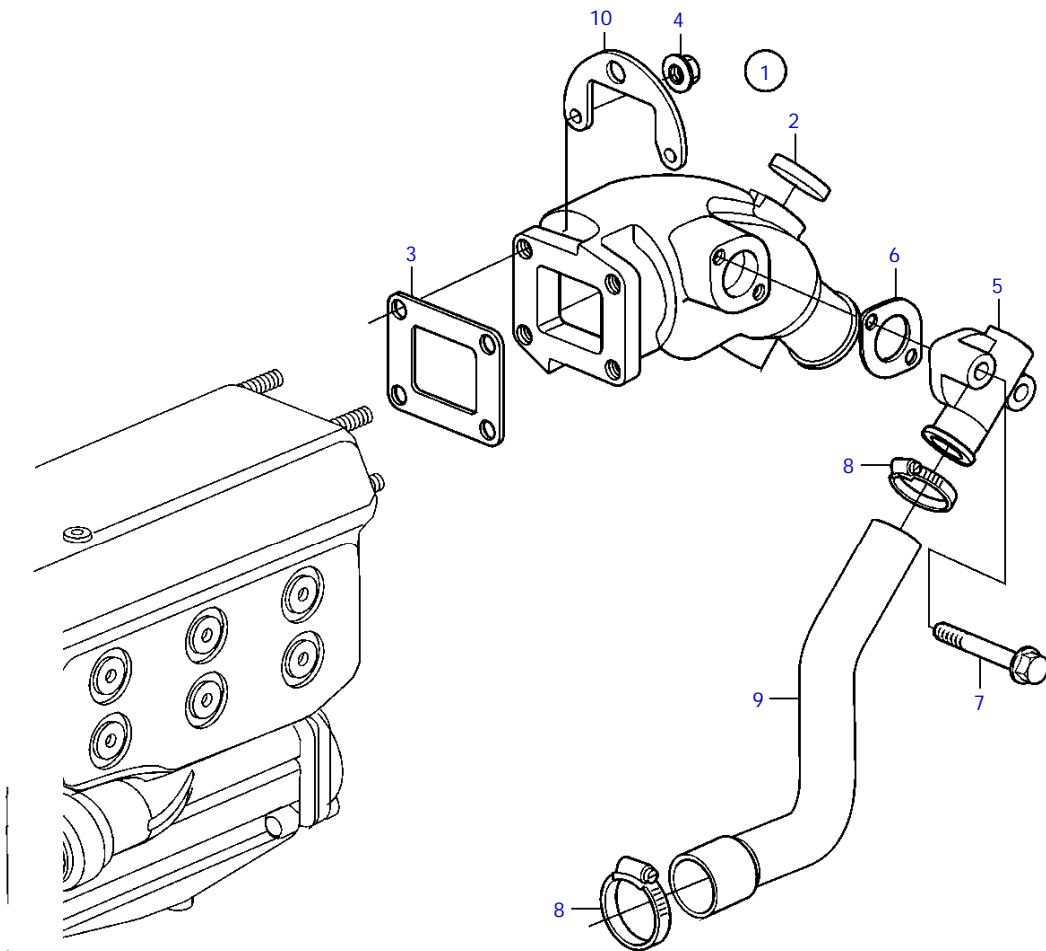
D2-55A, D2-55B, D2-55C, D2-55D, D2-55E, D2-55F



D2-55A, D2-55B, D2-55C, D2-55D, D2-55E, D2-55F

| REF | PART NO. | QTY | DESCRIPTION | SEE SEC. | NOTES |
|-----|----------|-----|------------------------|-------------|----------------------|
| 1 | 877762 | 1 | Fuel filter | | (861143) |
| 2 | 1147147 | 1 | * Fuel filter insert | | 2 mikron |
| | 861014 | 1 | * Insert | | 10 mikron |
| | 3581760 | 1 | * Insert | | 30 mikron |
| 3 | 838504 | 1 | * Gasket | | |
| 4 | | 1 | * Lock | | |
| 5 | 838505 | 1 | * O-ring | | |
| 6 | | 1 | * Handle | | |
| 7 | 3838861 | 1 | * Gasket | | |
| 8 | 3838848 | 1 | * Bowl | | |
| 9 | 950024 | 4 | * Cross recessed screw | | |
| 10 | 954337 | 2 | Nipple | | |
| 11 | 954323 | 2 | Fitting nut | | |
| 12 | 1140062 | 2 | Copper tube | | |
| 13 | 3825000 | 2 | Hose nipple | | |
| 14 | 961664 | 2 | Hose clamp | | |
| 15 | 861057 | X | Fuel hose | | 3/8" |
| | | | * Bulletin P-23-4-4 | P-23-4-4-EN | Fuel Hose P/N 861057 |
| 16 | 1140724 | 1 | Level guard | | |
| 17 | 3588916 | 1 | * Alarm kit | | |
| 18 | 881774 | 1 | * Wiring harness | | |
| 19 | 808175 | 1 | * Lamp socket | | |
| 20 | 19923 | 1 | * Bulb | | 12V, 2W |
| | 182059 | 1 | * Bulb | | 24V, 3W |
| 21 | 967583 | 1 | * Retainer | | |
| 22 | 829714 | 1 | * Sealing ring | | |
| 23 | 838455 | 1 | * Retainer | | |
| 24 | 872591 | 1 | * Symbol strip | | |
| 25 | | X | * cables and terminals | 1963 | |

D2-55A, D2-55B

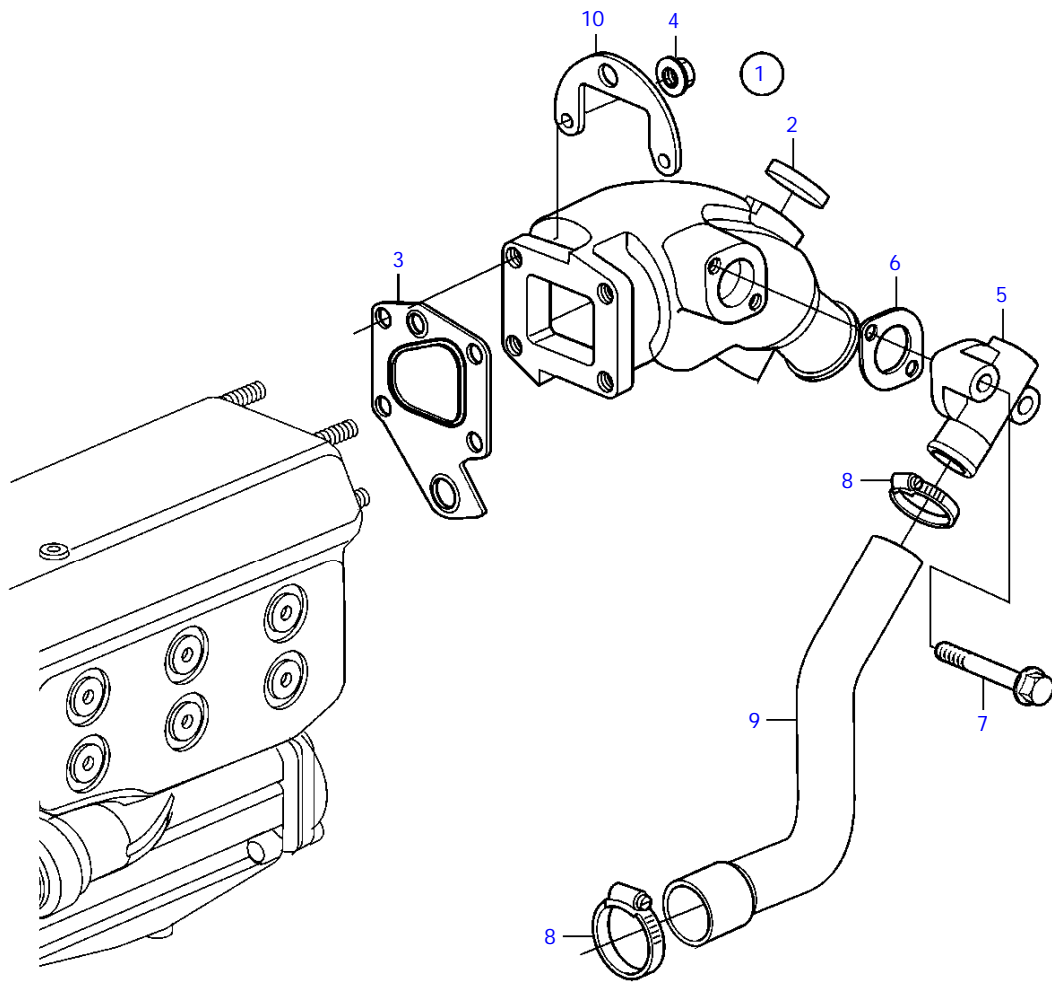


18956

D2-55A, D2-55B

| REF | PART NO. | QTY | DESCRIPTION | NOTES |
|-----|----------|-----|---------------|----------------------|
| 1 | 3589544 | 1 | Exhaust riser | Replaced by 21424345 |
| | 21424345 | 1 | Exhaust riser | |
| 2 | 11997805 | 3 | • Plug | |
| 3 | 859834 | 1 | Gasket | |
| 4 | 21246409 | 4 | Flange nut | |
| 5 | 859836 | 1 | Connector | |
| 6 | 859835 | 1 | Gasket | |
| 7 | 948217 | 2 | Flange screw | |
| 8 | 961669 | 2 | Hose clamp | |
| 9 | 3583084 | 1 | Hose | |
| 10 | | 1 | Lifting eye | |

D2-55C, D2-55D, D2-55E, D2-55F

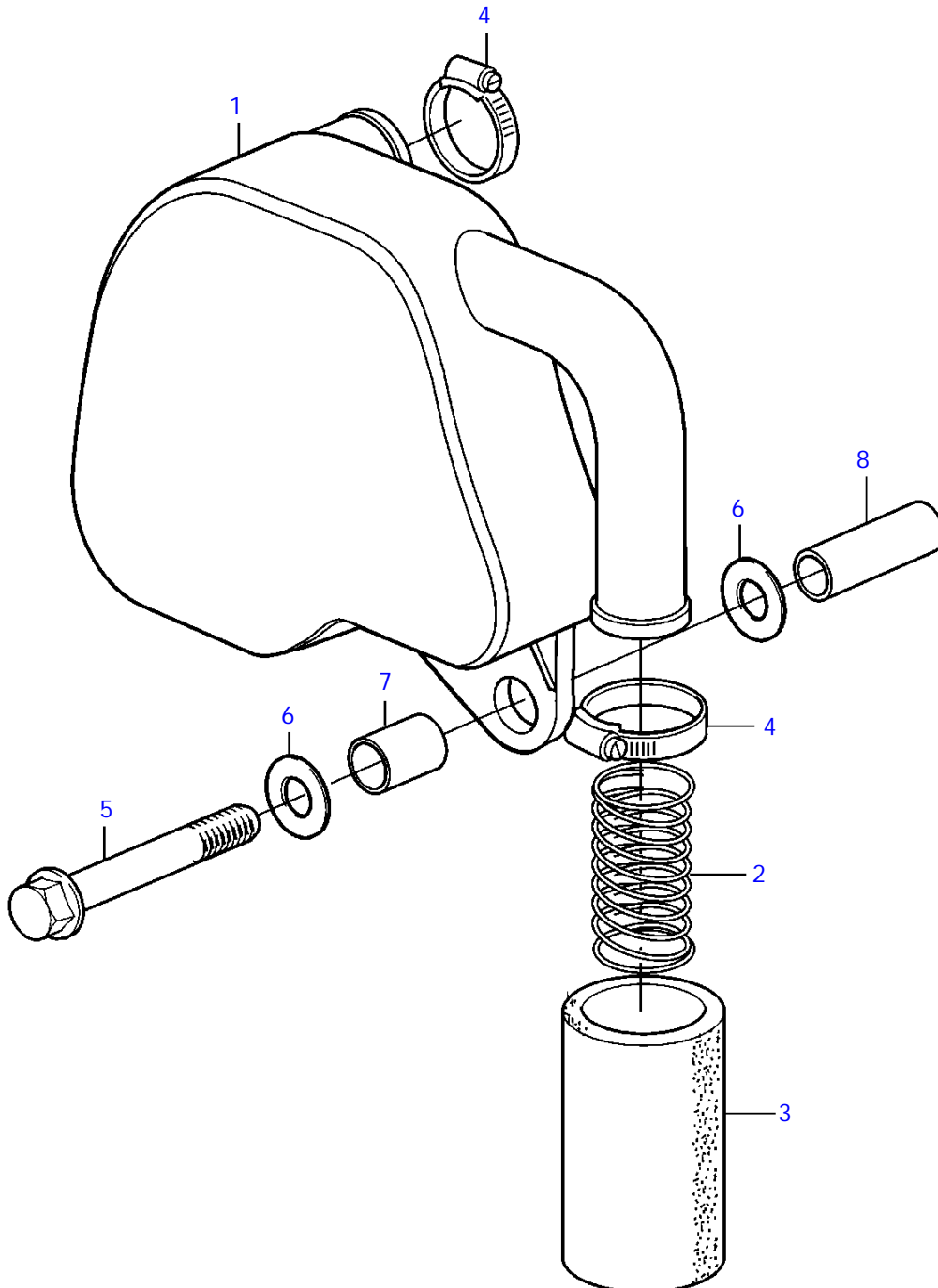


23160

D2-55C, D2-55D, D2-55E, D2-55F

| REF | PART NO. | QTY | DESCRIPTION | NOTES |
|-----|----------|-----|---------------|----------------------|
| 1 | 3589544 | 1 | Exhaust riser | Replaced by 21424345 |
| | 21424345 | 1 | Exhaust riser | |
| 2 | 11997805 | 3 | • Plug | |
| 3 | 888596 | 1 | Gasket | |
| 4 | 21246409 | 4 | Flange nut | |
| 5 | 859836 | 1 | Connector | |
| 6 | 859835 | 1 | Gasket | |
| 7 | 948217 | 2 | Flange screw | |
| 8 | 961669 | 2 | Hose clamp | |
| 9 | 3589547 | 1 | Hose | |
| 10 | | 1 | Lifting eye | |

D2-55A, D2-55B, D2-55C, D2-55D, D2-55E, D2-55F

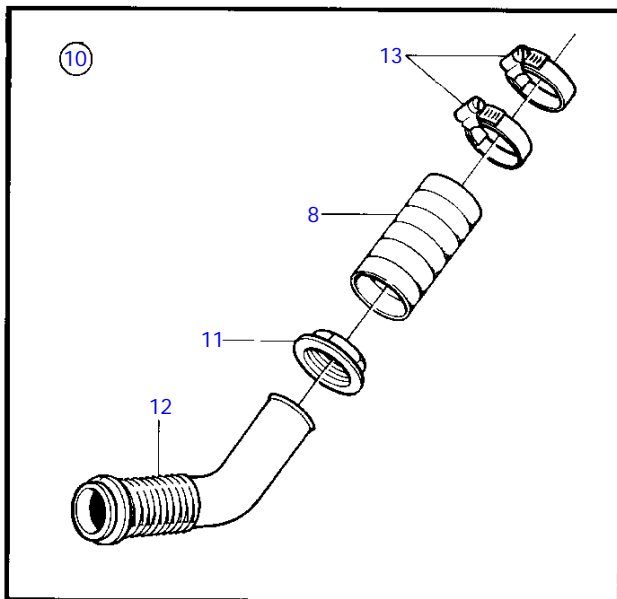
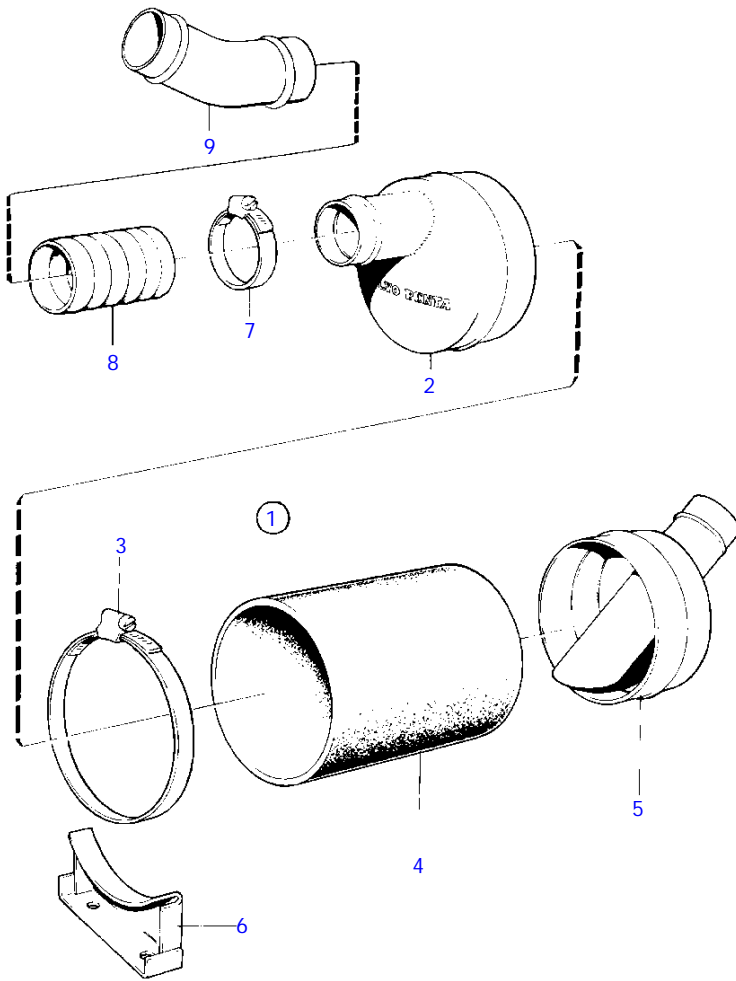


18966

D2-55A, D2-55B, D2-55C, D2-55D, D2-55E, D2-55F

| REF | PART NO. | QTY | DESCRIPTION |
|-----|----------|-----|-------------|
| 1 | 3583068 | 1 | Muffler |
| 2 | 3580510 | 1 | Spring |
| 3 | 3580509 | 1 | Filter |
| 4 | 961672 | 2 | Hose clamp |
| 5 | 3583796 | 1 | Screw |
| 6 | 191169 | 2 | Washer |
| 7 | 3818117 | 1 | Spacer |
| 8 | 3583797 | 1 | Spacer |

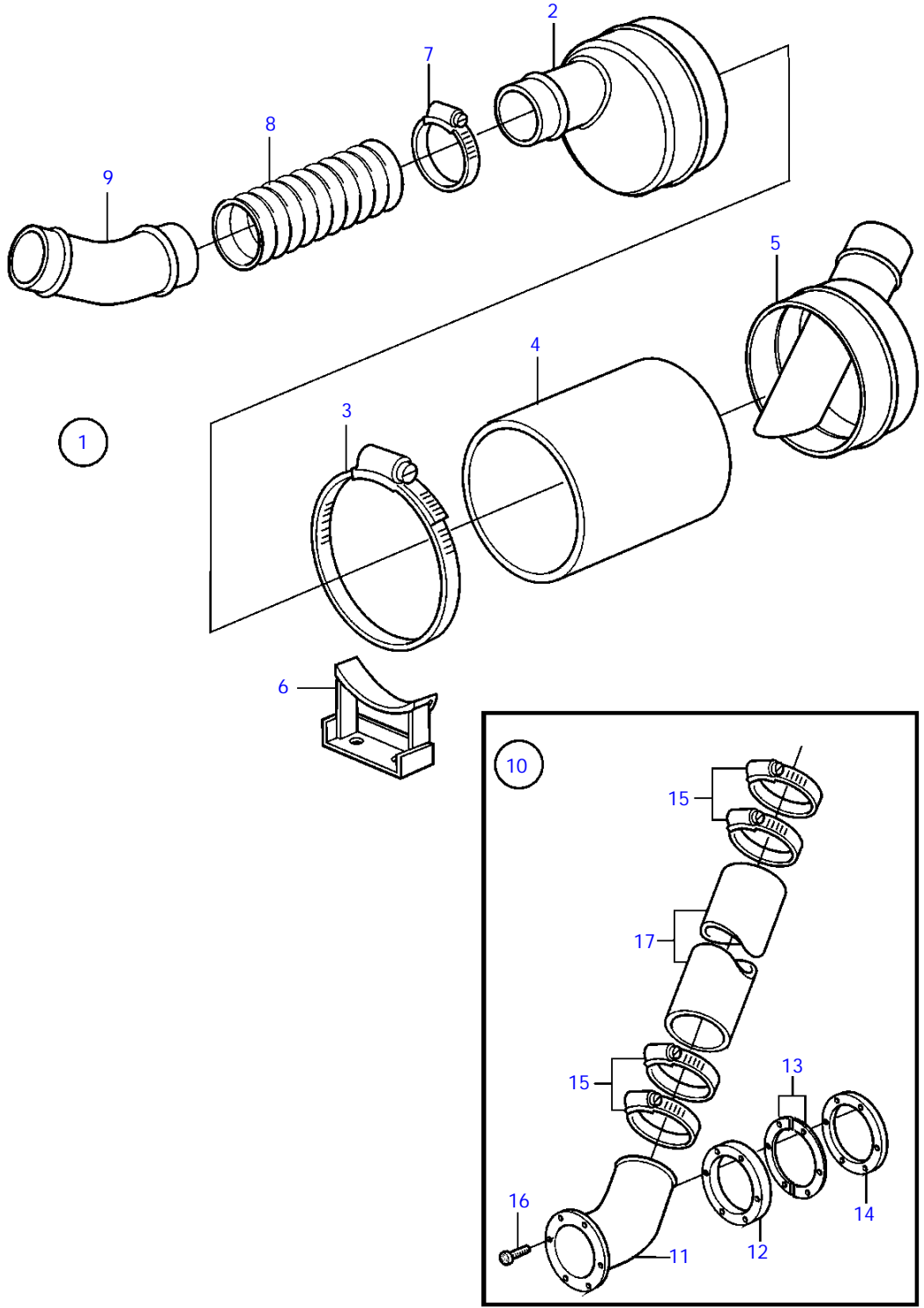
D2-55A, D2-55B, D2-55C, D2-55D, D2-55E, D2-55F



D2-55A, D2-55B, D2-55C, D2-55D, D2-55E, D2-55F

| REF | PART NO. | QTY | DESCRIPTION | NOTES |
|-----|----------|-----|----------------|-----------------|
| 1 | 838327 | 1 | Muffler | |
| 2 | | 1 | * End plate | |
| 3 | 961678 | 4 | * Hose clamp | |
| 4 | 828060 | 1 | * Exhaust hose | |
| 5 | | 1 | * End plate | |
| 6 | 828061 | 2 | * Retainer | |
| 7 | 961673 | X | Hose clamp | |
| 8 | 1140666 | X | Exhaust hose | D=57mm (828465) |
| 9 | 828255 | 1 | Riser | 45° |
| 10 | 831781 | 1 | Hull fitting | |
| 11 | 827876 | 1 | * Nut | |
| 12 | 828695 | 1 | * Hull fitting | |
| 13 | 961673 | 4 | * Hose clamp | |

D2-55A, D2-55B, D2-55C, D2-55D, D2-55E, D2-55F



18288



D2-55A, D2-55B, D2-55C, D2-55D, D2-55E, D2-55F

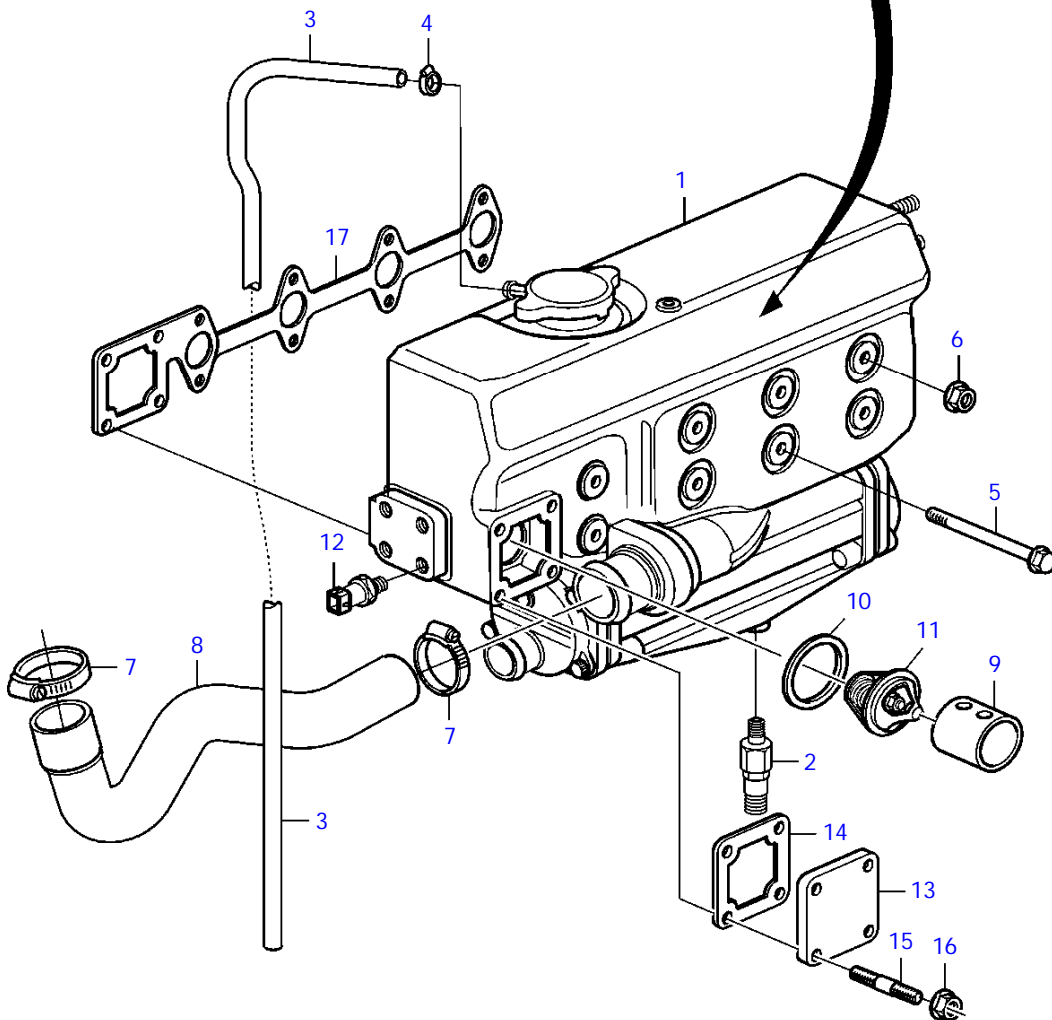
| REF | PART NO. | QTY | DESCRIPTION | NOTES |
|-----|----------|-----|----------------|----------|
| 1 | 842768 | 1 | Muffler | |
| 2 | | 1 | * End plate | |
| 3 | 949000 | 4 | * Hose clamp | |
| 4 | 842766 | 1 | * Exhaust hose | |
| 5 | | 1 | * End plate | |
| 6 | 842767 | 2 | * Bracket | |
| 7 | 853012 | X | Hose clamp | |
| 8 | 1140667 | X | Exhaust hose | (828729) |
| 9 | 843287 | 1 | Riser | |
| 10 | 828295 | 1 | Hull fitting | |
| 11 | 828292 | 1 | * Hull fitting | |
| 12 | 828293 | 1 | * Expander | |
| 13 | | 2 | * Washer | |
| 14 | 828412 | 1 | * Washer | |
| 15 | 853012 | 4 | * Hose clamp | |
| 16 | 828410 | 6 | * Screw | |
| 17 | 1140667 | X | * Exhaust hose | (828729) |

D2-55A, D2-55B

18

**VOLVO
PENTA**

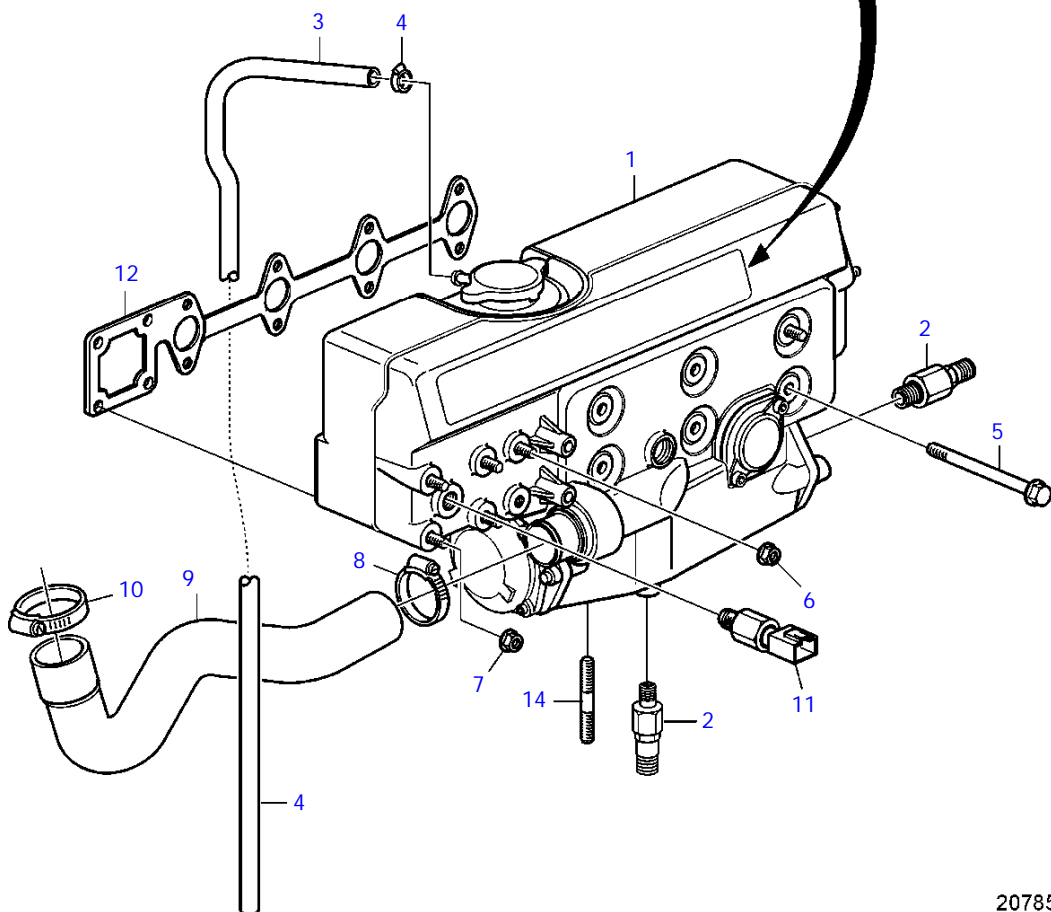
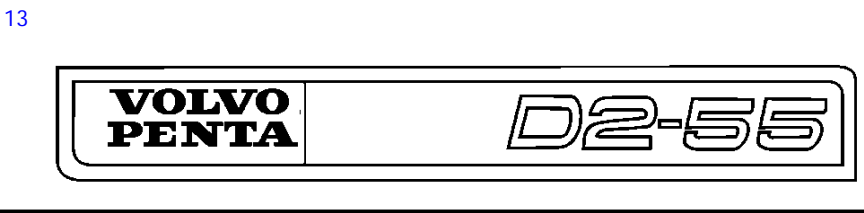
D2-55



18955

D2-55A, D2-55B

| REF | PART NO. | QTY | DESCRIPTION | SEE SEC. | NOTES |
|-----|----------|-----|-----------------|----------|---------------------|
| 1 | 3583086 | 1 | Heat exchanger | | Replaced by 3808561 |
| | | | * | | |
| | | | * | 7491 | |
| | 3808561 | 1 | Heat exchanger | | |
| | | | * | | |
| | | | * | 9867 | |
| 2 | 949918 | 1 | Shut-off cock | | |
| 3 | 3580529 | 1 | Tube | | |
| 4 | 961662 | 1 | Hose clamp | | |
| 5 | 968842 | 6 | Flange screw | | |
| 6 | 948645 | 3 | Flange lock nut | | |
| 7 | 961669 | 2 | Hose clamp | | |
| 8 | 3583065 | 1 | Pipe | | |
| 9 | 3580515 | 1 | Spacer sleeve | | |
| 10 | 3580514 | 1 | Sealing ring | | |
| 11 | 3580365 | 1 | Thermostat | | |
| 12 | | 1 | Pressure sensor | 5503 | |
| 13 | 3580517 | 1 | Cardboard tube | | |
| 14 | 3583780 | 1 | Gasket | | |
| 15 | 3580519 | 4 | Stud | | |
| 16 | 945407 | 4 | Flange nut | | |
| 17 | 3583781 | 1 | Gasket | | |
| 18 | 3583091 | 1 | Decal | | |

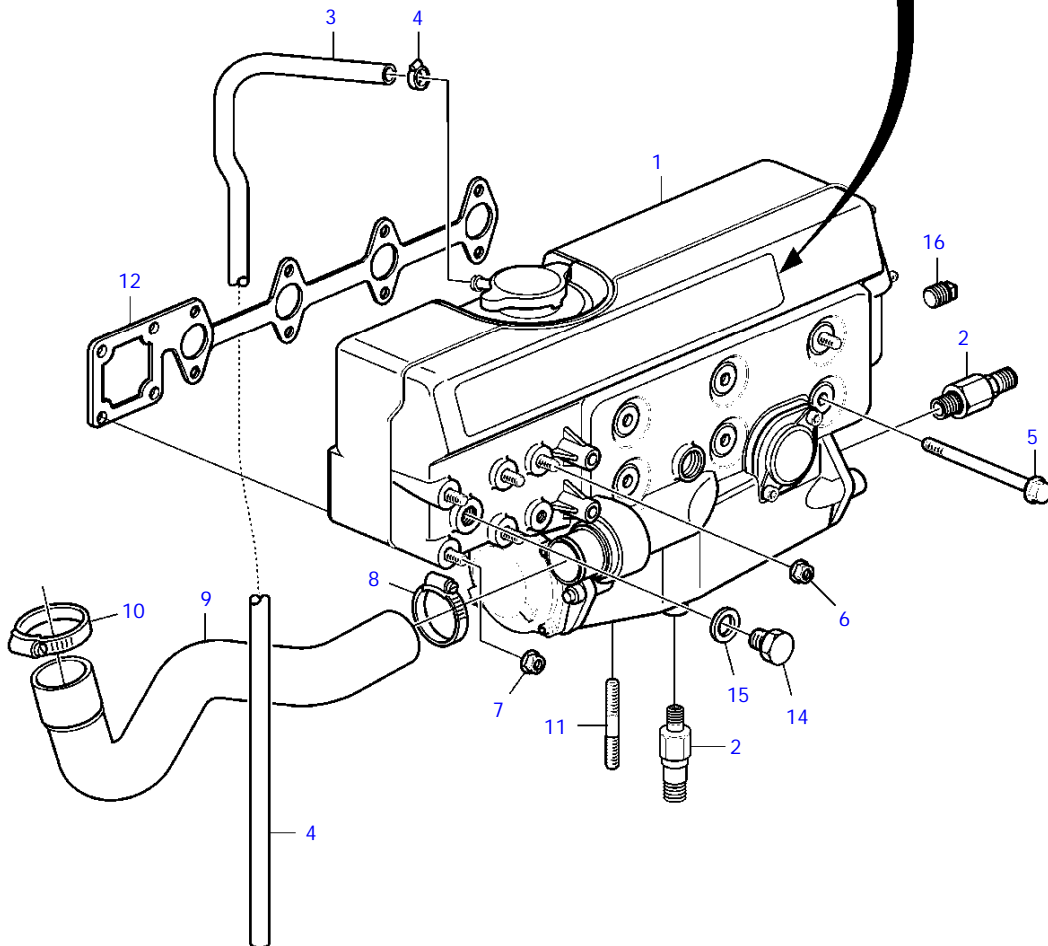
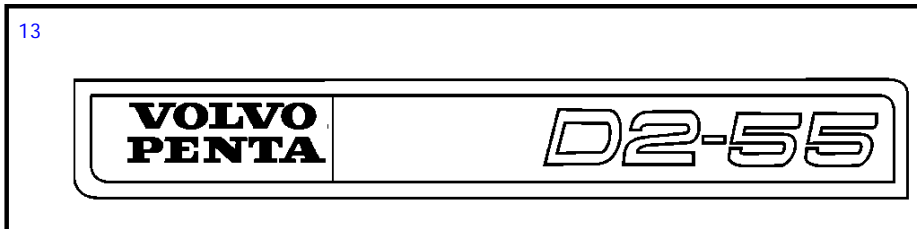


20785

D2-55C

| REF | PART NO. | QTY | DESCRIPTION | SEE SEC. | NOTES |
|-----|----------|-----|-----------------|----------|---------|
| 1 | 3808561 | 1 | Heat exchanger | | |
| | | | * | | |
| | | | * | 9867 | |
| 2 | 949918 | 3 | Shut-off cock | | |
| 3 | 192618 | 1 | Hose | | |
| 4 | 961662 | 1 | Hose clamp | | |
| 5 | 968842 | 6 | Flange screw | | L=110mm |
| 6 | 948645 | 2 | Flange lock nut | | |
| 7 | 971096 | 4 | Flange nut | | |
| 8 | 853548 | 1 | Hose clamp | | |
| 9 | 3583065 | 1 | Pipe | | |
| 10 | 961669 | 1 | Hose clamp | | |
| 11 | | 1 | Pressure sensor | 6757 | |
| 12 | 3583781 | 1 | Gasket | | |
| 13 | 3583091 | 1 | Decal | | |
| 14 | 3584105 | 4 | Stud | | |

D2-55D, D2-55E, D2-55F

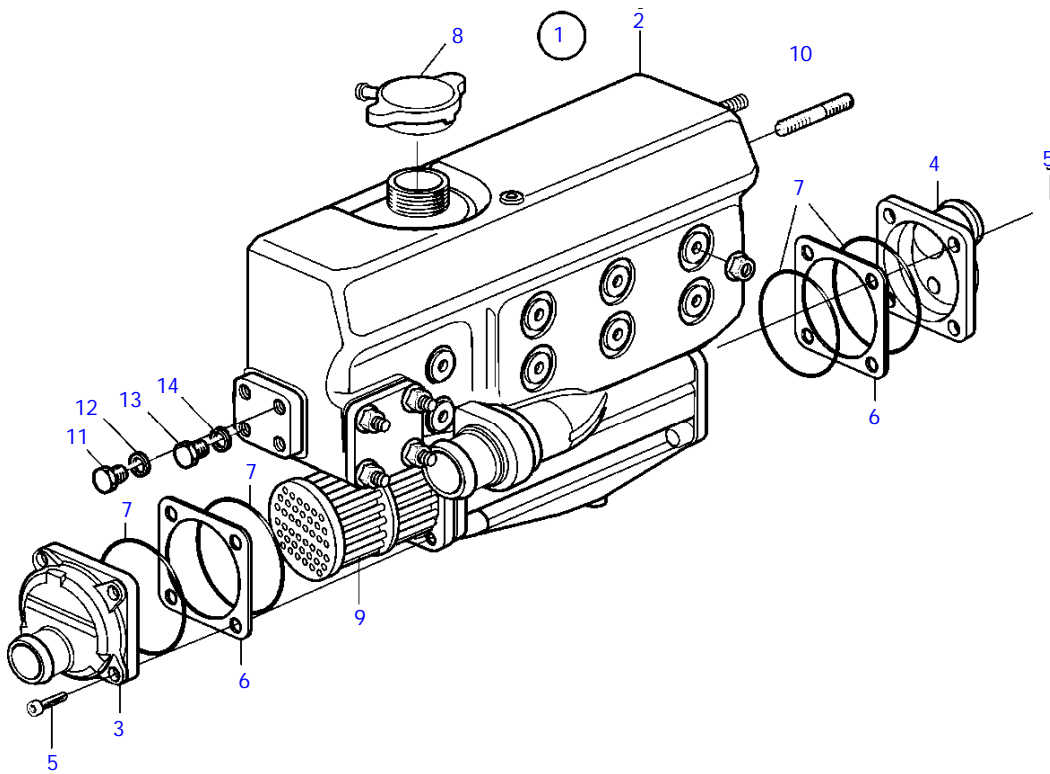


23589

D2-55D, D2-55E, D2-55F

| REF | PART NO. | QTY | DESCRIPTION | SEE SEC. | NOTES |
|-----|----------|-----|----------------|----------|---------|
| 1 | 3808561 | 1 | Heat exchanger | | |
| | | | * | | |
| | | | * | 9867 | |
| 2 | 949918 | 3 | Shut-off cock | | |
| 3 | 192618 | 1 | Hose | | |
| 4 | 961662 | 1 | Hose clamp | | |
| 5 | 968842 | 6 | Flange screw | | L=110mm |
| 6 | 21246409 | 2 | Flange nut | | |
| 7 | 945407 | 4 | Flange nut | | |
| 8 | 853548 | 1 | Hose clamp | | |
| 9 | 3583065 | 1 | Pipe | | |
| 10 | 961669 | 1 | Hose clamp | | |
| 11 | 3584105 | 4 | Stud | | |
| 12 | 3583781 | 1 | Gasket | | |
| 13 | 3583091 | 1 | Decal | | |
| 14 | 960631 | 1 | Plug | | |
| 15 | 11996 | 1 | Gasket | | |
| 16 | 21194538 | 1 | Plug | | |

D2-55A, D2-55B

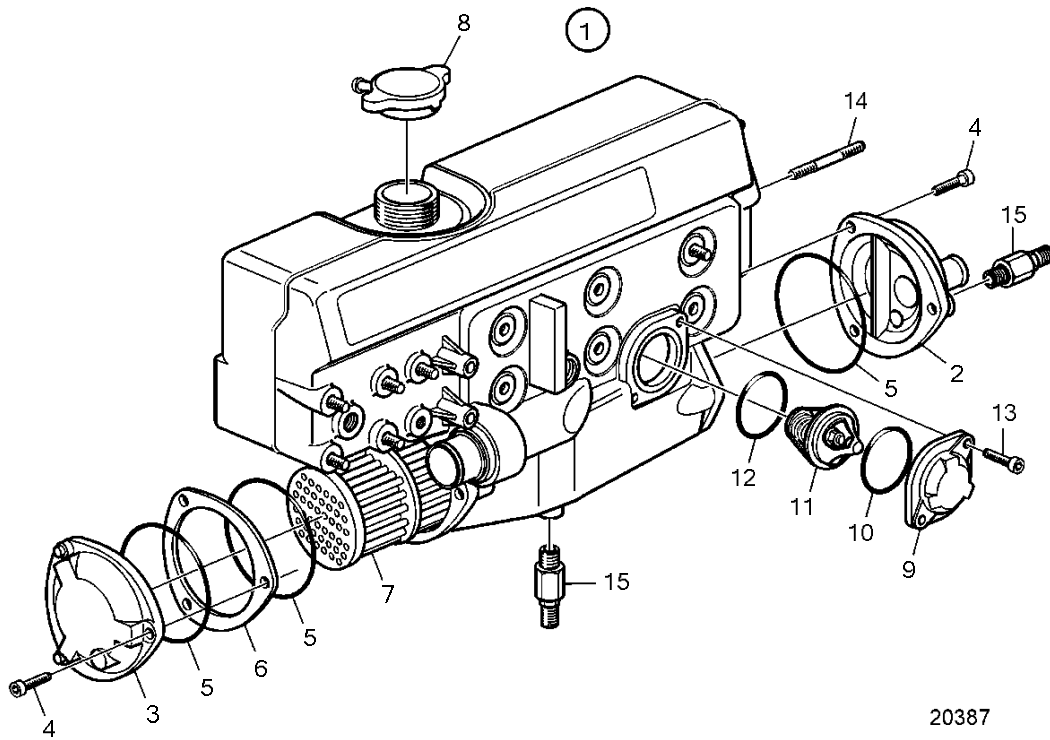


20771

D2-55A, D2-55B

| REF | PART NO. | QTY | DESCRIPTION | NOTES |
|-----|----------|-----|------------------------|--------|
| 1 | 3583086 | 1 | Heat exchanger | |
| 2 | | 1 | * Heat exchanger housi | |
| 3 | 3584207 | 1 | * End plate | |
| 4 | 3584206 | 1 | * End plate | |
| 5 | 3838337 | 8 | * Screw | |
| 6 | 3580968 | 1 | * Plate | |
| 7 | 3580818 | 4 | * O-ring | |
| 8 | 3581770 | 1 | * Filler cap | |
| | 888625 | 1 | * Cardboard tube | D2-55B |
| 9 | 3584205 | 1 | * Insert | |
| 10 | 3584203 | 4 | * Stud | |
| 11 | 861918 | 1 | * Plug | |
| 12 | 947624 | 1 | * Gasket | |
| 13 | 914391 | 1 | * Plug | |
| 14 | 947623 | 1 | * Gasket | |

D2-55C, D2-55D, D2-55F

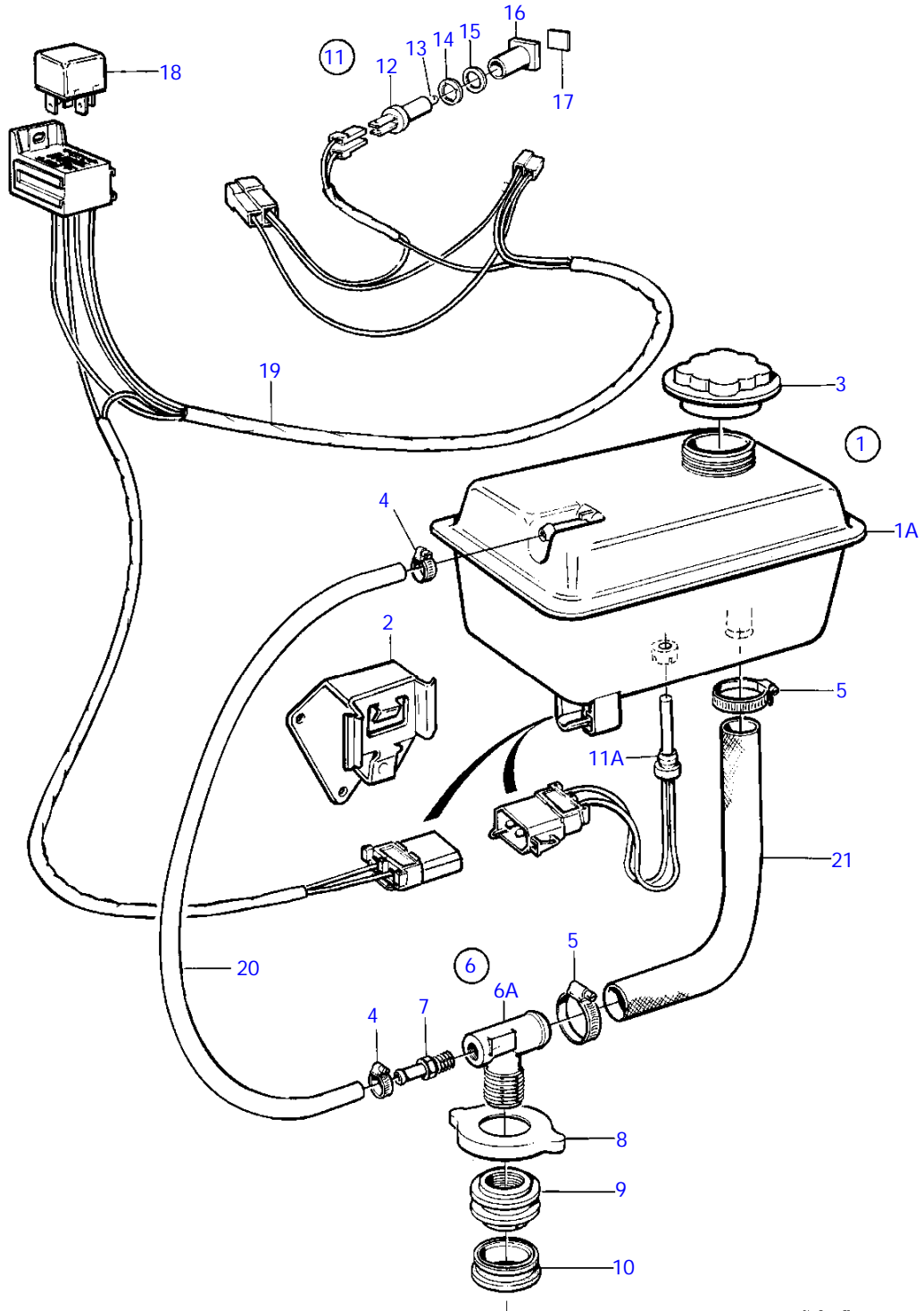


20387

D2-55C, D2-55D, D2-55F

| REF | PART NO. | QTY | DESCRIPTION | NOTES |
|-----|----------|-----|---------------------|----------|
| 1 | 3808561 | 1 | Heat exchanger | |
| 2 | 888628 | 1 | * Cover | |
| 3 | 888627 | 1 | * Heater | |
| 4 | 3838337 | 6 | * Screw | |
| 5 | 3581070 | 3 | * O-ring | |
| 6 | 3580870 | 1 | * Washer | |
| 7 | 888626 | 1 | * Heater | |
| 8 | 888625 | 1 | * Cardboard tube | |
| 9 | 888622 | 1 | * Thermostat | |
| 10 | 3583830 | 1 | * O-ring | (888623) |
| 11 | 888624 | 1 | * Thermostat | |
| 12 | 3586514 | 1 | * O-ring | |
| 13 | 959222 | 2 | * Hex. socket screw | |
| 14 | 3584203 | 4 | * Stud | |
| 15 | 949918 | 2 | Shut-off cock | |

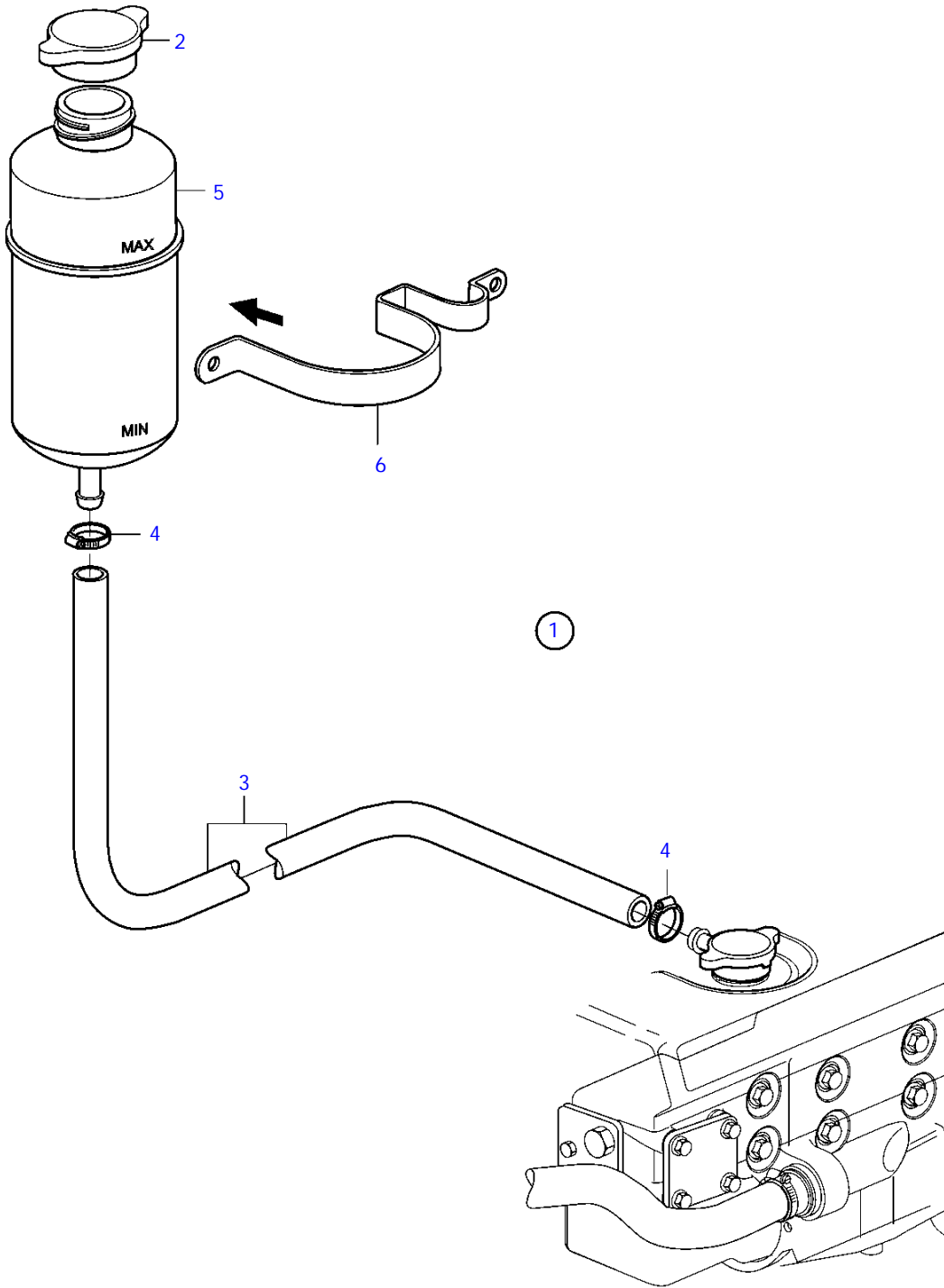
D2-55A, D2-55B, D2-55C, D2-55D, D2-55E, D2-55F



15865

D2-55A, D2-55B, D2-55C, D2-55D, D2-55E, D2-55F

| REF | PART NO. | QTY | DESCRIPTION | SEE SEC. | NOTES |
|-----|-----------|-----|------------------------|-------------|---|
| 1 | 3581427 | 1 | Expansion tank | | (861745) |
| 1A | 861105 | 1 | * Expansion tank | | |
| | | | * Bulletin P-18-4-4 | P-18-4-4-EN | Coolant Recommendations for Gas Engines |
| | | | * Bulletin p-26-1-7 | p-26-1-7-EN | Coolant Capacity, FWC Gas Engines |
| 2 | 3582351 | 1 | * Bracket | | |
| 3 | 1674083 | 1 | * Pressure cap | | 75kPa (1357775) |
| 4 | 961663 | 2 | * Hose clamp | | |
| 5 | 961666 | 2 | * Hose clamp | | |
| 6 | 3581441 | 1 | * Hose connection | | (861741) |
| 6A | 943516 | 1 | * * Elbow nipple | | |
| 7 | 860558 | 1 | * * Hose coupling | | |
| 8 | 861740 | 1 | * * Cardboard tube | | |
| 9 | 3581430 | 1 | * * Sealing retainer | | |
| 10 | 1543751 | 1 | * * Sealing ring | | |
| 11 | (861759) | 1 | Level guard | | Obsolete part |
| 11A | 3547710 | 1 | * Level guard | | |
| 12 | 808175 | 1 | * Lamp socket | | |
| 13 | 19923 | 1 | * Bulb | | 12V, 2W |
| 14 | 967583 | 1 | * Retainer | | |
| 15 | 829714 | 1 | * Sealing ring | | |
| 16 | 838455 | 1 | * Retainer | | |
| 17 | (3825092) | 1 | * Symbol strip | | Obsolete part |
| 18 | 873765 | 1 | * Relay | | (873765) |
| 19 | | X | * cables and terminals | 1963 | |
| 20 | 942700 | X | Hose | | |
| 21 | 952970 | X | Hose | | |

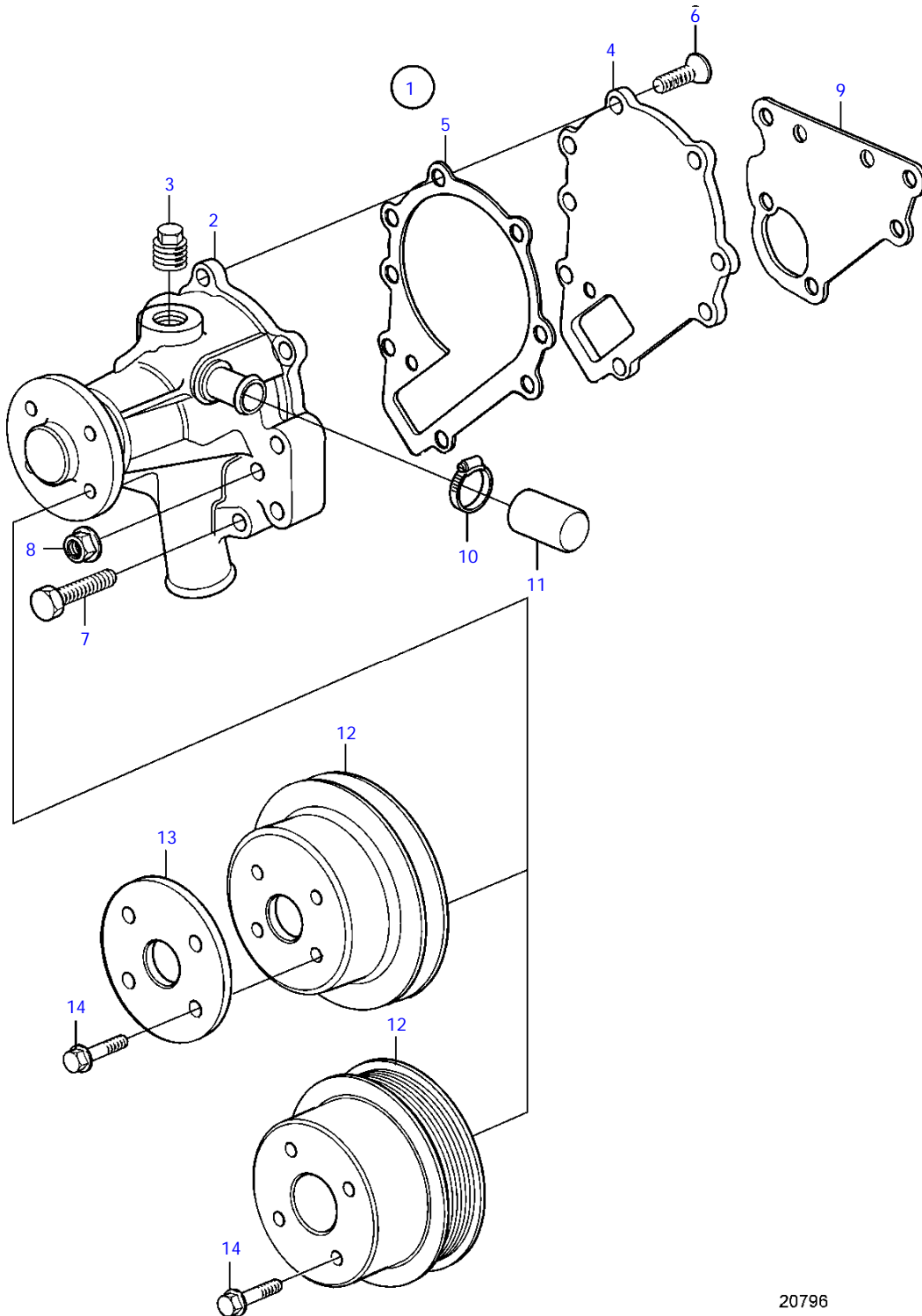


20786

D2-55B

| REF | PART NO. | QTY | DESCRIPTION | NOTES |
|-----|----------|-----|--------------------|----------|
| 1 | 3812272 | 1 | Expansion tank kit | |
| 2 | 829205 | 1 | * Cardboard tube | |
| 3 | 942700 | 1 | * Hose | L=2000mm |
| 4 | 993978 | 2 | * Hose clamp | |
| 5 | 686834 | 1 | * Expansion tank | |
| 6 | 679535 | 1 | * Clamp | |

D2-55A, D2-55B, D2-55C, D2-55D, D2-55E

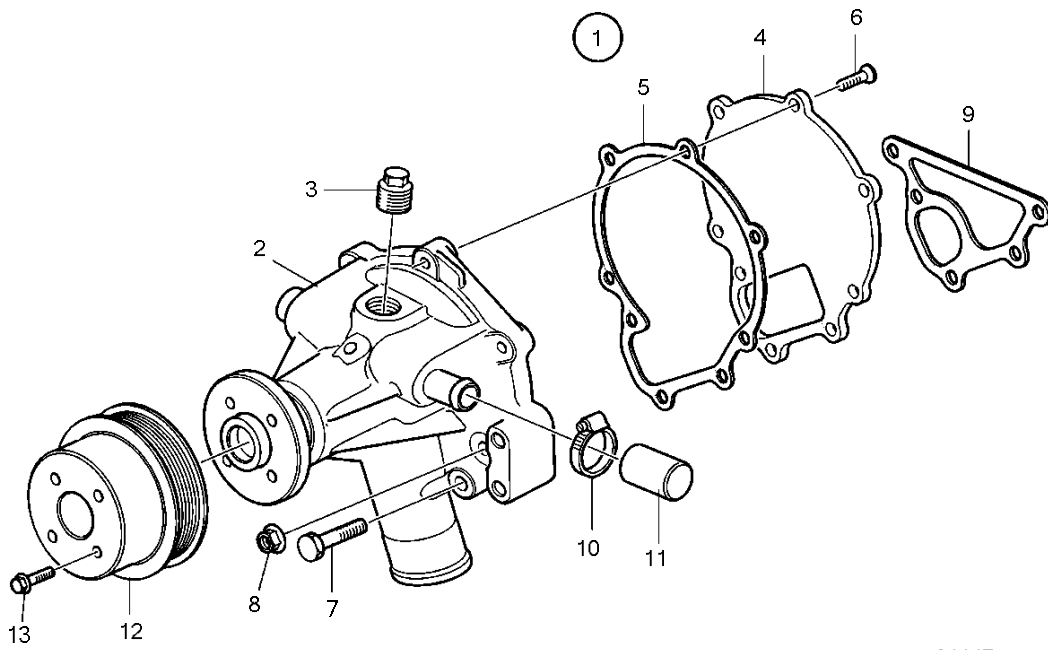


20796

D2-55A, D2-55B, D2-55C, D2-55D, D2-55E

| REF | PART NO. | QTY | DESCRIPTION | NOTES |
|-----|----------|-----|--------------------|--------------------------------|
| 1 | 3583561 | 1 | Water pump | Replaced by 21169678 |
| | 21169678 | 1 | Water pump | |
| | 3801345 | 1 | Coolant pump, exch | |
| 2 | | 1 | * Water pump | |
| 3 | | 1 | * Plug | |
| 4 | 3580575 | 1 | * Plate | |
| 5 | 3580576 | 1 | * Plate | |
| 6 | 3580577 | 3 | * Screw | |
| 7 | 3580258 | 4 | Screw | |
| 8 | 945407 | 1 | Flange nut | |
| 9 | 3583754 | 1 | Gasket | |
| 10 | 961664 | 1 | Hose clamp | |
| 11 | 842235 | 1 | Cardboard tube | |
| 12 | 3580579 | 1 | Pulley | D2-55A |
| | 3584085 | 1 | Pulley | D2-55B, D2-55C, D2-55D, D2-55E |
| 13 | 3580580 | 1 | Flange | |
| 14 | 3580581 | 4 | Screw | |

D2-55F

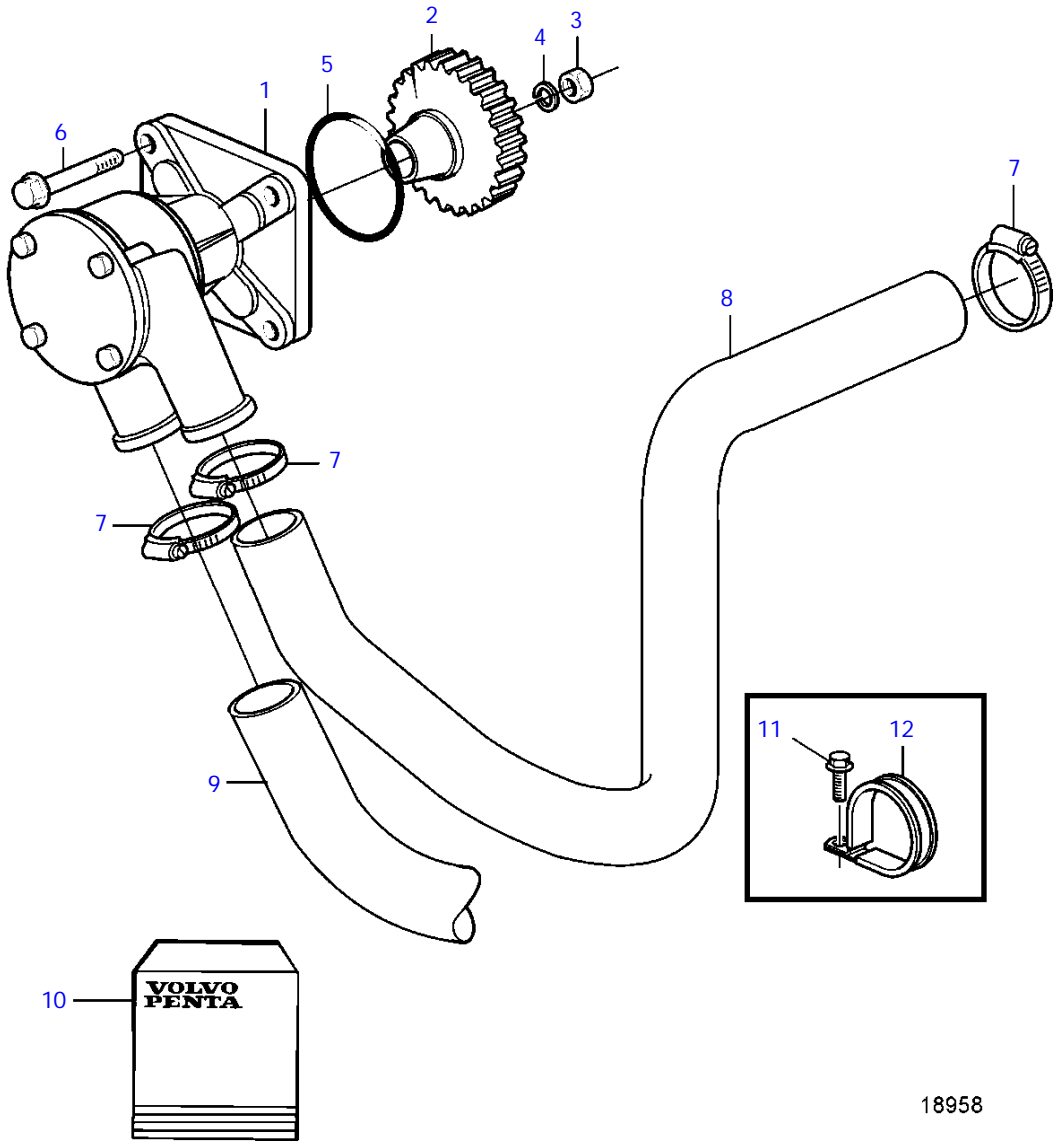


24447

D2-55F

| REF | PART NO. | QTY | DESCRIPTION |
|-----|----------|-----|--------------------|
| 1 | 21169678 | 1 | Water pump |
| | 3801345 | 1 | Coolant pump, exch |
| 2 | | 1 | * Water pump |
| 3 | | 1 | * Plug |
| 4 | 3580575 | 1 | * Plate |
| 5 | 3580576 | 1 | * Plate |
| 6 | 3580577 | 3 | * Screw |
| 7 | 3580258 | 4 | Screw |
| 8 | 945407 | 1 | Flange nut |
| 9 | 21194527 | 1 | Gasket |
| 10 | 961664 | 1 | Hose clamp |
| 11 | 842235 | 1 | Cardboard tube |
| 12 | 21194494 | 1 | Pulley |
| 13 | 3580581 | 4 | Screw |

D2-55A, D2-55B, D2-55C, D2-55D, D2-55E, D2-55F

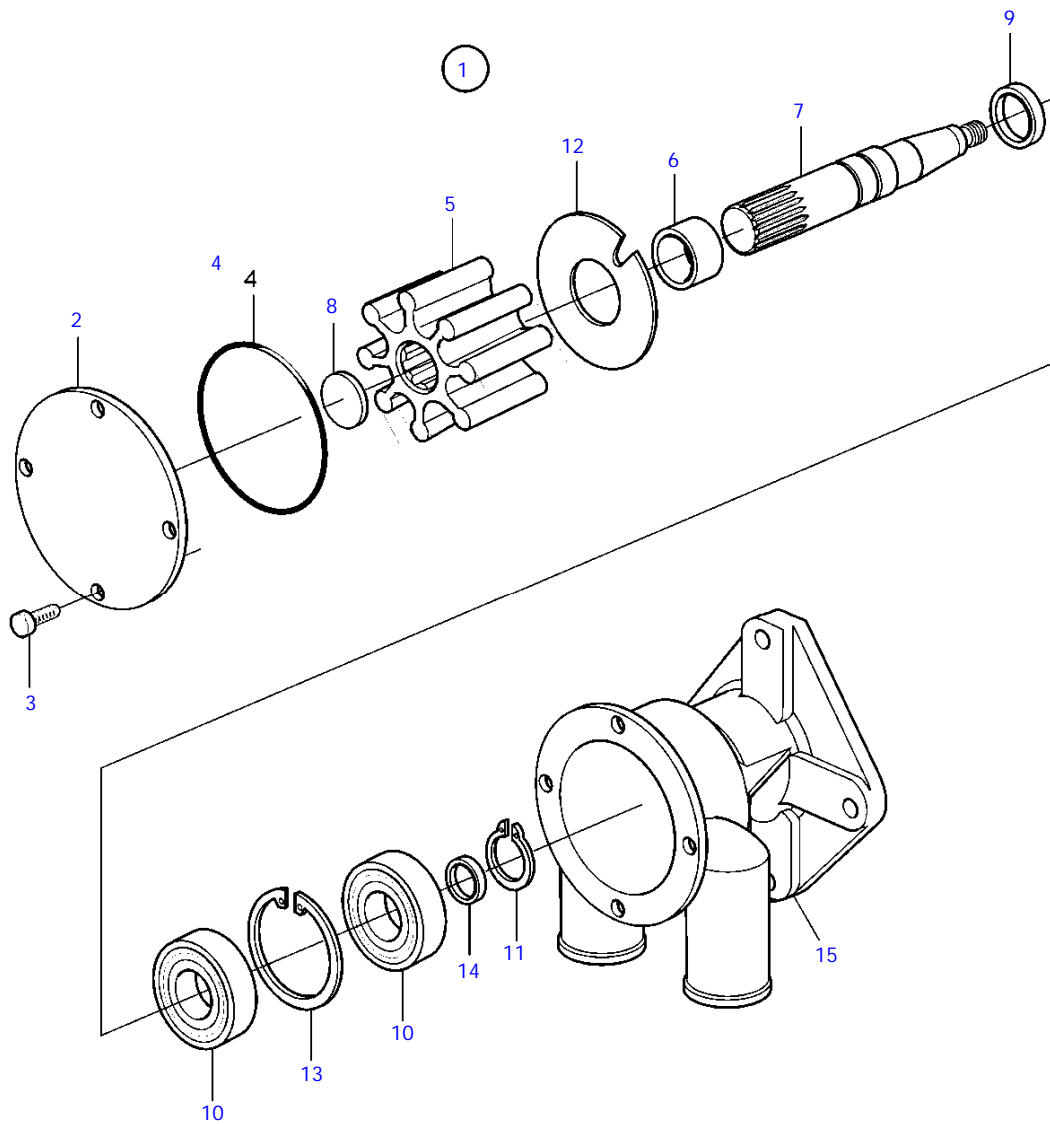


18958

D2-55A, D2-55B, D2-55C, D2-55D, D2-55E, D2-55F

| REF | PART NO. | QTY | DESCRIPTION | SEE SEC. | NOTES |
|-----|----------|-----|----------------|----------|--------------------------------|
| 1 | 3583089 | 1 | Sea water pump | | |
| | | | * | | |
| | | | * | 7171 | |
| 2 | 3580379 | 1 | Gear | | |
| 3 | 971071 | 1 | Hexagon nut | | |
| 4 | 3580015 | 1 | Spring washer | | |
| 5 | 3580380 | 1 | O-ring | | |
| 6 | 21252722 | 4 | Flange screw | | |
| 7 | 943476 | 4 | Hose clamp | | |
| 8 | 3583064 | 1 | Hose | | D2-55A, D2-55B |
| | 3589546 | 1 | Hose | | D2-55C, D2-55D, D2-55E, D2-55F |
| 9 | | | Hose | | For HS25A-A |
| | | | * | 5505 | |
| | | | Hose | | For MS25L-A and MS25A-A |
| | | | * | 5508 | |
| 10 | | | Impeller kit | | |
| | | | * | 5516 | |
| 11 | 21246630 | 1 | Hexagon screw | | M8X25 |
| 12 | 949850 | 1 | Clamp | | |

D2-55A, D2-55B, D2-55C, D2-55D, D2-55E, D2-55F

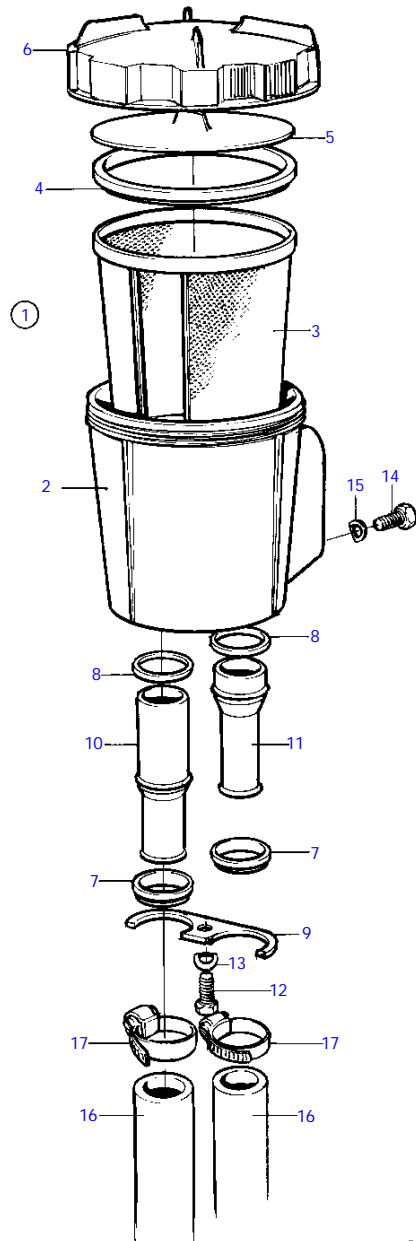


20426

D2-55A, D2-55B, D2-55C, D2-55D, D2-55E, D2-55F

| REF | PART NO. | QTY | DESCRIPTION | SEE SEC. | NOTES |
|-----|----------|-----|------------------|----------|--------------------|
| 1 | 3583089 | 1 | Sea water pump | | |
| 2 | 3583985 | 1 | * Cardboard tube | | |
| 3 | 3885957 | 4 | * Slotted screw | | |
| 4 | 3583809 | 1 | * O-ring | | |
| 5 | | 1 | * Impeller kit | 6910 | D2-75 |
| | | 1 | * Impeller kit | 5516 | D2-55 |
| 6 | 3583987 | 1 | * Sealing ring | | |
| 7 | | 1 | * Shaft | | |
| 8 | 3583988 | 1 | * Washer | | |
| 9 | 925057 | 1 | * O-ring | | |
| 10 | 3583989 | 1 | * Ball bearing | | Replaced by 860202 |
| | 860202 | 2 | * Bearing | | |
| 11 | 914451 | 1 | * Snap ring | | |
| 12 | | 1 | * Wear ring | | |
| 13 | 3583991 | 1 | * Locking clip | | |
| 14 | 3583992 | 1 | * Sealing ring | | |
| 15 | | 1 | * Housing | | |

D2-55A, D2-55B, D2-55C, D2-55D, D2-55E, D2-55F

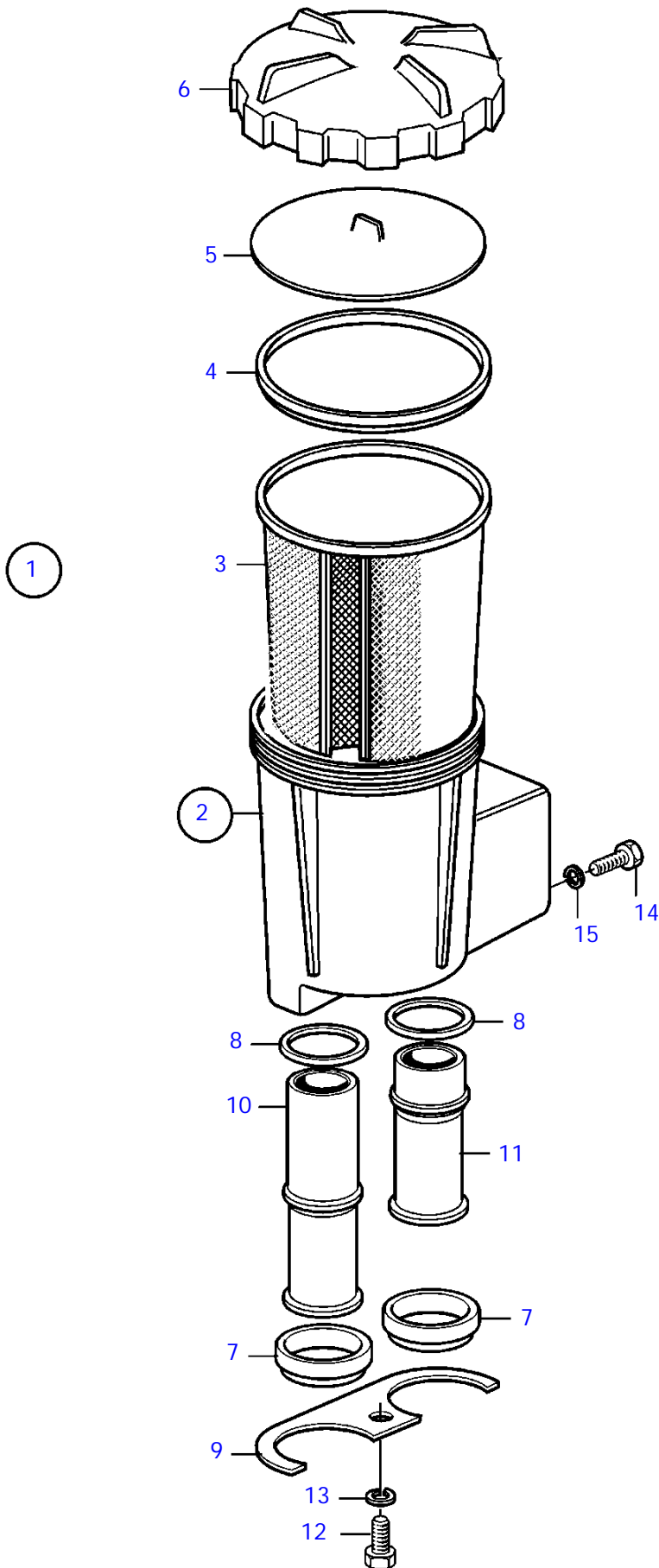


15055

D2-55A, D2-55B, D2-55C, D2-55D, D2-55E, D2-55F

| REF | PART NO. | QTY | DESCRIPTION | NOTES |
|-----|----------|-----|--------------------|----------|
| 1 | 21219693 | 1 | Sea water filter | |
| 2 | 842924 | 1 | * Strainer | |
| 3 | 842723 | 1 | * * Strainer | |
| 4 | 842724 | 1 | * * Sealing | |
| 5 | 842982 | 1 | * * Pressure plate | |
| 6 | 842722 | 1 | * * Cover | |
| 7 | 847108 | 2 | * Pipe retainer | |
| 8 | 858986 | 2 | * Sealing ring | |
| 9 | 21211745 | 1 | * Retainer | |
| 10 | 3888859 | 1 | * Connection pipe | Inlet |
| 11 | 3888862 | 1 | * Connection pipe | Outlet |
| 12 | 955270 | 1 | * Hexagon screw | |
| 13 | 941906 | 1 | * Spring washer | |
| 14 | 965215 | 4 | * Flange screw | (955296) |
| 15 | 941907 | 4 | * Spring washer | |
| 16 | 952970 | X | Hose | |
| 17 | 961666 | X | Hose clamp | |

D2-55A, D2-55B, D2-55C, D2-55D, D2-55E, D2-55F

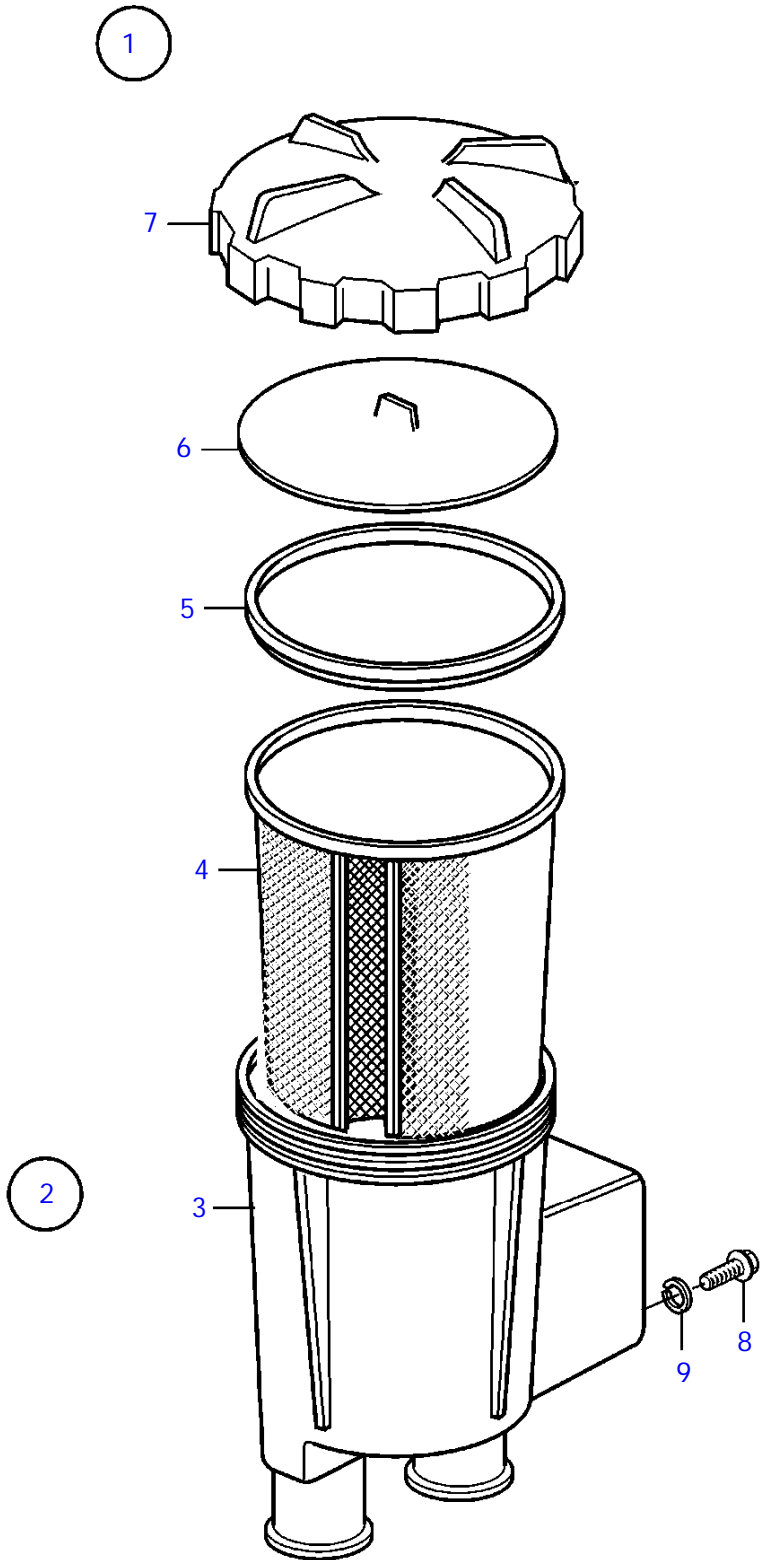


18976

D2-55A, D2-55B, D2-55C, D2-55D, D2-55E, D2-55F

| REF | PART NO. | QTY | DESCRIPTION | NOTES |
|-----|----------|-----|--------------------|----------|
| 1 | 21219685 | 1 | Sea water filter | |
| 2 | 842924 | 1 | * Strainer | |
| 3 | 842723 | 1 | * * Strainer | |
| 4 | 842724 | 1 | * * Sealing | |
| 5 | 842982 | 1 | * * Pressure plate | |
| 6 | 842722 | 1 | * * Cover | |
| 7 | 847108 | 2 | * Pipe retainer | |
| 8 | 858986 | 2 | * Sealing ring | |
| 9 | 21211745 | 1 | * Retainer | |
| 10 | 3888859 | 1 | * Connection pipe | Inlet |
| 11 | 21147599 | 1 | * Connection pipe | Outlet |
| 12 | 955270 | 1 | * Hexagon screw | |
| 13 | 941906 | 1 | * Spring washer | |
| 14 | 965215 | 4 | * Flange screw | (955296) |
| 15 | 941907 | 4 | * Spring washer | |

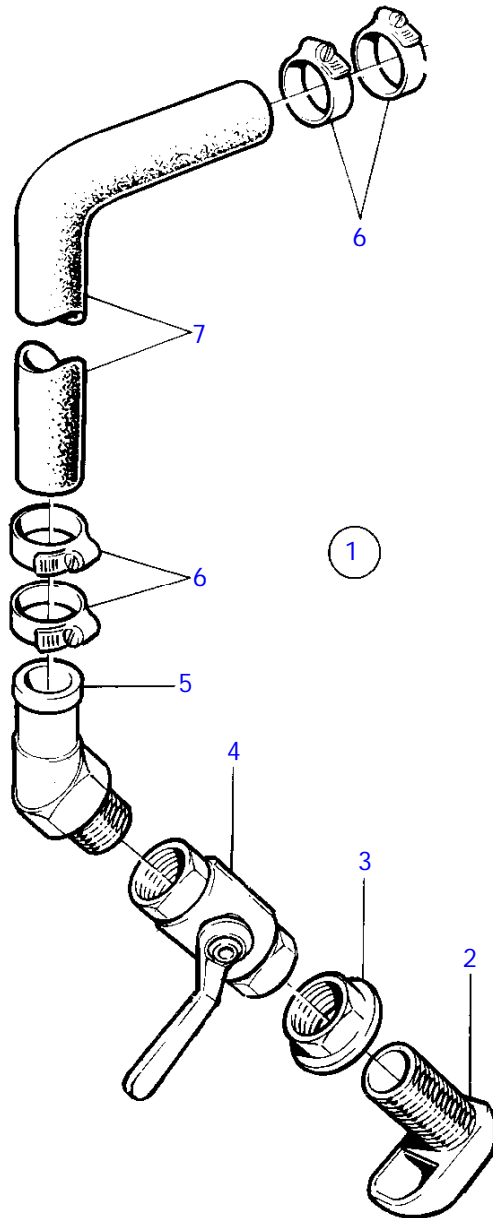
D2-55A, D2-55B, D2-55C, D2-55D, D2-55E, D2-55F



D2-55A, D2-55B, D2-55C, D2-55D, D2-55E, D2-55F

| REF | PART NO. | QTY | DESCRIPTION |
|-----|----------|-----|----------------------|
| 1 | 3583840 | 1 | Sea water filter |
| 2 | 860631 | 1 | • Sea water filter |
| 3 | | 1 | • • Strainer housing |
| 4 | 860687 | 1 | • • Strainer |
| 5 | 842724 | 1 | • • Sealing |
| 6 | 842982 | 1 | • • Pressure plate |
| 7 | 842722 | 1 | • • Cover |
| 8 | 965215 | 4 | • Flange screw |
| 9 | 941907 | 4 | • Spring washer |

D2-55A, D2-55B, D2-55C, D2-55D, D2-55E, D2-55F

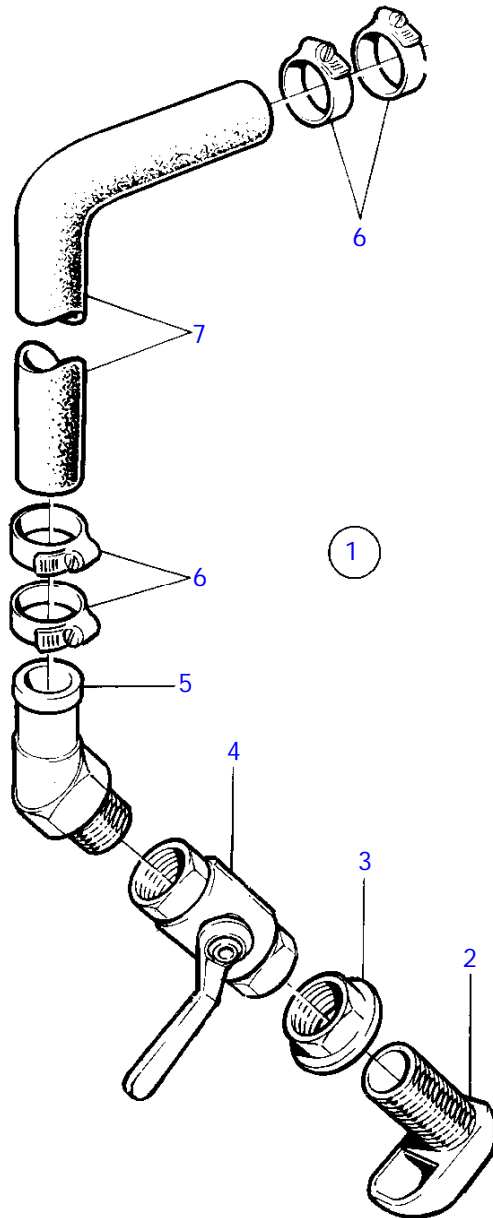


9574

D2-55A, D2-55B, D2-55C, D2-55D, D2-55E, D2-55F

| REF | PART NO. | QTY | DESCRIPTION | NOTES |
|-----|----------|-----|-------------------|--------------|
| 1 | 861496 | 1 | Coolant pipe | 19mm / 0.77" |
| 2 | 836876 | 1 | * Strainer | |
| 3 | 836879 | 1 | * Nut | |
| 4 | 1140125 | 1 | * Ball valve | D=25mm |
| 5 | 861466 | 1 | * Hose attachment | 45° |
| 6 | 961667 | 2 | * Hose clamp | |
| 7 | 952970 | X | Hose | |

D2-55A, D2-55B, D2-55C, D2-55D, D2-55E, D2-55F

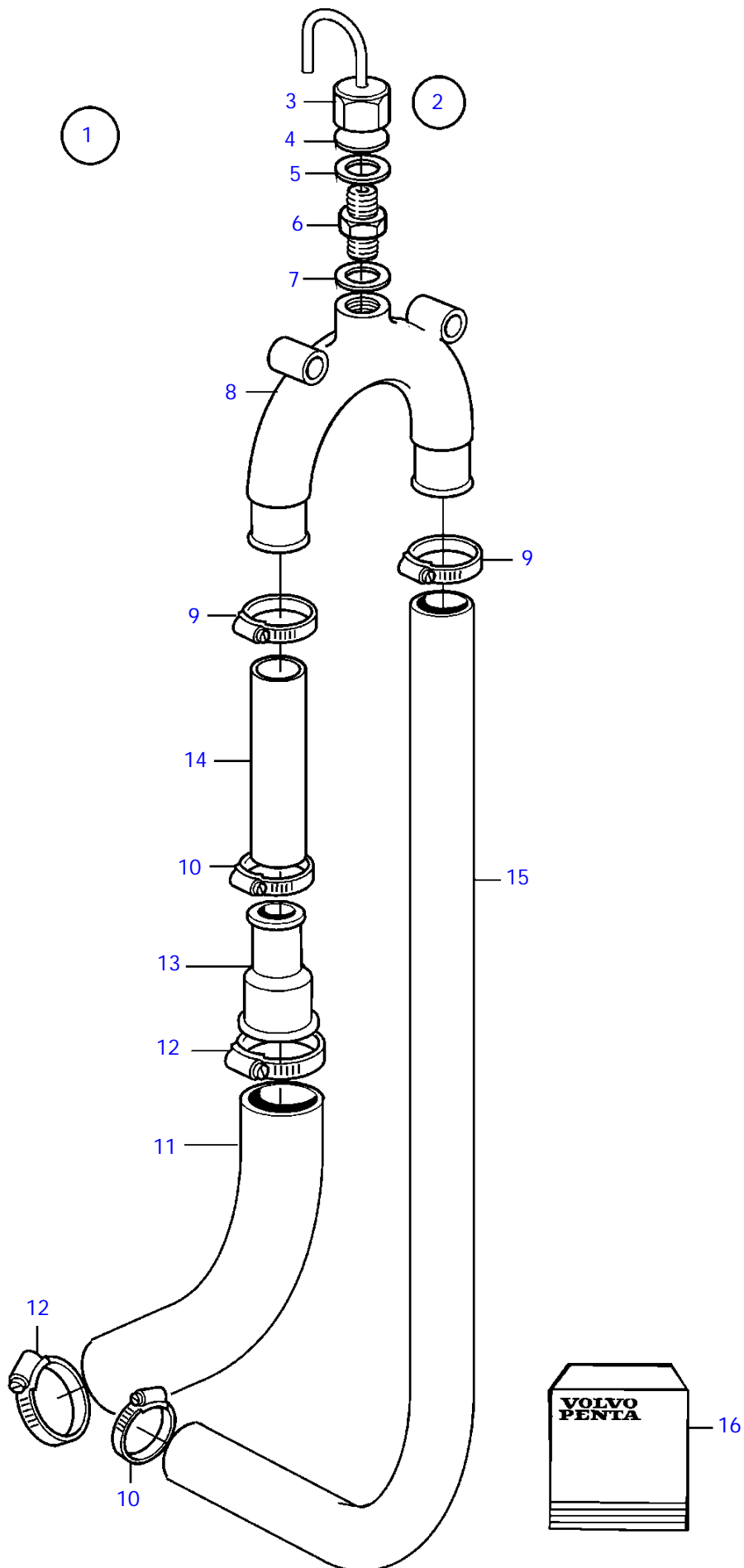


9574

D2-55A, D2-55B, D2-55C, D2-55D, D2-55E, D2-55F

| REF | PART NO. | QTY | DESCRIPTION | NOTES |
|-----|----------|-----|---------------------|--------|
| 1 | 1140129 | 1 | Cooling water inlet | |
| 2 | 836876 | 1 | • Strainer | |
| 3 | 836879 | 1 | • Nut | |
| 4 | 1140125 | 1 | • Ball valve | D=25mm |
| 5 | 828696 | 1 | • Hose attachment | 45° |
| 6 | 961670 | 2 | • Hose clamp | |
| 7 | 1140664 | X | Exhaust hose | |

D2-55A, D2-55B

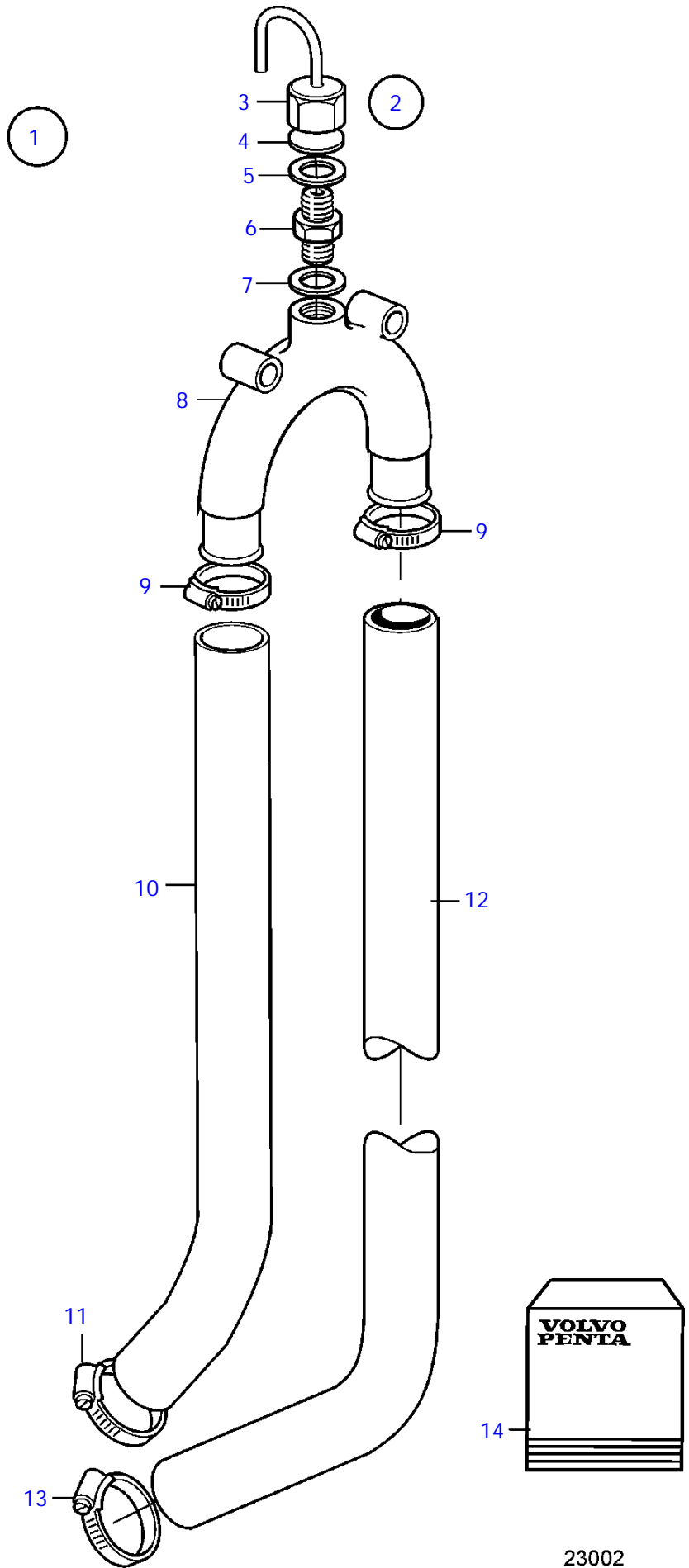


18975

D2-55A, D2-55B

| REF | PART NO. | QTY | DESCRIPTION | NOTES |
|-----|----------|-----|-------------------|---|
| 1 | 3583738 | 1 | Vacuum valve | |
| 2 | 828534 | 1 | • Vacuum valve | |
| 3 | 828533 | 1 | • • Upper section | |
| 4 | | 2 | • • Diaphragm | Included in overhaul kit. |
| 5 | 828424 | 2 | • • Gasket | Included in overhaul kit. |
| 6 | 828266 | 1 | • • Lower section | |
| 7 | 947282 | 2 | • • Gasket | Included in overhaul kit. |
| 8 | 828501 | 1 | • Branch pipe | |
| 9 | 853548 | 2 | • Hose clamp | |
| 10 | 853548 | 2 | Hose clamp | Not included in vacuum valve kit. Use existing hose clamps from engine. |
| 11 | 941799 | X | Hose | L=300mm |
| 12 | 961669 | 2 | Hose clamp | |
| 13 | 859987 | 1 | Tube | |
| 14 | | 1 | Hose | Not included in vacuum valve kit. Use existing hose from engine. |
| 15 | | 1 | Hose | Not included in vacuum valve kit. Use existing hose from engine. |
| 16 | 3818424 | 1 | Repair kit | (875738) |

D2-55C, D2-55D, D2-55E, D2-55F

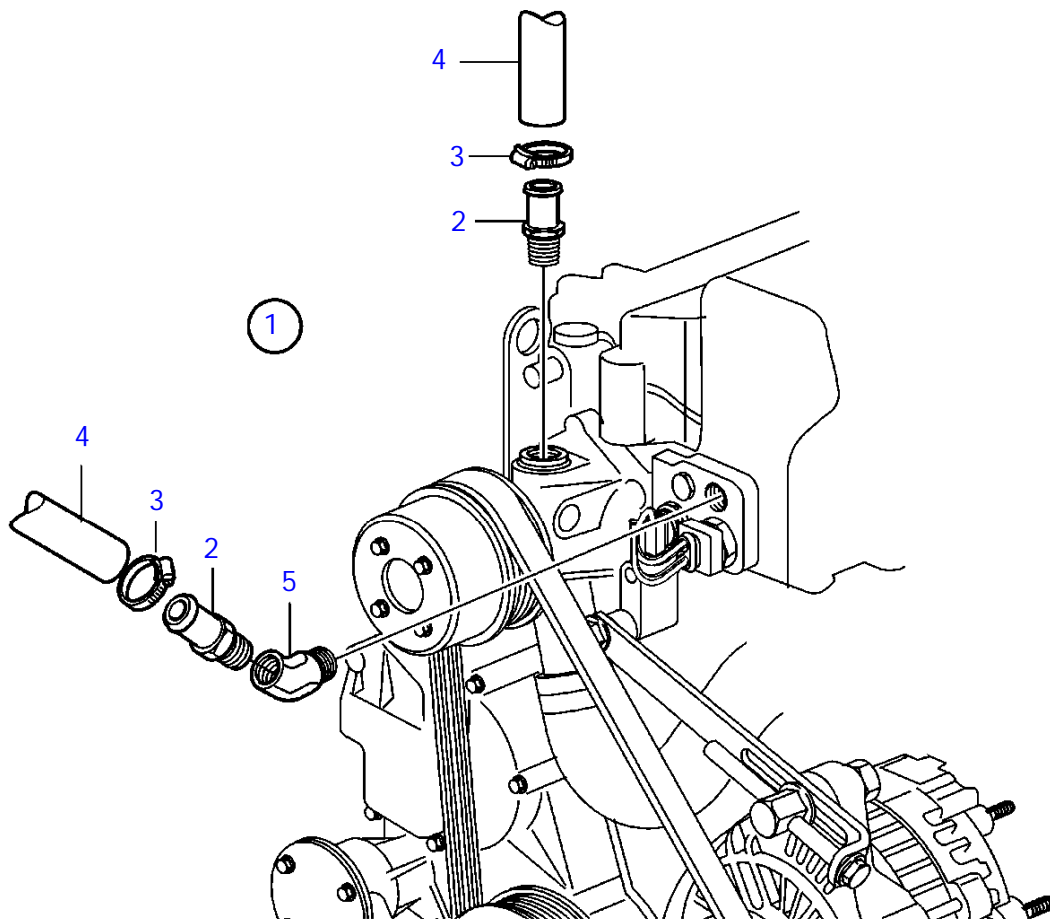


23002

D2-55C, D2-55D, D2-55E, D2-55F

| REF | PART NO. | QTY | DESCRIPTION | NOTES |
|-----|----------|-----|-------------------|---|
| 1 | 3843297 | 1 | Vacuum valve kit | |
| 2 | 828534 | 1 | • Vacuum valve | |
| 3 | 828533 | 1 | • • Upper section | |
| 4 | | 2 | • • Diaphragm | Included in overhaul kit. |
| 5 | 828424 | 2 | • • Gasket | Included in overhaul kit. |
| 6 | 828266 | 1 | • • Lower section | |
| 7 | 947282 | 2 | • • Gasket | Included in overhaul kit. |
| 8 | 828501 | 1 | • Branch pipe | |
| 9 | 853548 | 2 | • Hose clamp | |
| 10 | | 1 | Hose | Not included in vacuum valve kit. Use existing hose from engine. |
| 11 | | 1 | Hose clamp | Not included in vacuum valve kit. Use existing hose clamps from engine. |
| 12 | | 1 | Hose | Not included in vacuum valve kit. Use existing hose from engine. |
| 13 | | 1 | Hose clamp | Not included in vacuum valve kit. Use existing hose clamps from engine. |
| 14 | 3818424 | 1 | Repair kit | |

D2-55A, D2-55B

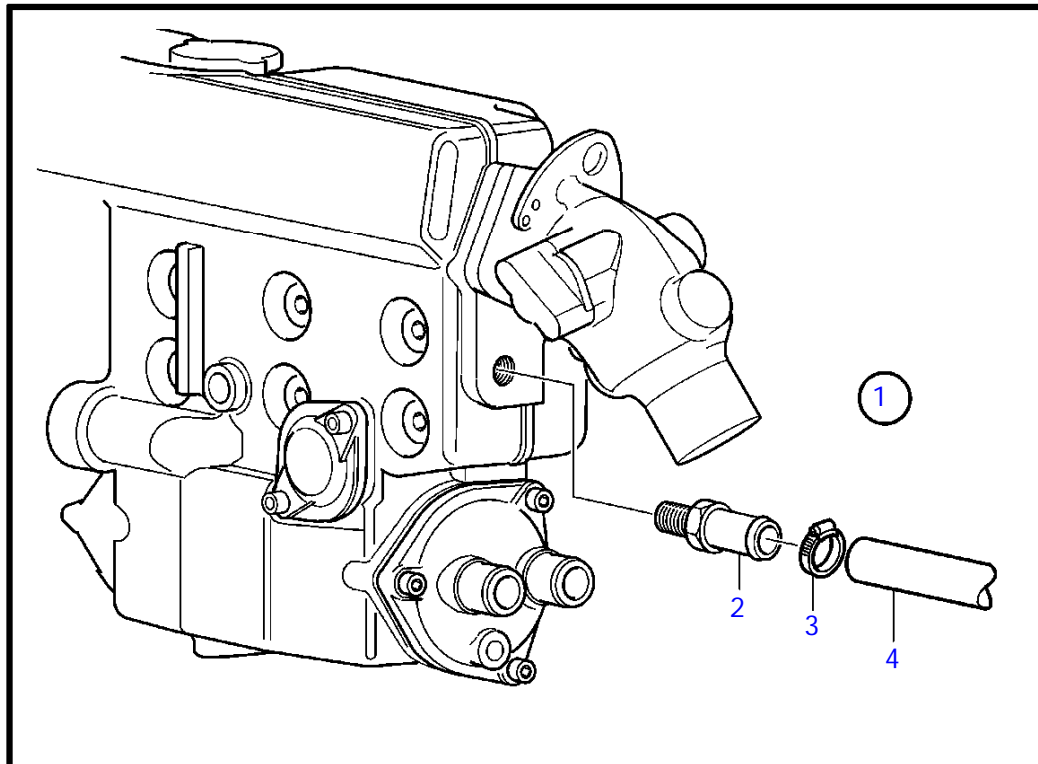
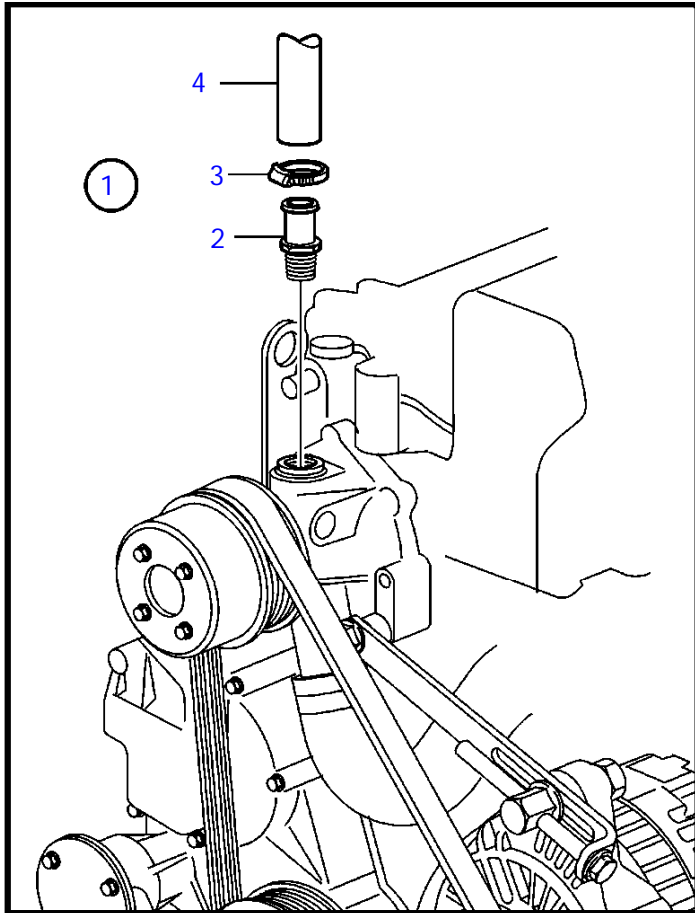


23274

D2-55A, D2-55B

| REF | PART NO. | QTY | DESCRIPTION | SEE SEC. | NOTES |
|-----|----------|-----|------------------|----------|--|
| 1 | 861523 | 1 | Nipple kit | | |
| | | | • Bulletin 43-21 | 43-21-EN | New Hot Water Outlet for MD2010C and MD2020C |
| 2 | 976040 | 2 | • Hose nipple | | |
| 3 | 961665 | 4 | • Hose clamp | | |
| 4 | 952969 | X | Hose | | |
| 5 | 981883 | 1 | Elbow nipple | | |

D2-55C, D2-55D, D2-55E, D2-55F

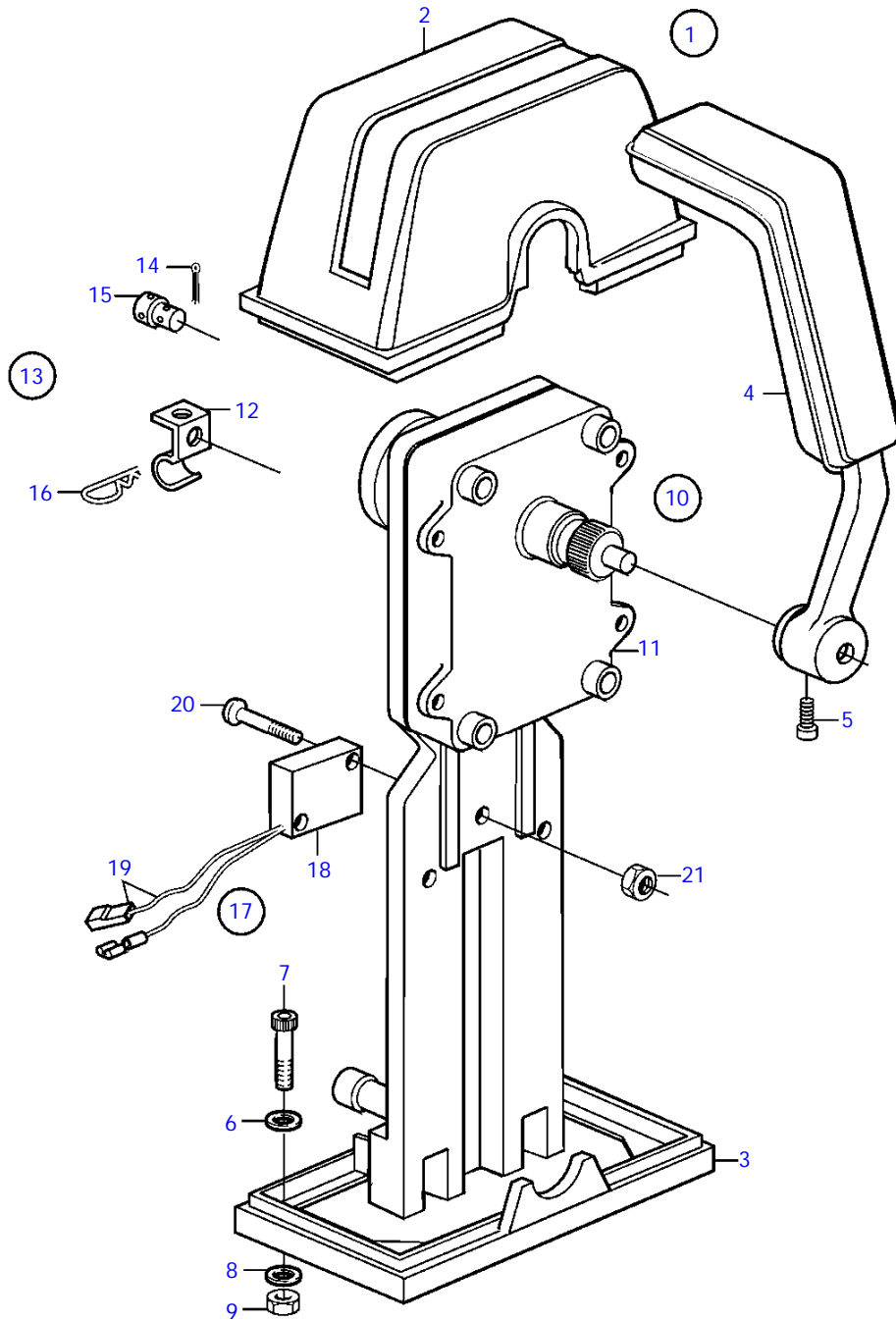


23275

D2-55C, D2-55D, D2-55E, D2-55F

| REF | PART NO. | QTY | DESCRIPTION | SEE SEC. | NOTES |
|-----|----------|-----|------------------|----------|--|
| 1 | 861523 | 1 | Nipple kit | | |
| | | | • Bulletin 43-21 | 43-21-EN | New Hot Water Outlet for MD2010C and MD2020C |
| 2 | 976040 | 2 | • Hose nipple | | |
| 3 | 961665 | 4 | • Hose clamp | | |
| 4 | 952969 | X | Hose | | |

D2-55A, D2-55B, D2-55C, D2-55D, D2-55E, D2-55F

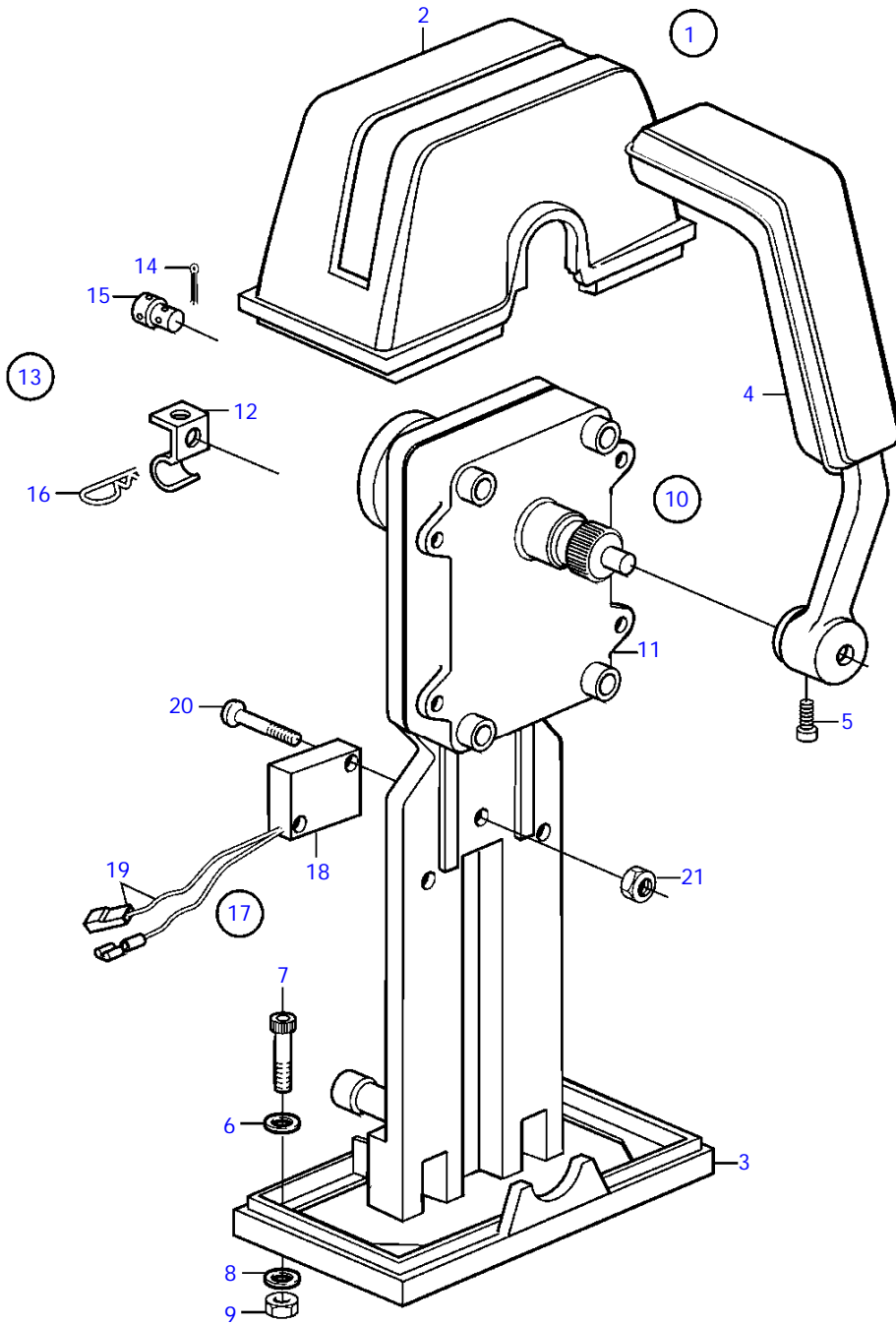


18507

D2-55A, D2-55B, D2-55C, D2-55D, D2-55E, D2-55F

| REF | PART NO. | QTY | DESCRIPTION | SEE SEC. | NOTES |
|-----|----------|-----|--------------------------|----------|---------------|
| 1 | 851602 | 1 | Mounting kit | | |
| 2 | 850823 | 1 | * Cover | | (839472) |
| 3 | 839474 | 1 | * Plate | | |
| 4 | 839475 | 1 | * Hand lever | | |
| 5 | 839693 | 1 | * Lock screw | | |
| 6 | 940090 | 2 | * Washer | | |
| 7 | 947671 | 4 | * Hex. socket screw | | |
| 8 | 960138 | 4 | * Washer | | |
| 9 | 955780 | 4 | * Hexagon nut | | |
| 10 | 851600 | 1 | Control | | |
| 11 | (851666) | 1 | * Control mechanism | | Obsolete part |
| 12 | 853423 | 1 | * Retainer | | |
| 13 | (851712) | 1 | * Connector kit | | Obsolete part |
| 14 | 17253 | 2 | * * Split pin | | |
| 15 | 839638 | 2 | * * Cube | | |
| 16 | 852924 | 1 | * * Clip | | |
| 17 | 855352 | 1 | Neutral position con | | |
| 18 | 850200 | 1 | * Toggle switch | | |
| 19 | | X | * * cables and terminals | 1963 | |
| 20 | 946177 | 2 | * Cross recessed screw | | |
| 21 | 947536 | 2 | * Hexagon nut | | |

D2-55A, D2-55B, D2-55C, D2-55D, D2-55E, D2-55F

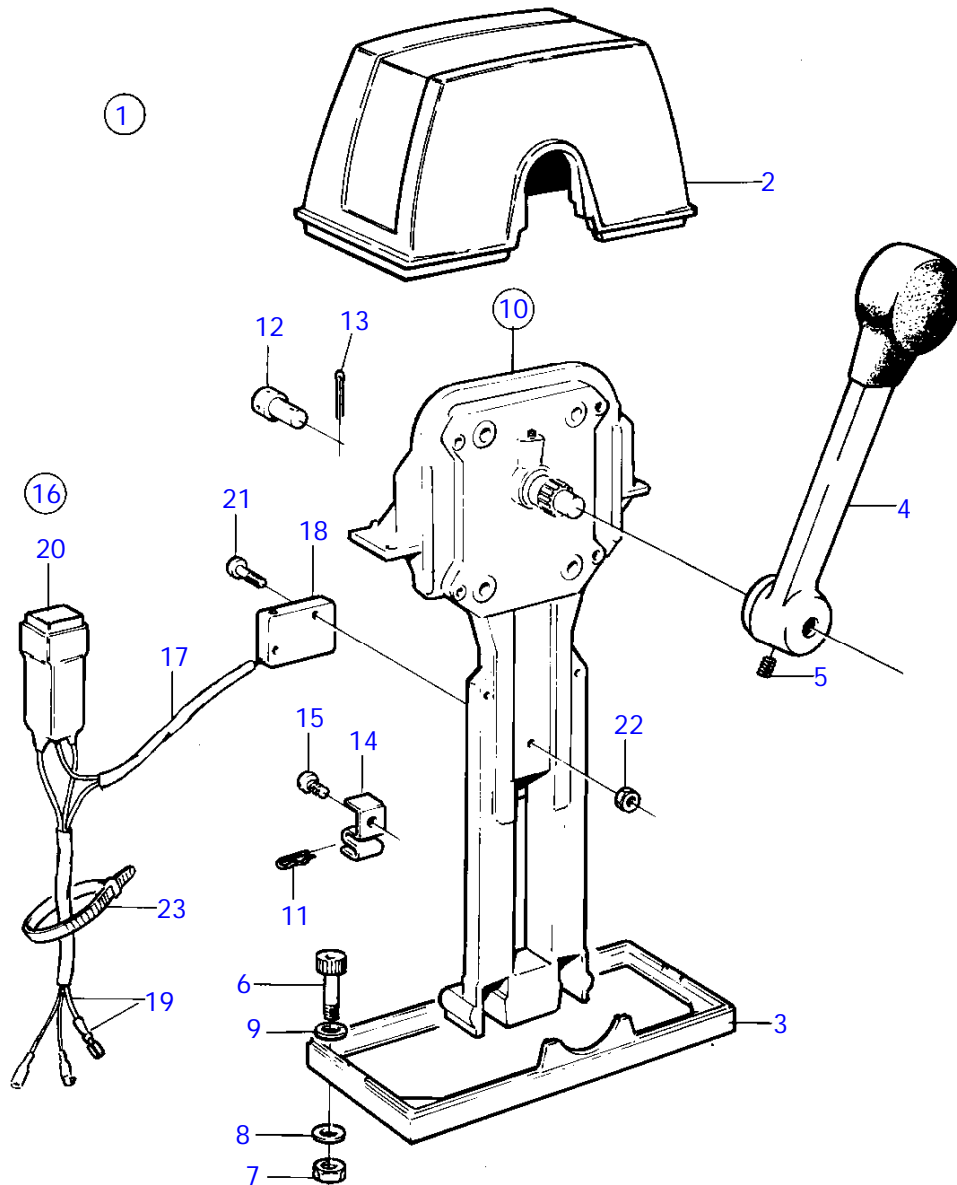


18507

D2-55A, D2-55B, D2-55C, D2-55D, D2-55E, D2-55F

| REF | PART NO. | QTY | DESCRIPTION | SEE SEC. | NOTES |
|-----|----------|-----|--------------------------|----------|---------------|
| 1 | 851603 | 1 | Mounting kit | | |
| 2 | 850824 | 1 | * Cover | | (839477) |
| 3 | 839479 | 1 | * Plate | | |
| 4 | 839475 | 2 | * Hand lever | | |
| 5 | 839693 | 2 | * Lock screw | | |
| 6 | 940090 | 2 | * Washer | | |
| 7 | 947671 | 6 | * Hex. socket screw | | |
| 8 | 960138 | 6 | * Washer | | |
| 9 | 955780 | 6 | * Hexagon nut | | |
| 10 | 851600 | 2 | Control | | |
| 11 | (851666) | 2 | * Control mechanism | | Obsolete part |
| 12 | 853423 | 2 | * Retainer | | |
| 13 | (851712) | 2 | * Connector kit | | Obsolete part |
| 14 | 17253 | 4 | * * Split pin | | |
| 15 | 839638 | 4 | * * Cube | | |
| 16 | 852924 | 2 | * * Clip | | |
| 17 | 855352 | 2 | Neutral position con | | |
| 18 | 850200 | 2 | * Toggle switch | | |
| 19 | | X | * * cables and terminals | 1963 | |
| 20 | 946177 | 4 | * Cross recessed screw | | |
| 21 | 947536 | 4 | * Hexagon nut | | |

D2-55A, D2-55B, D2-55C, D2-55D, D2-55E, D2-55F

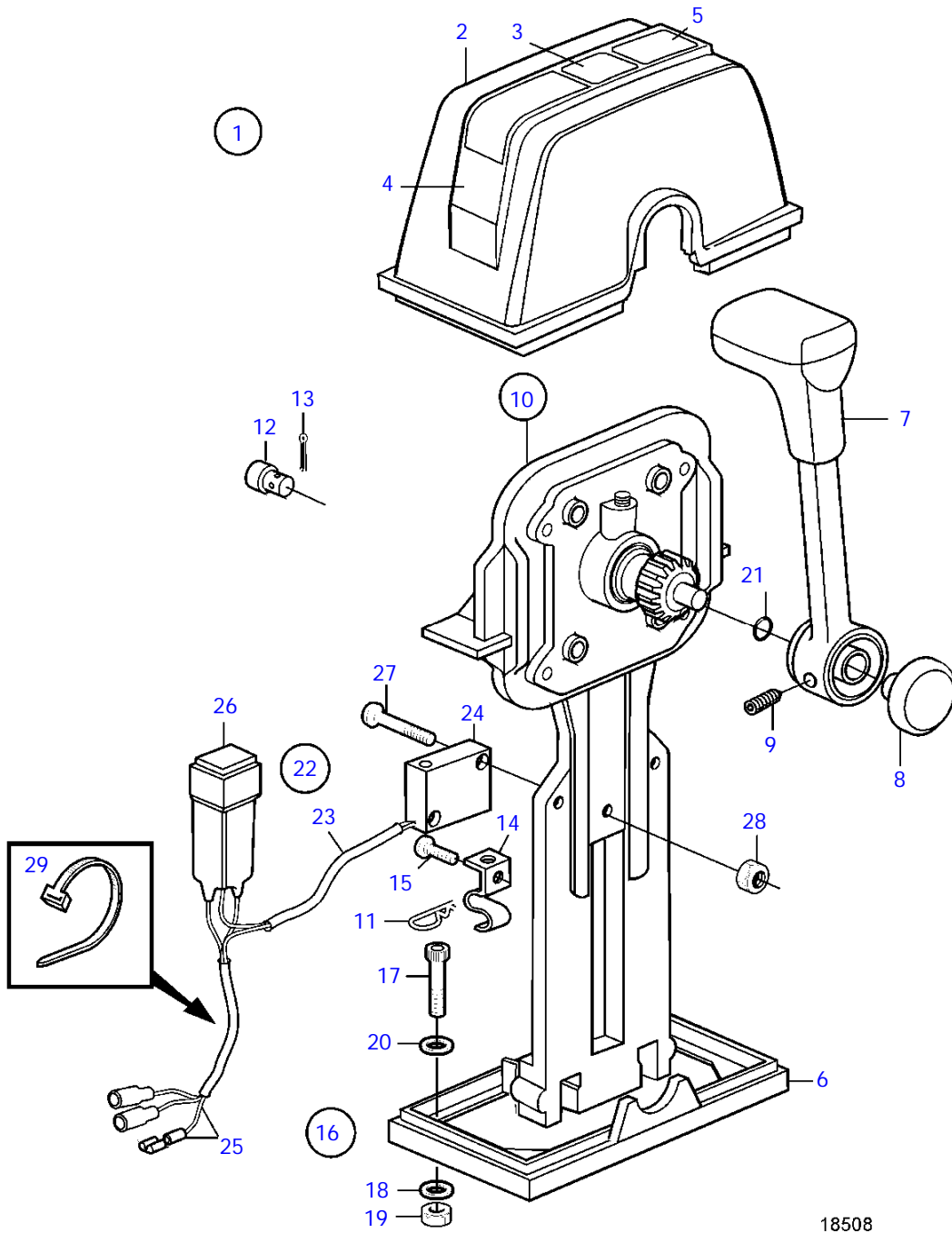


8862

D2-55A, D2-55B, D2-55C, D2-55D, D2-55E, D2-55F

| REF | PART NO. | QTY | DESCRIPTION | SEE SEC. | NOTES |
|-----|----------|-----|--------------------------|----------|---------------|
| 1 | 1140022 | 1 | Mounting kit | | |
| 2 | 850823 | 1 | * Cover | | |
| 3 | 839474 | 1 | * Plate | | |
| 4 | 839521 | 1 | * Hand lever | | |
| 5 | 839693 | 1 | * Lock screw | | |
| 6 | 947671 | 4 | * Hex. socket screw | | |
| 7 | 955780 | 4 | * Hexagon nut | | |
| 8 | 960138 | 4 | * Washer | | |
| 9 | 940090 | 2 | * Washer | | |
| 10 | 851600 | 1 | Control | | |
| 11 | 852924 | 1 | * Clip | | |
| 12 | 839638 | 2 | * Cube | | |
| 13 | 17253 | 2 | * Split pin | | |
| 14 | 853423 | 1 | * Retainer | | |
| 15 | 839664 | 1 | * Screw | | |
| 16 | 855352 | 1 | Neutral position con | | |
| 17 | (839619) | 1 | * Cable kit | | Obsolete part |
| 18 | 850200 | 1 | * • Toggle switch | | |
| 19 | | X | * • cables and terminals | 1963 | |
| 20 | 876037 | 1 | * Relay kit | | |
| 21 | 946177 | 2 | * Cross recessed screw | | |
| 22 | 947536 | 2 | * Hexagon nut | | |
| 23 | 948211 | X | * Cable tie | | |

D2-55A, D2-55B, D2-55C, D2-55D, D2-55E, D2-55F

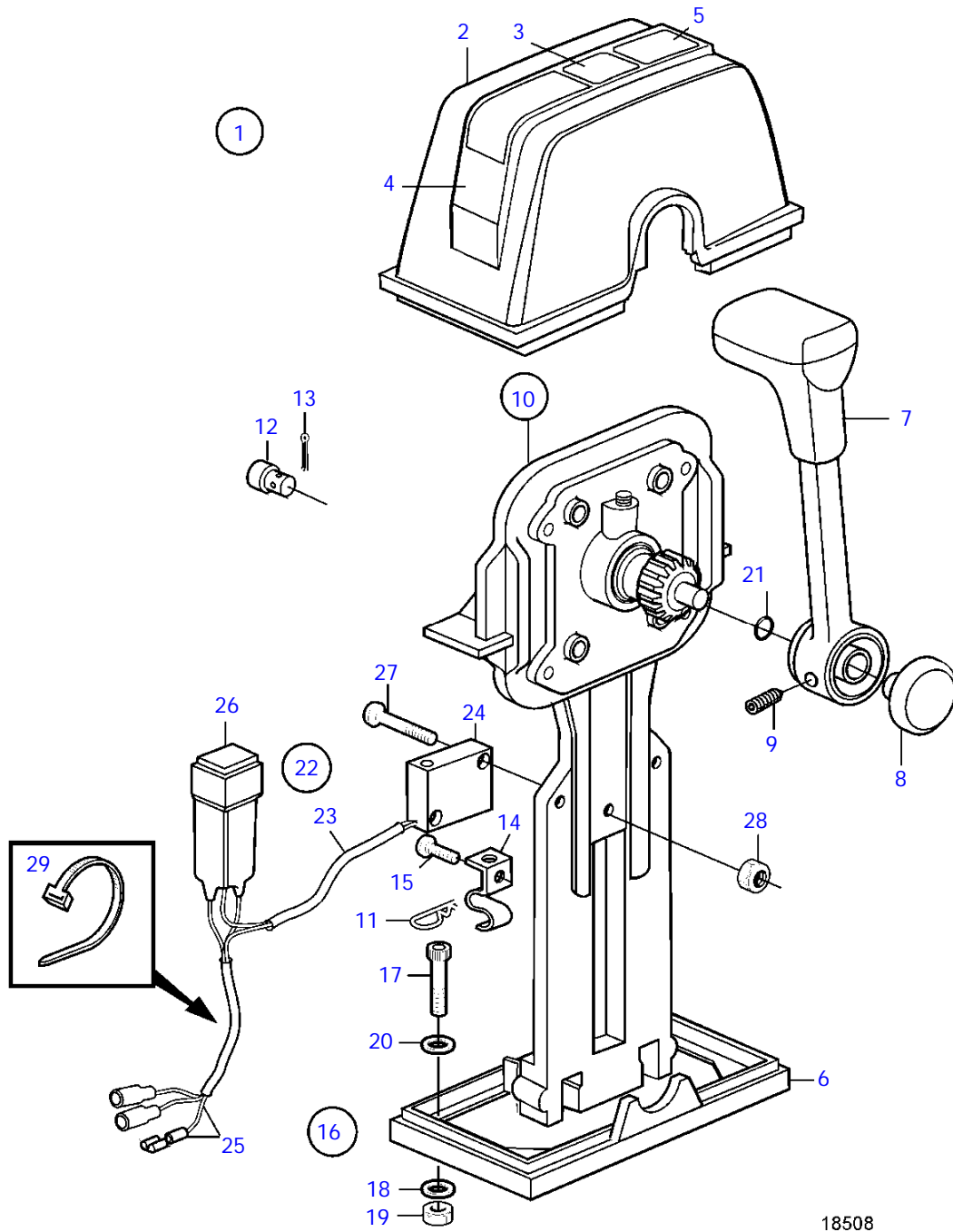


18508

D2-55A, D2-55B, D2-55C, D2-55D, D2-55E, D2-55F

| REF | PART NO. | QTY | DESCRIPTION | SEE SEC. | NOTES |
|-----|----------|-----|--------------------------|----------|------------------------------|
| 1 | 853168 | 1 | Mounting kit | | For single installation. |
| 2 | 1140046 | 1 | * Cover | | |
| 3 | 851896 | 2 | * * Decal | | |
| 4 | (851892) | 1 | * * Crossbar | | Obsolete part |
| 5 | | 1 | * * Decal | | |
| 6 | 839474 | 1 | * * Plate | | |
| 7 | 852347 | 1 | * Hand lever | | |
| | | | * * | | |
| | | | * | 266 | |
| 8 | | 1 | * * Push button | | Included in complete handle. |
| 9 | | 1 | * * Screw | | Included in complete handle. |
| 10 | 851600 | 1 | Control | | |
| 11 | 852924 | 1 | * Clip | | |
| 12 | 839638 | 1 | * Cube | | |
| 13 | 17253 | 1 | * Split pin | | |
| 14 | 853423 | 1 | * Retainer | | |
| 15 | 839664 | 1 | * Screw | | |
| 16 | | 1 | * Screw kit | | |
| 17 | 947671 | 4 | * * Hex. socket screw | | |
| 18 | 960138 | 4 | * * Washer | | |
| 19 | 955780 | 4 | * * Hexagon nut | | |
| 20 | 940090 | 4 | * * Washer | | |
| 21 | 925058 | 1 | * O-ring | | |
| 22 | 855352 | 1 | Neutral position con | | |
| 23 | (839619) | 1 | * Cable kit | | Obsolete part |
| 24 | 850200 | 1 | * * Toggle switch | | |
| 25 | | X | * * cables and terminals | 1963 | |
| 26 | 876037 | 1 | * Relay kit | | |
| 27 | 946177 | 2 | * Cross recessed screw | | |
| 28 | 947536 | 2 | * Hexagon nut | | |
| 29 | 948211 | X | * Cable tie | | |

D2-55A, D2-55B, D2-55C, D2-55D, D2-55E, D2-55F

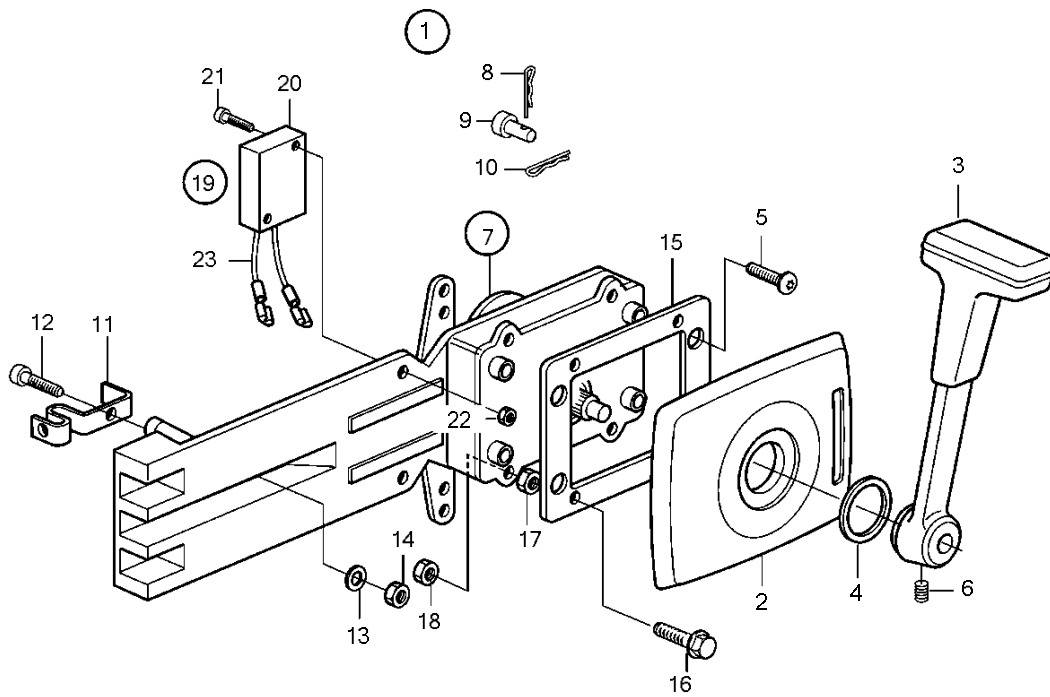


18508

D2-55A, D2-55B, D2-55C, D2-55D, D2-55E, D2-55F

| REF | PART NO. | QTY | DESCRIPTION | SEE SEC. | NOTES |
|-----|----------|-----|--------------------------|----------|------------------------------|
| 1 | 853169 | 1 | Mounting kit | | For twin installation. |
| 2 | 851881 | 1 | * Cover | | |
| 3 | (851895) | 2 | * * Decal | | Obsolete part |
| 4 | | 1 | * * Crossbar | | |
| 5 | 851897 | 1 | * * Decal | | |
| 6 | 839479 | 1 | * * Plate | | |
| 7 | 852347 | 2 | * Hand lever | | |
| | | | * * | | |
| | | | * | 266 | |
| 8 | | 2 | * * Push button | | Included in complete handle. |
| 9 | | 2 | * * Screw | | Included in complete handle. |
| 10 | 851600 | 2 | Control | | |
| 11 | 852924 | 2 | * Clip | | |
| 12 | 839638 | 2 | * Cube | | |
| 13 | 17253 | 2 | * Split pin | | |
| 14 | 853423 | 2 | * Retainer | | |
| 15 | 839664 | 2 | * Screw | | |
| 16 | | 1 | * Screw kit | | |
| 17 | 947671 | 4 | * * Hex. socket screw | | |
| 18 | 960138 | 4 | * * Washer | | |
| 19 | 955780 | 4 | * * Hexagon nut | | |
| 20 | 940090 | 4 | * * Washer | | |
| 21 | 925058 | 2 | * O-ring | | |
| 22 | 855352 | 2 | Neutral position con | | |
| 23 | (839619) | 2 | * Cable kit | | Obsolete part |
| 24 | 850200 | 2 | * * Toggle switch | | |
| 25 | | X | * * cables and terminals | 1963 | |
| 26 | 876037 | 2 | * Relay kit | | |
| 27 | 946177 | 4 | * Cross recessed screw | | |
| 28 | 947536 | 4 | * Hexagon nut | | |
| 29 | 948211 | X | * Cable tie | | |

D2-55A, D2-55B, D2-55C, D2-55D, D2-55E, D2-55F

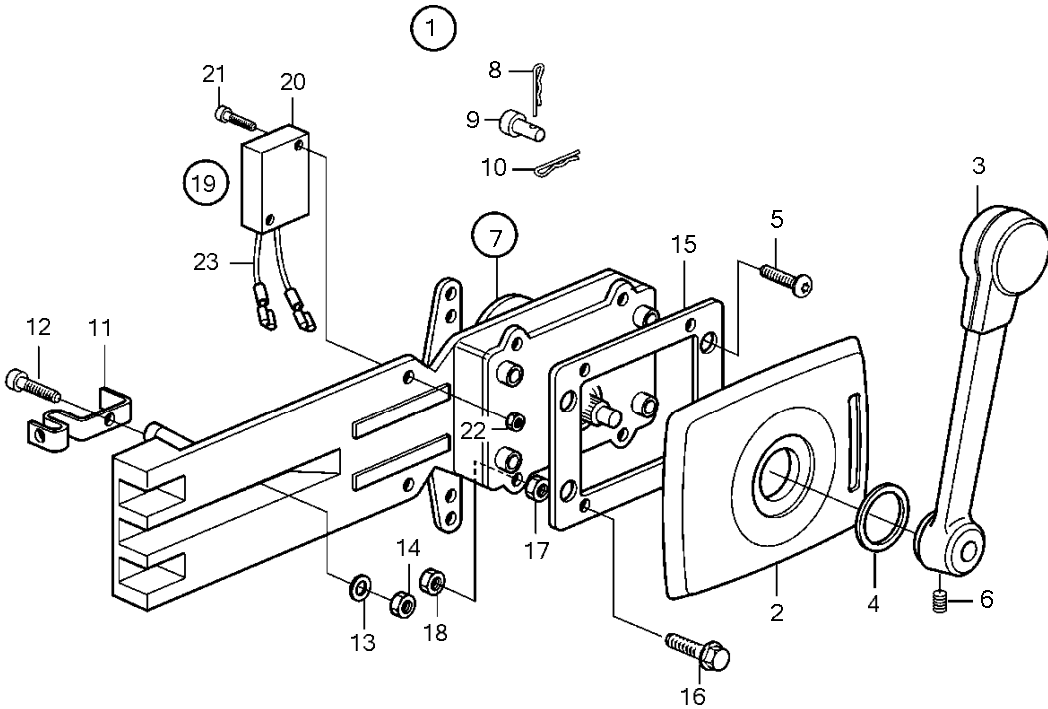


22853

D2-55A, D2-55B, D2-55C, D2-55D, D2-55E, D2-55F

| REF | PART NO. | QTY | DESCRIPTION | SEE SEC. |
|-----|----------|-----|------------------------|----------|
| 1 | 1140092 | 1 | Mounting kit | |
| 2 | 853713 | 1 | * Cover | |
| 3 | 839520 | 1 | * Hand lever | |
| 4 | 1140094 | 1 | * Washer | |
| 5 | 961330 | 4 | * Cross recessed screw | |
| 6 | 839693 | 1 | * Lock screw | |
| 7 | 1140095 | 1 | Control mechanism | |
| 8 | 17253 | 2 | * Split pin | |
| 9 | 839638 | 2 | * Cube | |
| 10 | 852924 | 1 | * Clip | |
| 11 | 853423 | 1 | * Retainer | |
| 12 | 839664 | 1 | * Screw | |
| 13 | 940275 | 1 | * Washer | |
| 14 | 946435 | 1 | * Lock nut | |
| 15 | | 1 | * Attaching plate | |
| 16 | 963548 | 4 | * Hexagon screw | |
| 17 | | 4 | * Nut | |
| 18 | 946435 | 4 | * Lock nut | |
| 19 | 855352 | 1 | Neutral position con | |
| 20 | 850200 | 1 | * Toggle switch | |
| 21 | 946177 | 2 | * Cross recessed screw | |
| 22 | 947536 | 2 | * Hexagon nut | |
| 23 | | X | * cables and terminals | 1963 |

D2-55A, D2-55B, D2-55C, D2-55D, D2-55E, D2-55F

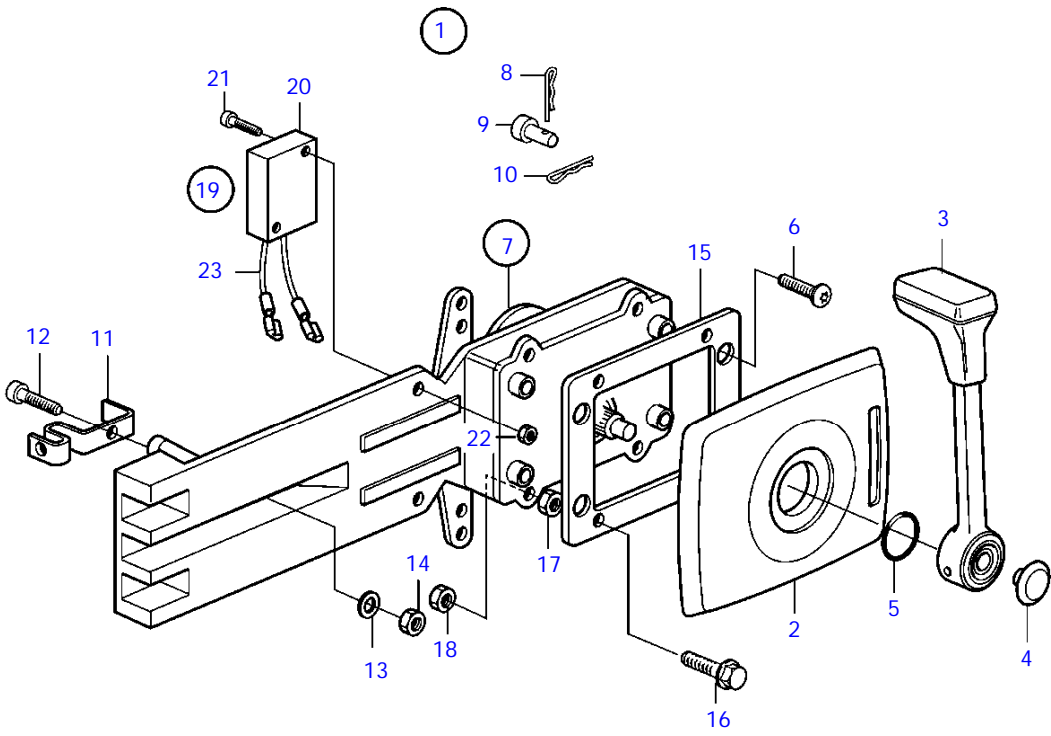


22854

D2-55A, D2-55B, D2-55C, D2-55D, D2-55E, D2-55F

| REF | PART NO. | QTY | DESCRIPTION | SEE SEC. |
|-----|----------|-----|------------------------|----------|
| 1 | 1140093 | 1 | Mounting kit | |
| 2 | 853713 | 1 | * Cover | |
| 3 | 839521 | 1 | * Hand lever | |
| 4 | 1140094 | 1 | * Washer | |
| 5 | 961330 | 4 | * Cross recessed screw | |
| 6 | 839693 | 1 | * Lock screw | |
| 7 | 1140095 | 1 | Control mechanism | |
| 8 | 17253 | 2 | * Split pin | |
| 9 | 839638 | 2 | * Cube | |
| 10 | 852924 | 1 | * Clip | |
| 11 | 853423 | 1 | * Retainer | |
| 12 | 839664 | 1 | * Screw | |
| 13 | 940275 | 1 | * Washer | |
| 14 | 946435 | 1 | * Lock nut | |
| 15 | | 1 | * Attaching plate | |
| 16 | 963548 | 4 | * Hexagon screw | |
| 17 | | 4 | * Nut | |
| 18 | 946435 | 4 | * Lock nut | |
| 19 | 855352 | 1 | Neutral position con | |
| 20 | 850200 | 1 | * Toggle switch | |
| 21 | 946177 | 2 | * Cross recessed screw | |
| 22 | 947536 | 2 | * Hexagon nut | |
| 23 | | X | * cables and terminals | 1963 |

D2-55A, D2-55B, D2-55C, D2-55D, D2-55E, D2-55F

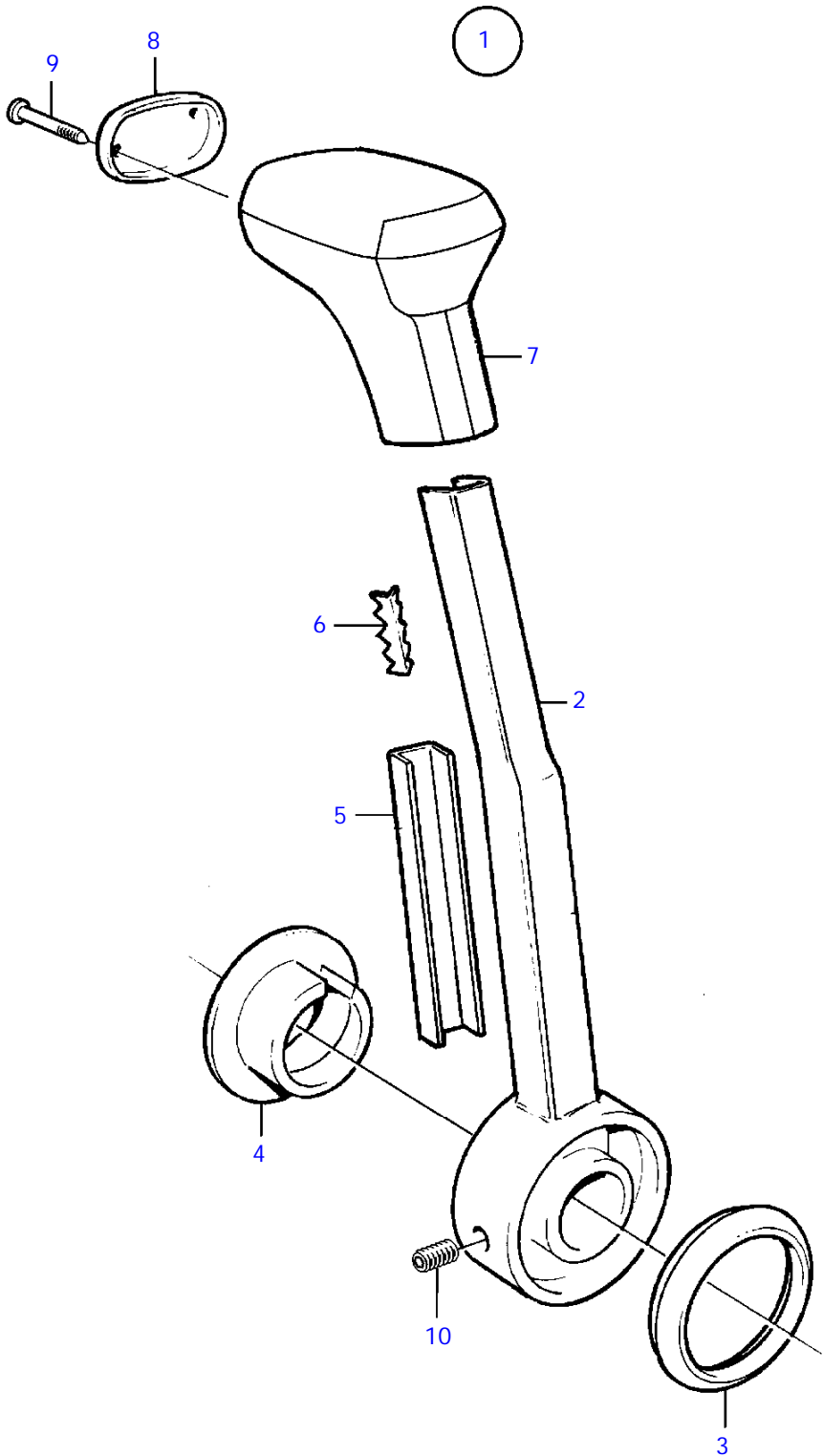


22852

D2-55A, D2-55B, D2-55C, D2-55D, D2-55E, D2-55F

| REF | PART NO. | QTY | DESCRIPTION | SEE SEC. |
|-----|----------|-----|------------------------|----------|
| 1 | 1140090 | 1 | Mounting kit | |
| 2 | 853713 | 1 | * Cover | |
| 3 | 852347 | 1 | * Hand lever | |
| | | | * * | |
| | | | * | 266 |
| 4 | 853004 | 1 | * Push button | |
| 5 | 925058 | 1 | * O-ring | |
| 6 | 961330 | 4 | * Cross recessed screw | |
| 7 | 1140095 | 1 | Control mechanism | |
| 8 | 17253 | 2 | * Split pin | |
| 9 | 839638 | 2 | * Cube | |
| 10 | 852924 | 1 | * Clip | |
| 11 | 853423 | 1 | * Retainer | |
| 12 | 839664 | 1 | * Screw | |
| 13 | 940275 | 1 | * Washer | |
| 14 | 946435 | 1 | * Lock nut | |
| 15 | | 1 | * Attaching plate | |
| 16 | 963548 | 4 | * Hexagon screw | |
| 17 | | 4 | * Nut | |
| 18 | 946435 | 4 | * Lock nut | |
| 19 | 855352 | 1 | Neutral position con | |
| 20 | 850200 | 1 | * Toggle switch | |
| 21 | 946177 | 2 | * Cross recessed screw | |
| 22 | 947536 | 2 | * Hexagon nut | |
| 23 | | X | * cables and terminals | 1963 |

D2-55A, D2-55B, D2-55C, D2-55D, D2-55E, D2-55F

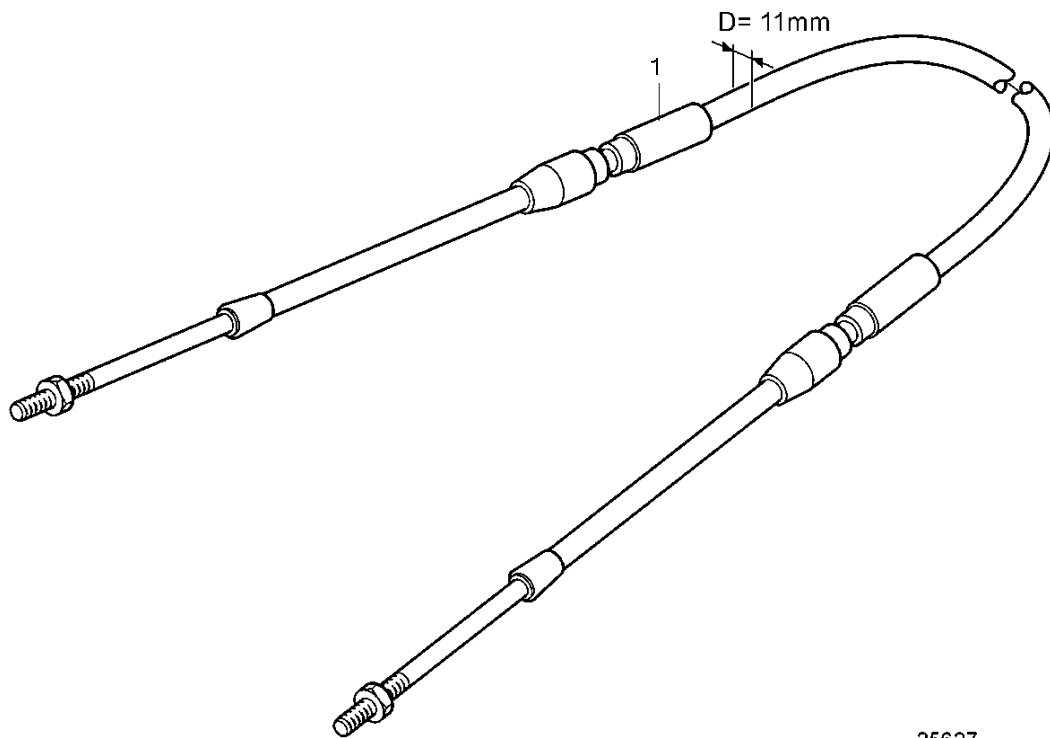


18645

D2-55A, D2-55B, D2-55C, D2-55D, D2-55E, D2-55F

| REF | PART NO. | QTY | DESCRIPTION | NOTES |
|-----|----------|-----|---------------------|----------|
| 1 | 852347 | 1 | Hand lever | |
| 2 | 828911 | 1 | * Hand lever | |
| 3 | 852995 | 1 | * Ring | |
| 4 | 853004 | 1 | * Push button | |
| 5 | 852991 | 1 | * Rail | |
| 6 | 853000 | 1 | * Striker plate | |
| 7 | 852989 | 1 | * Handle | |
| 8 | 3818554 | 1 | * Cardboard tube | (852992) |
| 9 | 853003 | 2 | * Nail | |
| 10 | 963678 | 1 | * Hex. socket screw | |

D2-55A, D2-55B, D2-55C, D2-55D, D2-55E, D2-55F

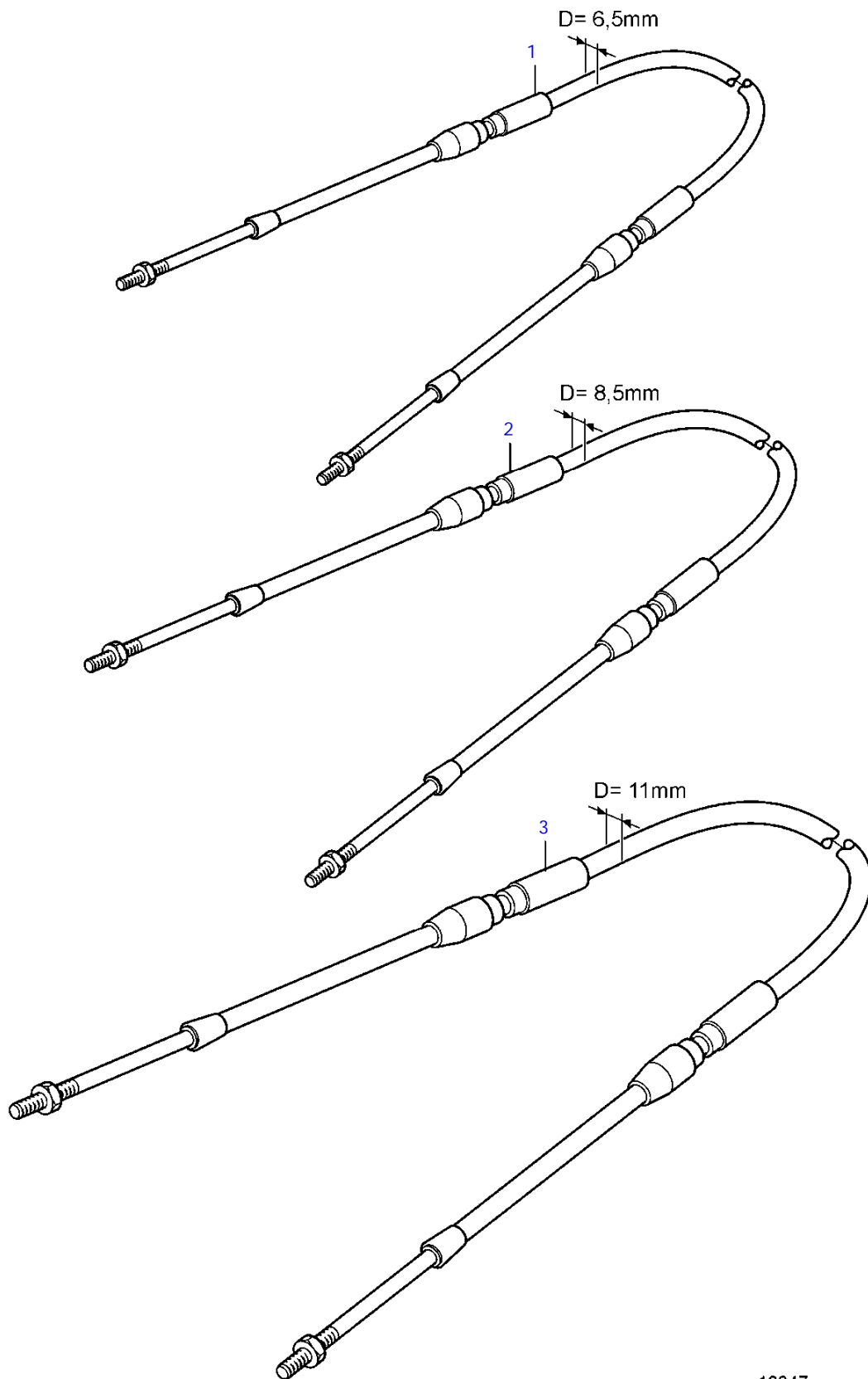


25627

D2-55A, D2-55B, D2-55C, D2-55D, D2-55E, D2-55F

| REF | PART NO. | QTY | DESCRIPTION | NOTES |
|-----|----------|-----|---------------|----------------|
| 1 | 21633515 | 1 | Control cable | 44ft, L=13.40m |
| | 21633516 | 1 | Control cable | 45ft, L=13.70m |
| | 21633517 | 1 | Control cable | 46ft, L=14.00m |
| | 21633518 | 1 | Control cable | 47ft, L=14.30m |
| | 21633519 | 1 | Control cable | 48ft, L=14.60m |
| | 21633520 | 1 | Control cable | 49ft, L=14.90m |
| | 21633521 | 1 | Control cable | 50ft, L=15.20m |

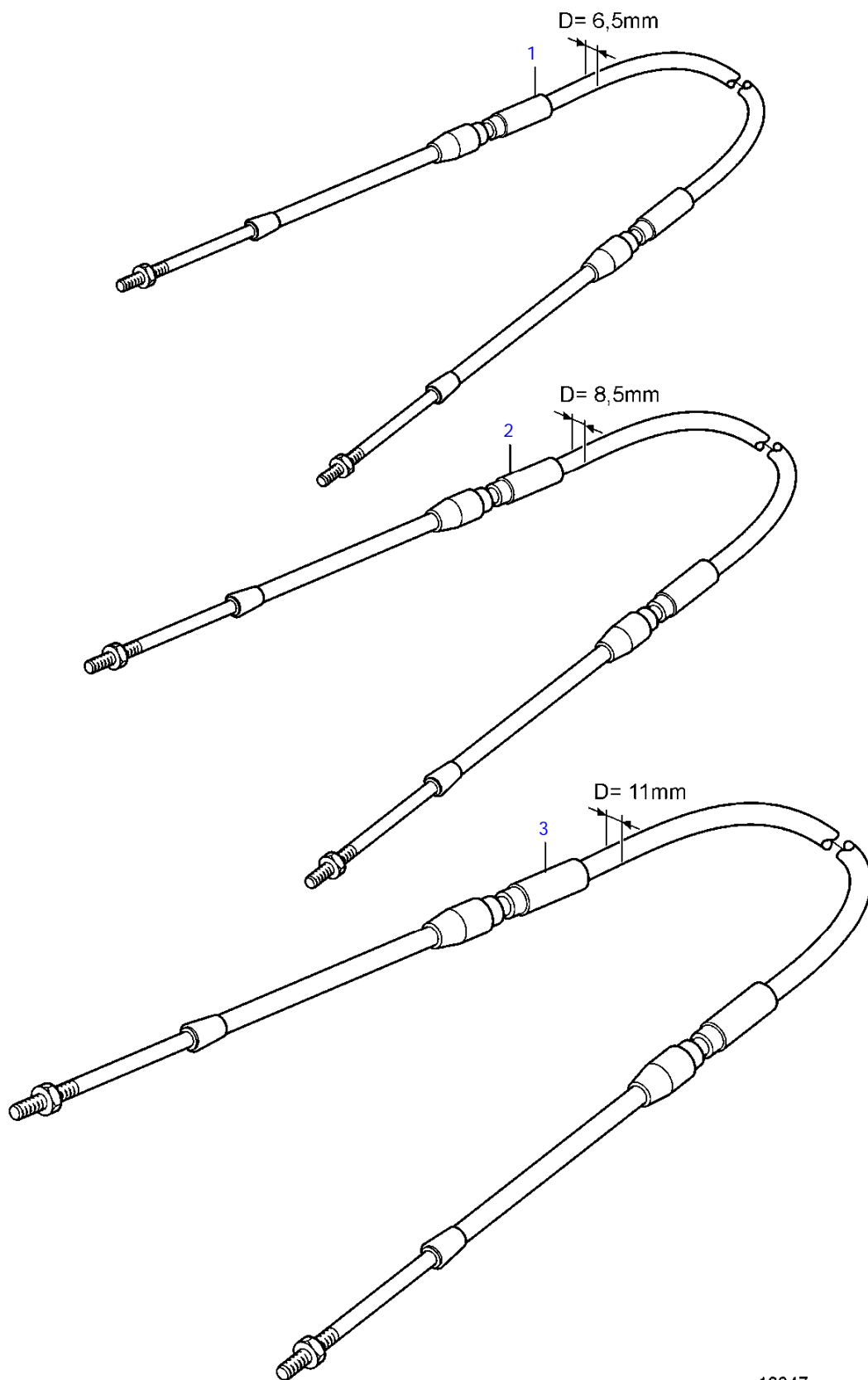
D2-55A, D2-55B, D2-55C, D2-55D, D2-55E, D2-55F



18647

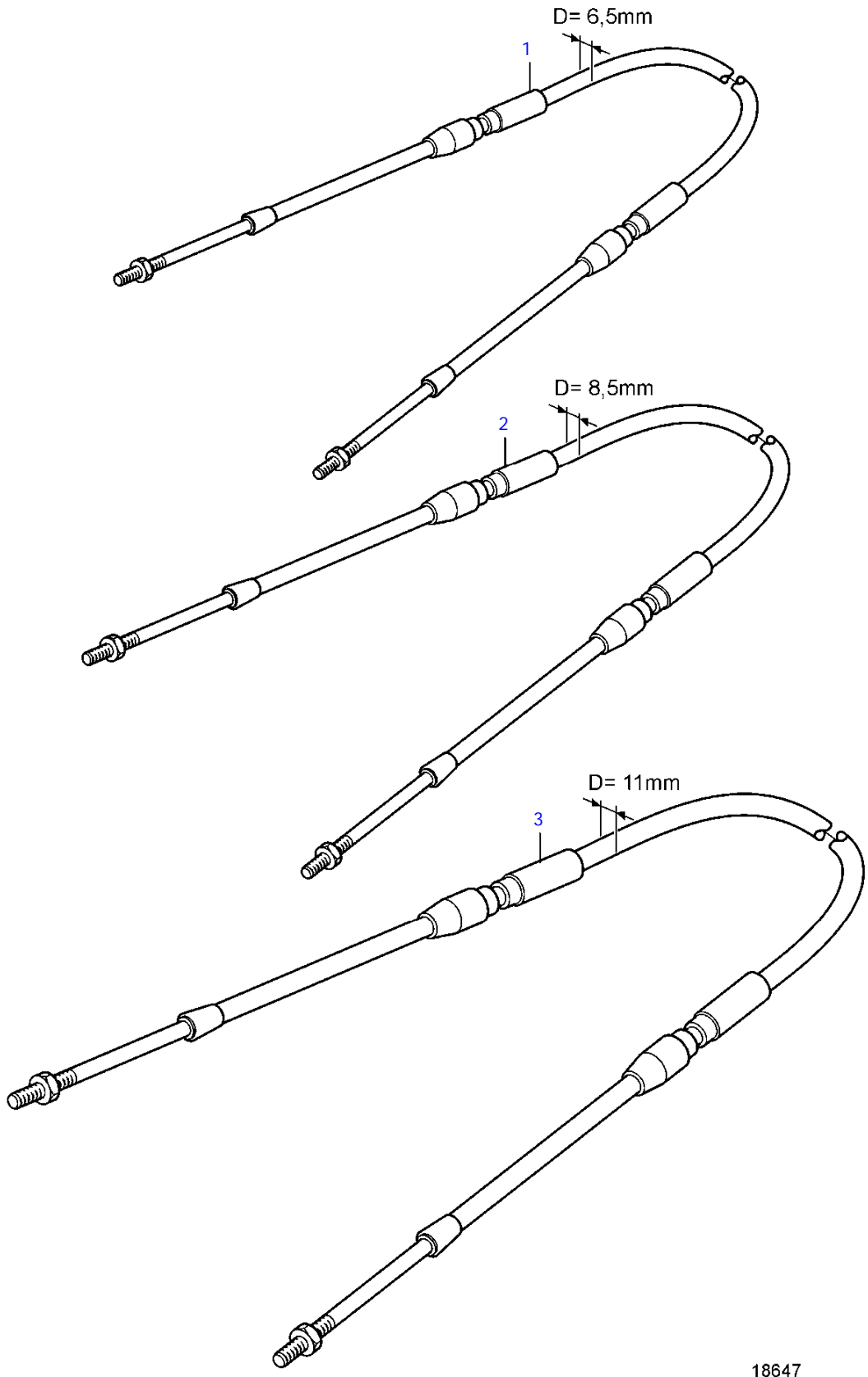
D2-55A, D2-55B, D2-55C, D2-55D, D2-55E, D2-55F

| REF | PART NO. | QTY | DESCRIPTION | NOTES |
|-----|-----------|-----|---------------|-------------------------|
| 1 | 1140131 | 1 | Control cable | L=1250mm |
| | 1140132 | 1 | Control cable | L=1500mm |
| | 1140133 | 1 | Control cable | L=1750mm |
| | (1140134) | 1 | Control cable | Obsolete part, L=2000mm |
| | 1140135 | 1 | Control cable | L=2250mm |
| | (1140136) | 1 | Control cable | Obsolete part, L=2500mm |
| | (1140137) | 1 | Control cable | Obsolete part, L=2750mm |
| | (1140138) | 1 | Control cable | Obsolete part, L=3000mm |
| | 1140139 | 1 | Control cable | L=3250mm |
| | 1140140 | 1 | Control cable | L=3500mm |
| | (1140141) | 1 | Control cable | Obsolete part, L=3750mm |
| | (1140142) | 1 | Control cable | Obsolete part, L=4000mm |
| | (1140143) | 1 | Control cable | Obsolete part, L=4250mm |
| | (1140144) | 1 | Control cable | Obsolete part, L=4500mm |
| | 1140145 | 1 | Control cable | L=4750mm |
| | (1140146) | 1 | Control cable | Obsolete part, L=5000mm |



18647

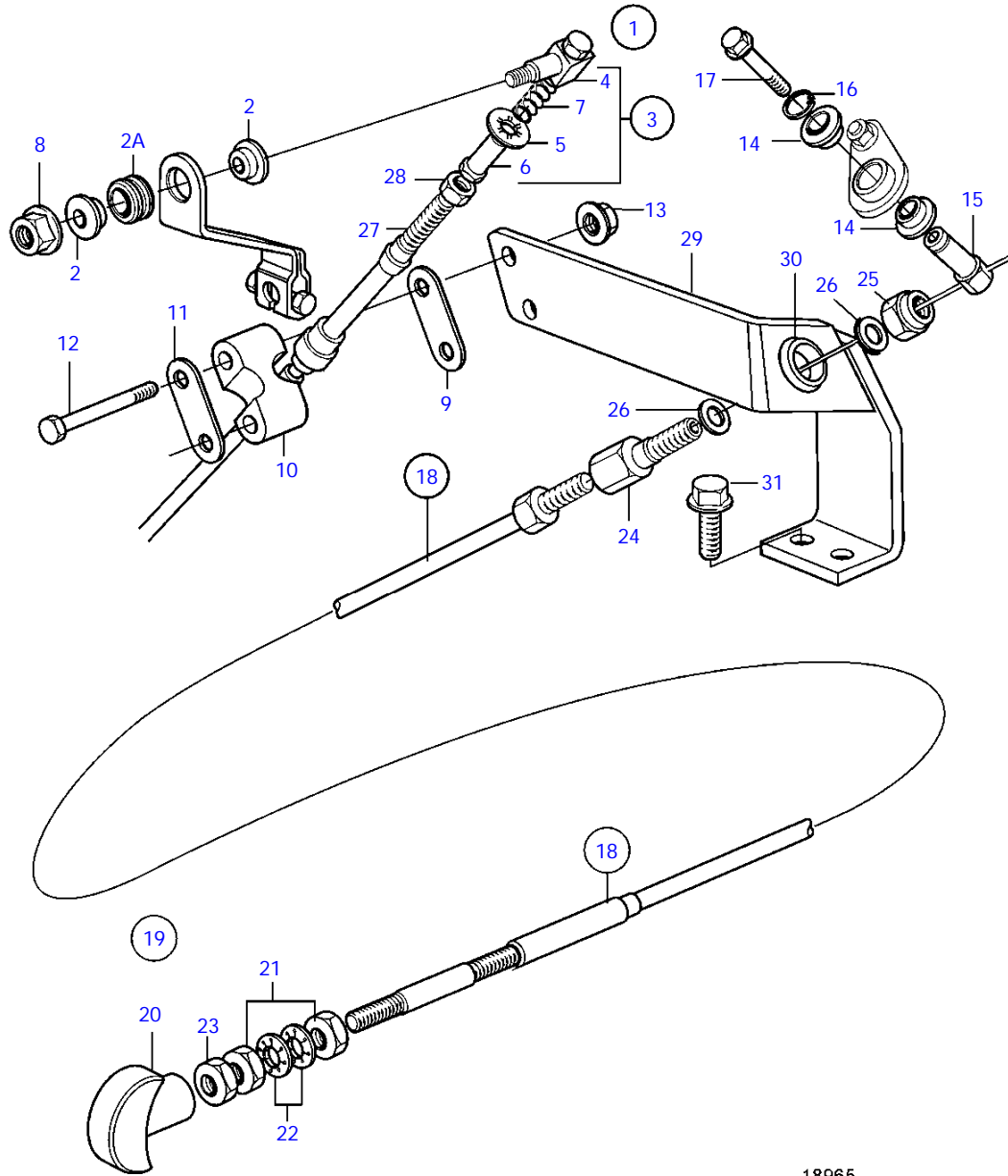
| REF | PART NO. | QTY | DESCRIPTION | NOTES |
|-----|----------|-----|---------------|-----------|
| 2 | 1140171 | 1 | Control cable | L=1000mm |
| | 1140172 | 1 | Control cable | L=1250mm |
| | 1140173 | 1 | Control cable | L=1500mm |
| | 1140174 | 1 | Control cable | L=1750mm |
| | 1140175 | 1 | Control cable | L=2000mm |
| | 1140176 | 1 | Control cable | L=2250mm |
| | 1140177 | 1 | Control cable | L=2500mm |
| | 1140178 | 1 | Control cable | L=2750mm |
| | 1140179 | 1 | Control cable | L=3000mm |
| | 1140180 | 1 | Control cable | L=3250mm |
| | 1140181 | 1 | Control cable | L=3500mm |
| | 1140182 | 1 | Control cable | L=3750mm |
| | 1140183 | 1 | Control cable | L=4000mm |
| | 1140184 | 1 | Control cable | L=4250mm |
| | 1140185 | 1 | Control cable | L=4500mm |
| | 1140186 | 1 | Control cable | L=4750mm |
| | 1140187 | 1 | Control cable | L=5000mm |
| | 1140188 | 1 | Control cable | L=5250mm |
| | 1140189 | 1 | Control cable | L=5500mm |
| | 1140190 | 1 | Control cable | L=5750mm |
| | 1140191 | 1 | Control cable | L=6000mm |
| | 1140192 | 1 | Control cable | L=6250mm |
| | 1140193 | 1 | Control cable | L=6500mm |
| | 1140194 | 1 | Control cable | L=6750mm |
| | 1140195 | 1 | Control cable | L=7000mm |
| | 1140196 | 1 | Control cable | L=7250mm |
| | 1140197 | 1 | Control cable | L=7500mm |
| | 1140198 | 1 | Control cable | L=7750mm |
| | 1140199 | 1 | Control cable | L=8000mm |
| | 888081 | 1 | Control cable | L=8250mm |
| | 1140200 | 1 | Control cable | L=8500mm |
| | 888082 | 1 | Control cable | L=8750mm |
| | 1140201 | 1 | Control cable | L=9000mm |
| | 888083 | 1 | Control cable | L=9250mm |
| | 1140202 | 1 | Control cable | L=9500mm |
| | 888084 | 1 | Control cable | L=9750mm |
| | 1140203 | 1 | Control cable | L=10000mm |
| | 888085 | 1 | Control cable | L=10250mm |
| | 1140204 | 1 | Control cable | L=10500mm |
| | 888086 | 1 | Control cable | L=10750mm |
| | 1140205 | 1 | Control cable | L=11000mm |
| | 888087 | 1 | Control cable | L=11250mm |
| | 1140206 | 1 | Control cable | L=11500mm |
| | 888088 | 1 | Control cable | L=11750mm |
| | 1140207 | 1 | Control cable | L=12000mm |
| | 888089 | 1 | Control cable | L=12250mm |
| | 1140208 | 1 | Control cable | L=12500mm |
| | 888090 | 1 | Control cable | L=12750mm |
| | 1140209 | 1 | Control cable | L=13000mm |



18647

| REF | PART NO. | QTY | DESCRIPTION | NOTES |
|-----|-----------|-----|---------------|--------------------------|
| 3 | (1140101) | 1 | Control cable | Obsolete part, L=2000mm |
| | (1140102) | 1 | Control cable | Obsolete part, L=2500mm |
| | 1140103 | 1 | Control cable | L=3000mm |
| | (1140104) | 1 | Control cable | Obsolete part, L=3500mm |
| | (1140105) | 1 | Control cable | Obsolete part, L=4000mm |
| | 1140106 | 1 | Control cable | L=4500mm |
| | (1140107) | 1 | Control cable | Obsolete part, L=5000mm |
| | (1140108) | 1 | Control cable | Obsolete part, L=5500mm |
| | (1140109) | 1 | Control cable | Obsolete part, L=6000mm |
| | 1140110 | 1 | Control cable | L=6500mm |
| | 1140111 | 1 | Control cable | L=7000mm |
| | (1140112) | 1 | Control cable | Obsolete part, L=7500mm |
| | (1140113) | 1 | Control cable | Obsolete part, L=8000mm |
| | 1140114 | 1 | Control cable | L=8500mm |
| | 1140115 | 1 | Control cable | L=9000mm |
| | (1140116) | 1 | Control cable | Obsolete part, L=9500mm |
| | 1140117 | 1 | Control cable | L=10000mm |
| | 1140118 | 1 | Control cable | L=11000mm |
| | (1140119) | 1 | Control cable | Obsolete part, L=12000mm |
| | (1140120) | 1 | Control cable | Obsolete part, L=13000mm |
| | 1140121 | 1 | Control cable | L=14000mm |
| | (1140122) | 1 | Control cable | Obsolete part, L=15000mm |

D2-55A, D2-55B, D2-55C, D2-55D, D2-55E

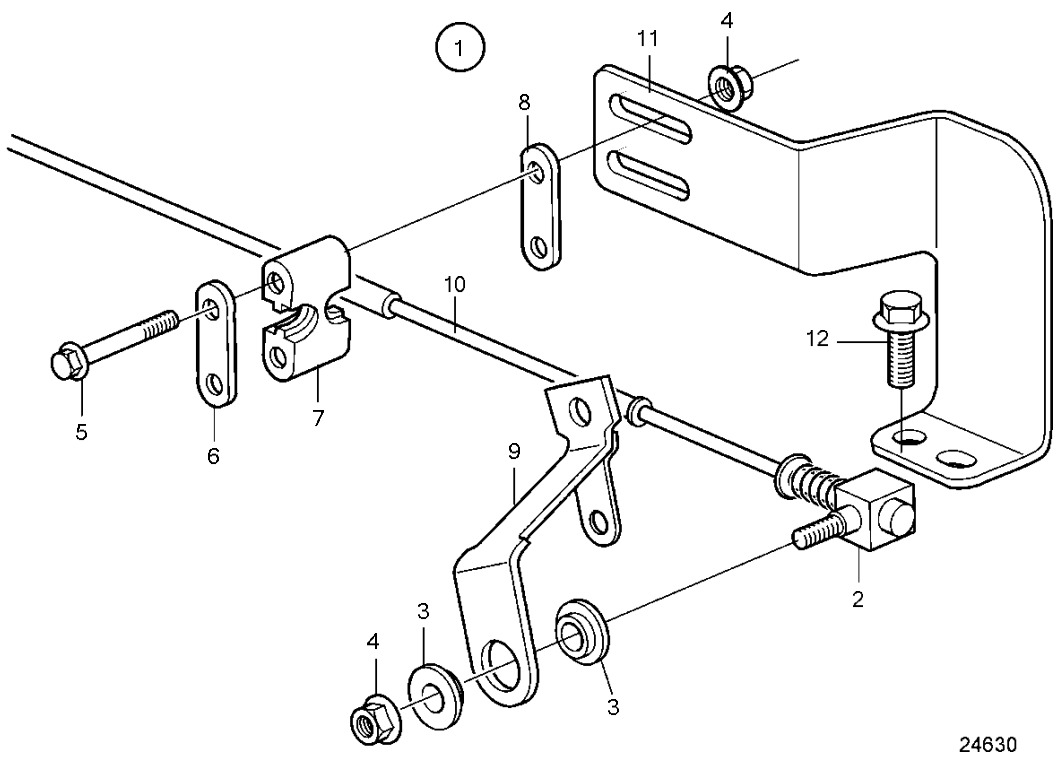


18965

D2-55A, D2-55B, D2-55C, D2-55D, D2-55E

| REF | PART NO. | QTY | DESCRIPTION | SEE SEC. | NOTES |
|-----|----------|-----|------------------------|-------------|---------------------------------|
| 1 | | 1 | Connector kit | | |
| 2 | 843105 | 2 | * Spacer washer | | |
| 2A | 843109 | 1 | * Bushing | | |
| 3 | 840692 | 1 | * Cube | | |
| 4 | 840669 | 1 | * • Cube | | |
| 5 | 968766 | 1 | * • Retainer | | |
| 6 | 814083 | 1 | * • Adjusting nut | | |
| 7 | 814086 | 1 | * • Spring | | |
| 8 | 949874 | 1 | * Flange lock nut | | (946577) |
| 9 | 872076 | 1 | * Washer | | |
| 10 | 872074 | 1 | * Retainer | | |
| 11 | 819068 | 1 | * Washer | | |
| 12 | 969439 | 2 | * 6 point socket screw | | |
| 13 | 949874 | 2 | * Flange lock nut | | (946577) |
| 14 | 843105 | 2 | * Spacer washer | | |
| 15 | 861479 | 1 | * Cable clamp | | |
| 16 | 951669 | 1 | * E-clip | | |
| 17 | 969556 | 1 | * 6 point socket screw | | |
| 18 | 21272376 | 1 | Stop cable | | L=3,3m |
| | | | * Bulletin P-27-6-2 | P-27-6-2-EN | End of Production - Stop Cables |
| 18 | 21272378 | 1 | Stop cable | | L=6,9m |
| | | | * Bulletin P-27-6-2 | P-27-6-2-EN | End of Production - Stop Cables |
| 19 | (818478) | 1 | * Push pull control | | Obsolete part, For L=3,3m |
| | (818470) | 1 | * Push pull control | | Obsolete part, For L=6,9m |
| 20 | (829241) | 1 | * • Handle | | Obsolete part |
| 21 | 955857 | 2 | * • Hexagon nut | | |
| 22 | 955950 | 2 | * • Toothed washer | | |
| 23 | 955844 | 1 | * • Hexagon nut | | |
| 24 | 829070 | 1 | * Cable lock | | |
| 25 | 945467 | 1 | * Lock nut | | (950353) |
| 26 | 955894 | 2 | * Washer | | |
| 27 | | 1 | Control cable | 231 | |
| 28 | | 1 | * Nut | | |
| 29 | 3583791 | 1 | Anchorage | | |
| 30 | 843109 | 1 | Bushing | | |
| 31 | 946173 | 2 | Flange screw | | (861849) |

D2-55F

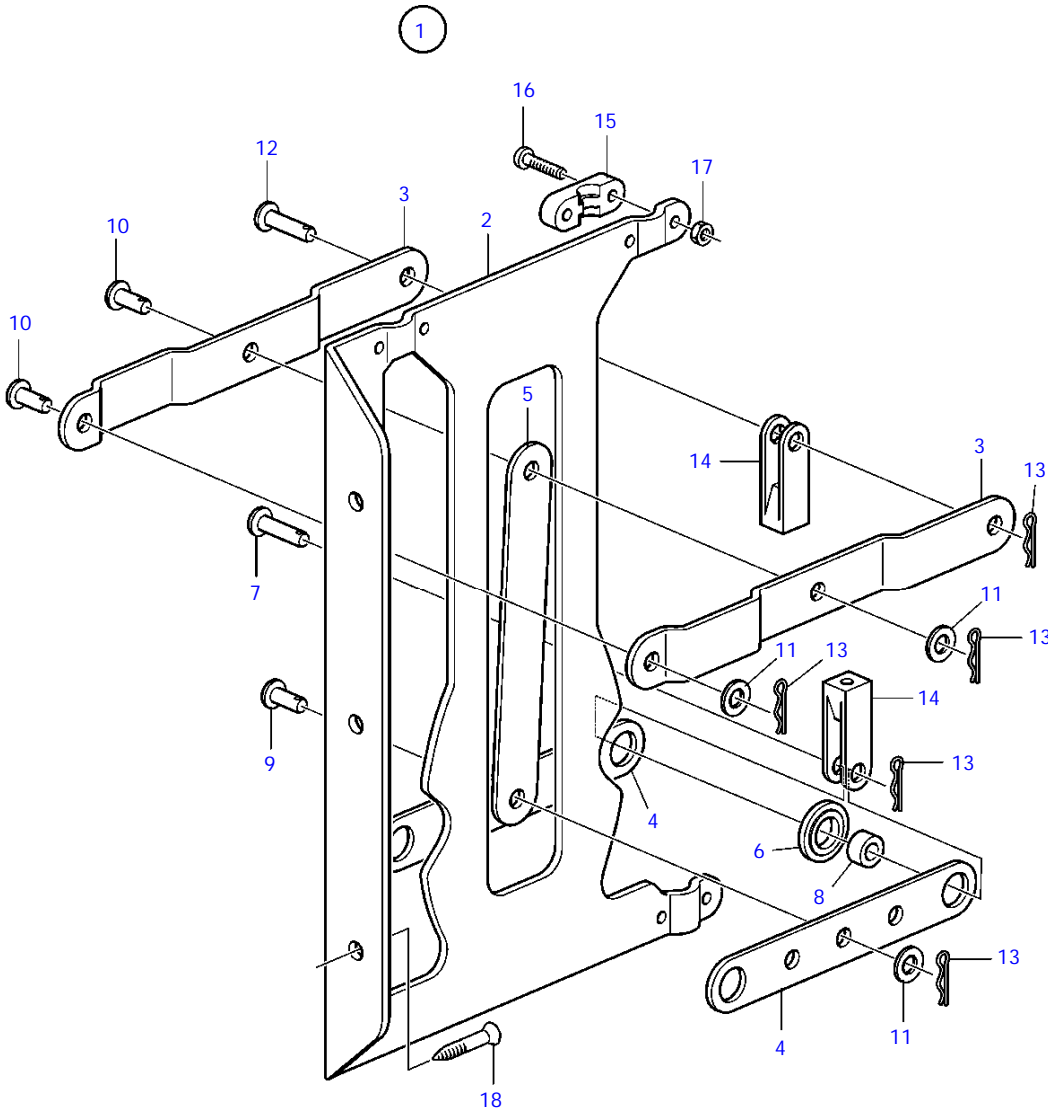


24630

D2-55F

| REF | PART NO. | QTY | DESCRIPTION | SEE SEC. |
|-----|----------|-----|------------------------|----------|
| 1 | 3841287 | 1 | Connector kit | |
| 2 | 840692 | 1 | * Cube | |
| 3 | 843105 | 2 | * Spacer washer | |
| 4 | 949874 | 3 | * Flange lock nut | |
| 5 | 969439 | 2 | * 6 point socket screw | |
| 6 | 819068 | 1 | * Washer | |
| 7 | 872074 | 1 | * Retainer | |
| 8 | 872076 | 1 | * Washer | |
| 9 | 21187771 | | Intermediate lever | |
| 10 | | 1 | Control cable | 231 |
| 11 | 21138262 | 1 | Support arm | |
| 12 | 946440 | 2 | Flange screw | |

D2-55A, D2-55B, D2-55C, D2-55D, D2-55E, D2-55F

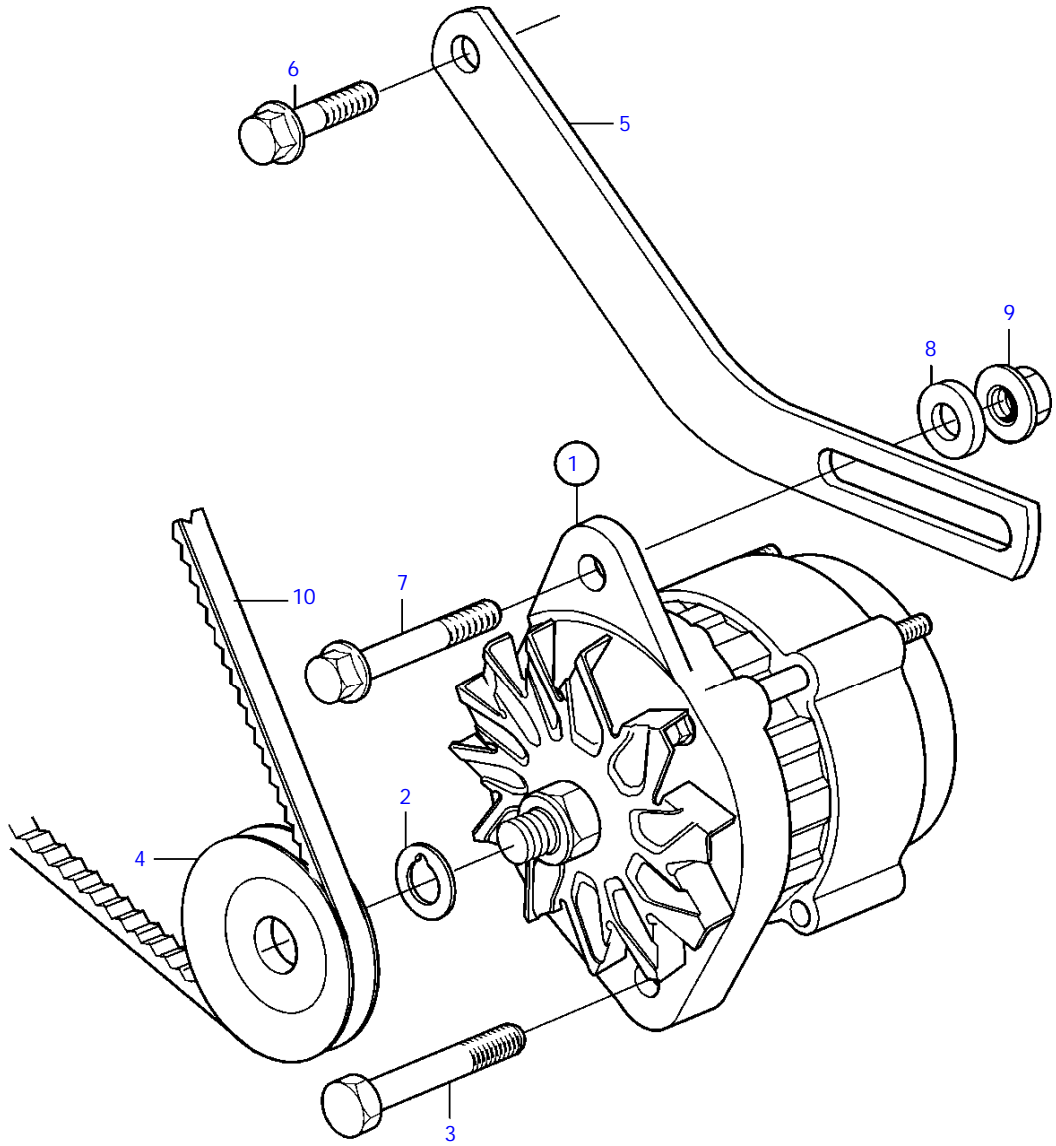


23103

D2-55A, D2-55B, D2-55C, D2-55D, D2-55E, D2-55F

| REF | PART NO. | QTY | DESCRIPTION | NOTES |
|-----|----------|-----|------------------------|--------------------------------|
| 1 | 828164 | 1 | Connection plate | For double steering positions. |
| 2 | | 1 | * Housing | |
| 3 | | 2 | * Lever | |
| 4 | | 2 | * Lever | |
| 5 | | 1 | * Lever | |
| 6 | 828180 | 2 | * Roller | |
| 7 | 828183 | 2 | * Split pin | |
| 8 | 828178 | 2 | * Bushing | |
| 9 | (850358) | 1 | * Clevis pin | Obsolete part |
| 10 | (828177) | 2 | * Clevis pin | Obsolete part |
| 11 | 940191 | 3 | * Washer | |
| 12 | 828182 | 1 | * Clevis pin | |
| 13 | 664822 | 6 | * Split pin | |
| 14 | 850452 | 3 | * Fork | |
| 15 | 850361 | 3 | * Cable attachment | |
| 16 | 969407 | 6 | * 6 point socket screw | (956078) |
| 17 | 955780 | 6 | * Hexagon nut | |
| 18 | (905448) | 3 | Screw | Obsolete part |

D2-55A, D2-55B



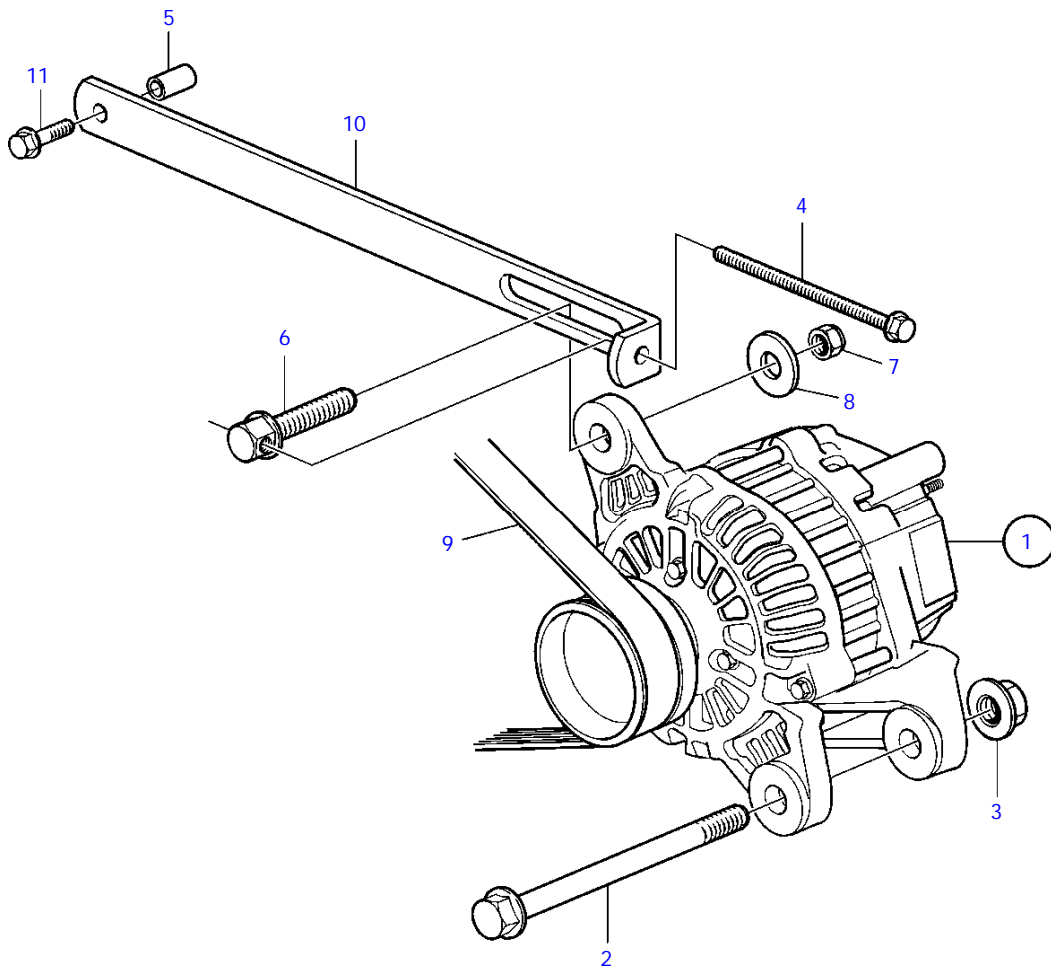
18963



D2-55A, D2-55B

| REF | PART NO. | QTY | DESCRIPTION | SEE SEC. | NOTES |
|-----|----------|-----|------------------------|-------------|-----------------------------|
| 1 | 872235 | 1 | Alternator | | 14V 60A |
| | 3803260 | 1 | Alternator, exch, exch | | 14V 60A |
| | | | * Bulletin P-32-1-4 | P-32-1-4-EN | Alternators wrong assembled |
| 1 | | | * | 21500 | |
| | 3803260 | 1 | Alternator, exch | | 14V 60A |
| | | | * Bulletin P-32-1-4 | P-32-1-4-EN | Alternators wrong assembled |
| 2 | | 2 | * Washer | | |
| 3 | 3583617 | 1 | Screw | | |
| 4 | 3583616 | 1 | Pulley | | |
| 5 | 3584100 | 1 | Tensioner | | |
| 6 | 945444 | 1 | Flange screw | | |
| 7 | 947760 | 1 | Flange screw | | |
| 8 | 976944 | 1 | Washer | | |
| 9 | 948645 | 1 | Flange lock nut | | |
| 10 | 978710 | 1 | V-belt | | (967114) |

D2-55C, D2-55D, D2-55E, D2-55F

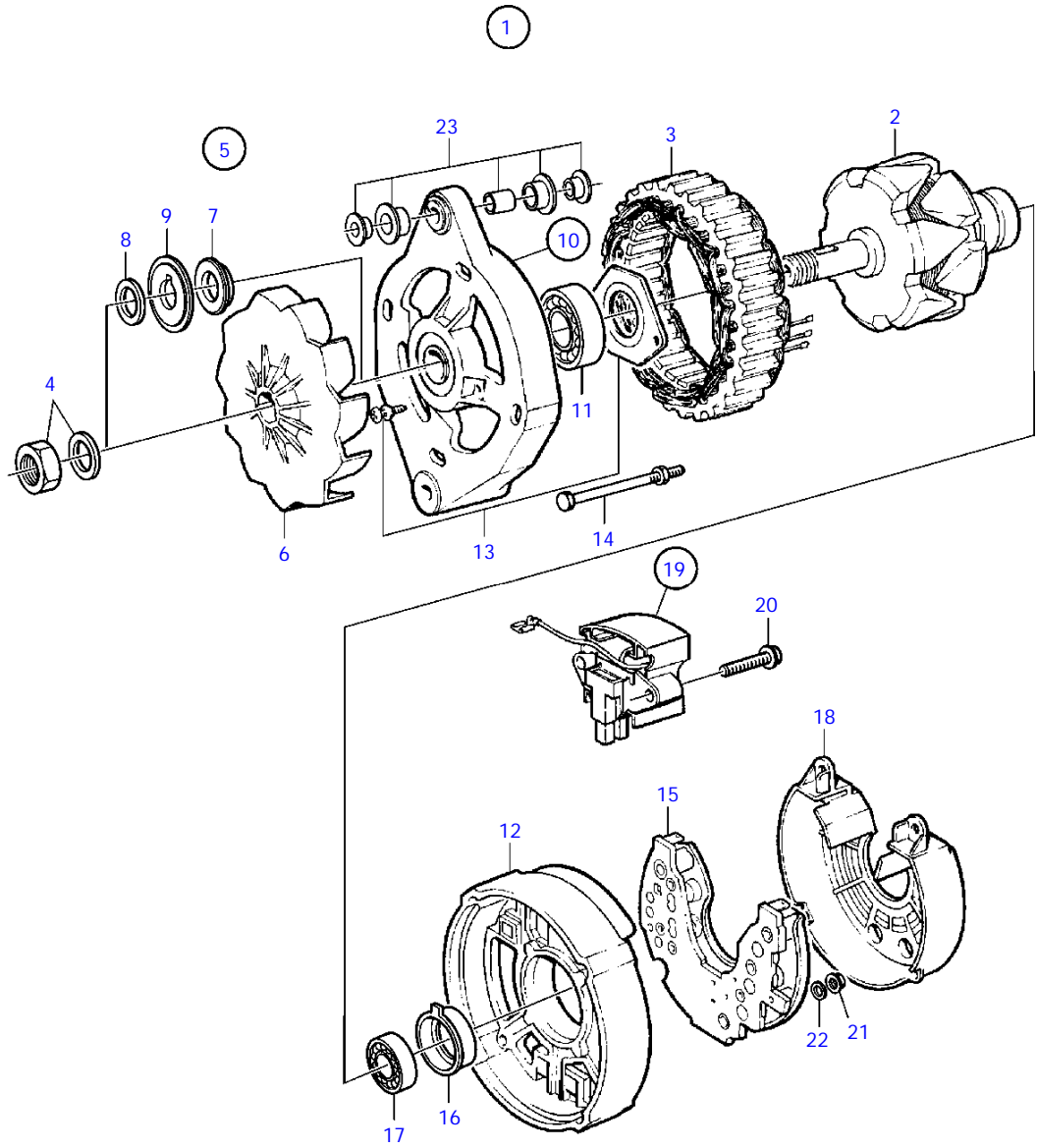


20027

D2-55C, D2-55D, D2-55E, D2-55F

| REF | PART NO. | QTY | DESCRIPTION | SEE SEC. | NOTES |
|-----|----------|-----|------------------------|----------|-----------|
| 1 | 3803650 | 1 | Alternator, exch | | 114V 115A |
| | 874502 | 1 | Alternator | | |
| | 3803650 | 1 | Alternator, exch, exch | | |
| | | | * | | 114V 115A |
| | | | * | 9893 | |
| 2 | 978447 | 1 | Flange screw | | |
| 3 | 971096 | 1 | Flange nut | | |
| 4 | 977820 | 1 | Hexagon screw | | |
| 5 | 3808872 | 1 | Spacer | | |
| 6 | 861663 | 1 | Lock screw | | |
| 7 | 948645 | 1 | Flange lock nut | | |
| 8 | 960144 | 1 | Washer | | |
| 9 | 3584086 | 1 | Belt | | |
| 10 | 3584100 | 1 | Tensioner | | |
| 11 | 946671 | 1 | Flange screw | | |

D2-55A, D2-55B

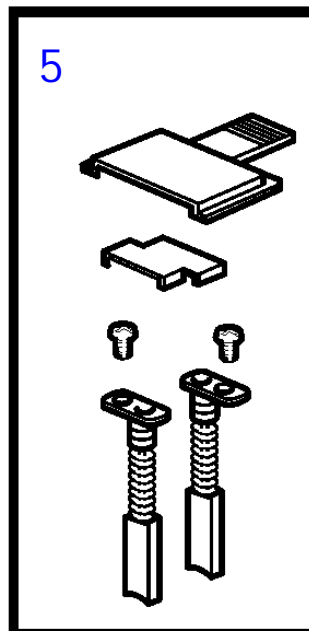
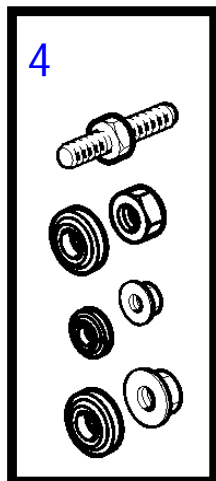
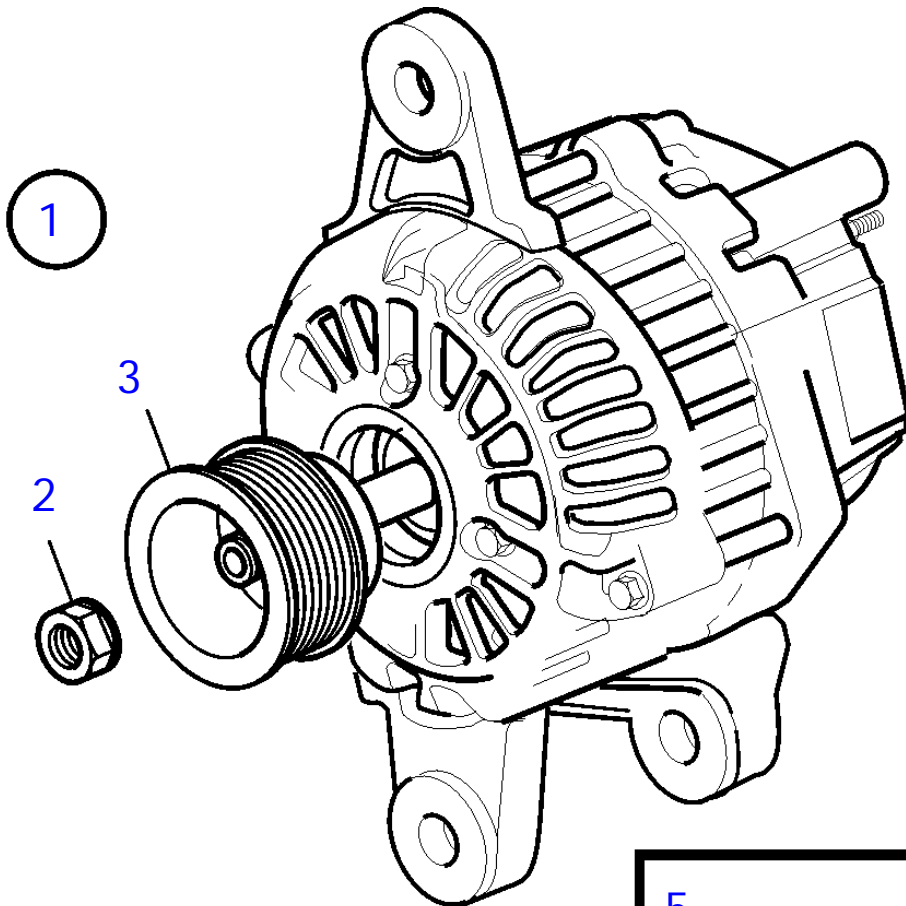


23096

D2-55A, D2-55B

| REF | PART NO. | QTY | DESCRIPTION | SEE SEC. | NOTES |
|-----|-----------|-----|------------------------|-------------|-----------------------------|
| 1 | 872235 | 1 | Alternator | | 14V 60A |
| | 3803260 | 1 | Alternator, exch, exch | | 14V 60A |
| | | | • Bulletin P-32-1-4 | P-32-1-4-EN | Alternators wrong assembled |
| 2 | | 1 | • Rotor | | |
| 3 | (873237) | 1 | • Stator | | Obsolete part |
| 4 | 6212688 | 1 | • Mounting kit | | |
| 5 | (860281) | 1 | • Fan kit | | Obsolete part |
| 6 | 860282 | 1 | • • Fan | | |
| 7 | 862897 | 1 | • • Spacer | | |
| 8 | 860284 | 1 | • • Spacer | | |
| 9 | 860283 | 1 | • • Washer | | |
| 10 | | 1 | • End plate | | |
| 11 | 860432 | 1 | • • Ball bearing | | |
| 12 | | 1 | • End plate | | |
| 13 | (840625) | 1 | • Mounting kit | | Obsolete part |
| 14 | | 1 | • Screw kit | | |
| 15 | (1698689) | 1 | • Diode bridge | | Obsolete part |
| 16 | (873241) | 1 | • Bearing carrier | | Obsolete part |
| 17 | (873239) | 1 | • Ball bearing | | Obsolete part |
| 18 | 873240 | 1 | • Protecting casing | | |
| 19 | 872720 | 1 | • Governor | | |
| 20 | | 2 | • • Screw | | |
| 21 | 955779 | 1 | • Hexagon nut | | (M4) W |
| | 965483 | 2 | • Flange nut | | (M5) D+,B- |
| | 945407 | 1 | • Flange nut | | (M6) B- |
| 22 | 980689 | 1 | • Washer | | (For M4) W |
| 23 | 840634 | 1 | • Guide | | |

D2-55C, D2-55D, D2-55E, D2-55F

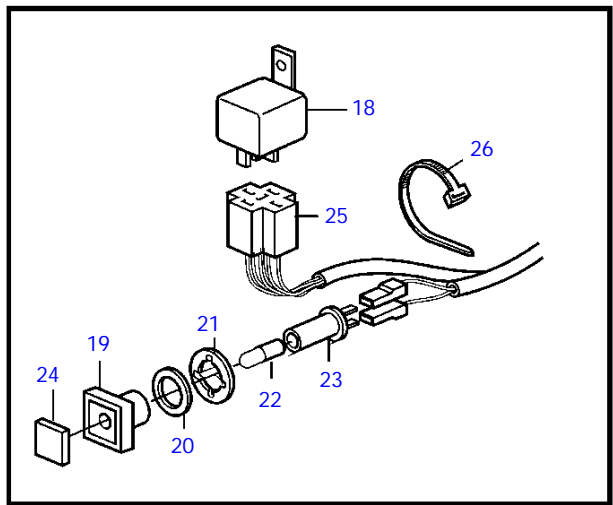
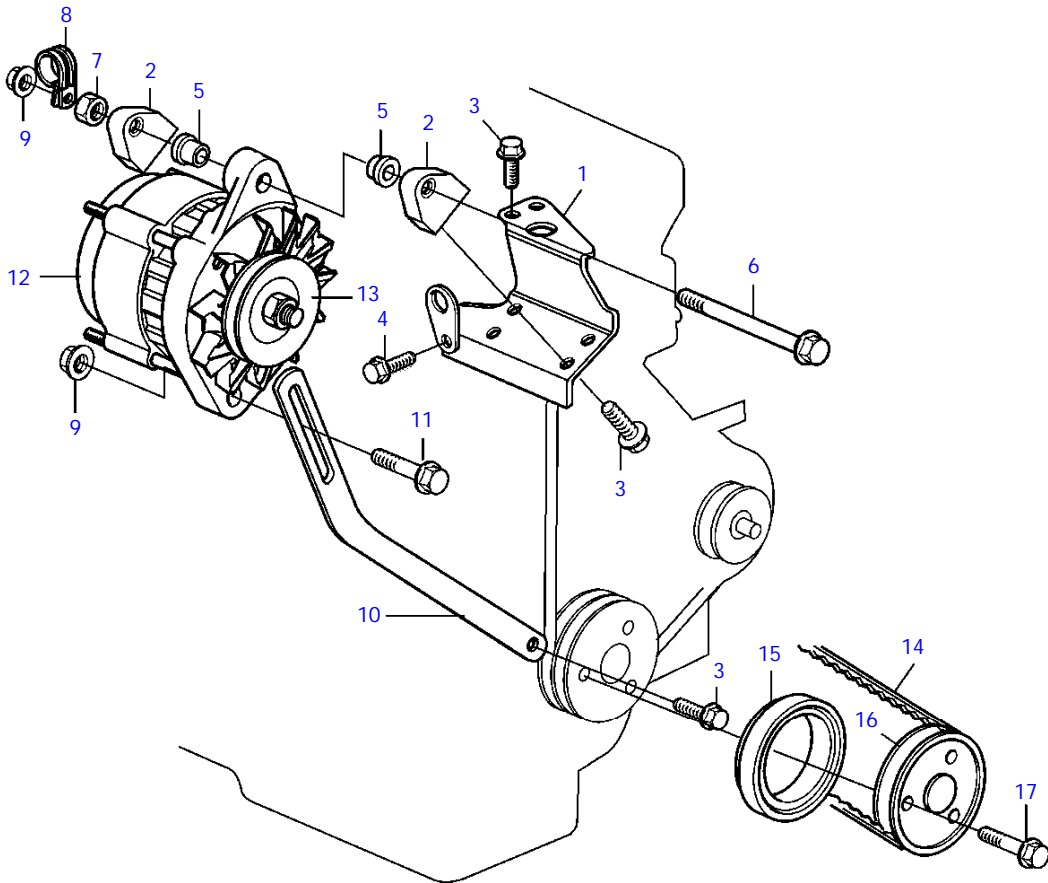


24383

D2-55C, D2-55D, D2-55E, D2-55F

| REF | PART NO. | QTY | DESCRIPTION |
|-----|----------|-----|------------------|
| 1 | 3803650 | 1 | Alternator, exch |
| 2 | 3818955 | 1 | • Nut set |
| 3 | 3818957 | 1 | • Pulley |
| 4 | 3818997 | 1 | • Connector kit |
| 5 | 3818999 | 1 | • Brush set |

D2-55A, D2-55B, D2-55C, D2-55D, D2-55E

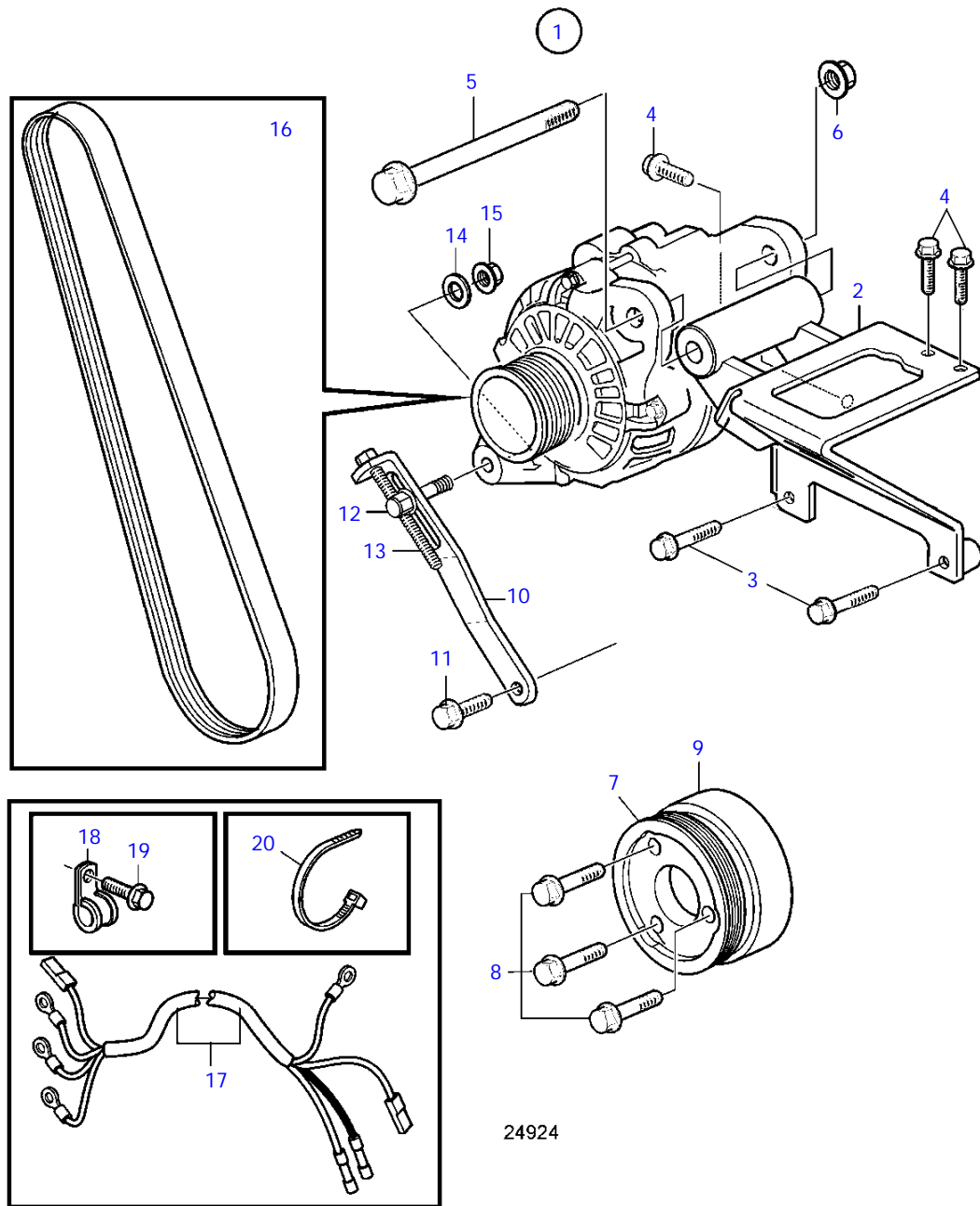


18969

D2-55A, D2-55B, D2-55C, D2-55D, D2-55E

| REF | PART NO. | QTY | DESCRIPTION | SEE SEC. | NOTES |
|-----|----------|-----|------------------------|-------------|-----------------------------|
| 1 | 3583062 | 1 | Bracket | | |
| 2 | 3580749 | 2 | Anchorage | | |
| 3 | 946440 | 7 | Flange screw | | |
| 4 | 946173 | 1 | Flange screw | | |
| 5 | 859274 | 2 | Washer | | |
| 6 | 968553 | 1 | Flange screw | | |
| 7 | 955782 | 1 | Hexagon nut | | |
| 8 | 949746 | 1 | Clamp | | |
| 9 | 945408 | 2 | Flange nut | | |
| 10 | 845021 | 1 | Tensioner | | |
| 11 | 947760 | 1 | Flange screw | | |
| 12 | 872235 | 1 | Alternator | | 12V, 60A |
| | 3803260 | 1 | Alternator, exch, exch | | 12V, 60A |
| | | | * Bulletin P-32-1-4 | P-32-1-4-EN | Alternators wrong assembled |
| 12 | 872927 | 1 | Alternator | | 24V, 40A |
| | 3803619 | 1 | Alternator, exch, exch | | 24V, 40A |
| 13 | 841813 | 1 | Pulley | | |
| 14 | 978710 | 1 | V-belt | | |
| 15 | 3583572 | 1 | Spacer | | |
| 16 | 3581036 | 1 | Pulley | | |
| 17 | 965227 | 3 | Flange screw | | |
| 18 | 1324492 | 1 | Relay | | |
| 19 | 838455 | 1 | Retainer | | |
| 20 | 829714 | 1 | Sealing ring | | |
| 21 | 967583 | 1 | Retainer | | |
| 22 | 19923 | 1 | Bulb | | |
| 23 | 808175 | 1 | Lamp socket | | |
| 24 | 838457 | 1 | Symbol strip | | |
| 25 | 838542 | 1 | Cable trunk | | |
| 26 | 948211 | 10 | Cable tie | | |

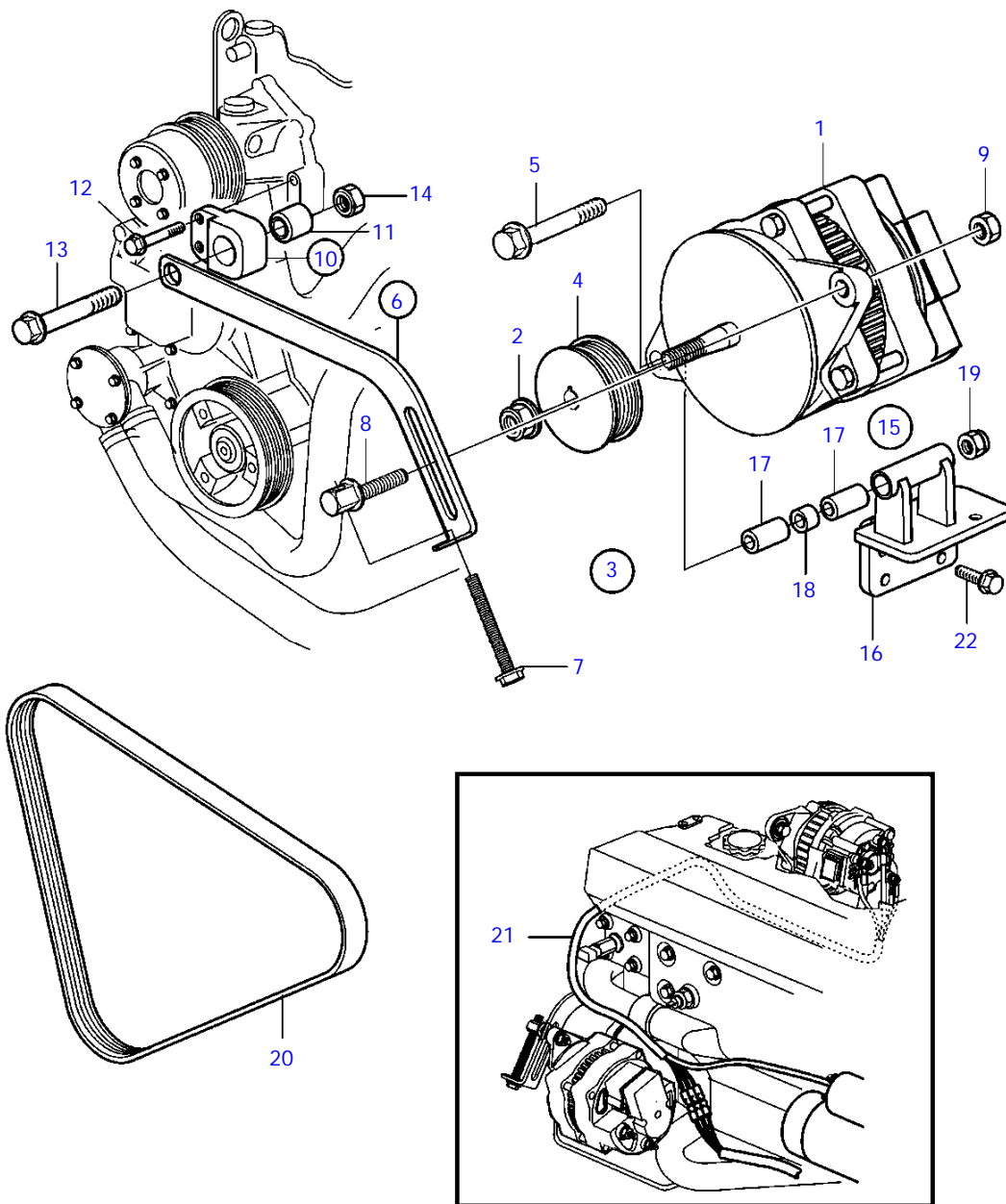
D2-55E



D2-55E

| REF | PART NO. | QTY | DESCRIPTION | NOTES |
|-----|----------|-----|-----------------------|-----------|
| 1 | 21384685 | 1 | Extra alternator, kit | |
| 2 | 21178401 | 1 | * Bracket | |
| 3 | 946470 | 2 | * Flange screw | M8x35mm |
| 4 | 946440 | 3 | * Flange screw | M8x16mm |
| 5 | 978447 | 1 | * Flange screw | M12x150mm |
| 6 | 971096 | 1 | * Flange nut | |
| 7 | 21178941 | 1 | * Pulley | |
| 8 | 965227 | 3 | * Flange screw | M12x55mm |
| 9 | 3583572 | 1 | * Spacer | |
| 10 | 21180308 | 1 | * Tensioner | |
| 11 | 946173 | 1 | * Flange screw | M8x20mm |
| 12 | 861663 | 1 | * Lock screw | |
| 13 | 977820 | 1 | * Hexagon screw | M8x100mm |
| 14 | 960144 | 1 | * Washer | |
| 15 | 948645 | 1 | * Flange lock nut | |
| 16 | 21179870 | 1 | * Belt | |
| 17 | 21380307 | 1 | * Wiring harness | |
| 18 | 949746 | 1 | * Clamp | |
| 19 | 948663 | 1 | * Flange screw | M5x10mm |
| 20 | 948211 | 3 | * Cable tie | |

D2-55C, D2-55D, D2-55E, D2-55F

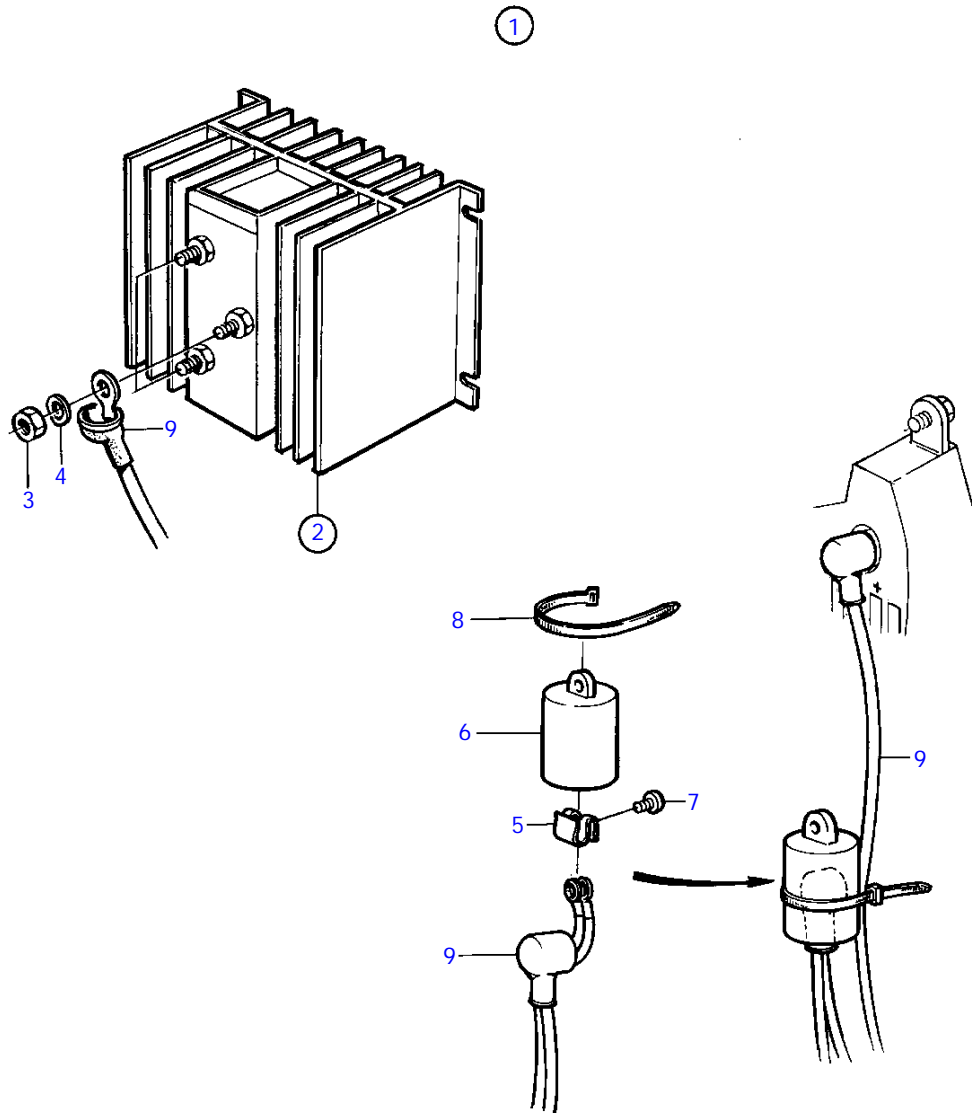


23210

D2-55C, D2-55D, D2-55E, D2-55F

| REF | PART NO. | QTY | DESCRIPTION | SEE SEC. | NOTES |
|-----|----------|-----|------------------------|-------------|--|
| 1 | | 1 | Alternator, mastervolt | | Not marketed by Volvo Penta. |
| 2 | | 1 | * Nut | | |
| 3 | 21281679 | 1 | Alternator kit | | |
| 4 | 3818325 | 1 | * Pulley | | |
| 5 | 978447 | 4 | * Flange screw | | |
| 6 | | 1 | * Tensioner, kit | | |
| 7 | 977820 | 1 | * Hexagon screw | | |
| 8 | 861663 | 1 | * Lock screw | | |
| 9 | 945408 | 1 | * Flange nut | | |
| 10 | | 1 | * Bracket, kit | | |
| 11 | 859071 | 1 | * Bushing | | |
| 12 | 945444 | 2 | * Flange screw | | |
| 13 | 965193 | 1 | * Flange screw | | |
| 14 | 971096 | 1 | * Flange nut | | |
| 15 | | 1 | * Bracket, kit | | |
| 16 | | 1 | * Bracket | | |
| 17 | 859574 | 2 | * Bushing | | |
| 18 | 859072 | 1 | * Sleeve | | |
| 19 | 971096 | 1 | * Flange nut | | |
| 20 | 991619 | 1 | * V-ribbed belt | | |
| 21 | 3886482 | 1 | * Wiring harness | | |
| | | | * Bulletin P-32-1-3 | P-32-1-3-EN | Extra Alternator Kit, D2-55/75 Engines |
| 22 | 3583794 | 4 | Screw | | |

D2-55A, D2-55B

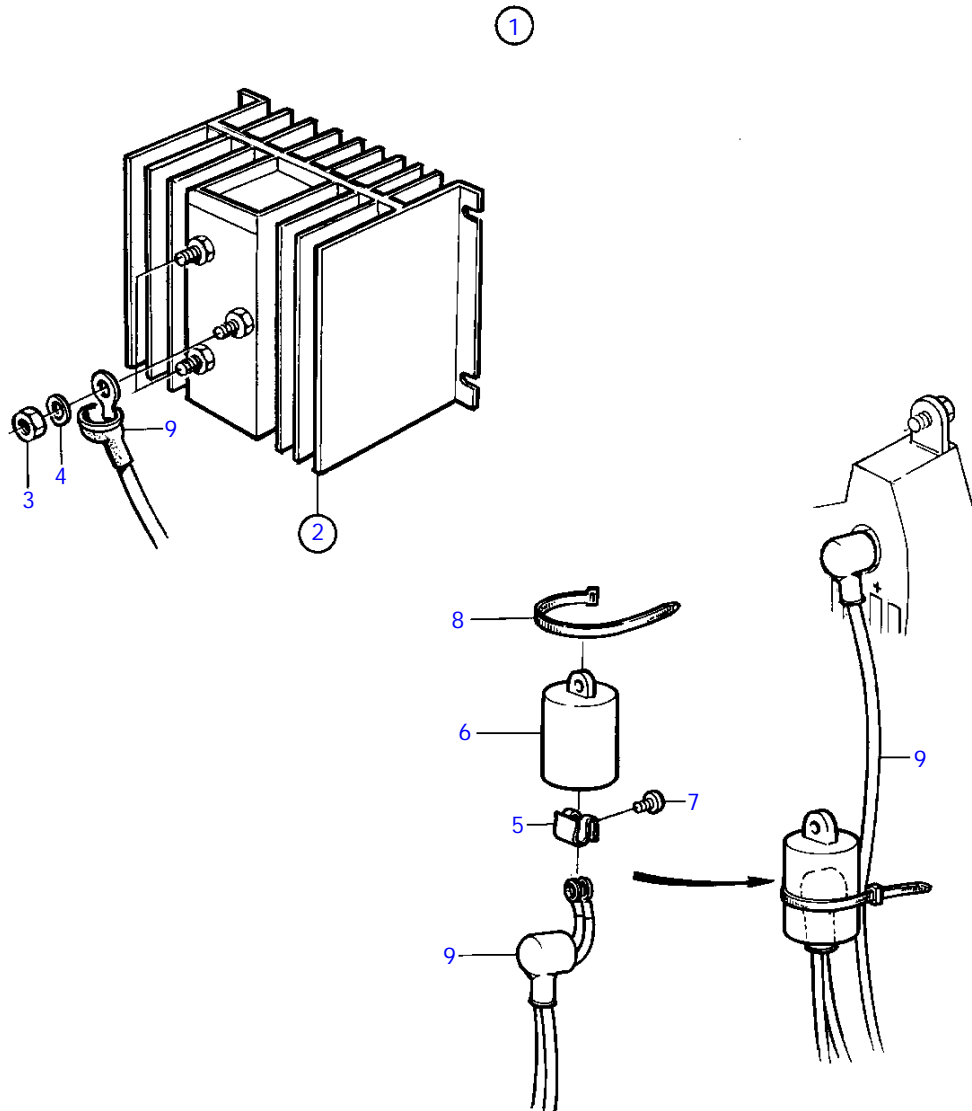


11570

D2-55A, D2-55B

| REF | PART NO. | QTY | DESCRIPTION | SEE SEC. | NOTES |
|-----|----------|-----|------------------------|----------|---|
| 1 | 873120 | 1 | Junction block | | For charging of 2 batteries., For alternators 12-28V up to 60A. |
| | | | * Bulletin 52-07 | 52-07-EN | Charging Distributor |
| | | | * Bulletin 52-11 | 52-11-EN | Charging Distributor |
| 2 | 872928 | 1 | * Junction block | | |
| 3 | 955846 | 3 | * Hexagon nut | | |
| 4 | 941906 | 3 | * Spring washer | | |
| 5 | 859492 | 1 | * Spring nut | | |
| 6 | 859493 | 1 | * Protecting casing | | |
| 7 | 955126 | 1 | * Cross recessed screw | | |
| 8 | 948211 | 1 | * Cable tie | | |
| 9 | | X | electrical materials | 1963 | |

D2-55C, D2-55D, D2-55E, D2-55F

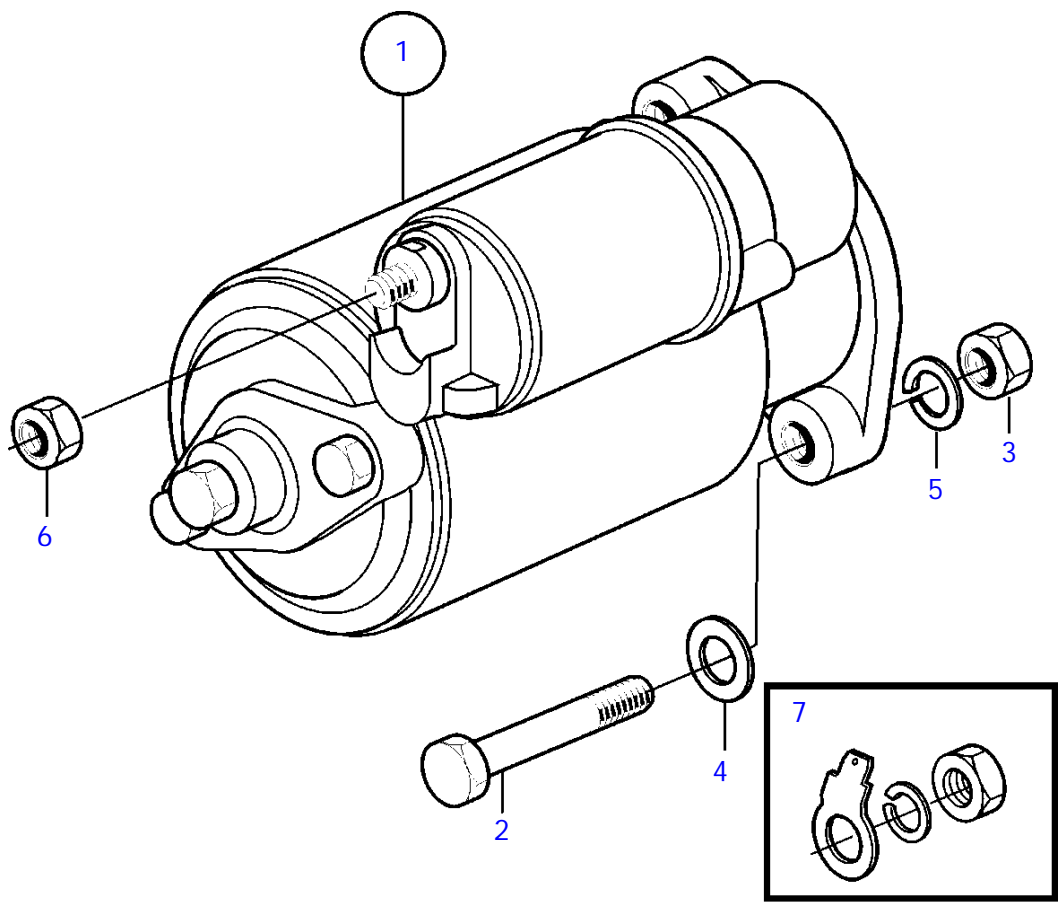


11570

D2-55C, D2-55D, D2-55E, D2-55F

| REF | PART NO. | QTY | DESCRIPTION | SEE SEC. | NOTES |
|-----|----------|-----|------------------------|-------------|------------------------------|
| 1 | 3840597 | 1 | Junction block | | For charging of 2 batteries. |
| | | | * Bulletin P-32-2-1 | P-32-2-1-EN | Charge Distribution Kit |
| 2 | | 1 | * Charge distributor | | |
| 3 | 955846 | 3 | * Hexagon nut | | |
| 4 | 941906 | 3 | * Spring washer | | |
| 5 | 859492 | 1 | * Spring nut | | |
| 6 | 859493 | 1 | * Protecting casing | | |
| 7 | 955126 | 1 | * Cross recessed screw | | |
| 8 | 948211 | 1 | * Cable tie | | |
| 9 | | X | electrical materials | 1963 | |

D2-55A, D2-55B, D2-55C, D2-55D, D2-55E, D2-55F

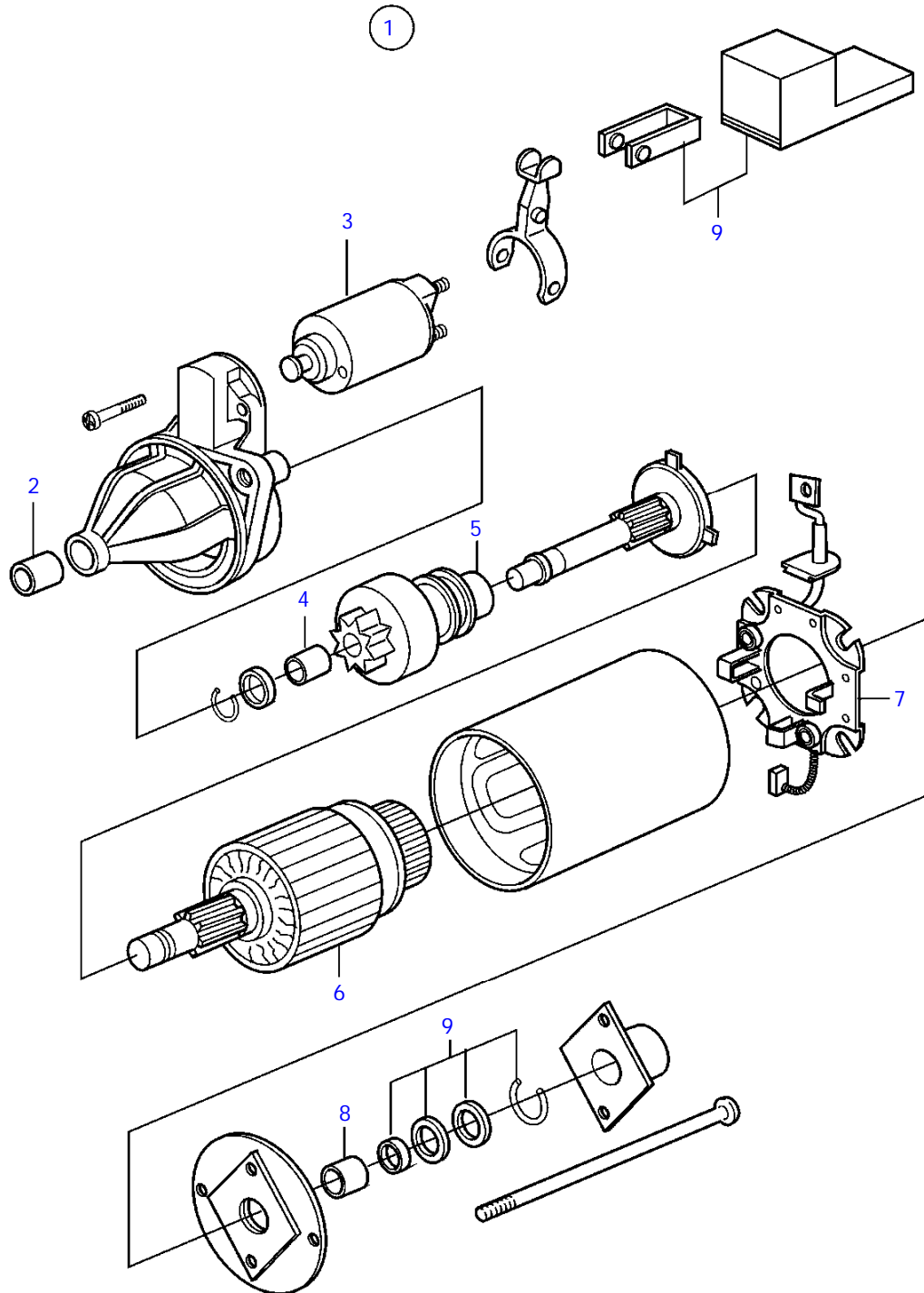


18959

D2-55A, D2-55B, D2-55C, D2-55D, D2-55E, D2-55F

| REF | PART NO. | QTY | DESCRIPTION | NOTES |
|-----|----------|-----|---------------------------|----------------------|
| 1 | 3801351 | 1 | Starter motor, exch | Replaced by 21323043 |
| | 21323043 | 1 | Starter motor | |
| | 3801351 | 1 | Starter motor, exch, exch | |
| 2 | 970948 | 2 | Hexagon screw | |
| 3 | 948645 | 2 | Flange lock nut | |
| 4 | 3580031 | 2 | Washer | |
| 5 | 3580015 | 2 | Spring washer | |
| 6 | 948645 | 1 | Flange lock nut | |
| 7 | | 1 | included material | |

D2-55A, D2-55B, D2-55C, D2-55D, D2-55E, D2-55F

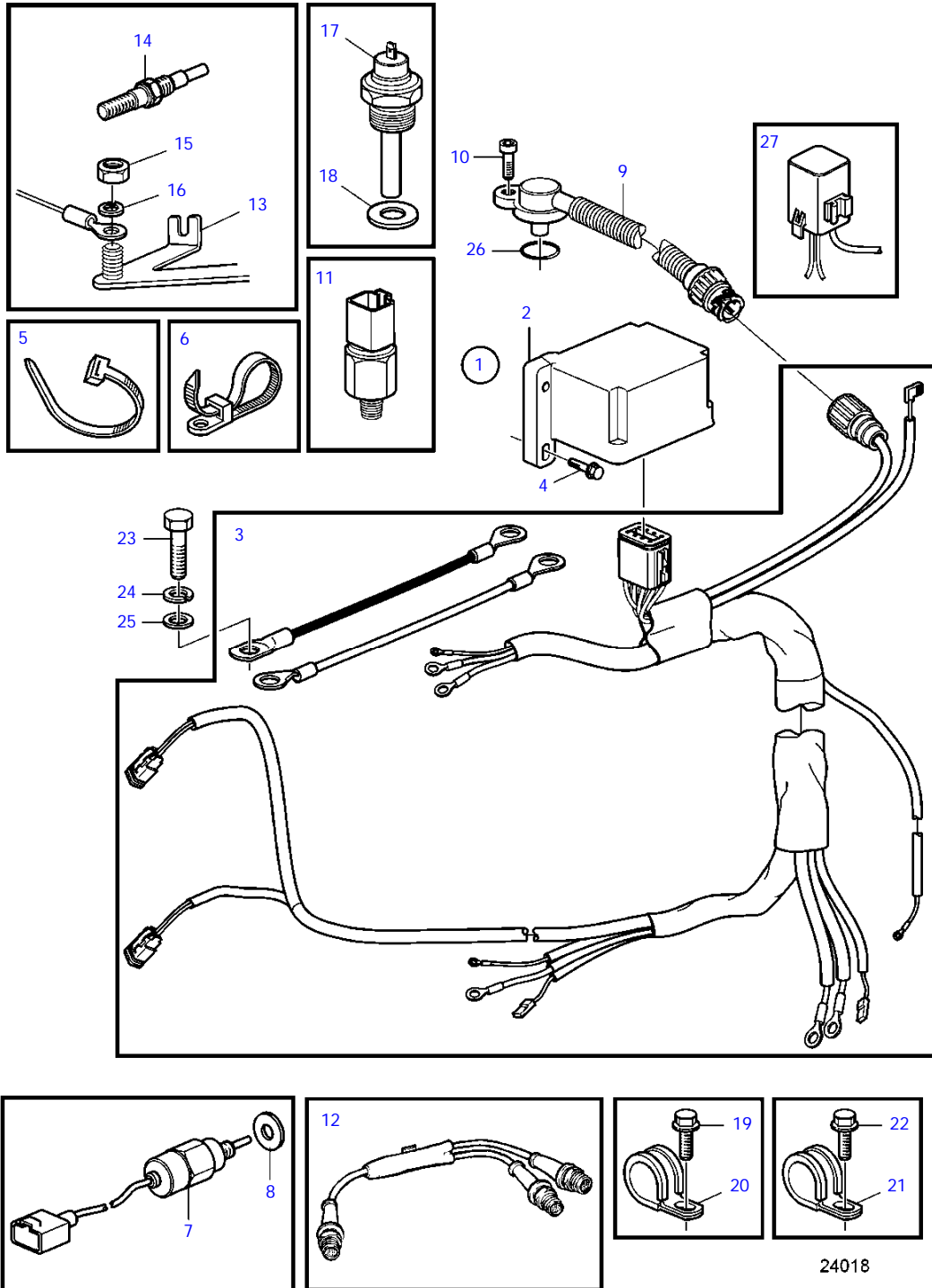


18960

D2-55A, D2-55B, D2-55C, D2-55D, D2-55E, D2-55F

| REF | PART NO. | QTY | DESCRIPTION | NOTES |
|-----|-----------|-----|---------------------------|------------------------------------|
| 1 | (3583555) | 1 | Starter motor | Use exch no 3801351, Obsolete part |
| | (3803929) | 1 | Starter motor, exch, exch | Use exch no 3801351, Obsolete part |
| | 3801351 | 1 | Starter motor, exch | Replaced by 21323043 |
| | 21323043 | 1 | Starter motor | |
| | 3801351 | 1 | Starter motor, exch, exch | |
| 2 | 3583744 | 1 | * Bushing | |
| 3 | (3583745) | 1 | * Starter relay | Obsolete part |
| 4 | 3583746 | 1 | * Bushing | |
| 5 | 3583747 | 1 | * Starter pinion | |
| 6 | | 1 | * Rotor | |
| 7 | 3583749 | 1 | * Brush retainer | |
| 8 | 3583751 | 1 | * Bushing | |
| 9 | | 1 | * Washer kit | |

D2-55D, D2-55E, D2-55F

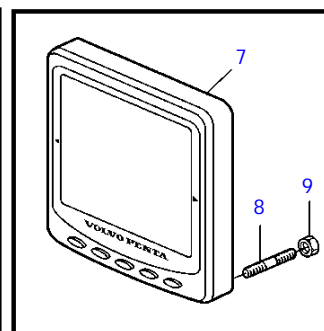
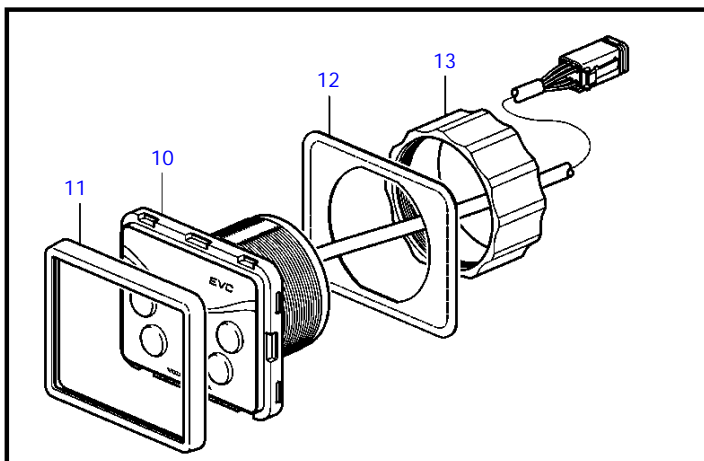
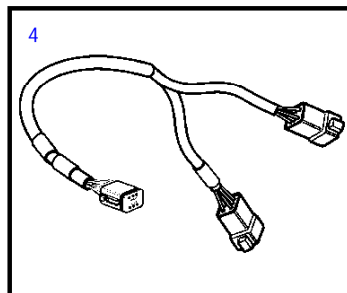
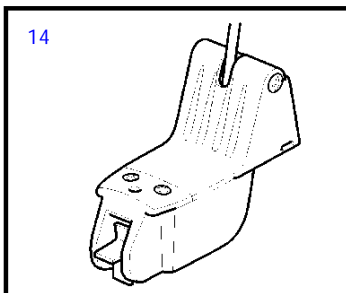
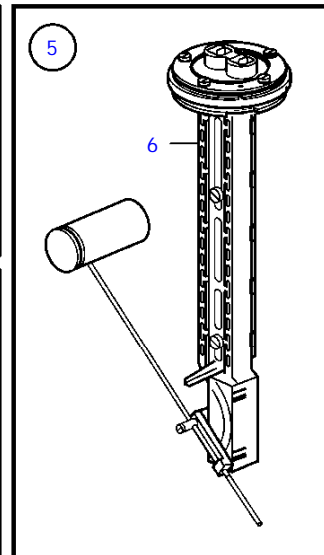
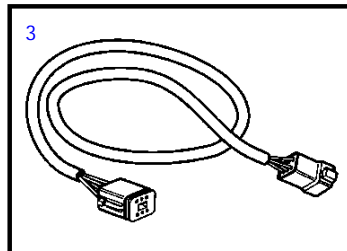
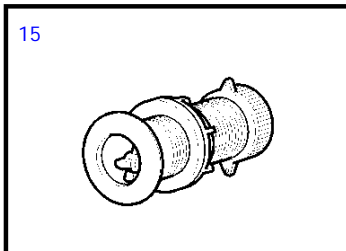
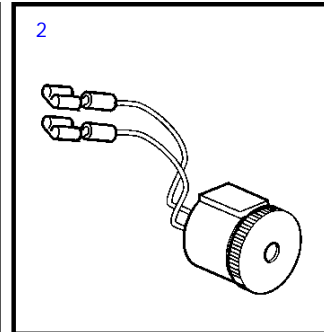
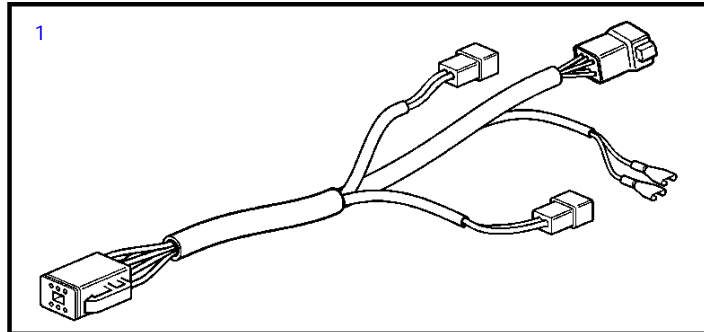


24018

D2-55D, D2-55E, D2-55F

| REF | PART NO. | QTY | DESCRIPTION | NOTES |
|-----|----------|-----|----------------------|--------------------------------|
| 1 | | | Electrical distribut | |
| 2 | 21120710 | 1 | * Control unit | Replaced by 21261871 |
| | 21261871 | 1 | * Control unit | MDI, Replaced by 21511215 |
| | 21511215 | 1 | * Electronic unit | Replaced by 21558939 |
| | 21558939 | 1 | * Electronic unit | |
| 3 | 3843674 | 1 | * Wiring harness | D2-55D, D2-55E, D2-75B, D2-75C |
| | 21273764 | 1 | * Wiring harness | D2-55F, D2-75F |
| 4 | 948356 | 2 | Flange screw | |
| 5 | 948211 | 8 | Cable tie | |
| 6 | 948616 | 1 | Cable tie | |
| 7 | 3584127 | 1 | Stop solenoid | |
| 8 | 3580092 | 1 | Sealing ring | |
| 9 | 3944124 | 1 | Sensor | |
| 10 | 942001 | 1 | Hex. socket screw | |
| 11 | 21250645 | 1 | Pressure switch | For oil |
| 12 | 1140598 | 1 | Distributing contact | For double steering positions. |
| 13 | 3583571 | 1 | Current bar | |
| 14 | 3583025 | 1 | Glow plug | |
| 15 | 955779 | 1 | Hexagon nut | |
| 16 | 3809677 | 1 | Washer | |
| 17 | 827151 | 1 | Temperature sensor | |
| 18 | 11998 | 1 | Gasket | |
| 19 | 947191 | 1 | Clamp | |
| 20 | 947107 | 1 | Flange screw | |
| 21 | 945081 | 1 | Clamp | |
| 22 | 947107 | 1 | Flange screw | |
| 23 | 946502 | 1 | Flange screw | Ground (hull) |
| 24 | 955898 | 1 | Washer | 0.2mm |
| 25 | 940280 | 1 | Spring washer | 1.2mm |
| 26 | 974673 | 1 | O-ring | |
| 27 | 3594745 | 1 | Wiring harness | |

D2-55D, D2-55E, D2-55F

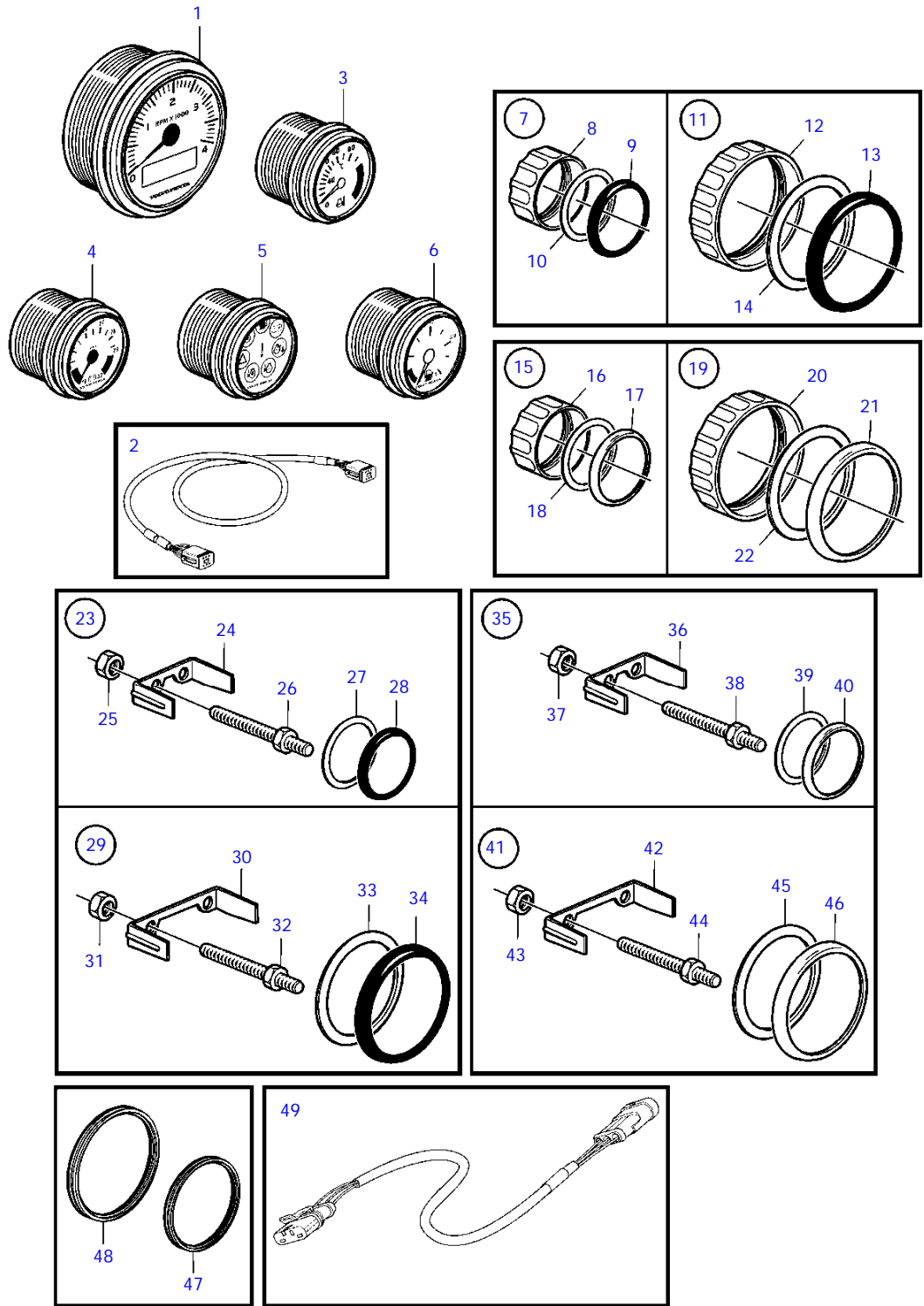


23570

D2-55D, D2-55E, D2-55F

| REF | PART NO. | QTY | DESCRIPTION | NOTES |
|-----|----------|-----|----------------------|----------------------------|
| 1 | 3888589 | 1 | Wiring harness | |
| 2 | 3817974 | 1 | Alarm | |
| 3 | 3842733 | 1 | Extension cable'verl | L=3000mm |
| | 3842734 | 1 | Extension cable'verl | L=5000mm |
| | 3842735 | 1 | Extension cable'verl | L=7000mm |
| | 3842736 | 1 | Extension cable'verl | L=9000mm |
| | 3842737 | 1 | Extension cable'verl | L=11000mm |
| 4 | 3588206 | 1 | Cable kit, y-split | |
| | 874760 | 1 | Cable kit | For secondary helm station |
| 5 | 3812291 | 1 | Sensor kit | Replaced by 21575479 |
| | 21575479 | 1 | Sensor kit | |
| 6 | 873772 | 1 | * Tank sensor | |
| 7 | 21631438 | 1 | Kit | |
| 8 | 830928 | 4 | * Stud | |
| 9 | 830930 | 4 | * Nut | |
| 10 | 21144348 | 1 | Control panel | |
| 11 | 3808131 | 1 | * Frame | |
| 12 | 3808135 | 1 | * Gasket | |
| 13 | 3808134 | 1 | * Nut | |
| 14 | 3587055 | 1 | Sensor | Mounted on transom |
| 15 | 3587054 | 1 | Sensor | Through hull |

D2-55D, D2-55E, D2-55F

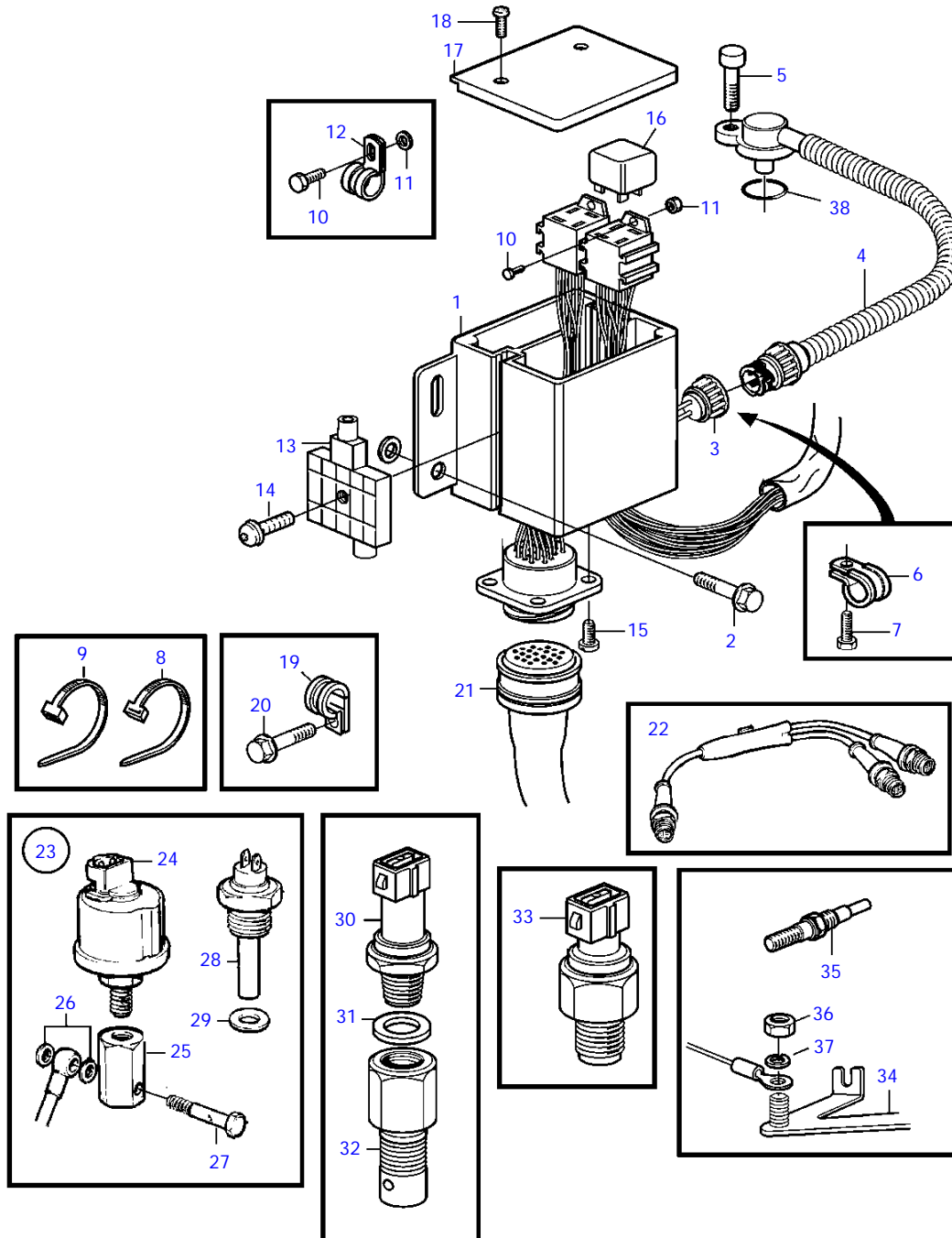


23568

D2-55D, D2-55E, D2-55F

| REF | PART NO. | QTY | DESCRIPTION | NOTES |
|-----|----------|-----|----------------------------------|-----------------------------|
| 1 | 3885694 | 1 | Tachometer | Black, 4000rpm |
| | 3885695 | 1 | Tachometer | White, 4000rpm |
| 2 | 3886666 | 1 | Cable | L=1500mm |
| | 21166002 | 1 | Wiring harness | L=7000mm |
| | 21166003 | 1 | Wiring harness | L=9000mm |
| | 21166004 | 1 | Wiring harness | L=13000mm |
| 3 | 874904 | 1 | Thermometer, coolant water | Black 0-120°C |
| | 874921 | 1 | Thermometer, coolant water | White 0-120°C |
| | 874918 | 1 | Thermometer, coolant water | Black 40-250 °F |
| | 874931 | 1 | Thermometer, coolant water | White 40-250 °F |
| 4 | 881649 | 1 | Voltmeter | 12V, black |
| | 881658 | 1 | Voltmeter | 12V, white |
| 5 | 874915 | 1 | Instrument, alarm | Black D=52mm |
| | 874927 | 1 | Instrument, alarm | White D=52mm |
| 6 | 874914 | 1 | Fuel gauge | Black D=52mm |
| | 874926 | 1 | Fuel gauge | White D=52mm |
| 7 | 874709 | 1 | Mounting kit | Black D=52mm |
| 8 | 874450 | 1 | * Attaching ring | |
| 9 | 874448 | 1 | * Ring | |
| 10 | 874707 | 1 | * Gasket | |
| 11 | 874708 | 1 | Mounting kit | Black D=85mm |
| 12 | 874449 | 1 | * Attaching ring | |
| 13 | 874447 | 1 | * Ring | |
| 14 | 874706 | 1 | * Gasket | |
| 15 | 874733 | 1 | Mounting kit | Chrome D=52mm |
| 16 | 874450 | 1 | * Attaching ring | |
| 17 | 874731 | 1 | * Ring | |
| 18 | 874707 | 1 | * Gasket | |
| 19 | 874732 | 1 | Mounting kit | Chrome D=85mm |
| 20 | 874449 | 1 | * Attaching ring | |
| 21 | 874730 | 1 | * Ring | |
| 22 | 874706 | 1 | * Gasket | |
| 23 | 881611 | 1 | Brace kit | Black D=52mm |
| 24 | 881607 | 1 | * Brace | |
| 25 | 881610 | 2 | * Nut | |
| 26 | 881609 | 2 | * Stud | |
| 27 | 874707 | 1 | * Gasket | |
| 28 | 874448 | 1 | * Ring | |
| 29 | 881612 | 1 | Brace kit | Black D=85mm |
| 30 | 881608 | 1 | * Brace | |
| 31 | 881610 | 2 | * Nut | |
| 32 | 881609 | 2 | * Stud | |
| 33 | 874706 | 1 | * Gasket | |
| 34 | 874447 | 1 | * Ring | |
| 35 | 881613 | 1 | Brace kit | Chrome D=52mm |
| 36 | 881607 | 1 | * Brace | |
| 37 | 881610 | 2 | * Nut | |
| 38 | 881609 | 2 | * Stud | |
| 39 | 874707 | 1 | * Gasket | |
| 40 | 874731 | 1 | * Ring | |
| 41 | 881614 | 1 | Brace kit | Chrome D=85mm |
| 42 | 881608 | 1 | * Brace | |
| 43 | 881610 | 2 | * Nut | |
| 44 | 881609 | 2 | * Stud | |
| 45 | 874706 | 1 | * Gasket | |
| 46 | 874730 | 1 | * Ring | |
| 47 | 874843 | 1 | X-ring, sealing | For flush mounting., D=52mm |
| 48 | 874844 | 1 | X-ring, sealing | For flush mounting., D=85mm |
| 49 | 874759 | 1 | Extension cable'verl, instrument | L=1000mm |
| | 3807043 | 1 | Extension cable'verl, instrument | L=3000mm |

D2-55A, D2-55B

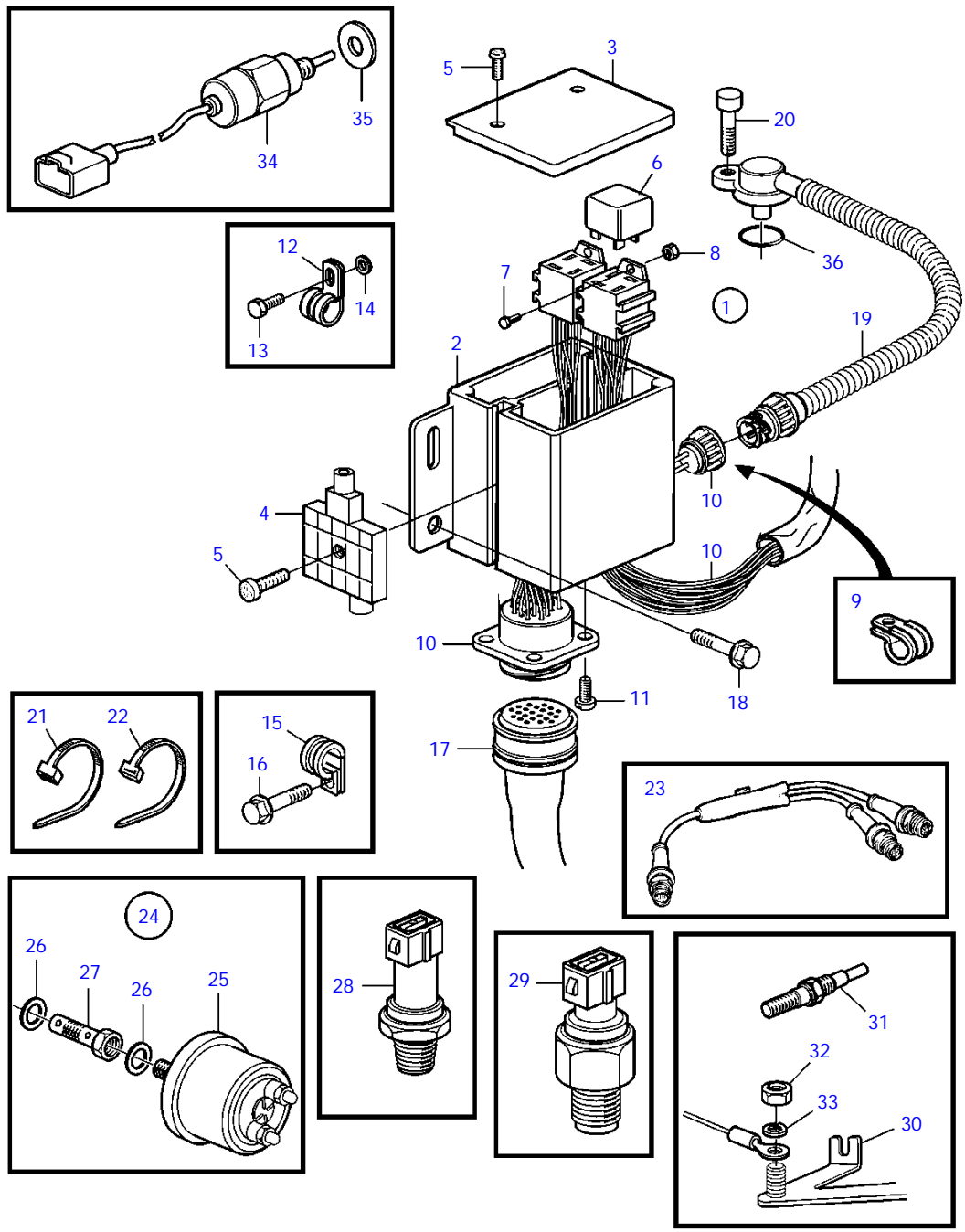


18962

D2-55A, D2-55B

| REF | PART NO. | QTY | DESCRIPTION | NOTES |
|-----|----------|-----|----------------------|--------------------------------|
| 1 | 861648 | 1 | Electrical distribut | |
| 2 | 3580269 | 2 | Screw | |
| 3 | 874442 | 1 | Wiring harness | |
| 4 | 3944124 | 1 | Sensor | |
| 5 | 963684 | 1 | Hex. socket screw | |
| 6 | 968476 | 1 | Flange screw | |
| 7 | 952639 | 1 | Clamp | |
| 8 | 948211 | 1 | Cable tie | L=170mm |
| 9 | 948616 | 1 | Cable tie | L=375mm |
| 10 | 948663 | 3 | Flange screw | |
| 11 | 955780 | 3 | Hexagon nut | |
| 12 | 952627 | 1 | Clamp | |
| 13 | 873566 | 1 | Fuse box | |
| 14 | 955142 | 1 | Cross recessed screw | |
| 15 | 955119 | 4 | Cross recessed screw | |
| 16 | 873765 | 2 | Relay | |
| 17 | 861681 | 1 | Cardboard tube | |
| 18 | 955142 | 2 | Cross recessed screw | |
| 19 | 947191 | 1 | Clamp | For cabel to glow plug |
| 20 | 947107 | 1 | Flange screw | |
| 21 | 846648 | 1 | Extension cable'verl | L=3.0m |
| | 846649 | 1 | Extension cable'verl | L=5.0m |
| | 846650 | 1 | Extension cable'verl | L=7.0m |
| | 873838 | 1 | Extension cable'verl | L=9.0m |
| | 873839 | 1 | Extension cable'verl | L=11.0m |
| 22 | 1140598 | 1 | Distributing contact | For double steering positions. |
| 23 | 873569 | 1 | Sensor kit | |
| 24 | 366906 | 1 | * Pressure sensor | |
| 25 | 861388 | 1 | * Adapter | |
| 26 | 947620 | 3 | * Gasket | |
| 27 | 861389 | 1 | * Hollow screw | |
| 28 | 827151 | 1 | * Temperature sensor | |
| 29 | 11998 | 1 | * Gasket | |
| 30 | 3583569 | 1 | Temperature sensor | |
| 31 | 11992 | 2 | Gasket | |
| 32 | 3583575 | 1 | Hollow screw | |
| 33 | 3583570 | 1 | Pressure monitor | |
| 34 | 3583571 | 1 | Current bar | |
| 35 | 3583025 | 4 | Glow plug | |
| 36 | | 1 | Nut | |
| 37 | | 1 | Washer | |
| 38 | 974673 | 1 | O-ring | |

D2-55C



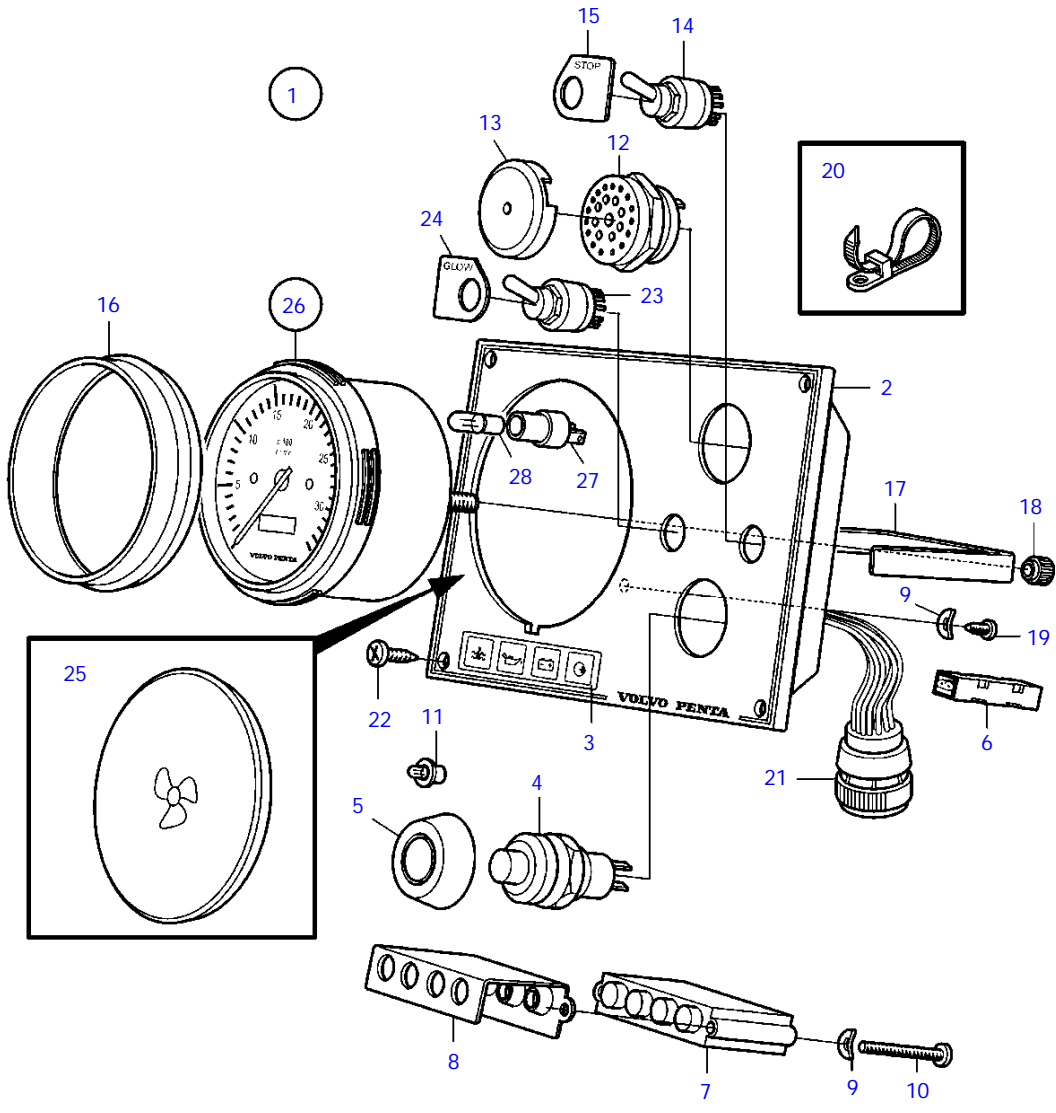
20427



D2-55C

| REF | PART NO. | QTY | DESCRIPTION | NOTES |
|-----|----------|-----|------------------------|--------------------------------|
| 1 | | 1 | Electrical system | |
| 2 | 861648 | 1 | * Electrical distribut | |
| 3 | 861681 | 1 | * Cardboard tube | |
| 4 | 873566 | 1 | * Fuse box | |
| 5 | 955142 | 1 | * Cross recessed screw | |
| 6 | 873765 | 2 | * Relay | |
| 7 | 948663 | 3 | * Flange screw | |
| 8 | 955780 | 3 | * Hexagon nut | |
| 9 | 952627 | 1 | * Clamp | |
| 10 | 881664 | 1 | * Wiring harness | |
| 11 | 955119 | 4 | * Cross recessed screw | |
| 12 | 952627 | 1 | * Clamp | |
| 13 | 969456 | 1 | * 6 point socket screw | |
| 14 | 960137 | 1 | * Washer | |
| 15 | 947191 | 1 | Clamp | For cabel to glow plug |
| 16 | 947107 | 1 | Flange screw | |
| 17 | 846648 | 1 | Extension cable'verl | L=3000mm |
| | 846649 | 1 | Extension cable'verl | L=5000mm |
| | 846650 | 1 | Extension cable'verl | L=7000mm |
| | 873838 | 1 | Extension cable'verl | L=9000mm |
| | 873839 | 1 | Extension cable'verl | L=11000mm |
| 18 | 3580269 | 2 | Screw | |
| 19 | 3944124 | 1 | Sensor | |
| 20 | 963684 | 1 | Hex. socket screw | |
| 21 | 948616 | 1 | Cable tie | |
| 22 | 948211 | 1 | Cable tie | |
| 23 | 1140598 | 1 | Distributing contact | For double steering positions. |
| 24 | | 1 | Sensor kit | |
| 25 | 3587359 | 1 | * Oil pressure sensor | |
| 26 | 11992 | 2 | * Gasket | |
| 27 | 3583575 | 1 | * Hollow screw | |
| 28 | 3808797 | 1 | Thermo monitor | |
| 29 | 3583569 | 1 | Temperature sensor | |
| 30 | 3583571 | 1 | Current bar | |
| 31 | 3583025 | 4 | Glow plug | |
| 32 | | 1 | Nut | |
| 33 | | 1 | Washer | |
| 34 | 3584127 | 1 | Stop solenoid | |
| 35 | 3580092 | 1 | Sealing ring | |
| 36 | 974673 | 1 | O-ring | |

D2-55A, D2-55B, D2-55C



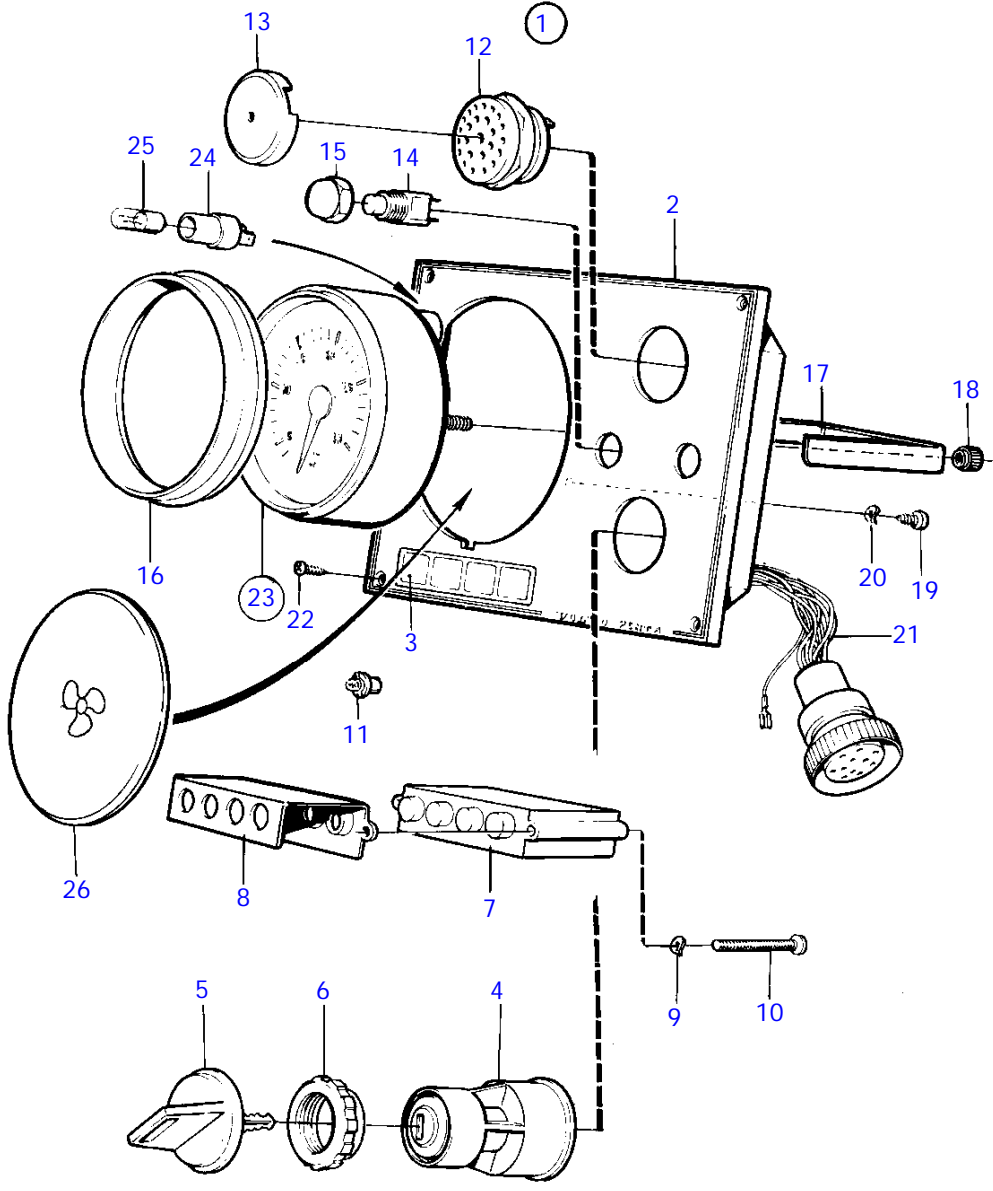
20351



D2-55A, D2-55B, D2-55C

| REF | PART NO. | QTY | DESCRIPTION | NOTES |
|-----|----------|-----|------------------------|---------------|
| 1 | 888565 | 1 | Instrument panel | |
| 2 | 872798 | 1 | * Instrument panel | |
| 3 | 858645 | 1 | * Symbol strip | |
| 4 | 843684 | 1 | * Button | |
| 5 | 837533 | 1 | * Rubber cap | |
| 6 | | 1 | * Diode | |
| 7 | 873737 | 1 | * Electronic unit | |
| 8 | 828784 | 4 | * Reflector | |
| 9 | 941904 | 3 | * Spring washer | |
| 10 | (941615) | 2 | * Cross recessed screw | Obsolete part |
| 11 | 19923 | 1 | * Bulb | 12V |
| 12 | 828587 | 1 | * Buzzer | |
| 13 | 858795 | 1 | * Protecting casing | |
| 14 | 3586251 | 1 | * Breaker | |
| 15 | 3586262 | 1 | * Decal | |
| | 828586 | 1 | * Nut | |
| 16 | 873517 | 1 | * Ring | |
| 17 | 873208 | 1 | * Brace kit | |
| 18 | | 2 | * Nut | |
| 19 | 949947 | 1 | * Cross recessed screw | |
| 20 | 948211 | 2 | * Cable tie | |
| 21 | 3586264 | 1 | * Wiring harness | |
| 22 | 828647 | 4 | * Screw | |
| 23 | 872800 | 1 | * Toggle switch | |
| 24 | 872771 | 1 | * Decal | |
| 25 | 858648 | 1 | Closure | Alt |
| 26 | 873992 | 1 | Tachometer kit | 4600 rpm |
| 27 | 863945 | 1 | * Lamp socket | |
| 28 | 863946 | 1 | * Bulb | 12V |

D2-55A, D2-55B, D2-55C



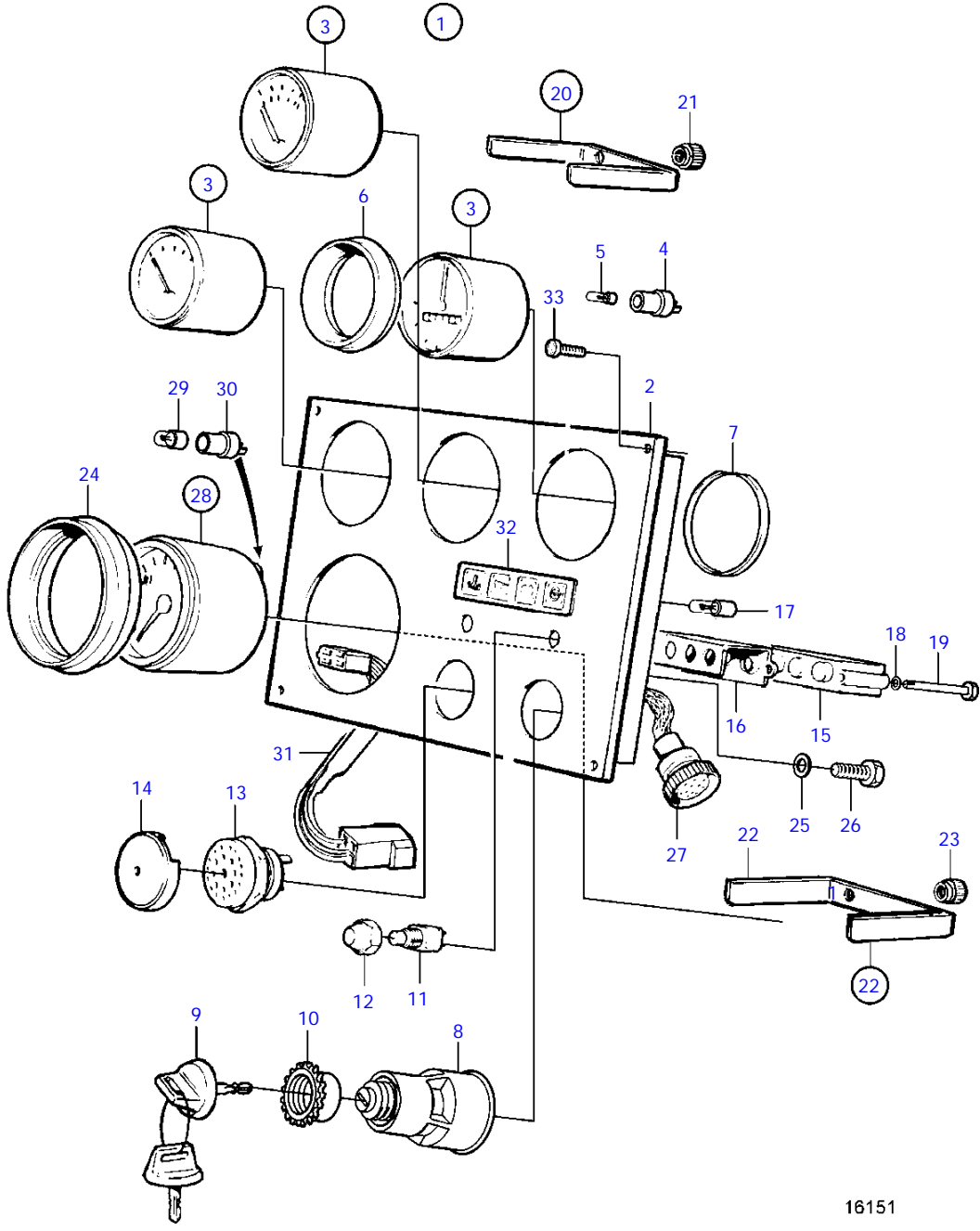
16147



D2-55A, D2-55B, D2-55C

| REF | PART NO. | QTY | DESCRIPTION | SEE SEC. | NOTES |
|-----|----------|-----|------------------------|----------|-------------------------------|
| 1 | 3587077 | 1 | Instrument panel | | (873593) |
| 2 | 860183 | 1 | * Instrument panel | | |
| 3 | 858645 | 1 | * Symbol strip | | |
| 4 | 3587072 | 1 | * Starter switch | | (864277) |
| 5 | 859953 | 2 | * * Key | | State key code when ordering. |
| | | | * Bulletin 49-30 | 49-30-EN | Key P/N 859953 |
| 6 | 859955 | 1 | * * Plastic nut | | |
| 7 | 873737 | 1 | * Electronic unit | | |
| 8 | 828784 | 1 | * Reflector | | |
| 9 | 941904 | 2 | * Spring washer | | |
| 10 | (941615) | 2 | * Cross recessed screw | | Obsolete part |
| 11 | 19923 | 4 | * Bulb | | 12V |
| 12 | 828587 | 1 | * Buzzer | | |
| 13 | 858795 | 1 | * Protecting casing | | |
| 14 | 828584 | 1 | * Toggle switch | | Alarm test |
| | 828585 | 1 | * Toggle switch | | Instr. light |
| 15 | 828586 | 2 | * Nut | | |
| 16 | 873517 | 1 | * Ring | | |
| 17 | 873208 | 1 | * Brace kit | | |
| 18 | | 2 | * * Nut | | |
| 19 | 949947 | 1 | * Cross recessed screw | | |
| 20 | 941904 | 1 | * Spring washer | | |
| 21 | 828648 | 1 | * Cable kit | | |
| 22 | 828647 | 4 | * Screw | | |
| 23 | 873998 | 1 | Tachometer kit | | |
| 24 | 863945 | 1 | * Lamp socket | | |
| 25 | 863946 | 1 | * Bulb | | 12V |
| 26 | 858648 | 1 | Closure | | Alt |

D2-55A, D2-55B, D2-55C



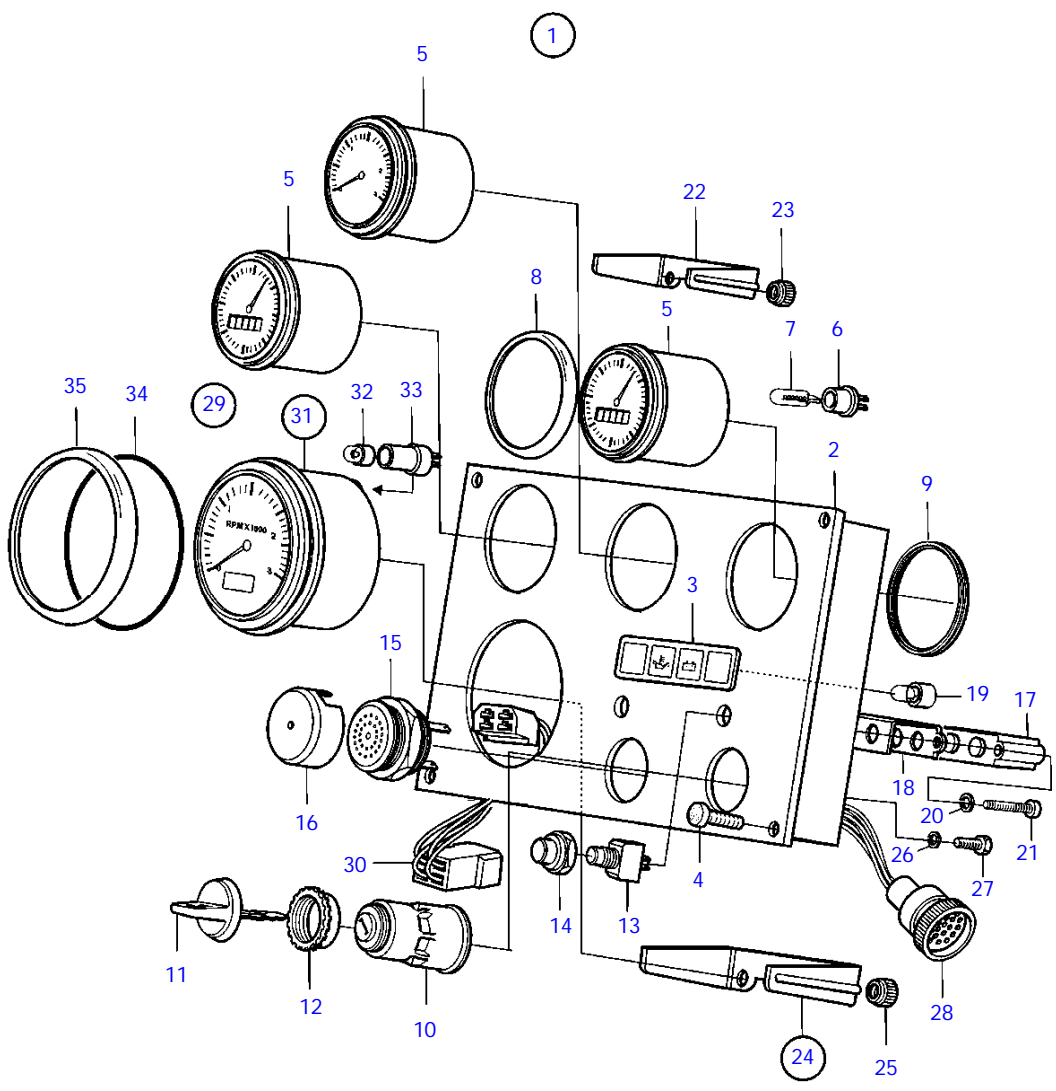
16151



D2-55A, D2-55B, D2-55C

| REF | PART NO. | QTY | DESCRIPTION | SEE SEC. | NOTES |
|-----|----------|-----|------------------------|----------|-------------------------------|
| 1 | 3587074 | 1 | Instrument panel | | (873590) |
| 2 | 860182 | 1 | * Instrument panel | | |
| 3 | 873195 | 1 | * Thermometer | | |
| | 873197 | 1 | * Oil pressure gauge | | |
| | 873199 | 1 | * Voltmeter | | |
| 4 | 863945 | 3 | * • Lamp socket | | |
| 5 | 863946 | 3 | * • Bulb | | |
| 6 | 858643 | 3 | * Front ring | | D=52mm |
| 7 | 828803 | 3 | * Guide ring | | |
| 8 | 3587072 | 1 | * Starter switch | | (864277) |
| 9 | 859953 | 2 | * • Key | | State key code when ordering. |
| | | | * Bulletin 49-30 | 49-30-EN | Key P/N 859953 |
| 10 | 859955 | 1 | * • Plastic nut | | |
| 11 | 828584 | 1 | * Toggle switch | | Test alarm |
| | 828585 | 1 | * Toggle switch | | Instr. light |
| 12 | 828586 | 2 | * Nut | | |
| 13 | 828587 | 1 | * Buzzer | | |
| 14 | 858795 | 1 | * Protecting casing | | |
| 15 | 873737 | 1 | * Electronic unit | | |
| 16 | 828784 | 1 | * Reflector | | |
| 17 | 19923 | 4 | * Bulb | | 12V |
| 18 | 941904 | 2 | * Spring washer | | |
| 19 | (941615) | 2 | * Cross recessed screw | | Obsolete part |
| 20 | 873207 | 3 | * Brace kit | | |
| 21 | | 6 | * • Nut | | |
| 22 | 873208 | 1 | * Brace kit | | |
| 23 | | 2 | * • Nut | | |
| 24 | 873517 | 1 | * Ring | | D=72mm |
| 25 | 941904 | 1 | * Spring washer | | |
| 26 | 949947 | 1 | * Cross recessed screw | | |
| 27 | 828646 | 1 | * Cable trunk | | |
| 28 | 873992 | 1 | Tachometer kit | | 4600 rpm (876751) |
| 29 | 863946 | 1 | * Bulb | | |
| 30 | 863945 | 1 | * Lamp socket | | |
| 31 | 873567 | 1 | Diode cable | | |
| 32 | 858645 | 1 | Symbol strip | | |
| 33 | 828647 | 4 | Screw | | |

D2-55A, D2-55B, D2-55C

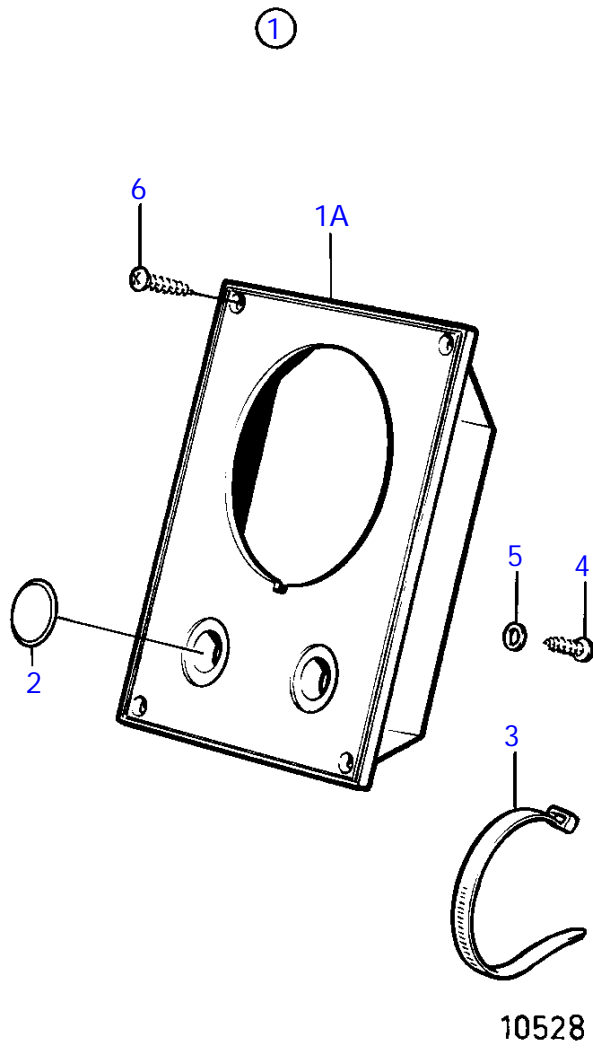


19866

D2-55A, D2-55B, D2-55C

| REF | PART NO. | QTY | DESCRIPTION | SEE SEC. | NOTES |
|-----|----------|-----|------------------------|----------|-------------------------------|
| 1 | 3587075 | 1 | Instrument panel | | (873591) |
| 2 | 860182 | 1 | * Instrument panel | | |
| 3 | 858645 | 1 | * Symbol strip | | |
| 4 | 828647 | 4 | * Screw | | |
| 5 | 873196 | 1 | * Thermometer | | |
| | 873198 | 1 | * Oil pressure gauge | | |
| | 873200 | 1 | * Voltmeter | | |
| 6 | 863945 | 3 | * Lamp socket | | |
| 7 | 863947 | 3 | * Bulb | | |
| 8 | 858643 | 3 | * Front ring | | D=52mm |
| 9 | 828803 | 3 | * Guide ring | | |
| 10 | 3587072 | 1 | * Starter switch | | (864277) |
| 11 | 859953 | 2 | * Key | | State key code when ordering. |
| | | | * Bulletin 49-30 | 49-30-EN | Key P/N 859953 |
| 12 | 859955 | 1 | * Plastic nut | | |
| 13 | 828584 | 1 | * Toggle switch | | Test alarm |
| | 828585 | 1 | * Toggle switch | | Instr. light |
| 14 | 828586 | 2 | * Nut | | |
| 15 | 828587 | 1 | * Buzzer | | |
| 16 | 858795 | 1 | * Protecting casing | | |
| 17 | 873737 | 1 | * Electronic unit | | (873209) |
| 18 | 828784 | 1 | * Reflector | | |
| 19 | 828818 | 4 | * Bulb | | 24V |
| 20 | 941904 | 2 | * Spring washer | | |
| 21 | (941615) | 2 | * Cross recessed screw | | Obsolete part |
| 22 | 873207 | 3 | * Brace kit | | |
| 23 | | 6 | * Nut | | |
| 24 | 873208 | 1 | * Brace kit | | |
| 25 | | 2 | * Nut | | |
| 26 | 941904 | 1 | * Spring washer | | |
| 27 | 949947 | 1 | * Cross recessed screw | | |
| 28 | 828646 | 1 | * Cable trunk | | |
| 29 | 874496 | 1 | Tachometer kit | | |
| 30 | 874096 | 1 | * Cable | | |
| 31 | 874496 | 1 | * Tachometer kit | | 2600 rpm |
| 32 | 863947 | 1 | * Bulb | | 24V |
| 33 | 863945 | 1 | * Lamp socket | | |
| 34 | 873232 | 1 | * O-ring | | |
| | 883232 | 1 | * Carton | | |
| 35 | 873683 | 1 | * Ring | | |

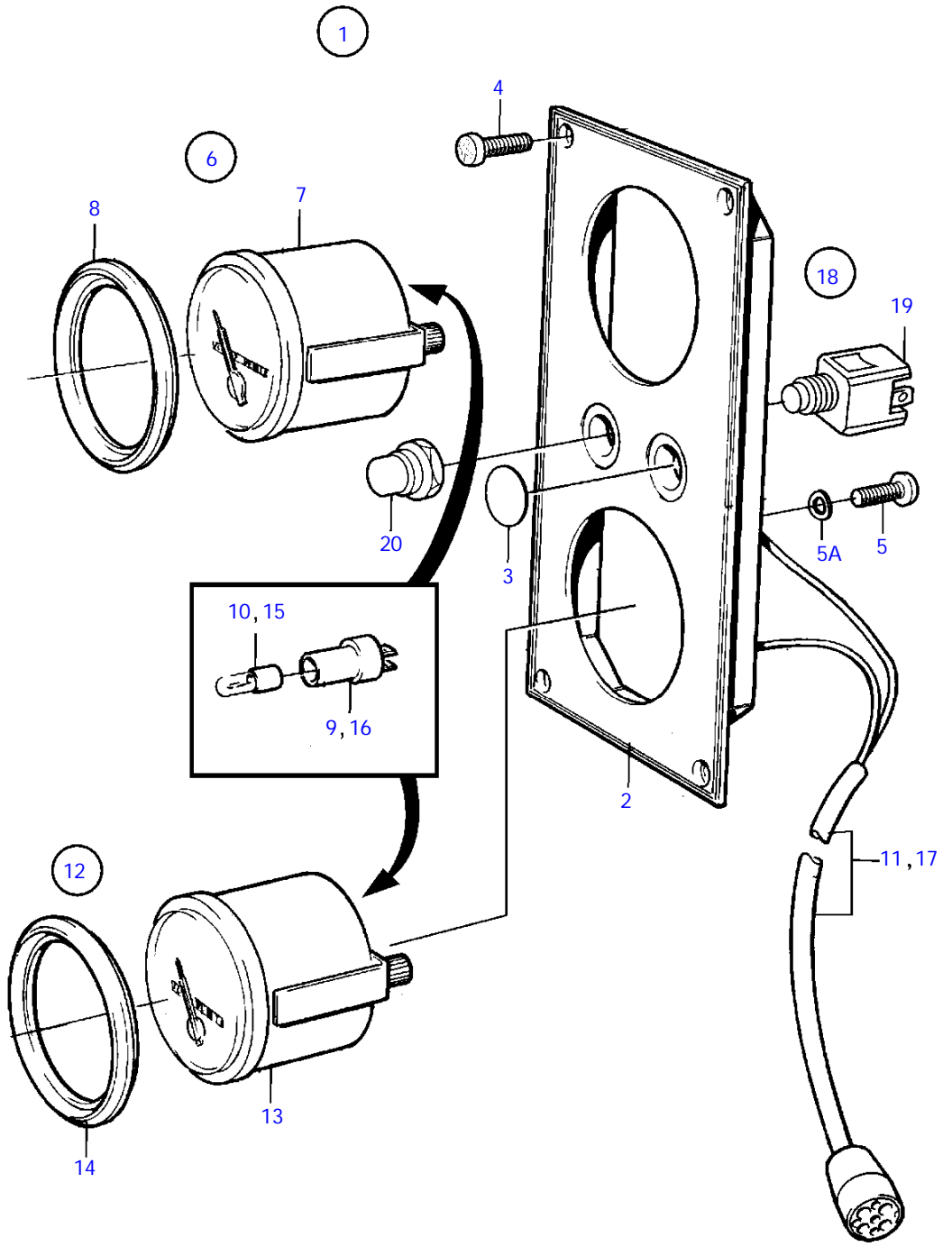
D2-55A, D2-55B, D2-55C



D2-55A, D2-55B, D2-55C

| REF | PART NO. | QTY | DESCRIPTION | NOTES |
|-----|----------|-----|------------------------|---|
| 1 | (858873) | 1 | Instrument panel | For instruments with D=52mm., Obsolete part |
| 1A | (858649) | 1 | * Instrument panel | Obsolete part, Replaced by 858873 |
| 2 | 828607 | 2 | * Cover plate | |
| 3 | 949666 | 1 | * Cable tie | |
| 4 | 949947 | 1 | * Cross recessed screw | |
| 5 | 941904 | 1 | * Spring washer | |
| 6 | 828647 | 4 | * Screw | |

D2-55A, D2-55B, D2-55C

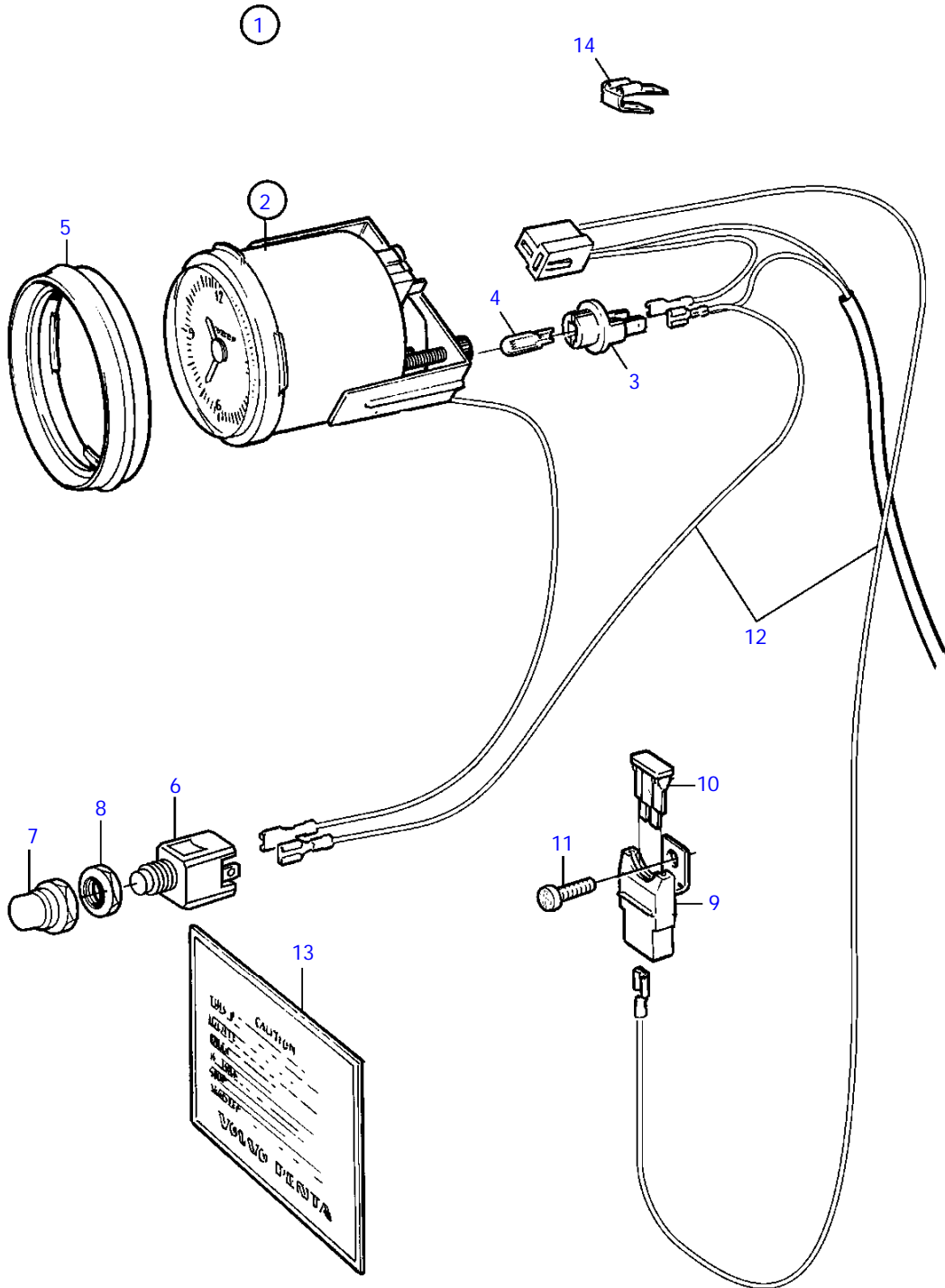


18577

D2-55A, D2-55B, D2-55C

| REF | PART NO. | QTY | DESCRIPTION | SEE SEC. | NOTES |
|-----|-----------|-----|------------------------|----------|---|
| 1 | (858874) | 1 | Instrument panel | | For instruments with D=52mm., Obsolete part |
| 2 | | 1 | * Instrument panel | | |
| 3 | 828607 | 2 | * Cover plate | | |
| 4 | 828647 | 4 | * Screw | | |
| 5 | 949947 | 1 | * Cross recessed screw | | |
| 5A | 941904 | 1 | * Spring washer | | |
| 6 | (1140464) | 1 | Hour recorder | | Obsolete part |
| 7 | 872479 | 1 | * Hour recorder | | |
| 8 | 858643 | 1 | * Front ring | | |
| 9 | 808175 | 1 | * Lamp socket | | |
| 10 | 19923 | 1 | * Bulb | | |
| 11 | | X | * electrical materials | 1963 | |
| 12 | (858878) | 1 | Voltmeter kit | | Obsolete part |
| 13 | 873199 | 1 | * Voltmeter | | |
| 14 | 858643 | 1 | * Front ring | | |
| 15 | 19923 | 1 | * Bulb | | |
| 16 | 808175 | 1 | * Lamp socket | | |
| 17 | | X | * electrical materials | 1963 | |
| 18 | (828718) | 1 | Toggle switch | | Spring loaded., Obsolete part |
| | (828719) | 1 | Toggle switch | | On/Off, Obsolete part |
| 19 | 828584 | 1 | * Toggle switch | | For 828718 |
| | 828585 | 1 | * Toggle switch | | For 828719 |
| 20 | 828586 | 1 | * Nut | | |

D2-55A, D2-55B, D2-55C

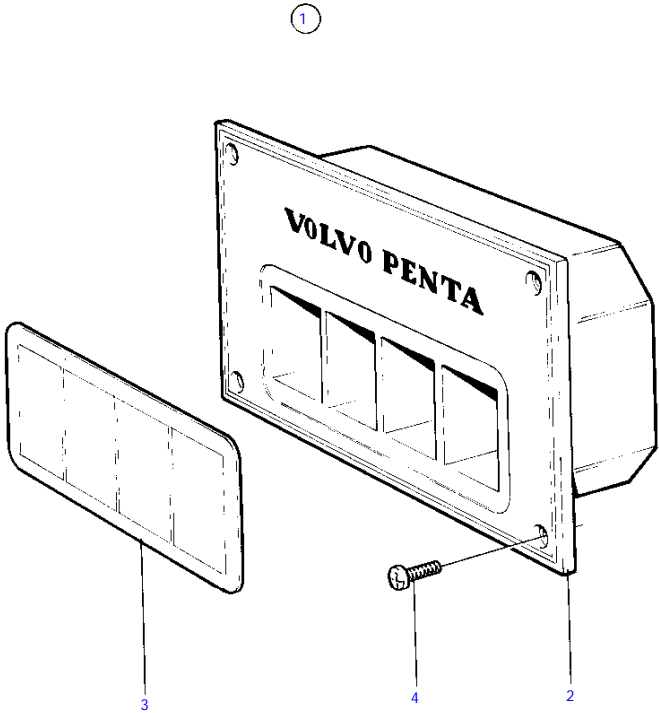


18576

| |
|------------------------|
| D2-55A, D2-55B, D2-55C |
|------------------------|

| REF | PART NO. | QTY | DESCRIPTION | NOTES |
|-----|----------|-----|------------------------|-------------|
| 1 | 1140597 | 1 | Clock kit | |
| 2 | 856814 | 1 | * Clock | |
| 3 | 863945 | 1 | * * Lamp socket | |
| 4 | 863946 | 1 | * * Bulb | |
| 5 | 858643 | 1 | * Front ring | |
| 6 | 828584 | 1 | * Toggle switch | |
| 7 | 828586 | 1 | * Nut | |
| 8 | 872407 | 1 | * Hexagon nut | |
| 9 | 1323312 | 1 | * Insulator | |
| 10 | 981405 | 1 | * Fuse | |
| 11 | 972070 | 1 | * 6 point socket screw | 3A (969115) |
| 12 | 872492 | 1 | * Cable kit | |
| 13 | 841242 | 1 | * Label | |
| 14 | 943950 | 1 | * Switch | |

D2-55A, D2-55B, D2-55C

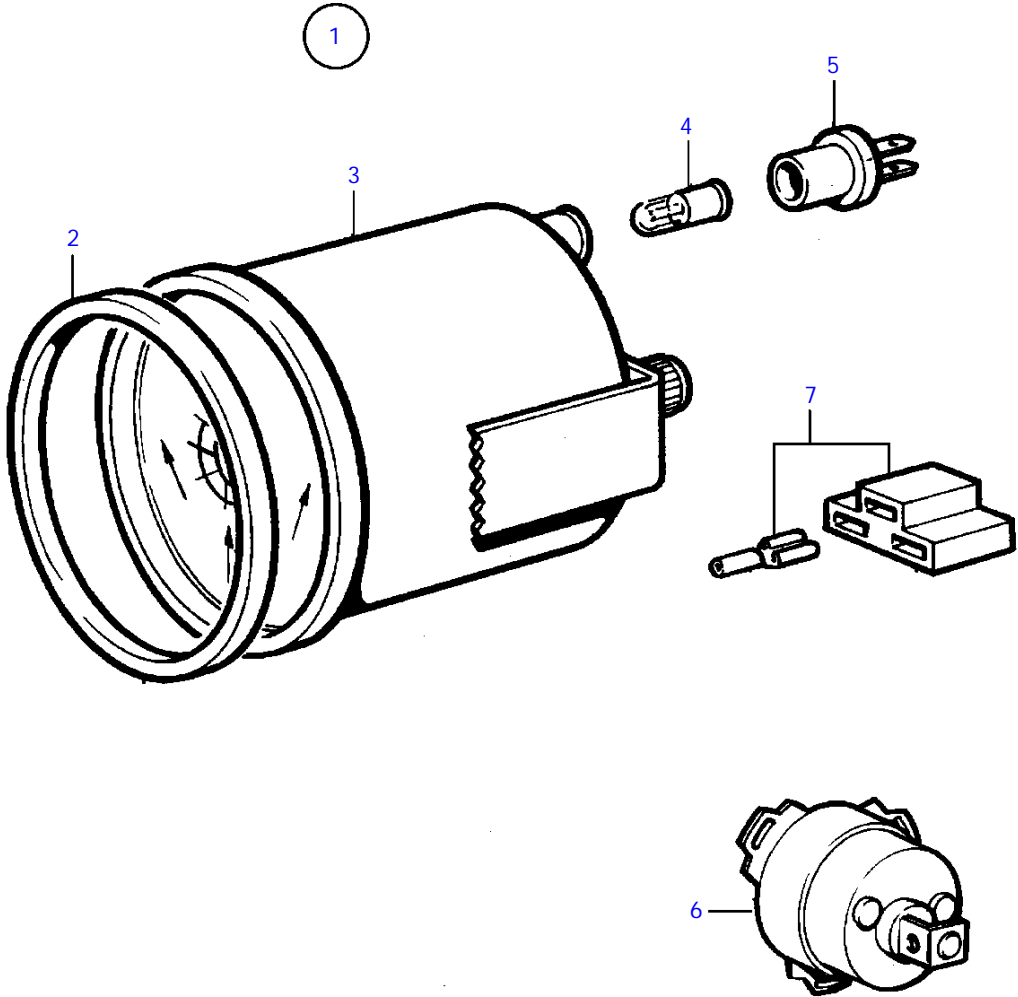


6710

D2-55A, D2-55B, D2-55C

| REF | PART NO. | QTY | DESCRIPTION |
|-----|----------|-----|----------------|
| 1 | 858876 | 1 | Symbol panel |
| 2 | | 1 | * Symbol panel |
| 3 | 858645 | 1 | * Symbol strip |
| 4 | 828647 | 4 | * Screw |

D2-55A, D2-55B, D2-55C

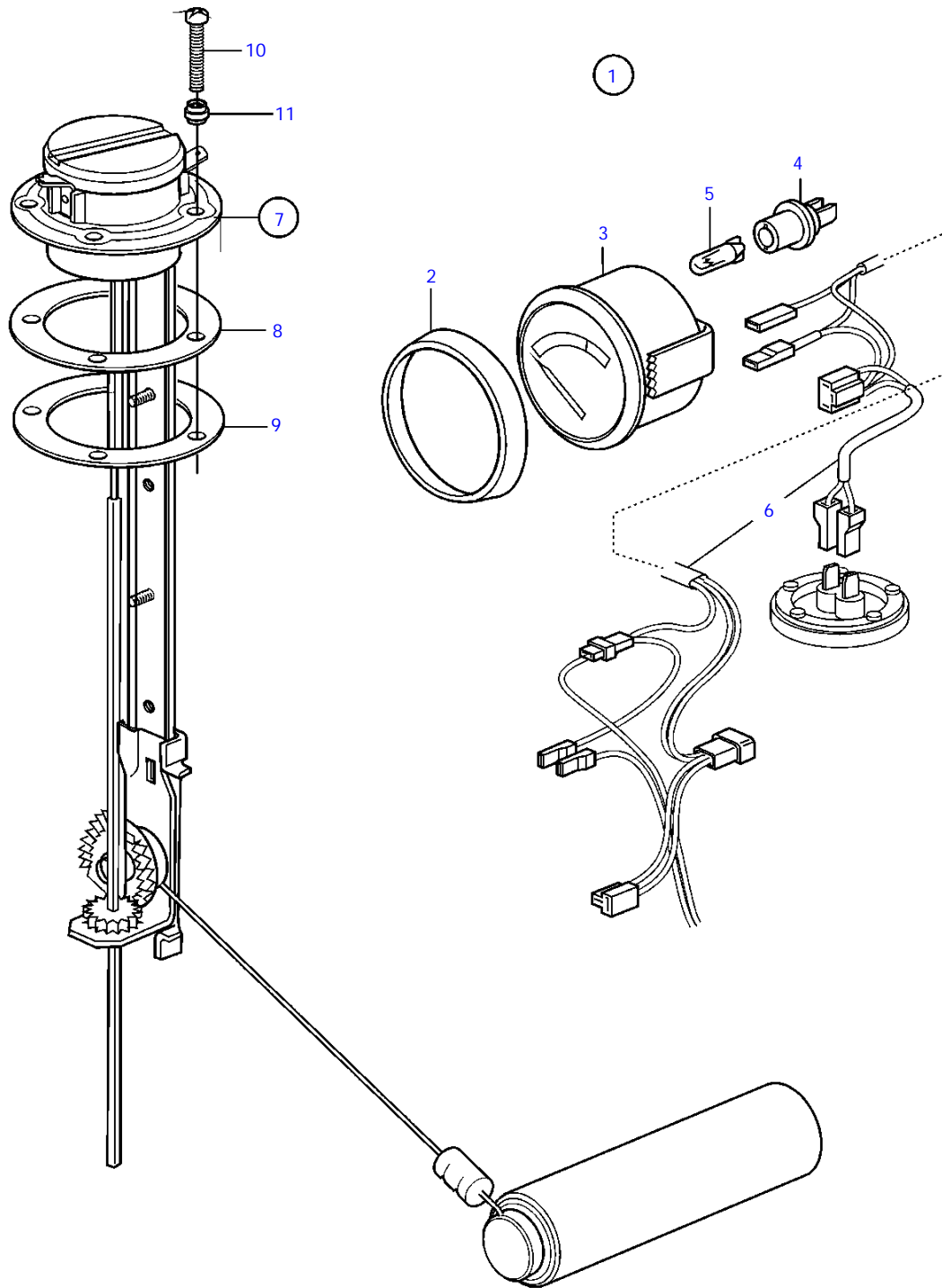


18581

D2-55A, D2-55B, D2-55C

| REF | PART NO. | QTY | DESCRIPTION | SEE SEC. | NOTES |
|-----|----------|-----|------------------------|----------|---|
| 1 | 1140465 | 1 | Rudder indicator kit | | |
| 2 | 858643 | 1 | • Front ring | | |
| 3 | 863944 | 1 | • Rudder indicator | | |
| 4 | 863946 | 1 | • • Bulb | | |
| 5 | 863945 | 1 | • • Lamp socket | | For instrument 828698 should white bulb 19923 and socket 808175 be mounted. |
| 6 | 837772 | 1 | • Position sensor | | |
| 7 | | X | • electrical materials | 1963 | |

D2-55A, D2-55B, D2-55C

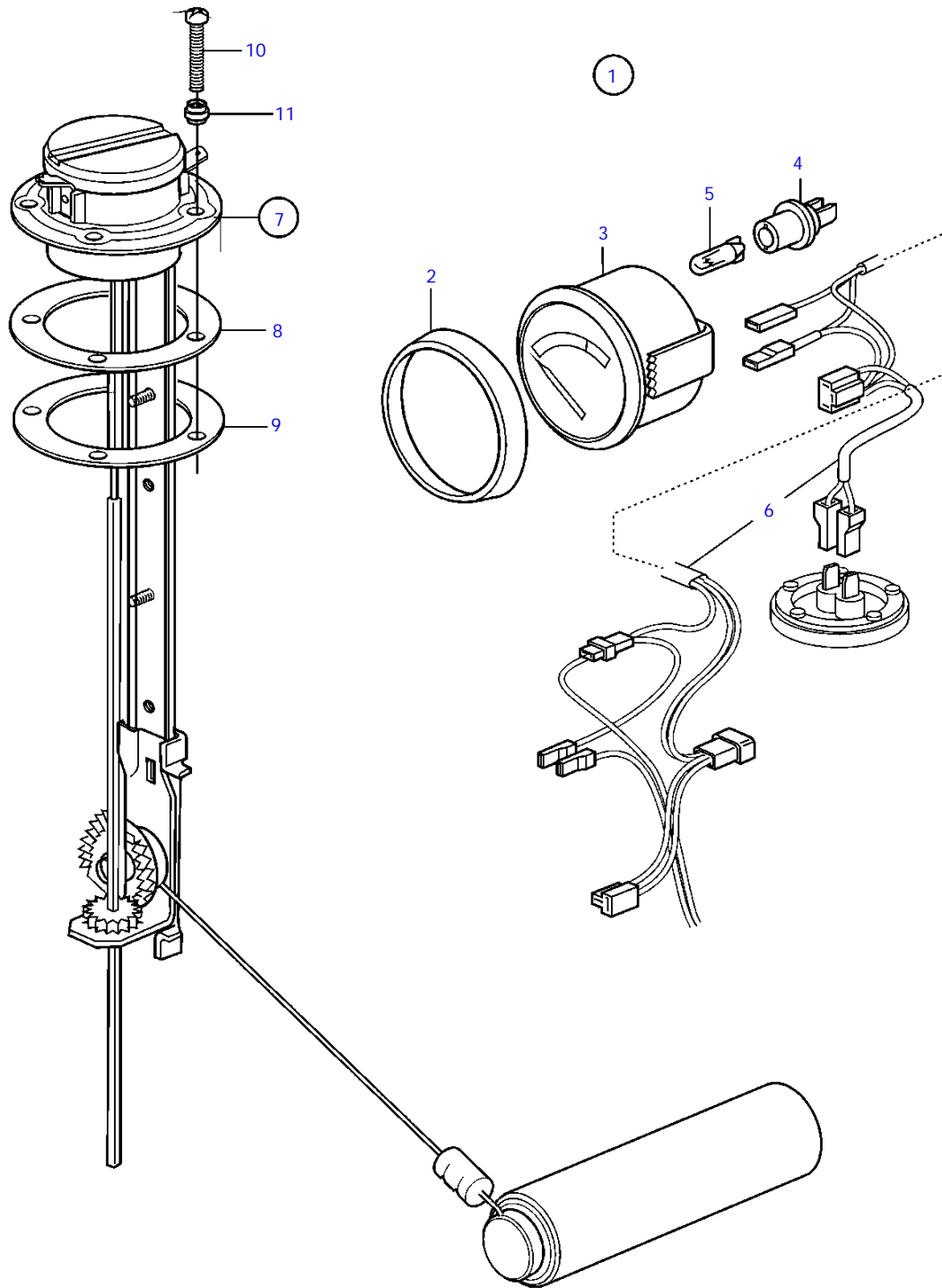


22912

D2-55A, D2-55B, D2-55C

| REF | PART NO. | QTY | DESCRIPTION | NOTES |
|-----|----------|-----|--------------------------|---|
| 1 | 873808 | 1 | Fuel gauge | 12V (858879) |
| 2 | 858643 | 1 | * Front ring | |
| 3 | 863940 | 1 | * Fuel gauge | |
| 4 | 863945 | 1 | * • Lamp socket | Use white bulb 19923 and socket 808175 for earlier gauges. |
| 5 | 863946 | 1 | * • Bulb | Use white bulb 19923 and socket 808175 for earlier gauges., 12V, 1,2W red |
| 6 | 856867 | 1 | * Cable kit | |
| 7 | 873772 | 1 | * Tank sensor | (837999) |
| 8 | 89865 | 1 | * • Gasket | |
| 9 | 834480 | 1 | * • Flange | |
| 10 | 969407 | 4 | * • 6 point socket screw | (956078) |
| | 969409 | 1 | * • 6 point socket screw | |
| 11 | 834481 | 5 | * • Gasket | |

D2-55A, D2-55B, D2-55C

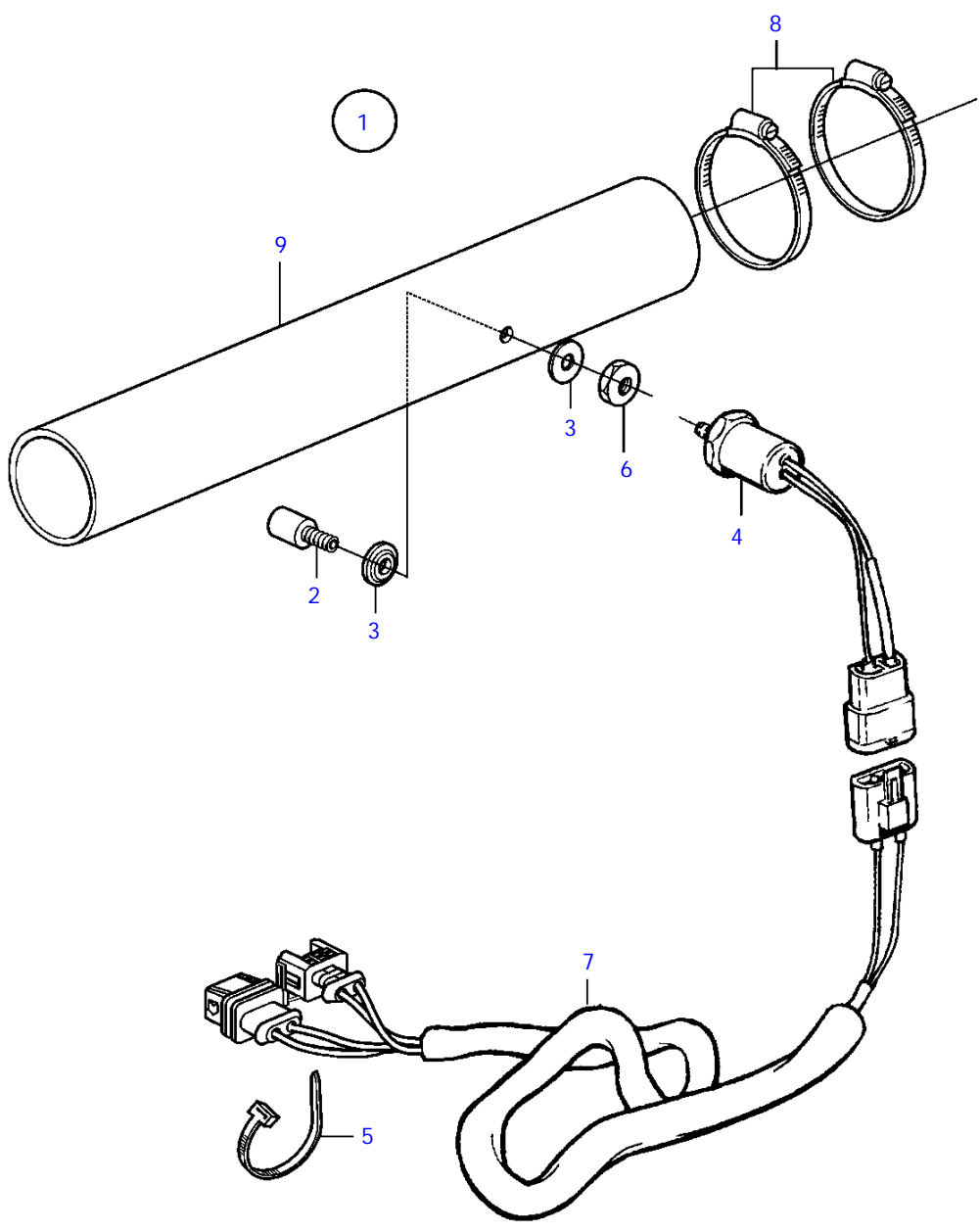


22912

D2-55A, D2-55B, D2-55C

| REF | PART NO. | QTY | DESCRIPTION | NOTES |
|-----|-----------|-----|--------------------------|---|
| 1 | (1140462) | 1 | Water level gauge ki | 12V (858881), Obsolete part |
| 2 | 858643 | 1 | * Front ring | |
| 3 | 863942 | 1 | * Water level gauge | |
| 4 | 863945 | 1 | * * Lamp socket | Use white bulb 19923 and socket 808175 for earlier gauges. |
| 5 | 863946 | 1 | * * Bulb | Use white bulb 19923 and socket 808175 for earlier gauges., 12V, 1,2W red |
| 6 | | 1 | * Cable kit | |
| 7 | 834389 | 1 | * Tank sensor | |
| 8 | 89865 | 1 | * * Gasket | |
| 9 | 834480 | 1 | * * Flange | |
| 10 | 969407 | 4 | * * 6 point socket screw | (956078) |
| | 969409 | 1 | * * 6 point socket screw | |
| 11 | 834481 | 5 | * * Gasket | |

D2-55A, D2-55B, D2-55C



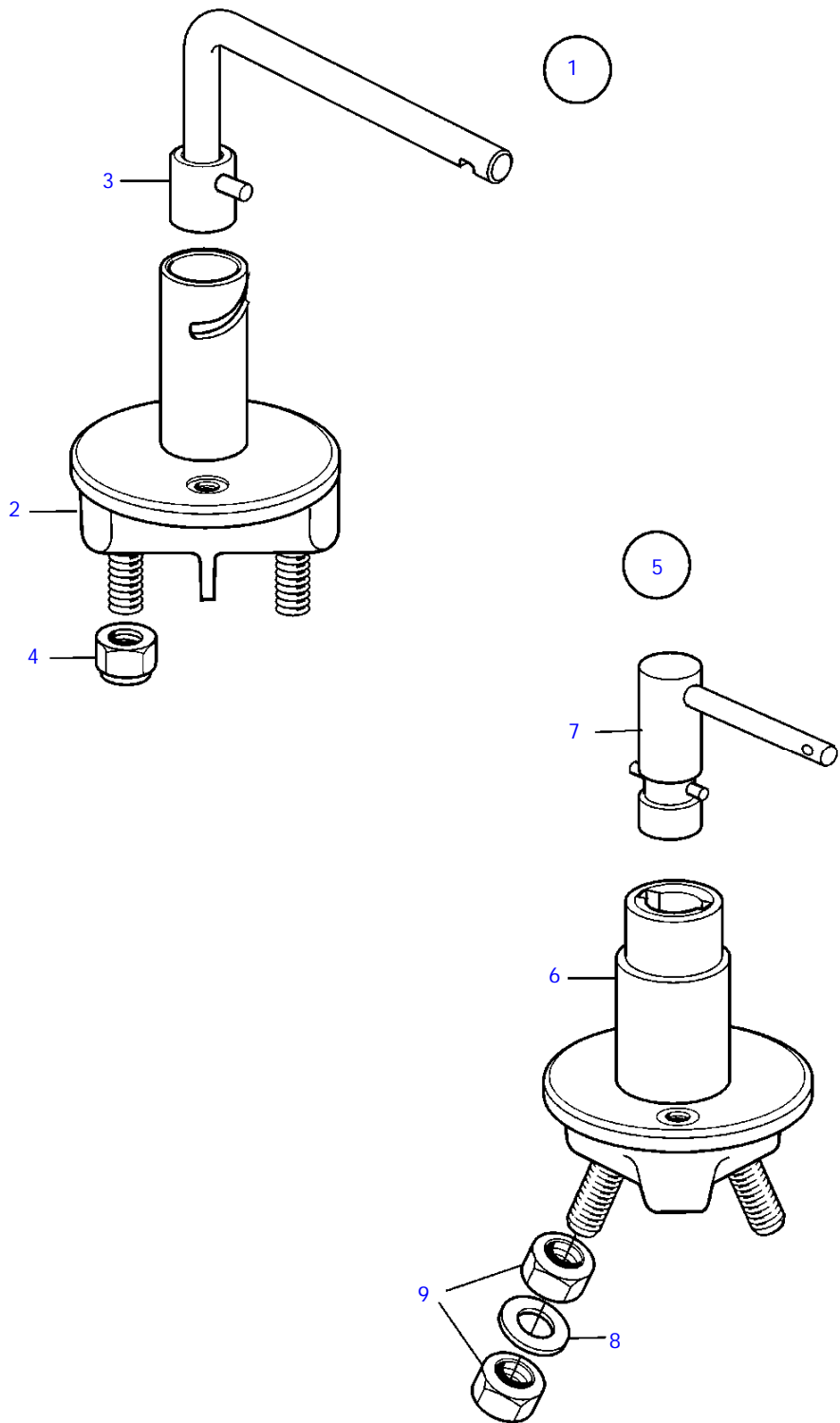
18978



D2-55A, D2-55B, D2-55C

| REF | PART NO. | QTY | DESCRIPTION | SEE SEC. | NOTES |
|-----|----------|-----|---|----------|----------|
| 1 | 877773 | 1 | Exhaust temperature | | (828762) |
| 2 | 828749 | 1 | * Sensor | | |
| 3 | 828776 | 2 | * Washer | | |
| 4 | 828761 | 1 | * Thermo monitor | | 80°C |
| 5 | 948211 | 5 | * Cable tie | | |
| 6 | 828750 | 1 | * Nut | | |
| 7 | 828813 | 1 | * Cable trunk * * cables and terminals | 1963 | |
| 8 | 961671 | X | Hose clamp | | |
| 9 | 1140665 | X | Exhaust hose | | |

D2-55A, D2-55B, D2-55C, D2-55D, D2-55E, D2-55F



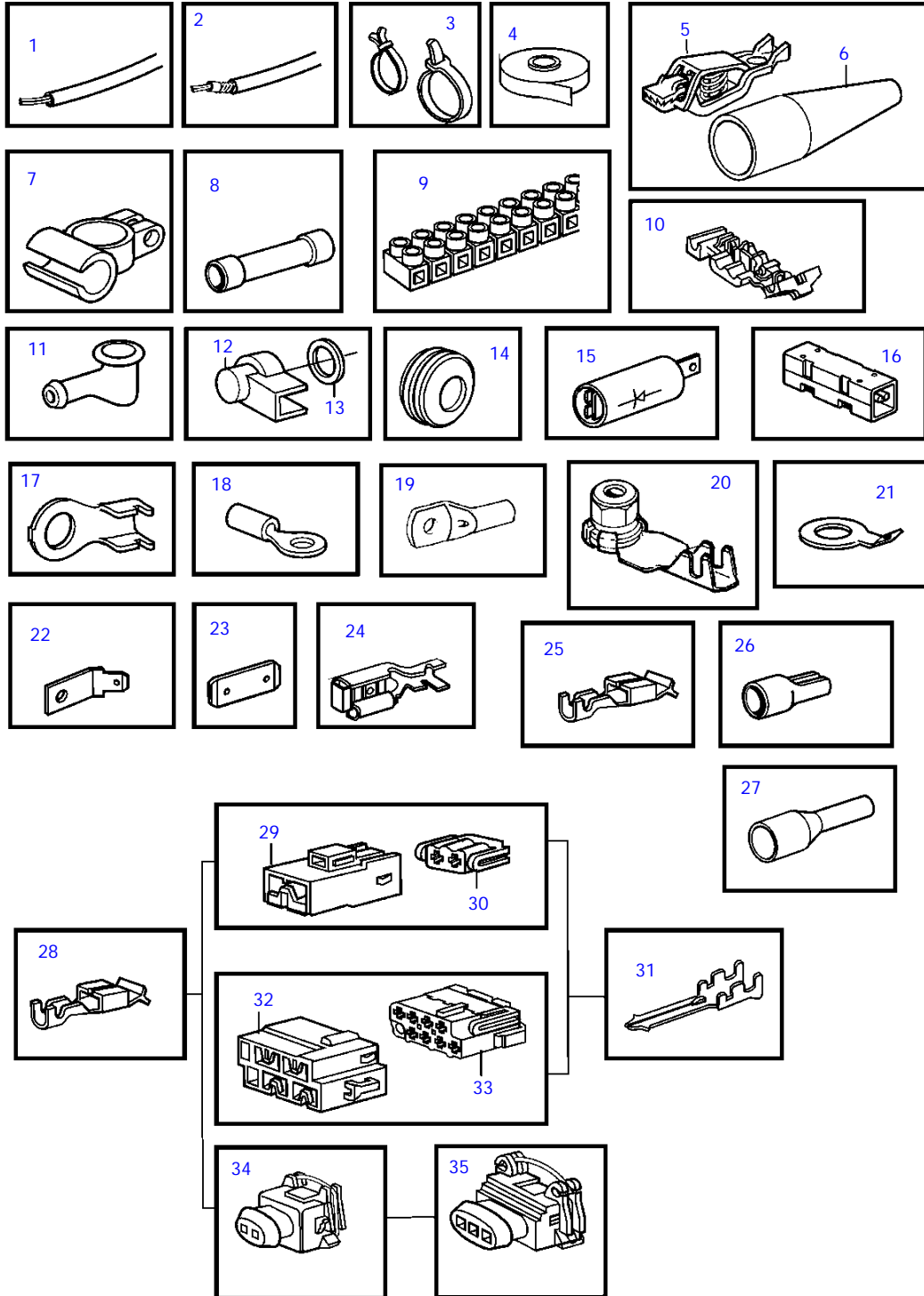
18584



D2-55A, D2-55B, D2-55C, D2-55D, D2-55E, D2-55F

| REF | PART NO. | QTY | DESCRIPTION | NOTES |
|-----|----------|-----|---------------------|---------------------|
| 1 | 870980 | 1 | Main switch | Replaced by 1140319 |
| 2 | | 1 | * Switch | |
| 3 | 243700 | 1 | * Handle | Replaced by 1140319 |
| 4 | 971071 | 2 | * Hexagon nut | |
| 5 | 1140319 | 1 | Battery main switch | |
| 6 | | 1 | * Switch | |
| 7 | 1140427 | 1 | * Cock handle | |
| 8 | 1140428 | 2 | * Washer | |
| 9 | 17602 | 4 | * Hexagon nut | |

D2-55A, D2-55B, D2-55C, D2-55D, D2-55E, D2-55F

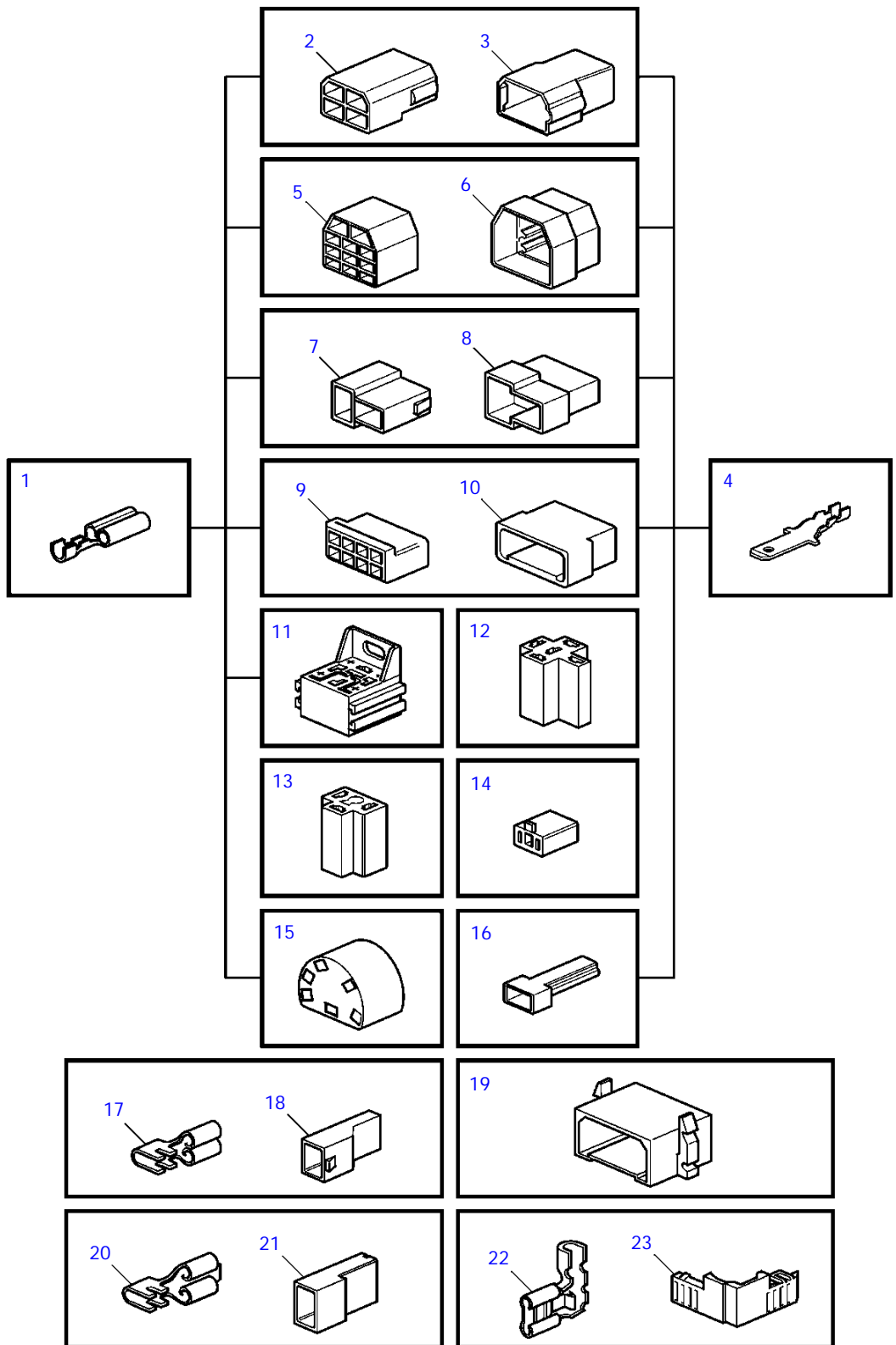


18567

D2-55A, D2-55B, D2-55C, D2-55D, D2-55E, D2-55F

| REF | PART NO. | DESCRIPTION | NOTES |
|-----|-----------|-------------------------------------|--|
| 1 | 970624 | Electric cable, type RK | 1,5mm ² , black |
| | 970626 | Electric cable, type RK | 1,5mm ² , red |
| | 970661 | Electric cable, type R2 | 1,5mm ² , red |
| | (970663) | Electric cable, type R2 | Obsolete part, 2,5mm ² , black |
| | 970698 | Electric cable, type R2 | 2,5mm ² , red |
| | 970700 | Electric cable, type RK | 4,0mm ² , black |
| | (970709) | Electric cable, type RK | Obsolete part, 6,0mm ² , black |
| | 970711 | Electric cable, type R2 | 6,0mm ² , red |
| | 954485 | Electric cable, type RK | 16,0mm ² , red |
| | (954500) | Electric cable, type RK | Obsolete part, 25,0mm ² , red |
| | 954502 | Electric cable, type RK | 35,0mm ² , red |
| 2 | 874854 | Power cable | Non reinforced ship cable approved by classification societies., 2x1,5mm ² |
| | (863657) | Cable | Obsolete part, Reinforced ship cable approved by classification societies., 4,0mm ² , red |
| | 874855 | Power cable | Non reinforced ship cable approved by classification societies., 2x2,5mm ² |
| | (842092) | Cable | Obsolete part, Non reinforced ship cable approved by classification societies., 3x1,5mm ² |
| | (874858) | Power cable | Obsolete part, Non reinforced ship cable approved by classification societies., 6,0mm ² , black |
| | (842090) | Cable | Obsolete part, Non reinforced ship cable approved by classification societies., 16,0mm ² , red |
| | 874861 | Power cable | Non reinforced ship cable approved by classification societies., 25,0mm ² , red |
| | 874862 | Power cable | Non reinforced ship cable approved by classification societies., 35,0mm ² , red |
| | 846639 | Electric cable | Non reinforced ship cable approved by classification societies., 2x1,5mm ² |
| | 874870 | Power cable | Non reinforced ship cable approved by classification societies., 2x1,5mm ² |
| | 872679 | Wiring harness | (846346) |
| | 872939 | Adapter | (846346) |
| | (874346) | Electric cable | Obsolete part, Reinforced ship cable approved by classification societies., RFOU 0,6/1kv |
| 3 | 948211 | Cable tie | 3x1,5mm ² |
| | 949666 | Cable tie, with mount. Hole | 3x4,0mm ² |
| | 948616 | Cable tie | 3x6,0mm ² |
| | 862832 | Cable tie, steel | 4x1,5mm ² |
| 4 | 858283 | Tape | 4x2,5mm ² |
| 5 | 844280 | Clip, battery cable +pole | 16x1,5mm ² |
| 6 | (844278) | Isolation | Obsolete part, Red |
| | (844279) | Isolation | Obsolete part, Black |
| 7 | 954505 | Cable terminal, battery cable -pole | D=77mm L=280mm |
| | 954506 | Cable terminal, battery cable +pole | D=42mm L=170mm |
| 8 | 956956 | Splice | D=102mm L=362mm |
| | 956958 | Splice | 1,5-2,5mm ² , blue |
| | 956960 | Splice | L=61mm |
| 9 | 926219 | Coupling piece | Black |
| 10 | 944306 | Connector | Blue |
| 11 | 829200 | Protective cap | 0,5-1,0mm ² , red |
| 12 | (1234326) | Protecting casing | Obsolete part, 1,5-2,5mm ² , blue |
| 13 | 960140 | Washer | 3-6mm ² , yellow |
| 14 | 941269 | Plug | Max 20mm ² , 12-pole |
| | 821053 | Protecting bushing | I.D=35mm |
| | 943920 | Plug | I.D=40mm |
| 15 | | Diode | |
| 16 | | Diode | |
| 17 | 970788 | Cable terminal | M5x1,1-2,5mm ² |
| | 970789 | Cable terminal | M6x1,1-2,5mm ² |
| | (970791) | Cable terminal | Obsolete part, M10x1,1-2,5mm ² |
| 18 | 881492 | Cable terminal | M4x1,1-2,5mm ² |
| | 881493 | Cable terminal | M5x1,1-2,5mm ² |
| | 881508 | Cable terminal | M6x1,1-2,5mm ² |
| | 881494 | Cable terminal | M8x1,1-2,5mm ² |
| | 881504 | Cable terminal | M10x1,1-2,5mm ² |
| | 881506 | Cable terminal | M4x2,6-6,0mm ² |
| | 881495 | Cable terminal | M5x2,6-6,0mm ² |
| | 881496 | Cable terminal | M6x2,6-6,0mm ² |
| | 881497 | Cable terminal | M8x2,6-6,0mm ² |
| | 881498 | Cable terminal | M10x2,6-6,0mm ² |
| | 940331 | Cable terminal | M5x6,1-10,0mm ² |
| | 940332 | Cable terminal | M6x6,1-10,0mm ² |
| | 940333 | Cable terminal | M8x6,1-10,0mm ² |
| | (940334) | Cable terminal | Obsolete part, M10x6,1-10,0mm ² |
| | 881512 | Cable terminal | M5x10,1-16,0mm ² |
| | 940335 | Cable terminal | M6x10,1-16,0mm ² |
| | 940336 | Cable terminal | M8x10,1-16,0mm ² |
| | 940337 | Cable terminal | M10x10,1-16,0mm ² |
| 19 | 949587 | Cable terminal | M10x10mm ² |
| 20 | 8140576 | Nut | M4 |
| 21 | 865758 | Cable terminal | I.D=12,5 D=23mm |
| 22 | 944485 | Cable terminal | 6,3xM5x180 |
| 23 | 839328 | Tab | 16,3x6,3x0,8 |
| 24 | 881491 | Cable terminal | 6,3x0,75-2,1mm ² |
| 25 | 853015 | Cable terminal | For trim instrument., For 853866, Yasaki |
| 26 | 942429 | Cable terminal | For 853866, Yasaki |
| 27 | 3829867 | Cable terminal | |
| | 3829868 | Cable terminal | |
| 28 | 970777 | Cable terminal | |
| 29 | 968377 | Housing | 2,8x2 natural |
| | 968379 | Housing | 2,8x2 gray |
| 30 | 968376 | Housing | 4,8/2,8x2 natural |
| | 968378 | Housing | 4,8/2,8x2 gray |
| 31 | 974313 | Cable terminal | 2,8x0,8x1,1-2,5mm ² |
| 32 | 968401 | Housing | 2,8x8 natural |
| 33 | 968400 | Housing | 4,8/2,8x8 natural |
| 34 | 976256 | Housing | 2-pole |
| 35 | 967713 | Housing | 3-pole |

D2-55A, D2-55B, D2-55C, D2-55D, D2-55E, D2-55F

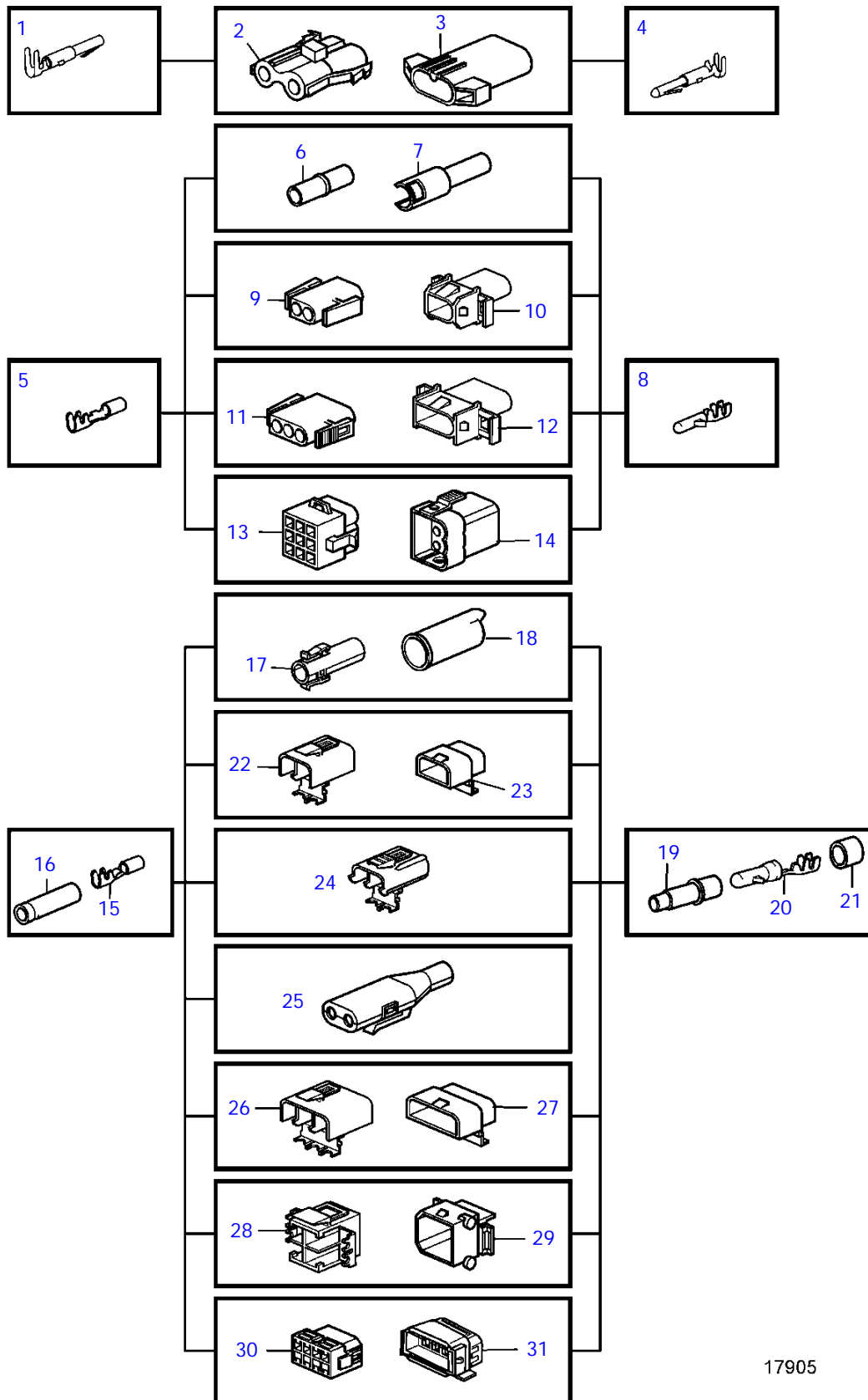


15819

D2-55A, D2-55B, D2-55C, D2-55D, D2-55E, D2-55F

| REF | PART NO. | DESCRIPTION | NOTES |
|-----|----------|--------------------|---------------------------------|
| 1 | 973150 | Cable terminal | 6,3x0,8x1,1-2,5mm ² |
| | 949206 | Cable terminal | 6,3x0,8x4,0-6,0mm ² |
| 2 | 948856 | Housing | 6,3x4 natural |
| 3 | 948855 | Housing | 6,3x4 natural |
| 4 | 973117 | Cable terminal | 6,3x0,8x0,5-1,0mm ² |
| | 881487 | Cable terminal | 6,3x0,8x0,75-2,5mm ² |
| | 881488 | Cable terminal | 6,3x0,8x4,0-6,0mm ² |
| 5 | 945830 | Housing | 6,3x11 natural |
| 6 | 945831 | Tab housing | 6,3x11 natural |
| 7 | 958210 | Housing | 6,3x2 black |
| 8 | 958209 | Housing | 6,3x2 black |
| 9 | 944076 | Housing | 6,3x8 natural |
| 10 | 948857 | Housing | 6,3x8 natural |
| 11 | 977184 | Housing | 6,3x5x4,8/2,8x4 |
| 12 | 1214948 | Housing | 6,3x5 black |
| 13 | 945469 | Housing | 6,3x3 black |
| 14 | 1578937 | Housing | 6,3x2 natural |
| 15 | 828624 | Receptacle housing | 6,3x6 |
| 16 | | Housing | 6,3x1 black |
| 17 | 949405 | Cable terminal | 4,8x1,1-2,5mm ² |
| 18 | 947848 | Housing | 4,8x1 natural |
| 19 | 944077 | Housing | 6,3x8 natural |
| 20 | 881483 | Cable terminal | 6,3x0,8x1,1-2,5mm ² |
| | 881484 | Cable terminal | 6,3x0,8x4,0-6,0mm ² |
| 21 | 949597 | Housing | 6,3x1 natural |
| | 943511 | Housing | 6,3x1 natural |
| 22 | 881489 | Cable terminal | 6,3x0,8x1,1-2,5 |
| 23 | 944221 | Housing | 6,3x1 natural |

D2-55A, D2-55B, D2-55C, D2-55D, D2-55E, D2-55F

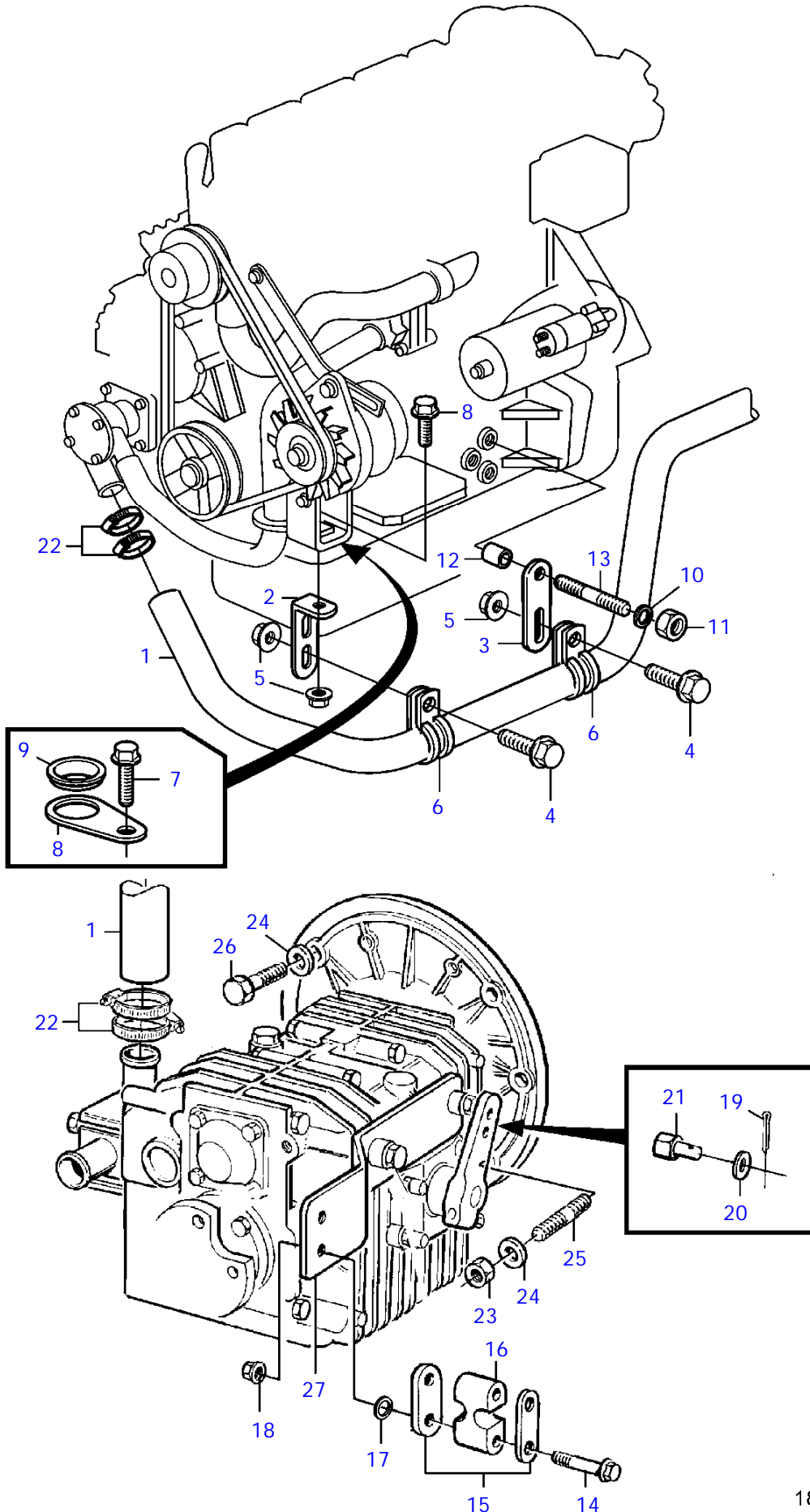


17905

D2-55A, D2-55B, D2-55C, D2-55D, D2-55E, D2-55F

| REF | PART NO. | DESCRIPTION | NOTES |
|-----|----------|----------------|--|
| 1 | 946038 | Cable terminal | 2,1x0,5-1mm ² |
| 2 | 944224 | Housing | 2-pole |
| 3 | 944223 | Housing | 2-pole |
| 4 | | Cable terminal | Not marketed by Volvo Penta., 2,1x0,5-1mm ² |
| 5 | 965822 | Cable terminal | 3,5x1,1-2,5mm ² |
| | 948289 | Cable terminal | 3,5x2,5-4,0mm ² |
| 6 | 949584 | Housing | 3,5x1 natural |
| 7 | 949583 | Housing | 3,5x1 natural |
| 8 | 969831 | Cable terminal | 3,5x0,5-1mm ² |
| | 965824 | Cable terminal | 3,5x1,1-2,5mm ² |
| | 965825 | Cable terminal | 3,5x2,6-4,0mm ² |
| 9 | 948996 | Housing | 3,5x2 natural |
| 10 | 948995 | Housing | 3,5x2 natural |
| 11 | 948296 | Housing | 3,5x3 natural |
| 12 | 948297 | Housing | 3,5x3 natural |
| 13 | 948294 | Housing | 3,5x9 natural |
| 14 | 948295 | Housing | 3,5x9 natural |
| 15 | 949371 | Cable terminal | 3,5x0,75-1,5mm ² |
| | 1598753 | Insulator | 3,5x2,5-4,5mm ² |
| 16 | 1598753 | Insulator | |
| 17 | 1307035 | Housing | 1-pole |
| 18 | 1308436 | Housing | 1-pole |
| 19 | 1608765 | Insulator | |
| 20 | 965824 | Cable terminal | 3,5x2,5-4,5mm ² |
| 21 | 1608766 | Seal | |
| 22 | 1307048 | Housing | 2-pole |
| 23 | 1307049 | Housing | 2-pole |
| 24 | 970753 | Housing | 2-pole |
| 25 | 1624477 | Housing | 2-pole |
| 26 | 1259828 | Housing | 3-pole |
| 27 | 3523442 | Pin housing | 3-polig (1259829) |
| 28 | 1259830 | Housing | 4-pole |
| 29 | 1259831 | Housing | 4-pole |
| 30 | 966812 | Housing | 8-pole |
| 31 | 967809 | Housing | 8-pole |

D2-55A, D2-55B, D2-55C, D2-55D, D2-55E, D2-55F

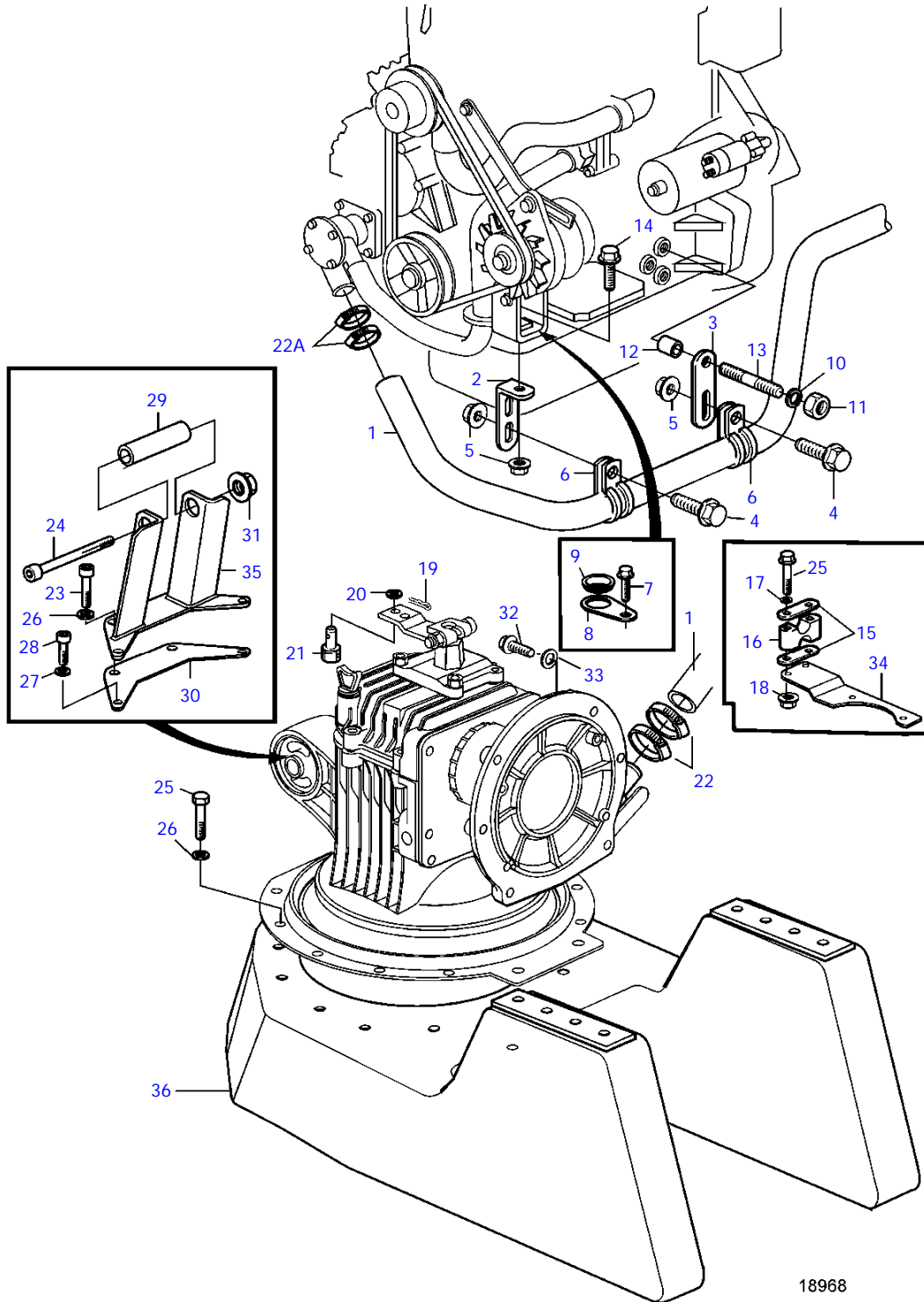


18967

D2-55A, D2-55B, D2-55C, D2-55D, D2-55E, D2-55F

| REF | PART NO. | QTY | DESCRIPTION | NOTES |
|-----|----------|-----|----------------------|--------------------------|
| 1 | 3583077 | 1 | Hose | For MS25L-A and MS25A-A |
| 2 | 965555 | 1 | Bracket | |
| 3 | 965535 | 1 | Bracket | |
| 4 | 946440 | 2 | Flange screw | |
| 5 | 945408 | 3 | Flange nut | |
| 6 | 949850 | 2 | Clamp | |
| 7 | 946671 | 1 | Flange screw | |
| 8 | 3580250 | 1 | Stay | |
| 9 | 3580251 | 1 | Grommet | |
| 10 | 845988 | 1 | Spacer sleeve | |
| 11 | 3583789 | 1 | Nut | |
| 12 | 3582401 | 1 | Adapler | |
| 13 | 924083 | 1 | Stud | |
| 14 | 969439 | 2 | 6 point socket screw | |
| 15 | 872076 | 2 | Washer | |
| 16 | 872074 | 1 | Retainer | |
| 17 | 940090 | 2 | Washer | |
| 18 | 949874 | 1 | Flange lock nut | |
| 19 | 17276 | 1 | Split pin | |
| 20 | 941906 | 1 | Spring washer | |
| 21 | 3852329 | 1 | Cube | |
| 22 | 943476 | 4 | Hose clamp | |
| 23 | 940157 | 3 | Hexagon nut | |
| 24 | 955896 | 6 | Washer | |
| 25 | 953288 | 3 | Stud | |
| 26 | 940134 | 3 | Hexagon screw | |
| 27 | | 1 | Bracket | See transmission catalog |

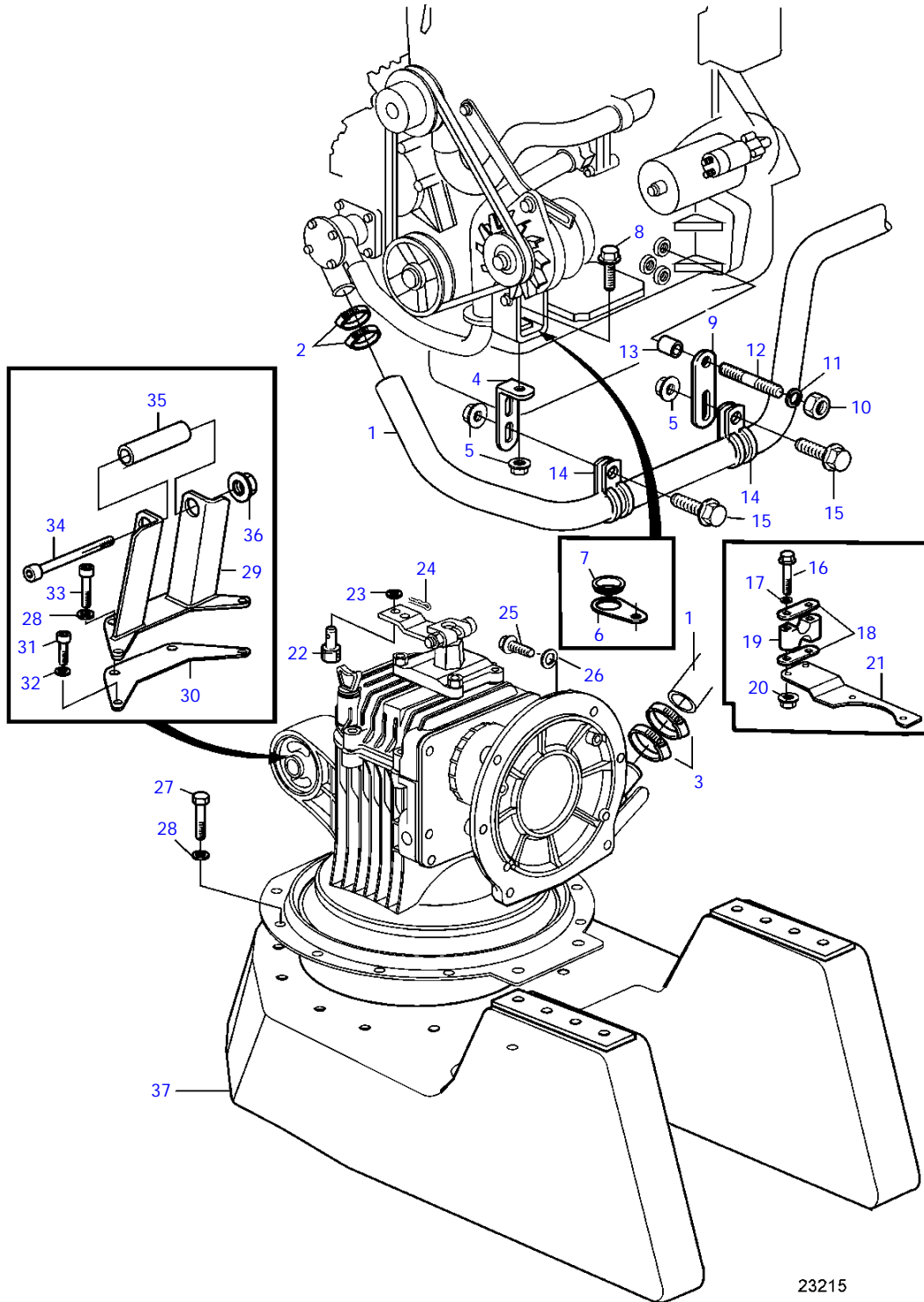
D2-55A, D2-55B, D2-55C, D2-55D, D2-55E, D2-55F



D2-55A, D2-55B, D2-55C, D2-55D, D2-55E, D2-55F

| REF | PART NO. | QTY | DESCRIPTION | NOTES |
|-----|----------|-----|----------------------|--------------------------|
| 1 | 3583076 | 1 | Hose | For S-drive MS25S/SR. |
| 2 | 965555 | 1 | Bracket | |
| 3 | 965535 | 1 | Bracket | |
| 4 | 946440 | 2 | Flange screw | |
| 5 | 945408 | 3 | Flange nut | |
| 6 | 949850 | 2 | Clamp | |
| 7 | 946671 | 1 | Flange screw | |
| 8 | | 1 | Stay | |
| 9 | | 1 | Grommet | |
| 10 | 845988 | 1 | Spacer sleeve | |
| 11 | 3583789 | 1 | Nut | |
| 12 | 3582401 | 1 | Adapler | |
| 13 | 924083 | 1 | Stud | |
| 14 | 969439 | 2 | 6 point socket screw | |
| 15 | 872076 | 2 | Washer | |
| 16 | 872074 | 1 | Retainer | |
| 17 | 940090 | 2 | Washer | |
| 18 | 949874 | 1 | Flange lock nut | (946577) |
| 19 | 17276 | 1 | Split pin | |
| 20 | 941906 | 1 | Spring washer | |
| 21 | 3852329 | 1 | Cube | |
| 22 | 961667 | 4 | Hose clamp | |
| 22A | 961669 | 4 | Hose clamp | |
| 23 | 943707 | 1 | Hose | |
| 24 | | 1 | Allen head screw | |
| 25 | 946730 | 8 | Hexagon screw | |
| 26 | 941670 | 10 | Washer | |
| 27 | 853095 | 2 | Washer | |
| 28 | | 2 | Allen head screw | |
| 29 | 963568 | 2 | Hexagon screw | |
| 30 | 3581556 | 1 | Spacer washer | |
| 31 | | 1 | Lock nut | |
| 32 | 940160 | 4 | Hexagon screw | |
| | 940160 | 4 | Hexagon screw | |
| 33 | 955896 | 4 | Washer | |
| 34 | | 1 | Bracket | See transmission catalog |
| 35 | 3841849 | 1 | Bracket | (3581160) |
| 36 | 3842285 | 1 | Engine bed | (3583120) |

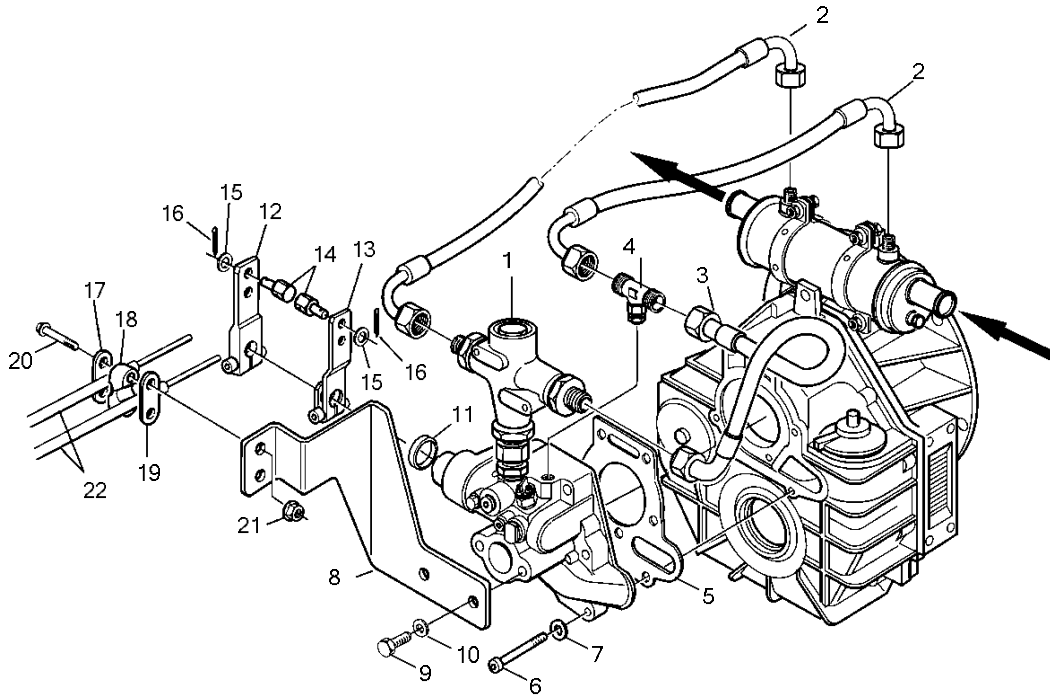
D2-55A, D2-55B, D2-55C, D2-55D, D2-55E, D2-55F



D2-55A, D2-55B, D2-55C, D2-55D, D2-55E, D2-55F

| REF | PART NO. | QTY | DESCRIPTION | NOTES |
|-----|-----------|-----|----------------------|--------------------------|
| 1 | 3583076 | 1 | Hose | For S-drive 130S/SR. |
| 2 | 961669 | 2 | Hose clamp | |
| 3 | 961667 | 2 | Hose clamp | |
| 4 | 965555 | 1 | Bracket | |
| 5 | 945408 | 3 | Flange nut | |
| 6 | | 1 | Stay | |
| 7 | | 1 | Grommet | |
| 8 | 946671 | 1 | Flange screw | |
| 9 | 965535 | 1 | Bracket | |
| 10 | 3583789 | 1 | Nut | |
| 11 | | 1 | Washer | |
| 12 | 924083 | 1 | Stud | |
| 13 | 3582401 | 1 | Adapler | |
| 14 | 949850 | 2 | Clamp | |
| 15 | 946440 | 2 | Flange screw | |
| 16 | 969439 | 2 | 6 point socket screw | |
| 17 | 940090 | 2 | Washer | |
| 18 | 872076 | 2 | Washer | |
| 19 | 872074 | 2 | Retainer | |
| 20 | 949874 | 2 | Flange lock nut | (946577) |
| 21 | | 1 | Bracket | See transmission catalog |
| 22 | (3582339) | 1 | Cable | Obsolete part |
| 23 | 941906 | 1 | Spring washer | |
| 24 | 17276 | 1 | Split pin | |
| 25 | 940160 | 4 | Hexagon screw | |
| 26 | 955896 | 4 | Washer | |
| 27 | 946730 | 8 | Hexagon screw | |
| 28 | 941670 | 10 | Washer | |
| 29 | 3841849 | 1 | Bracket | (3581160) |
| 30 | 3581556 | 1 | Spacer washer | |
| 31 | 963568 | 2 | Hexagon screw | |
| 32 | 853095 | 2 | Washer | |
| 33 | 959240 | 2 | Hex. socket screw | |
| 34 | | 1 | Hex. socket screw | |
| 35 | 943707 | 1 | Hose | |
| 36 | | 1 | Lock nut | |
| 37 | 3842285 | 1 | Engine bed | (3583120) |

D2-55A, D2-55B, D2-55C, D2-55D, D2-55E, D2-55F

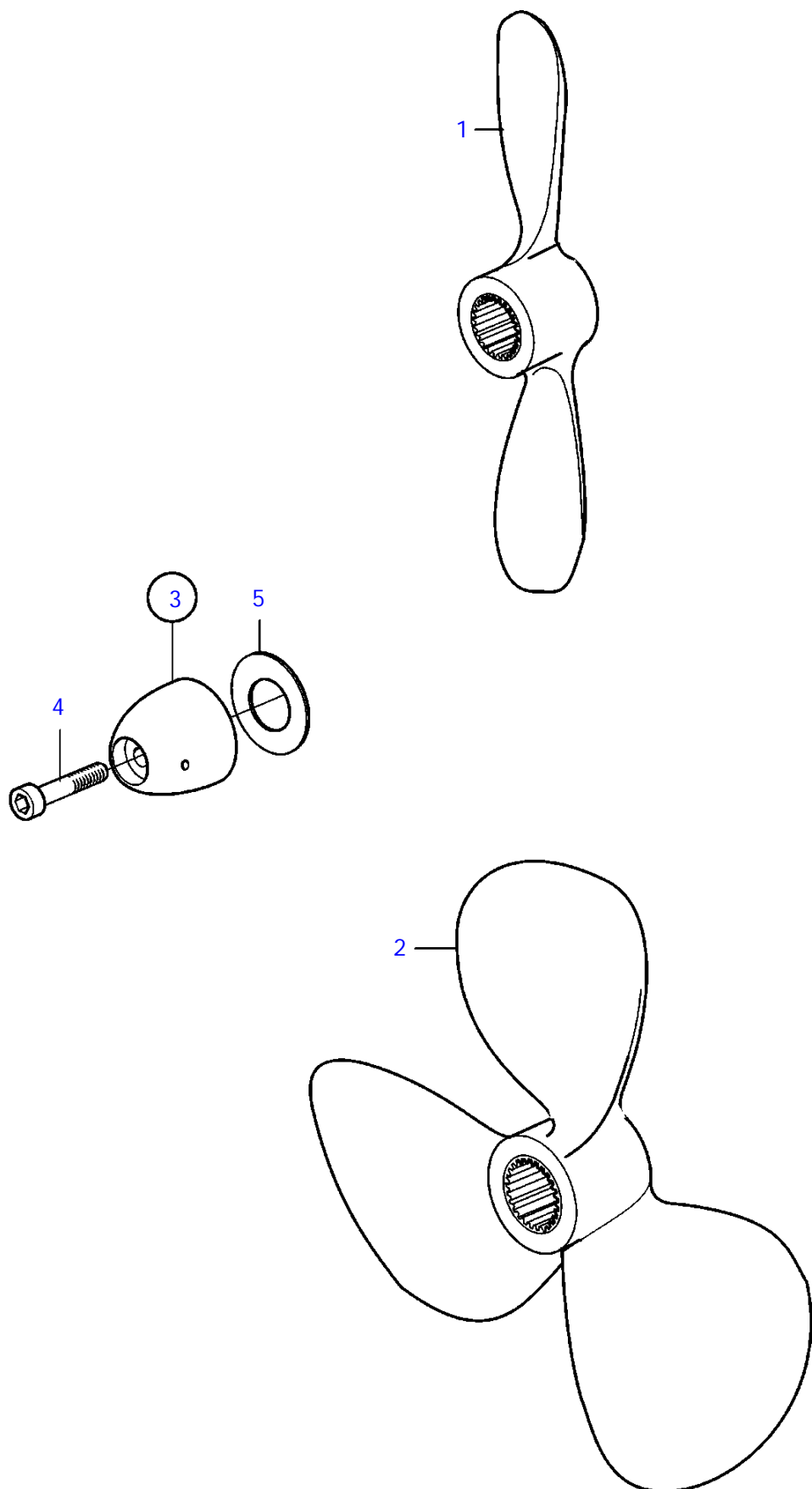


23232

D2-55A, D2-55B, D2-55C, D2-55D, D2-55E, D2-55F

| REF | PART NO. | QTY | DESCRIPTION | SEE SEC. |
|-----|----------|-----|----------------------|----------|
| 1 | 3583503 | 1 | Thermostat housing | |
| 2 | 3583496 | 2 | Hose | |
| 3 | 3583495 | 1 | Hose | |
| 4 | | 1 | T-nipple | |
| 5 | 3582046 | 1 | Gasket | |
| 6 | 941761 | 7 | Hex. socket screw | |
| 7 | 941907 | 7 | Spring washer | |
| 8 | | 1 | Retainer | |
| 9 | | 1 | Screw | |
| 10 | | 1 | Washer | |
| 11 | 3582053 | 1 | Piston rod seal | |
| 12 | 3582220 | 1 | Engagement lever | |
| 13 | 3582055 | 1 | Lever fork | |
| 14 | 814082 | 2 | Cube | |
| 15 | 940090 | 2 | Washer | |
| 16 | 17276 | 2 | Split pin | |
| 17 | 819068 | 1 | Washer | |
| 18 | 872074 | 1 | Retainer | |
| 19 | 872076 | 1 | Washer | |
| 20 | 969439 | 2 | 6 point socket screw | |
| 21 | 949874 | 2 | Flange lock nut | |
| 22 | | | Control cable | 231 |

D2-55A, D2-55B, D2-55C, D2-55D, D2-55E, D2-55F

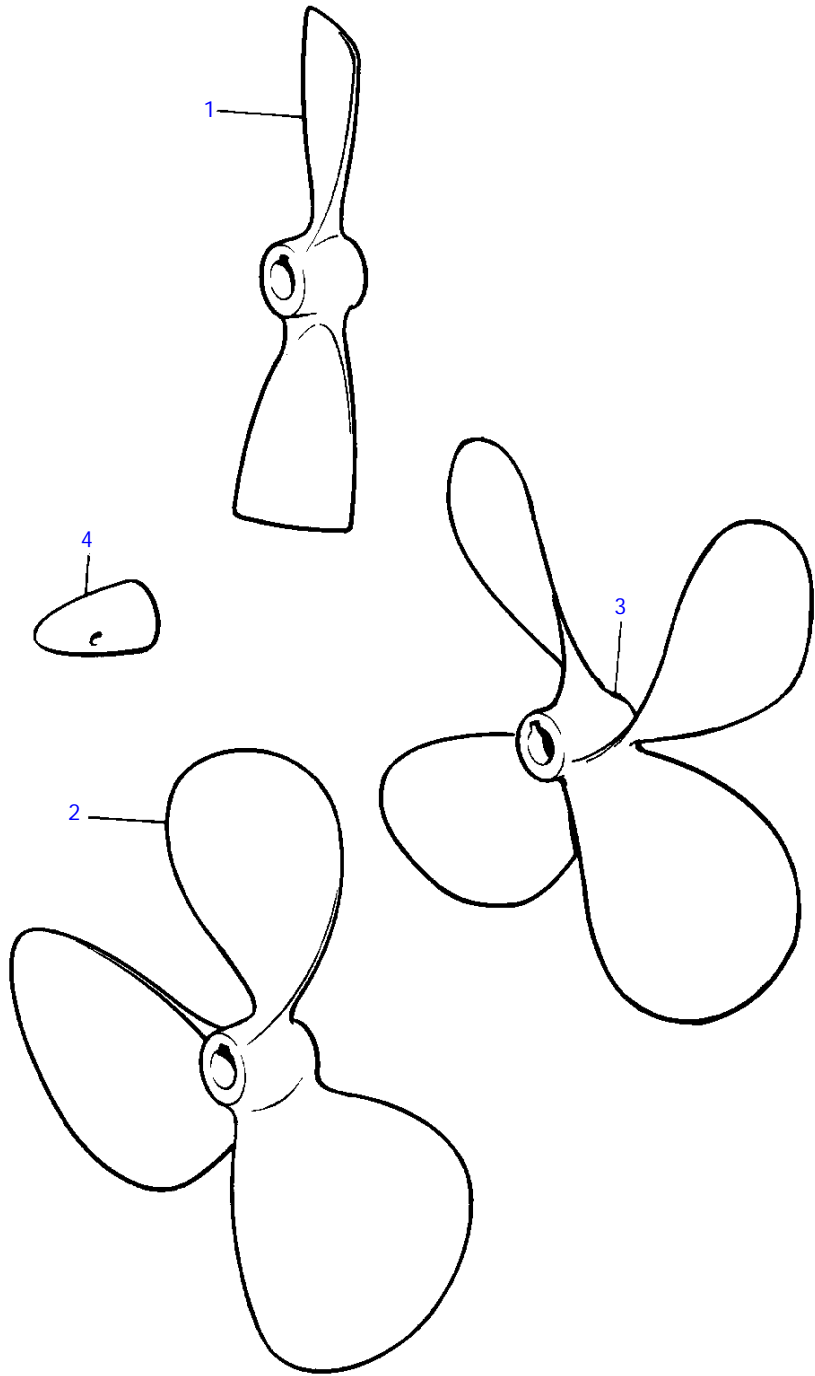


24074

D2-55A, D2-55B, D2-55C, D2-55D, D2-55E, D2-55F

| REF | PART NO. | QTY | DESCRIPTION | NOTES |
|-----|----------|-----|--------------------|------------|
| 1 | 850261 | 1 | Propeller | Left 14x7 |
| | 853346 | 1 | Propeller | Left 14x8 |
| | 850341 | 1 | Propeller | Left 14x9 |
| | 3583867 | 1 | Propeller | Left 14x11 |
| | 3583868 | 1 | Propeller | Left 15x11 |
| | 850342 | 1 | Propeller | Left 16x11 |
| | 852116 | 1 | Propeller | Left 16x13 |
| | 852510 | 1 | Propeller | Left 17x14 |
| | 853583 | 1 | Propeller | Left 17x16 |
| | 3583578 | 1 | Propeller | Left 17x17 |
| | 889658 | 1 | Propeller | Left 19x17 |
| 2 | 850658 | 1 | Propeller | Left 14x9 |
| | 851419 | 1 | Propeller | Left 14x11 |
| | 850659 | 1 | Propeller | Left 14x12 |
| | 851988 | 1 | Propeller | Left 15x12 |
| | 850672 | 1 | Propeller | Left 15x13 |
| | 852017 | 1 | Propeller | Left 16x11 |
| | 873369 | 1 | Propeller | Left 17x12 |
| | 852117 | 1 | Propeller | Left 17x13 |
| | 853588 | 1 | Propeller | Left 17x14 |
| | 873368 | 1 | Propeller | Left 17x15 |
| | 3583577 | 1 | Propeller | Left 17x16 |
| | 889659 | 1 | Propeller | Left 18x16 |
| 3 | 850396 | 1 | Propeller cone kit | |
| 4 | 851773 | 1 | * Screw | |
| 5 | 850888 | 1 | * Plastic washer | |

D2-55A, D2-55B, D2-55C, D2-55D, D2-55E, D2-55F



15176

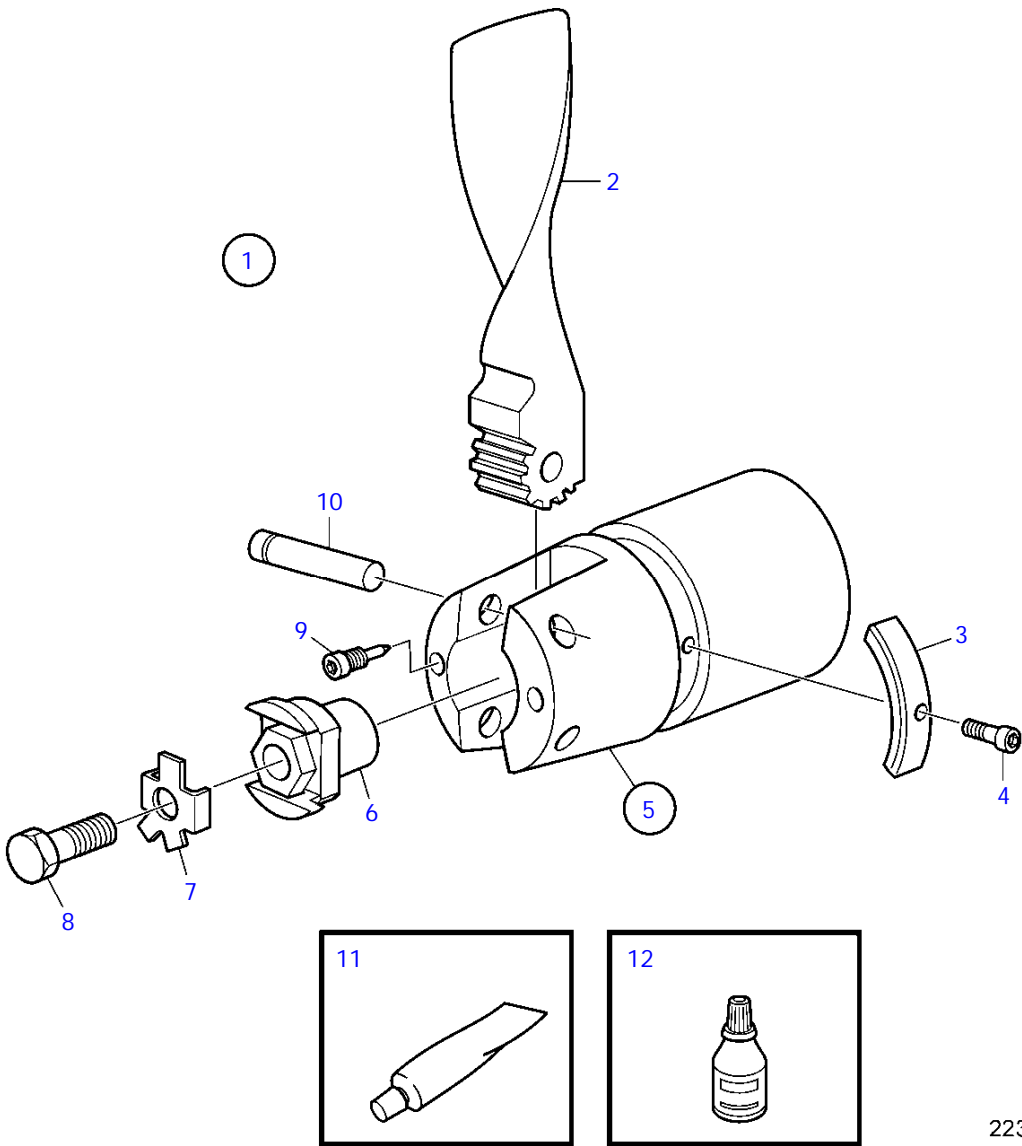
D2-55A, D2-55B, D2-55C, D2-55D, D2-55E, D2-55F

| REF | PART NO. | QTY | DESCRIPTION | NOTES |
|-----|-----------|-----|-------------|---------------------------------------|
| 1 | (873392) | 1 | Propeller | Left 14x8x25, Obsolete part |
| | (873402) | 1 | Propeller | Left 14x10x25, Obsolete part |
| | (873403) | 1 | Propeller | Left 15x9x25, Obsolete part |
| | (873393) | 1 | Propeller | Left 15x11x25, Obsolete part |
| | (873394) | 1 | Propeller | Left 16x10x25, Obsolete part |
| | (873404) | 1 | Propeller | Left 16x11,5x25, Obsolete part |
| | (873405) | 1 | Propeller | Left 16x13x25, Obsolete part |
| | (873406) | 1 | Propeller | Left 17x12x25, Obsolete part |
| | (873407) | 1 | Propeller | Left 18x13x25, Obsolete part |
| | (873408) | 1 | Propeller | Left 18x15x25, Obsolete part |
| | (873409) | 1 | Propeller | LH 18x15x30, Obsolete part |
| | (873410) | 1 | Propeller | Left 18x13x35, Obsolete part |
| 2 | (873382) | 1 | Propeller | Left 12x9x25, Obsolete part |
| | (873417) | 1 | Propeller | Left 13x9x25, Obsolete part |
| | (873418) | 1 | Propeller | Left 14x9x25, Obsolete part |
| | (873419) | 1 | Propeller | Left 14x10x25, Obsolete part |
| | (873383) | 1 | Propeller | Left 14x11x25, Obsolete part |
| | (873420) | 1 | Propeller | Left 14x13x25, Obsolete part |
| | (873384) | 1 | Propeller | Left 15x10x25, Obsolete part |
| | (873421) | 1 | Propeller | Left 15x11x25, Obsolete part |
| | (873422) | 1 | Propeller | Left 15x12x25, Obsolete part |
| | (873423) | 1 | Propeller | Left 15x13x25, Obsolete part |
| | (873424) | 1 | Propeller | Left 15x14x25, Obsolete part |
| | (873425) | 1 | Propeller | Left 16x11x25, Obsolete part |
| | (873426) | 1 | Propeller | Left 16x12x25, Obsolete part |
| | (873427) | 1 | Propeller | Left 16x13x25, Obsolete part |
| | (873428) | 1 | Propeller | Left 16x14x25, Obsolete part |
| | (873429) | 1 | Propeller | Left 17x14x25, Obsolete part |
| | (873431) | 1 | Propeller | Left 17x15x25, Obsolete part |
| | (873433) | 1 | Propeller | Left 18x16x25, Obsolete part |
| | (3856279) | 1 | Propeller | Left 15x12x30, Obsolete part |
| | (3856280) | 1 | Propeller | Left 15x13x30, Obsolete part |
| | (3856281) | 1 | Propeller | Left 15x14x30, Obsolete part |
| | (3856282) | 1 | Propeller | Left 15x15x30, Obsolete part |
| | (3856283) | 1 | Propeller | Left 15x16x30 (873434), Obsolete part |
| | (3856284) | 1 | Propeller | Left 16x11x30, Obsolete part |
| | (3856285) | 1 | Propeller | Left 16x12x30, Obsolete part |
| | (3856286) | 1 | Propeller | Left 16x13x30, Obsolete part |
| | (3856287) | 1 | Propeller | Left 16x14x30, Obsolete part |
| | (3856288) | 1 | Propeller | Left 17x11x30, Obsolete part |
| | (3856289) | 1 | Propeller | Left 17x12x30 (873435), Obsolete part |
| | (3856290) | 1 | Propeller | Left 17x13x30 (873436), Obsolete part |
| | (3856291) | 1 | Propeller | Left 17x14x30 (873437), Obsolete part |
| | (3856292) | 1 | Propeller | Left 17x15x30 (873438), Obsolete part |
| | (3856293) | 1 | Propeller | Left 17x16x30 (873439), Obsolete part |
| | (3856294) | 1 | Propeller | Left 17x17x30, Obsolete part |
| | (3856295) | 1 | Propeller | Left 19x13x30, Obsolete part |
| | (3856296) | 1 | Propeller | Left 19x14x30, Obsolete part |
| | (3856297) | 1 | Propeller | Left 19x15x30 (873440), Obsolete part |
| | (3856298) | 1 | Propeller | Left 19x16x30 (873441), Obsolete part |
| | (3856299) | 1 | Propeller | Left 19x17x30 (873442), Obsolete part |
| | (3856300) | 1 | Propeller | Left 19x19x30 (873443), Obsolete part |
| | (3856301) | 1 | Propeller | Left 16x11x35, Obsolete part |
| | (3856302) | 1 | Propeller | Left 16x12x35, Obsolete part |
| | (873444) | 1 | Propeller | Left 16x13x35 (871217), Obsolete part |
| | (3856303) | 1 | Propeller | Left 16x14x35, Obsolete part |
| | (873445) | 1 | Propeller | Left 16x15x35 (871218), Obsolete part |
| | (873446) | 1 | Propeller | Left 17x11x35 (871219), Obsolete part |
| | (873447) | 1 | Propeller | Left 17x12x35 (871220), Obsolete part |
| | (873448) | 1 | Propeller | Left 17x13x35 (871221), Obsolete part |
| | (873449) | 1 | Propeller | Left 17x14x35 (871222), Obsolete part |
| | (873450) | 1 | Propeller | Left 17x15x35 (871223), Obsolete part |
| | (873451) | 1 | Propeller | Left 17x16x35 (871224), Obsolete part |
| | (873452) | 1 | Propeller | Left 17x17x35 (871187), Obsolete part |
| | (3856304) | 1 | Propeller | Left 18x13x35, Obsolete part |
| | (3856305) | 1 | Propeller | Left 18x14x35, Obsolete part |
| | (3856306) | 1 | Propeller | Left 18x15x35, Obsolete part |
| | (3856307) | 1 | Propeller | Left 18x16x35, Obsolete part |
| | (3856308) | 1 | Propeller | Left 18x17x35, Obsolete part |
| | (3856309) | 1 | Propeller | Left 18x18x35, Obsolete part |
| | (873453) | 1 | Propeller | Left 19x17x35 (871225), Obsolete part |
| | (873455) | 1 | Propeller | Left 19x15x40 (871228), Obsolete part |
| | (873456) | 1 | Propeller | Left 19x17x40 (871229), Obsolete part |
| | (873457) | 1 | Propeller | Left 19x19x40 (871230), Obsolete part |
| | (873458) | 1 | Propeller | Left 19x21x40 (871231), Obsolete part |
| | (873459) | 1 | Propeller | Left 21x13x40 (871226), Obsolete part |
| | (873460) | 1 | Propeller | Left 23x15x40 (871232), Obsolete part |
| 3 | (873461) | 1 | Propeller | Left 16x15x35 (871233), Obsolete part |
| | (873462) | 1 | Propeller | Left 16x16x35 (871234), Obsolete part |
| | (873463) | 1 | Propeller | Left 16x17x35 (871235), Obsolete part |
| | (873464) | 1 | Propeller | Left 16x18x35 (871236), Obsolete part |
| | (3856310) | 1 | Propeller | LH 18x15x30, Obsolete part |
| | (3856311) | 1 | Propeller | Left 18x16x30, Obsolete part |
| | (3856312) | 1 | Propeller | Left 18x17x30, Obsolete part |
| | (3856313) | 1 | Propeller | Left 18x18x30, Obsolete part |
| | (3856314) | 1 | Propeller | Left 18x15x35, Obsolete part |
| | (3856315) | 1 | Propeller | Left 18x16x35, Obsolete part |
| | (3856316) | 1 | Propeller | Left 18x17x35, Obsolete part |
| | (3856317) | 1 | Propeller | Left 18x18x35, Obsolete part |
| | (3856318) | 1 | Propeller | Left 18x16x40, Obsolete part |

D2-55A, D2-55B, D2-55C, D2-55D, D2-55E, D2-55F

| REF | PART NO. | QTY | DESCRIPTION | NOTES |
|-----|-----------|-----|-------------|---|
| | (873465) | 1 | Propeller | Left 18x17x40 (871240), Obsolete part |
| | (873466) | 1 | Propeller | Left 18x18x40 (871241), Obsolete part |
| | (873467) | 1 | Propeller | Left 18x19x40 (871242), Obsolete part |
| | (873468) | 1 | Propeller | Left 18x20x40 (871243), Obsolete part |
| | (3856319) | 1 | Propeller | Left 18x22x35, Obsolete part |
| | (3856320) | 1 | Propeller | Left 18x22x40, Obsolete part |
| | (3856321) | 1 | Propeller | Left 18x23x35, Obsolete part |
| | (3856322) | 1 | Propeller | Left 18x23x40, Obsolete part |
| | (3856323) | 1 | Propeller | Right 18x15x35, Obsolete part |
| | (3856324) | 1 | Propeller | Right 18x16x35, Obsolete part |
| | (3856325) | 1 | Propeller | Right 18x17x35, Obsolete part |
| | (3856326) | 1 | Propeller | Right 18x18x35, Obsolete part |
| | (3856327) | 1 | Propeller | Right 18x16x40, Obsolete part |
| | (3856328) | 1 | Propeller | Right 18x17x40, Obsolete part |
| | (3856329) | 1 | Propeller | Right 18x18x40, Obsolete part |
| | (3856330) | 1 | Propeller | Right 18x19x40, Obsolete part |
| | (3856331) | 1 | Propeller | Right 18x20x40, Obsolete part |
| | (3856332) | 1 | Propeller | Right 18x22x35, Obsolete part |
| | (3856333) | 1 | Propeller | Right 18x22x40, Obsolete part |
| | (3856334) | 1 | Propeller | Right 18x23x35, Obsolete part |
| | (3856371) | 1 | Propeller | Right 18x23x40, Obsolete part |
| 4 | 833913 | 1 | Zinc anode | For 30mm propeller shaft., W 3/4" |
| | 833915 | 1 | Zinc anode | For 35mm propeller shaft., W 7/8" |
| | 828140 | 1 | Zinc anode | For 40 and 45mm propeller shaft., W 1" |
| | 873411 | 1 | Zinc anode | For 25mm propeller shaft., M16 |
| | 873412 | 1 | Zinc anode | For 30mm propeller shaft., M20 |
| | 873413 | 1 | Zinc anode | For 35mm and 40mm propeller shaft., M24 |
| | 873415 | 1 | Zinc anode | For 45mm propeller shaft., M30 |

D2-55A, D2-55B, D2-55C, D2-55D, D2-55E, D2-55F

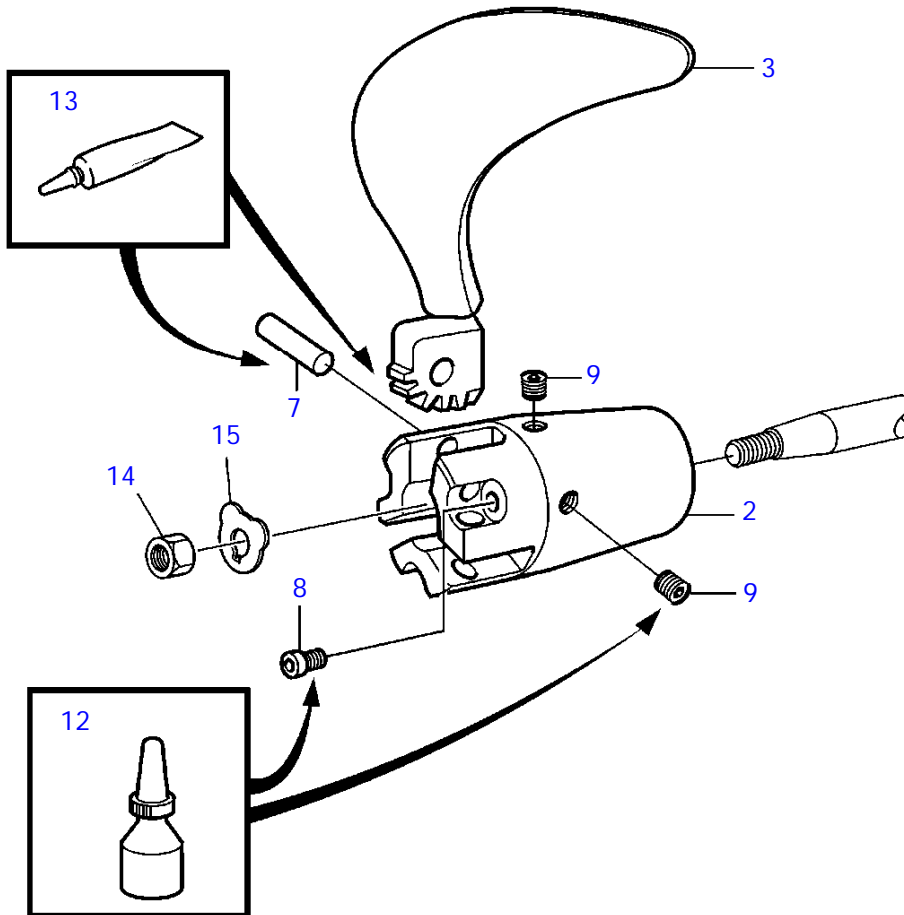
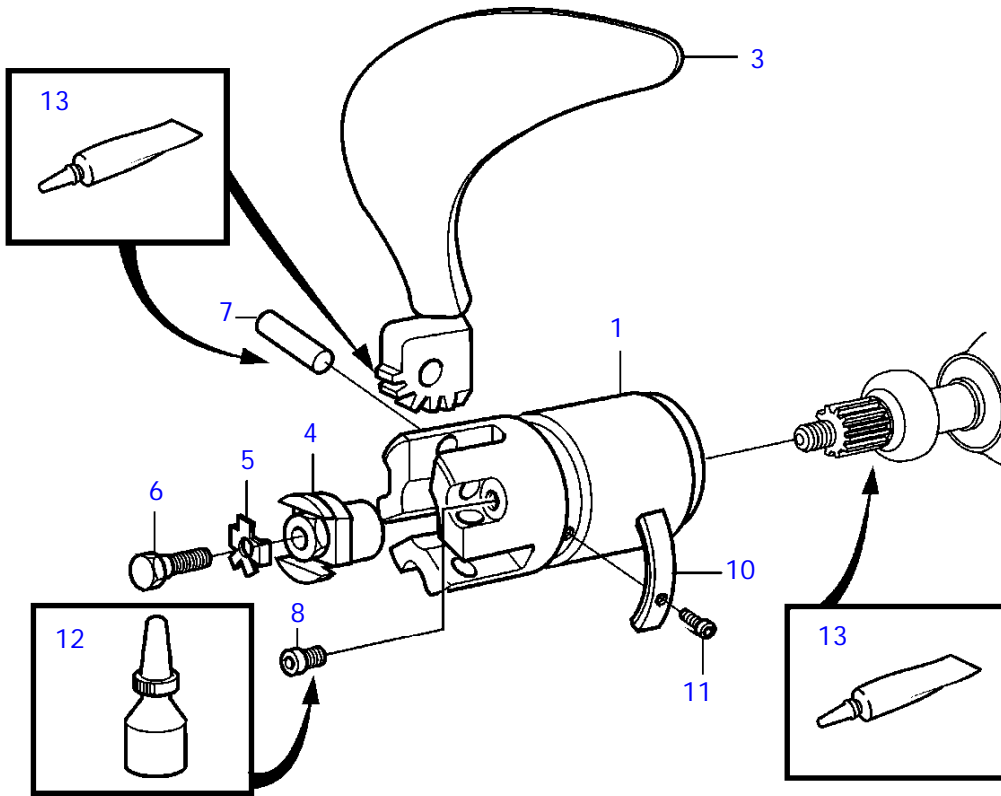


22351

D2-55A, D2-55B, D2-55C, D2-55D, D2-55E, D2-55F

| REF | PART NO. | QTY | DESCRIPTION | SEE SEC. | NOTES |
|-----|-----------|-----|---------------------|-------------|---------------------------------------|
| 1 | (3858506) | 1 | Propeller | | 14x6, Obsolete part |
| | (3858507) | 1 | Propeller | | 14x8 (3855562), Obsolete part |
| | (3858508) | 1 | Propeller | | 15x9 (3855563), Obsolete part |
| | (3858510) | 1 | Propeller | | 16x11 (3855565), Obsolete part |
| | (3858511) | 1 | Propeller | | 17X13, Obsolete part |
| | (3858512) | 1 | Propeller | | 17x14 (3855567), Obsolete part |
| 2 | 872876 | 1 | Propeller | | 14x6 |
| | 872877 | 1 | Propeller | | 14X8 |
| | 872878 | 1 | Propeller | | 15x9 |
| | 872880 | 1 | Propeller | | 16x11 |
| | 872881 | 1 | Propeller | | 17X13 |
| | 873536 | 1 | Propeller blade kit | | 17X14 |
| | 872882 | 1 | Propeller | | 17x15 |
| | (873537) | 1 | Propeller blade kit | | 17x17, Obsolete part |
| 3 | 3858399 | 1 | Zinc anode kit | | |
| | 3858400 | 1 | Magnesium anode kit | | |
| 4 | 963677 | 3 | * Hex. socket screw | | |
| 5 | 3858849 | 1 | Hub kit | | |
| 6 | 3584466 | 1 | * Propeller nut | | (3851993) |
| 7 | 3851994 | 1 | * Lock washer | | |
| 8 | 946730 | 1 | * Hexagon screw | | |
| 9 | 3855529 | 2 | * Screw | | |
| 10 | 3855528 | 2 | * Shaft | | |
| 11 | 828250 | 1 | Lubricating grease | | 25G |
| | | | * Bulletin P-18-4-6 | P-18-4-6-EN | Water resistant grease for grease gun |
| 12 | 1161053 | 1 | Locking fluid | | |

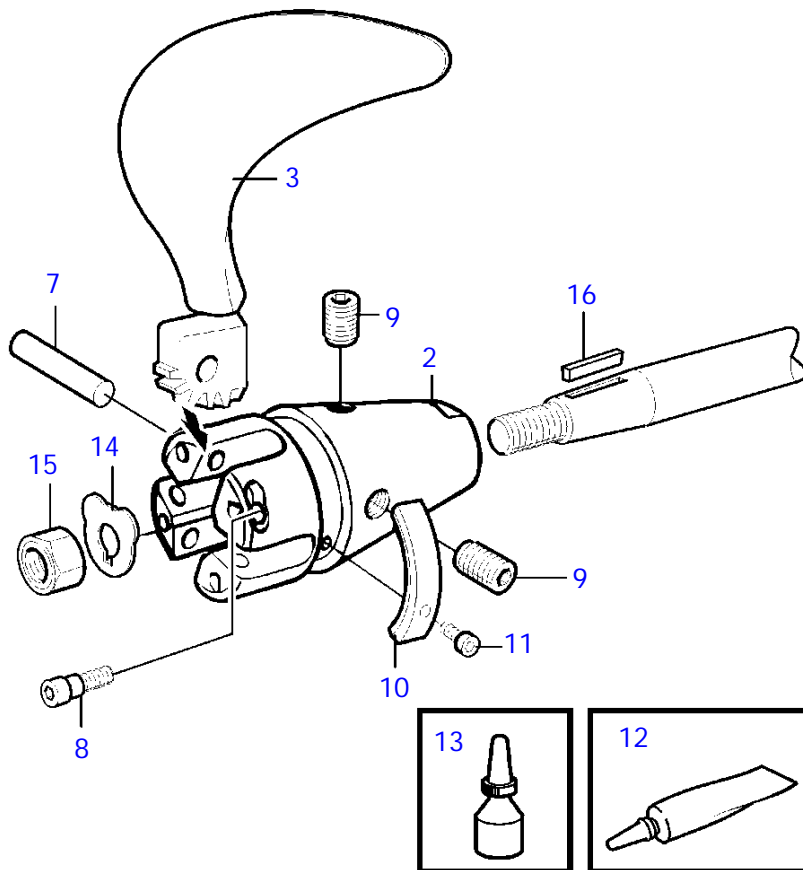
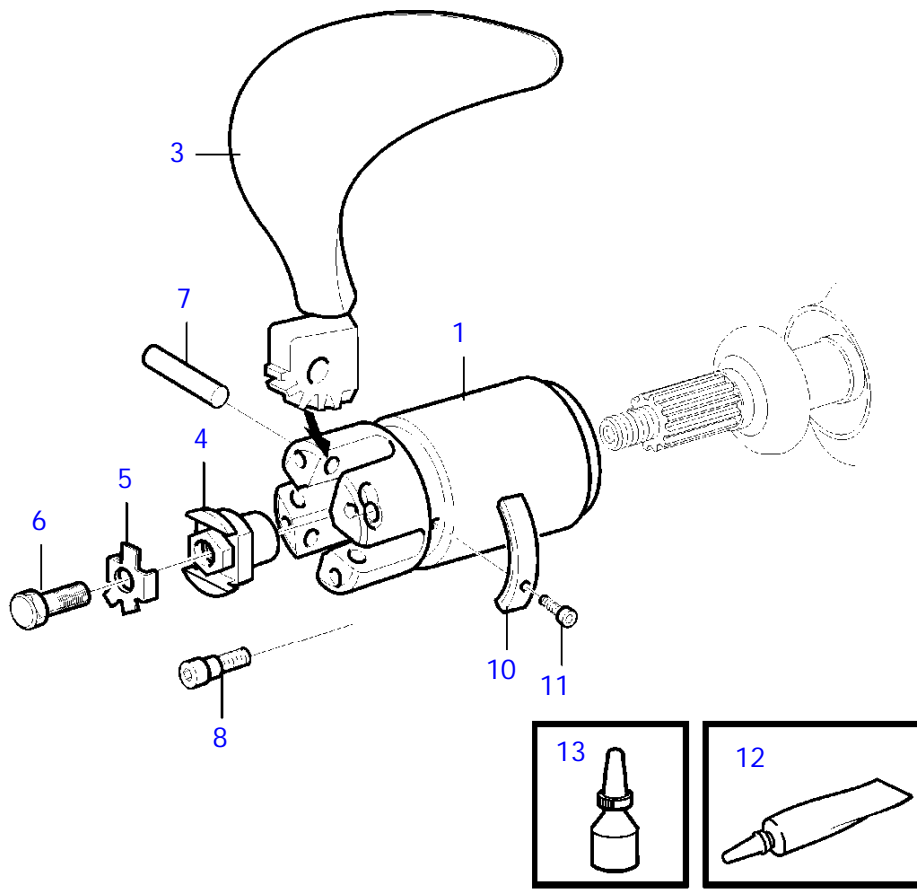
D2-55A, D2-55B, D2-55C, D2-55D, D2-55E, D2-55F



D2-55A, D2-55B, D2-55C, D2-55D, D2-55E, D2-55F

| REF | PART NO. | QTY | DESCRIPTION | SEE SEC. | NOTES |
|-----|----------|-----|----------------------|--------------|---|
| 1 | 3858955 | 1 | Hub kit | | S-drive (3858284) |
| | | | * Bulletin P-44-7-12 | P-44-7-12-EN | Part Numbers on 3-bladed Folding Propellers |
| 2 | 3583424 | 1 | Hub kit | | Shaft 25mm (3581262) |
| | 3583425 | 1 | Hub kit | | Shaft 30mm (3581263) |
| | 3583426 | 1 | Hub kit | | Shaft 1" (3581484) |
| | 3583427 | 1 | Hub kit | | Shaft 1 1/4" (3581485) |
| 3 | 3583382 | 1 | Propeller blade kit | | Left 14x9 (3581249) |
| | | | * Bulletin P-44-7-12 | P-44-7-12-EN | Part Numbers on 3-bladed Folding Propellers |
| 3 | 3583383 | 1 | Propeller blade kit | | Left 16x10 (3581250) |
| | 3583384 | 1 | Propeller blade kit | | Left 15x10 (3581251) |
| | 3583385 | 1 | Propeller blade kit | | Left 16x10 (3581252) |
| | 3583386 | 1 | Propeller blade kit | | Left 16x11 (3581253) |
| | 3583387 | 1 | Propeller blade kit | | Left 17x11 (3581254) |
| | 3583388 | 1 | Propeller blade kit | | Left 17x12 (3581255) |
| | 3583389 | 1 | Propeller blade kit | | Left 18x12 (3581256) |
| | 3583390 | 1 | Propeller blade kit | | Left 18x13 (3581257) |
| | 3583391 | 1 | Propeller blade kit | | Left 18x14 (3581258) |
| | 3583392 | 1 | Propeller blade kit | | Left 18x15 |
| | 3584031 | 1 | Propeller blade kit | | Left 18x16 |
| | 3583393 | 1 | Propeller blade kit | | Left 19x16 |
| | 3583409 | 1 | Propeller blade kit | | Right 14x7 |
| | 3583410 | 1 | Propeller blade kit | | Right 14x8 |
| | 3583411 | 1 | Propeller blade kit | | Right 14x9 (3581807) |
| | 3583412 | 1 | Propeller blade kit | | Right 15x9 (3581808) |
| | 3583413 | 1 | Propeller blade kit | | Right 15x10 (3581809) |
| | 3583414 | 1 | Propeller blade kit | | Right 16x10 (3581810) |
| | 3583415 | 1 | Propeller blade kit | | Right 16x11 (3581811) |
| | 3583416 | 1 | Propeller blade kit | | Right 17x11 (3581812) |
| | 3583417 | 1 | Propeller blade kit | | Right 17x12 (3581813) |
| | 3583418 | 1 | Propeller blade kit | | Right 18x12 (3581814) |
| | 3583419 | 1 | Propeller blade kit | | Right 18x13 (3581815) |
| | 3583420 | 1 | Propeller blade kit | | Right 18x14 (3581816) |
| 4 | 3584466 | 1 | Propeller nut | | Included in hub kit, (3851993) |
| 5 | 3851994 | 1 | Lock washer | | Included in hub kit |
| 6 | 946730 | 1 | Hexagon screw | | Included in hub kit |
| 7 | 3581243 | 3 | Shaft | | Included in hub kit |
| 8 | 963695 | 3 | Hex. socket screw | | Included in hub kit |
| 9 | 3581246 | 3 | Screw | | Included in hub kit |
| 10 | 3858399 | 1 | Zinc anode kit | | Included in hub kit |
| | 3858400 | 1 | Magnesium anode kit | | |
| 11 | 963677 | 3 | * Hex. socket screw | | |
| 12 | 1161053 | 1 | Locking fluid | | 10ml, Included in hub kit |
| 13 | 828250 | 1 | Lubricating grease | | 25G, Included in propeller blade kit |
| | | | * Bulletin P-18-4-6 | P-18-4-6-EN | Water resistant grease for grease gun |
| 14 | 873473 | 1 | Nut | | Included in propeller shaft |
| 15 | 873475 | 1 | Tab washer | | Included in propeller shaft |

D2-55A, D2-55B, D2-55C, D2-55D, D2-55E, D2-55F

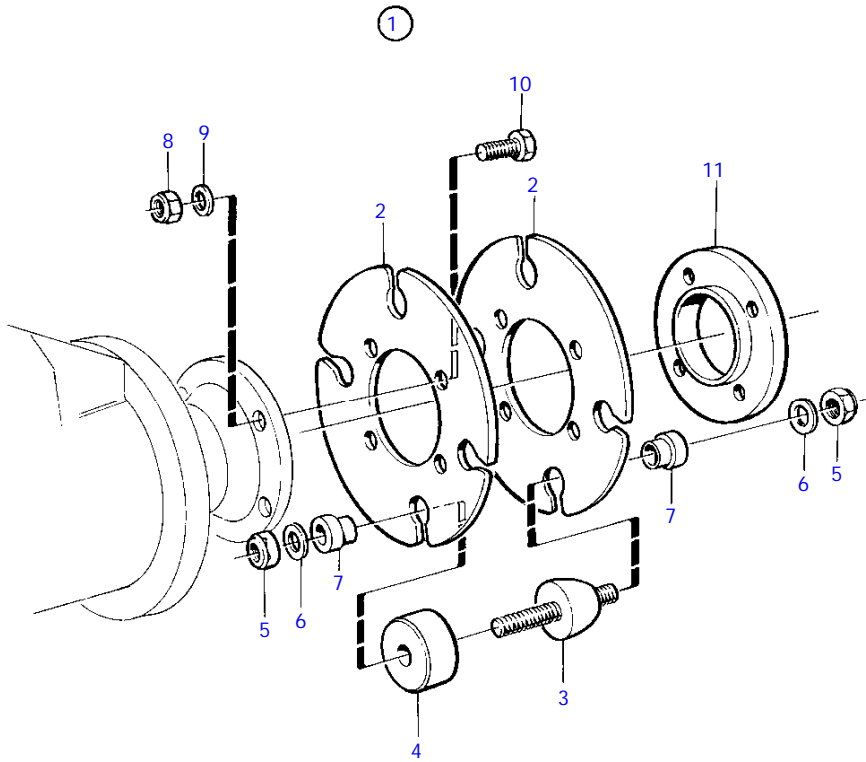


24327

D2-55A, D2-55B, D2-55C, D2-55D, D2-55E, D2-55F

| REF | PART NO. | QTY | DESCRIPTION | SEE SEC. | NOTES |
|-----|-----------|-----|----------------------|--------------|---|
| 1 | 3583927 | 1 | Hub kit | | S-drive |
| | | | * Bulletin P-44-7-11 | P-44-7-11-EN | Part Numbers on 4-bladed Folding Propellers |
| 2 | 3583928 | 1 | Hub kit | | Shaft 25mm |
| | | | * Bulletin P-44-7-11 | P-44-7-11-EN | Part Numbers on 4-bladed Folding Propellers |
| 2 | 3583929 | 1 | Hub kit | | Shaft 30mm |
| | | | * Bulletin P-44-7-11 | P-44-7-11-EN | Part Numbers on 4-bladed Folding Propellers |
| 2 | 3583930 | 1 | Hub kit | | Shaft 35mm |
| | | | * Bulletin P-44-7-11 | P-44-7-11-EN | Part Numbers on 4-bladed Folding Propellers |
| 2 | 3583931 | 1 | Hub kit | | Shaft 1 1/4" |
| | | | * Bulletin P-44-7-11 | P-44-7-11-EN | Part Numbers on 4-bladed Folding Propellers |
| 2 | 3583932 | 1 | Hub kit | | Shaft 1 1/2" |
| | | | * Bulletin P-44-7-11 | P-44-7-11-EN | Part Numbers on 4-bladed Folding Propellers |
| 2 | (3583933) | 1 | Hub kit | | Obsolete part, Shaft pre drilled |
| | 3584137 | 1 | Hub kit | | Shaft 40mm |
| | | | * Bulletin P-44-7-11 | P-44-7-11-EN | Part Numbers on 4-bladed Folding Propellers |
| 3 | 3583917 | 1 | Set | | 20x14 |
| | | | * Bulletin P-44-7-11 | P-44-7-11-EN | Part Numbers on 4-bladed Folding Propellers |
| 3 | 3583919 | 1 | Set | | 20x14 |
| | | | * Bulletin P-44-7-11 | P-44-7-11-EN | Part Numbers on 4-bladed Folding Propellers |
| 3 | 3583921 | 1 | Set | | 21x15 |
| | | | * Bulletin P-44-7-11 | P-44-7-11-EN | Part Numbers on 4-bladed Folding Propellers |
| 3 | 3583923 | 1 | Set | | 21x15 |
| | | | * Bulletin P-44-7-11 | P-44-7-11-EN | Part Numbers on 4-bladed Folding Propellers |
| 3 | 3583925 | 1 | Set | | 22x16 |
| | | | * Bulletin P-44-7-11 | P-44-7-11-EN | Part Numbers on 4-bladed Folding Propellers |
| 3 | 3583918 | 1 | Set | | 22x16 |
| | | | * Bulletin P-44-7-11 | P-44-7-11-EN | Part Numbers on 4-bladed Folding Propellers |
| 3 | 3583920 | 1 | Set | | 22x18 |
| | | | * Bulletin P-44-7-11 | P-44-7-11-EN | Part Numbers on 4-bladed Folding Propellers |
| 3 | 3583922 | 1 | Set | | 22x18 |
| | | | * Bulletin P-44-7-11 | P-44-7-11-EN | Part Numbers on 4-bladed Folding Propellers |
| 3 | 3583924 | 1 | Set | | 22x20 |
| | | | * Bulletin P-44-7-11 | P-44-7-11-EN | Part Numbers on 4-bladed Folding Propellers |
| 3 | 3583926 | 1 | Set | | 22x20 |
| | | | * Bulletin P-44-7-11 | P-44-7-11-EN | Part Numbers on 4-bladed Folding Propellers |
| 4 | 3584466 | 1 | Propeller nut | | Included in hub kit |
| 5 | 3851994 | 1 | Lock washer | | Included in hub kit |
| 6 | 946730 | 1 | Hexagon screw | | Included in hub kit |
| 7 | 3583951 | 4 | Shaft | | Included in hub kit |
| 8 | 963695 | 4 | Hex. socket screw | | Included in hub kit |
| 9 | 3581246 | 2 | Screw | | Included in hub kit |
| 10 | 3584442 | 1 | Zinc anode kit | | Included in hub kit |
| | 3584443 | 1 | Magnesium anode kit | | |
| 11 | 963677 | 3 | * Hex. socket screw | | |
| 12 | 828250 | 1 | Lubricating grease | | Included in hub kit |
| | | | * Bulletin P-18-4-6 | P-18-4-6-EN | Water resistant grease for grease gun |
| 13 | 1161053 | 1 | Locking fluid | | Included in propeller blade kit |
| 14 | 873475 | 1 | Tab washer | | Included in propeller shaft |
| 15 | 873473 | 1 | Nut | | Included in propeller shaft |
| 16 | 873474 | 1 | Key | | Included in propeller shaft |

D2-55A, D2-55B, D2-55C, D2-55D, D2-55E, D2-55F

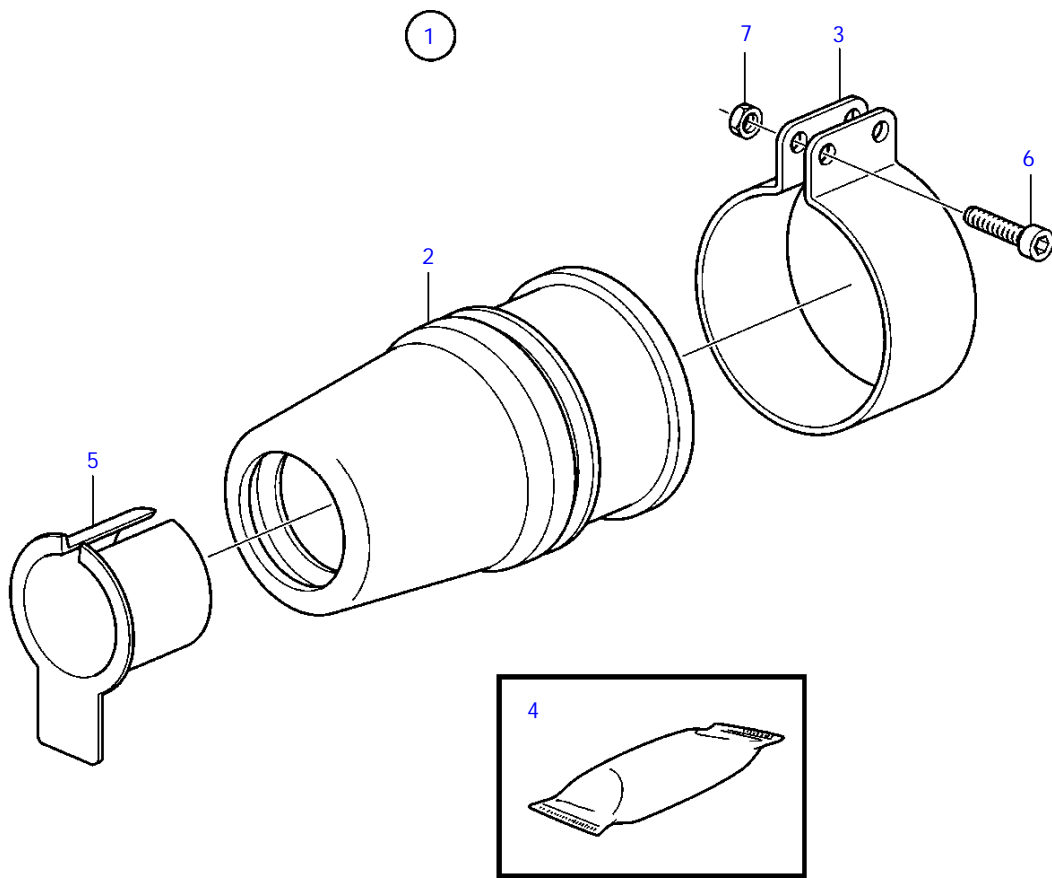


11417

D2-55A, D2-55B, D2-55C, D2-55D, D2-55E, D2-55F

| REF | PART NO. | QTY | DESCRIPTION | NOTES |
|-----|----------|-----|---------------------|--|
| 1 | (819154) | 1 | Rubber coupling | For 30mm and 35mm propeller shaft, Obsolete part |
| 2 | 819151 | 2 | * Flexplate | |
| 3 | 803762 | 6 | * Rubber cushion | |
| 4 | 803748 | 6 | * Protecting casing | |
| 5 | 955850 | 12 | * Hexagon nut | |
| 6 | 940280 | 12 | * Spring washer | |
| 7 | 802976 | 12 | * Washer | |
| 8 | 971071 | 8 | * Hexagon nut | |
| 9 | 941908 | 8 | * Spring washer | |
| 10 | 970947 | 4 | * Hexagon screw | L=25mm |
| | 970949 | 4 | * Hexagon screw | L=35mm |
| 11 | 803029 | 1 | * Guide ring | |

D2-55A, D2-55B, D2-55C, D2-55D, D2-55E, D2-55F

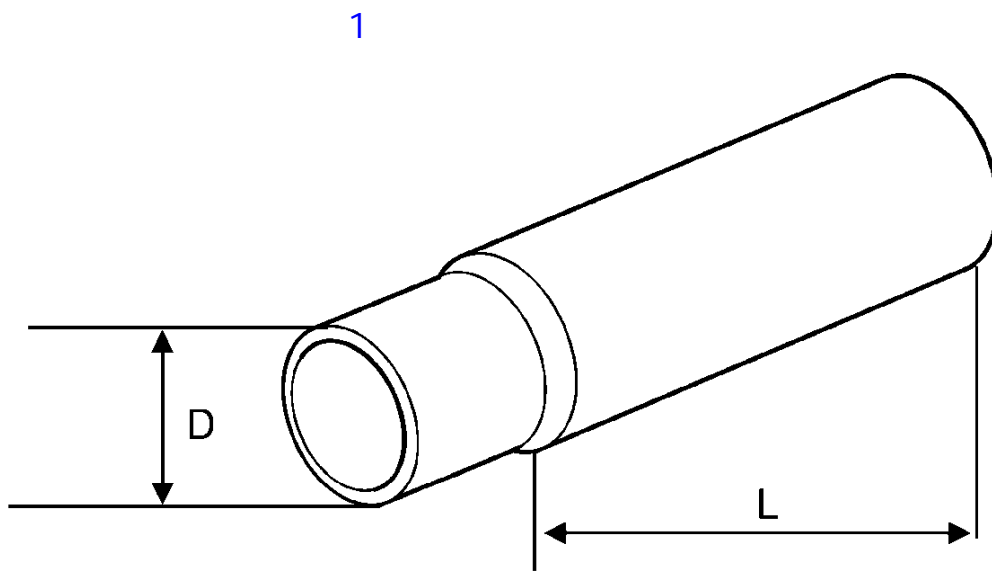


6147

D2-55A, D2-55B, D2-55C, D2-55D, D2-55E, D2-55F

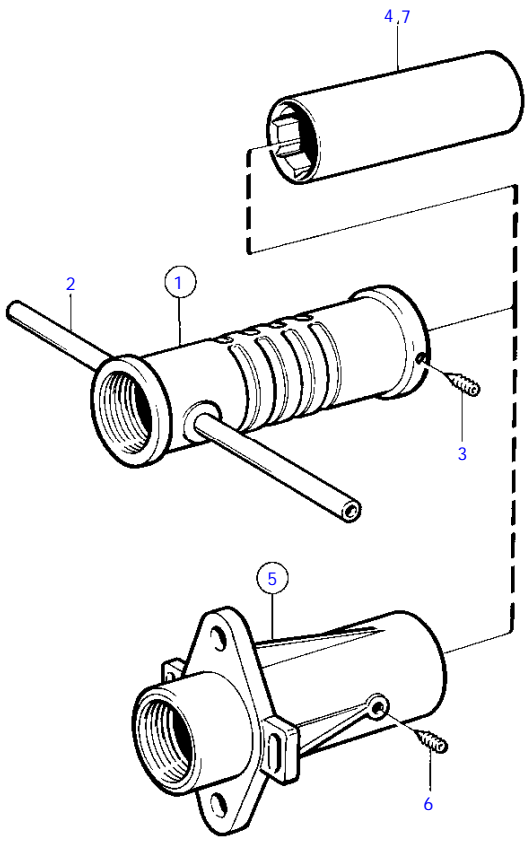
| REF | PART NO. | QTY | DESCRIPTION | SEE SEC. | NOTES |
|-----|----------|-----|----------------------|-------------|---------------------------------------|
| 1 | 828254 | 1 | Sealing | | D=25mm |
| | | | * Bulletin P-44-6-1 | P-44-6-1-EN | Rubber Stuffing Box |
| 1 | 828422 | | Sealing | | D=30mm |
| | | | * Bulletin P-44-6-1 | P-44-6-1-EN | Rubber Stuffing Box |
| 2 | | 1 | * Sealing sleeve | | |
| 3 | 828142 | 1 | * Clamp | | |
| | 828418 | 1 | * Clamp | | |
| 4 | 828250 | 1 | * Lubricating grease | | |
| | | | * Bulletin P-18-4-6 | P-18-4-6-EN | Water resistant grease for grease gun |
| 5 | | 1 | * Sleeve | | |
| 6 | 963684 | 2 | * Hex. socket screw | | |
| 7 | 966170 | 2 | * Lock nut | | |

D2-55A, D2-55B, D2-55C, D2-55D, D2-55E, D2-55F



8498

D2-55A, D2-55B, D2-55C, D2-55D, D2-55E, D2-55F

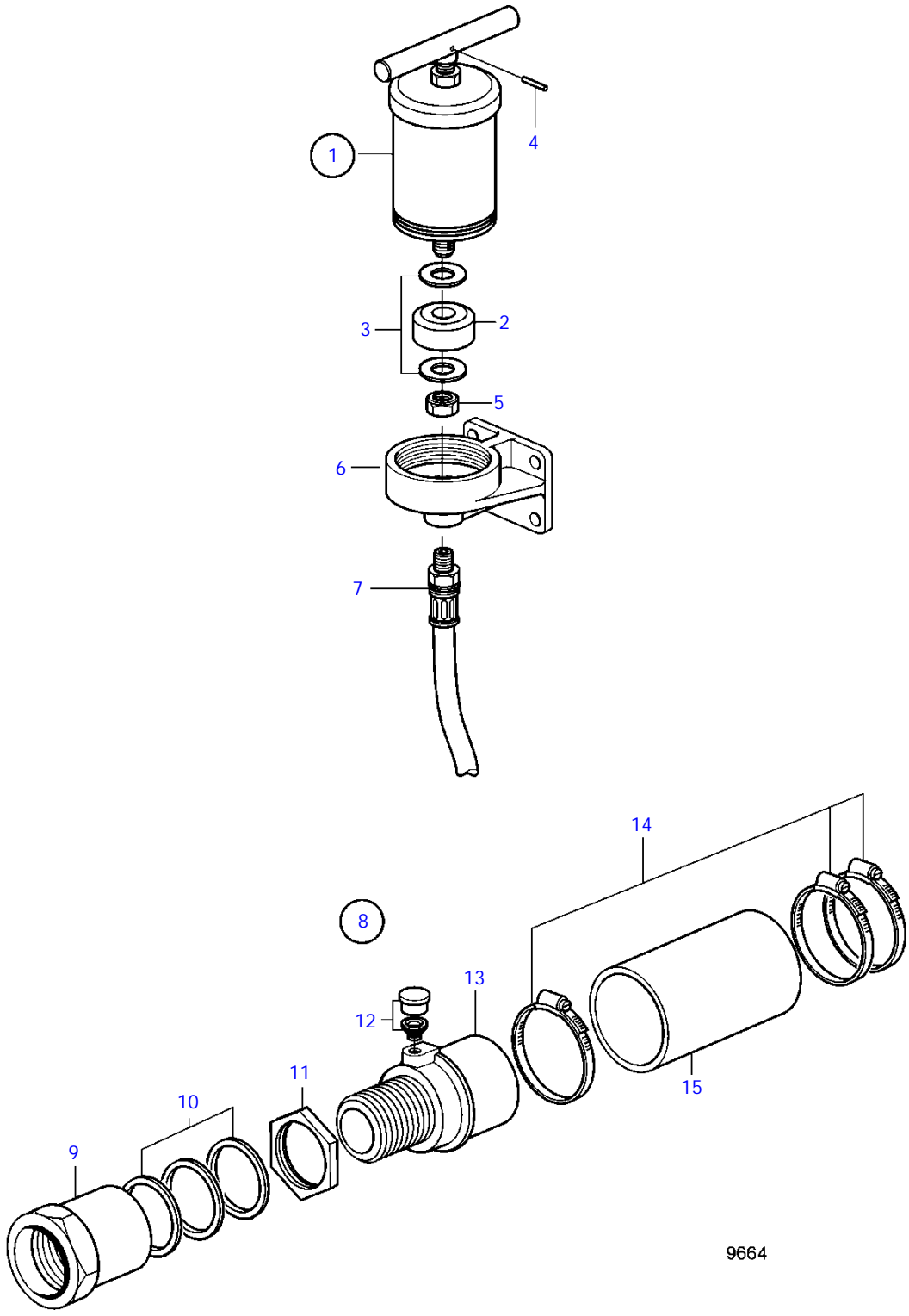


9665

D2-55A, D2-55B, D2-55C, D2-55D, D2-55E, D2-55F

| REF | PART NO. | QTY | DESCRIPTION | NOTES |
|-----|----------|-----|------------------|---------------------------|
| 1 | 827885 | 1 | Stern bearing | For 25mm propeller shaft. |
| | 827886 | 1 | Stern bearing | For 30mm propeller shaft. |
| 2 | (827734) | 1 | • Tube | Obsolete part |
| 3 | 942609 | 3 | • Set screw | |
| 4 | 812914 | 1 | • Rubber bearing | For 25mm propeller shaft. |
| | 812916 | 1 | • Rubber bearing | For 30mm propeller shaft. |
| 5 | 827780 | 1 | Stern bearing | For 25mm propeller shaft. |
| | 827781 | 1 | Stern bearing | For 30mm propeller shaft. |
| 6 | 942609 | 2 | • Set screw | |
| 7 | 812914 | 1 | • Rubber bearing | For 25mm propeller shaft. |
| | 812916 | 1 | • Rubber bearing | For 30mm propeller shaft. |

D2-55A

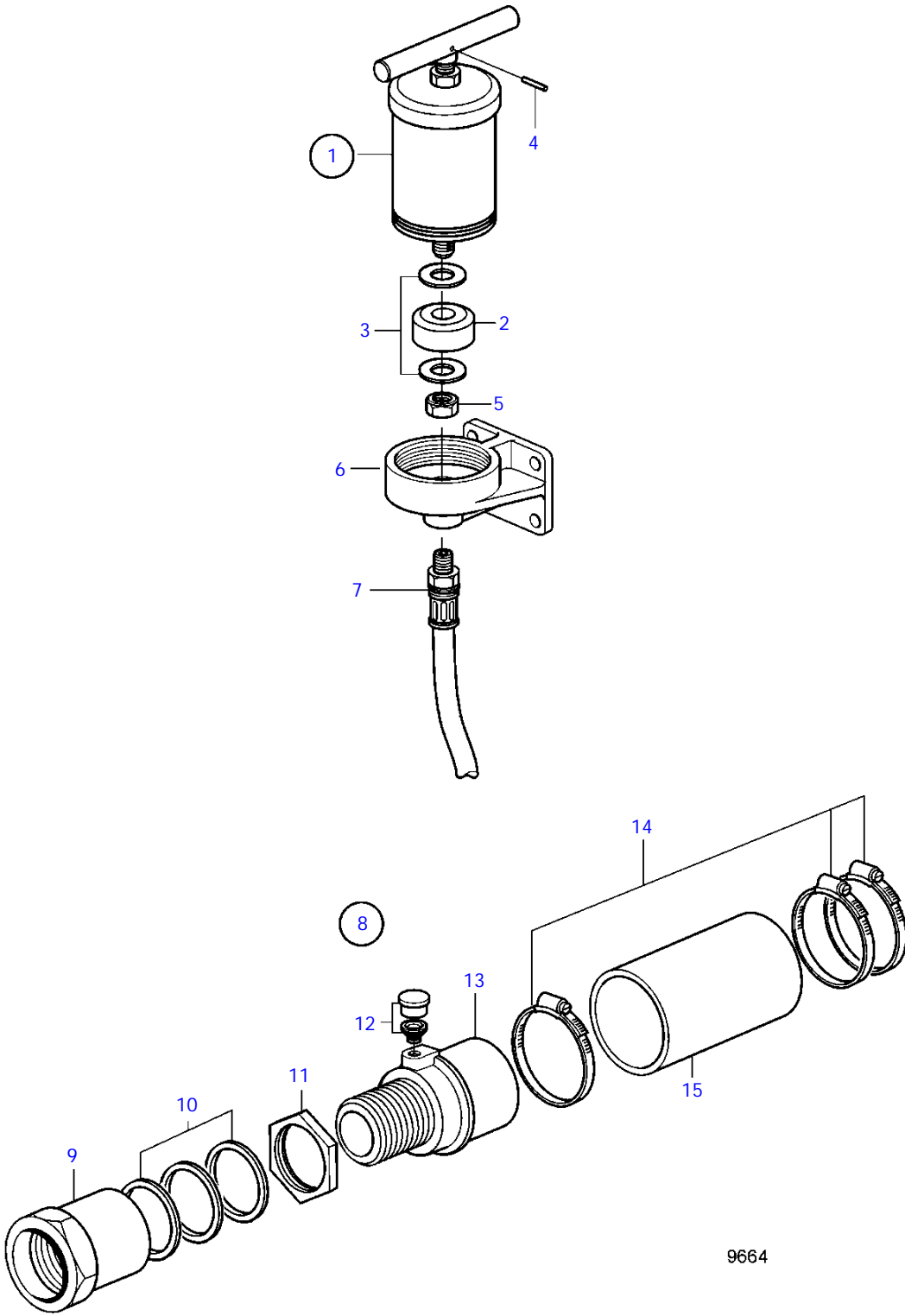


9664

D2-55A

| REF | PART NO. | QTY | DESCRIPTION | NOTES |
|-----|----------|-----|----------------|---------------|
| 1 | 827184 | 1 | Grease press | |
| 2 | 815579 | 1 | • Leather cuff | |
| 3 | 948087 | 2 | • Washer | |
| 4 | (907173) | 1 | • Grooved pin | Obsolete part |
| 5 | 950354 | 1 | • Lock nut | |
| 6 | | 1 | • Retainer | |
| 7 | 833842 | 1 | Hose | |
| 8 | 859012 | 1 | Stuffing box | D=25mm |
| | 859013 | 1 | Stuffing box | D=30mm |
| 9 | | 1 | • Nut | |
| 10 | 859003 | 3 | • Box gasket | D=25mm |
| | 859006 | 3 | • Box gasket | D=30mm |
| 11 | | 1 | • Nut | |
| 12 | 914138 | 1 | • Lubricator | |
| 13 | | 1 | • Stuffing box | |
| 14 | 961672 | 3 | • Hose clamp | For 859012 |
| | 961674 | 3 | • Hose clamp | For 859013 |
| 15 | 825672 | 1 | • Rubber hose | D=25mm |
| | 825673 | 1 | • Rubber hose | D=30mm |

D2-55B, D2-55C, D2-55D, D2-55E, D2-55F

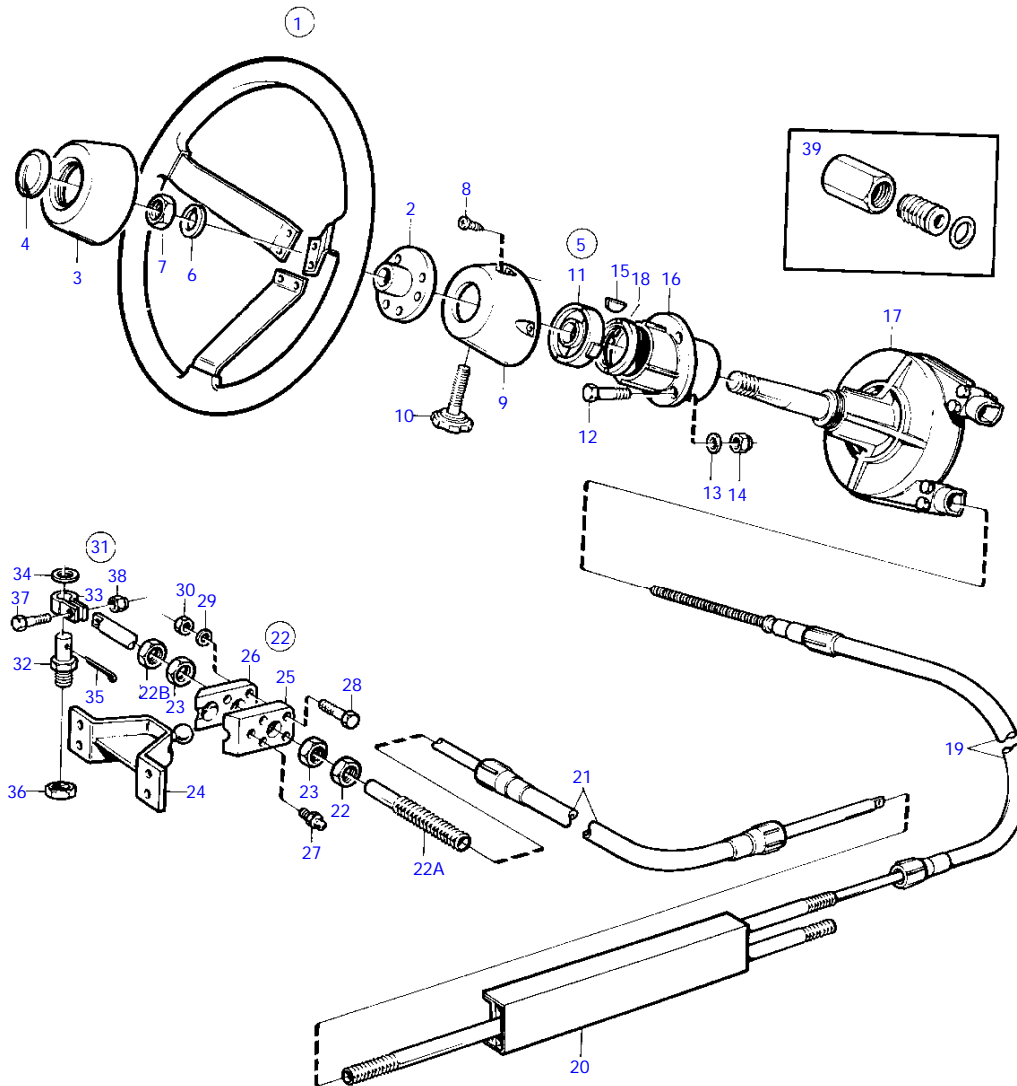


9664

D2-55B, D2-55C, D2-55D, D2-55E, D2-55F

| REF | PART NO. | QTY | DESCRIPTION | NOTES |
|-----|----------|-----|----------------|-----------------------|
| 1 | 827184 | 1 | Grease press | |
| 2 | 815579 | 1 | * Leather cuff | |
| 3 | 948087 | 2 | * Washer | |
| 4 | (907173) | 1 | * Grooved pin | Obsolete part |
| 5 | 950354 | 1 | * Lock nut | |
| 6 | | 1 | * Retainer | |
| 7 | 833842 | 1 | Hose | |
| 8 | 859013 | 1 | Stuffing box | D=30mm |
| | 859014 | 1 | Stuffing box | D=35mm |
| 9 | | 1 | * Nut | |
| 10 | 859006 | 3 | * Box gasket | D=30mm |
| | 859007 | 3 | * Box gasket | D=35mm |
| 11 | | 1 | * Nut | |
| 12 | 914138 | 1 | * Lubricator | |
| 13 | | 1 | * Stuffing box | |
| 14 | 961674 | 3 | * Hose clamp | |
| 15 | 825673 | X | * Rubber hose | D=30mm |
| | (827179) | X | * Rubber hose | Obsolete part, D=35mm |

D2-55A, D2-55B, D2-55C, D2-55D, D2-55E, D2-55F

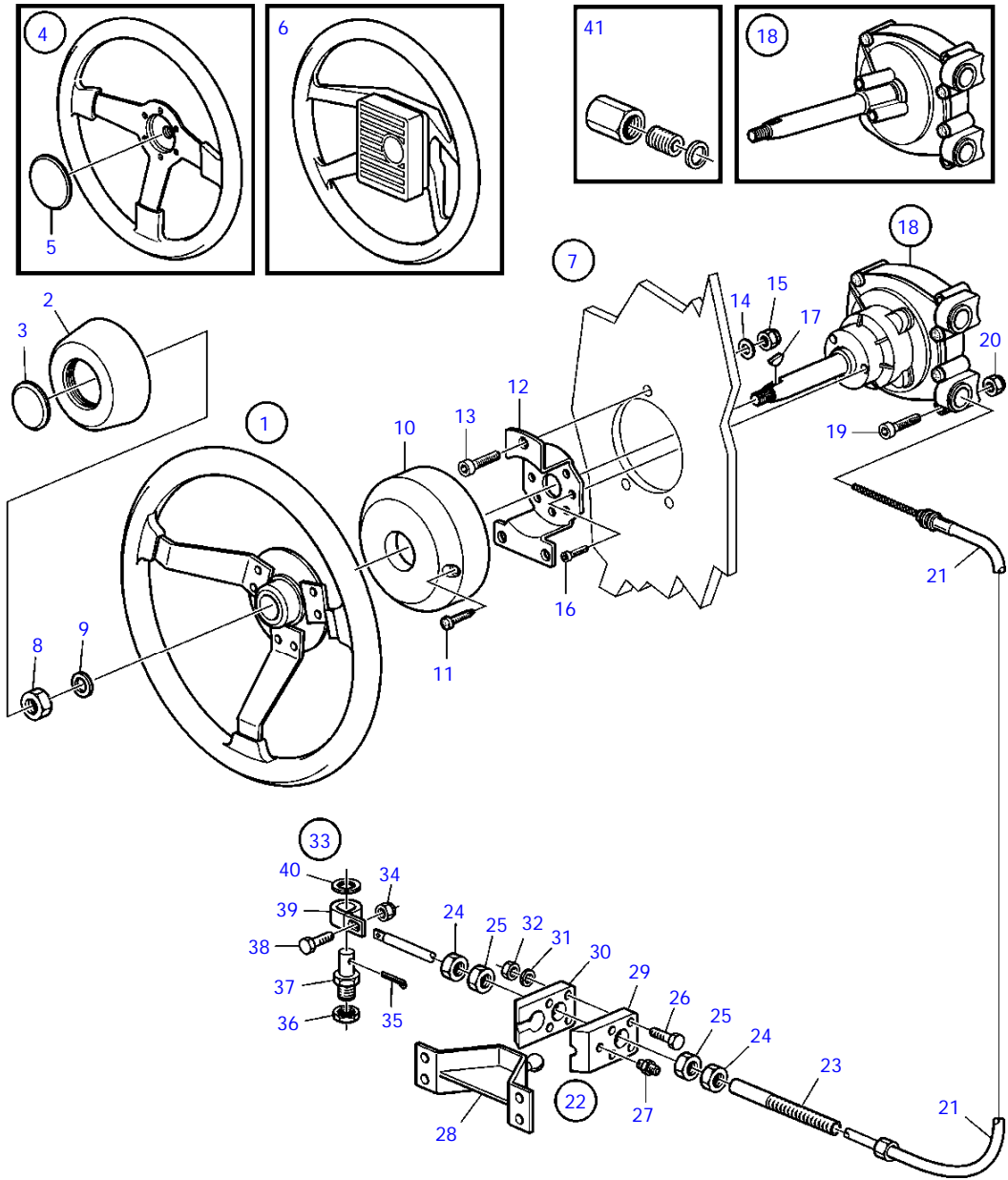


15565

D2-55A, D2-55B, D2-55C, D2-55D, D2-55E, D2-55F

| REF | PART NO. | QTY | DESCRIPTION | SEE SEC. | NOTES |
|-----|-----------|-----|------------------------|-------------|--|
| 1 | 850936 | 1 | Steering wheel | | |
| 2 | | 1 | * Steering wheel hub | | |
| 3 | (828943) | 1 | * Steering wheel pad | | Obsolete part |
| 4 | (1140660) | 1 | * Emblem | | (850938), Obsolete part |
| 5 | 3883509 | 1 | Mounting kit | | 90° white (853182) |
| | 3818098 | 1 | Mounting kit | | 90° black (1140023) |
| | 3883508 | 1 | Mounting kit | | 70° white (853183) |
| | 3818096 | 1 | Mounting kit | | |
| 6 | (3851613) | 1 | * Washer | | Obsolete part |
| 7 | 955793 | 1 | * Hexagon nut | | |
| 8 | 965325 | 2 | * Cross recessed screw | | |
| 9 | | 1 | * Cover | | |
| 10 | (3851612) | 1 | * Screw | | Obsolete part |
| 11 | (3851611) | 2 | * Bearing | | Obsolete part |
| 12 | 955298 | 4 | * Hexagon screw | | |
| 13 | 955894 | 4 | * Washer | | |
| 14 | 946036 | 4 | * Lock nut | | |
| 15 | 160807 | 1 | * Woodruff key | | |
| 16 | | 1 | * Steering head | | |
| 17 | 3818019 | 1 | Steering gear | | (853181) |
| | | | * Bulletin P-64-0-1 | P-64-0-1-EN | New OL Mechanical and Hydraulic Steering Systems |
| 18 | 3851614 | 1 | * Nut | | |
| 19 | 3840244 | 1 | Steering cable | | L=2,00m |
| | 3840245 | 1 | Steering cable | | L=2,25m |
| | 3840246 | 1 | Steering cable | | L=2,50m |
| | 3840247 | 1 | Steering cable | | L=2,75m |
| | 3840248 | 1 | Steering cable | | L=3,00m |
| | 3840249 | 1 | Steering cable | | L=3,25m |
| | 3840250 | 1 | Steering cable | | L=3,50m |
| | 3840251 | 1 | Steering cable | | L=3,75m |
| | 3840252 | 1 | Steering cable | | L=4,00m |
| | 3840253 | 1 | Steering cable | | L=4,25m |
| | 3840254 | 1 | Steering cable | | L=4,50m |
| | 3840255 | 1 | Steering cable | | L=4,75m |
| | 3840256 | 1 | Steering cable | | L=5,00m |
| | 3840257 | 1 | Steering cable | | L=5,25m |
| | 3840258 | 1 | Steering cable | | L=5,50m |
| | 3840259 | 1 | Steering cable | | L=5,75m |
| | 3840260 | 1 | Steering cable | | L=6,00m |
| | 3840261 | 1 | Steering cable | | L=6,25m |
| | 3840262 | 1 | Steering cable | | L=6,50m |
| | 3840263 | 1 | Steering cable | | L=6,75m |
| | 3840264 | 1 | Steering cable | | L=7,00m |
| | 3840265 | 1 | Steering cable | | L=7,25m |
| | 3840266 | 1 | Steering cable | | L=7,50m |
| | 3840267 | 1 | Steering cable | | L=7,75m |
| | 3840268 | 1 | Steering cable | | L=8,00m |
| | 3840270 | 1 | Steering cable | | L=8,25m |
| | 3840272 | 1 | Steering cable | | L=8,50m |
| | 3840273 | 1 | Steering cable | | L=8,75m |
| | 3840274 | 1 | Steering cable | | L=9,00m |
| 20 | (853291) | 1 | Ds unit | | Obsolete part |
| 21 | 853387 | 1 | * Steering cable | | |
| 22 | (853290) | 1 | Stern attachment | | Obsolete part |
| 22A | 850771 | 1 | * Anchorage | | |
| 22B | 850778 | 2 | * Nut | | |
| 23 | 853306 | 2 | * Nut | | |
| 24 | 851093 | 1 | * Bracket | | |
| 25 | 828857 | 1 | * Anchorage | | |
| 26 | 828854 | 1 | * Anchorage | | |
| 27 | 951739 | 1 | * Lubricating nipple | | |
| 28 | 940101 | 2 | * Hexagon screw | | |
| 29 | 941906 | 2 | * Spring washer | | |
| 30 | 963105 | 2 | * Lock nut | | |
| 31 | 828924 | 1 | * Ball joint kit | | |
| 32 | | 1 | * * Split pin bolt | | |
| 33 | (851116) | 1 | * * Bracket | | Obsolete part |
| 34 | 955897 | 1 | * * Washer | | |
| 35 | 967707 | 1 | * * Split pin | | |
| 36 | 963119 | 1 | * * Lock nut | | |
| 37 | (851118) | 1 | * * Shoulder screw | | Obsolete part |
| 38 | (966171) | 1 | * * Lock nut | | Obsolete part |
| 39 | 853214 | 1 | Adaptor | | For alternative steering cables. |

D2-55A, D2-55B, D2-55C, D2-55D, D2-55E, D2-55F

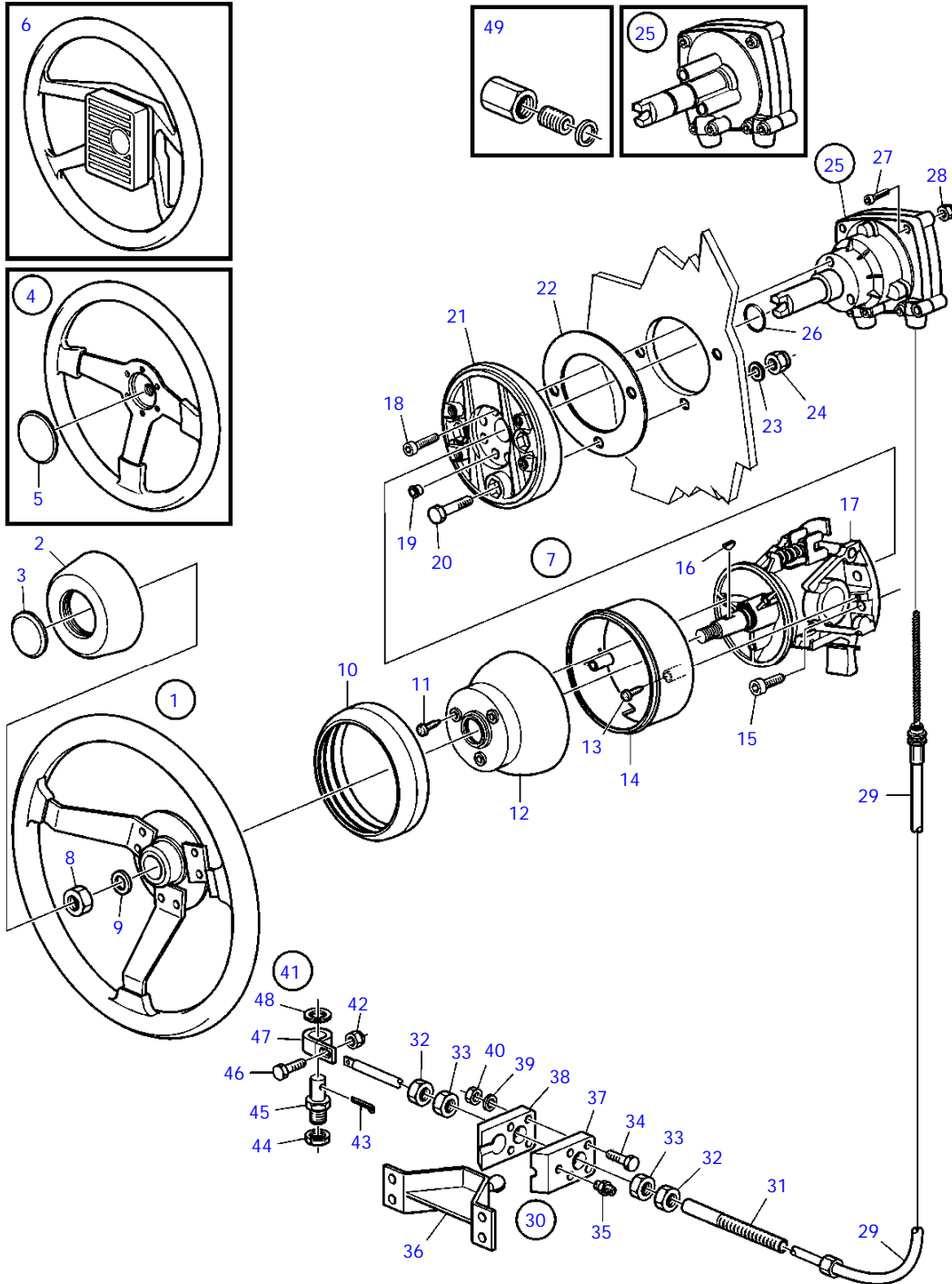


22681

D2-55A, D2-55B, D2-55C, D2-55D, D2-55E, D2-55F

| REF | PART NO. | QTY | DESCRIPTION | SEE SEC. | NOTES |
|-----|-----------|-----|------------------------|-------------|--|
| 1 | 850936 | 1 | Steering wheel | | |
| 2 | | 1 | * Steering wheel pad | | |
| 3 | (1140660) | 1 | * Emblem | | (850938), Obsolete part |
| 4 | 3843317 | 1 | Wheel | | |
| 5 | | 1 | * Emblem | | |
| 6 | 1140334 | 1 | Steering wheel | | |
| | 1140335 | | Steering wheel | | |
| 7 | 3818096 | 1 | Mounting kit | | 70° black |
| | 3818098 | 1 | Mounting kit | | 90° black |
| | 3883508 | 1 | Mounting kit | | 70° white |
| | 3883509 | 1 | Mounting kit | | 70° black |
| 8 | 971084 | 1 | * Lock nut | | |
| 9 | 955897 | 1 | * Washer | | |
| 10 | | 1 | * Cover | | 90° |
| | | 1 | * Cover | | 70° |
| 11 | 969476 | 2 | * 6 point socket screw | | |
| 12 | | 1 | * Bracket | | 90° |
| | | 1 | * Bracket | | 70° |
| 13 | 959226 | 3 | * Hex. socket screw | | |
| 14 | 976944 | 3 | * Washer | | |
| 15 | 946036 | 3 | * Lock nut | | |
| 16 | 959220 | 3 | * Hex. socket screw | | |
| 17 | 160807 | 1 | * Woodruff key | | |
| 18 | 3818019 | 1 | Steering gear | | Std, fixed wheel |
| | | | * Bulletin P-64-0-1 | P-64-0-1-EN | New QL Mechanical and Hydraulic Steering Systems |
| 18 | 3818023 | 1 | Steering gear | | No feedback, fixed wheel |
| | | | * Bulletin P-64-0-1 | P-64-0-1-EN | New QL Mechanical and Hydraulic Steering Systems |
| 19 | 955278 | 2 | * Hexagon screw | | |
| 20 | 963105 | 2 | * Lock nut | | |
| 21 | 3840244 | 1 | Steering cable | | L=2000mm |
| | 3840245 | 1 | Steering cable | | L=2250mm |
| | 3840246 | 1 | Steering cable | | L=2500mm |
| | 3840247 | 1 | Steering cable | | L=2750mm |
| | 3840248 | 1 | Steering cable | | L=3000mm |
| | 3840249 | 1 | Steering cable | | L=3250mm |
| | 3840250 | 1 | Steering cable | | L=3500mm |
| | 3840251 | 1 | Steering cable | | L=3750mm |
| | 3840252 | 1 | Steering cable | | L=4000mm |
| | 3840253 | 1 | Steering cable | | L=4250mm |
| | 3840254 | 1 | Steering cable | | L=4500mm |
| | 3840255 | 1 | Steering cable | | L=4750mm |
| | 3840256 | 1 | Steering cable | | L=5000mm |
| | 3840257 | 1 | Steering cable | | L=5250mm |
| | 3840258 | 1 | Steering cable | | L=5500mm |
| | 3840259 | 1 | Steering cable | | L=5750mm |
| | 3840260 | 1 | Steering cable | | L=6000mm |
| | 3840261 | 1 | Steering cable | | L=6250mm |
| | 3840262 | 1 | Steering cable | | L=6500mm |
| | 3840263 | 1 | Steering cable | | L=6750mm |
| | 3840264 | 1 | Steering cable | | L=7000mm |
| | 3840265 | 1 | Steering cable | | L=7250mm |
| | 3840266 | 1 | Steering cable | | L=7500mm |
| | 3840267 | 1 | Steering cable | | L=7750mm |
| | 3840268 | 1 | Steering cable | | L=8000mm |
| | 3840270 | 1 | Steering cable | | L=8250mm |
| | 3840272 | 1 | Steering cable | | L=8500mm |
| | 3840273 | 1 | Steering cable | | L=8750mm |
| | 3840274 | 1 | Steering cable | | L=9000mm |
| 22 | (853290) | 1 | Stern attachment | | Obsolete part |
| 23 | 850771 | 1 | * Anchorage | | |
| 24 | 850778 | 2 | * Nut | | |
| 25 | 853306 | 2 | * Nut | | |
| 26 | 940101 | 2 | * Hexagon screw | | |
| 27 | 951739 | 1 | * Lubricating nipple | | |
| 28 | 851093 | 1 | * Bracket | | |
| 29 | 828857 | 1 | * Anchorage | | |
| 30 | 828854 | 1 | * Anchorage | | |
| 31 | 941906 | 2 | * Spring washer | | |
| 32 | 963105 | 2 | * Lock nut | | |
| 33 | 828924 | 1 | * Ball joint kit | | |
| 34 | (966171) | 1 | * * Lock nut | | Obsolete part |
| 35 | 967707 | 1 | * * Split pin | | |
| 36 | 963119 | 1 | * * Lock nut | | |
| 37 | | 1 | * * Split pin bolt | | |
| 38 | | 1 | * * Shoulder screw | | |
| 39 | | 1 | * * Bracket | | |
| 40 | 955897 | 1 | * * Washer | | |
| 41 | 853214 | 1 | Adapter | | For alternative steering cables. |

D2-55A, D2-55B, D2-55C, D2-55D, D2-55E, D2-55F

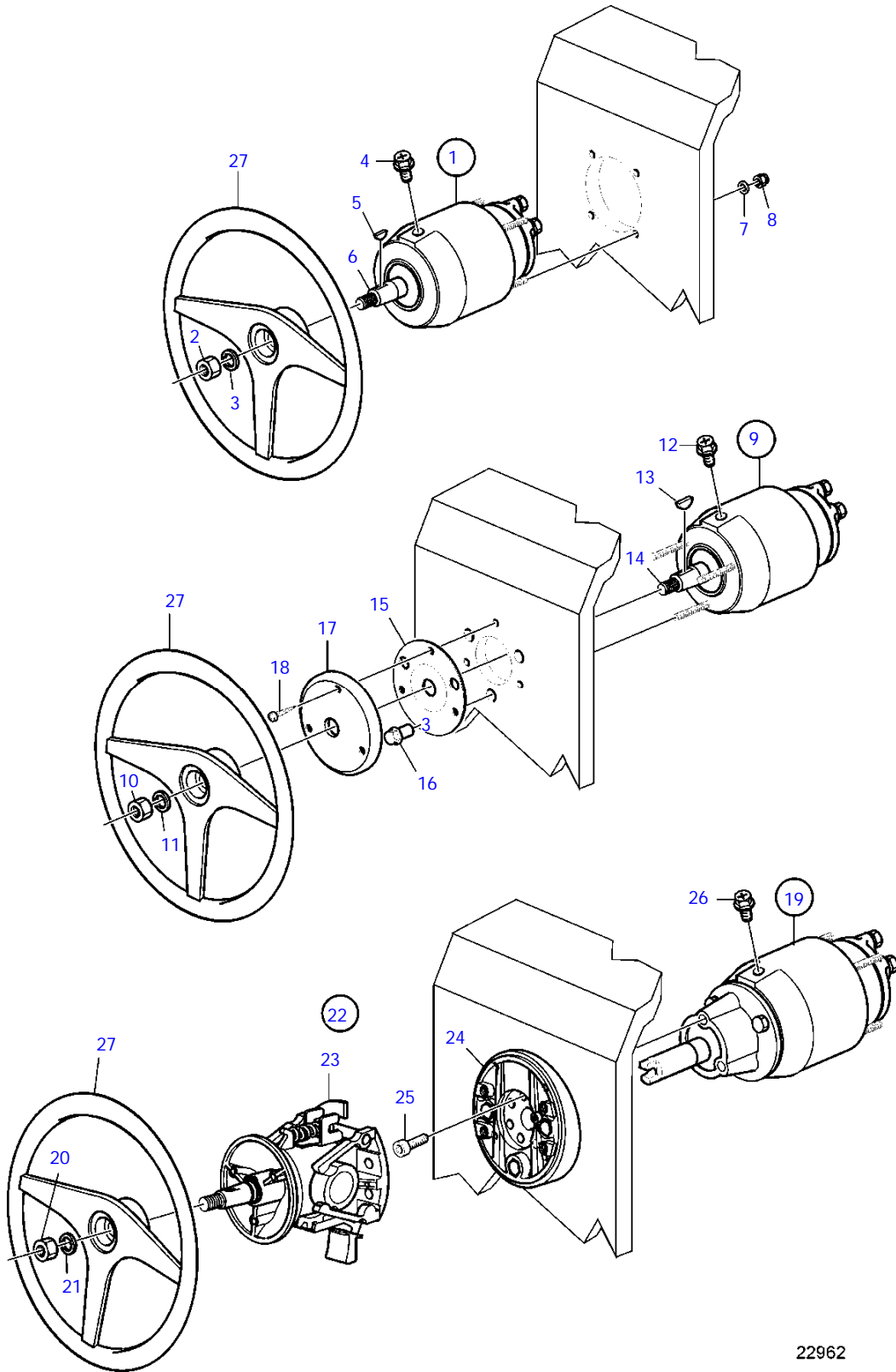


22685

D2-55A, D2-55B, D2-55C, D2-55D, D2-55E, D2-55F

| REF | PART NO. | QTY | DESCRIPTION | SEE SEC. | NOTES |
|-----|-----------|-----|----------------------|-------------|--|
| 1 | 850936 | 1 | Steering wheel | | Alt |
| 2 | | 1 | * Steering wheel pad | | |
| 3 | (1140660) | 1 | * Emblem | | (850938), Obsolete part |
| 4 | 3843317 | 1 | Wheel | | Alt |
| 5 | | 1 | * Emblem | | |
| 6 | 1140334 | 1 | Steering wheel | | Alt, white |
| | 1140335 | 1 | Steering wheel | | Alt, black |
| 7 | 3841280 | 1 | Steering wheel adjus | | |
| 8 | 971084 | 1 | * Lock nut | | |
| 9 | 955897 | 1 | * Washer | | |
| 10 | | 1 | * Sealing strip | | |
| 11 | | 3 | * Screw | | |
| 12 | | 1 | * Cover | | Agile |
| 13 | | 2 | * Screw | | |
| 14 | | 1 | * Cover | | Fixed |
| 15 | | 4 | * Allen head screw | | |
| 16 | 160807 | 1 | * Woodruff key | | |
| 17 | | 1 | * Anchorage | | Steering wheel |
| 18 | | 3 | * Allen head screw | | |
| 19 | | 5 | * Plug | | |
| 20 | | 3 | * Screw | | |
| 21 | | 1 | * Bracket | | |
| 22 | | 1 | * Gasket | | |
| 23 | | 3 | * Washer | | |
| 24 | | 3 | * Nut | | |
| 25 | 3818025 | 1 | Steering gear | | T81C |
| | | | * Bulletin P-64-0-1 | P-64-0-1-EN | New QL Mechanical and Hydraulic Steering Systems |
| 25 | 3818027 | 1 | Steering gear | | No-feedback, tilt wheel |
| | | | * Bulletin P-64-0-1 | P-64-0-1-EN | New QL Mechanical and Hydraulic Steering Systems |
| 26 | 990696 | 1 | * O-ring | | |
| 27 | 955278 | 2 | * Hexagon screw | | |
| 28 | 963105 | 2 | * Lock nut | | |
| 29 | 3840244 | 1 | Steering cable | | L=2000mm |
| | 3840245 | 1 | Steering cable | | L=2250mm |
| | 3840246 | 1 | Steering cable | | L=2500mm |
| | 3840247 | 1 | Steering cable | | L=2750mm |
| | 3840248 | 1 | Steering cable | | L=3000mm |
| | 3840249 | 1 | Steering cable | | L=3250mm |
| | 3840250 | 1 | Steering cable | | L=3500mm |
| | 3840251 | 1 | Steering cable | | L=3750mm |
| | 3840252 | 1 | Steering cable | | L=4000mm |
| | 3840253 | 1 | Steering cable | | L=4250mm |
| | 3840254 | 1 | Steering cable | | L=4500mm |
| | 3840255 | 1 | Steering cable | | L=4750mm |
| | 3840256 | 1 | Steering cable | | L=5000mm |
| | 3840257 | 1 | Steering cable | | L=5250mm |
| | 3840258 | 1 | Steering cable | | L=5500mm |
| | 3840259 | 1 | Steering cable | | L=5750mm |
| | 3840260 | 1 | Steering cable | | L=6000mm |
| | 3840261 | 1 | Steering cable | | L=6250mm |
| | 3840262 | 1 | Steering cable | | L=6500mm |
| | 3840263 | 1 | Steering cable | | L=6750mm |
| | 3840264 | 1 | Steering cable | | L=7000mm |
| | 3840265 | 1 | Steering cable | | L=7250mm |
| | 3840266 | 1 | Steering cable | | L=7500mm |
| | 3840267 | 1 | Steering cable | | L=7750mm |
| | 3840268 | 1 | Steering cable | | L=8000mm |
| | 3840270 | 1 | Steering cable | | L=8250mm |
| | 3840272 | 1 | Steering cable | | L=8500mm |
| | 3840273 | 1 | Steering cable | | L=8750mm |
| | 3840274 | 1 | Steering cable | | L=9000mm |
| 30 | (853290) | 1 | Stern attachment | | Obsolete part |
| 31 | 850771 | 1 | * Anchorage | | |
| 32 | 850778 | 2 | * Nut | | |
| 33 | 853306 | 2 | * Nut | | |
| 34 | 940101 | 2 | * Hexagon screw | | |
| 35 | 951739 | 1 | * Lubricating nipple | | |
| 36 | 851093 | 1 | * Bracket | | |
| 37 | 828857 | 1 | * Anchorage | | |
| 38 | 828854 | 1 | * Anchorage | | |
| 39 | 941906 | 2 | * Spring washer | | |
| 40 | 963105 | 2 | * Lock nut | | |
| 41 | 828924 | 1 | * Ball joint kit | | |
| 42 | (966171) | 1 | * Lock nut | | Obsolete part |
| 43 | 967707 | 1 | * Split pin | | |
| 44 | 963119 | 1 | * Lock nut | | |
| 45 | | 1 | * Split pin bolt | | |
| 46 | | 1 | * Shoulder screw | | |
| 47 | | 1 | * Bracket | | |
| 48 | 955897 | 1 | * Washer | | |
| 49 | 853214 | 1 | Adapter | | For alternative steering cables. |

D2-55A, D2-55B, D2-55C, D2-55D, D2-55E, D2-55F

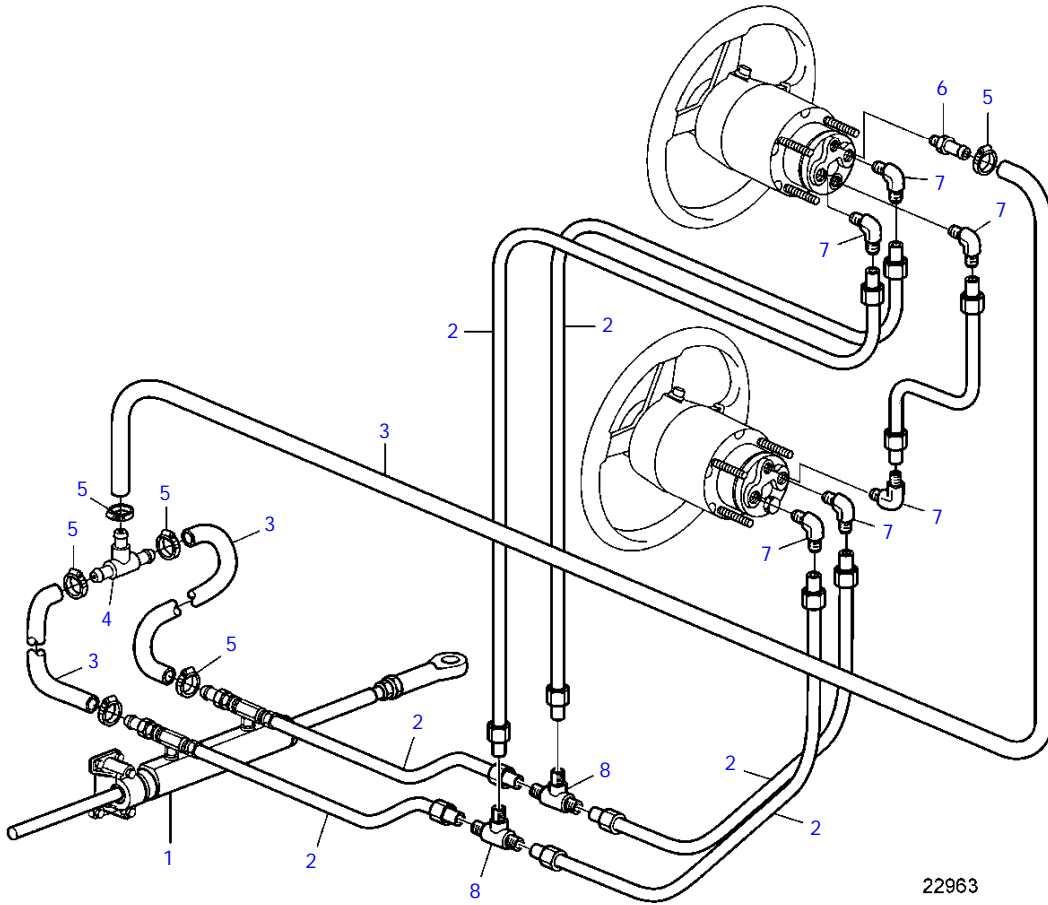
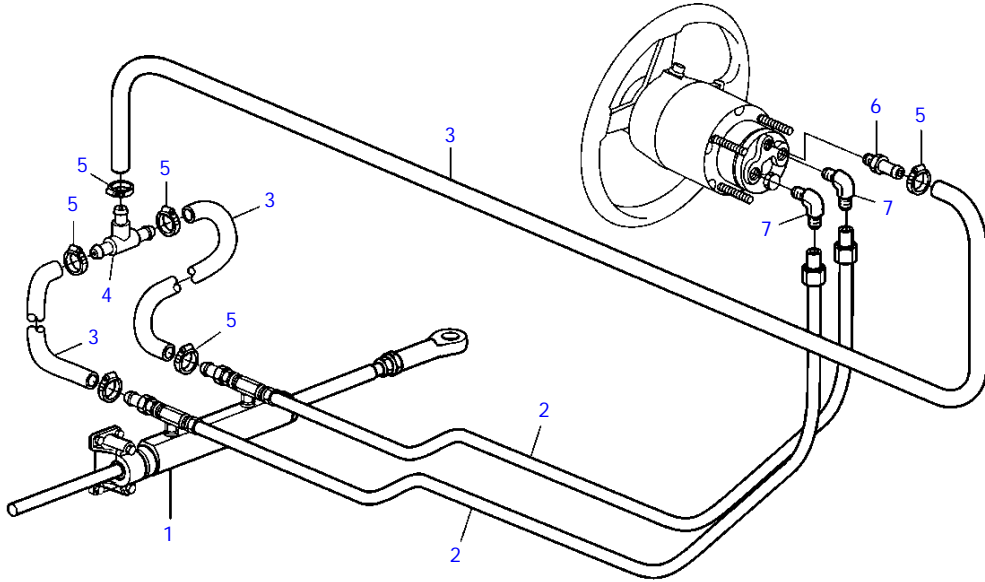


22962

D2-55A, D2-55B, D2-55C, D2-55D, D2-55E, D2-55F

| REF | PART NO. | QTY | DESCRIPTION | NOTES |
|-----|----------|-----|--------------------------|------------------------------|
| 1 | 3809971 | 1 | Pump piston | Front mounted., 28cc |
| | 3809972 | 1 | Pump piston | Front mounted., 33cc |
| | 3809973 | 1 | Pump piston | Front mounted., 39cc |
| 2 | | 1 | • Nut | |
| 3 | | 1 | • Washer | |
| 4 | 21164656 | 1 | • Plug, air venting | |
| | 3843214 | 1 | • Plug | |
| 5 | | 1 | • Wedge | |
| 6 | | 2 | • Elbow nipple | |
| 7 | | 4 | • Washer | |
| 8 | | 4 | • Lock nut | |
| 9 | 3809975 | 1 | Pump piston | Rear mounted., 28cc |
| | 3809976 | 1 | Pump piston | Rear mounted., 33cc |
| | 3809977 | 1 | Pump piston | Rear mounted., 39cc |
| 10 | | 1 | • Nut | |
| 11 | | 1 | • Washer | |
| 12 | 21164656 | 1 | • Plug, air venting | |
| | 3843214 | 1 | • Plug | |
| 13 | | 1 | • Wedge | |
| 14 | | 2 | • Elbow nipple | |
| 15 | | 1 | • Bracket | |
| 16 | | 3 | • Screw | |
| 17 | | 1 | • Cover | |
| 18 | | 3 | • Screw | |
| 19 | 3809978 | 1 | Pump piston | Tilt mounted steering., 28cc |
| | 21135046 | 1 | Pump piston | Tilt mounted steering., 33cc |
| | 3809980 | 1 | Pump piston | Tilt mounted steering., 39cc |
| 20 | | 1 | • Nut | |
| 21 | | 1 | • Washer | |
| 22 | 3841280 | 1 | • Steering wheel adjus | |
| 23 | | 1 | • • Steering wheel adjus | |
| 24 | | 1 | • • Bracket | |
| 25 | | 3 | • • Allen head screw | |
| 26 | 21164656 | 1 | • Plug, air venting | |
| | 3843214 | 1 | Plug | |
| 27 | 3843317 | 1 | Wheel | Alt |
| | 850936 | 1 | Steering wheel | Alt |

D2-55A, D2-55B, D2-55C, D2-55D, D2-55E, D2-55F

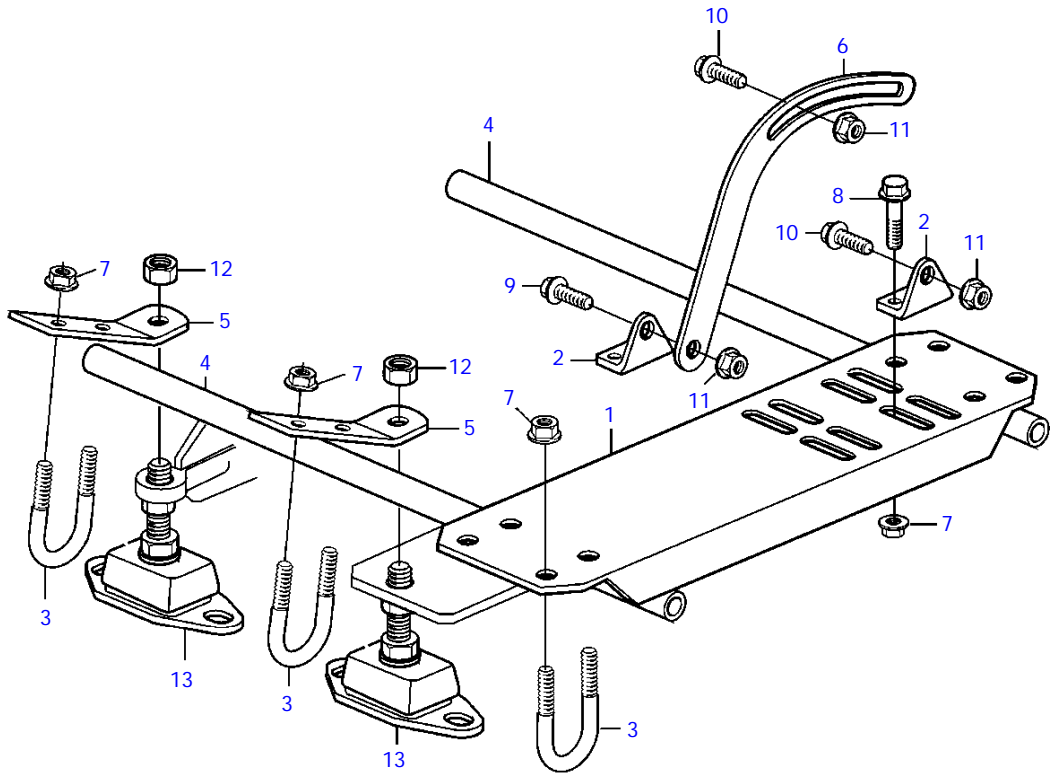


22963

D2-55A, D2-55B, D2-55C, D2-55D, D2-55E, D2-55F

| REF | PART NO. | QTY | DESCRIPTION | NOTES |
|-----|----------|-----|-----------------|--------------------------|
| 1 | 3809981 | 1 | Cylinder piston | |
| | 3809982 | 1 | Cylinder | 168cc |
| | 3809983 | 1 | Cylinder piston | 215cc |
| 2 | 1140584 | X | Pipe | |
| 3 | 192618 | X | Hose | |
| 4 | | 1 | T-nipple | Included in kit 3843251. |
| 5 | | 6 | Hose clamp | Included in kit 3843251. |
| 6 | | 1 | Nipple | Included in kit 3843251. |
| 7 | | 2 | Elbow nipple | Included in kit 3843217. |
| 8 | | 2 | T-nipple | Included in kit 1140583. |

D2-55A, D2-55B, D2-55C, D2-55D, D2-55E, D2-55F

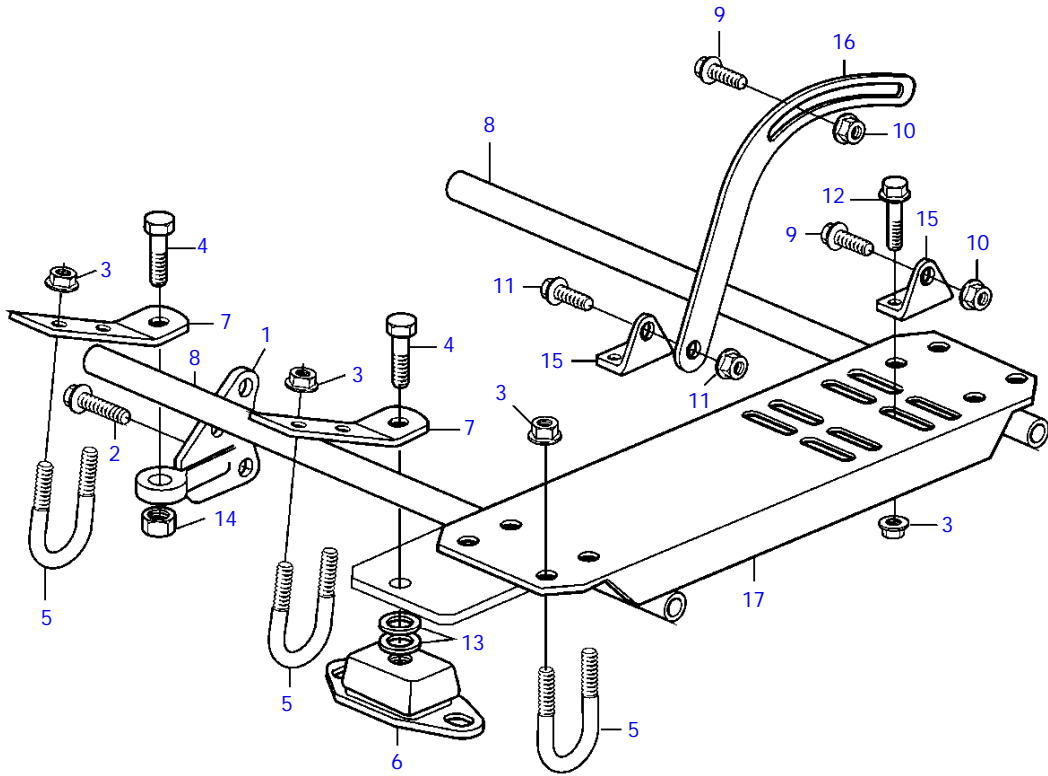


18973

D2-55A, D2-55B, D2-55C, D2-55D, D2-55E, D2-55F

| REF | PART NO. | QTY | DESCRIPTION | SEE SEC. |
|-----|----------|-----|-----------------|----------|
| 1 | 3580737 | 1 | Attaching plate | |
| 2 | 854607 | 4 | Bracket | |
| 3 | 3580739 | 8 | Clamp | |
| 4 | 3583506 | 2 | Tube | |
| 5 | 3583848 | 4 | Anchorage | |
| 6 | 854608 | 2 | Tensioner | |
| 7 | 945408 | 24 | Flange nut | |
| 8 | 945444 | 8 | Flange screw | |
| 9 | 946329 | 2 | Flange screw | |
| 10 | 946472 | 4 | Flange screw | |
| 11 | 971095 | 6 | Flange nut | |
| 12 | | 2 | Nut | |
| | | | * | |
| | | | * | 5505 |
| 13 | | 2 | Rubber cushion | |
| | | | * | |
| | | | * | 5505 |

D2-55A, D2-55B, D2-55C, D2-55D, D2-55E, D2-55F



18974

D2-55A, D2-55B, D2-55C, D2-55D, D2-55E, D2-55F

| REF | PART NO. | QTY | DESCRIPTION | SEE SEC. |
|-----|----------|-----|-----------------|----------|
| 1 | 859862 | 2 | Bracket | |
| 2 | 946329 | 6 | Flange screw | |
| 3 | 955805 | 2 | Hexagon nut | |
| 4 | 983842 | 4 | Hexagon screw | |
| 5 | 3580739 | 6 | Clamp | |
| 6 | | 1 | Rubber cushion | |
| | | | * | |
| | | | * | 9901 |
| 7 | 3583848 | 4 | Anchorage | |
| 8 | 3583506 | 2 | Tube | |
| 9 | 946472 | 4 | Flange screw | |
| 10 | 971095 | 6 | Flange nut | |
| 11 | 946329 | 2 | Flange screw | |
| 12 | 945444 | 8 | Flange screw | |
| 13 | | 2 | Washer | |
| | | | * | |
| | | | * | 9901 |
| 14 | | 1 | Nut | |
| | | | * | |
| | | | * | 9901 |
| 15 | 854607 | 4 | Bracket | |
| 16 | 854608 | 2 | Tensioner | |
| 17 | 3580737 | 1 | Attaching plate | |

D2-55A, D2-55B, D2-55C, D2-55D, D2-55E

| REF | PART NO. | QTY | DESCRIPTION | SEE SEC. | NOTES |
|-----|-----------|-----|-------------------------------------|----------|-----------------------|
| 1 | 877387 | 1 | Main bearing kit | 5485 | Std |
| | 3583692 | 4 | Piston | 5485 | |
| | 3583693 | 4 | Piston ring | 5485 | |
| | 877388 | 1 | Big-end bearing kit, set | 5485 | |
| | 3583674 | 1 | Thrust washer, set | | |
| | 3580543 | 2 | Thrust washer, set | | Lower |
| | (876688) | 1 | Repair kit, fuel feed pump | 5490 | Obsolete part, D2-55A |
| | (3580192) | 1 | * Tappet | | Obsolete part |
| | 3580197 | 1 | * O-ring | | |
| | 3580200 | 1 | * Gasket | | |
| | 877400 | 1 | Impeller | | |
| | 860921 | 1 | * Gasket | | |
| | 3583809 | 2 | * O-ring | | |
| | 3862178 | 1 | * Grease | | |
| | 877419 | 1 | Overhaul gasket kit, reconditioning | | |
| | 11992 | 4 | * Gasket | | |
| | 11994 | 2 | * Gasket | | |
| | 11996 | 3 | * Gasket | | |
| | 861851 | 1 | * O-ring | | |
| | 861897 | 1 | * O-ring | | |
| | 861997 | 1 | * O-ring | | |
| | 957177 | 4 | * Gasket | | |
| | 969011 | 5 | * Gasket | | |
| | 3580035 | 1 | * O-ring | | |
| | 3580040 | 2 | * O-ring | | |
| | 3580047 | 1 | * O-ring | | |
| | 3580087 | 1 | * Sealing ring | | |
| | 3580092 | 1 | * Sealing ring | | |
| | 3589332 | 1 | * O-ring | | |
| | 3580576 | 1 | * Plate | | |
| | 3580378 | 1 | * Gasket | | |
| | 3580380 | 1 | * O-ring | | |
| | 3580586 | 1 | * Sealing ring | | |
| | 3583552 | 1 | * Gasket | | |
| | 3583581 | 2 | * O-ring | | |
| | 3583700 | 1 | * Sealing | | |
| | 3583707 | 1 | * Gasket | | |
| | 3583710 | 1 | * Gasket | | |
| | 3589332 | 1 | * O-ring | | |
| | 3589335 | 1 | * Gasket | | |
| | 969011 | 2 | * Gasket | | |
| | 877418 | 1 | Repair kit, sea water pump | | |
| | | 1 | * Shaft | | |
| | 3583985 | 1 | * Cardboard tube | | |
| | 3583809 | 1 | * O-ring | | |
| | 841693 | 4 | * Screw | | |
| | 3583987 | 1 | * Sealing ring | | |
| | 3583988 | 1 | * Washer | | |
| | 925057 | 1 | * O-ring | | |
| | 860202 | 2 | * Bearing | | (3583989) |
| | 914451 | 1 | * Snap ring | | |
| | | 1 | * Wear ring | | |
| | 3583991 | 1 | * Locking clip | | |
| | 3583992 | 1 | * Sealing ring | | |
| | 3583993 | 1 | * Plug | | |
| | 3583994 | 1 | * Plug | | |
| | 3589322 | 1 | Gasket kit, decarbonizing | | |
| | 11992 | 4 | * Gasket | | |
| | 861897 | 1 | * O-ring | | |
| | 861997 | 1 | * O-ring | | |
| | 889486 | 1 | * Gasket | | |
| | 3580077 | 4 | * Gasket | | |
| | 21228429 | 1 | * Cylinder head gasket | | |
| | 3583546 | 1 | * Gasket | | |
| | 3580499 | 4 | * Gasket | | |
| | 3583658 | 1 | * Gasket | | |
| | 3583754 | 1 | * Gasket | | |
| | 3584112 | 1 | * Gasket | | |
| | 3589321 | 1 | Gasket kit, exhaust manifold | | D2-55A, D2-55B |
| | 11992 | 4 | * Gasket | | |
| | 859834 | 1 | * Gasket | | |
| | 859835 | 1 | * Gasket | | |
| | 3580514 | 1 | * Sealing ring | | |
| | 3583780 | 1 | * Gasket | | |
| | 3583781 | 1 | * Gasket | | |
| | 3580818 | 4 | * O-ring | | |
| | 3589455 | 1 | Gasket kit, exhaust manifold | | D2-55C |
| | 11992 | 4 | * Gasket | | |
| | 859835 | 1 | * Gasket | | |

D2-55A, D2-55B, D2-55C, D2-55D, D2-55E

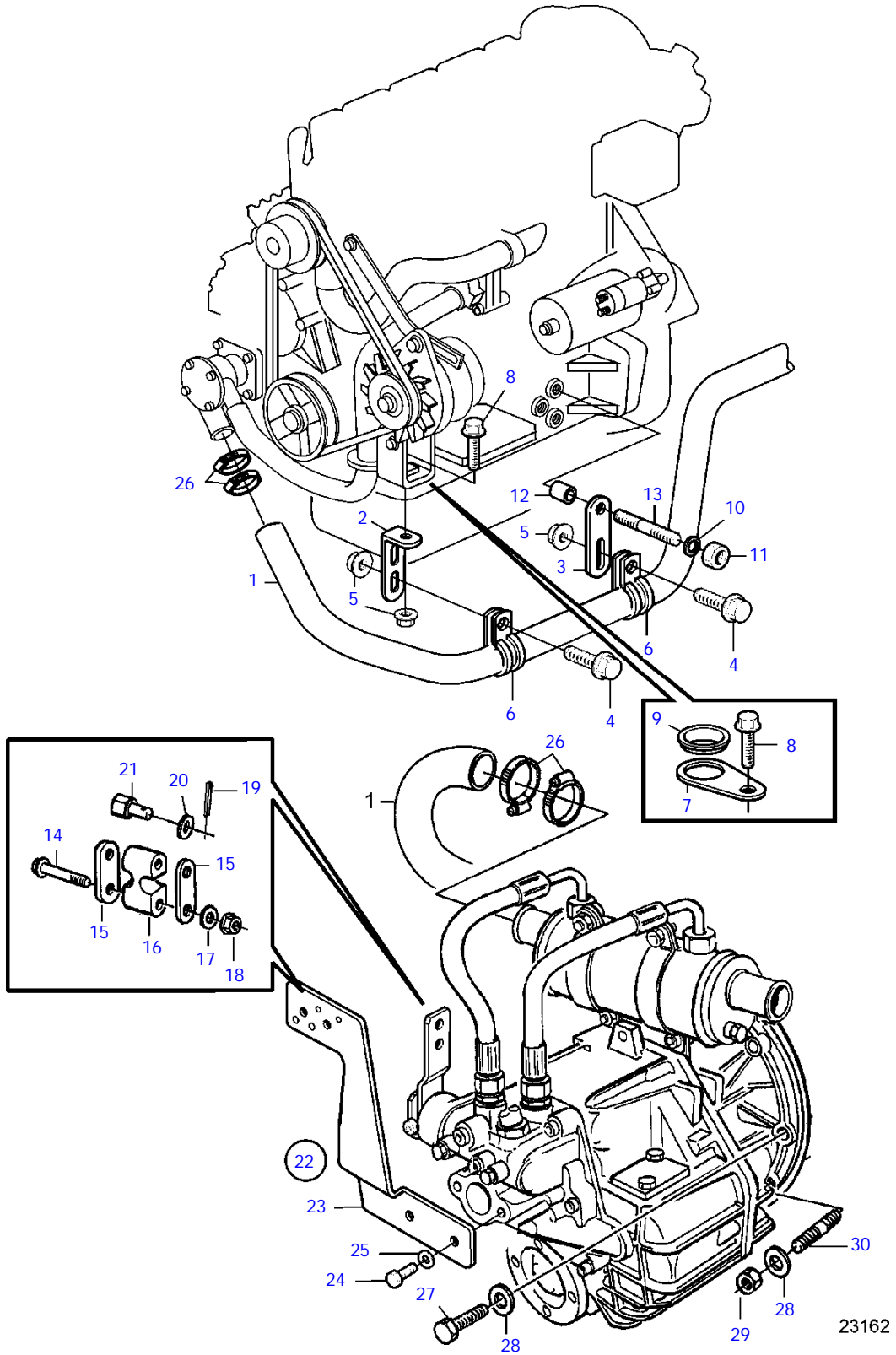
| REF | PART NO. | QTY | DESCRIPTION | SEE SEC. | NOTES |
|-----|------------|-----|------------------------------|-------------|---|
| | 888596 | 1 | * Gasket | | |
| | 3583830 | 1 | * O-ring | | |
| | 3581070 | 4 | * O-ring | | |
| | 3583781 | 1 | * Gasket | | |
| | 3586514 | 1 | * O-ring | | |
| | 21112450 | 1 | Rubber bellows, S-drive | | |
| | | 1 | Cover plate | | |
| | 8260041 | 1 | Spacer disc | | |
| | | 1 | Rubber bellows | | |
| | | 1 | Label | | |
| | 21112496 | 1 | Sealing ring kit | | 120S, MS25S |
| | 852668 | 1 | Locking wire | | |
| | 925256 | 1 | O-ring | | |
| | 3856834 | 1 | Gasket | | |
| | 21112497 | 1 | Sealing ring kit | | 130S, 150S |
| | 925256 | 1 | O-ring | | |
| | 944364 | 2 | O-ring | | |
| | 976994 | 1 | O-ring | | |
| | 3586693 | 1 | Gasket | | |
| | (877398) | 1 | Onboard kit | | Obsolete part, D2-55A, D2-55B |
| | 11992 | 4 | * Gasket | | |
| | 11994 | 4 | * Gasket | | |
| | 19923 | 2 | * Bulb | | |
| | 840785 | 2 | * Screw | | |
| | 858283 | 1 | * Tape | | |
| | 858635 | 1 | * Bag | | |
| | 861477 | 1 | * Fuel filter | | |
| | 873566 | 1 | * Fuse box | | |
| | 877400 | 1 | * Impeller | | |
| | | 1 | * * Impeller | | |
| | 860921 | 1 | * * Gasket | | |
| | 3583809 | 1 | * * O-ring | | |
| | 3862178 | 1 | * * Grease | | |
| | (876688) | 1 | * Repair kit | | Obsolete part |
| | 853548 | 1 | * Hose clamp | | |
| | 961669 | 1 | * Hose clamp | | |
| | 978710 | | * V-belt | | (967114) |
| | 3812280 | 1 | * * Onboard kit | | D2-55C |
| | | | * Bulletin P-26-6-3 | P-26-6-3-EN | Impeller kits, D2-75 |
| 1 | 11992 | 4 | * * Gasket | | |
| | 11994 | 4 | * * Gasket | | |
| | 19923 | 2 | * * Bulb | | |
| | 840785 | 2 | * * Screw | | |
| | 858283 | 1 | * * Tape | | |
| | 858635 | 1 | * * Bag | | |
| | 861477 | 1 | * * Fuel filter | | |
| | 873566 | 1 | * * Fuse box | | |
| | 3862567 | 1 | * * Impeller kit | | |
| | | | * Bulletin P-26-6-2 | P-26-6-2-EN | Impeller kits, Gas, to 2005 |
| 1 | (3862465) | 1 | * * * Impeller | | Obsolete part |
| | 3858938 | 1 | * * * O-ring | | |
| | 3862178 | 1 | * * * Grease | | |
| | 853548 | 1 | * * Hose clamp | | |
| | 961669 | 1 | * * Hose clamp | | |
| | 3584086 | 1 | * * Belt | | |
| | 3888305 | 1 | Anode kit, zinc anode | | |
| | (3887358) | 1 | * Anode, left | | Obsolete part |
| | (3887360) | 1 | * Anode, right | | Obsolete part |
| | 963688 | 2 | * Hex. socket screw | | |
| | 3888306 | 1 | Anode kit, magnesium anode | | |
| | (3887362) | 1 | * Anode, left | | Obsolete part |
| | (3887363) | 1 | * Anode, right | | Obsolete part |
| | 963688 | 2 | * Hex. socket screw | | |
| | 3589326 | 1 | Overhaul kit, sub unit | | |
| | 3580569 | 1 | * Gear | | |
| | 21169678 | 1 | * Water pump | | (3583561) |
| | 3801345 | 1 | * Coolant pump, exch | | (3583561) |
| | 3580592 | 4 | * Injector | | |
| | 3803442 | 4 | * Injector, exch | | |
| | 877720 | 1 | Overhaul kit, basic | | |
| | 3583693 | 4 | Piston ring | | |
| | 877387 | 1 | Main bearing kit | | |
| | 877388 | 1 | Big-end bearing kit | | |
| | 877419 | 1 | Overhaul gasket kit | | |
| | 3583674 | 1 | Thrust washer | | |
| | 3580543 | 2 | Thrust washer | | |
| | 3589322 | 1 | Gasket kit | | |
| | 3589321 | 1 | Gasket kit | | |
| | (21282754) | 1 | Repair kit, oil suction pipe | | Obsolete part, For suction pipe with flange |
| | 21194503 | 1 | * Pipe | | |
| | 3583552 | 1 | * Gasket | | |
| | 861997 | 1 | * O-ring | | |

| REF | PART NO. | QTY | DESCRIPTION | SEE SEC. | NOTES |
|-----|----------|-----|------------------------------------|----------|--------------------|
| 1 | 877387 | 1 | Main bearing kit | 6745 | |
| | 21301841 | 4 | Piston kit | 6745 | (3584122) |
| | 21301848 | 4 | Piston ring kit | 6745 | |
| | 877388 | 1 | Big-end bearing kit,set | 6745 | |
| | 3583674 | 1 | Thrust washer,set | | Upper |
| | 3580543 | 2 | Thrust washer,set | | Lower |
| | 877400 | 1 | Impeller | | |
| | 860921 | 1 | * Gasket | | |
| | 3583809 | 2 | * O-ring | | |
| | 3862178 | 1 | * Grease | | |
| | 877419 | 1 | Overhaul gasket kit,reconditioning | | |
| | 11992 | 4 | * Gasket | | |
| | 11994 | 2 | * Gasket | | |
| | 11996 | 3 | * Gasket | | |
| | 861851 | 1 | * O-ring | | |
| | 861897 | 1 | * O-ring | | |
| | 861997 | 1 | * O-ring | | |
| | 957177 | 4 | * Gasket | | |
| | 969011 | 5 | * Gasket | | |
| | 3580035 | 1 | * O-ring | | |
| | 3580040 | 2 | * O-ring | | |
| | 3580047 | 1 | * O-ring | | |
| | 3580087 | 1 | * Sealing ring | | |
| | 3580092 | 1 | * Sealing ring | | |
| | 3580576 | 1 | * Plate | | |
| | 3580378 | 1 | * Gasket | | |
| | 3580380 | 1 | * O-ring | | |
| | 3580586 | 1 | * Sealing ring | | |
| | 3583552 | 1 | * Gasket | | |
| | 3583581 | 2 | * O-ring | | |
| | 3583700 | 1 | * Sealing | | |
| | 3583707 | 1 | * Gasket | | |
| | 3583710 | 1 | * Gasket | | |
| | 3589332 | 1 | * O-ring | | |
| | 3589335 | 1 | * Gasket | | |
| | 969011 | 2 | * Gasket | | |
| | 3589322 | 1 | Gasket kit,decarbonizing | | |
| | 11992 | 4 | * Gasket | | |
| | 861897 | 1 | * O-ring | | |
| | 861997 | 1 | * O-ring | | |
| | 889486 | 1 | * Gasket | | |
| | 3580077 | 4 | * Gasket | | |
| | 21228429 | 1 | * Cylinder head gasket | | |
| | 3583546 | 1 | * Gasket | | |
| | 3580499 | 4 | * Gasket | | |
| | 3583658 | 1 | * Gasket | | |
| | 3583754 | 1 | * Gasket | | |
| | 3584112 | 1 | * Gasket | | |
| | 3589320 | 1 | Gasket kit,turbo connect. | | |
| | 18665 | 2 | * Gasket | | |
| | 3583581 | 1 | * O-ring | | |
| | 3584104 | 1 | * Gasket | | |
| | 3584110 | 2 | * Gasket | | |
| | 21194801 | 1 | * Gasket | | |
| | 3589455 | 1 | Gasket kit,exhaust manifold | | |
| | 11992 | 4 | * Gasket | | |
| | 859835 | 1 | * Gasket | | |
| | 888596 | 1 | * Gasket | | |
| | 3583830 | 1 | * O-ring | | |
| | 3581070 | 8 | * O-ring | | |
| | 3583781 | 1 | * Gasket | | |
| | 3586514 | 1 | * O-ring | | |
| | 877418 | 1 | Repair kit,sea water pump | | |
| | | 1 | * Shaft | | |
| | 3583985 | 1 | * Cardboard tube | | |
| | 3583809 | 1 | * O-ring | | |
| | 841693 | 4 | * Screw | | |
| | 3583987 | 1 | * Sealing ring | | |
| | 3583988 | 1 | * Washer | | |
| | 925057 | 1 | * O-ring | | |
| | 3583989 | 2 | * Ball bearing | | Replaced by 860202 |
| | 860202 | 2 | * Bearing | | |
| | 914451 | 1 | * Snap ring | | |
| | | 1 | * Wear ring | | |
| | 3583991 | 1 | * Locking clip | | |
| | 3583992 | 1 | * Sealing ring | | |
| | 3583993 | 1 | * Plug | | |
| | 3583994 | 1 | * Plug | | |
| | 21112450 | 1 | Rubber bellows,S-drive | | |

| |
|--|
| |
|--|

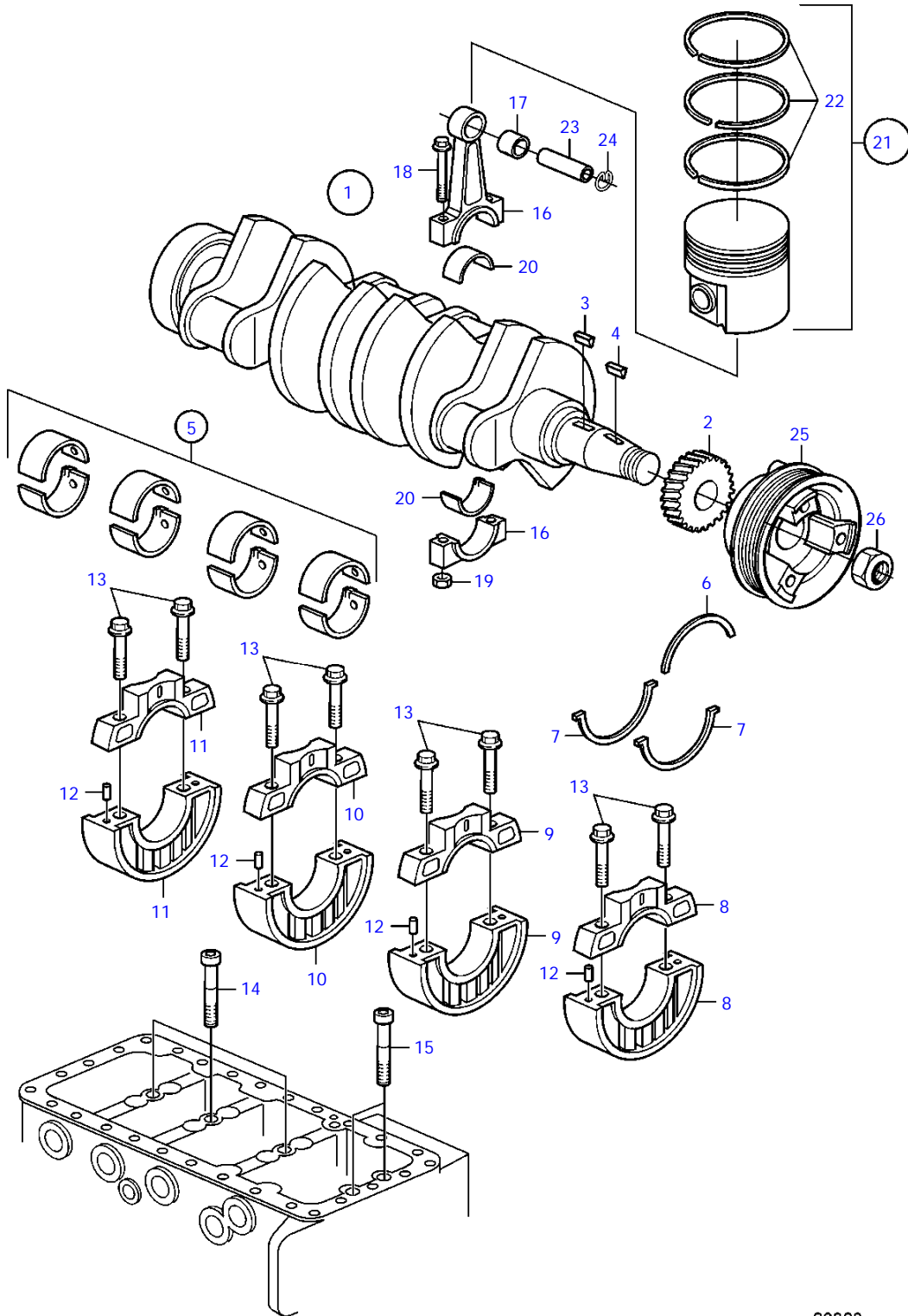
| REF | PART NO. | QTY | DESCRIPTION | SEE SEC. | NOTES |
|-----|------------|-----|-----------------------------|-------------|-----------------------------|
| | | 1 | * Cover plate | | |
| | 8260041 | 1 | * Spacer disc | | |
| | | 1 | * Rubber bellows | | |
| | | 1 | * Label | | |
| | 21112496 | 1 | * Sealing ring kit | | 120S, MS25S |
| | 852668 | 1 | * Locking wire | | |
| | 925256 | 1 | * O-ring | | |
| | 3856834 | 1 | * Gasket | | |
| | 21112497 | 1 | * Sealing ring kit | | 130S, 150S |
| | 925256 | 1 | * O-ring | | |
| | 944364 | 2 | * O-ring | | |
| | 976994 | 1 | * O-ring | | |
| | 3586693 | 1 | * Gasket | | |
| | 3812280 | 1 | Onboard kit | | |
| | | | * Bulletin P-26-6-3 | P-26-6-3-EN | Impeller kits, D2-75 |
| 1 | 11992 | 4 | * Gasket | | |
| | 11994 | 4 | * Gasket | | |
| | 19923 | 2 | * Bulb | | |
| | 840785 | 2 | * Screw | | |
| | 858283 | 1 | * Tape | | |
| | 858635 | 1 | * Bag | | |
| | 861477 | 1 | * Fuel filter | | |
| | 873566 | 1 | * Fuse box | | |
| | 3862567 | 1 | * Impeller kit | | |
| | | | * Bulletin P-26-6-2 | P-26-6-2-EN | Impeller kits, Gas, to 2005 |
| 1 | (3862465) | 1 | * Impeller | | Obsolete part |
| | 3858938 | 1 | * O-ring | | |
| | 3862178 | 1 | * Grease | | |
| | 853548 | 1 | Hose clamp | | |
| | 961669 | 1 | Hose clamp | | |
| | 3584086 | 1 | Belt | | |
| | 3888305 | 1 | Anode kit,zinc anode | | |
| | (3887358) | 1 | * Anode,left | | Obsolete part |
| | (3887360) | 1 | * Anode,right | | Obsolete part |
| | 963688 | 2 | * Hex. socket screw | | |
| | 3888306 | 1 | Anode kit,magnesium anode | | |
| | (3887362) | 1 | * Anode,left | | Obsolete part |
| | (3887363) | 1 | * Anode,right | | Obsolete part |
| | 963688 | 2 | * Hex. socket screw | | |
| | (21282754) | 1 | Repair kit,oil suction pipe | | Obsolete part |
| | 3583552 | 1 | * Gasket | | |
| | 21194503 | 1 | * Pipe | | |
| | 861997 | 1 | * O-ring | | |
| | 21194501 | 1 | Filter | | |
| | 21189426 | 1 | * Service kit | | Obsolete part |
| | 861477 | 1 | * Fuel filter | | |
| | 877400 | 1 | * Impeller | | |
| | 3840525 | 1 | * Oil filter | | |

D2-55A, D2-55B, D2-55C, D2-55D, D2-55E, D2-55F



D2-55A, D2-55B, D2-55C, D2-55D, D2-55E, D2-55F

| REF | PART NO. | QTY | DESCRIPTION | NOTES |
|-----|----------|-----|----------------------|----------------------|
| 1 | 3583367 | 1 | Hose | For HS25A-A |
| 2 | 965555 | 1 | Bracket | |
| 3 | 965535 | 1 | Bracket | |
| 4 | 946440 | 2 | Flange screw | |
| 5 | 945408 | 3 | Flange nut | |
| 6 | 949850 | 2 | Clamp | |
| 7 | 3580250 | 1 | Stay | |
| 8 | 946671 | 1 | Flange screw | |
| 9 | 3580251 | 1 | Grommet | |
| 10 | 845988 | 1 | Spacer sleeve | |
| 11 | 3583789 | 1 | Nut | |
| 12 | 3582401 | 1 | Adapler | |
| 13 | 924083 | 1 | Stud | |
| 14 | 969439 | 2 | 6 point socket screw | M5x40mm |
| 15 | 872076 | 2 | Washer | |
| 16 | 872074 | 1 | Retainer | |
| 17 | 940090 | 2 | Washer | |
| 18 | 949874 | 1 | Flange lock nut | |
| 19 | 17276 | 1 | Split pin | |
| 20 | 941906 | 1 | Spring washer | |
| 21 | 3852329 | 1 | Cube | |
| 22 | 21159822 | 1 | Bracket kit | |
| 23 | 3581960 | 1 | • Bracket | Replaced by 21159822 |
| 24 | 940133 | 2 | • Hexagon screw | |
| 25 | 976945 | 2 | • Washer | |
| 26 | 943476 | 4 | Hose clamp | |
| 27 | 940134 | 4 | Hexagon screw | |
| 28 | 955896 | 6 | Washer | |
| 29 | 940157 | 2 | Hexagon nut | |
| 30 | 953288 | 2 | Stud | |



20023

| REF | PART NO. | QTY | DESCRIPTION | NOTES |
|-----|----------|-----|---------------------|--------|
| 1 | 3583549 | 1 | Crankshaft | |
| 2 | 3580532 | 1 | * Gear | D2-75A |
| | 21274781 | 1 | * Gear | D2-75F |
| 3 | 861969 | 1 | * Woodruff key | |
| 4 | 861934 | 1 | * Key | |
| 5 | 877387 | 1 | Main bearing kit | |
| 6 | 3583674 | 1 | Thrust washer,upper | |
| 7 | 3580543 | 2 | Thrust washer,lower | |
| 8 | | 1 | Main bearing | |
| 9 | | 1 | Main bearing | |
| 10 | | 1 | Main bearing | |
| 11 | | 1 | Main bearing | |
| 12 | | 4 | Pin | |
| 13 | 965221 | 8 | Flange screw | |
| 14 | 965188 | 3 | Flange screw | |
| 15 | 3583673 | 2 | Screw | |
| 16 | 3583683 | 4 | Connecting rod | |
| 17 | 3580553 | 1 | * Bushing | |
| 18 | 3580554 | 2 | * Screw | |
| 19 | 3580555 | 2 | * Nut | |
| 20 | 877388 | 1 | Big-end bearing kit | |
| 21 | 21301841 | 4 | Piston kit | |
| 22 | 21301848 | 4 | * Piston ring kit | |
| 23 | 3580550 | 4 | Piston pin | |
| 24 | 3580551 | 8 | Lock ring | |
| 25 | 3584084 | 1 | Pulley | D2-75A |
| | 21194509 | 1 | Pulley | D2-75F |
| 26 | 3580563 | 1 | Nut | |

| |
|--|
| |
|--|

| DESCRIPTION | SEE SEC. | NOTES |
|---|----------|--|
| Cylinder Head | 5476 | D2-55A, D2-55B, D2-55C, D2-55D, D2-55E |
| Cylinder Head | 35117 | D2-55F |
| Cylinder Block and Flywheel Housing | 5301 | D2-55A, D2-55B, D2-55C, D2-55D, D2-55E |
| Cylinder Block and Flywheel Housing | 35209 | D2-55F |
| Timing Gear Housing | 5479 | D2-55A, D2-55B, D2-55C, D2-55D, D2-55E |
| Timing Gear Housing | 35356 | D2-55F |
| Camshaft and Gears | 5484 | D2-55A, D2-55B, D2-55C, D2-55D, D2-55E |
| Camshaft and Gears | 35121 | D2-55F |
| Crank Mechanism | 5485 | D2-55A, D2-55B, D2-55C, D2-55D, D2-55E, D2-55F |
| Engine Suspension for Reverse Gear | 9947 | D2-55A, D2-55B, D2-55C, D2-55D, D2-55E, D2-55F |
| Engine Suspension, Sail Boat Drive Unit | 9948 | D2-55A, D2-55B, D2-55C, D2-55D, D2-55E, D2-55F |
| Extra Pulley | 9305 | D2-55A, D2-55B, D2-55C, D2-55D, D2-55E, D2-55F |

| | | |
|--|--|--|
| | | |
|--|--|--|



| |
|--|
| |
|--|

| DESCRIPTION | SEE SEC. | NOTES |
|-------------------------------|----------|--|
| Lubricating System | 5488 | D2-55A, D2-55B, D2-55C, D2-55D, D2-55E |
| Lubricating System | 35154 | D2-55F |
| Electrical Oil Bilge Pump 12V | 8312 | D2-55A, D2-55B, D2-55C, D2-55D, D2-55E, D2-55F |
| Electrical Oil Bilge Pump 24V | 8317 | D2-55A, D2-55B, D2-55C, D2-55D, D2-55E, D2-55F |
| | | |



| |
|--|
| |
|--|

| DESCRIPTION | SEE SEC. | NOTES |
|--|----------|--|
| Fuel System | 5492 | D2-55A, D2-55B, D2-55C, D2-55D, D2-55E |
| Fuel System | 35132 | D2-55F |
| Regulation System | 6810 | D2-55A, D2-55B, D2-55C, D2-55D, D2-55E |
| Regulation System | 35358 | D2-55F |
| Fuel Injector, Components | 232 | D2-55A, D2-55B, D2-55C, D2-55D, D2-55E, D2-55F |
| Fuel Injection Pump, Components | 8184 | D2-55A, D2-55B, D2-55C, D2-55D, D2-55E |
| Fuel Filter and Feed Pump | 5489 | D2-55A |
| Fuel Filter and Feed Pump | 6754 | D2-55A, D2-55B, D2-55C, D2-55D, D2-55E |
| Fuel Filter and Feed Pump | 35134 | D2-55F |
| Fuel Filter and Water Separator, RINA-approved | 9025 | D2-55A, D2-55B, D2-55C, D2-55D, D2-55E, D2-55F |
| Fuel Feed Pump, Components | 5490 | D2-55A |
| Fuel Filter and Water Separator | 292 | D2-55A, D2-55B, D2-55C, D2-55D, D2-55E, D2-55F |
| Fuel Filter and Water Separator, RINA-approved | 293 | D2-55A, D2-55B, D2-55C, D2-55D, D2-55E, D2-55F |
| Fuel Filter and Water Separator | 9044 | D2-55A, D2-55B, D2-55C, D2-55D, D2-55E, D2-55F |
| Fuel Tank 20 L | 211 | D2-55A, D2-55B, D2-55C, D2-55D, D2-55E, D2-55F |
| Fuel Tank 40L, with Connections | 21534 | D2-55A, D2-55B, D2-55C, D2-55D, D2-55E, D2-55F |
| Fuel Filter and Water Separator | 9024 | D2-55A, D2-55B, D2-55C, D2-55D, D2-55E, D2-55F |

| | | |
|--|--|--|
| | | |
|--|--|--|

| |
|--|
| |
|--|

| DESCRIPTION | SEE SEC. | NOTES |
|--|----------|--|
| Exhaust Pipe | 5494 | D2-55A, D2-55B |
| Exhaust Pipe | 7488 | D2-55C, D2-55D, D2-55E, D2-55F |
| Silencer, Inlet | 5507 | D2-55A, D2-55B, D2-55C, D2-55D, D2-55E, D2-55F |
| Water Cooled Silencer and Exhaust Line | 360 | D2-55A, D2-55B, D2-55C, D2-55D, D2-55E, D2-55F |
| Water Cooled Silencer and Exhaust Line | 1007 | D2-55A, D2-55B, D2-55C, D2-55D, D2-55E, D2-55F |
| | | |



| DESCRIPTION | SEE SEC. | NOTES |
|---|----------|--|
| Heat Exchanger with Integrated Exhaust Pipe | 5493 | D2-55A, D2-55B |
| Heat Exchanger | 7504 | D2-55C |
| Heat Exchanger | 21497 | D2-55D, D2-55E, D2-55F |
| Heat Exchanger, Components | 7491 | D2-55A, D2-55B |
| Heat Exchanger, Components | 9867 | D2-55C, D2-55D, D2-55F |
| Expansion Tank | 573 | D2-55A, D2-55B, D2-55C, D2-55D, D2-55E, D2-55F |
| Kit for Expansion Tank Bulk Head Mounted | 7505 | D2-55B |
| Water Pump | 5495 | D2-55A, D2-55B, D2-55C, D2-55D, D2-55E |
| Water Pump | 35136 | D2-55F |
| Sea Water Pump | 5496 | D2-55A, D2-55B, D2-55C, D2-55D, D2-55E, D2-55F |
| Sea Water Pump, Components: 3583089 | 7171 | D2-55A, D2-55B, D2-55C, D2-55D, D2-55E, D2-55F |
| Sea Water Filter | 207 | D2-55A, D2-55B, D2-55C, D2-55D, D2-55E, D2-55F |
| Sea Water Filter | 5517 | D2-55A, D2-55B, D2-55C, D2-55D, D2-55E, D2-55F |
| Sea Water Filter | 5521 | D2-55A, D2-55B, D2-55C, D2-55D, D2-55E, D2-55F |
| Cooling Water Intake | 9346 | D2-55A, D2-55B, D2-55C, D2-55D, D2-55E, D2-55F |
| Cooling Water Intake | 9864 | D2-55A, D2-55B, D2-55C, D2-55D, D2-55E, D2-55F |
| Vacuum Valve | 5520 | D2-55A, D2-55B |
| Vacuum Valve | 9760 | D2-55C, D2-55D, D2-55E, D2-55F |
| Hot Water Outlet | 9958 | D2-55A, D2-55B |
| Hot Water Outlet | 9959 | D2-55C, D2-55D, D2-55E, D2-55F |

| |
|--|
| |
|--|

| DESCRIPTION | SEE SEC. | NOTES |
|---|----------|--|
| Control for top Installation, PC740, Single | 9532 | D2-55A, D2-55B, D2-55C, D2-55D, D2-55E, D2-55F |
| Control for top Installation, PC740, Twin | 9533 | D2-55A, D2-55B, D2-55C, D2-55D, D2-55E, D2-55F |
| Control for top Installation, PC740 Sail Boat | 267 | D2-55A, D2-55B, D2-55C, D2-55D, D2-55E, D2-55F |
| Control for top Installation, PC840, Single | 9950 | D2-55A, D2-55B, D2-55C, D2-55D, D2-55E, D2-55F |
| Control for top Installation, PC840, Twin | 9951 | D2-55A, D2-55B, D2-55C, D2-55D, D2-55E, D2-55F |
| Control for Side Installation, PC741 | 9534 | D2-55A, D2-55B, D2-55C, D2-55D, D2-55E, D2-55F |
| Control for Side Installation, PC741, Sail Boat | 9535 | D2-55A, D2-55B, D2-55C, D2-55D, D2-55E, D2-55F |
| Control for Side Installation, PC841 | 9536 | D2-55A, D2-55B, D2-55C, D2-55D, D2-55E, D2-55F |
| Handle for Control | 266 | D2-55A, D2-55B, D2-55C, D2-55D, D2-55E, D2-55F |
| Control Cables | 36542 | D2-55A, D2-55B, D2-55C, D2-55D, D2-55E, D2-55F |
| Control Cables, Type 233, 333, 443: Type 233 | 231 | D2-55A, D2-55B, D2-55C, D2-55D, D2-55E, D2-55F |
| Control Cables, Type 233, 333, 443: Type 333 | 231B | D2-55A, D2-55B, D2-55C, D2-55D, D2-55E, D2-55F |
| Control Cables, Type 233, 333, 443: Type 443 | 231C | D2-55A, D2-55B, D2-55C, D2-55D, D2-55E, D2-55F |
| Control Connection, Speed and Stop Control | 5506 | D2-55A, D2-55B, D2-55C, D2-55D, D2-55E |
| Control Connection | 35359 | D2-55F |
| Dual Station Unit | 277 | D2-55A, D2-55B, D2-55C, D2-55D, D2-55E, D2-55F |

| | | |
|--|--|--|
| | | |
|--|--|--|



| DESCRIPTION | SEE SEC. | NOTES |
|---|----------|--|
| Alternator | 5504 | D2-55A, D2-55B |
| Alternator | 6749 | D2-55C, D2-55D, D2-55E, D2-55F |
| Alternator 14V 60A, Components: 872235 | 21500 | D2-55A, D2-55B |
| Alternator 14V 115A, Components | 9893 | D2-55C, D2-55D, D2-55E, D2-55F |
| Extra Alternator | 5510 | D2-55A, D2-55B, D2-55C, D2-55D, D2-55E |
| Extra Alternator | 35820 | D2-55E |
| Mounting Kit for Mastervolt Alternator | 9887 | D2-55C, D2-55D, D2-55E, D2-55F |
| Charging Distributor | 21502 | D2-55A, D2-55B |
| Charging Distributor | 7528 | D2-55C, D2-55D, D2-55E, D2-55F |
| Starter Motor | 5497 | D2-55A, D2-55B, D2-55C, D2-55D, D2-55E, D2-55F |
| Starter Motor, Components | 5498 | D2-55A, D2-55B, D2-55C, D2-55D, D2-55E, D2-55F |
| EVC Electrical System D2 | 21496 | D2-55D, D2-55E, D2-55F |
| EVC Control Unit and Cables D1-D2 | 21459 | D2-55D, D2-55E, D2-55F |
| EVC Electrical Materials and Instrument D1-D2 | 21457 | D2-55D, D2-55E, D2-55F |
| Electrical System | 5503 | D2-55A, D2-55B |
| Electrical System | 6757 | D2-55C |
| Instrument Panel Standard, with Start Button | 21483 | D2-55A, D2-55B, D2-55C |
| Instrument Panel Standard, with Key Switch | 5501 | D2-55A, D2-55B, D2-55C |
| Instrument Panel De Luxe | 21623 | D2-55A, D2-55B, D2-55C |
| Instrument Panel 24V | 6551 | D2-55A, D2-55B, D2-55C |
| Extra Instrument Panel | 21485 | D2-55A, D2-55B, D2-55C |
| Extra Instrument Panel, Hour Meter and Volt Meter | 21504 | D2-55A, D2-55B, D2-55C |
| Clock Kit | 21486 | D2-55A, D2-55B, D2-55C |
| Alarm Panel | 21487 | D2-55A, D2-55B, D2-55C |
| Rudder Indicator Kit for Reverse Gear | 21488 | D2-55A, D2-55B, D2-55C |
| Tank Meter Kit for Fuel | 21490 | D2-55A, D2-55B, D2-55C |
| Tank Meter Kit for Fresh Water | 21491 | D2-55A, D2-55B, D2-55C |
| Exhaust Thermo Switch Control | 5522 | D2-55A, D2-55B, D2-55C |
| Main Battery Switch | 260 | D2-55A, D2-55B, D2-55C, D2-55D, D2-55E, D2-55F |
| Electrical Materials | 1963 | D2-55A, D2-55B, D2-55C, D2-55D, D2-55E, D2-55F |
| Electrical Materials | 1964 | D2-55A, D2-55B, D2-55C, D2-55D, D2-55E, D2-55F |
| Electrical Materials | 1965 | D2-55A, D2-55B, D2-55C, D2-55D, D2-55E, D2-55F |

| DESCRIPTION | SEE SEC. | NOTES |
|--|----------|--|
| Connecting Components for MS25L-A och MS25A-A | 5508 | D2-55A, D2-55B, D2-55C, D2-55D, D2-55E, D2-55F |
| Connecting Components for S-drive MS25S/SR | 5509 | D2-55A, D2-55B, D2-55C, D2-55D, D2-55E, D2-55F |
| Connecting Kit for S-drive 130S/SR | 9901 | D2-55A, D2-55B, D2-55C, D2-55D, D2-55E, D2-55F |
| Connecting Kit for Trolling Valve, HS25A-A | 9911 | D2-55A, D2-55B, D2-55C, D2-55D, D2-55E, D2-55F |
| Propeller for S-drive | 229 | D2-55A, D2-55B, D2-55C, D2-55D, D2-55E, D2-55F |
| Bronze Propeller and Zinc Anode, Acc. to ISO-Std | 373 | D2-55A, D2-55B, D2-55C, D2-55D, D2-55E, D2-55F |
| Folding Propeller, 2-blade | 4223 | D2-55A, D2-55B, D2-55C, D2-55D, D2-55E, D2-55F |
| Folding Propeller 3-blade | 4206 | D2-55A, D2-55B, D2-55C, D2-55D, D2-55E, D2-55F |
| Folding Propeller 4-blade | 22467 | D2-55A, D2-55B, D2-55C, D2-55D, D2-55E, D2-55F |
| Shaft Coupling, Flexible | 381 | D2-55A, D2-55B, D2-55C, D2-55D, D2-55E, D2-55F |
| Propeller Shaft Stuffing Box | 9705 | D2-55A, D2-55B, D2-55C, D2-55D, D2-55E, D2-55F |
| Propeller Shaft Sleeve | 9944 | D2-55A, D2-55B, D2-55C, D2-55D, D2-55E, D2-55F |
| Stern Bearing | 9706 | D2-55A, D2-55B, D2-55C, D2-55D, D2-55E, D2-55F |
| Greaser and Stuffing Box | 285 | D2-55A |
| Greaser and Stuffing Box | 21506 | D2-55B, D2-55C, D2-55D, D2-55E, D2-55F |

| |
|--|
| |
|--|

| DESCRIPTION | SEE SEC. | NOTES |
|------------------------------------|----------|--|
| Universal Bracket for Reverse Gear | 5518 | D2-55A, D2-55B, D2-55C, D2-55D, D2-55E, D2-55F |
| Universal Bracket for S-drive | 5519 | D2-55A, D2-55B, D2-55C, D2-55D, D2-55E, D2-55F |
| | | |

| |
|--|
| |
|--|

| DESCRIPTION | SEE SEC. | NOTES |
|-------------|----------|--|
| Repair Kits | 5516 | D2-55A, D2-55B, D2-55C, D2-55D, D2-55E |
| | | |





| REF | DESCRIPTION | SEE SEC. |
|-----|---------------------------|----------|
| 21 | Engine | 21 |
| 22 | Lubricating System | 22 |
| 23 | Fuel System | 23 |
| 25 | Intake and Exhaust System | 25 |
| 26 | Cooling System | 26 |
| 27 | Controls | 27 |
| 30 | Electrical System | 30 |
| 44 | Transmissions | 44 |
| 64 | Steering System | 64 |
| 90 | Miscellaneous Equipment | 90 |
| 99 | Repair Kits | 99 |

| | | |
|--|--|--|
| | | |
|--|--|--|

