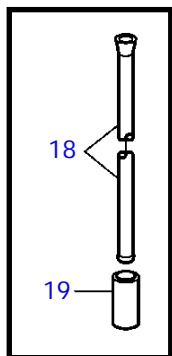
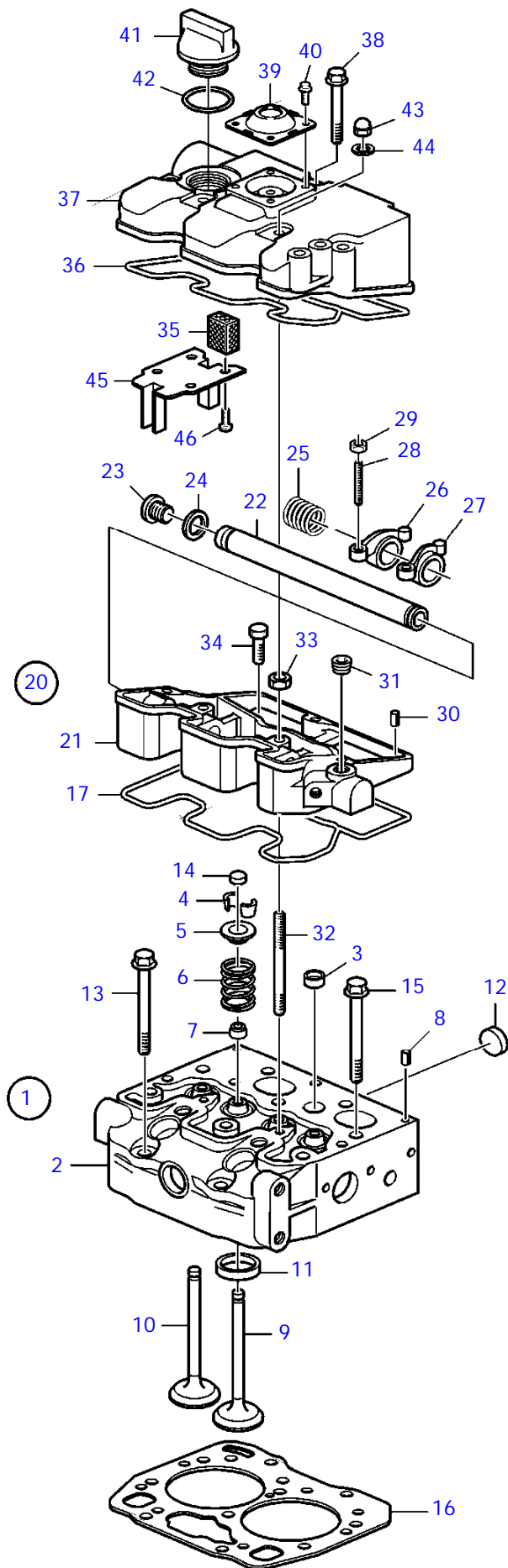


D1-13A, D1-13B, D1-13F

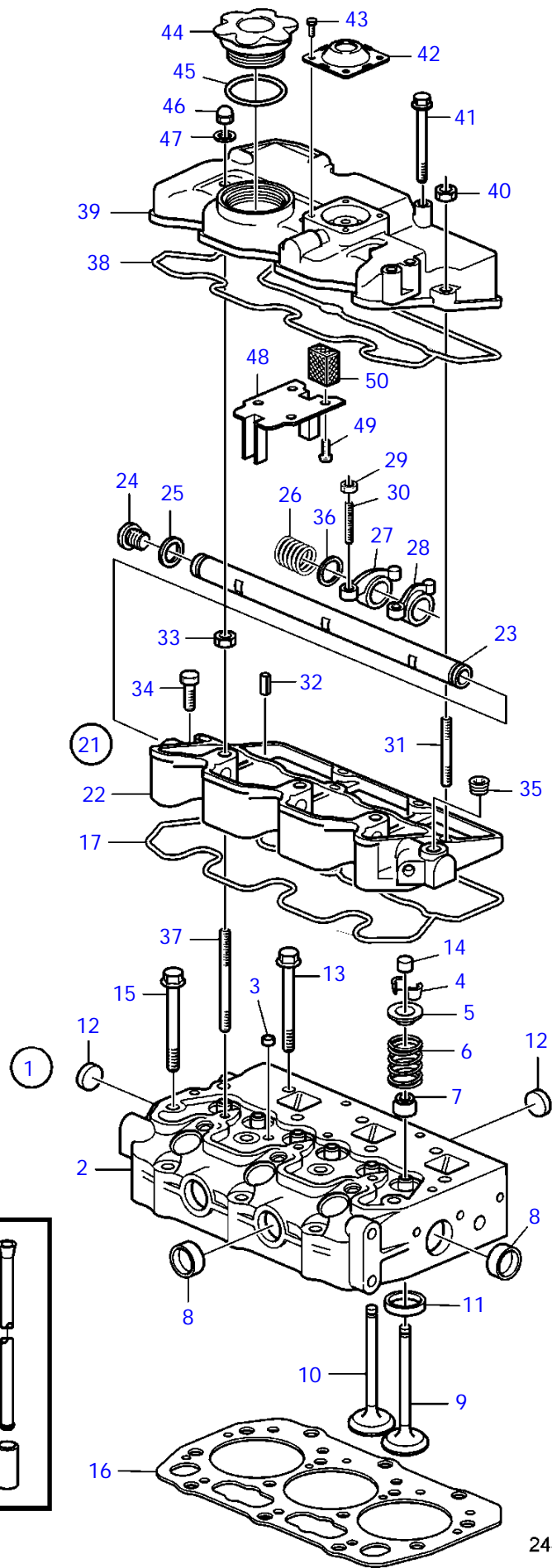


24348

D1-13A, D1-13B, D1-13F

REF	PART NO.	QTY	DESCRIPTION	NOTES
1	3803891	1	Cylinder head	
2		1	* Cylinder head	
	3803891	1	* Cylinder head, exch	
3	3886428	1	* Cardboard tube	
4	861863	8	* Valve cone	
5	861862	4	* Valve spring washer	
6	861861	4	* Valve spring	
7	861860	4	* Valve stem seal	
8		2	* Tensioning din	
9	3809662	2	* Inlet valve	
10	861859	2	* Exhaust valve	
11	3886394	4	* Valve seat ring	
12	3886430	4	* Plug blank	
13	861867	2	Screw	
14	3581293	4	Valve cap	
15	861866	8	Screw	
16	3808602	1	Cylinder head gasket	T=1.2mm
	3809647	1	Cylinder head gasket	TH=1.3mm
17	3809656	1	Gasket	
18	3809670	4	Push rod	
19	861827	4	Tappet	
20		1	Rocker arm	
21	(3809636)	1	* Bracket	Obsolete part
22	3809635	1	* Rocker arm shaft	
23	3812105	1	* Plug	
24	861851	1	* O-ring	
25	3809640	1	* Spring	
26	3809639	2	* Rocker arm	
27	3809638	2	* Rocker arm	
28	861877	4	* Screw	
29	861878	4	* Nut	
30	3886069	2	* Pin	
31	3809690	1	Plug	
32	3809663	2	Stud	
33	945407	2	Flange nut	
34	3840802	1	Screw	
35	3580320	1	Filter	
36	3809657	1	Gasket	
37	3808793	1	Valve cover	
38	3809669	3	Screw	
39	3809668	1	Valve	
40	3583659	4	Screw	
41	3809653	1	Oil filler cap	
42	3886406	1	Sealing	
43	21246490	2	Cap nut	
44	3840804	2	Washer	
45	3887185	1	Support plate	
46	3583663	1	Screw	

D1-20A, D1-20B, D1-20F

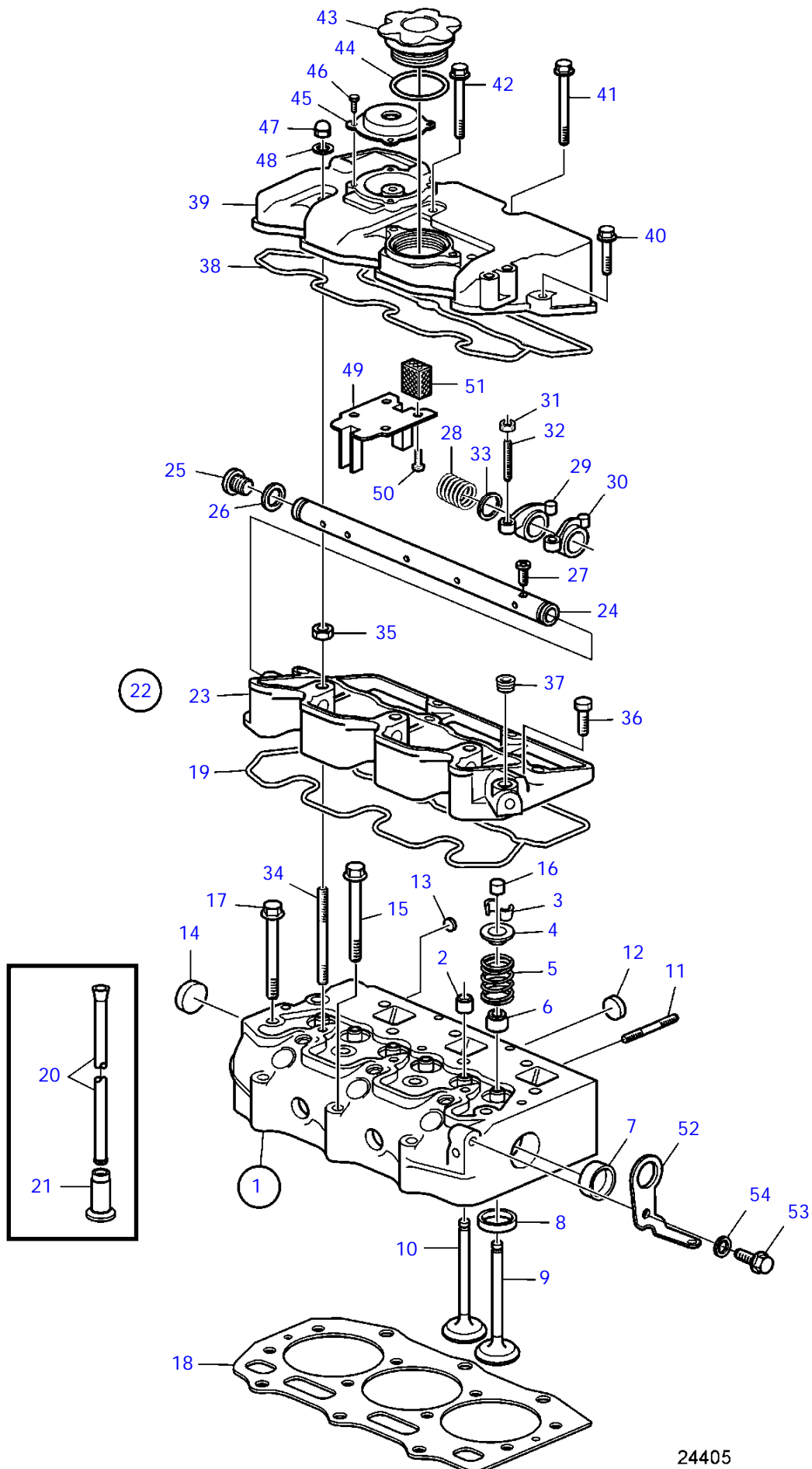


24425

D1-20A, D1-20B, D1-20F

REF	PART NO.	QTY	DESCRIPTION	NOTES
1	3803892	1	Cylinder head	
2		1	* Cylinder head	
3	3886428	2	* Cardboard tube	
4	861862	6	* Valve spring washer	
5	861863	12	* Valve cone	
6	861861	6	* Valve spring	
7	861860	6	* Valve stem seal	
8	3886430	3	* Plug blank	
9	3884527	3	* Inlet valve	
10	861859	3	* Exhaust valve	
11	3886394	6	* Valve seat ring	
12	3886430	3	* Plug blank	
13	861866	11	Screw	
14	3581293	6	Valve cap	
15	861867	3	Screw	
16	3812109	1	Cylinder head gasket	TH=1.2mm
	3886431	1	Cylinder head gasket	TH=1.3mm
17	3812130	1	Gasket	
18	3809670	6	Push rod	
19	861827	5	Tappet	
20	888184	1	Valve tappet	
21	3812102	1	Rocker arm	
22		1	* Bracket	
23	3812101	1	* Rocker arm shaft	
24	3812105	1	* Plug	
25	861851	1	* O-ring	
26	3809640	2	* Spring	
27	3809639	3	* Rocker arm	
28	3809638	3	* Rocker arm	
29	861878	6	* Nut	
30	861877	6	* Screw	
31	3840809	2	* Stud	
32	3886069	2	* Pin	
33	945407	3	Flange nut	
34	3840802	2	Screw	
35	3809690	1	Plug	
36	861883	4	Adjusting washer	
37	3809663	3	Stud	
38	3812131	1	Gasket	
39	3812107	1	Cover	
40	945407	2	Flange nut	
41	3809669	3	Screw	
42	3809668	1	Valve	
43	3583659	4	Screw	
44	21311518	1	Cover	
45	861897	1	O-ring	
46	21246490	3	Cap nut	
47	3840804	3	Washer	
48	3887185	1	Support plate	
49	3583663	4	Screw	
50	3887184	1	Gauze	

D1-30A, D1-30B, D1-30F

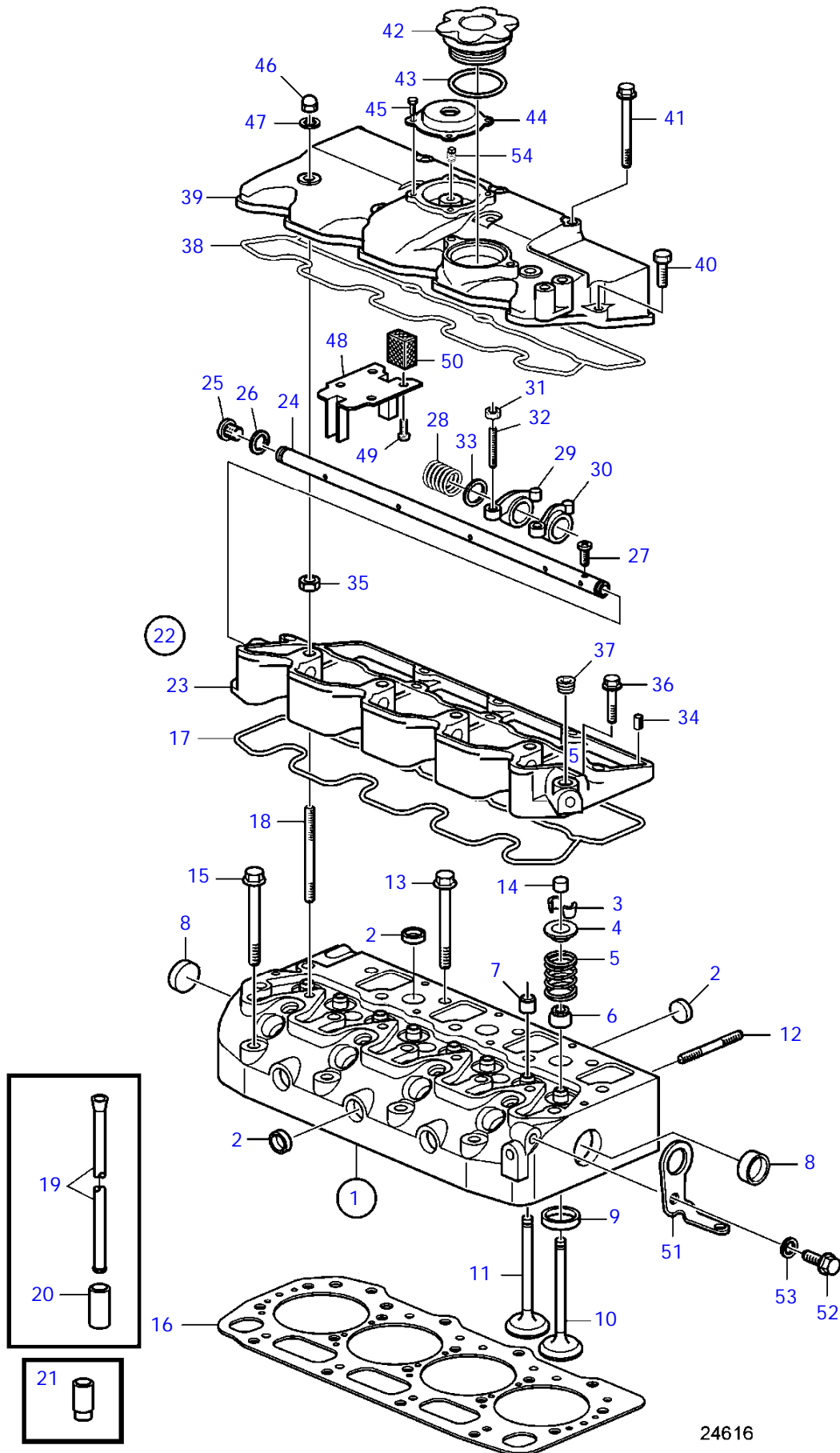


24405

D1-30A, D1-30B, D1-30F

REF	PART NO.	QTY	DESCRIPTION	NOTES
1	3803893	1	Cylinder head	D1-30A, D1-30B
	3801331	1	Cylinder head	D1-30F
2	3580305	3	* Valve stem seal	
3	3580308	12	* Valve cone	
4	3580307	6	* Valve spring washer	
5	3580964	6	* Valve spring	
6	3580306	3	* Valve stem seal	
7	3886441	1	* Plug	
8	3809624	3	* Valve seat	
9	3884528	3	* Inlet valve	
10	3580304	3	* Exhaust valve	
11	3812419	2	* Stud	
12	3886428	6	* Cardboard tube	
13	3886427	2	* Cardboard tube	
14	3886441	1	* Plug	
15	3580311	3	Screw	
16	21250646	6	Valve cap	
17	3580310	11	Screw	
18	3840842	1	Cylinder head gasket	T=1,3mm
	3812199	1	Gasket	TH=1.2mm, D1-30F
19	3812197	1	Gasket	
20	3884533	6	Push rod	D1-30A
	3812433	6	Push rod	D1-30B, D1-30F
21	861827	6	Tappet	D1-30A, D1-30B
	3580464	6	Tappet	D1-30F
22	3840882	1	Rocker arm	Complete
23		1	* Bracket	
24	3884529	1	* Rocker arm shaft	
25	3884532	1	* Plug	
26	3884530	1	* O-ring	
27	3884531	1	* Screw	
28	3580315	2	* Spring	
29	3581292	3	* Rocker arm	
30	3581291	3	* Rocker arm	
31	861878	6	* Nut	
32	861877	6	* Screw	
33	861883	4	* Adjusting washer	
34	861885	3	* Stud bolt	
35	21246409	3	* Flange nut	
36	3840802	2	* Screw	
37	3809690	1	Plug	
38	3884548	1	Gasket	
39	3840854	1	Valve cover	
40	3840802	2	Screw	
41	965178	2	Flange screw	
42	861899	1	Screw	
43	21311518	1	Cover	
44	861897	1	O-ring	
45	3583660	1	Breather pipe	
46	3583659	4	Screw	
47	3580241	3	Nut	
48	11992	3	Gasket	
49	3884547	1	Retaining plate	
50	3583663	6	Screw	
51	3580320	1	Filter	
52		1	Lifting eye	(861869)
53	946440	1	Flange screw	
54	21246676	1	Washer	

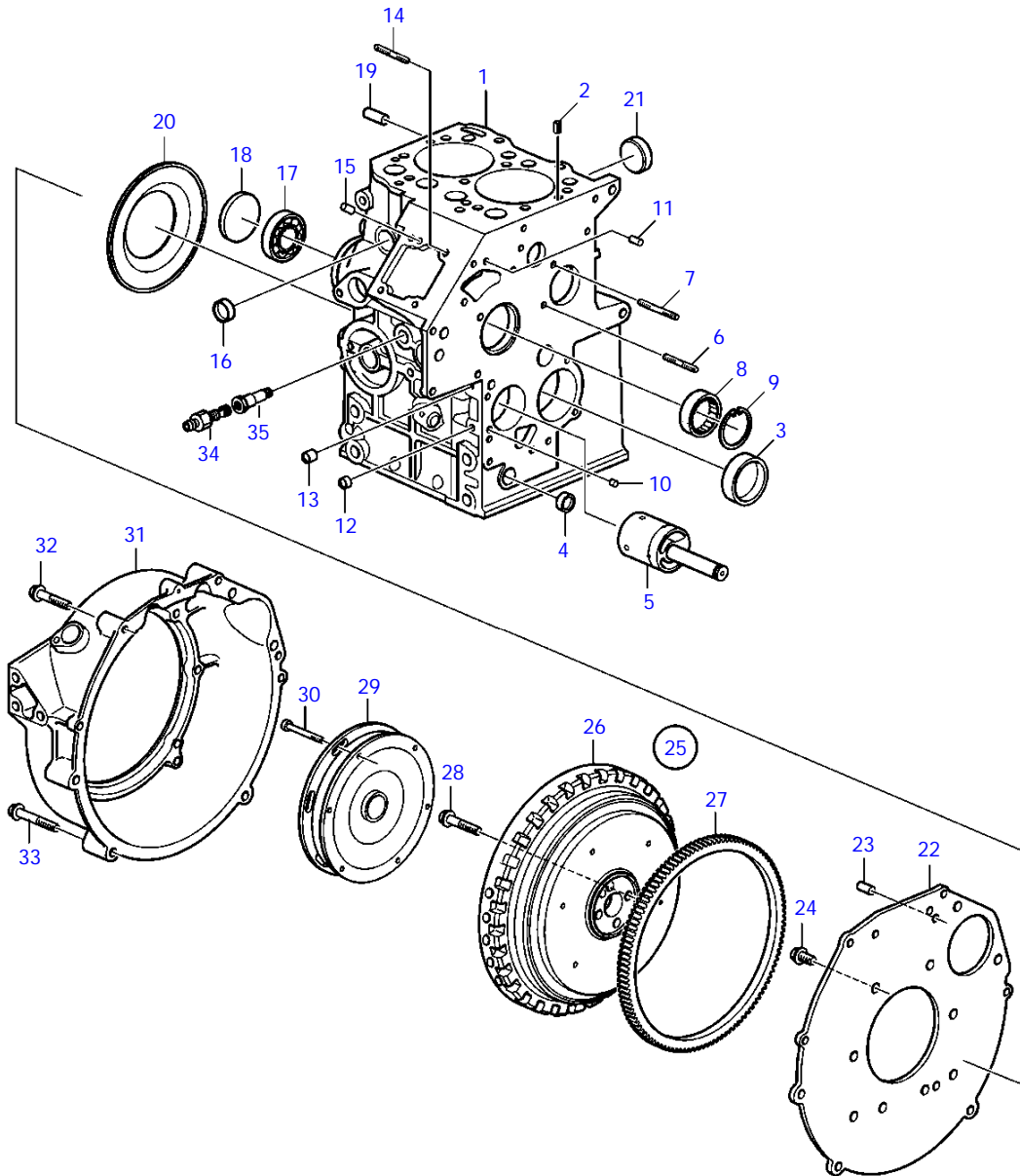
D2-40A, D2-40B, D2-40F



D2-40A, D2-40B, D2-40F

REF	PART NO.	QTY	DESCRIPTION	NOTES
1	3803894	1	Cylinder head	D2-40A, D2-40B
	3801332	1	Cylinder head	D2-40F
2	3886428	9	* Cardboard tube	
3	3580308	16	* Valve cone	
4	3580307	8	* Valve spring washer	
5	3580964	8	* Valve spring	
6	3580306	4	* Valve stem seal	
7	3580305	4	* Valve stem seal	
8	3886441	2	* Plug	
9	3809624	4	* Valve seat	
10	3884528	4	* Inlet valve	
11	3580304	4	* Exhaust valve	
12	3583709	2	Stud	
13	3580310	14	Screw	
14	21250646	8	Valve cap	
15	3580311	4	Screw	
16	3840843	1	Cylinder head gasket	TH=1.2mm, D2-40A, D2-40B, Replaced by 21192973
	21192973	1	Gasket	TH=1.2mm
	3889517	1	Cylinder head gasket	Replaced by 21192974
	21192974	1	Gasket	TH=1.3mm
17	3812432	1	Gasket	
18	861885	4	Stud bolt	
19	3884533	8	Push rod	D2-40A
	3812433	8	Push rod	D2-40B, D2-40F
20	861827	6	Tappet	
21	888184	2	Valve tappet	
22	3812427	1	Rocker arm	Complete
23			* Bracket	
24	3886081	1	* Rocker arm shaft	
25	3884532	1	* Plug	
26	3884530	1	* O-ring	
27	3884531	1	* Screw	
28	3580315	3	* Spring	
29	3581292	4	* Rocker arm	
30	3581291	4	* Rocker arm	
31	861878	8	* Nut	
32	861877	8	* Screw	
33	861883	6	* Adjusting washer	
34	3886069	2	* Pin	
35	21246409	4	Flange nut	
36	3840802	2	Screw	
37	3809690	1	Plug	
38	3887222	1	Gasket	
39	3840858	1	Valve cover	D2-40A, D2-40B
	21192977	1	Valve cover	D2-40F
40	3840802	2	Screw	
41	861899	5	Screw	
42	21311518	1	Cover	
43	861897	1	O-ring	
44	3583660	1	Breather pipe	
45	3583659	4	Screw	
46	3580241	4	Nut	
47	11992	4	Gasket	
48	3884547	1	Retaining plate	
49	3583663	4	Screw	
50	3580320	1	Filter	
51		1	Lifting eye	(861869)
52	946173	1	Flange screw	D2-40A, D2-40B
	946440	1	Flange screw	D2-40F
53	21246676	1	Washer	
54	3580364	1	Plug	

D1-13A, D1-13B

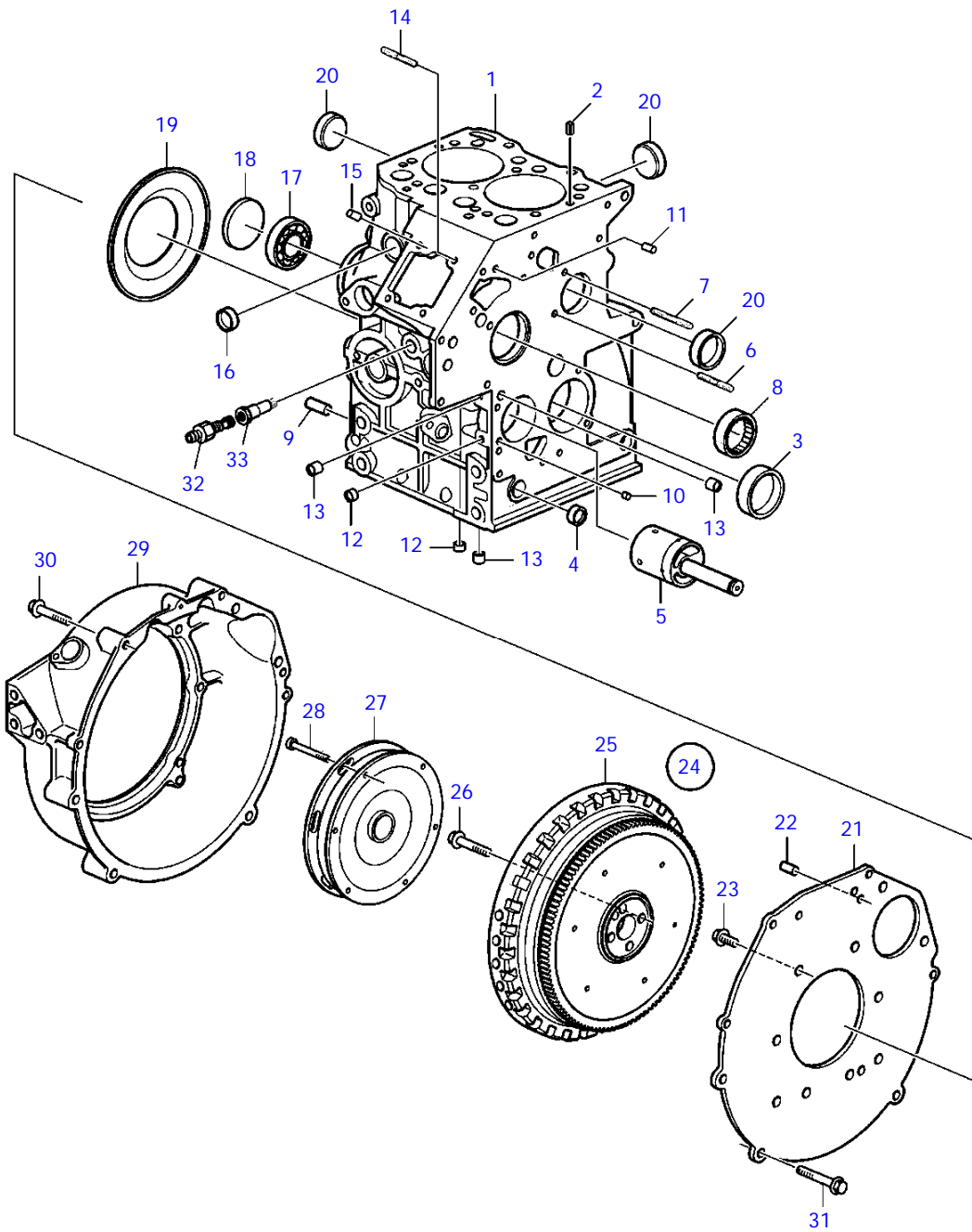


24009

D1-13A, D1-13B

REF	PART NO.	QTY	DESCRIPTION	NOTES
1		1	Cylinder block	
2	861818	2	Spring pin	
3	21185006	1	Bushing	(3809705)
4	3886427	1	Cardboard tube	
5	(861807)	1	Shaft	Obsolete part, Replaced by 21541017
	21541017	1	Oil pump	
6	3583709	1	Stud	
7	861820	1	Stud	
8	861814	1	Bearing	
9	3580226	1	Lock ring	
10	861805	1	Plug	
11		2	Dowel	
12	3807215	1	Plug	
13	861806	4	Plug	
14	3812420	2	Stud	
15		2	Pin	
16	3886428	1	Cardboard tube	
17	861812	1	Bearing	
18	861813	1	Expansion plug	
19		2	Pin	
20	861823	1	Sealing ring	
21	3886429	3	Plug blank	
22	3818597	1	Rear plate	
23		2	Pin	
24	946440	10	Flange screw	
25	3840880	1	Flywheel	Complete
26		1	* Flywheel	
27	861973	1	* Gear ring	
28	861974	4	Screw	
29	3840422	1	Flexible coupling	
30	959211	6	Hex. socket screw	
31	3818550	1	Flywheel housing	
32	946671	1	Flange screw	
33	965216	5	Flange screw	
34	3583822	1	Draining nipple	
35	3886423	1	Adapter	

D1-13F

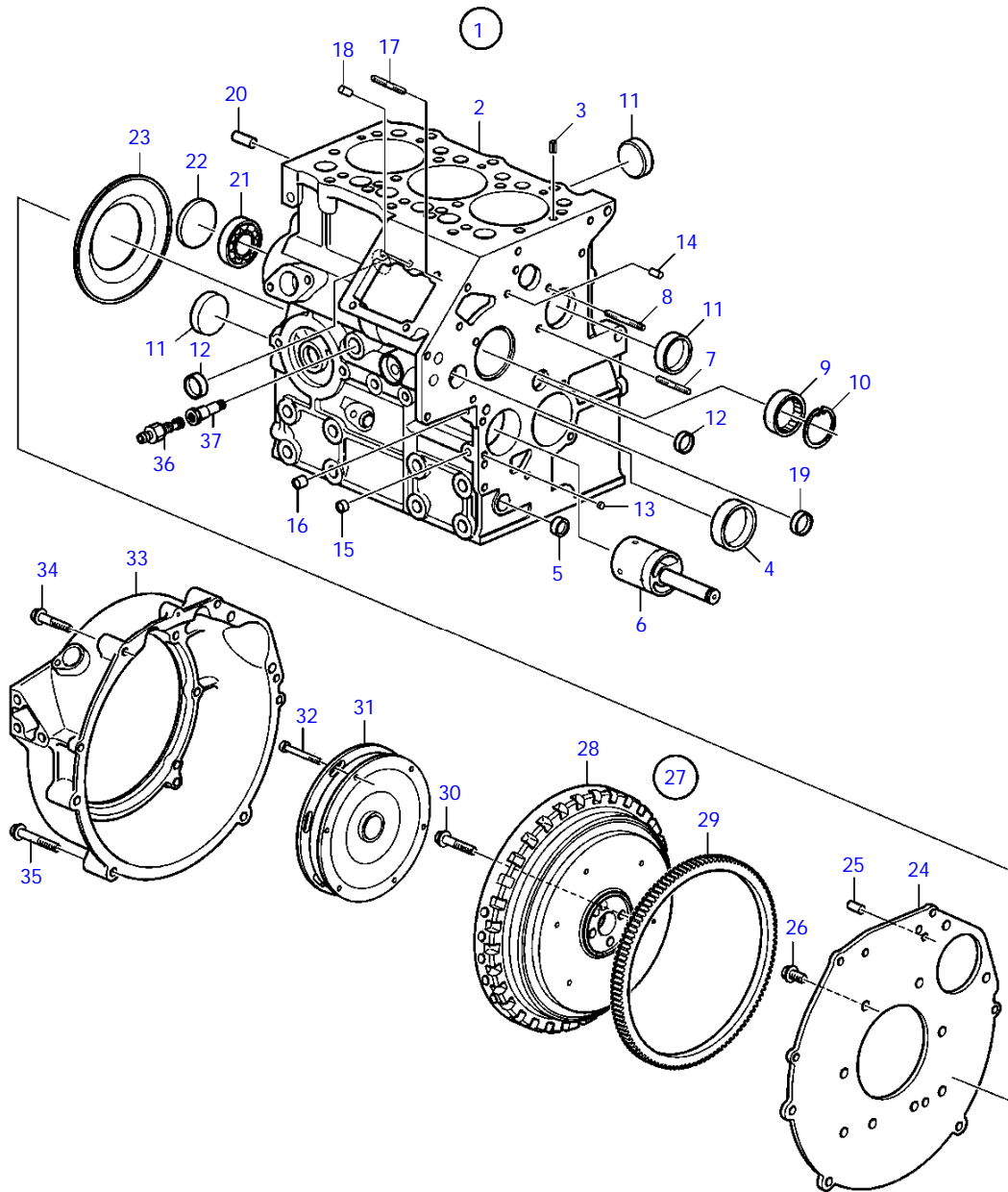


24378

D1-13F

REF	PART NO.	QTY	DESCRIPTION	NOTES
1	(21185097)	1	Cylinder block	Obsolete part
2	861818	2	Spring pin	
3	21185006	1	Bushing	
4	3886427	1	Cardboard tube	
5	(861807)	1	Shaft	Replaced by 21541017, Obsolete part
	21541017	1	Oil pump	
6	3583709	1	Stud	
7	3583709	1	Stud	
8	861814	1	Bearing	
9	21184986	2	Dowel	
10	861805	1	Plug	
11		2	Dowel	
12	3807215	1	Plug	
13	861806	4	Plug	
14	3812420	2	Stud	
15		2	Pin	
16	3886428	1	Cardboard tube	
17	11010	1	Ball bearing	
18	861813	1	Expansion plug	
19	861823	1	Sealing ring	
20	3886429	3	Plug blank	
21	3818597	1	Rear plate	
22		2	Pin	
23	946440	10	Flange screw	
24	3809921	1	Flywheel	Complete
25		1	* Flywheel	
26	861974	4	Screw	
27	3840422	1	Flexible coupling	
28	959211	6	Hex. socket screw	
29	21140575	1	Flywheel housing	
30	965216	5	Flange screw	
31	21246630	3	Hexagon screw	
32	3583822	1	Draining nipple	
33	3886423	1	Adapler	

D1-20A, D1-20B

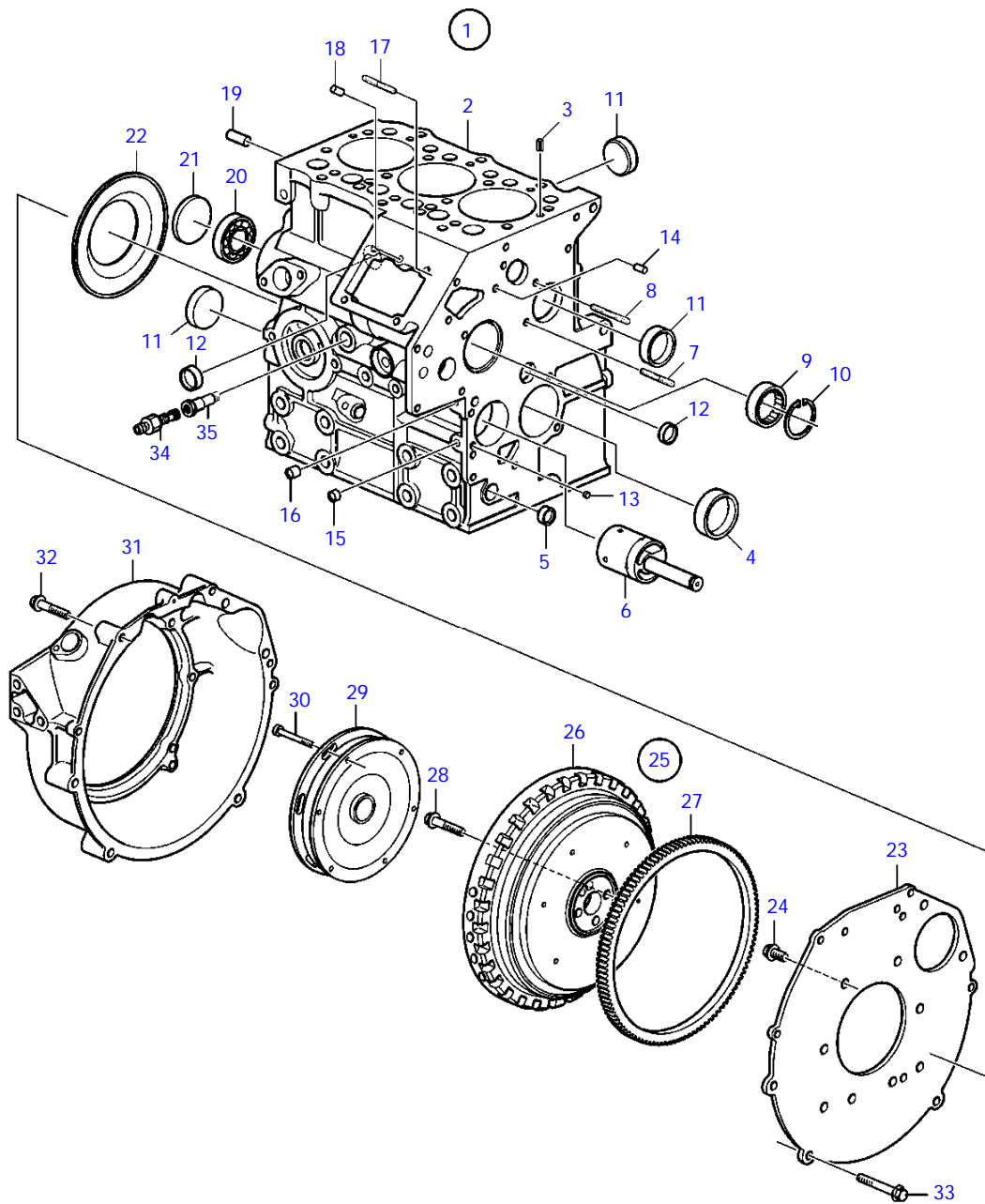


24008

D1-20A, D1-20B

REF	PART NO.	QTY	DESCRIPTION	NOTES
1		1	Cylinder block	
2		1	* Cylinder block	
3	861818	1	* Spring pin	
4	21185006	1	* Bushing	(3809705)
5	3886427	1	* Cardboard tube	
6	(861807)	1	* Shaft	Obsolete part, Replaced by 21541017
	21541017	1	Oil pump	
7	3583709	1	* Stud	
8	3583708	1	* Stud	
9	861814	1	* Bearing	
10	3580226	1	* Lock ring	
11	3886429	5	* Plug blank	
12	3886428	2	* Cardboard tube	
13	861805	1	* Plug	
14		1	* Dowel	
15	3807215	2	* Plug	
16	861806	1	* Plug	
17	3884526	1	* Stud	
18		1	* Pin	
19	3884973	1	* Plug	
20		1	* Pin	
21	3884972	1	* Ball bearing	Replaced by 861812
	861812	1	* Bearing	
22	861813	1	* Expansion plug	
23	861823	1	* Sealing ring	
24	3818597	1	* Rear plate	
25		2	* Pin	
26	946440	10	Flange screw	
27	3840878	1	Flywheel	Complete
28		1	* Flywheel	
29	861973	1	* Gear ring	
30	861974	4	Screw	
31	3840422	1	* Flexible coupling	
32	959211	6	* Hex. socket screw	
33	3818550	1	Flywheel housing	
34	946671	1	Flange screw	
35	965180	5	Flange screw	
36	3583822	1	Draining nipple	
37	3886423	1	Adapter	

D1-20F

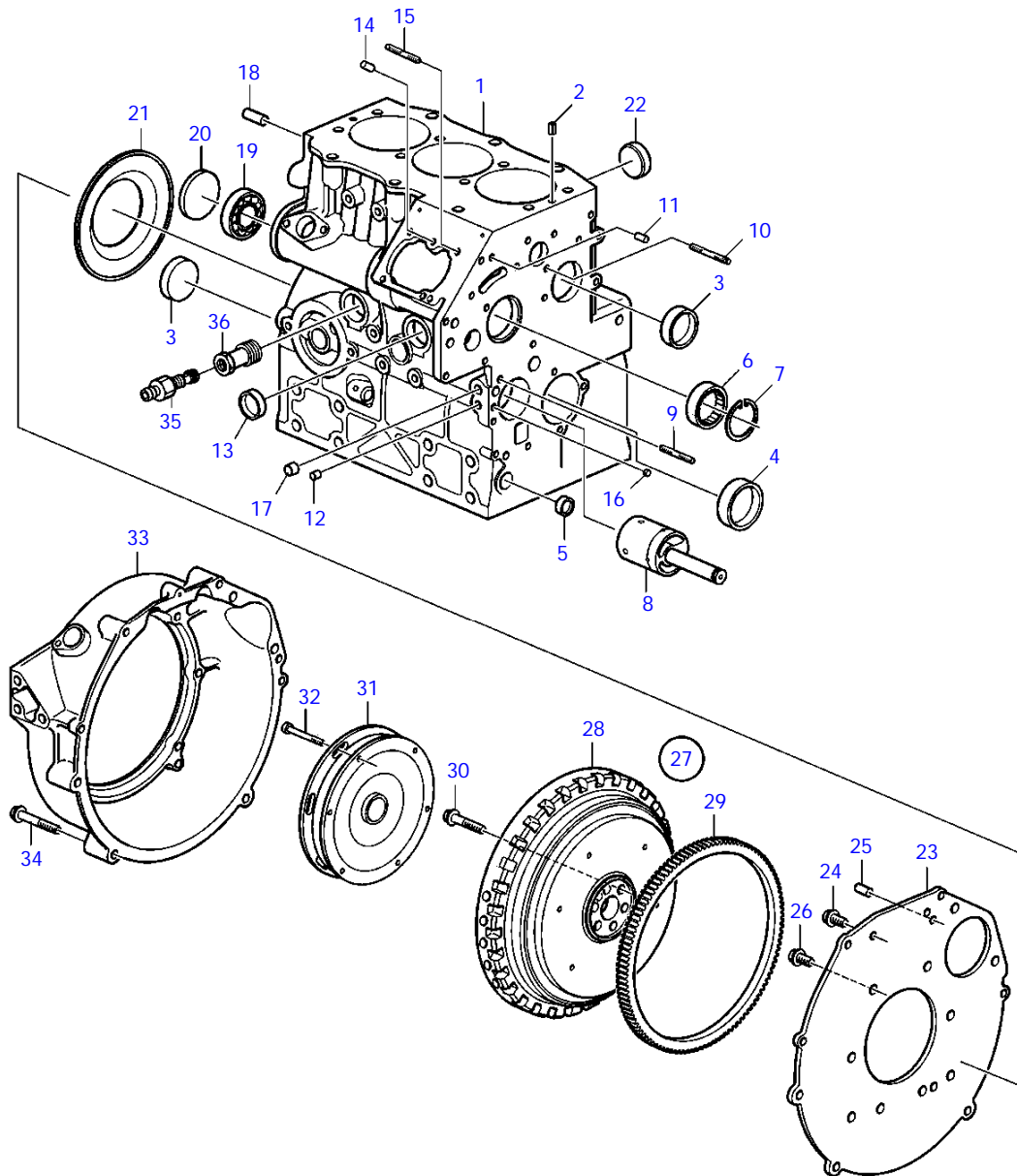


24388

D1-20F

REF	PART NO.	QTY	DESCRIPTION	NOTES
1		1	Cylinder block	
2		1	* Cylinder block	
3	861818	1	* Spring pin	
4	21185006	1	* Bushing	
5	3886427	1	* Cardboard tube	
6	(861807)	1	* Shaft	Replaced by 21541017, Obsolete part
	21541017	1	Oil pump	
7	3583709	1	* Stud	
8	3583708	1	* Stud	
9	861814	1	* Bearing	
10	3580226	1	* Lock ring	
11	3886429	4	* Plug blank	
12	3886428	2	* Cardboard tube	
13	861805	1	* Plug	
14		1	* Dowel	
15	3807215	5	* Plug	
16	861806	4	* Plug	
17	3812420	2	* Stud	
18		2	* Pin	
19	11010	1	* Ball bearing	
20		2	* Pin	
21	861813	1	* Expansion plug	
22	861823	1	Sealing ring	
23	3818597	1	Rear plate	
24	946440	10	Flange screw	
25	3840878	1	Flywheel	Complete
26		1	* Flywheel	
27	861973	1	* Gear ring	
28	861974	4	Screw	
29	3840422	1	Flexible coupling	
30	959211	6	Hex. socket screw	
31	21140575	1	Flywheel housing	
32	21246630	5	Hexagon screw	
33	965216	3	Flange screw	
34	3583822	1	Draining nipple	
35	3886423	1	Adapter	

D1-30A, D1-30B

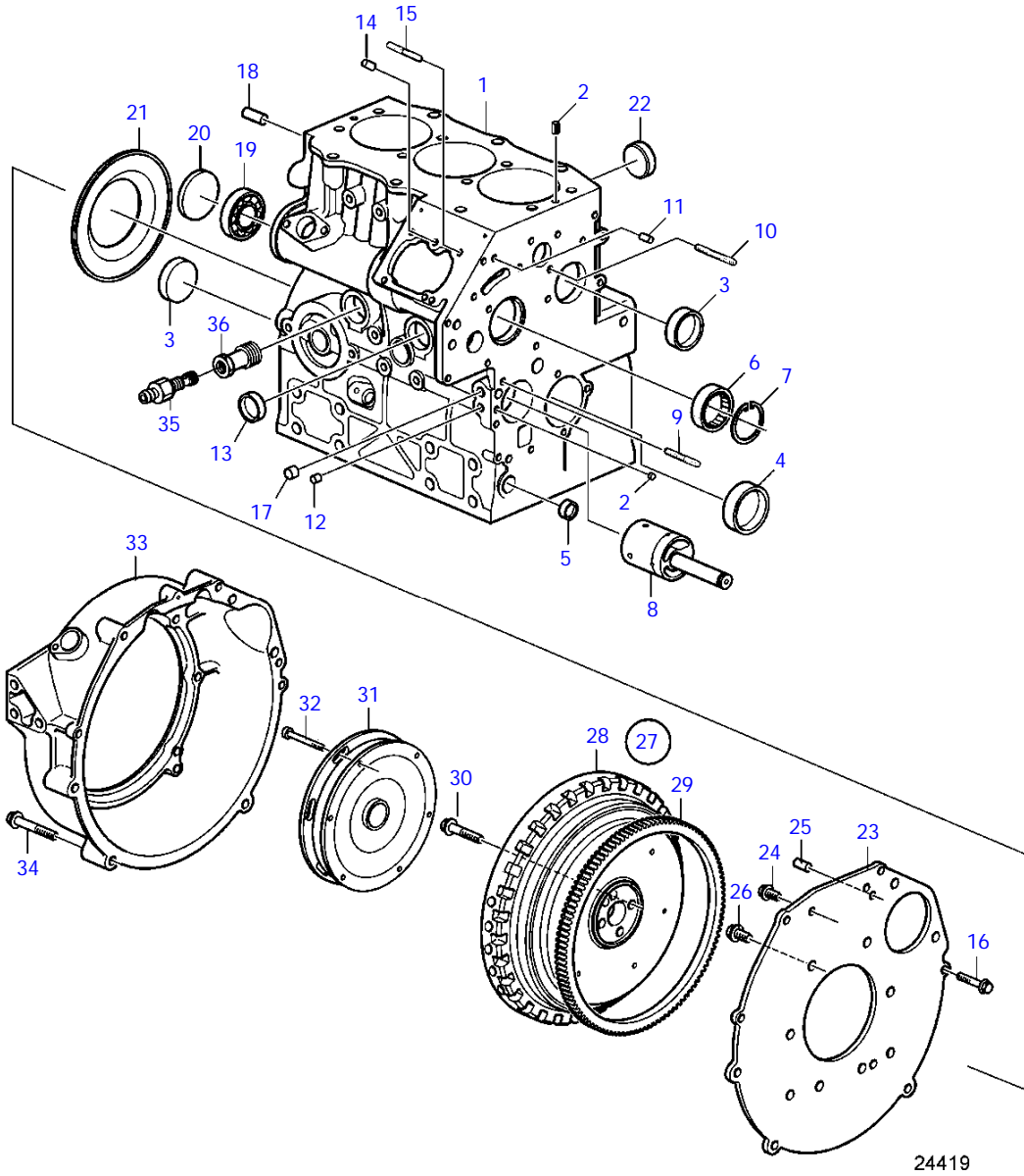


24011

D1-30A, D1-30B

REF	PART NO.	QTY	DESCRIPTION	NOTES
1	(3840805)	1	Cylinder block	Obsolete part
2	861818	2	Spring pin	
3	3583697	2	Plug	
4	3812412	1	Bushing	
5	3886427	2	Cardboard tube	
6	861814	1	Bearing	
7	3580226	1	Lock ring	
8	(3580283)	1	Shaft	Replaced by 21541015, Obsolete part
	21541015	1	Oil pump	
9	3583709	1	Stud	
10	3583708	1	Stud	
11		2	Dowel	
12	3807215	4	Plug	
13	3583696	1	Plug	
14		2	Pin	
15	3812420	2	Stud	
16	861818	2	Spring pin	
17	861806	4	Plug	
18		2	Pin	
19	861812	1	Bearing	
20	861813	1	Expansion plug	
21	3812417	1	Oil sealing ring	
22	21281430	2	Plug	
23	3818600	1	Rear plate	
24	946440	1	Flange screw	
25		2	Pin	
26	946441	8	Flange screw	
27	3840879	1	Flywheel	Complete
28		1	* Flywheel	
29	3580354	1	* Gear ring	
30	3580355	6	Screw	
31	3840422	1	Flexible coupling	
32	959211	6	* Hex. socket screw	
33	3818550	1	Flywheel housing	
34	965216	4	Flange screw	
35	3583822	1	Draining nipple	
36	3884541	1	Adapter	

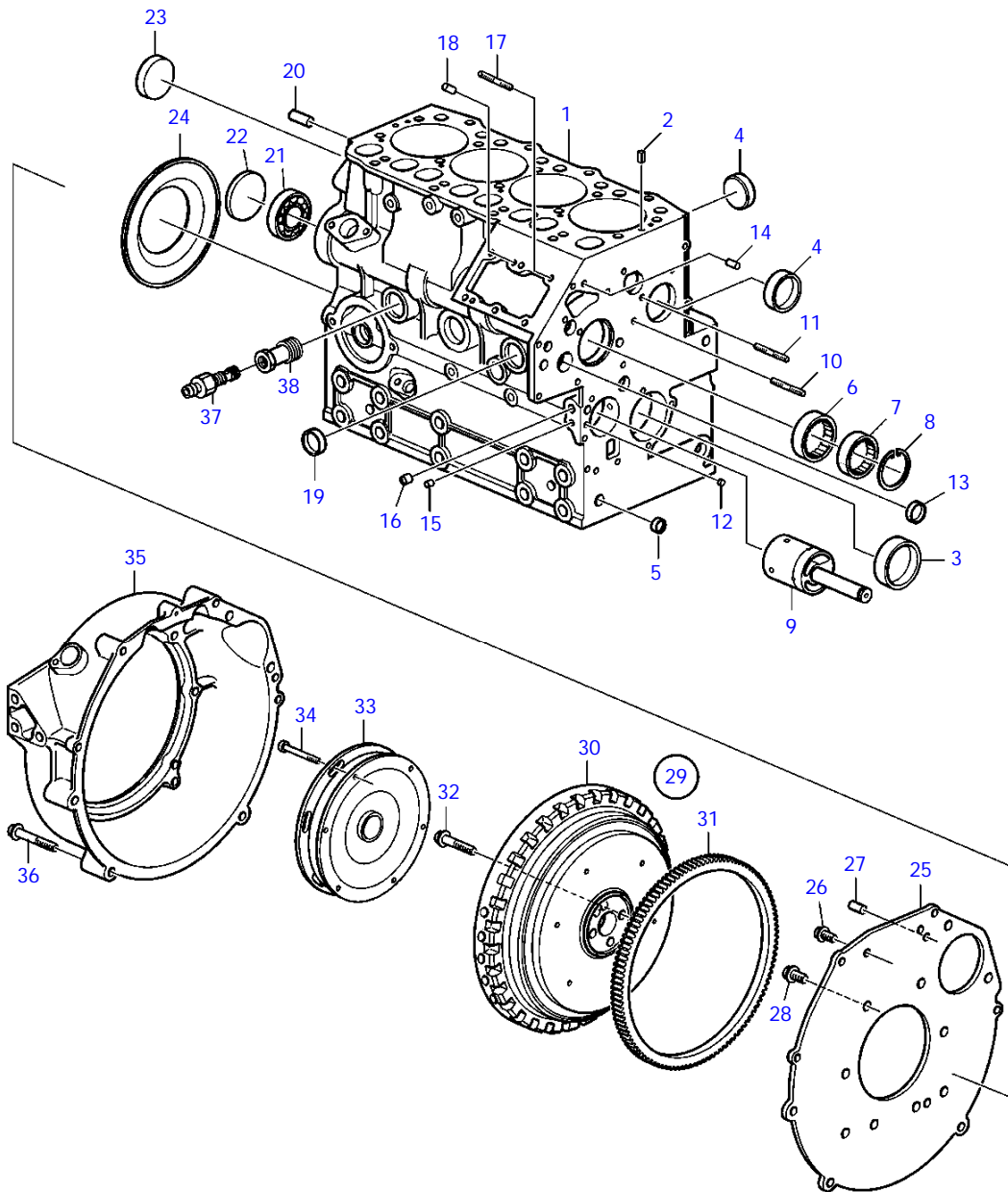
D1-30F



D1-30F

REF	PART NO.	QTY	DESCRIPTION	NOTES
1		1	Cylinder block	
2	861818	2	Spring pin	
3	3583697	2	Plug	
4	21191694	1	Bushing	
5	3886427	2	Cardboard tube	
6	861814	1	Bearing	
7	3580226	1	Lock ring	
8	(3580283)	1	Shaft	Replaced by 21541015, Obsolete part
	21541015	1	Oil pump	
9	3583709	1	Stud	
10	3583708	1	Stud	
11		2	Dowel	
12	3807215	4	Plug	
13	3583696	1	Plug	
14		2	Pin	
15	3812420	2	Stud	
16	965220	2	Flange screw	
17	861806	4	Plug	
18		2	Pin	
19	11010	1	Ball bearing	
20	861813	1	Expansion plug	
21	3812417	1	Oil sealing ring	
22	21281430	2	Plug	
23	3818600	1	Rear plate	
24	946440	1	Flange screw	
25		2	Pin	
26	946441	8	Flange screw	
27	3840879	1	Flywheel	Complete
28		1	* Flywheel	
29	3580354	1	* Gear ring	
30	3580355	6	Screw	
31	3840422	1	Flexible coupling	
32	959211	6	* Hex. socket screw	
33	21140575	1	Flywheel housing	
34	965216	4	Flange screw	
35	3583822	1	Draining nipple	
36	3884541	1	Adapter	

D2-40A, D2-40B

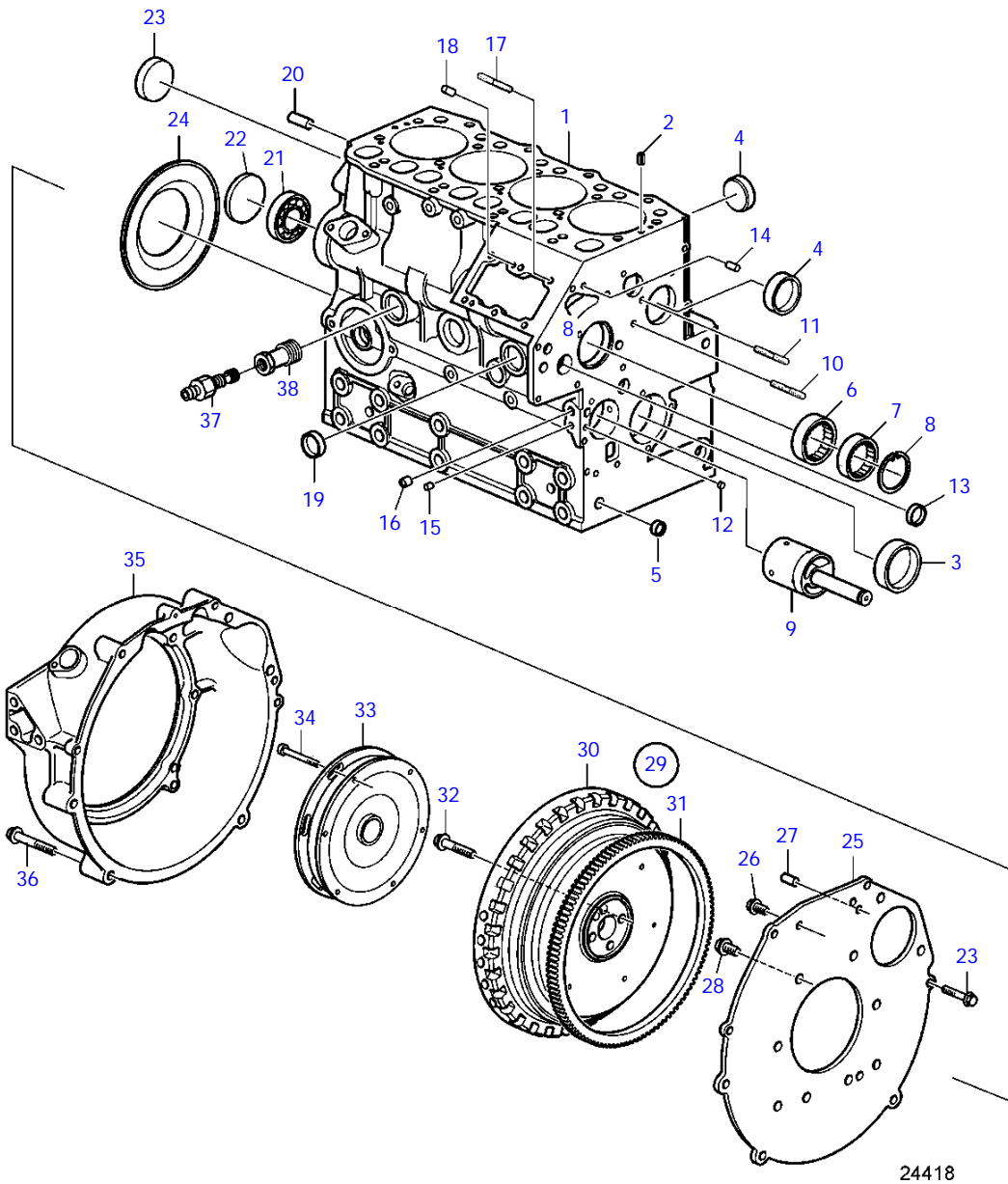


24010

D2-40A, D2-40B

REF	PART NO.	QTY	DESCRIPTION	NOTES
1		1	Cylinder block	
2	861818	2	Spring pin	
3	3812412	1	Bushing	
4	3583697	5	Plug	
5	3580455	2	Plug	
6	3886440	1	Bearing	
7	861814	1	Bearing	
8	3580226	1	Lock ring	
9	(3580283)	1	Shaft	Replaced by 21541015, Obsolete part
	21541015	1	Oil pump	
10	3583708	1	Stud	
11	3583709	1	Stud	
12	861806	3	Plug	
13	3580455	2	Plug	
14		2	Dowel	
15	3807215	1	Plug	
16	861805	1	Plug	
17	3812420	3	Stud	
18		2	Pin	
19	3886427	1	Cardboard tube	
20		2	Pin	
21	861812	1	Bearing	
22	861813	1	Expansion plug	
23	3583696	2	Plug	
24	3812417	1	Oil sealing ring	
25	3818600	1	Rear plate	
26	946440	2	Flange screw	
27		2	Pin	
28	946441	8	Flange screw	
29	3840880	1	Flywheel	Complete
30		1	* Flywheel	
31	3580354	1	* Gear ring	
32	3580355	4	Screw	
33	3840422	1	Flexible coupling	
34	959211	6	Hex. socket screw	
35	3818550	1	Flywheel housing	
36	965216	4	Flange screw	
37	3583822	1	Draining nipple	
38	3884541	1	Adapter	

D2-40F

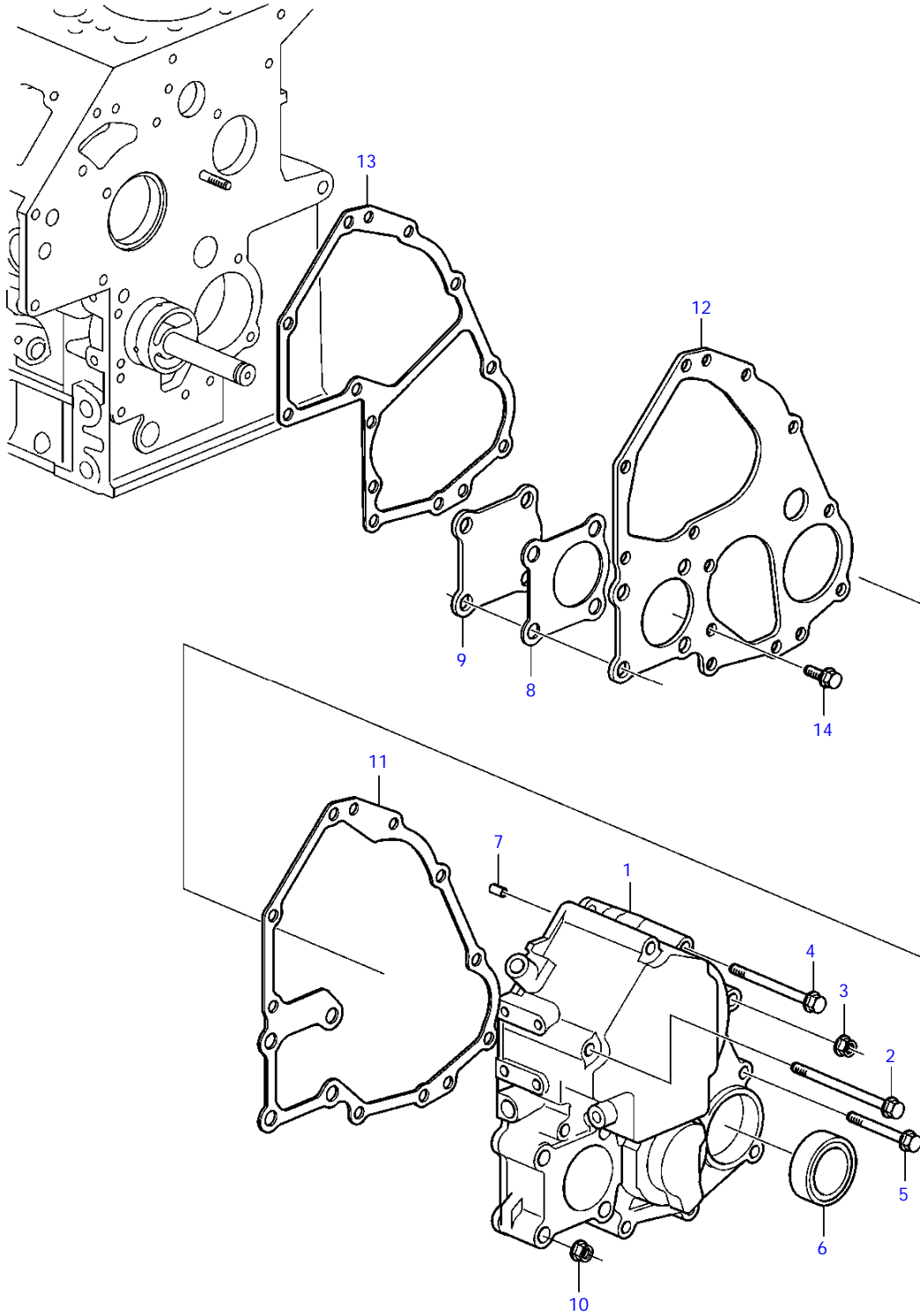


24418

D2-40F

REF	PART NO.	QTY	DESCRIPTION	NOTES
1		1	Cylinder block	
2	861818	2	Spring pin	
3	21191694	1	Bushing	
4	3583697	5	Plug	
5	3580455	2	Plug	
6	3886440	1	Bearing	
7	861814	1	Bearing	
8	3580226	1	Lock ring	
9	(3580283)	1	Shaft	Replaced by 21541015, Obsolete part
	21541015	1	Oil pump	
10	3583708	1	Stud	
11	3583709	1	Stud	
12	861806	3	Plug	
13	3886427	2	Cardboard tube	
14		2	Dowel	
15	3807215	1	Plug	
16	861805	1	Plug	
17	3812420	3	Stud	
18		2	Pin	
19	3583696	1	Plug	
20		2	Pin	
21	11010	1	Ball bearing	
22	861813	1	Expansion plug	
23	965220	2	Flange screw	
24	3812417	1	Oil sealing ring	
25	3818600	1	Rear plate	
26	946440	2	Flange screw	
27		2	Pin	
28	946441	8	Flange screw	
29	21193277	1	Flywheel	Complete
30		1	* Flywheel	
31	3580354	1	* Gear ring	
32	3580355	4	Screw	
33	3840422	1	Flexible coupling	
34	959211	6	Hex. socket screw	
35	21140575	1	Flywheel housing	
36	965216	4	Flange screw	
37	3583822	1	Draining nipple	
38	3884541	1	Adapter	

D1-13A, D1-13B, D1-20A, D1-20B

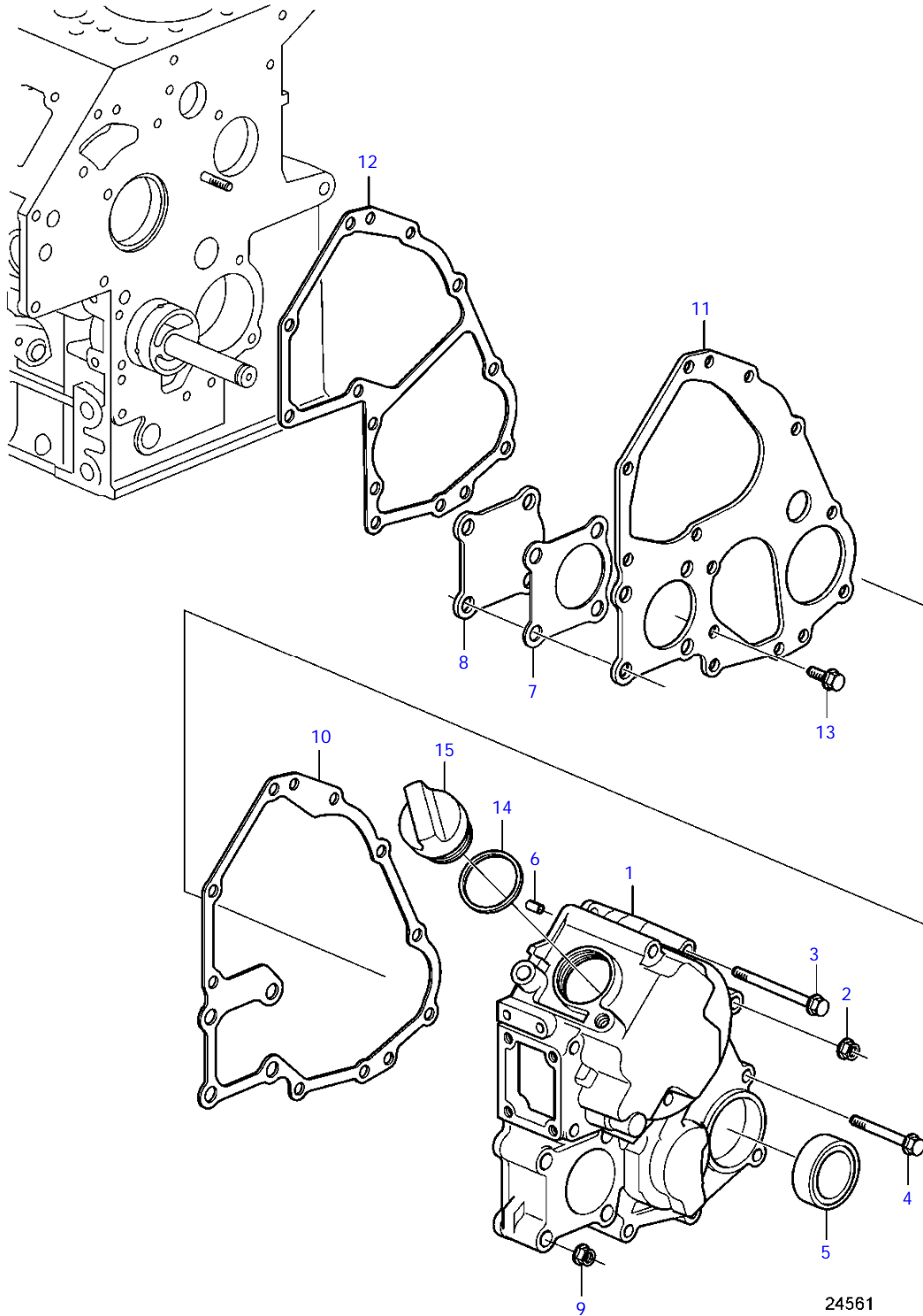


22873

D1-13A, D1-13B, D1-20A, D1-20B

REF	PART NO.	QTY	DESCRIPTION
1	3840894	1	Timing gear casing
2	861899	2	Screw
3	945407	1	Flange nut
4	965178	2	Flange screw
5	3580053	4	Screw
6	3580026	1	Sealing ring
7		1	Tensioning din
8	3886424	1	Cardboard tube
9	3580060	1	Gasket
10	948645	4	Flange lock nut
11	3580025	1	Gasket
12	3886393	1	Plate
13	861536	1	Gasket
14	861526	3	Screw

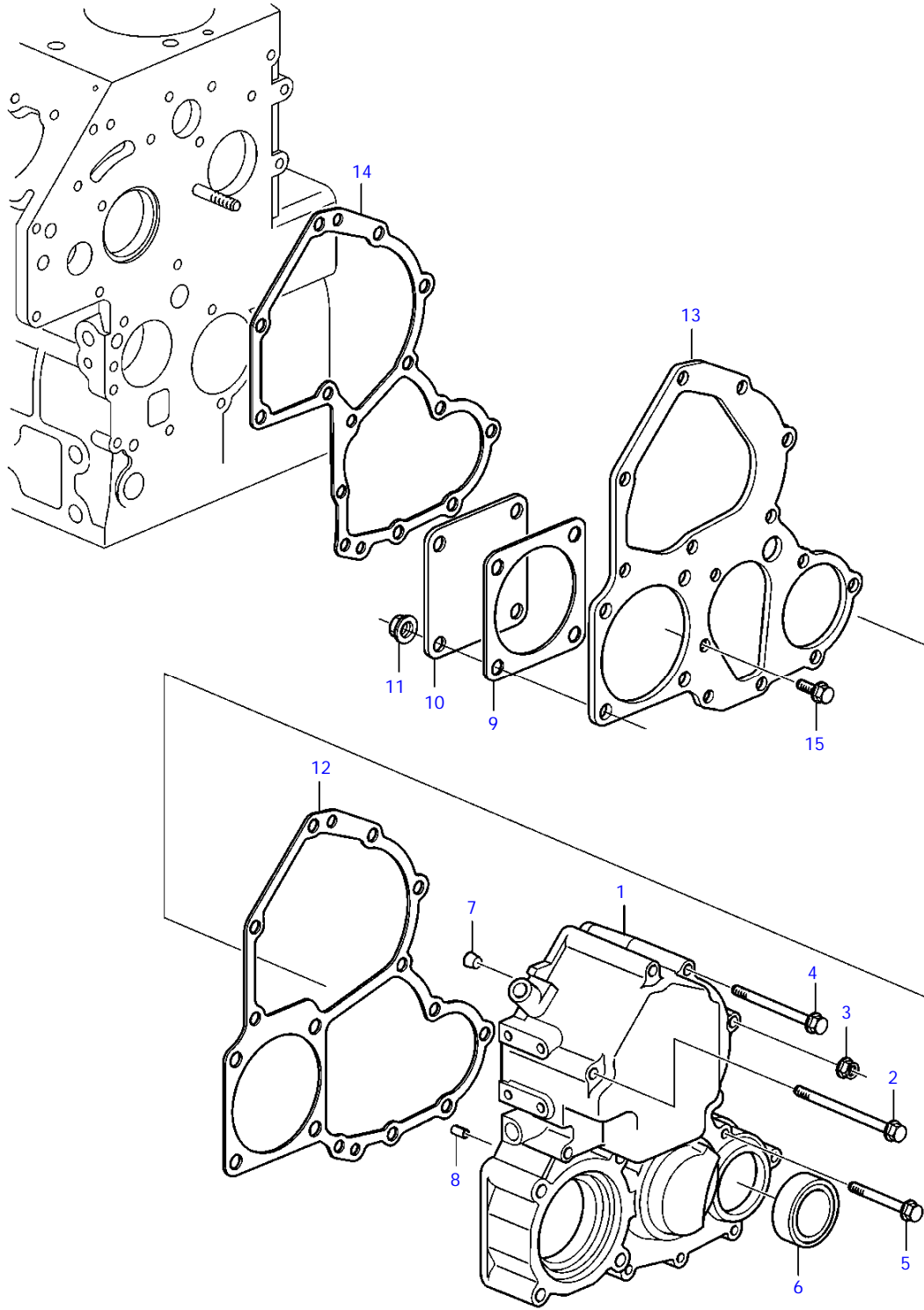
D1-13F, D1-20F



D1-13F, D1-20F

REF	PART NO.	QTY	DESCRIPTION	NOTES
1	21189667	1	Timing gear casing	
2	945407	1	Flange nut	
3	965178	4	Flange screw	
4	3580053	4	Screw	
5	3580026	1	Sealing ring	
6		1	Tensioning din	
7	3886424	1	Cardboard tube	D1-13
	3580059	1	Cardboard tube	D1-20
8	3580060	1	Gasket	
9	21246409	4	Flange nut	
10	3580025	1	Gasket	
11	21189669	1	Front plate	D1-13
	21190865	1	Front plate	D1-20
12	861536	1	Gasket	
13	861526	3	Screw	
14	3886406	1	Sealing	
15	3809653	1	Oil filler cap	

D1-30A, D1-30B

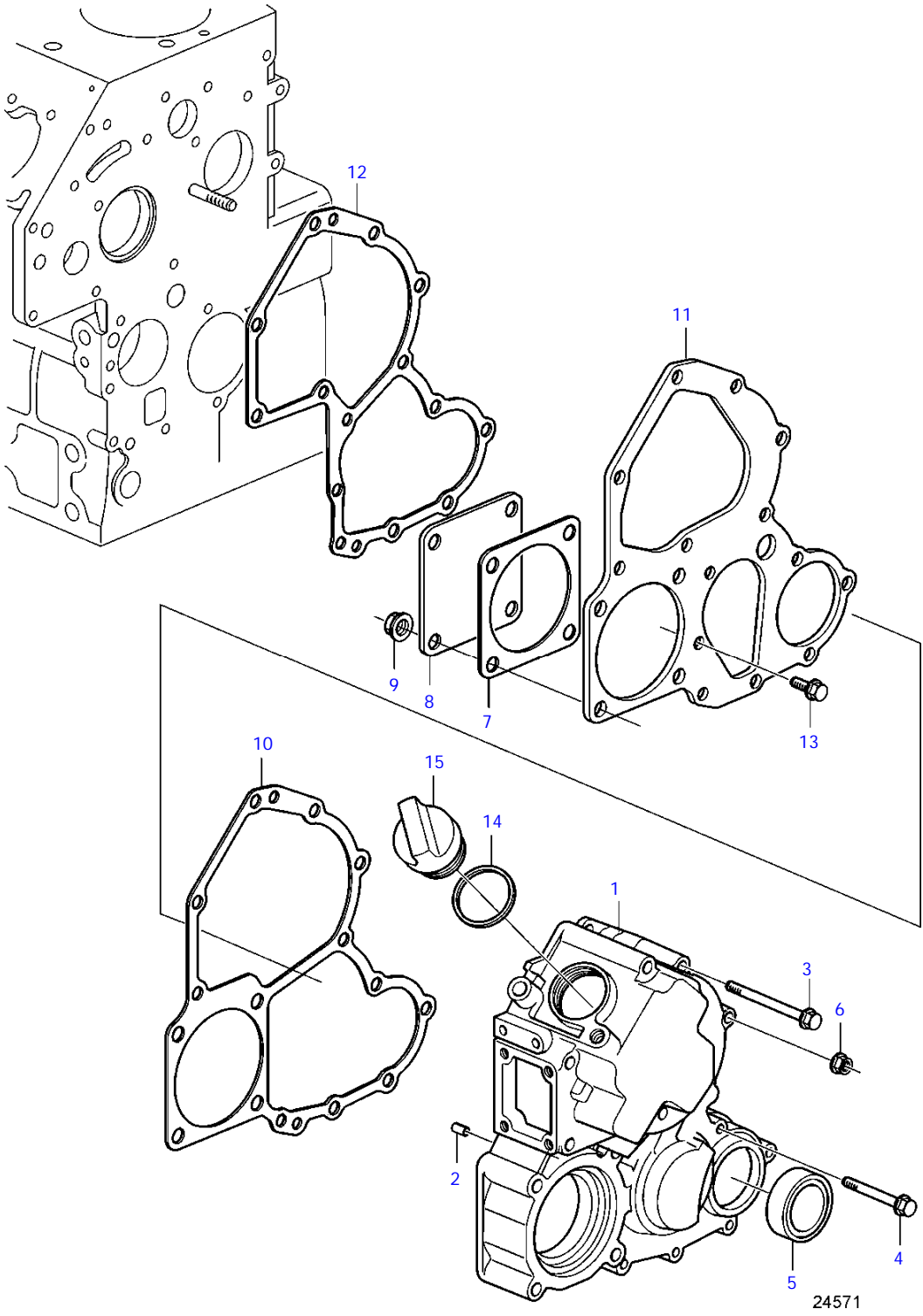


22867

D1-30A, D1-30B

REF	PART NO.	QTY	DESCRIPTION
1	3840895	1	Timing gear casing
2	861899	2	Screw
3	945407	1	Flange nut
4	965178	3	Flange screw
5	3580053	5	Screw
6	3580026	1	Sealing ring
7	3884536	1	Plug
8		1	Tensioning din
9	3580378	1	Gasket
10	21193270	1	Cover
11	948645	4	Flange lock nut
12	3580374	1	Gasket
13	3812198	1	Plate
14	3580360	1	Gasket
15	861526	3	Screw

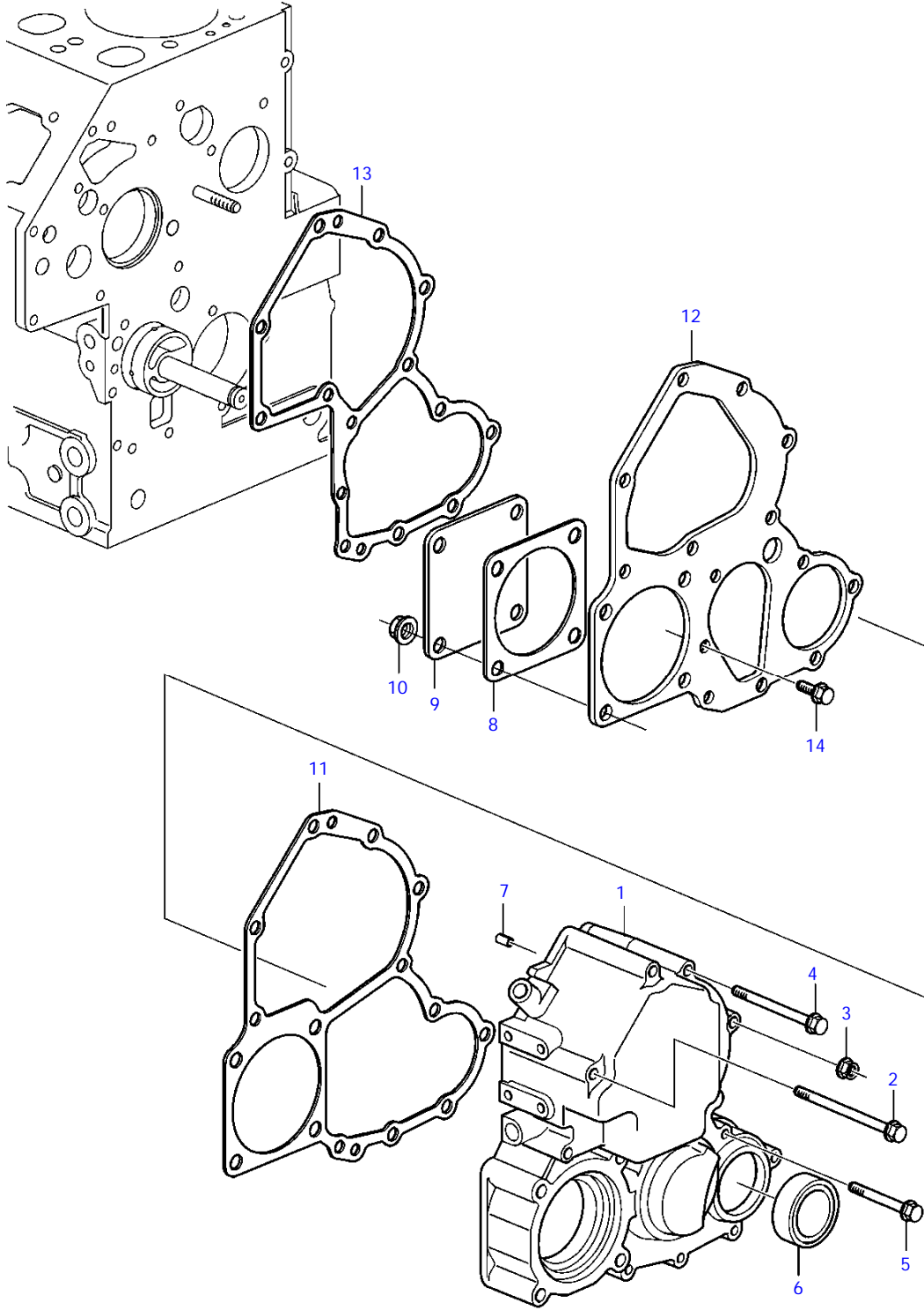
D1-30F



D1-30F

REF	PART NO.	QTY	DESCRIPTION
1	21249577	1	Timing gear casing
2	945407	1	Flange nut
3	965178	5	Flange screw
4	3580053	5	Screw
5	3580026	1	Sealing ring
6		1	Tensioning din
7	3580378	1	Gasket
8	21193270	1	Cover
9	948645	4	Flange lock nut
10	3580374	1	Gasket
11	21191683	1	Front plate
12	3580360	1	Gasket
13	861526	3	Screw
14	3886406	1	Sealing
15	3809653	1	Oil filler cap

D2-40A, D2-40B

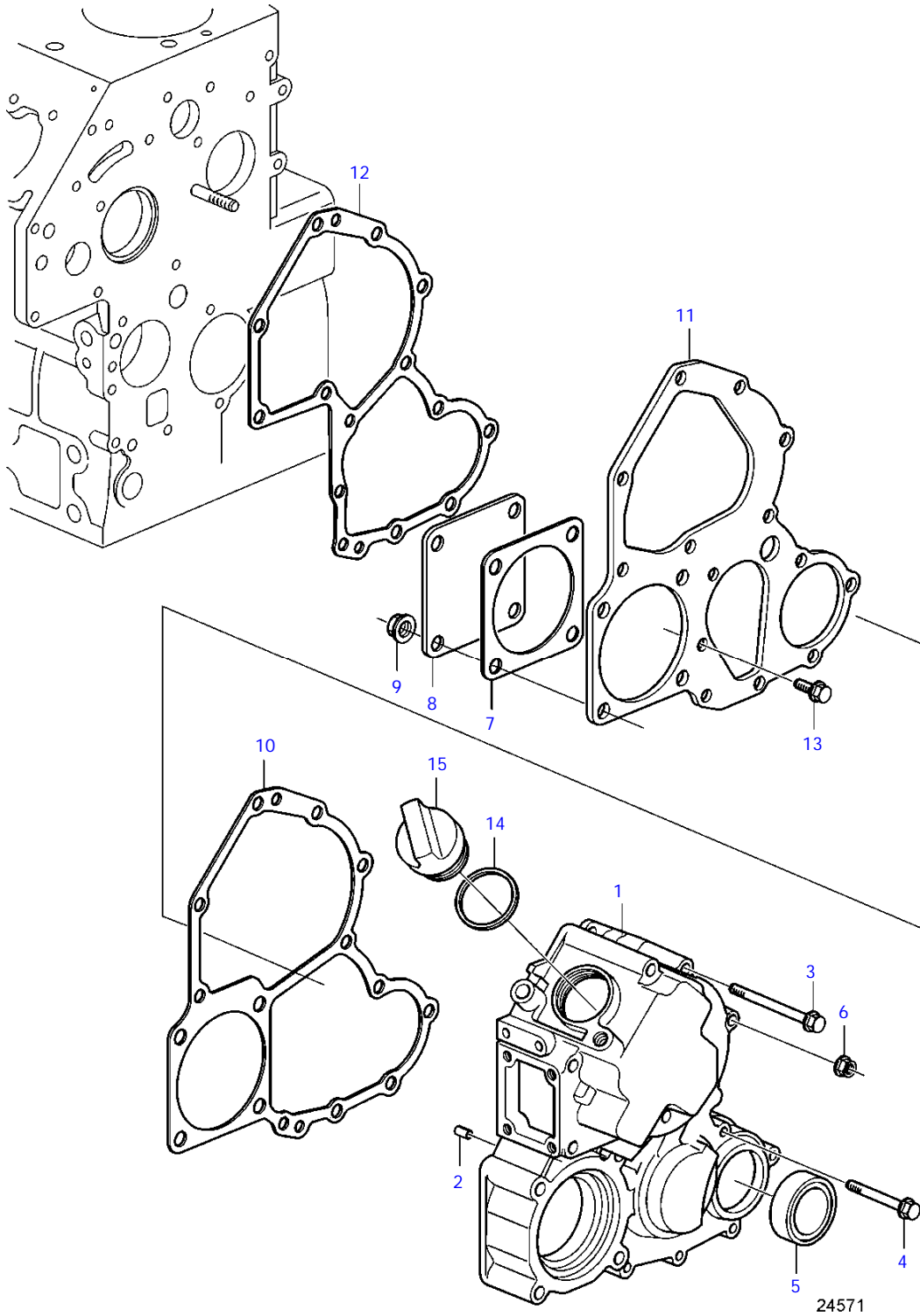


22646

D2-40A, D2-40B

REF	PART NO.	QTY	DESCRIPTION
1	3840895	1	Timing gear casing
2	861899	2	Screw
3	945407	1	Flange nut
4	965178	3	Flange screw
5	3580053	5	Screw
6	3580026	1	Sealing ring
7		1	Tensioning din
8	3580378	1	Gasket
9	21193270	1	Cover
10	948645	4	Flange lock nut
11	3580374	1	Gasket
12	3812198	1	Plate
13	3580360	1	Gasket
14	861526	3	Screw

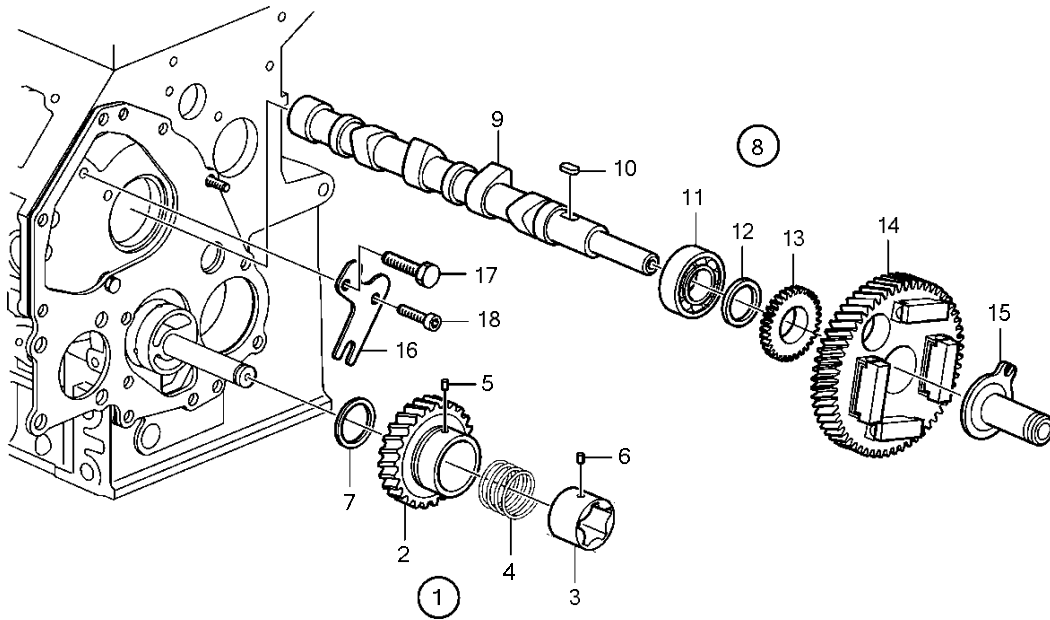
D2-40F



D2-40F

REF	PART NO.	QTY	DESCRIPTION
1	21193263	1	Timing gear casing
2		1	* Tensioning din
3	965178	3	Flange screw
4	3580053	5	Screw
5	3580026	1	Sealing ring
6	945407	1	Flange nut
7	21193274	1	Gasket
8	21193270	1	Cover
9	948645	4	Flange lock nut
10	3580374	1	Gasket
11	3812198	1	Plate
12	3580360	1	Gasket
13	861526	3	Screw
14	3886406	1	Sealing
15	3809653	1	Oil filler cap

D1-13A, D1-13B

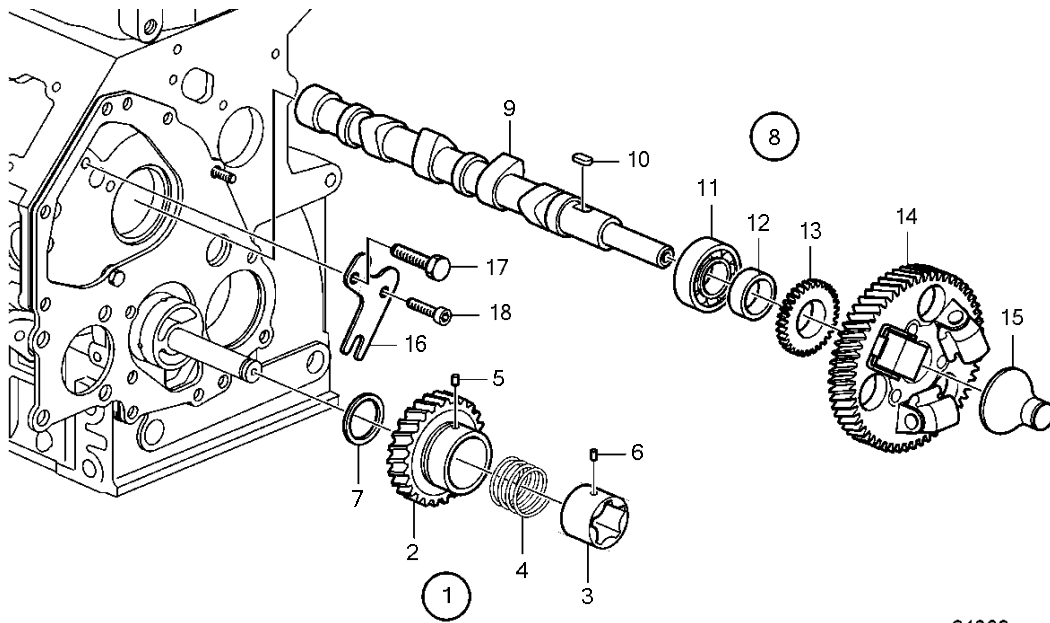


23024

D1-13A, D1-13B

REF	PART NO.	QTY	DESCRIPTION	NOTES
1	861987	1	Gear	Replaced by 21541017
	21541017	1	Oil pump	
2		1	* Idler gear	
3	3583722	1	* Vane	Replaced by 1 pc complete oil pump gear 3580569
	3580569	1	* Gear	
4	861988	1	* Spring	
5	3583723	3	* Locating pin	
6	3583721	3	* Bushing	
7	861986	1	Thrust washer	
8	3809655	1	Camshaft	
9		1	* Camshaft	
10	3812129	1	* Key	
11	861984	1	* Bearing	
12	3812125	3	* Spacer	
13	861982	1	* Gear	
14	861980	1	* Gear	
15	861985	1	Sliding sleeve	
16	861991	1	Plate	
17	(861994)	1	Screw	Obsolete part
18	861526	1	Screw	

D1-13F

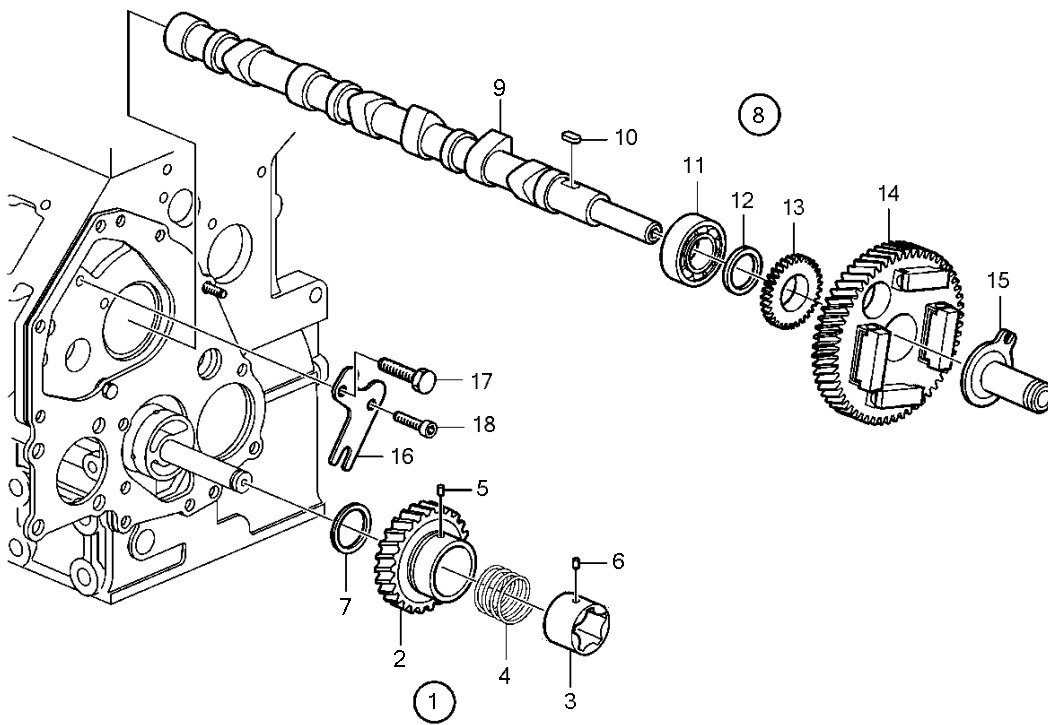


24369

D1-13F

REF	PART NO.	QTY	DESCRIPTION	NOTES
1	861987	1	Gear	Replaced by 21541017
	21541017	1	Oil pump	
2		1	* Idler gear	
3			* Rotor	
4	861988	1	* Spring	
5	3583723	3	* Locating pin	
6	3583721	1	* Bushing	
7	861986	1	Thrust washer	
8	21187275	1	Camshaft	
9		1	* Camshaft	
10	861969	1	* Woodruff key	
11	861984	1	* Bearing	
12	861983	3	* Spacer	
13	861982	1	* Gear	
14	21187278	1	* Camshaft gear	
15	21187745	1	Sliding sleeve	
16	861991	1	Plate	
17	(861994)	1	Screw	Obsolete part
18	861526	1	Screw	

D1-20A, D1-20B

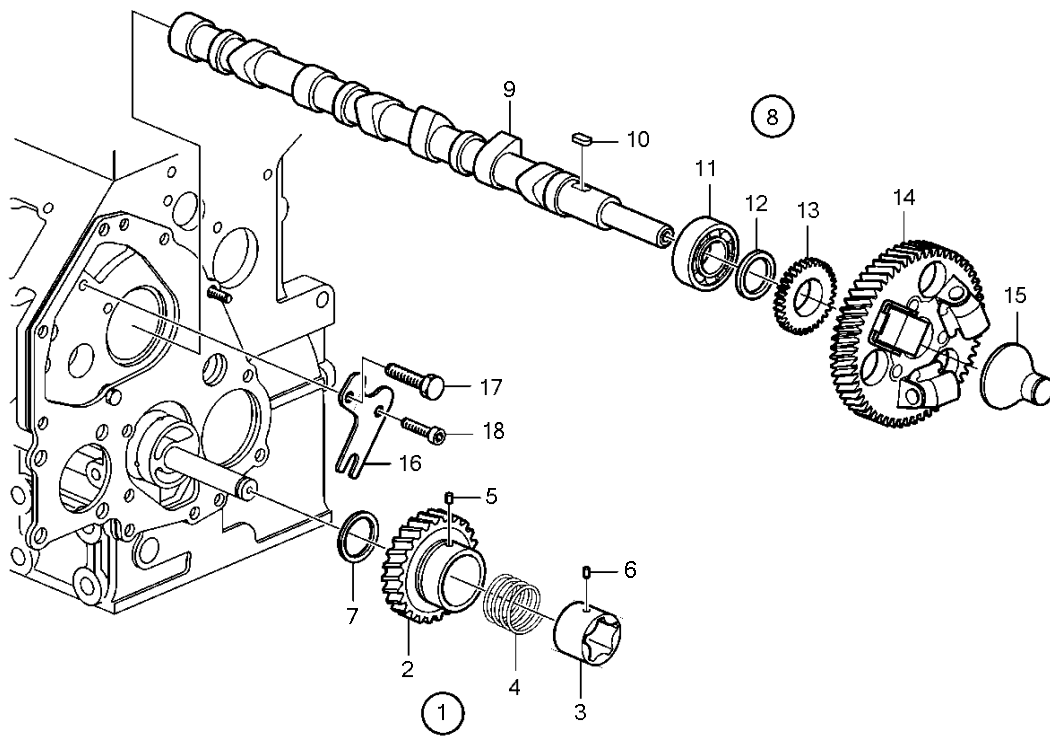


22941

D1-20A, D1-20B

REF	PART NO.	QTY	DESCRIPTION	NOTES
1	861987	1	Gear	Replaced by 21541017
	21541017	1	Oil pump	
2		1	* Idler gear	
3			* Rotor	
4	861988	1	* Spring	
5	3583723	3	* Locating pin	
6	3583721	3	* Bushing	
7	861986	1	Thrust washer	
8	3812104	1	Camshaft	
9		1	* Camshaft	
10	861969	1	* Woodruff key	
11	861984	1	* Bearing	
12	861983	3	* Spacer	
13	861982	1	* Gear	
14	861980	1	* Gear	
15	861985	1	Sliding sleeve	
16	861991	1	Plate	
17	(861994)	1	Screw	Obsolete part
18	861526	1	Screw	

D1-20F

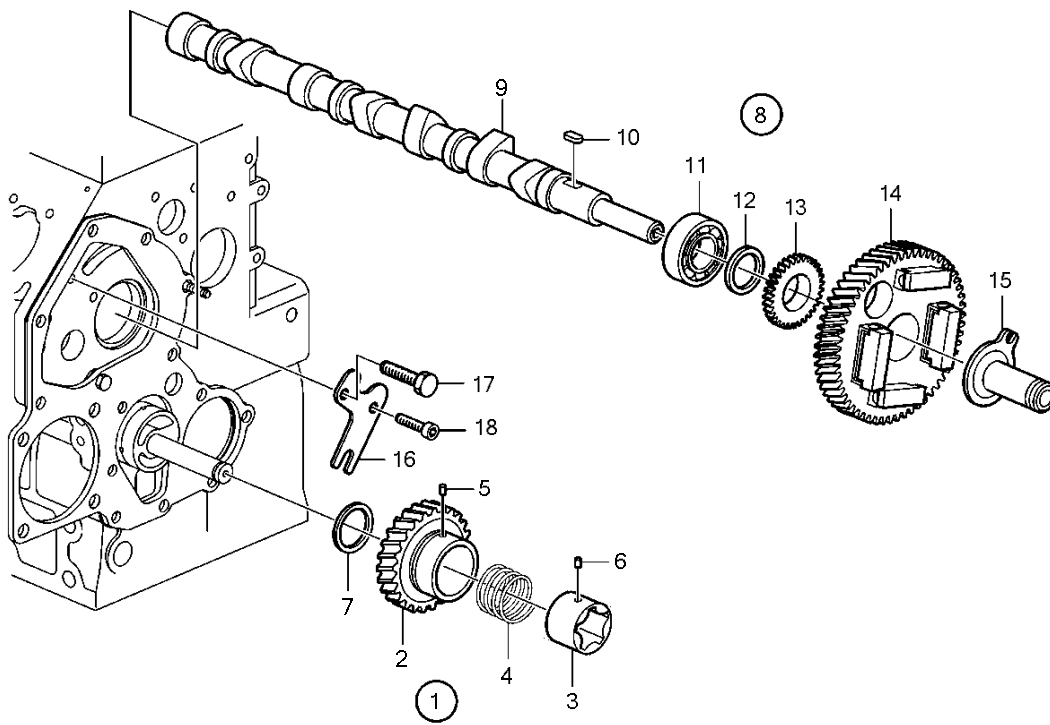


24389

D1-20F

REF	PART NO.	QTY	DESCRIPTION	NOTES
1	861987	1	Gear	
	21541017	1	Oil pump	
2			* Idler gear	
3			* Rotor	
4	861988	1	* Spring	
5	3583723	3	* Locating pin	
6	3583721	3	* Bushing	
7	861986	1	Thrust washer	
8	21190566	1	Camshaft	
9			* Camshaft	
10	861969	1	* Woodruff key	
11	861984	1	* Bearing	
12	861983	3	* Spacer	
13	861982	1	* Gear	
14	21187278	1	* Camshaft gear	
15	21187745	1	Sliding sleeve	
16	861991	1	Plate	
17	(861994)	1	Screw	Obsolete part
18	861526	1	Screw	

D1-30A, D1-30B

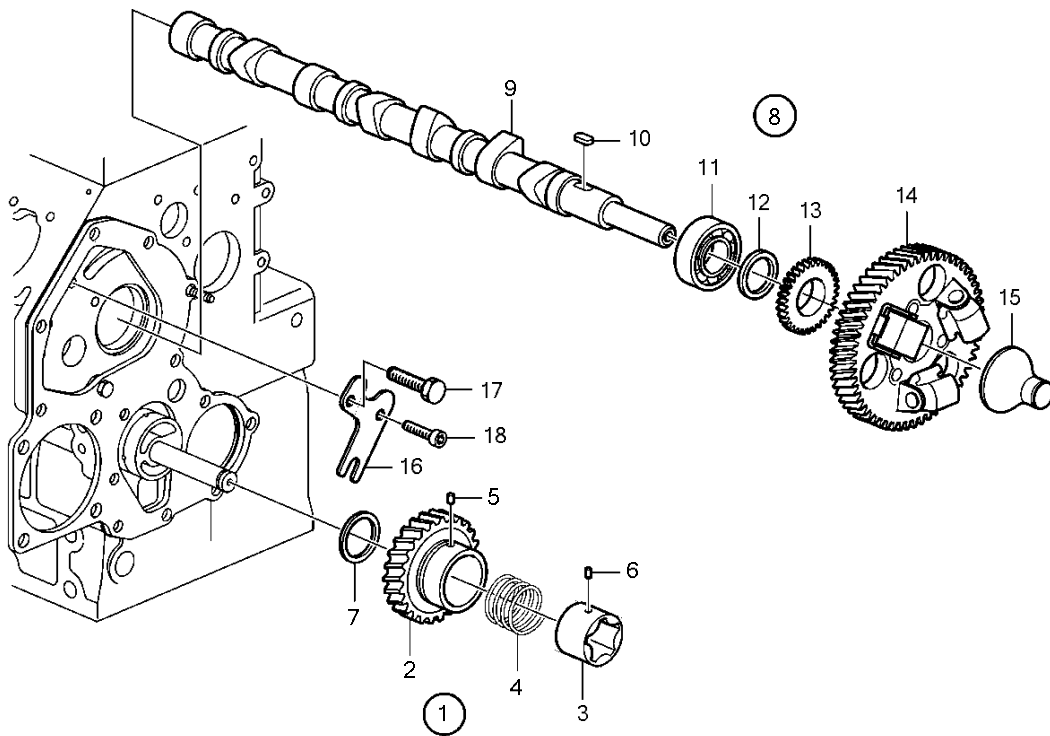


22942

D1-30A, D1-30B

REF	PART NO.	QTY	DESCRIPTION	NOTES
1	3580358	1	Gear	
2		1	* Idler gear	
3			* * Rotor	
4	861988	1	* Spring	
5	3583723	3	* Locating pin	
6	3583721	3	* Bushing	
7	861986	1	Thrust washer	
8	3812112	1	Camshaft	
9		1	* Camshaft	
10	861969	1	* Woodruff key	
11	861984	1	* Bearing	
12	3583717	1	* Spacer	
13	861982	1	* Gear	
14	3580357	1	* Gear	
15	3580568	1	Sliding sleeve	
16	861991	1	Plate	
17	(861994)	1	Screw	Obsolete part
18	861526	1	Screw	

D1-30F

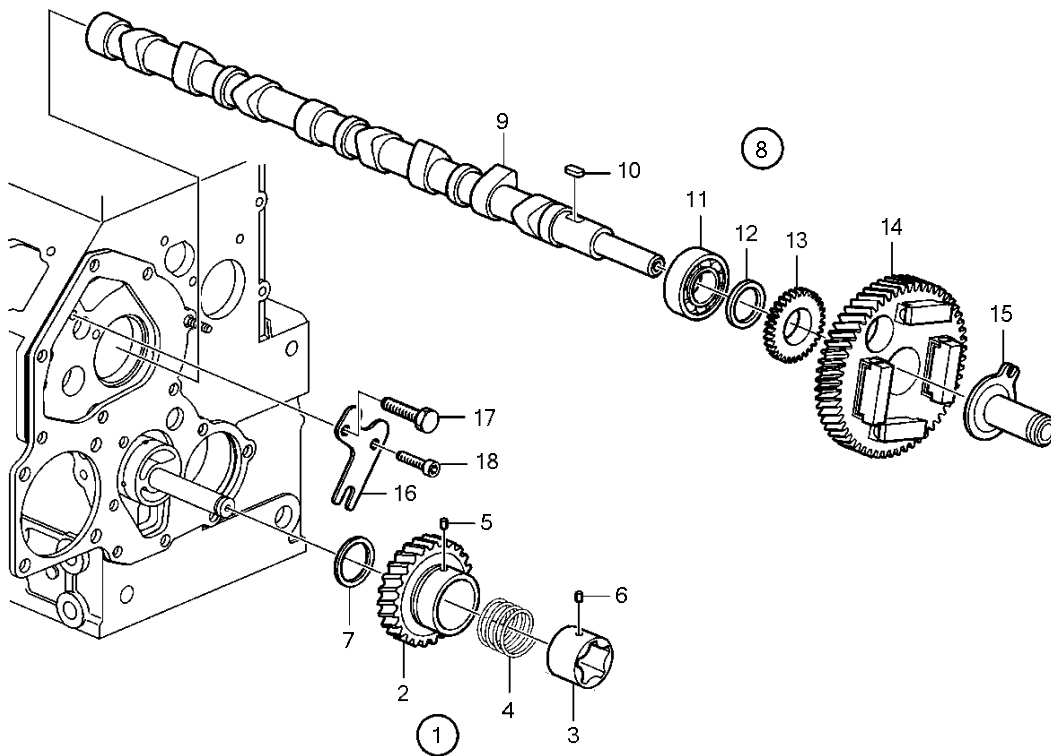


24416

D1-30F

REF	PART NO.	QTY	DESCRIPTION	NOTES
1	21188534	1	Idler gear	Replaced by 21541015
	21541015		Oil pump	
2		1	* Idler gear	
3			* Rotor	
4	861988	1	* Spring	
5	3583723	3	* Locating pin	
6	3583721	3	* Bushing	
7	861986	1	Thrust washer	
8	21191828	1	Camshaft	
9		1	* Camshaft	
10	861969	1	* Woodruff key	
11	861984	1	* Bearing	
12	3583717	1	* Spacer	
13	861982	1	* Gear	
14	21191830	1	* Gear	
15	21187745	1	Sliding sleeve	
16	861991	1	Plate	
17	(861994)	1	Screw	Obsolete part
18	861526	1	Screw	

D2-40A, D2-40B

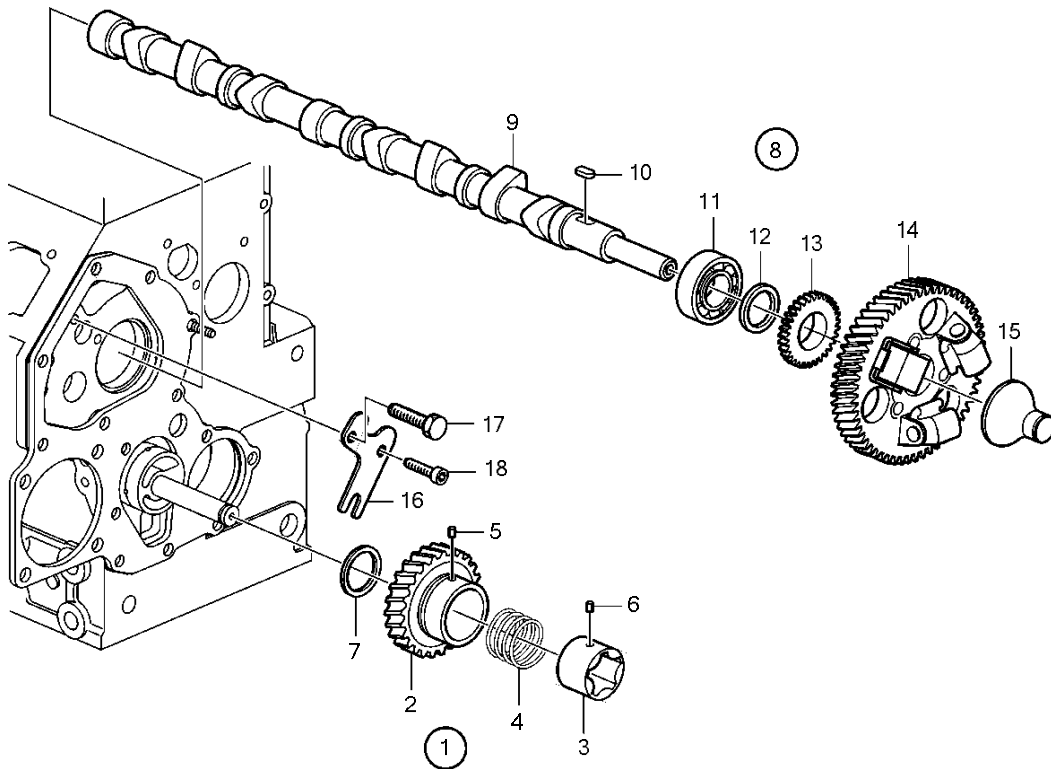


22943

D2-40A, D2-40B

REF	PART NO.	QTY	DESCRIPTION	NOTES
1	3580358	1	Gear	
2	21188534		* Idler gear	Replaced by 21541015
	21541015	1	Oil pump	
3		1	* Rotor	
4	861988	1	* Spring	
5	3583723	3	* Locating pin	
6	3583721	3	* Bushing	
7	861986	1	Thrust washer	
8	3812434	1	Camshaft	
9		1	* Camshaft	
10	861969	1	* Woodruff key	
11	3887487	1	* Ball bearing	
12	861983	3	* Spacer	
13	861982	1	* Gear	
14	3580357	1	* Gear	
15	3580568	1	Sliding sleeve	
16	861991	1	Plate	
17	(861994)	1	Screw	Obsolete part
18	861526	1	Screw	

D2-40F

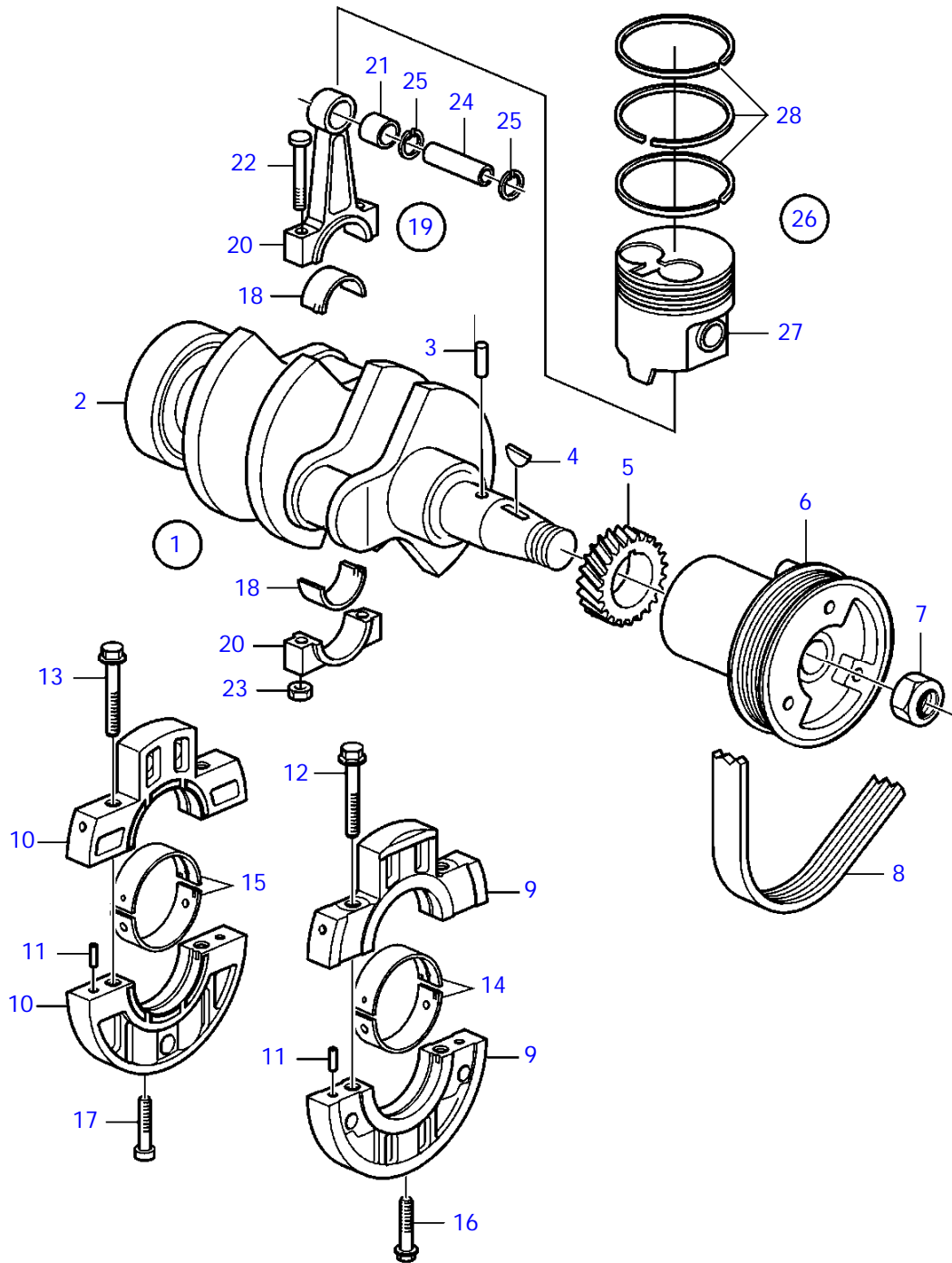


24417

D2-40F

REF	PART NO.	QTY	DESCRIPTION	NOTES
1	21188534	1	Idler gear	Replaced by 21541015
	21541015	1	Oil pump	
2		1	* Idler gear	
3		1	* Rotor	
4	861988	1	* Spring	
5	3583723	3	* Locating pin	
6	3583721	3	* Bushing	
7	861986	1	Thrust washer	
8	21193021	1	Camshaft	
9		1	* Camshaft	
10	861969	1	* Woodruff key	
11	3887487	1	* Ball bearing	
12	861983	3	* Spacer	
13	861982	1	* Gear	
14	21191830	1	* Gear	
15	21187745	1	Sliding sleeve	
16	861991	1	Plate	
17	(861994)	1	Screw	Obsolete part
18	861526	1	Screw	

D1-13A, D1-13B, D1-13F

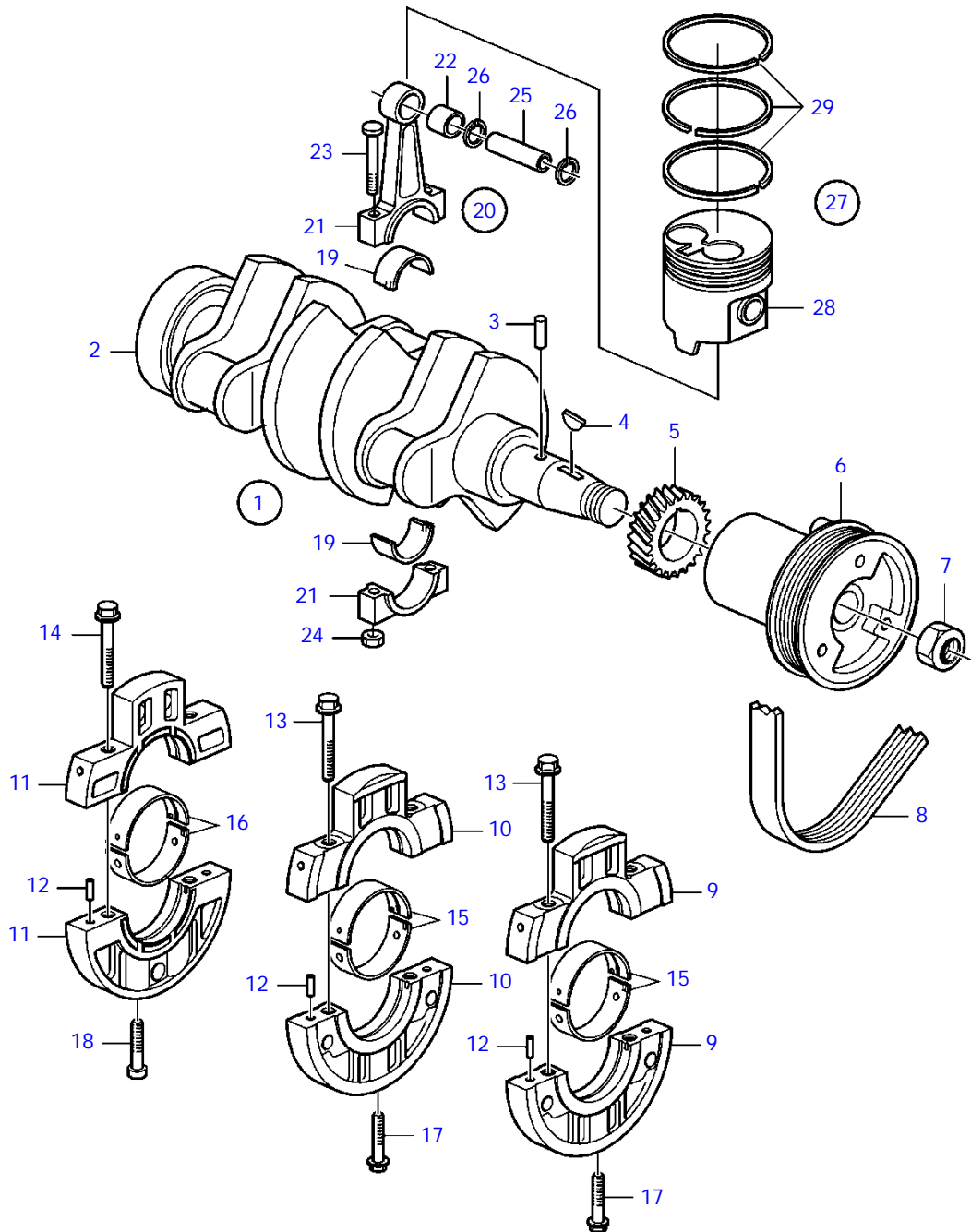


22870

D1-13A, D1-13B, D1-13F

REF	PART NO.	QTY	DESCRIPTION	SEE SEC.	NOTES
1	3809631	1	Crankshaft		
2		1	* Crankshaft		
3	861934	1	* Key		
4	3812129	1	* Key		
5	(861933)	1	* Gear		Obsolete part
6	3808779	1	Pulley		
7	861977	1	Nut		
8		1	Drive belt	8355	
9	(3884521)	1	Bearing cap		Obsolete part
10	3884522	1	Bearing cap		
11		4	Pin		
12	3884511	2	Screw		
13	3884523	2	Screw		
14	3884516	1	Main bearing kit		D1-13A, D1-13B
15	3884517	1	Main bearing kit		
16	861952	1	Screw		
17	861953	2	Screw		
18	3884561	1	Bearing shell kit		
19	3812139	2	Connecting rod		Complete
20		1	* Connecting rod		
21	861963	1	* Bushing		
22	861964	2	* Screw		
23	861965	2	* Nut		
24	861960	2	Piston pin		
25	861961	4	Lock ring		
26	3812468	2	Piston kit		
27		1	* Piston		
28	3812472	1	* Piston ring		

D1-20A, D1-20B, D1-20F

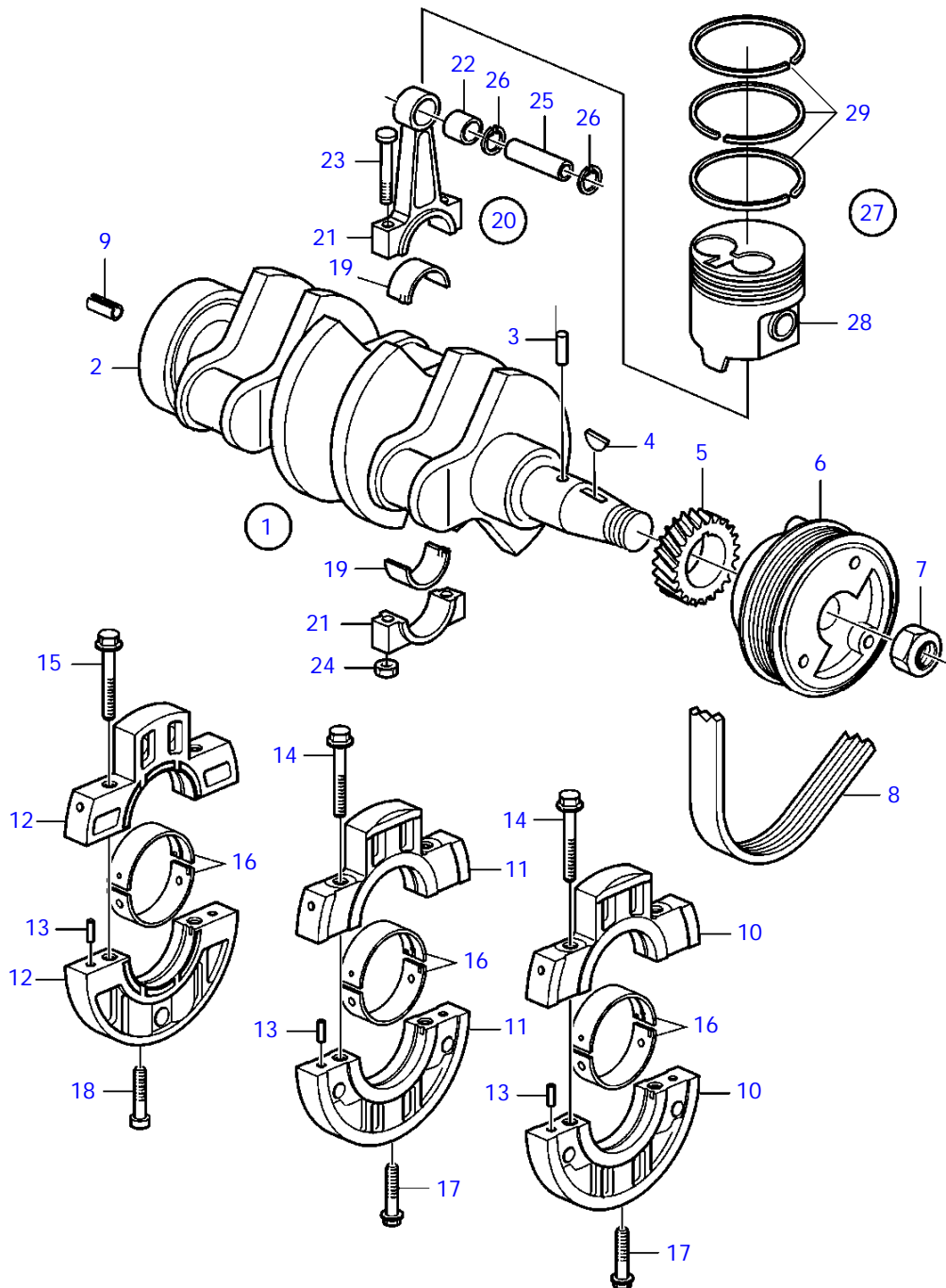


22871

D1-20A, D1-20B, D1-20F

REF	PART NO.	QTY	DESCRIPTION	SEE SEC.	NOTES
1	3809706	1	Crankshaft		
2		1	* Crankshaft		
3	861934	1	* Key		
4	3812129	1	* Key		
5	(861933)	1	* Gear		Obsolete part
6	3809648	1	Pulley		
7	861977	1	Nut		
8		1	Drive belt	8355	
9		1	Bearing cap		
10	(3884521)	1	Bearing cap		Obsolete part
11	3884522	1	Bearing cap		
12		6	Pin		
13	3884511	4	Screw		
14	3884523	2	Screw		
15	3884516	2	Main bearing kit		D1-20A, D1-20B
16	3884517	1	Main bearing kit		
17	861952	2	Screw		
18	861953	2	Screw		
19	3884557	1	Bearing shell kit		
20	3812139	3	Connecting rod		Complete
21		1	* Rod bearing		
22	861963	1	* Bushing		
23	861964	2	* Screw		
24	861965	2	* Nut		
25	861960	3	Piston pin		
26	861961	6	Lock ring		
27	3812468	3	Piston kit		
28		1	* Piston		
29	3812472	1	* Piston ring		

D1-30A, D1-30B, D1-30F

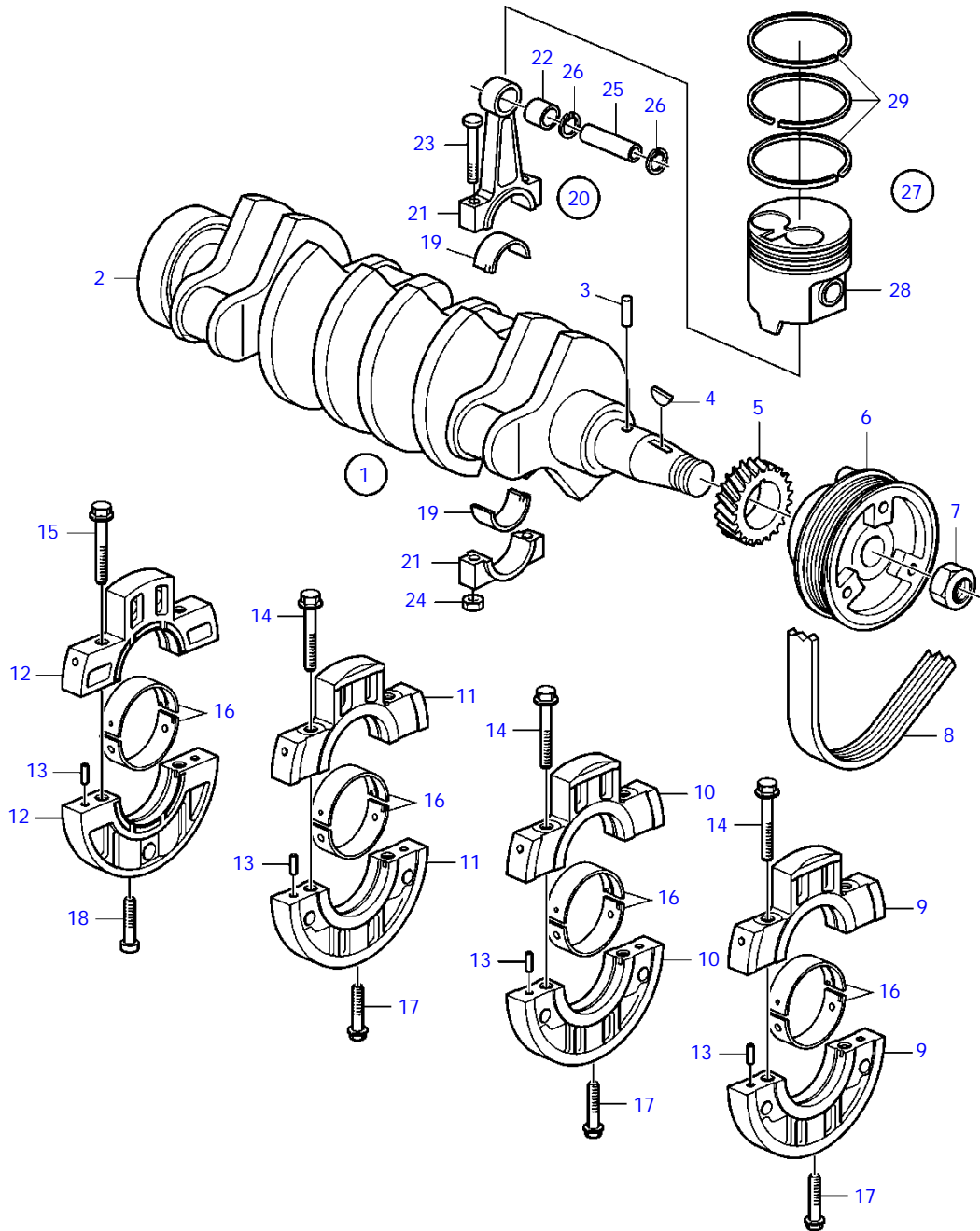


22649

D1-30A, D1-30B, D1-30F

REF	PART NO.	QTY	DESCRIPTION	SEE SEC.	NOTES
1	21191767	1	Crankshaft		D1-30A, D1-30B
	21271485	1	Crankshaft		D1-30F
2		1	* Crankshaft		
3	861934	1	* Key		
4	861969	1	* Woodruff key		
5	(3580333)	1	* Gear		Obsolete part, D1-30A, D1-30B
	21272234	1	* Gear		D1-30F
6	3812453	1	Pulley		D1-30A, D1-30B
	21192320		Pulley		D1-30F
7	861977	1	Nut		
8		1	Drive belt	8356	D1-30A, D1-30B
		1	Drive belt	35099	D1-30F
9	3580352	1	Locating pin		
10		1	Bearing		
11		1	Bearing		
12	3812416	1	Bearing		
13		6	Pin		
14	947760	4	Flange screw		
15	3884511	2	Screw		
16	21132989		Main bearing kit		(3884512)
17	861952	2	Screw		
18	861953	2	Screw		
19	21252967	1	Bearing shell kit		
20	3812206	3	Connecting rod		Complete
21		1	* Connecting rod		
22	3580346	1	* Bushing		
23	3580347	2	* Screw		
24	3580348	2	* Nut		
25	3580343	3	Piston pin		
26	3580344	6	Lock ring		
27	3812470	3	Piston kit		
28		1	* Piston		
29	3812474	1	* Piston ring kit		

D2-40A, D2-40B, D2-40F

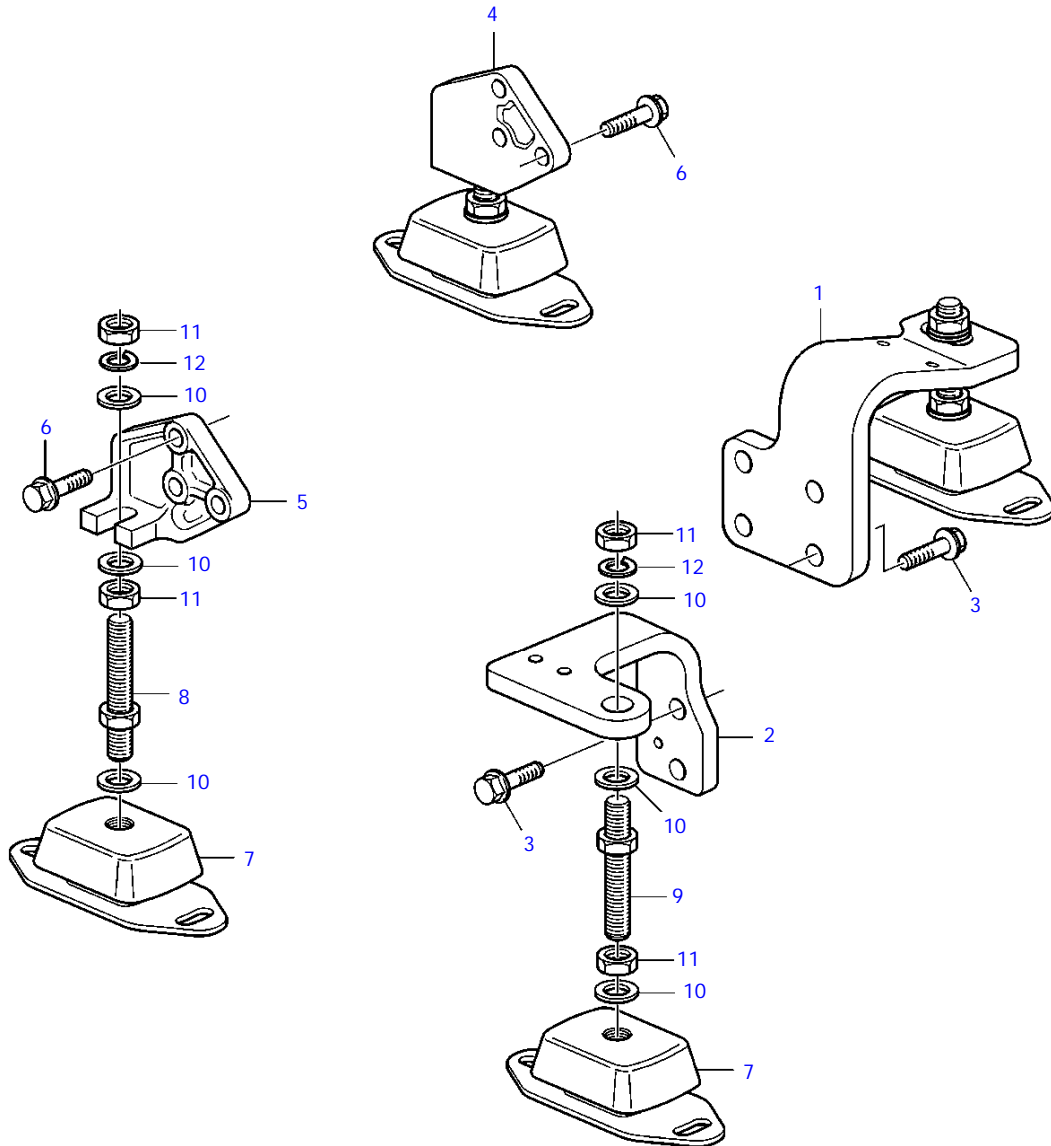


22872

D2-40A, D2-40B, D2-40F

REF	PART NO.	QTY	DESCRIPTION	SEE SEC.	NOTES
1	3812430	1	Crankshaft		
2		1	* Crankshaft		
3	861934	1	* Key		
4	861969	1	* Woodruff key		
5	3812431	1	* Gear		
6	21193014	1	* Pulley		(3812451)
7	861977	1	Nut		
8		1	Drive belt	8356	D2-40A, D2-40B
		1	Drive belt	35099	D2-40F
9		1	Bearing		
10		1	Bearing		
11		1	Bearing		
12	3812416	1	Bearing		
13		8	Pin		
14	947760	6	Flange screw		
15	3884511	2	Screw		
16	3884515	1	Main bearing kit		
17	861952	3	Screw		
18	861953	2	Screw		
19	3884564	1	Bearing shell kit		
20	3812206	4	Connecting rod		Complete
21		1	* Connecting rod		
22	3580346	1	* Bushing		
23	3580347	2	* Screw		
24	3580348	2	* Nut		
25	3580343	4	Piston pin		
26	3580344	8	Lock ring		
27	3812470	4	Piston kit		
28		1	* Piston		
29	3812474	1	* Piston ring kit		

D1-13A, D1-13B, D1-13F

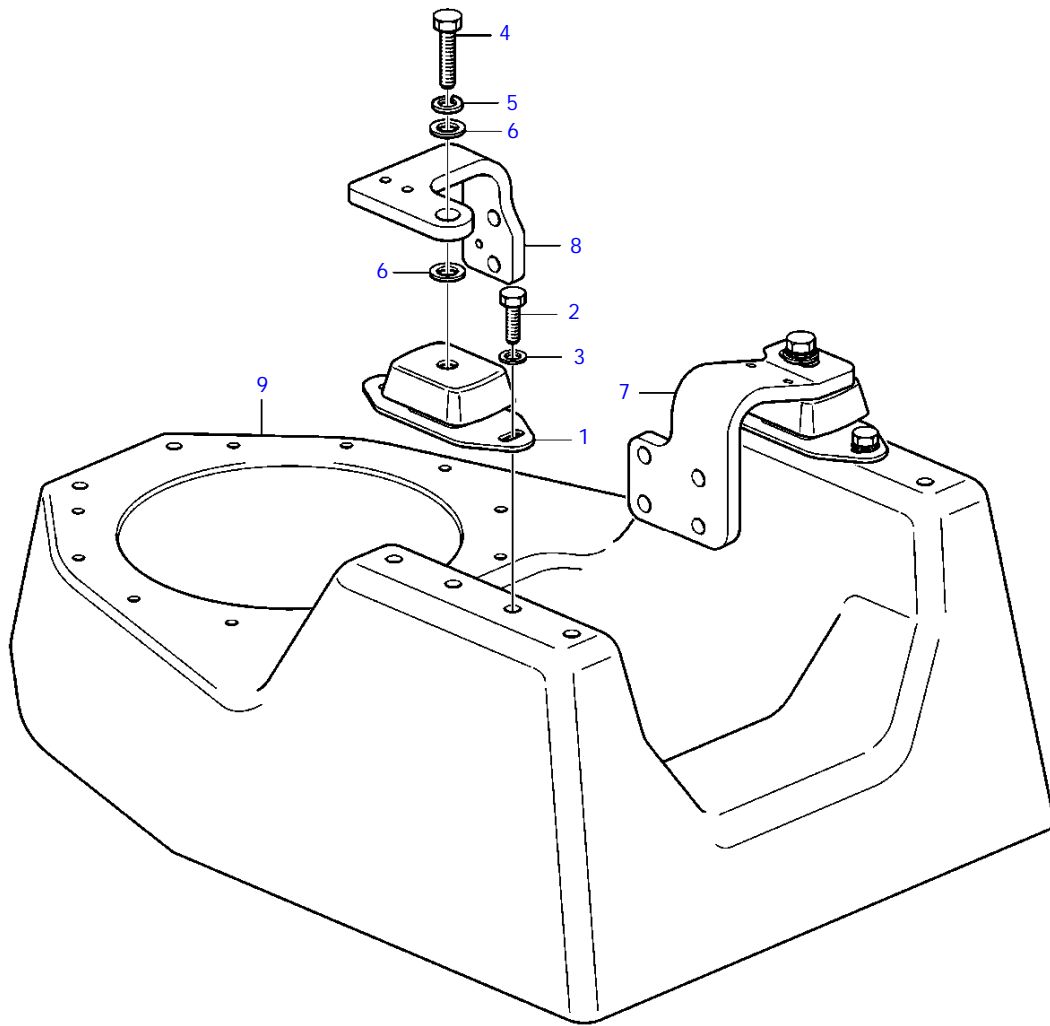


22889

D1-13A, D1-13B, D1-13F

REF	PART NO.	QTY	DESCRIPTION	NOTES
1	3812710	1	Engine bracket, front	Port
2	3819577	1	Engine bracket, front	Starboard, D1-13A, D1-13B
	21107569	1	Engine bracket, front	Starboard, D1-13F
3	984698	4	Hexagon screw	D1-13A, D1-13B
	946329	4	Flange screw	D1-13F
4	3812733	1	Engine bracket, rear	Port
5	3817030	1	Engine bracket, rear	Starboard
6	965185	6	Flange screw	
7	861460	4	Rubber cushion	
8	3817628	2	Adjusting screw	Port
9	861431	2	Adjusting screw	Starboard
10	945094	12	Washer	
11	955821	8	Hexagon nut	
12	941912	4	Spring washer	

D1-13A, D1-13B, D1-13F

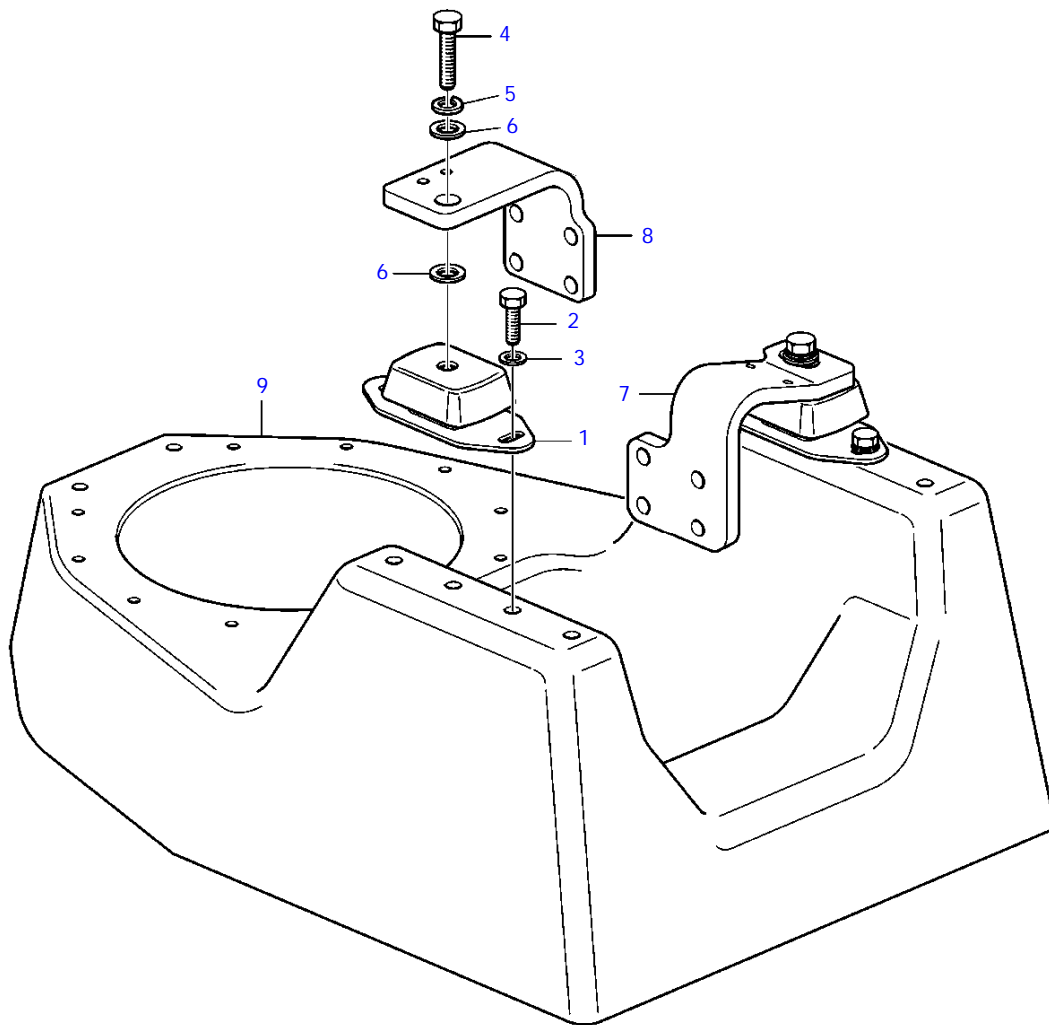


22898

D1-13A, D1-13B, D1-13F

REF	PART NO.	QTY	DESCRIPTION	NOTES
1	861460	2	Rubber cushion	
2	963580	4	Hexagon screw	
3	976945	4	Washer	
4	959710	2	Hexagon screw	
5	941912	2	Spring washer	
6	955900	4	Washer	
7	3819577	1	Engine bracket, front	Port, D1-13A, D1-13B
	21107569	1	Engine bracket, front	Port, D1-13F
8	3812710	1	Engine bracket, front	Starboard
9	3842284	1	Engine bed	

D1-20A, D1-20B, D1-20F

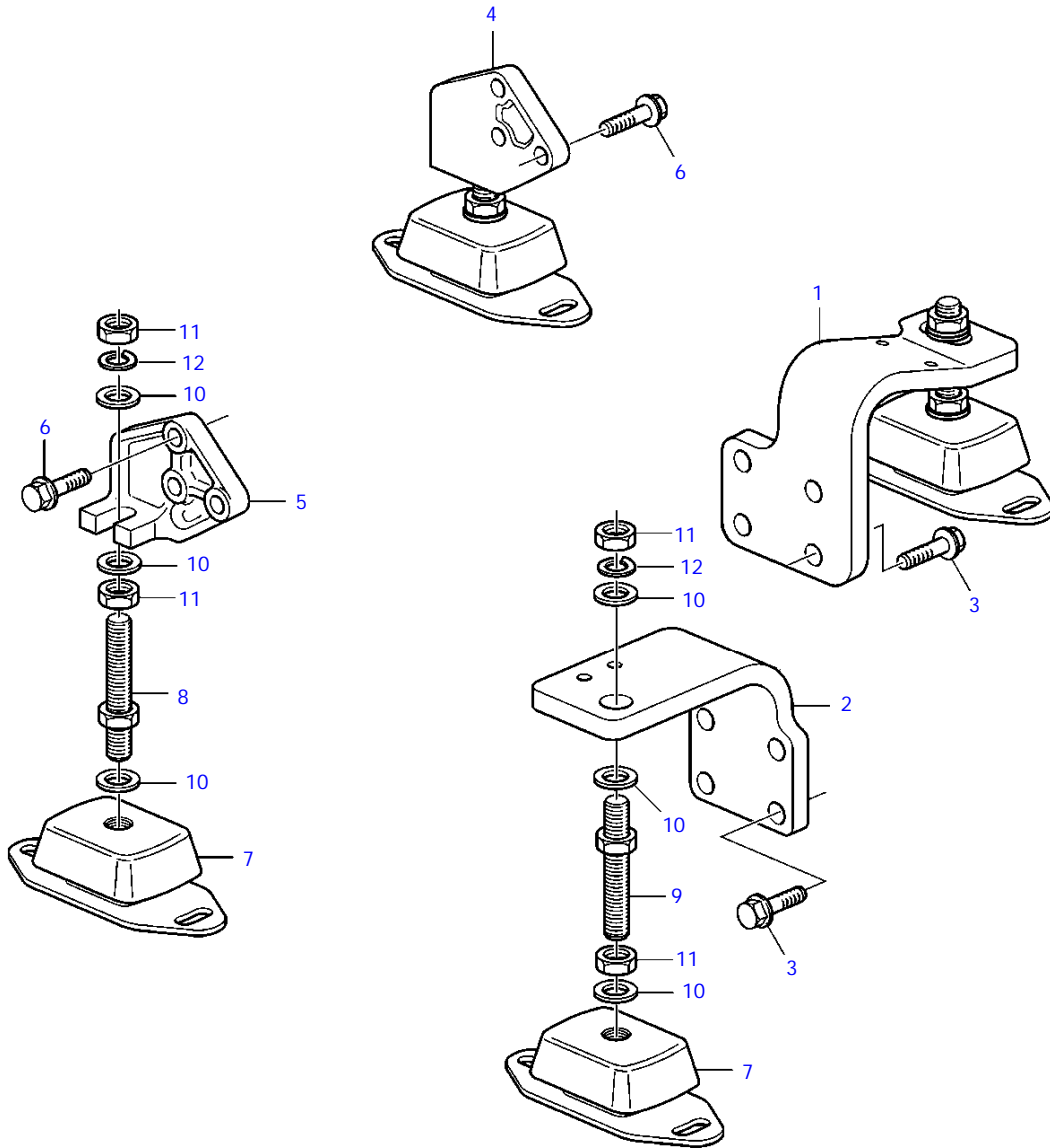


22899

D1-20A, D1-20B, D1-20F

REF	PART NO.	QTY	DESCRIPTION	NOTES
1	861460	2	Rubber cushion	
2	963580	4	Hexagon screw	
3	976945	4	Washer	
4	959710	2	Hexagon screw	
5	941912	2	Spring washer	
6	955900	4	Washer	
7	3812710	1	Engine bracket, front	Port
8	3819404	1	Engine bracket, front	Starboard, D1-20A, D1-20B
	21107579	1	Engine bracket	Starboard, D1-20F
9	3842284	1	Engine bed	

D1-20A, D1-20B, D1-20F

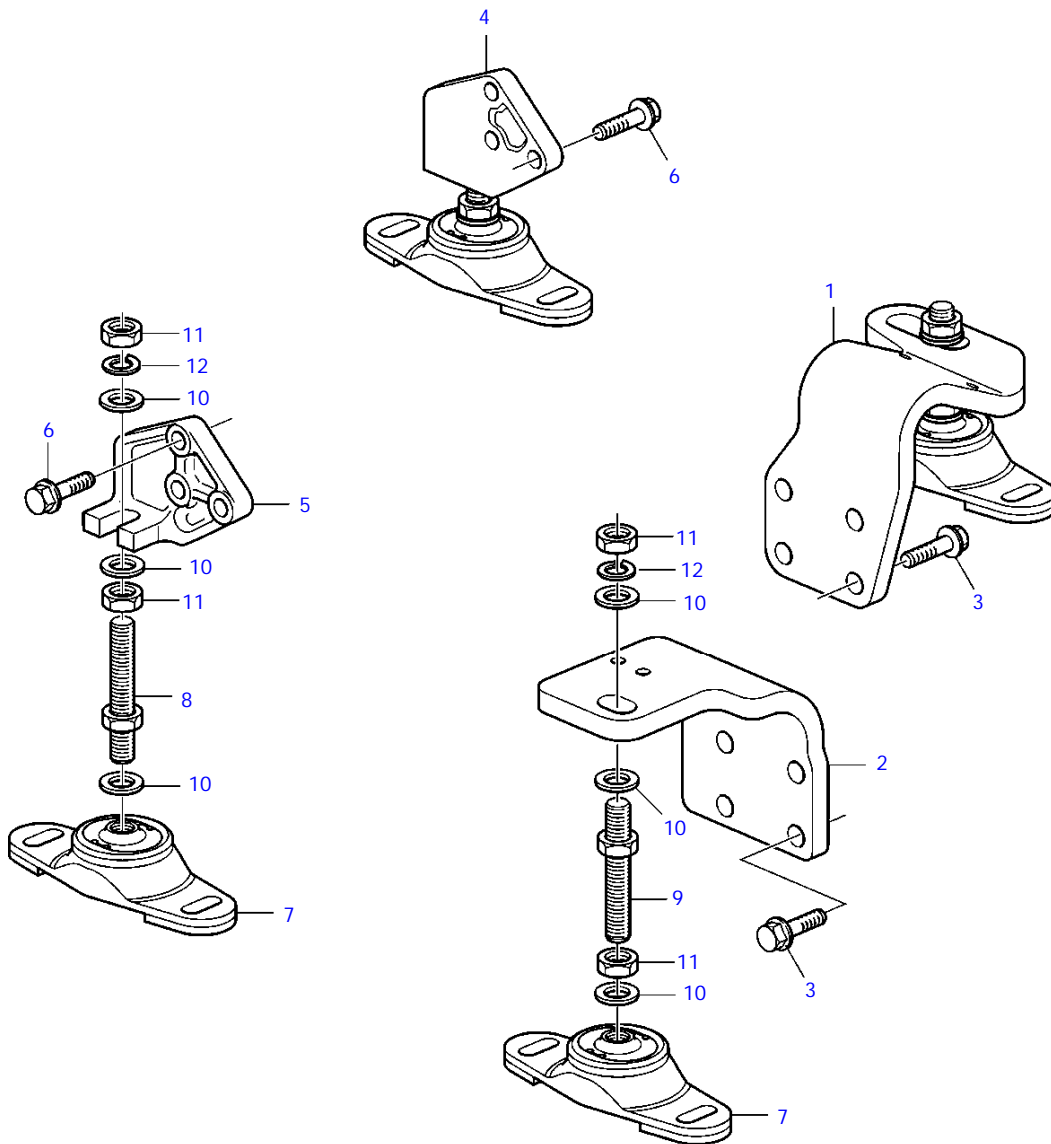


22890

D1-20A, D1-20B, D1-20F

REF	PART NO.	QTY	DESCRIPTION	NOTES
1	3812710	1	Engine bracket, front	Port
2	3819404	1	Engine bracket, front	Starboard, D1-20A, D1-20B
	21107579	1	Engine bracket, front	Starboard, D1-20F
3	984698	8	Hexagon screw	D1-20A, D1-20B
	946329	8	Flange screw	D1-20F
4	3812733	1	Engine bracket, rear	Port
5	3817030	1	Engine bracket, rear	Starboard
6	965185	6	Flange screw	
7	3888807	4	Rubber cushion	
8	3817628	2	Adjusting screw	Port
9	861431	2	Adjusting screw	Starboard
10	945094	12	Washer	
11	955821	8	Hexagon nut	
12	941912	4	Spring washer	

D1-30A, D1-30B, D1-30F

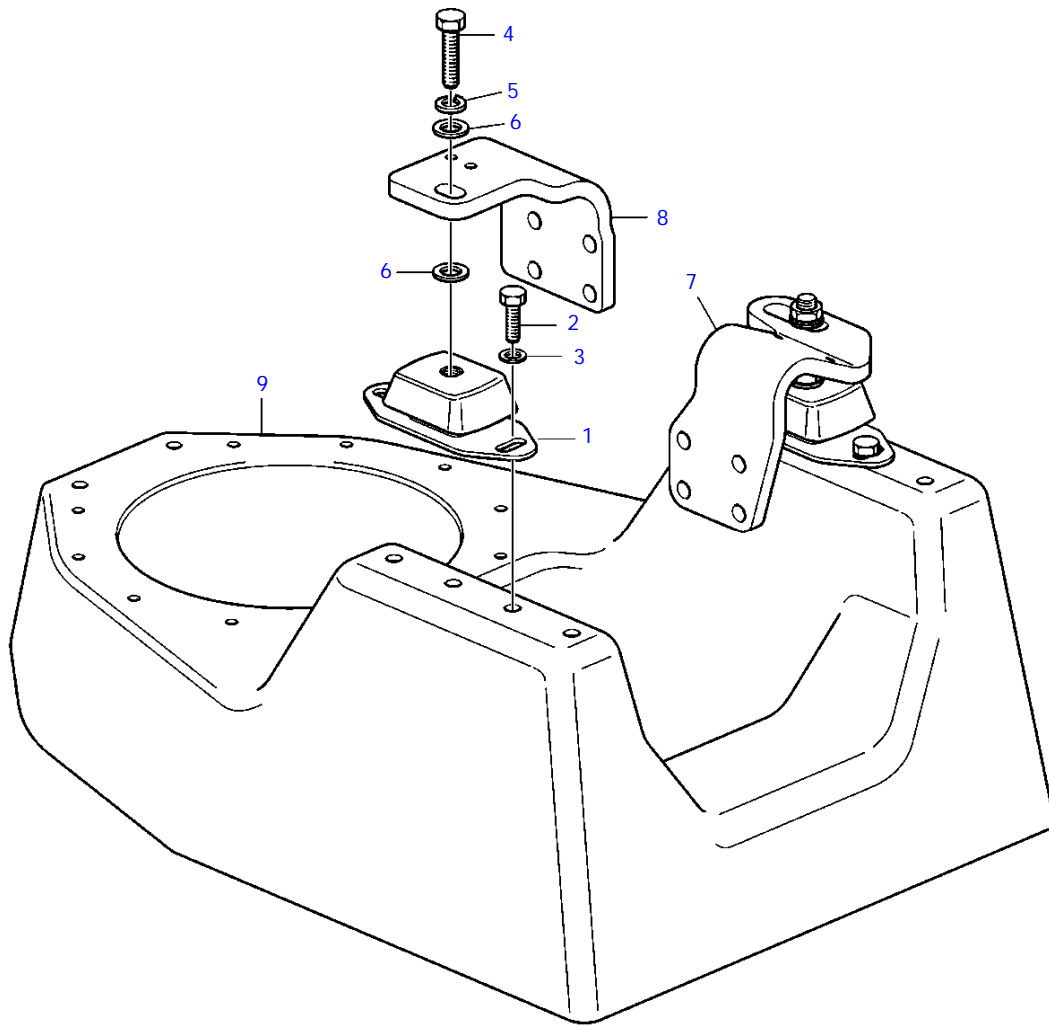


22663

D1-30A, D1-30B, D1-30F

REF	PART NO.	QTY	DESCRIPTION	NOTES
1	3812400	1	Engine bracket, front	Port, D1-30A, D1-30B
	21192336	1	Engine bracket, front	Port, D1-30F
2	3812731	1	Engine bracket, front	Starboard
3	21246649	8	Flange screw	
4	3812733	1	Engine bracket, rear	Port
5	3817030	1	Engine bracket, rear	Starboard
6	965185	6	Flange screw	
7	3888806	4	Rubber cushion	
8	3817628	2	Adjusting screw	Port
9	861431	2	Adjusting screw	Starboard
10	945094	12	Washer	
11	955821	8	Hexagon nut	
12	941912	4	Spring washer	

D1-30A, D1-30B, D1-30F

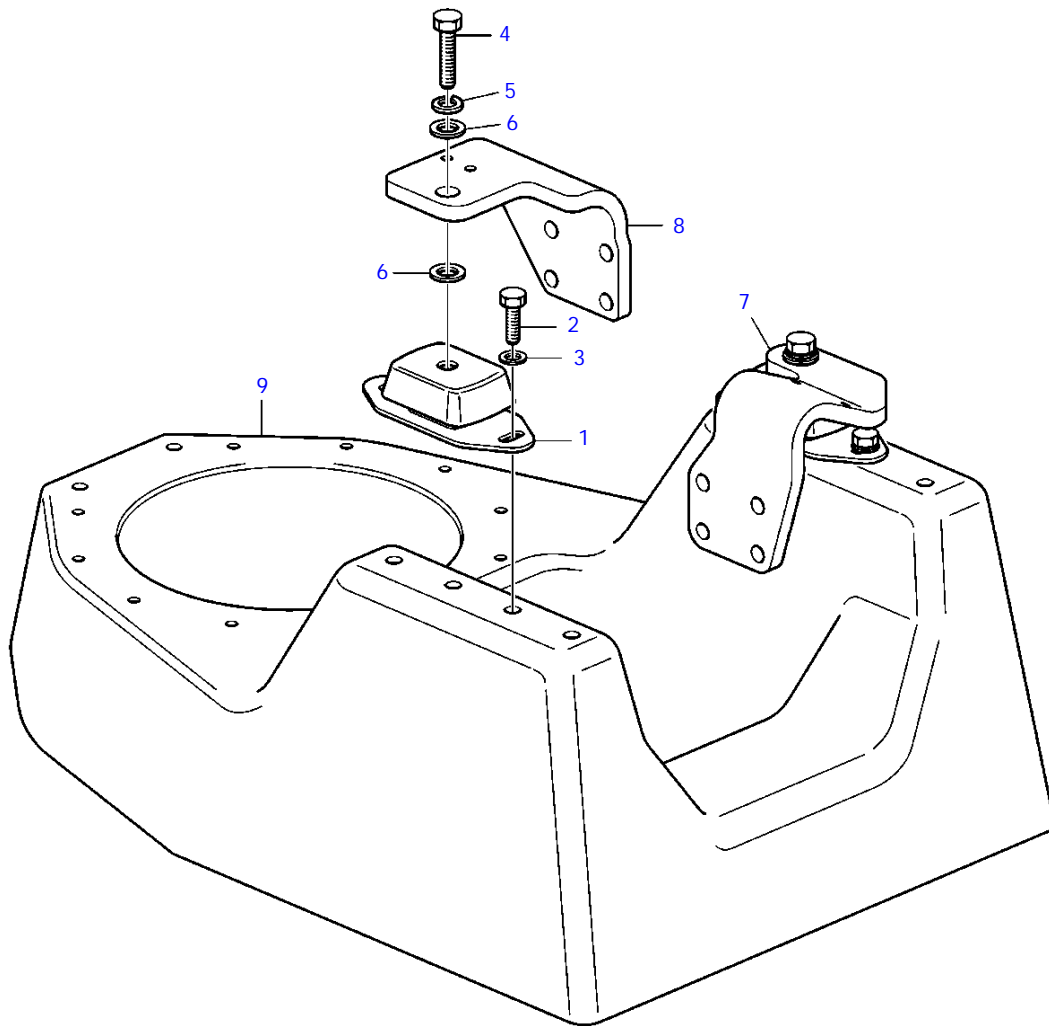


22900

D1-30A, D1-30B, D1-30F

REF	PART NO.	QTY	DESCRIPTION	NOTES
1	856834	2	Rubber cushion, front	
2	963580	4	Hexagon screw	
3	976945	4	Washer	
4	959710	2	Hexagon screw	
5	941912	2	Spring washer	
6	955900	4	Washer	
7	3812400	1	Engine bracket, front	Port, D1-30A, D1-30B
	21192336	1	Engine bracket, front	Port, D1-30F
8	3812731	1	Engine bracket, front	Starboard
9	3842284	1	Engine bed	

D2-40A, D2-40B, D2-40F

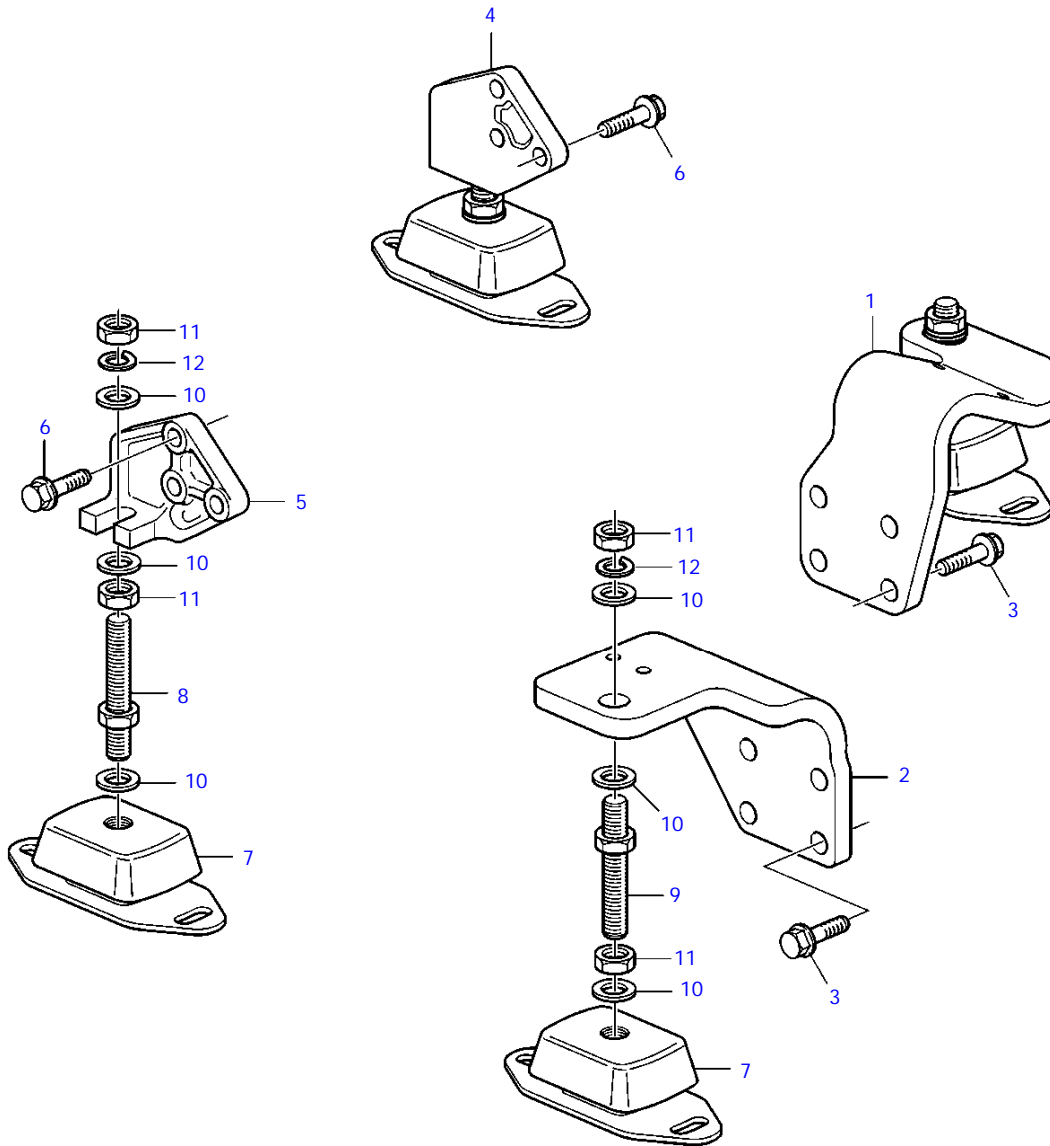


22901

D2-40A, D2-40B, D2-40F

REF	PART NO.	QTY	DESCRIPTION	NOTES
1	846765	2	Rubber element	
2	963580	4	Hexagon screw	
3	976945	4	Washer	
4	959710	2	Hexagon screw	
5	941912	2	Spring washer	
6	955900	4	Washer	
7	3812734	1	Engine bracket, front	Port
8	3812735	1	Engine bracket, front	Starboard
9	3842284	1	Engine bed	

D2-40A, D2-40B, D2-40F

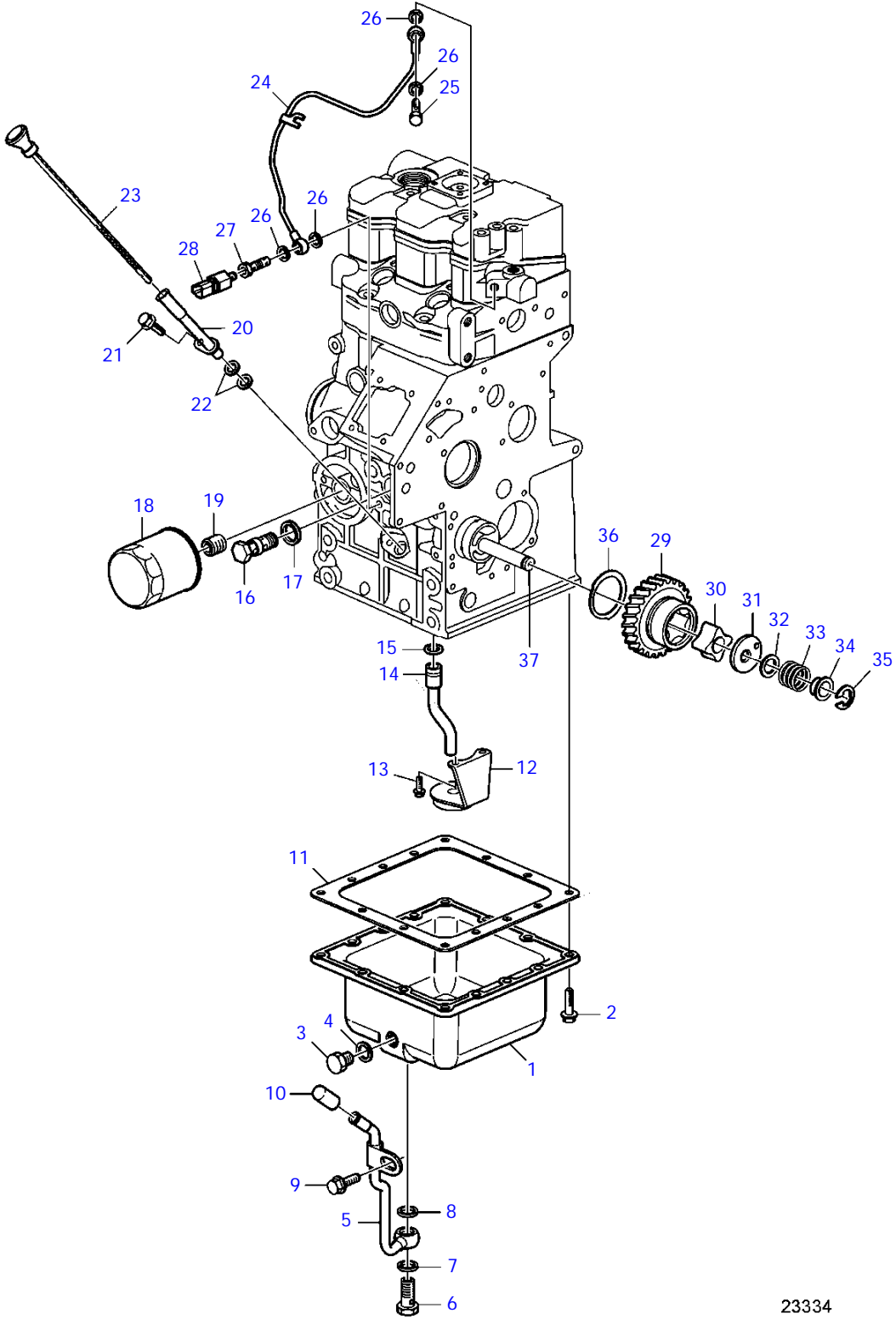


22894

D2-40A, D2-40B, D2-40F

REF	PART NO.	QTY	DESCRIPTION	NOTES
1	3812734	1	Engine bracket, front	Port
2	3812735	1	Engine bracket, front	Starboard
3	21246649	8	Flange screw	
4	3812733	1	Engine bracket, rear	Port
5	3817030	1	Engine bracket, rear	Starboard
6	965185	6	Flange screw	
7	861460	4	Rubber cushion	
8	3817628	2	Adjusting screw	Port
9	861431	2	Adjusting screw	Starboard
10	945094	12	Washer	
11	955821	8	Hexagon nut	
12	941912	4	Spring washer	

D1-13A, D1-13B

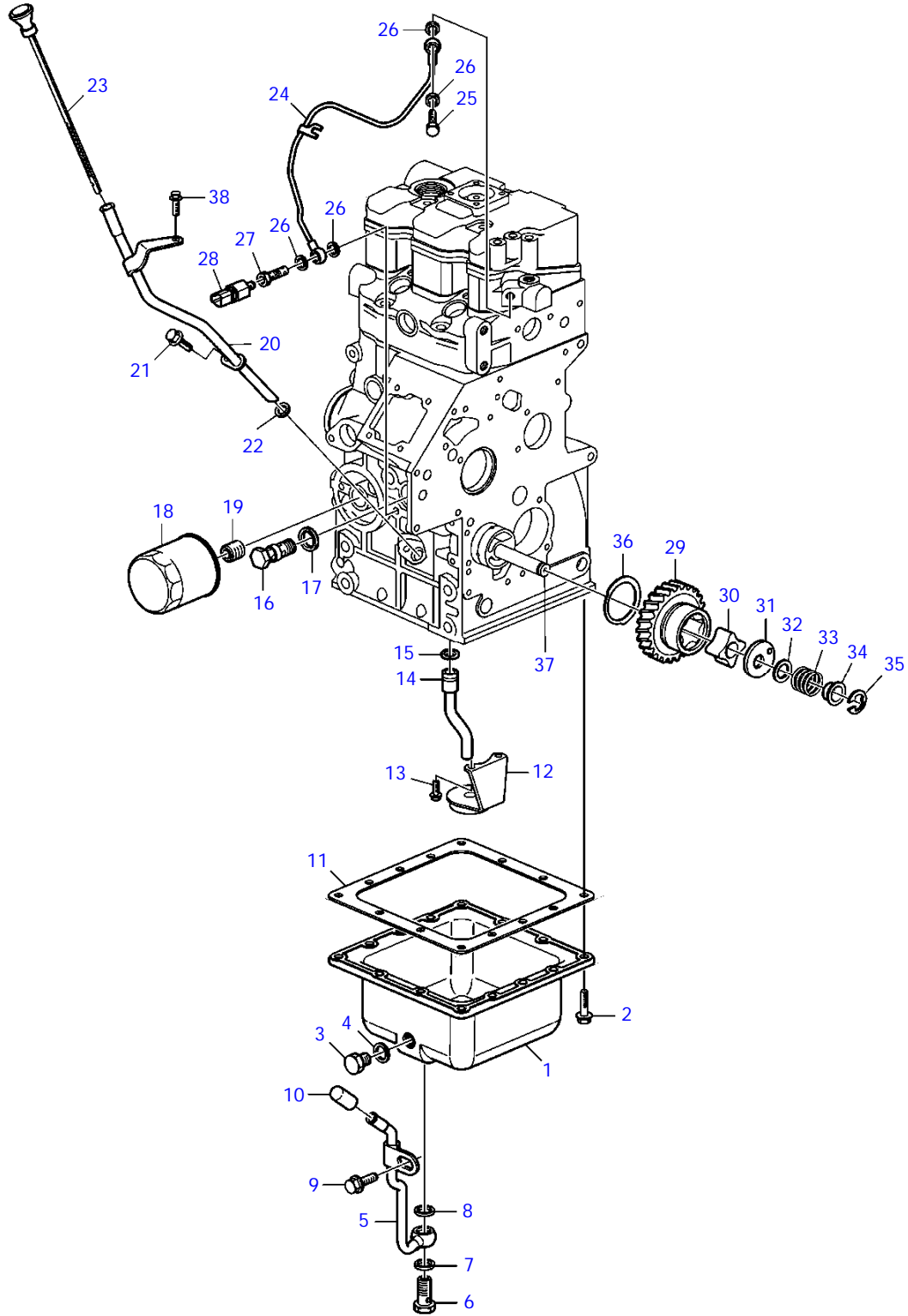


23334

D1-13A, D1-13B

REF	PART NO.	QTY	DESCRIPTION	SEE SEC.	NOTES
1	3808604	1	Sump		
2	945358	14	Flange screw		
3	3808606	2	Plug		
4	3808607	2	Washer		
5	3581779	1	Oil pipe		
6	3581928	1	Hollow screw		
7	3884542	1	Sealing ring		
8	3884543	1	Sealing ring		
9	947107	1	Flange screw		
10	1276516	1	Rubber cap		
11	861822	1	Gasket		
12	3886402	1	Strainer		
13	861526	2	Screw		
14	861998	1	Suction pipe		
15	861997	1	O-ring		
16	3583580	1	Reduction valve		
17	3583581	1	O-ring		
18	861473	1	Oil filter		
19	861825	1	Bolt		
20	3818050	1	Dipstick tube		
21	861526	1	Screw		
22	3886404	2	O-ring		
23	3812147	1	Dipstick		
24	3809626	1	Oil pipe		
25	861872	1	Hollow screw		
26	11992	4	Gasket		
27	3583575	1	Hollow screw		
28	3808796	1	Pressure monitor		Replaced by 21250645
	21250645	1	Pressure switch		
29		1	Gear	8318	
30	(861989)	1	Rotor		Obsolete part, Replaced by 21541017
	21541017	1	Oil pump		
31	861527	1	Cardboard tube		
32	861528	1	Shim		T=0.10mm
	861529	1	Shim		T=0.15mm
	861530	1	Shim		T=0.20mm
	861531	1	Shim		T=0.50mm
33	861532	1	Spring		
34	861533	1	Sleeve		
35	861534	1	Lock ring		
36		1	Thrust washer	8318	
37		1	Shaft	8288	

D1-13F

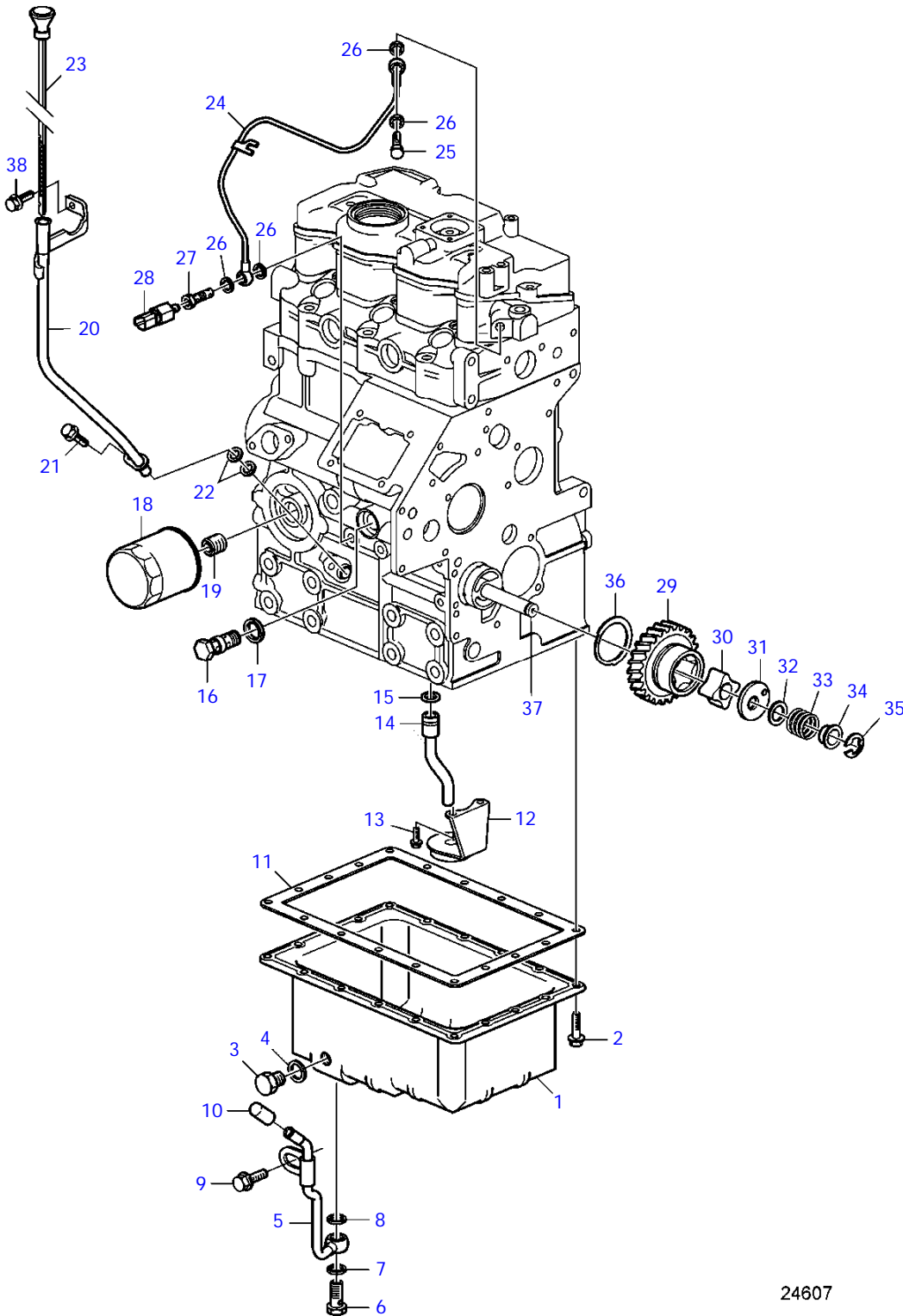


24559

D1-13F

REF	PART NO.	QTY	DESCRIPTION	SEE SEC.	NOTES
1	21281968	1	Sump		
2	21246391	14	Hexagon screw		
3	3808606	2	Plug		
4	3808607	2	Washer		
5	3581779	1	Oil pipe		
6	3581928	1	Hollow screw		
7	3884542	1	Sealing ring		
8	3884543	1	Sealing ring		
9	947107	1	Flange screw		
10	1276516	1	Rubber cap		
11	861822	1	Gasket		
12	3886402	1	Strainer		
13	861526	2	Screw		
14	861998	1	Suction pipe		
15	861997	1	O-ring		
16	3583580	1	Reduction valve		
17	3583581	1	O-ring		
18	861473	1	Oil filter		
19	861825	1	Bolt		
20	3885000	1	Dipstick tube		
21	21246391	1	Hexagon screw		
22	3886404	2	O-ring		
23	21190016	1	Oil dipstick		
24	3809626	1	Oil pipe		
25	861872	1	Hollow screw		
26	11992	4	Gasket		
27	3583575	1	Hollow screw		
28	3808796	1	Pressure monitor		Replaced by 21250645
	21250645	1	Pressure switch		
29		1	Gear	35028	
30	(861989)	1	Rotor		Obsolete part, Replaced by 21541017
	21541017	1	Oil pump		
31	861527	1	Cardboard tube		
32	861528	1	Shim		T=0.10mm
	861529	1	Shim		T=0.15mm
	861530	1	Shim		T=0.20mm
	861531	1	Shim		T=0.50mm
33	861532	1	Spring		
34	861533	1	Sleeve		
35	861534	1	Lock ring		
36		1	Thrust washer	35028	
37		1	Shaft	35035	
38	21246391	1	Hexagon screw		

D1-20A, D1-20B, D1-20F

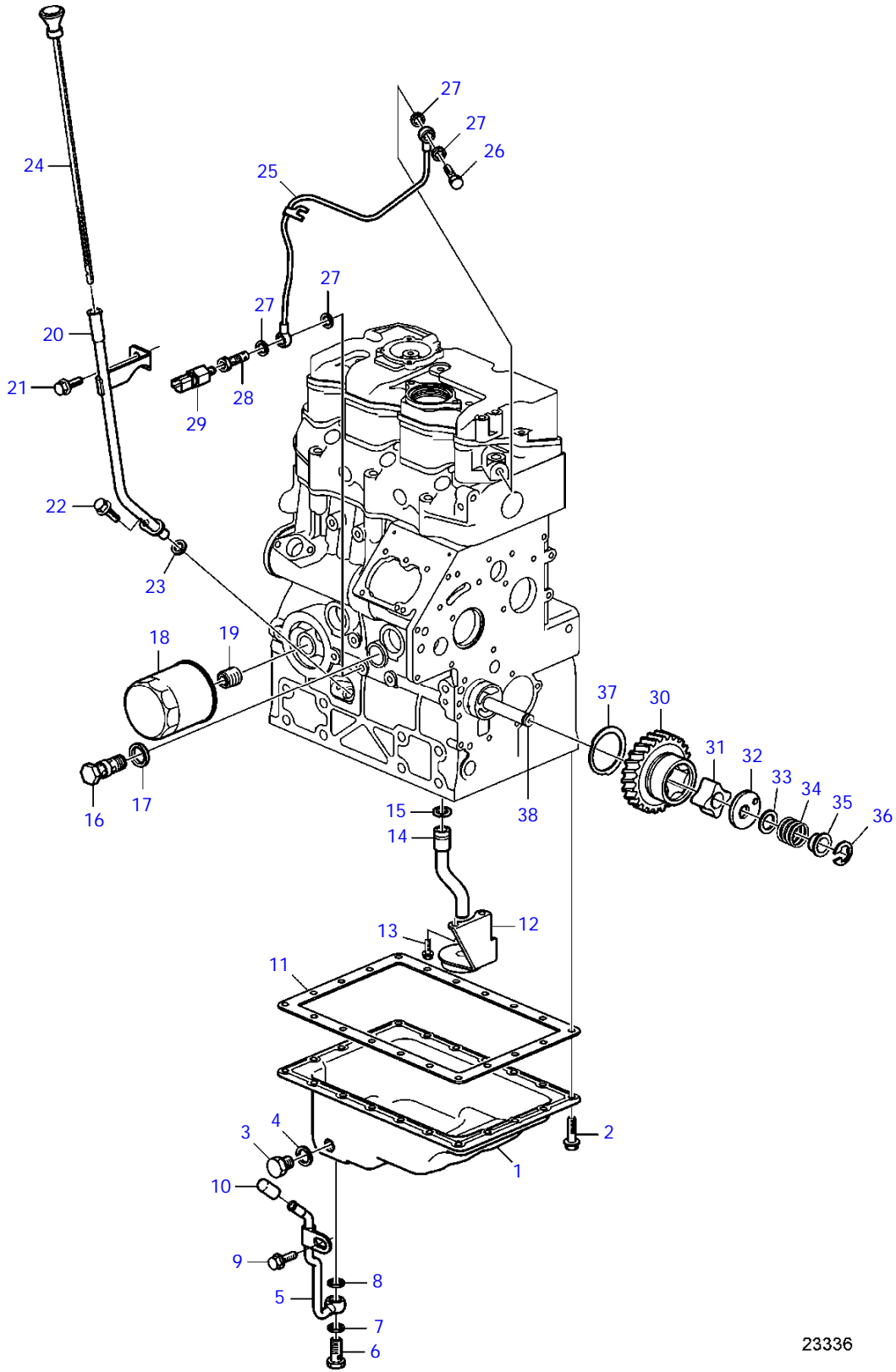


24607

D1-20A, D1-20B, D1-20F

REF	PART NO.	QTY	DESCRIPTION	SEE SEC.	NOTES
1	3581742	1	Sump		D1-20A, D1-20B
	21265546	1	Sump		D1-20F
2	21246391	18	Hexagon screw		
3	3808606	2	Plug		
4	3808607	2	Washer		
5	3581779	1	Oil pipe		
6	3581928	1	Hollow screw		
7	3884542	1	Sealing ring		
8	3884543	1	Sealing ring		
9	946471	1	Flange screw		
10	1276516	1	Rubber cap		
11	3580227	1	Gasket		
12	3886402	1	Strainer		
13	861526	2	Screw		
14	861998	1	Suction pipe		
15	861997	1	O-ring		
16	3583580	1	Reduction valve		
17	3583581	1	O-ring		
18	861473	1	Oil filter		
19	861825	1	Bolt		
20	3885001	1	Dipstick tube		
21	21246391	1	Hexagon screw		
22	3886404	2	O-ring		
23	40005668	1	Dipstick		
24	3809703	1	Oil pipe		
25	861872	1	Hollow screw		
26	947620	4	Gasket		
27	3583575	1	Hollow screw		
28	3808796	1	Pressure monitor		Replaced by 21250645
	21250645	1	Pressure switch		
29		1	Gear	8319	D1-20A, D1-20B
		1	Gear	35047	D1-20F
30	(861989)	1	Rotor		Obsolete part, Replaced by 21541017
	21541017	1	Oil pump		
31	861527	1	Cardboard tube		
32	861528	1	Shim		T=0.10mm
	861529	1	Shim		T=0.15mm
	861530	1	Shim		T=0.20mm
	861531	1	Shim		T=0.50mm
33	861532	1	Spring		
34	861533	1	Sleeve		
35	861534	1	Lock ring		
36	861986	1	Thrust washer		
37		1	Shaft	8289	D1-20A, D1-20B
		1	Shaft	35046	D1-20F
38	946440	1	Flange screw		

D1-30A, D1-30B, D1-30F



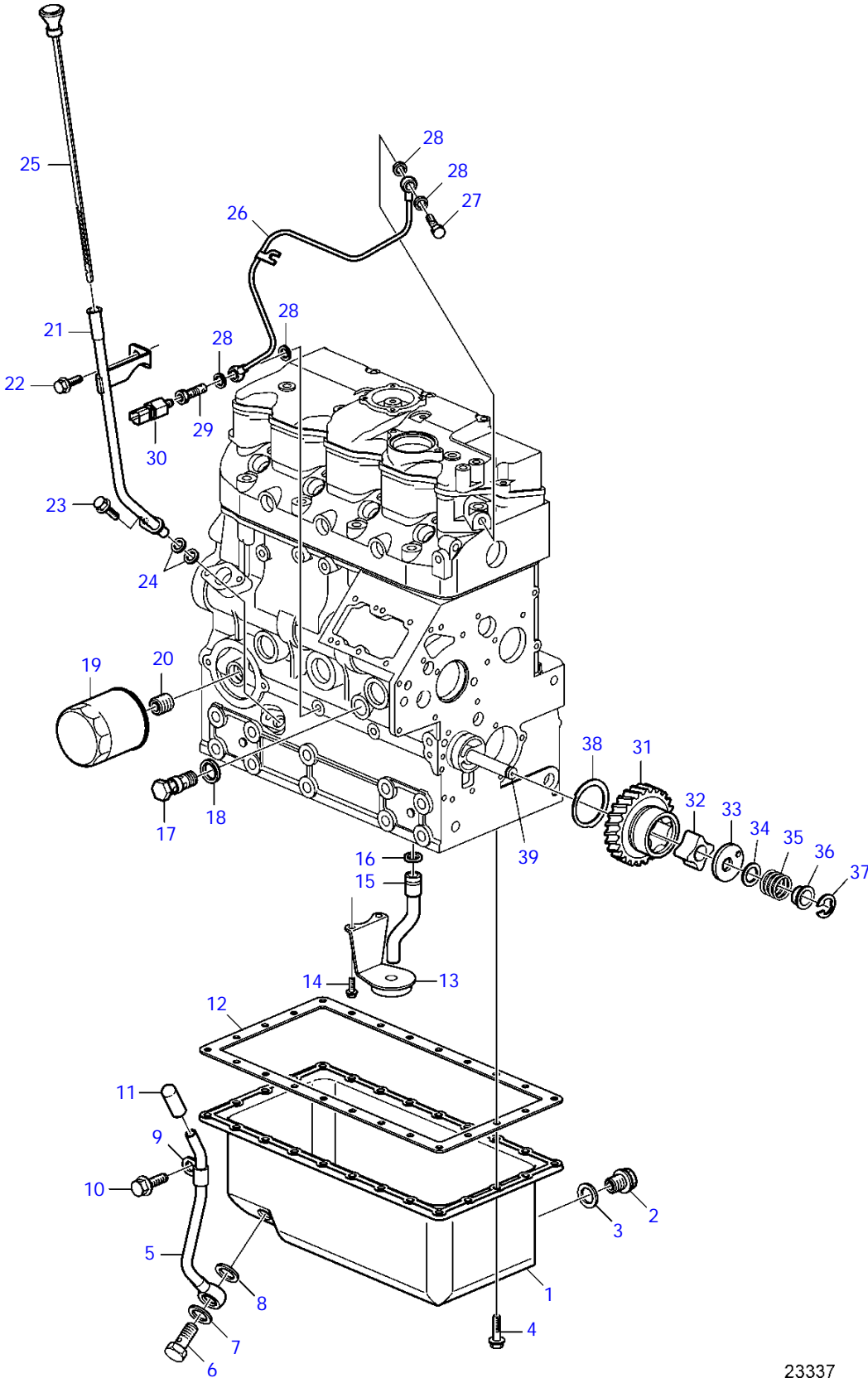
23336



D1-30A, D1-30B, D1-30F

REF	PART NO.	QTY	DESCRIPTION	SEE SEC.	NOTES
1	3581743	1	Sump		
2	21246391	20	Hexagon screw		
3	861834	2	Screw		
4	3808607	2	Washer		
5	3581779	1	Oil pipe		
6	3581928	1	Hollow screw		
7	3884542	1	Sealing ring		
8	3884543	1	Sealing ring		
9	(3582370)	1	Screw		Obsolete part
10	1276516	1	Rubber cap		
11	3580288	1	Gasket		
12	3580362	1	Strainer		
13	861526	2	Screw		
14	3580361	1	Suction pipe		
15	861997	1	O-ring		
16	3583580	1	Reduction valve		
17	3583581	1	O-ring		
18	3840525	1	Oil filter		
19	861825	1	Bolt		
20	3580297	1	Tube		
21	947107	1	Flange screw		
22	21246391	1	Hexagon screw		
23	861851	1	O-ring		
24	3812441	1	Dipstick		
25	3884545	1	Oil pipe		
26	861872	1	Hollow screw		
27	947620	4	Gasket		
28	3583575	1	Hollow screw		
29	3808796	1	Pressure monitor		Replaced by 21250645
	21250645	1	Pressure switch		
30		1	Gear	8321	D1-30A, D1-30B
		1	Gear	35087	D1-30F
31	(861989)	1	Rotor		Obsolete part, Replaced by 21541015
	21541015	1	Oil pump		
32	861527	1	Cardboard tube		
33	861528	1	Shim		T=0.10mm
	861529	1	Shim		T=0.15mm
	861530	1	Shim		T=0.20mm
	861531	1	Shim		T=0.50mm
34	861532	1	Spring		
35	861533	1	Sleeve		
36	861534	1	Lock ring		
37	861986	1	Thrust washer		
38		1	Shaft	8290	D1-30A, D1-30B
		1	Shaft	35092	D1-30F

D2-40A, D2-40B, D2-40F



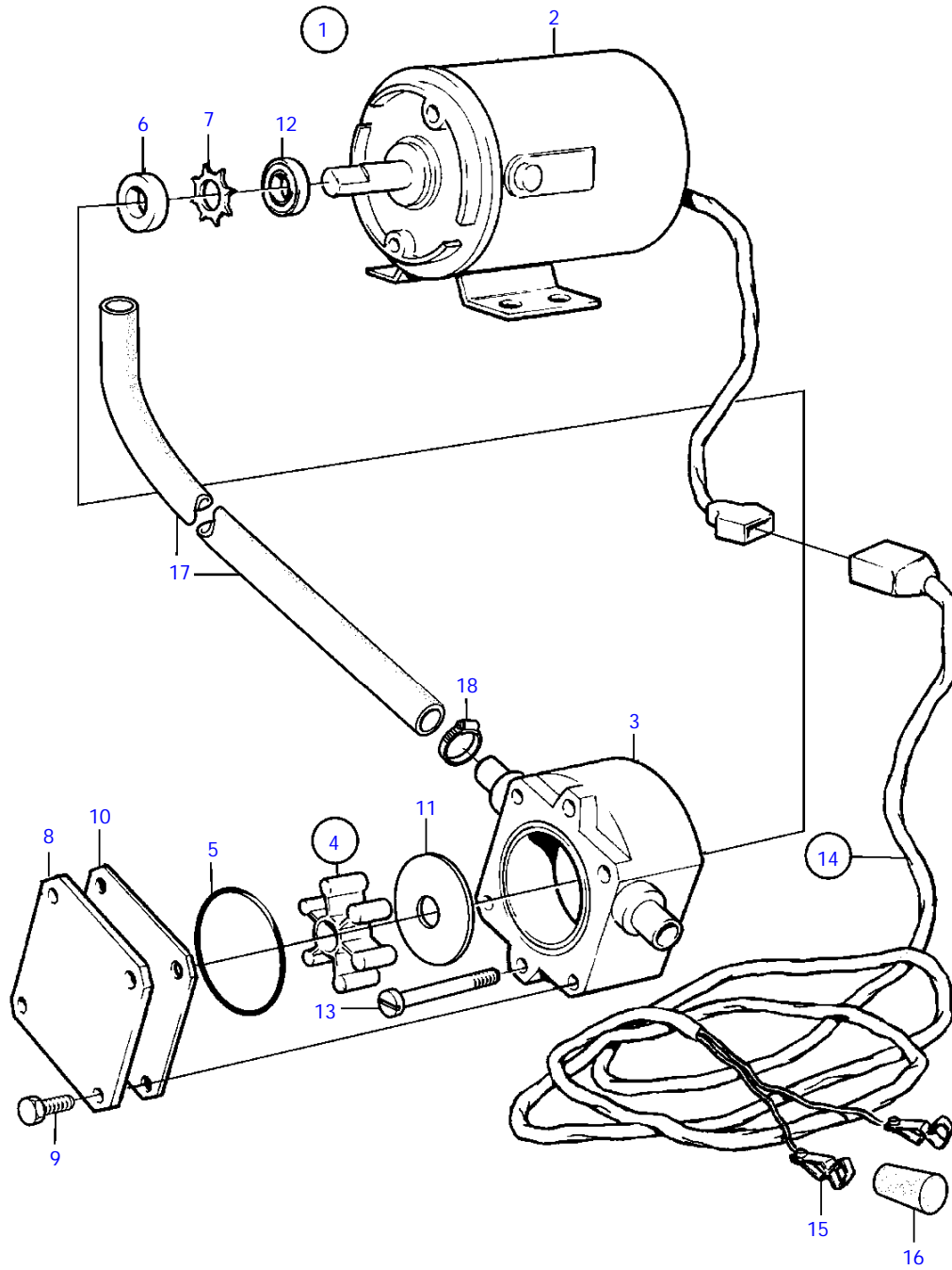
23337



D2-40A, D2-40B, D2-40F

REF	PART NO.	QTY	DESCRIPTION	SEE SEC.	NOTES
1	3812440	1	Sump		D2-40A, D2-40B
	21281975	1	Sump		D2-40F
2	3580091	1	Screw		
3	3580092	1	Sealing ring		
4	21246391	24	Hexagon screw		
5	3887377	1	Oil pipe		
6	941686	1	Hollow screw		
7	21424327	1	Sealing ring		
8	3580092	1	Sealing ring		
9	941565	1	Clamp		
10	(3582370)	1	Screw		Obsolete part
11	1276516	1	Rubber cap		
12	3840859	1	Gasket		
13	3886403	1	Strainer		
14	861526	2	Screw		
15	3889518	1	Oil pipe		
16	861997	1	O-ring		
17	3583580	1	Reduction valve		
18	3583581	1	O-ring		
19	3840525	1	Oil filter		
20	861825	1	Bolt		
21	3580297	1	Tube		
22	947107	1	Flange screw		
23	861526	1	Screw		
24	3886404	2	O-ring		
25	3812398	1	Dipstick		
26	3887370	1	Oil pipe		
27	861872	1	Hollow screw		
28	947620	4	Gasket		
29	3583575	1	Hollow screw		
30	3808796	1	Pressure monitor		Replaced by 21250645
	21250645	1	Pressure switch		
31		1	Gear	8322	D2-40A, D2-40B
		1	Gear	35088	D2-40F
32	(861989)	1	Rotor		Obsolete part, Replaced by 21541015
	21541015	1	Oil pump		
33	861527	1	Cardboard tube		
34	861528	1	Shim		
	861529	1	Shim		T=0.15mm
	861530	1	Shim		T=0.20mm
	861531	1	Shim		T=0.50mm
35	861532	1	Spring		
36	861533	1	Sleeve		
37	861534	1	Lock ring		
38	861986	1	Thrust washer		
39		1	Shaft	8291	D2-40A, D2-40B
		1	Shaft	35091	D2-40F

D1-13A, D1-13B, D1-20A, D1-20B, D1-30A, D1-30B, D2-40A, D2-40B, D1-13F, D1-20F, D1-30F, D2-40F

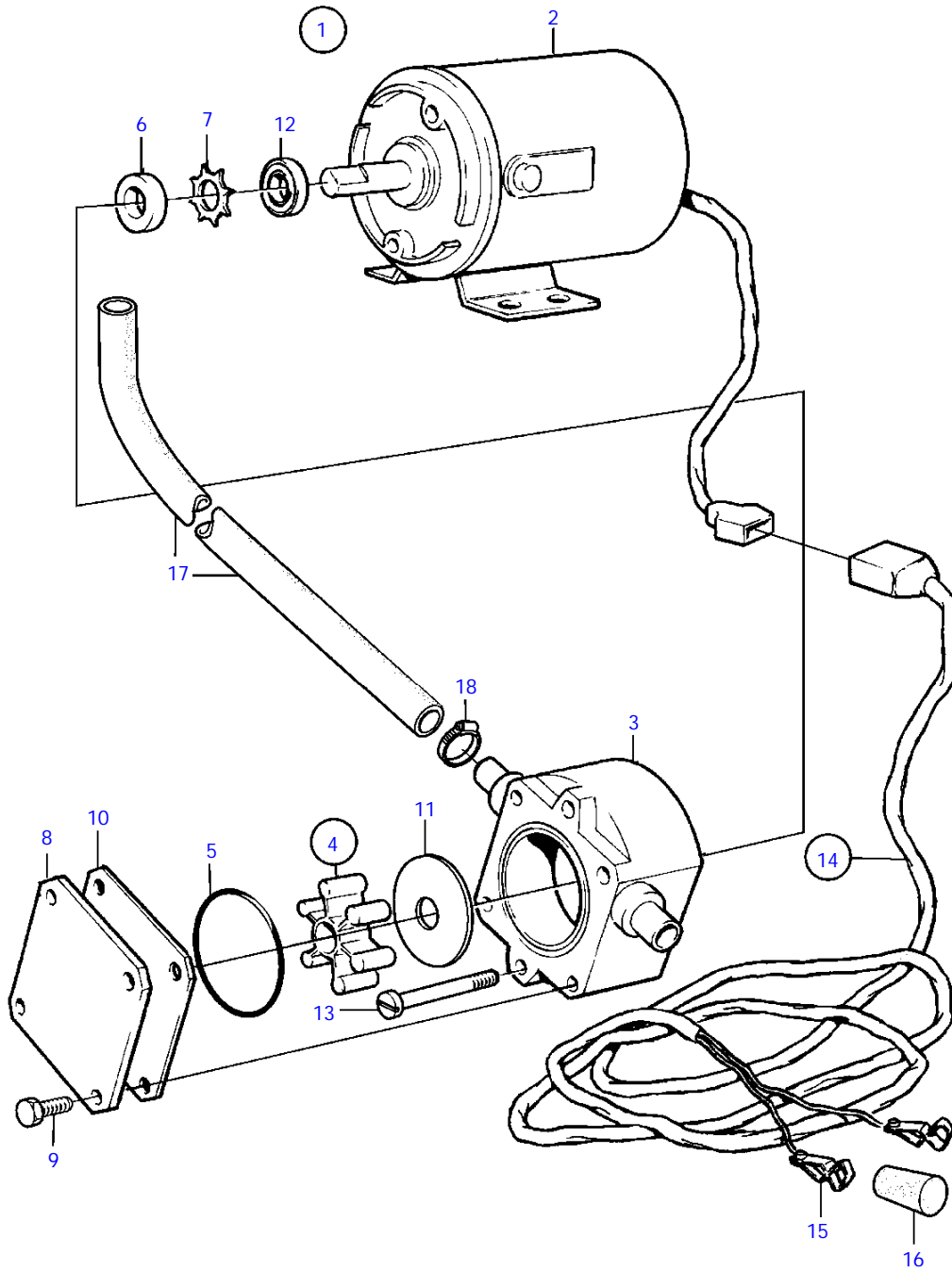


18186

D1-13A, D1-13B, D1-20A, D1-20B, D1-30A, D1-30B, D2-40A, D2-40B, D1-13F, D1-20F, D1-30F, D2-40F

REF	PART NO.	QTY	DESCRIPTION	NOTES
1	843114	1	Oil bilge pump	12V
2	842855	1	* Oil bilge pump	
3	(844015)	1	* * Pump housing	Obsolete part
4	844022	1	* * Impeller kit	
5		1	* * O-ring	
6		1	* * Sealing ring	
7		1	* * Lock ring	
8	844018	1	* * Cardboard tube	
9	844021	4	* * Screw	
10	844017	1	* * Wear washer	
11	844016	1	* * Wear washer	
12	844019	1	* * Deflector ring	
13	969518	2	* * 6 point socket screw	(847464)
14	843113	1	* Cable trunk	
15	844280	2	* * Clip	
16		1	* * Isolator	Black
		1	* * Isolator	Red
17	949100	X	* Hose	
18	943471	3	* Hose clamp	

D1-13A, D1-13B, D1-20A, D1-20B, D1-30A, D1-30B, D2-40A, D2-40B, D1-13F, D1-20F, D1-30F, D2-40F

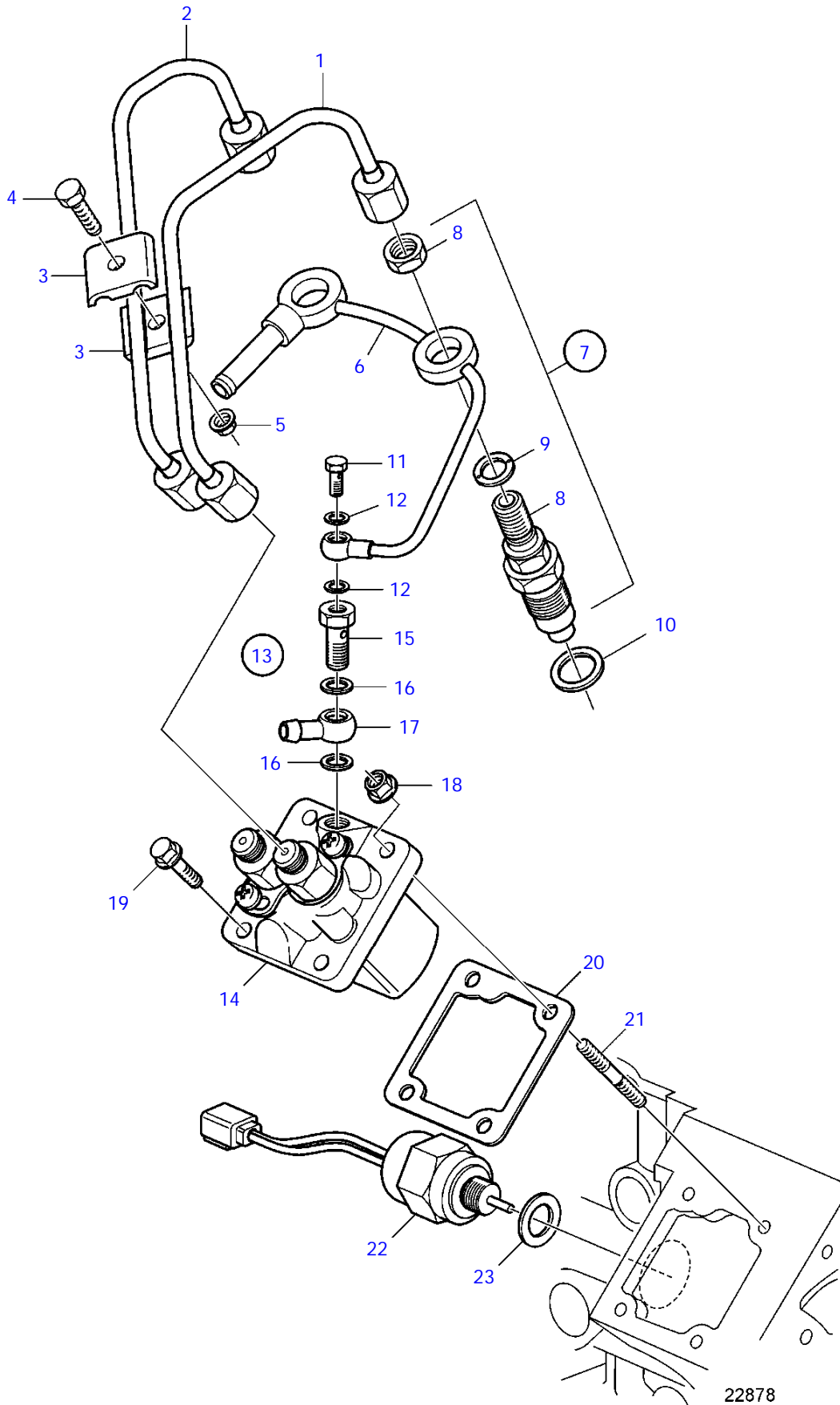


18186

D1-13A, D1-13B, D1-20A, D1-20B, D1-30A, D1-30B, D2-40A, D2-40B, D1-13F, D1-20F, D1-30F, D2-40F

REF	PART NO.	QTY	DESCRIPTION	NOTES
1	843410	1	Oil bilge pump	24V
2	842222	1	* Electrical motor	
3	(844015)	1	* * Pump housing	Obsolete part
4	844022	1	* * Impeller kit	
5		1	* * * O-ring	
6		1	* * * Sealing ring	
7		1	* * * Lock ring	
8	844018	1	* * Cardboard tube	
9	844021	4	* * Screw	
10	844017	1	* * Wear washer	
11	844016	1	* * Wear washer	
12	844019	1	* * Deflector ring	
13	969518	2	* * 6 point socket screw	(847464)
14	843113	1	* Cable trunk	
15	844280	2	* * Clip	
16		1	* * Isolator	Black
		1	* * Isolator	Red
17	949100	X	* Hose	
18	943471	3	* Hose clamp	

D1-13A, D1-13B, D1-13F

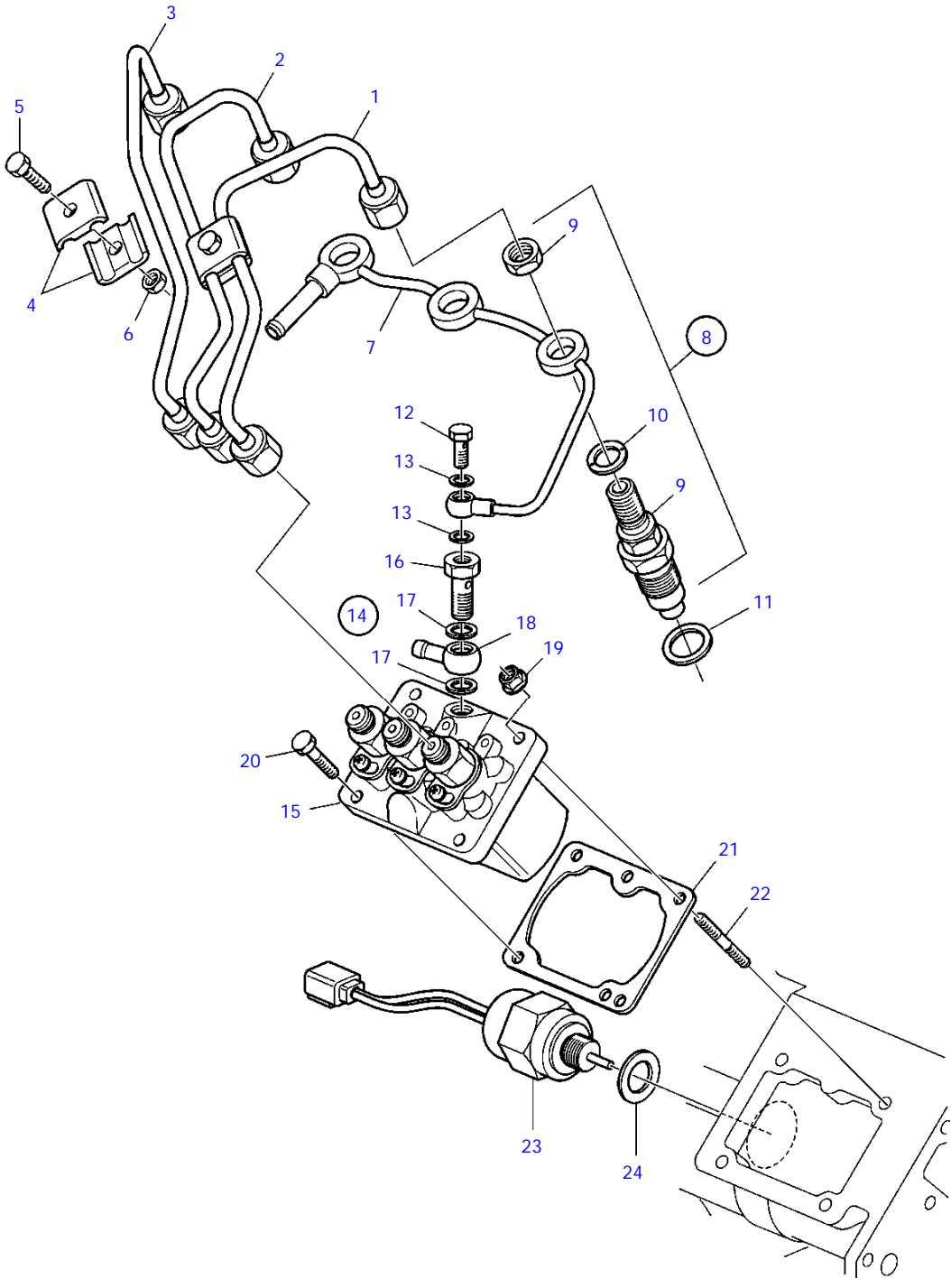


22878

D1-13A, D1-13B, D1-13F

REF	PART NO.	QTY	DESCRIPTION	NOTES
1	3809666	1	Pressure pipe	Cylinder 1
2	3883472	1	Pressure pipe	Cylinder 2
3	3580082	2	Clamp	
4	947542	1	Flange screw	
5	945407	1	Flange nut	
6	3849025	1	Leak-off pipe	
7	3801339	2	Injector	
8		1	* Injector	
9	3580631	1	* Gasket	
10	3580077	2	Gasket	
11	3580094	1	Screw	
12	861841	2	Washer	
13	3803896	1	Injection pump	
14		1	* Injection pump	
15	3580628	1	Hollow screw	
16	11994	2	Gasket	
17	3580627	1	Banjo nipple	
18	945407	2	Flange nut	
19	3580013	2	Screw	
20	3580069	1	Spacer	T=0.20mm
	21189181	1	Shim	TH=0.25mm, D1-13F
	3580070	1	Spacer	TH=0.30mm
	21189182	1	Shim	TH=0.35mm, D1-13F
	3580071	1	Spacer	T=0.40mm
	3580072	1	Spacer	T=0.50mm
21	3840809	2	Stud	D1-13A, D1-13B
	3812420	2	Stud	D1-13F
22	3584127	1	Stop solenoid	
23	3580092	1	Sealing ring	

D1-20A, D1-20B, D1-20F

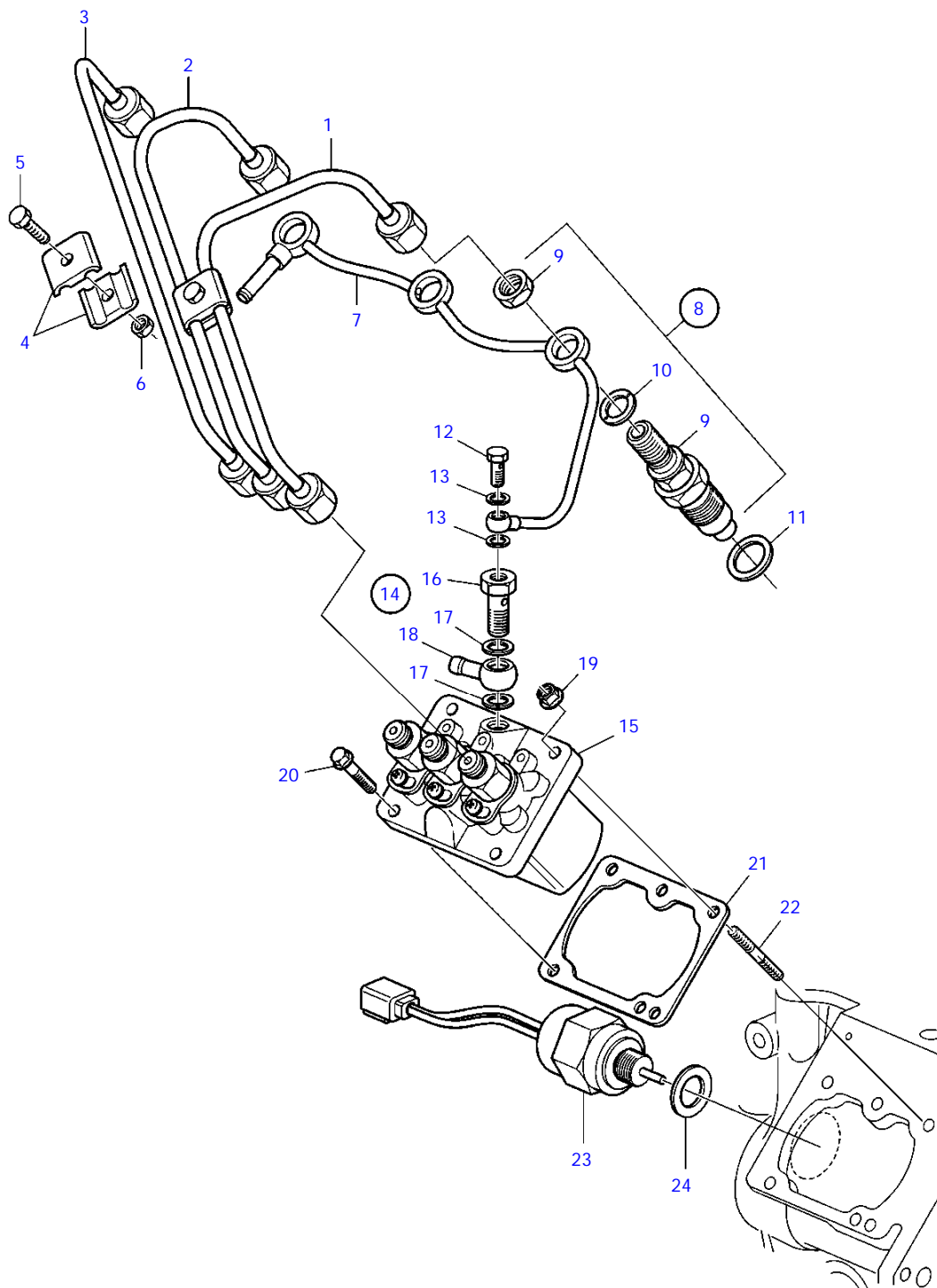


22879

D1-20A, D1-20B, D1-20F

REF	PART NO.	QTY	DESCRIPTION	SEE SEC.	NOTES
1	3809666	1	Pressure pipe		Cylinder 1
2	3812115	1	Delivery pipe		Cylinder 2
3	3812116	1	Delivery pipe		Cylinder 3
4	3580082	4	Clamp		
5	947542	2	Flange screw		
6	945407	2	Flange nut		
7	3849026	1	Leak-off pipe		
8	3801339	3	Injector		
9		1	* Injector		
10	3580631	3	* Gasket		
11	3580077	3	Gasket		
12	3580094	1	Screw		
13	861841	2	Washer		
14	3803899	1	Injection pump		
15		1	* Injection pump		
	3803899	1	* Injection pump, exch		
16	3580628	1	* Hollow screw		
17	11994	2	* Gasket		
18	3580627	1	* Banjo nipple		
19	945407	2	Flange nut		
20	3580013	2	Screw		
21	3887167	1	Shim		T=0.20mm
	21190855	1	Shim		TH=0.25mm, D1-20F
	3887168	1	Shim		T=0.28mm
	21190856	1	Shim		TH=0.35mm, D1-20F
	3887169	1	Shim		TH=0.015"
	3887170	1	Shim		T=0.49mm
	3887171	1	Shim		T=0.90mm
22		1	Stud	8289	D1-20A, D1-20B
		1	Stud	35046	D1-20F
23	3584127	1	Stop solenoid		
24	3580092	1	Sealing ring		

D1-30A, D1-30B, D1-30F

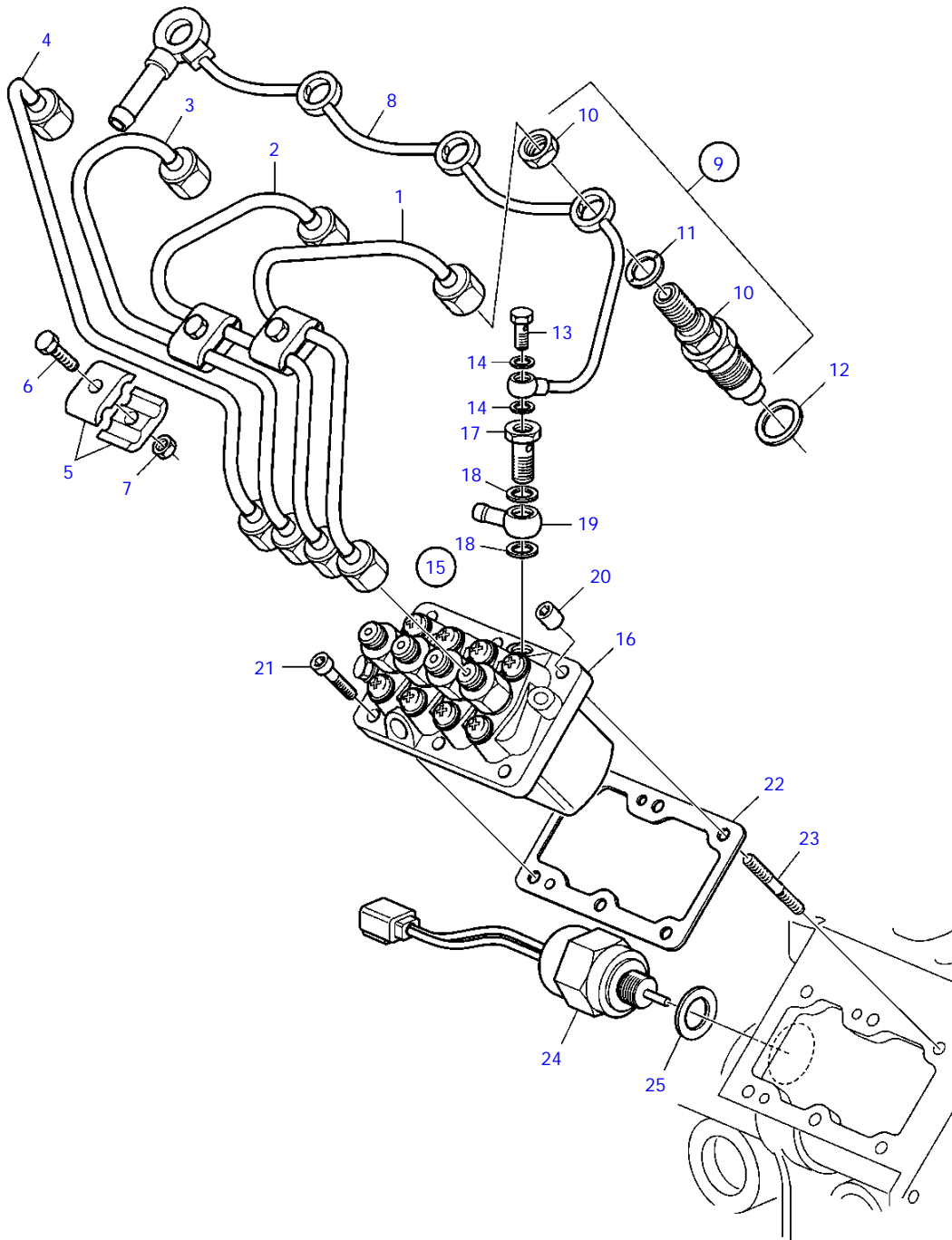


22651

D1-30A, D1-30B, D1-30F

REF	PART NO.	QTY	DESCRIPTION	SEE SEC.	NOTES
1	3812132	1	Delivery pipe		Cylinder 1
2	3812133	1	Delivery pipe		Cylinder 2
3	3812135	1	Delivery pipe		Cylinder 3
4	3580082	4	Clamp		
5	947542	2	Flange screw		
6	945407	2	Flange nut		
7	3812452	1	Leak-off pipe		
8	3803927	3	Injector		
9		1	* Injector		
10	3580631	1	* Gasket		
11	3580077	3	Gasket		
12	3580094	1	Screw		
13	861841	2	Washer		
14	3803900	1	Injection pump, exch		D1-30A, D1-30B
	21192096	1	Injection pump		D1-30F
	3801335	1	Injection pump, exch, exch		D1-30F
15		1	* Injection pump		
16	3580628	1	* Hollow screw		
17	11994	2	* Gasket		
18	3580627	1	* Banjo nipple		
19	945407	2	Flange nut		
20	3580013	2	Screw		
21	3887167	1	Shim		T=0.20mm
	21190855	1	Shim		TH=0.25mm, D1-30F
	3887168	1	Shim		T=0,28mm
	21190856	1	Shim		TH=0.30mm, D1-30F
	3887169	1	Shim		TH=0.015"
	3887170	1	Shim		T=0.49mm
	3887171	1	Shim		T=0.90mm
22		1	Stud	8290	D1-30A, D1-30B
		1	Stud	35092	D1-30F
23	3584127	1	Stop solenoid		
24	3580092	1	Sealing ring		

D2-40A, D2-40B, D2-40F

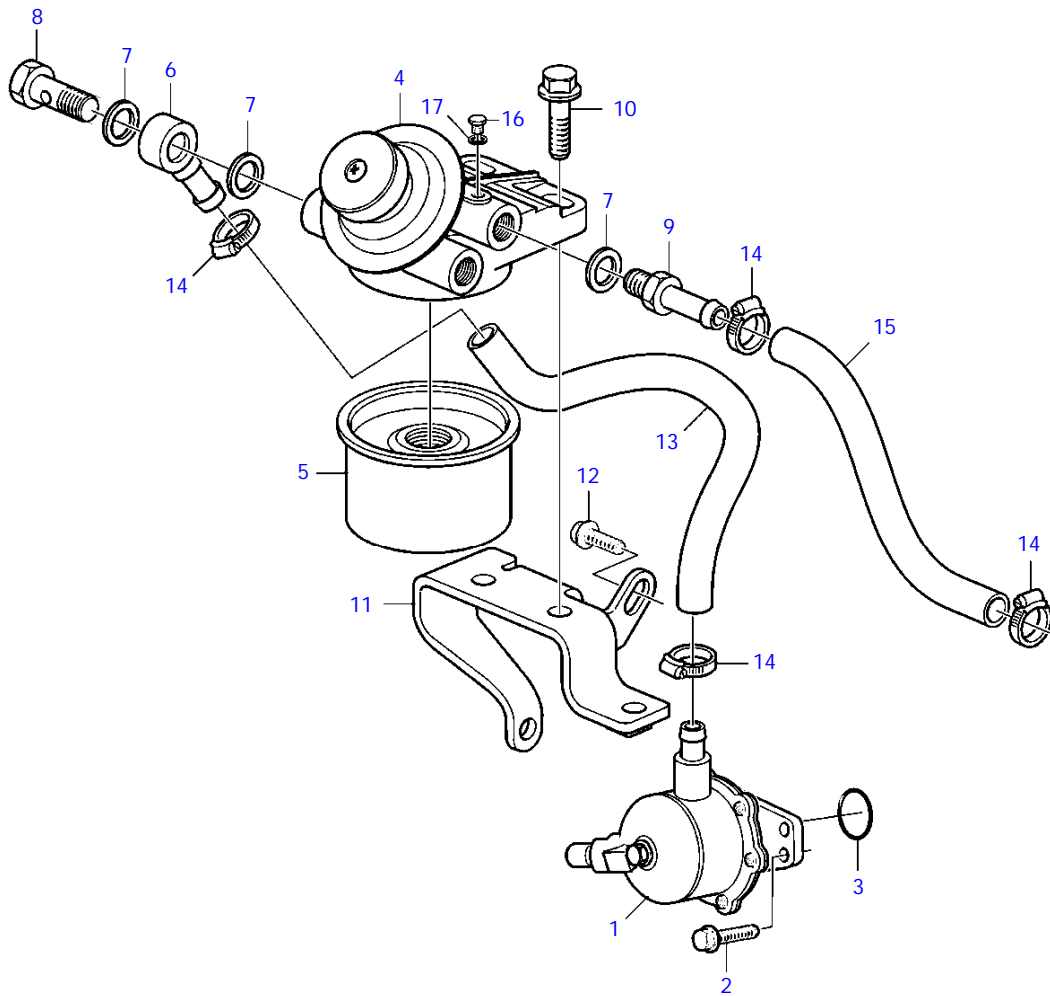


22881

D2-40A, D2-40B, D2-40F

REF	PART NO.	QTY	DESCRIPTION	SEE SEC.	NOTES
1	3812435	1	Delivery pipe		Cylinder 1
2	3812436	1	Delivery pipe		Cylinder 2
3	3812437	1	Delivery pipe		Cylinder 3
4	3812438	1	Delivery pipe		Cylinder 4
5	3886457	6	Clamp		
6	947542	3	Flange screw		
7	945407	3	Flange nut		
8	3812439	1	Leak-off pipe		
9	3803928	4	Injector		
10		1	* Injector		
11	3580631	1	* Gasket		
12	3580077	4	Gasket		
13	3886458	1	Screw		
14	861841	2	Washer		
15	3803901	1	* Injection pump		D2-40A, D2-40B
		1	Injection pump, exch		D2-40F
16		1	* Injection pump		
17	3580628	1	* Hollow screw		
18	11994	2	* Gasket		
19	3580627	1	* Banjo nipple		
20	3886450	3	Nut		D2-40A, D2-40B
	21246409	3	Flange nut		D2-40F
21	3886449	3	Screw		
22	3887460	1	Shim		T=0.20mm
	21193261	1	Shim		TH=0.25mm, D2-40F
	3887461	1	Shim		TH=0.30mm
	21193262	1	Shim		TH=0.35mm, D2-40F
	3887462	1	Shim		T=0.40mm
	3887463	1	Shim		T=0.50mm
	3887464	1	Shim		T=0.50mm
23		1	Stud	8291	D2-40A, D2-40B
		1	Stud	35091	D2-40F
24	3584127	1	Stop solenoid		
25	3580092	1	Sealing ring		

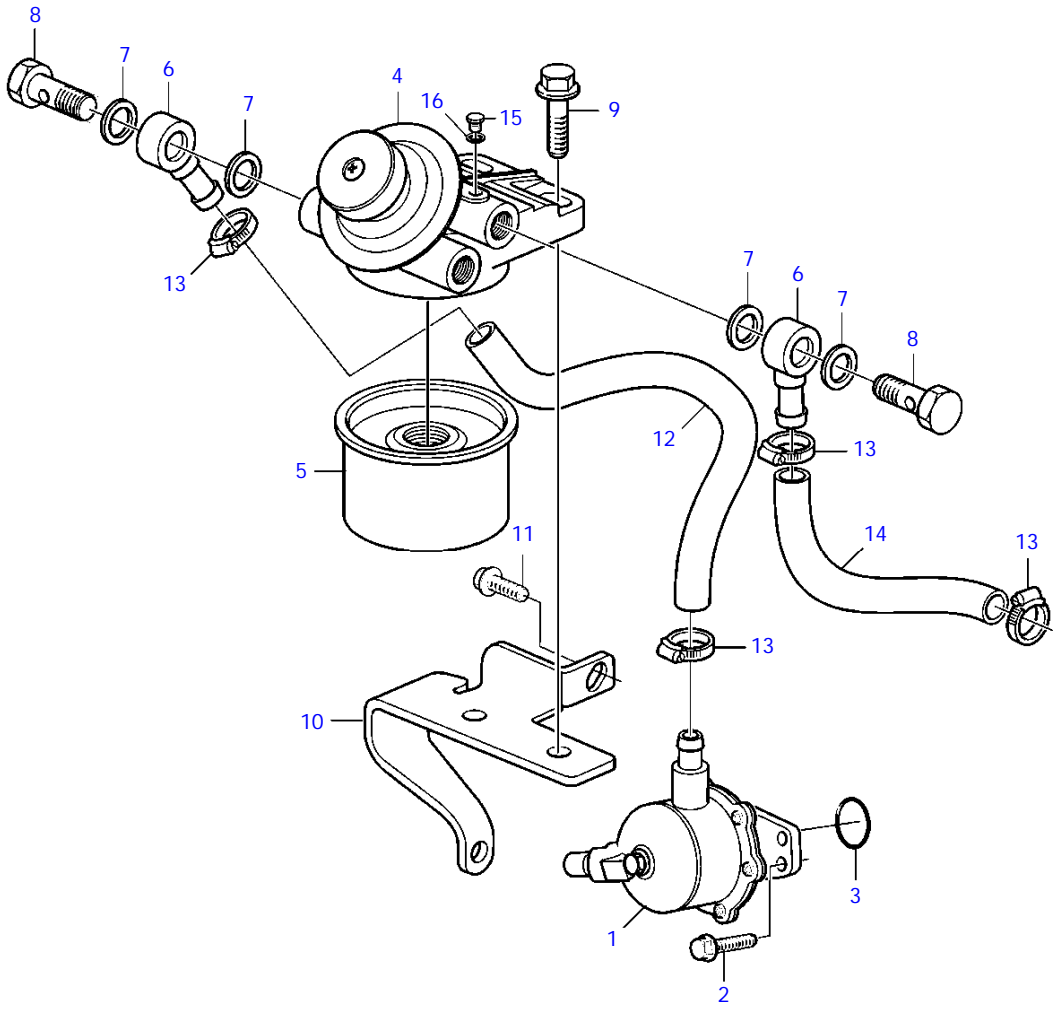
D1-13A, D1-13B



22944

D1-13A, D1-13B

REF	PART NO.	QTY	DESCRIPTION	NOTES
1	3584126	1	Feed pump	Replaced by 21132189
	21132189	1	Feed pump	
2	945358	2	Flange screw	
3	3589332	1	O-ring	
4	3584125	1	Fuel filter	
5	861477	1	Fuel filter	
6	3580101	1	Banjo nipple	
7	969011	3	Gasket	
8	3580098	1	Hollow screw	
9	3809680	1	Nipple	
10	946329	2	Flange screw	
11	3884306	1	Bracket	(3809651)
12	946440	1	Flange screw	
13	3883327	1	Hose	
14	961664	4	Hose clamp	
15	3887568	1	Hose	
16	3589276	1	Air nipple	
17	11991	1	Gasket	

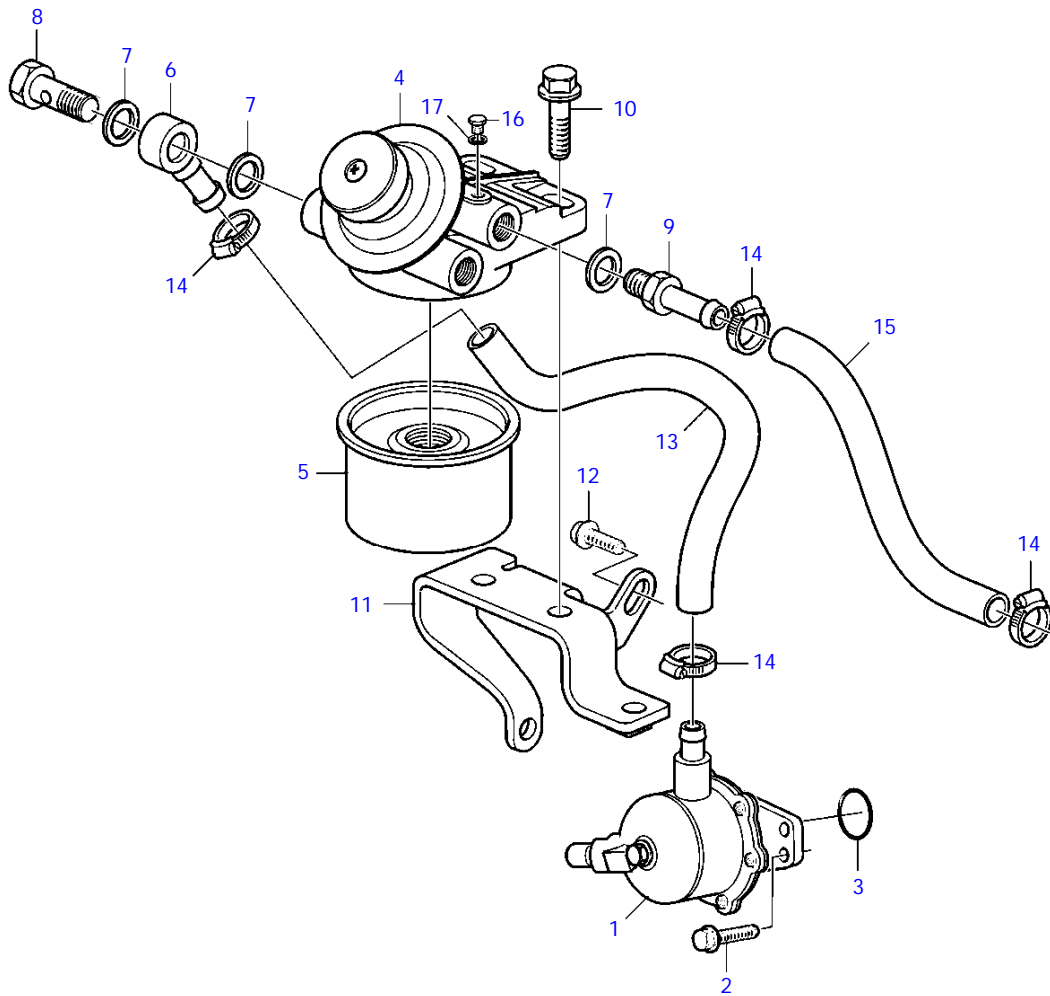


24006

D1-13F

REF	PART NO.	QTY	DESCRIPTION
1	21132189	1	Feed pump
2	945358	2	Flange screw
3	3589332	1	O-ring
4	3584125	1	Fuel filter
5	861477	1	Fuel filter
6	3580101	1	Banjo nipple
7	969011	4	Gasket
8	3886416	2	Banjo nipple
9	946472	2	Flange screw
10	3884306	1	Bracket
11	946440	1	Flange screw
12	3883328	1	Hose
13	961664	4	Hose clamp
14	3887568	1	Hose
15	3589276	1	Air nipple
16	11991	1	Gasket

D1-20A, D1-20B, D1-20F

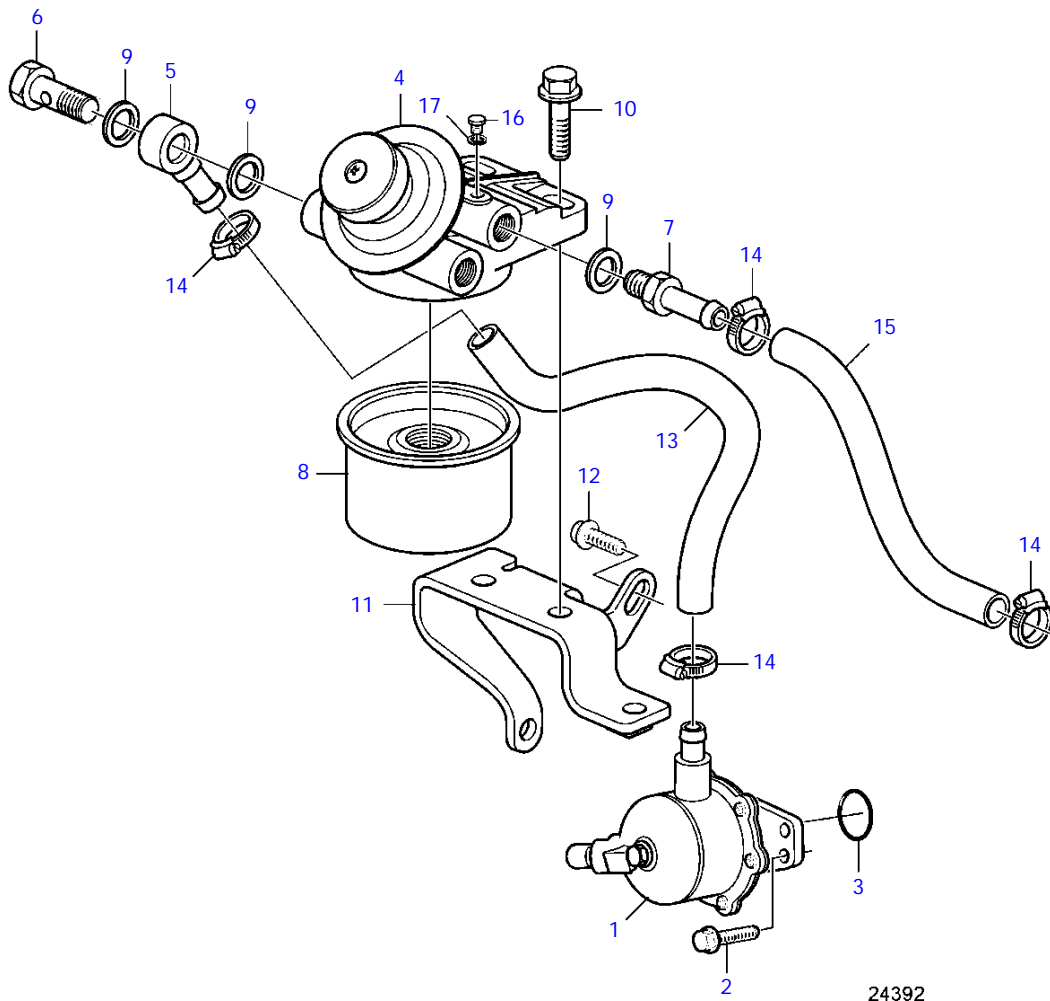


22944

D1-20A, D1-20B, D1-20F

REF	PART NO.	QTY	DESCRIPTION	NOTES
1	3584126	1	Feed pump	Replaced by 21132189
	21132189	1	Feed pump	
2	945358	2	Flange screw	
3	3589332	1	O-ring	
4	3584125	1	Fuel filter	
5	861477	1	Fuel filter	
6	3580101	1	Banjo nipple	D1-20A, D1-20B
	21190843	1	Connector	D1-20F
7	969011	3	Gasket	
8	3580098	1	Hollow screw	D1-20A, D1-20B
	3886416	1	Banjo nipple	D1-20F
9	3809680	1	Nipple	
10	946329	2	Flange screw	
11	3884306	1	Bracket	(3809651)
12	946440	2	Flange screw	
13	3883328	1	Hose	
14	961664	4	Hose clamp	
15	3887197	1	Hose	
16	3589276	1	Air nipple	
17	11991	1	Gasket	

D1-30A, D1-30B, D2-40A, D2-40B, D1-30F, D2-40F

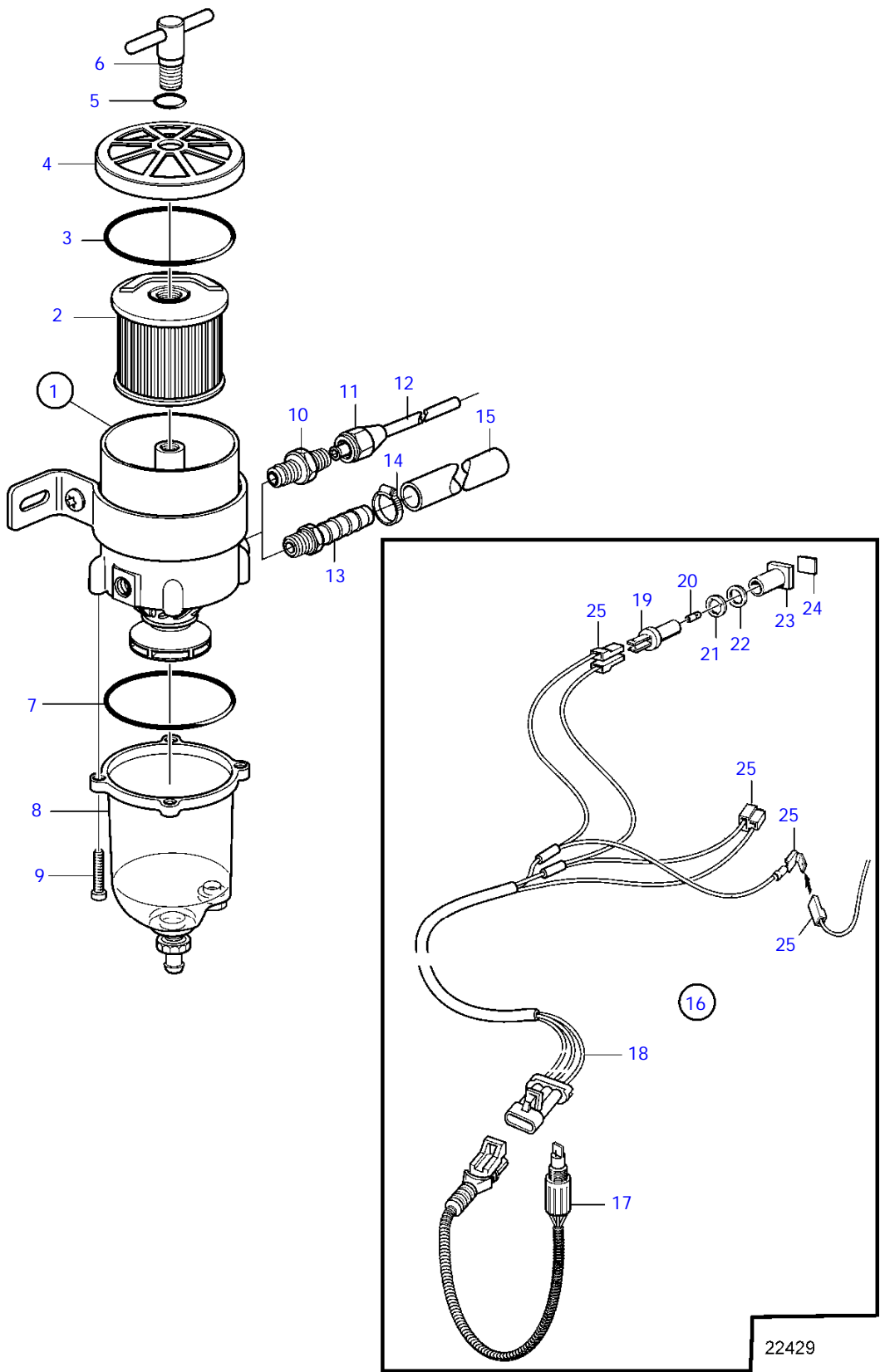


24392

D1-30A, D1-30B, D2-40A, D2-40B, D1-30F, D2-40F

REF	PART NO.	QTY	DESCRIPTION	NOTES
1	3584126	1	Feed pump	Replaced by 21132189
	21132189	1	Feed pump	
2	945358	2	Flange screw	
3	3589332	1	O-ring	
4	3584125	1	Fuel filter	
5	3580101	1	Banjo nipple	
6	3580098	1	Hollow screw	
7	3809680	1	Nipple	
8	861477	1	Fuel filter	
9	969011	3	Gasket	
10	946472	2	Flange screw	
11	3884306	1	Bracket	(3809651)
12	946440	2	Flange screw	
13	3883327	1	Hose	
14	961664	4	Hose clamp	
15	3883328	1	Hose	D1-30
	3887212	1	Hose	D2-40
16	3589276	1	Air nipple	
17	11991	1	Gasket	

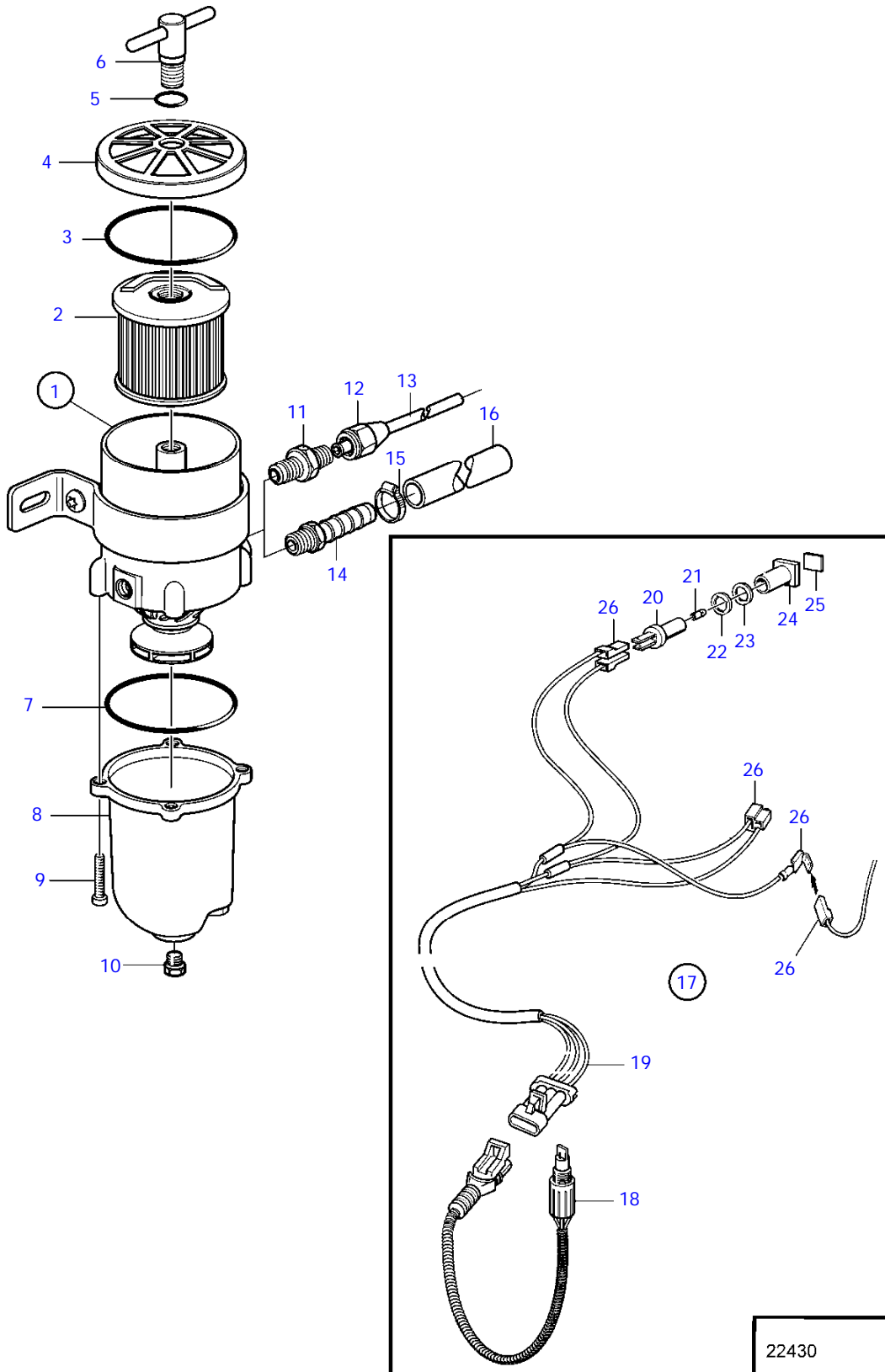
D1-13A, D1-13B, D1-20A, D1-20B, D1-30A, D1-30B, D2-40A, D2-40B, D1-13F, D1-20F, D1-30F, D2-40F



D1-13A, D1-13B, D1-20A, D1-20B, D1-30A, D1-30B, D2-40A, D2-40B, D1-13F, D1-20F, D1-30F, D2-40F

REF	PART NO.	QTY	DESCRIPTION	SEE SEC.	NOTES
1	877762	1	Fuel filter		(861143)
2	1147147	1	* Fuel filter insert		2 mikron
	861014	1	* Insert		10 mikron
	3581760	1	* Insert		30 mikron
3	838504	1	* Gasket		
4		1	* Lock		
5	838505	1	* O-ring		
6		1	* Handle		
7	3838861	1	* Gasket		
8	3838848	1	* Bowl		
9	950024	4	* Cross recessed screw		
10	954337	2	Nipple		
11	954323	2	Fitting nut		
12	1140062	2	Copper tube		
13	3825000	2	Hose nipple		
14	961664	2	Hose clamp		
15	861057	X	Fuel hose		3/8"
			* Bulletin P-23-4-4	P-23-4-4-EN	Fuel Hose P/N 861057
16	1140724	1	Level guard		
17	3588916	1	* Alarm kit		
18	881774	1	* Wiring harness		
19	808175	1	* Lamp socket		
20	19923	1	* Bulb		12V, 2W
	182059	1	* Bulb		24V, 3W
21	967583	1	* Retainer		
22	829714	1	* Sealing ring		
23	838455	1	* Retainer		
24	872591	1	* Symbol strip		
25		X	* cables and terminals	1963	

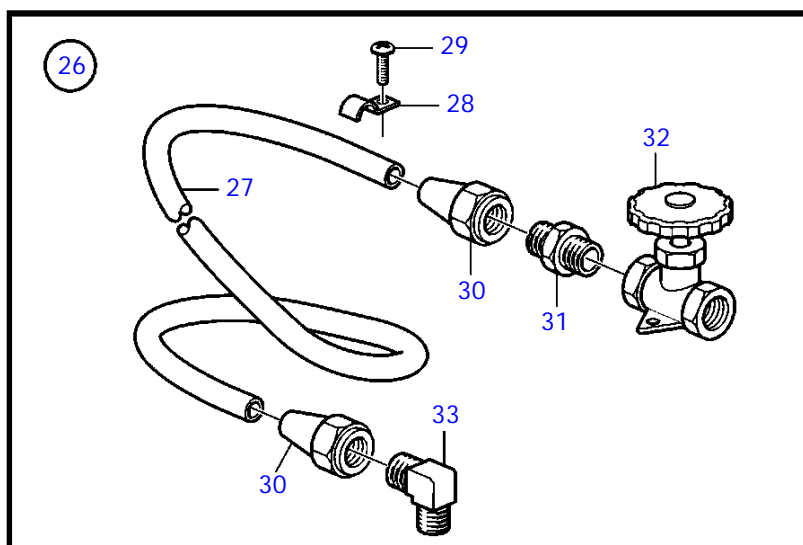
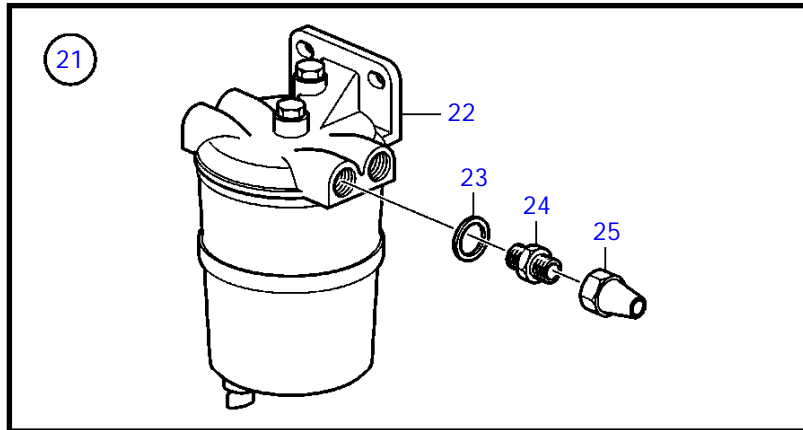
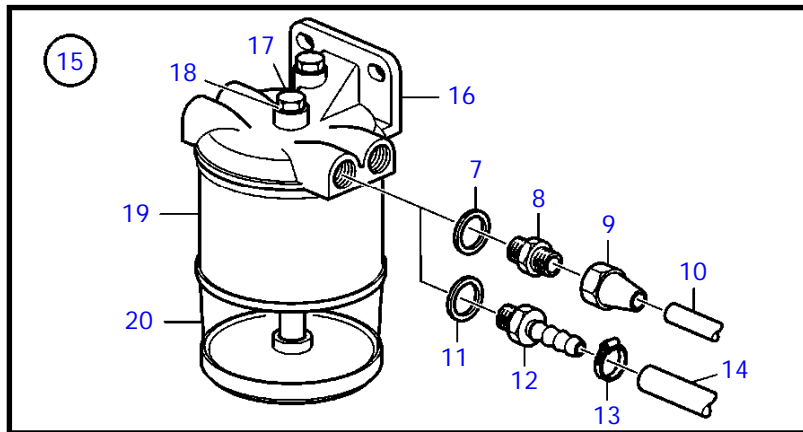
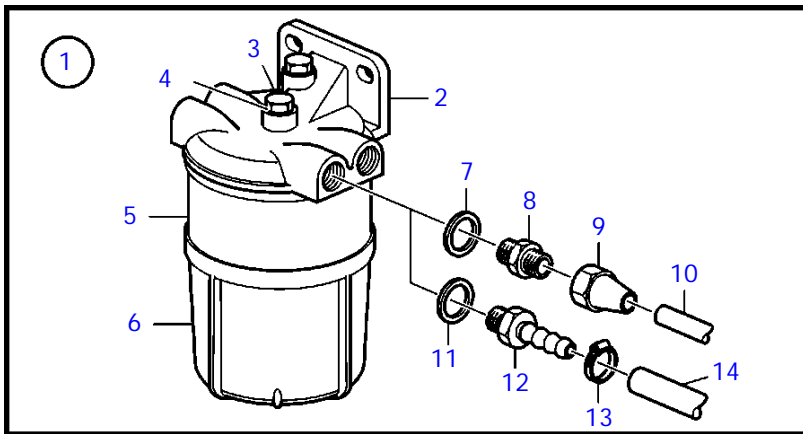
D1-13A, D1-13B, D1-20A, D1-20B, D1-30A, D1-30B, D2-40A, D2-40B, D1-13F, D1-20F, D1-30F, D2-40F



D1-13A, D1-13B, D1-20A, D1-20B, D1-30A, D1-30B, D2-40A, D2-40B, D1-13F, D1-20F, D1-30F, D2-40F

REF	PART NO.	QTY	DESCRIPTION	SEE SEC.	NOTES
1	877763	1	Fuel filter		
2	1147147	1	* Fuel filter insert		2 mikron
	861014	1	* Insert		10 mikron
	3581760	1	* Insert		30 mikron
3	838504	1	* Gasket		
4		1	* Lock		
5	838505	1	* O-ring		
6		1	* Handle		
7	3838861	1	* Gasket		
8	3838849	1	* Bowl		
9	950024	4	* Cross recessed screw		
10	952075	1	* Plug		
11	954337	2	Nipple		
12	954323	2	Fitting nut		
13	1140062	2	Copper tube		
14	3825000	2	Hose nipple		
15	961664	2	Hose clamp		
16	861057	X	Fuel hose		3/8"
			* Bulletin P-23-4-4	P-23-4-4-EN	Fuel Hose P/N 861057
17	1140724	1	Level guard		
18	3588916	1	* Alarm kit		
19	881774	1	* Wiring harness		
20	808175	1	* Lamp socket		
21	19923	1	* Bulb		12V, 2W
	182059	1	* Bulb		24V, 3W
22	967583	1	* Retainer		
23	829714	1	* Sealing ring		
24	838455	1	* Retainer		
25	872591	1	* Symbol strip		
26		X	* cables and terminals	1963	

D1-13A, D1-13B, D1-20A, D1-20B, D1-30A, D1-30B, D2-40A, D2-40B, D1-13F, D1-20F, D1-30F, D2-40F

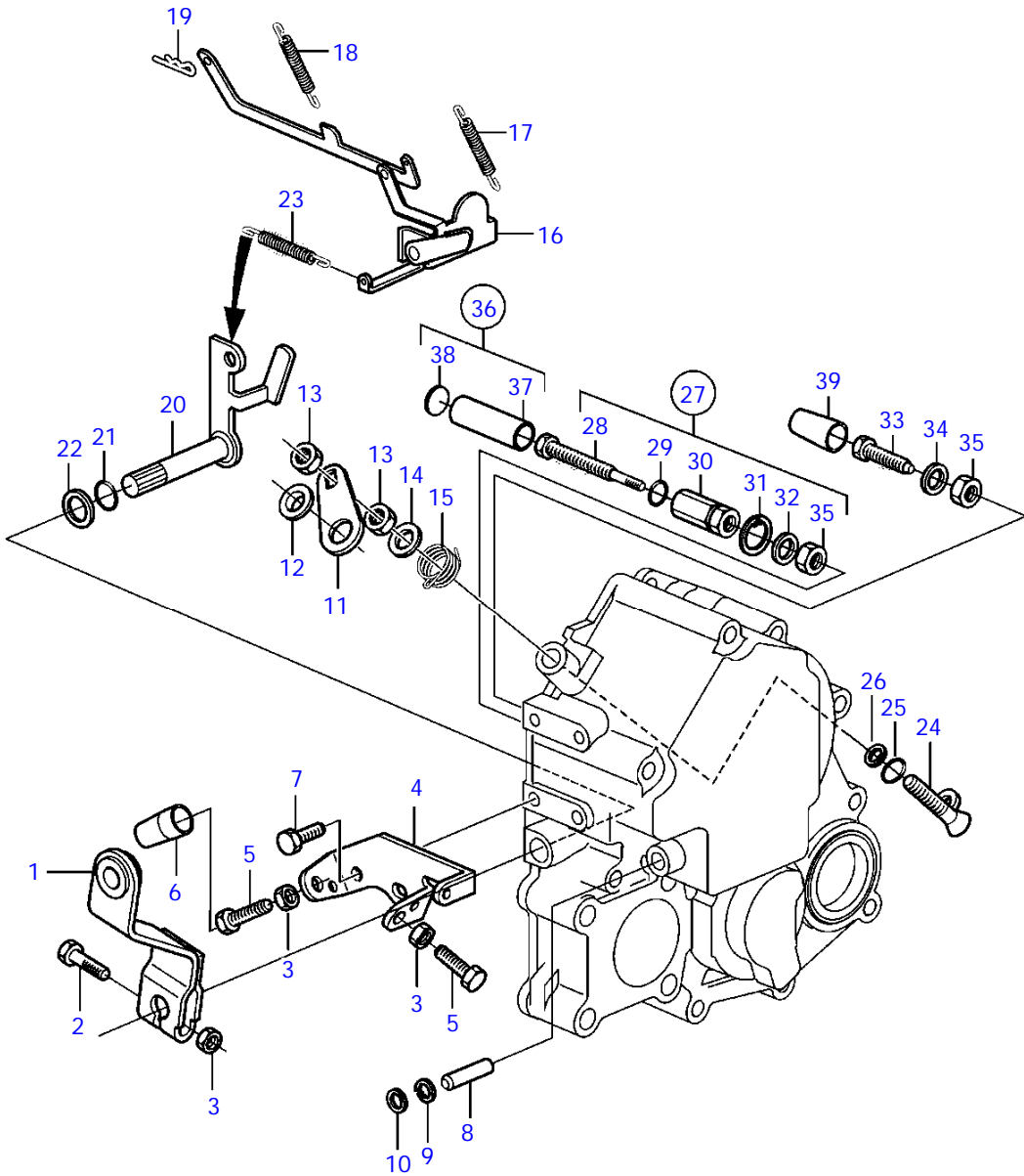


22464

D1-13A, D1-13B, D1-20A, D1-20B, D1-30A, D1-30B, D2-40A, D2-40B, D1-13F, D1-20F, D1-30F, D2-40F

REF	PART NO.	QTY	DESCRIPTION	SEE SEC.	NOTES
1	877766	1	Fuel filter		Fuel filter and water separator., Metal
2		1	* Fuel filter		
		2	* Bulletin 50-11A	50-11A-EN	Fuel Filters / Water Separators
3	940113	1	* * Hexagon screw		
4	11992	1	* * Gasket		
5	3581078	1	* * Filter insert		
6	3582499	1	* * Bowl		
7	18817	2	Gasket		
8	190962	2	Nipple		5/16"
	954337	2	Nipple		3/8"
9	954322	2	Fitting nut		5/16"
	954323	2	Fitting nut		3/8"
10	954305	X	Tube		Water separator., 5/16"
			* Bulletin P-23-4-3	P-23-4-3-EN	Fuel Line 5/16", Copper Pipe
10	1140062	X	Copper tube		Water separator., 3/8"
11	957177	2	Gasket		
12	3825000	2	Hose nipple		
13	961664	2	Hose clamp		
14	861057	X	Fuel hose		3/8"
			* Bulletin P-23-4-4	P-23-4-4-EN	Fuel Hose P/N 861057
15	877767	1	Fuel filter		Plastic
16		1	* Fuel filter		
17	940113	1	* * Hexagon screw		
18	11992	1	* * Gasket		
19	3581078	1	* * Filter insert		
20	3581189	1	* * Bowl		
21	833972	1	Water separator		
22	833971	1	* Water separator		
23	957177	2	* Gasket		
24	191397	2	* Nipple		5/16"
	941438	2	* Nipple		3/8"
25	954322	2	* Fitting nut		5/16"
	954323	2	* Fitting nut		3/8"
26	827912	1	Fuel pipe		5/16"
			* Bulletin P-23-4-3	P-23-4-3-EN	Fuel Line 5/16", Copper Pipe
27	954305	1	Tube		5/16", L=5000mm
			* Bulletin P-23-4-3	P-23-4-3-EN	Fuel Line 5/16", Copper Pipe
28	951189	15	* Clamp		
29	968476	15	* Flange screw		
30	954322	3	* Fitting nut		5/16"
31	954336	2	* Nipple		5/16"
32	3581708	1	* Faucet		
33	954343	1	* Elbow nipple		

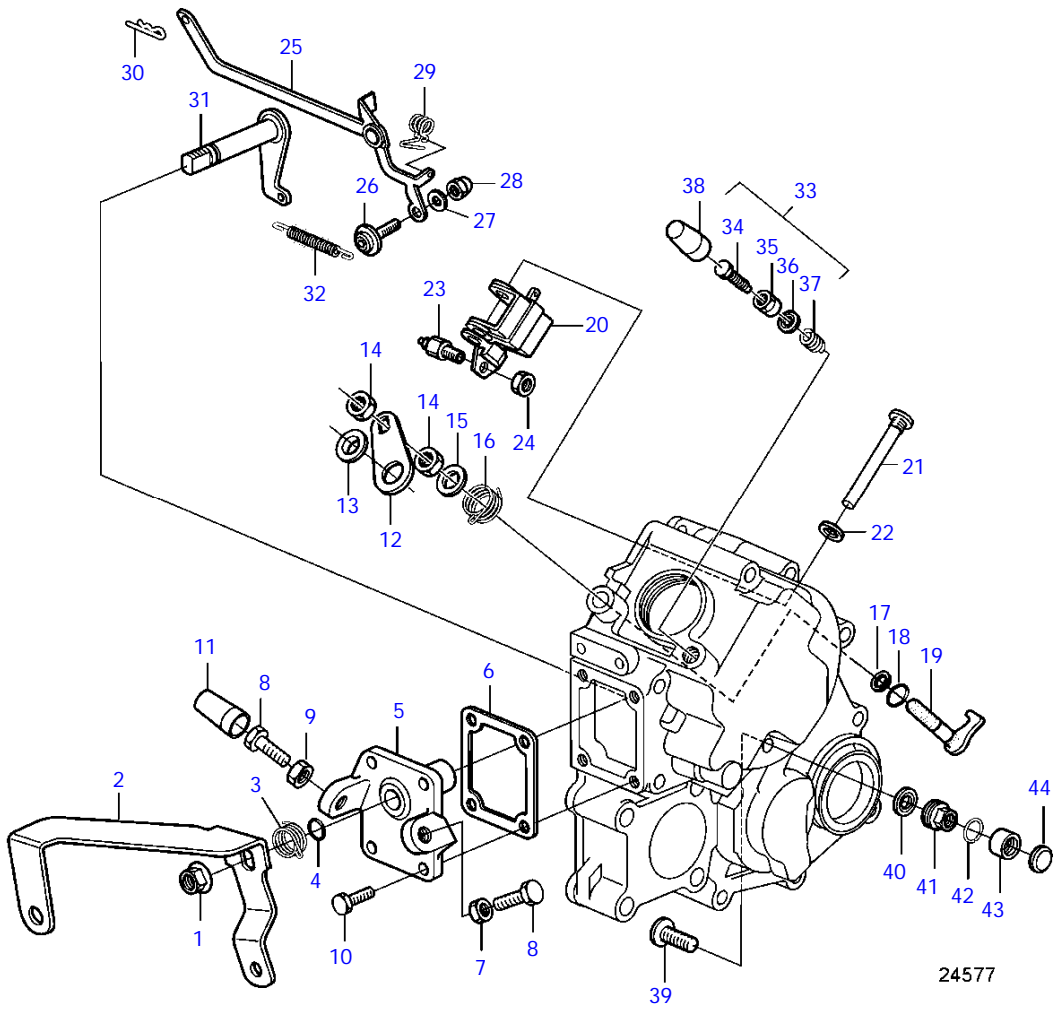
D1-13A, D1-13B



22647

D1-13A, D1-13B

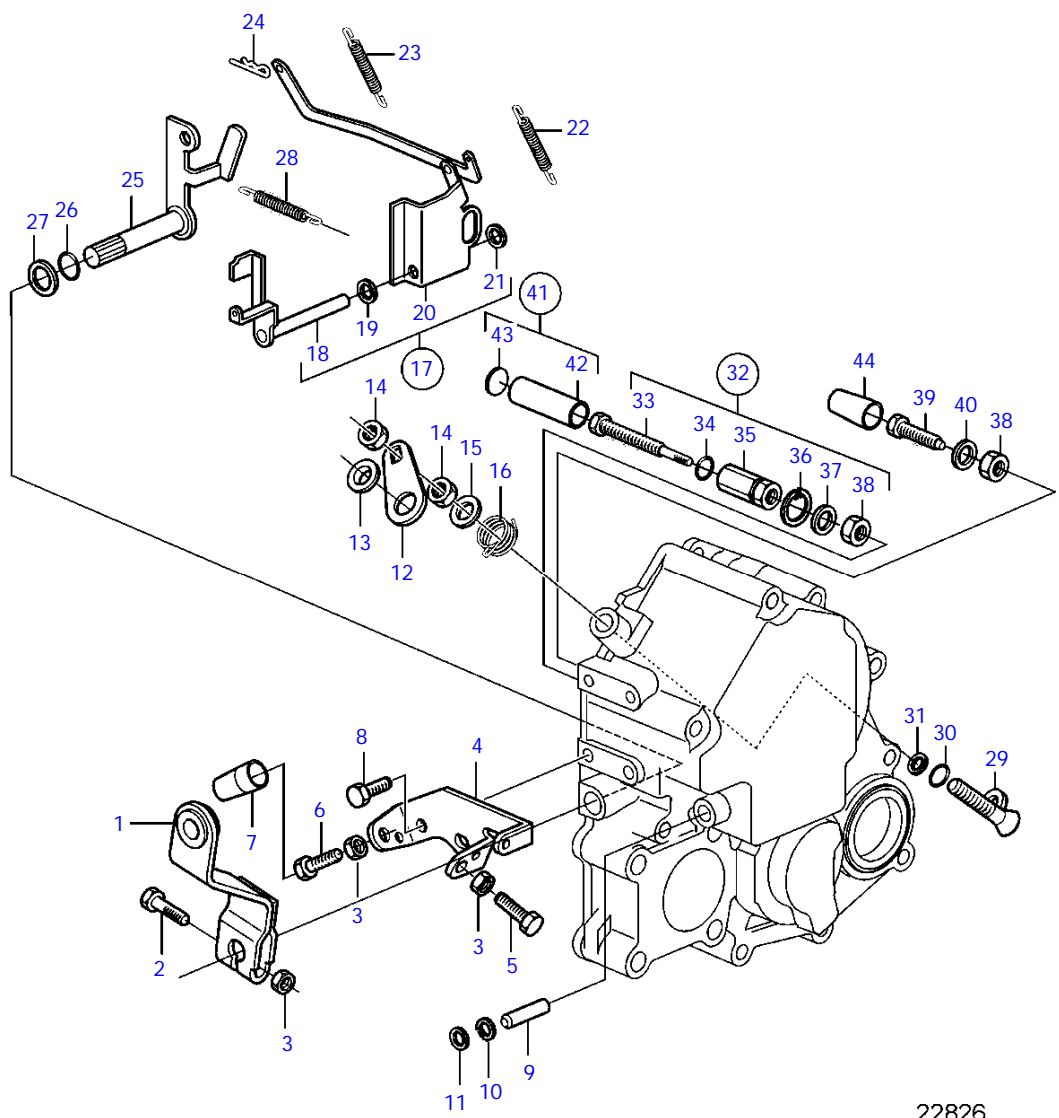
REF	PART NO.	QTY	DESCRIPTION
1	3580036	1	Intermediate lever
2	955275	1	Hexagon screw
3	945407	3	Flange nut
4	3580042	1	Stay
5	955274	2	Hexagon screw
6	3583761	1	Cardboard tube
7	3580581	1	Screw
8	3809019	1	Shaft
9	3886396	1	O-ring
10	3580041	1	Lock ring
11	3580051	1	Intermediate lever
12	843109	1	Bushing
13	955782	2	Hexagon nut
14	191172	1	Washer
15	3580048	1	Spring
16	3580027	1	Intermediate lever
17	3580057	1	Spring
18	3580058	1	Spring
19	3580032	1	Locking pin
20	3580034	1	Arm
21	3886395	1	O-ring
22	3580030	1	Lock ring
23	3819063	1	Spring
24	3580045	1	Arm
25	3580046	1	Lock ring
26	3886397	1	O-ring
27		1	Screw
28	3886399	1	* Screw
29	3583772	1	* O-ring
30		1	* Nut
31		1	* Lock ring
32	3580087	1	* Sealing ring
33	3583778	1	Screw
34	3580087	1	Sealing ring
35	3583779	1	Nut
36	3584083	1	Sleeve
37		1	* Sleeve
38		1	* Cap
39	3583761	1	Cardboard tube



D1-13F

REF	PART NO.	QTY	DESCRIPTION	NOTES
1	21246409	1	Flange nut	
2			Lever	
3	21189685	1	Return spring	
4	3580035	1	O-ring	
5	21187772	1	Bracket	
6	21189675	1	Gasket	
7	945407	1	Flange nut	
8	3887085	2	Screw	
9	21246397	1	Nut	
10	21246651	4	Hexagon screw	
11	3583761	1	Cardboard tube	
12	21192501	1	Intermediate lever	
13	843109	1	Bushing	
14	955782	2	Hexagon nut	
15	21246676	1	Washer	
16	3580048	1	Spring	
17	3580046	1	Lock ring	
18	3886397	1	O-ring	
19	21225495	1	Arm	
20	21187328	1	Governor	
21	21187733	1	Shaft	
22	11992	1	Gasket	
23		1		
24		1	Hexagon nut	
25	21187763	1	Intermediate lever	
26	21187723	1	Shaft	
27	11992	1	Gasket	
28	21246490	1	Cap nut	
29	21189686	1	Spring	
30	3580032	1	Locking pin	
31	21187738	1	Arm	
32	21189687	1	Main spring	
33	21189171	1	Adjusting screw	
34		1	* Settling bolt	
35	3583779	1	* Nut	
36	3580087	1	* Sealing ring	
37		1	* Spring	
38	3884537	1	Cardboard tube	
39	21189185	1	Settling bolt	
40	11991	1	Gasket	
41	21246369	1	Nut	
42	21246336	1	Lock ring	
43	21189044	1	Body	Replaced by 21275201
	21275201	1	Body	
44				

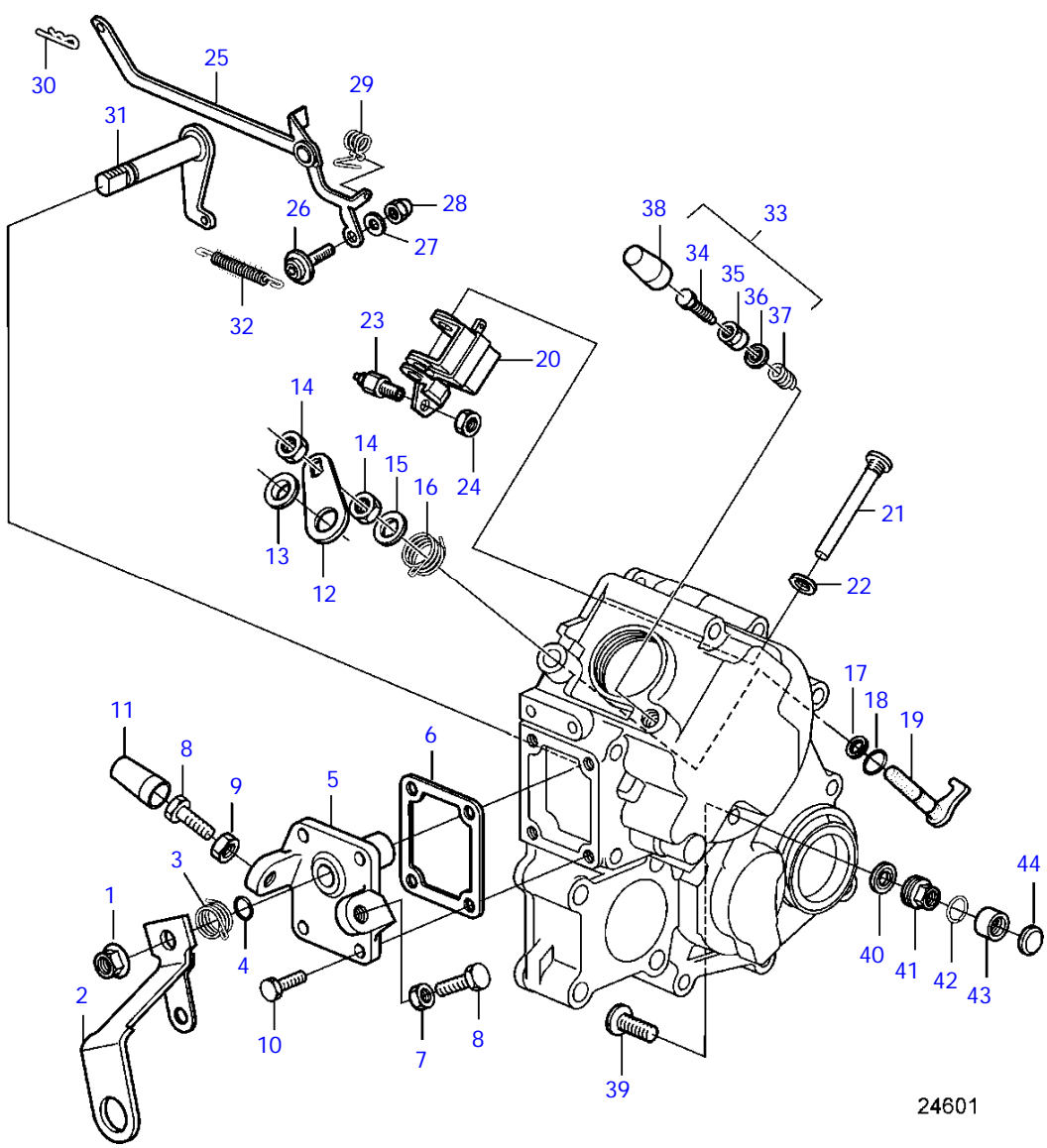
D1-20A, D1-20B



22826

D1-20A, D1-20B

REF	PART NO.	QTY	DESCRIPTION
1	3580036	1	Intermediate lever
2	955275	1	* Hexagon screw
3	945407	3	Flange nut
4	3580042	1	Stay
5	3887085	1	Screw
6	955274	1	Hexagon screw
7	3583761	1	Cardboard tube
8	3580581	1	Screw
9	3809019	1	Shaft
10	3886396	1	O-ring
11	3580041	1	Lock ring
12	3580051	1	Intermediate lever
13	843109	1	Bushing
14	955782	2	Hexagon nut
15	191172	1	Washer
16	3580048	1	Spring
17	3580261	1	Intermediate lever
18		1	* Lever
19	3580031	1	* Washer
20		1	* Lever
21	3580030	1	* Lock ring
22	3580058	1	Spring
23	3580057	1	Spring
24	3580032	1	Locking pin
25	3580034	1	Arm
26	3886395	1	O-ring
27	3580030	1	* Lock ring
28	3887084	1	* Spring
29	3580045	1	* Arm
30	3580046	1	Lock ring
31	3886397	1	O-ring
32		1	Screw
33	3886399	1	* Screw
34	3583772	1	* O-ring
35		1	* Nut
36		1	* Lock ring
37	3580087	1	* Sealing ring
38	3583778	1	Screw
39	3580087	1	Sealing ring
40	3583779	1	Nut
41	3584083	1	Sleeve
42		1	* Sleeve
43		1	* Cap
44	3884537	1	Cardboard tube



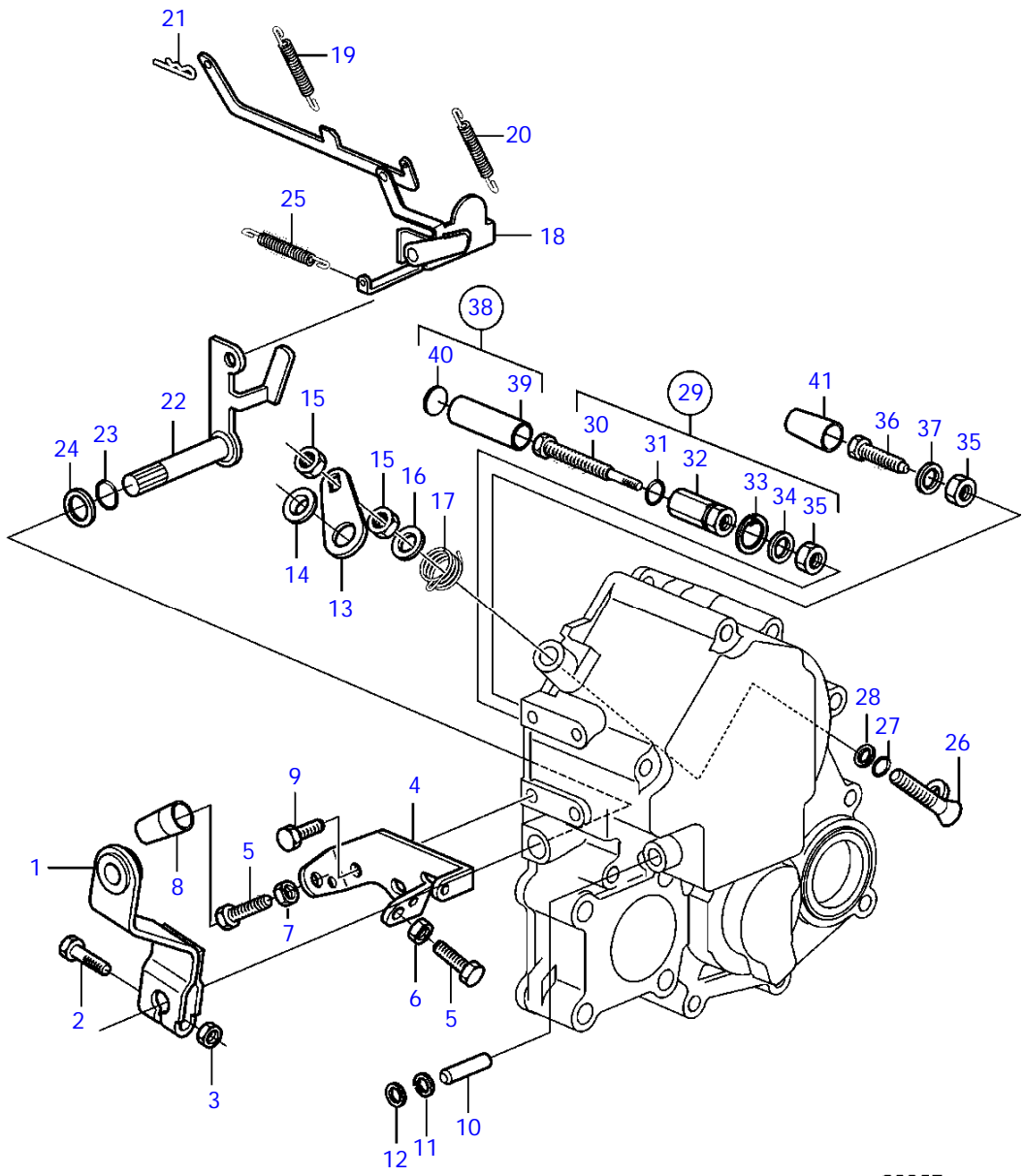
24601



D1-20F

REF	PART NO.	QTY	DESCRIPTION	NOTES
1	21246409	1	Flange nut	
2	21187771	1	Intermediate lever	
3	21189685	1	Return spring	
4	3580035	1	O-ring	
5	21187772	1	Bracket	
6	21189675	1	Gasket	
7	945407	1	Flange nut	
8	3887085	2	Screw	
9	21246397	1	Nut	
10	21246651	4	Hexagon screw	
11	3840969	1	Cardboard tube	
12	21192501	1	Intermediate lever	
13	843109	1	Bushing	
14	955782	2	Hexagon nut	
15	21246676	1	Washer	
16	3580048	1	Spring	
17	3886397	1	O-ring	
18	3580046	1	Lock ring	
19	21225495	1	Arm	
20	21187328	1	Governor	
21	21187733	1	Shaft	
22	11992	1	Gasket	
23				
24		1	Hexagon nut	
25	21263359	1	Intermediate lever	
26	21187723	1	Shaft	
27	11992	1	Gasket	
28	21246490	1	Cap nut	
29	21189686	1	Spring	
30	3580032	1	Locking pin	
31	21187738	1	Arm	
32	21189687	1	Main spring	
33	21189171	1	Adjusting screw	
34		1	* Settling bolt	
35	3583779	1	* Nut	
36	3580087	1	* Sealing ring	
37		1	* Spring	
38	3884537	1	Cardboard tube	
39	21189185	1	Settling bolt	
40	11991	1	Gasket	
41	21246369	1	Nut	
42	21246336	1	Lock ring	
43	21189044	1	Body	Replaced by 21275201
	21275201	1	Body	
44				

D1-30A, D1-30B



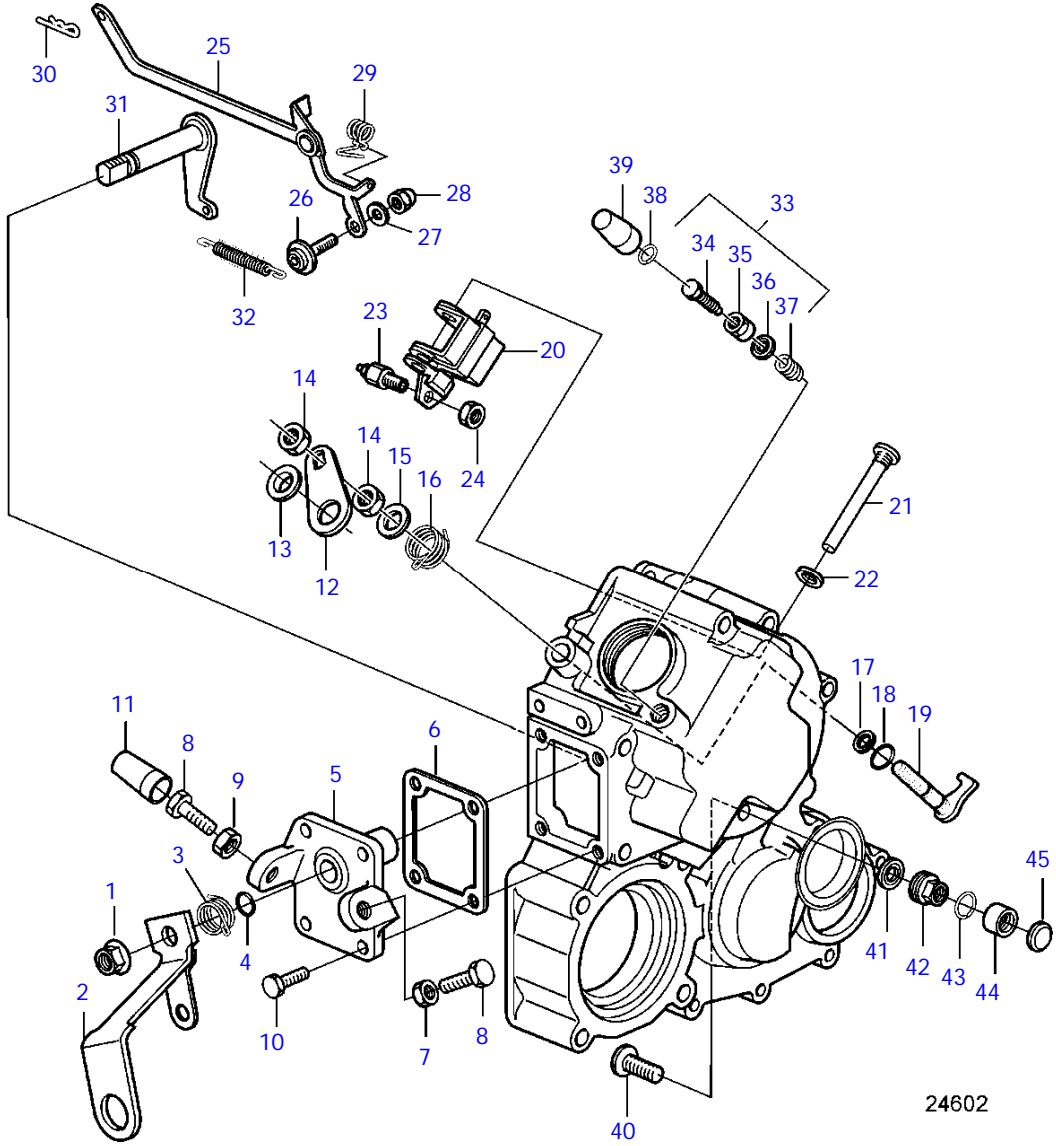
22857



D1-30A, D1-30B

REF	PART NO.	QTY	DESCRIPTION
1	3580036	1	Intermediate lever
2	955275	1	* Hexagon screw
3	945407	1	Flange nut
4	3580042	1	Stay
5	3583762	2	Screw
6	955781	1	Hexagon nut
7	3583763	1	Nut
8	3583761	1	Cardboard tube
9	3884535	1	Screw
10	3809019	1	Shaft
11	3580041	1	Lock ring
12	3580040	2	O-ring
13	3580051	1	Intermediate lever
14	843109	2	Bushing
15	955782	2	Hexagon nut
16	191172	1	Washer
17	3580048	1	Spring
18	3580375	1	Intermediate lever
19	3580058	1	Spring
20	3580735	1	Spring
21	3580032	1	Locking pin
22	3580034	1	Arm
23	3580035	1	O-ring
24	3580030	1	Lock ring
25	3884534	1	Tension spring
26	3580045	1	Arm
27	3580046	1	Lock ring
28	3580047	1	O-ring
29	3583770	1	Screw
30		1	* Screw
31	3583772	1	* O-ring
32		1	* Nut
33		1	* Lock ring
34	3580087	1	* Sealing ring
35	3583779	2	Nut
36	3583778	1	Screw
37	3580087	1	Sealing ring
38	3584083	1	Sleeve
39		1	* Sleeve
40		1	* Cap
41	3884537	1	Cardboard tube

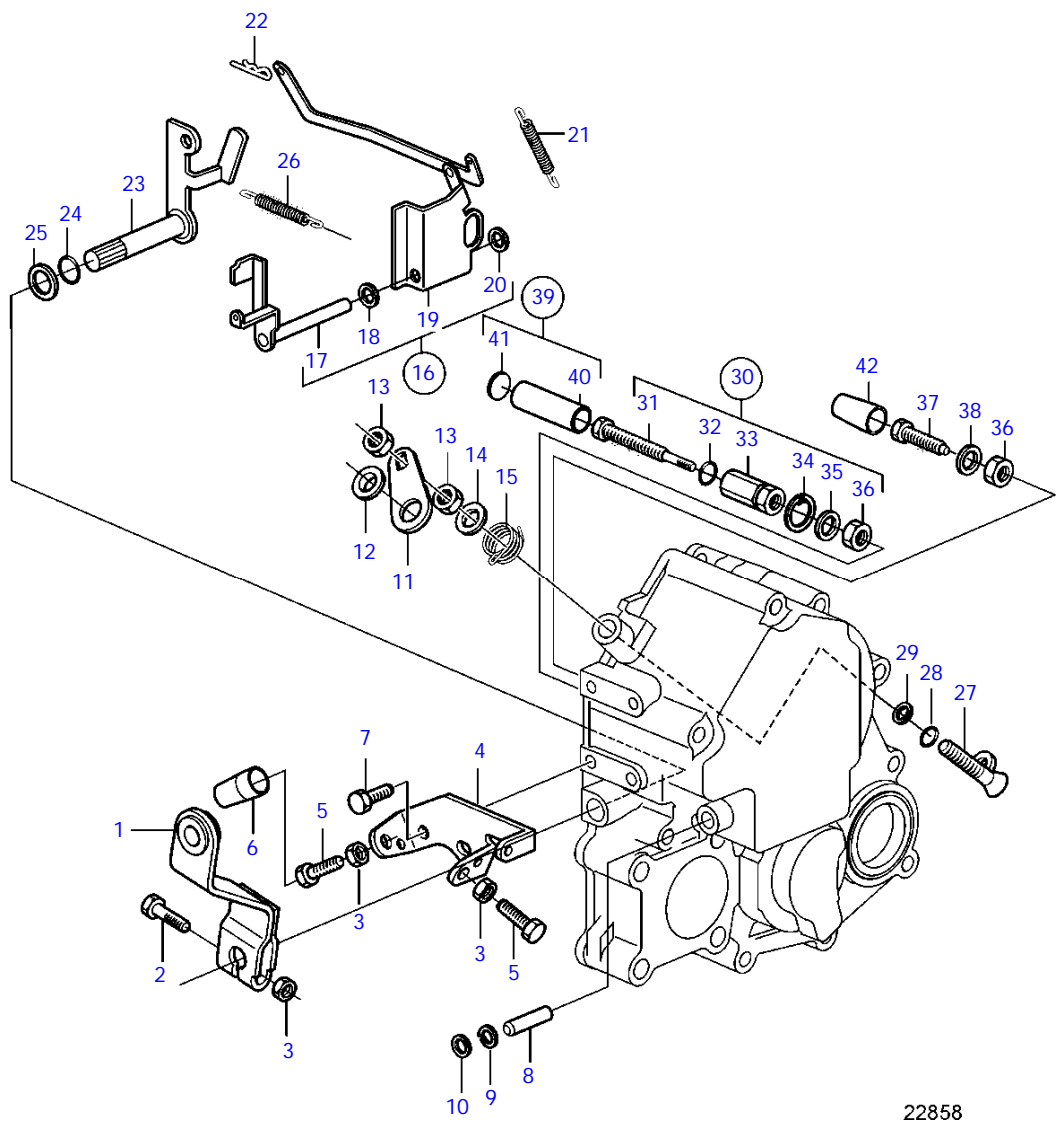
D1-30F



D1-30F

REF	PART NO.	QTY	DESCRIPTION	NOTES
1	21246409	1	Flange nut	
2	21187771	1	Intermediate lever	
3	21189685	1	Return spring	
4	3580035	1	O-ring	
5	21187772	1	Bracket	
6	21189675	1	Gasket	
7	955781	1	Hexagon nut	
8	3583762	2	Screw	
9	3583763	1	Nut	
10	21246651	4	Hexagon screw	
11	3583761	1	Cardboard tube	
12	21192501	1	Intermediate lever	
13	843109	1	Bushing	
14	955782	2	Hexagon nut	
15	21246676	1	Washer	
16	3580048	1	Spring	
17	3580047	1	O-ring	
18	3580046	1	Lock ring	
19	21225495	1	Arm	
20	21187328	1	Governor	
21	21187733	1	Shaft	
22	11992	1	Gasket	
23				
24		1	Hexagon nut	
25	21192642	1	Intermediate lever	Replaced by 21301176
	21301176	1	Intermediate lever	
26	21187723	1	Shaft	
27	11991	1	Gasket	
28	21246490	1	Cap nut	
29	21189686	1	Spring	
30	3580032	1	Locking pin	
31	21187738	1	Arm	
32	21193276	1	Main spring	
33	21191838	1	Adjusting screw	
34		1	* Setting bolt	
35	3583779	1	* Nut	
36	3580087	1	* Sealing ring	
37	(21191839)	1	* Spring	Obsolete part
38	21246336	1	Lock ring	
39	3884537	1	Cardboard tube	
40	21192093	1	Adjusting screw	
41	11991	1	Gasket	
42	21246369	1	Nut	
43	21246336	1	Lock ring	
44	21189044	1	Body	Replaced by 21275201
	21275201	1	Body	
45	21189037	1	Expansion plug	

D2-40A, D2-40B

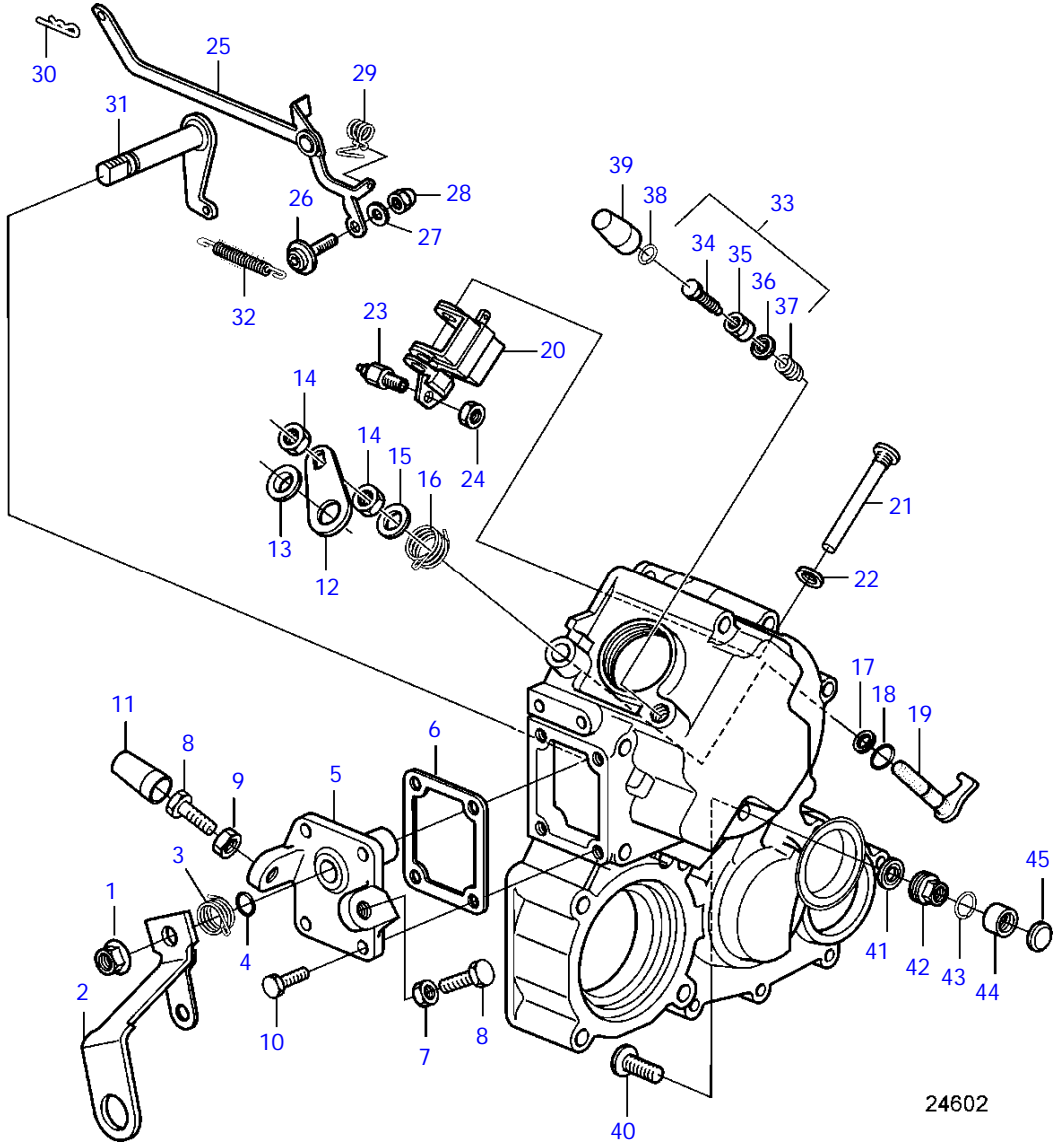


22858



D2-40A, D2-40B

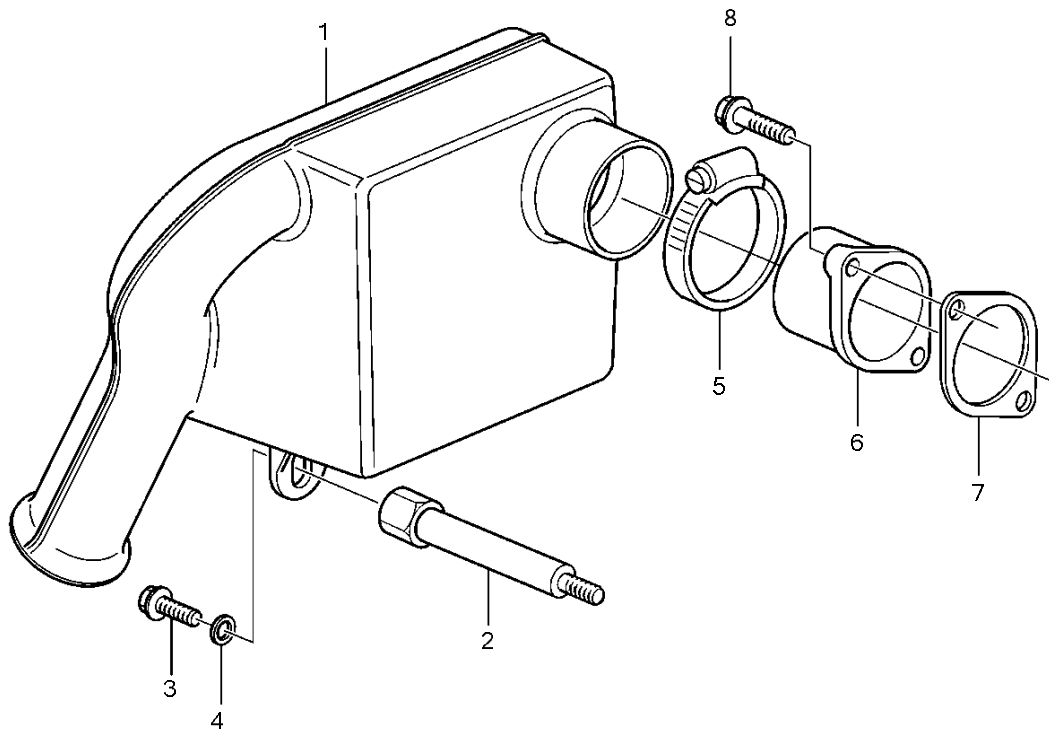
REF	PART NO.	QTY	DESCRIPTION
1	3580036	1	Intermediate lever
2	955275	1	Hexagon screw
3	945407	3	Flange nut
4	3580042	1	Stay
5	955274	2	Hexagon screw
6	3583761	1	Cardboard tube
7	3580581	1	Screw
8	3809019	1	Shaft
9	3886396	1	O-ring
10	3580041	1	Lock ring
11	3580051	1	Intermediate lever
12	843109	1	Bushing
13	955782	2	Hexagon nut
14	191172	1	Washer
15	3580048	1	Spring
16	3887459	1	Intermediate lever
17		1	* Lever
18	3580031	1	* Washer
19		1	* Lever
20	3580030	1	* Lock ring
21	3580735	1	Spring
22	3580032	1	Locking pin
23	3580034	1	Arm
24	3886395	1	O-ring
25	3580030	1	* Lock ring
26	3884534	1	* Tension spring
27	3580045	1	Arm
28	3580046	1	Lock ring
29	3886397	1	O-ring
30	3583770	1	Screw
31		1	* Screw
32	3583772	1	* O-ring
33		1	* Nut
34		1	* Lock ring
35	3580080	1	* Delivery pipe
36	3583779	2	Nut
37	3583778	1	Screw
38	3580087	1	Sealing ring
39	3584083	1	Sleeve
40		1	* Sleeve
41		1	* Cap
42	3884537	1	Cardboard tube



D2-40F

REF	PART NO.	QTY	DESCRIPTION	NOTES
1	21246409	1	Flange nut	
2	21187771	1	Intermediate lever	
3	21189685	1	Return spring	
4	3580035	1	O-ring	
5	21187772	1	Bracket	
6	21189675	1	Gasket	
7	945407	1	Flange nut	
8	3887085	2	Screw	
9	21246397	1	Nut	
10	21246651	4	Hexagon screw	
11	3583761	1	Cardboard tube	
12	21192501	1	Intermediate lever	
13	843109	1	Bushing	
14	955782	2	Hexagon nut	
15	21246676	1	Washer	
16	3580048	1	Spring	
17	3580047	1	O-ring	
18	3580046	1	Lock ring	
19	21225495	1	Arm	
20	21187328	1	Governor	
21	21187733	1	Shaft	
22	11992	1	Gasket	
23				
24		1	Hexagon nut	
25	21263379	1	Intermediate lever	
26	21187723	1	Shaft	
27	11991	1	Gasket	
28	21246490	1	Cap nut	
29	21189686	1	Spring	
30	3580032	1	Locking pin	
31	21187738	1	Arm	
32	21193276	1	Main spring	
33	21191838	1	Adjusting screw	
34		1	* Settling bolt	
35	3583779	1	* Nut	
36	3580087	1	* Sealing ring	
37	(21191839)	1	* Spring	Obsolete part
38	21246336	1	Lock ring	
39	3884537	1	Cardboard tube	
40	21192093	1	Adjusting screw	
41	11991	1	Gasket	
42	21246369	1	Nut	
43	21246336	1	Lock ring	
	21189044	1	Body	
44	21275201	1	Body	Replaced by 21275201
45				

D1-20A, D1-20B, D1-30A, D1-30B, D2-40A, D2-40B, D1-20F, D1-30F, D2-40F



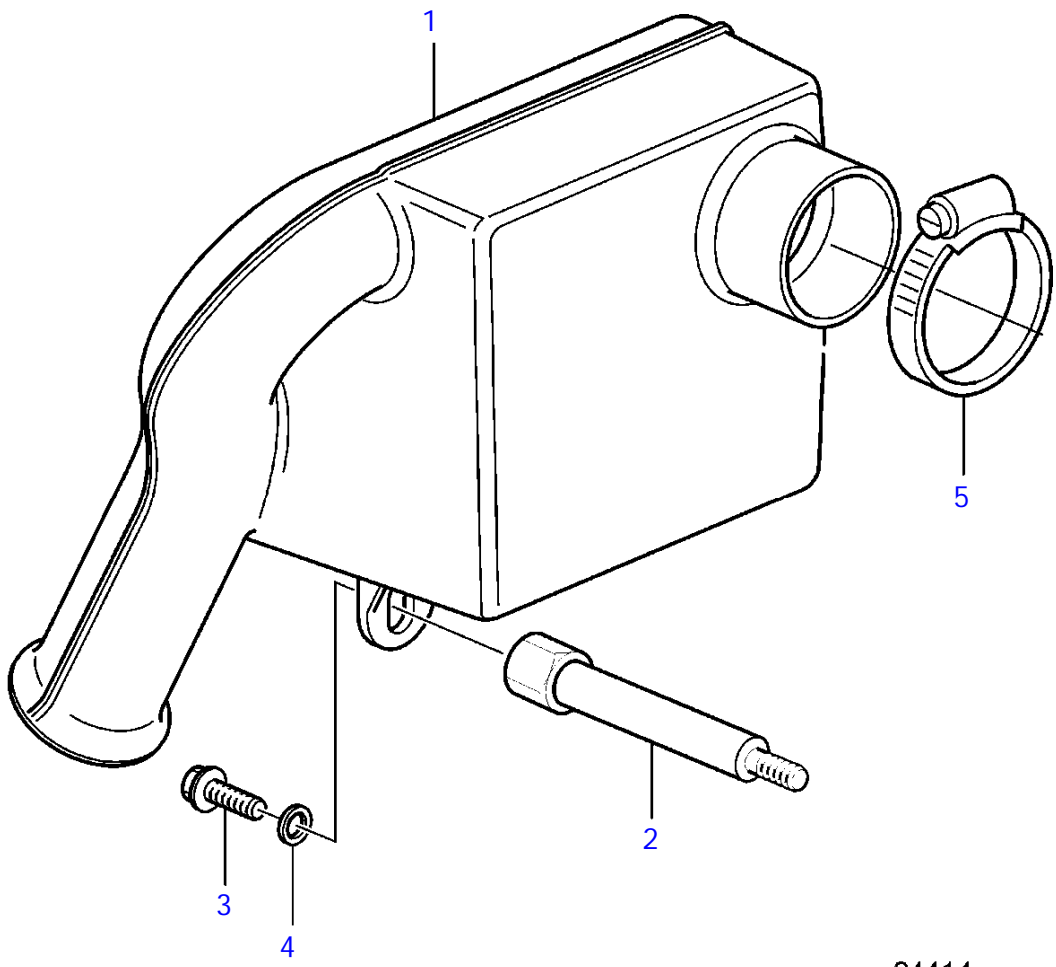
23322

D1-20A, D1-20B, D1-30A, D1-30B, D2-40A, D2-40B, D1-20F, D1-30F, D2-40F
--

REF	PART NO.	QTY	DESCRIPTION	NOTES
1	3809924	1	Inlet silencer	Complete, non-interchangeable filter unit
2	3819969	1	Spacer screw	
3	946544	1	Flange screw	
4	21246676	1	Washer	
5	21246695	1	Clip	
6	3809658	1	Adapter	
	3884971	1	Adapter	
7	3809667	1	Gasket	
8	3580013	2	Screw	D1-20, D1-30
				D2-40

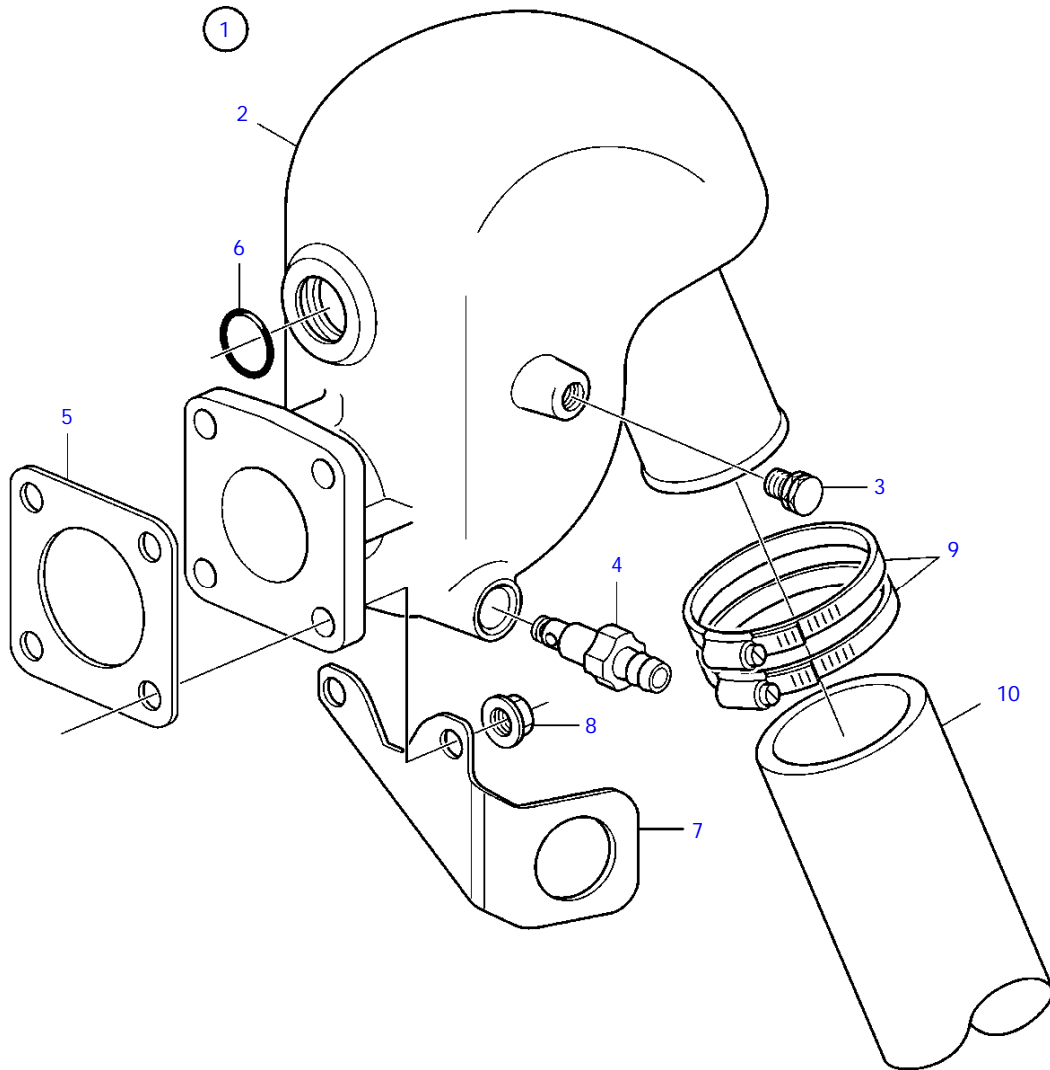


D1-13A, D1-13B, D1-13F



24414

D1-13A, D1-13B, D1-20A, D1-20B, D1-30A, D1-30B, D2-40A, D2-40B, D1-13F, D1-20F, D1-30F, D2-40F

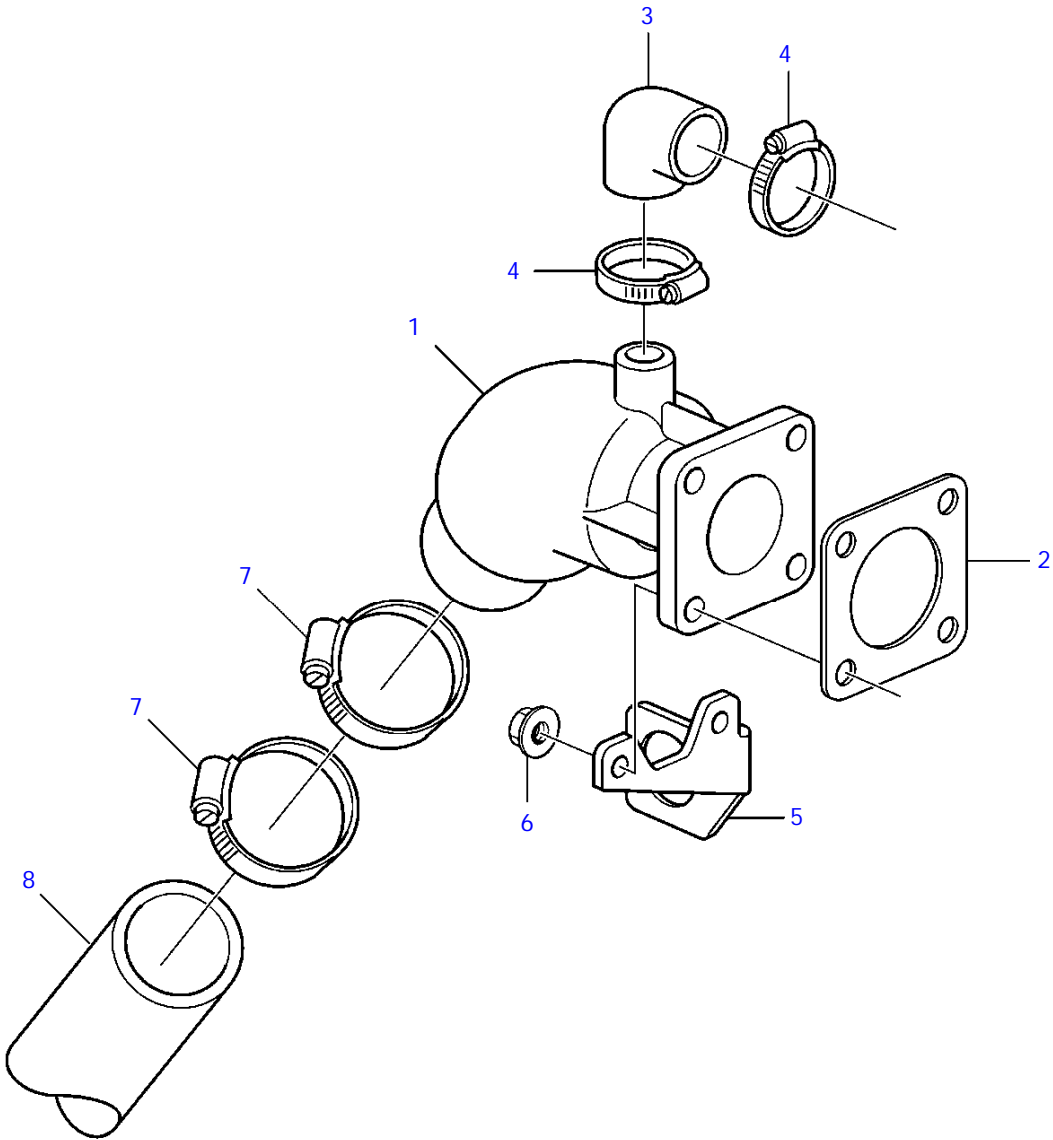


23028

D1-13A, D1-13B, D1-20A, D1-20B, D1-30A, D1-30B, D2-40A, D2-40B, D1-13F, D1-20F, D1-30F, D2-40F

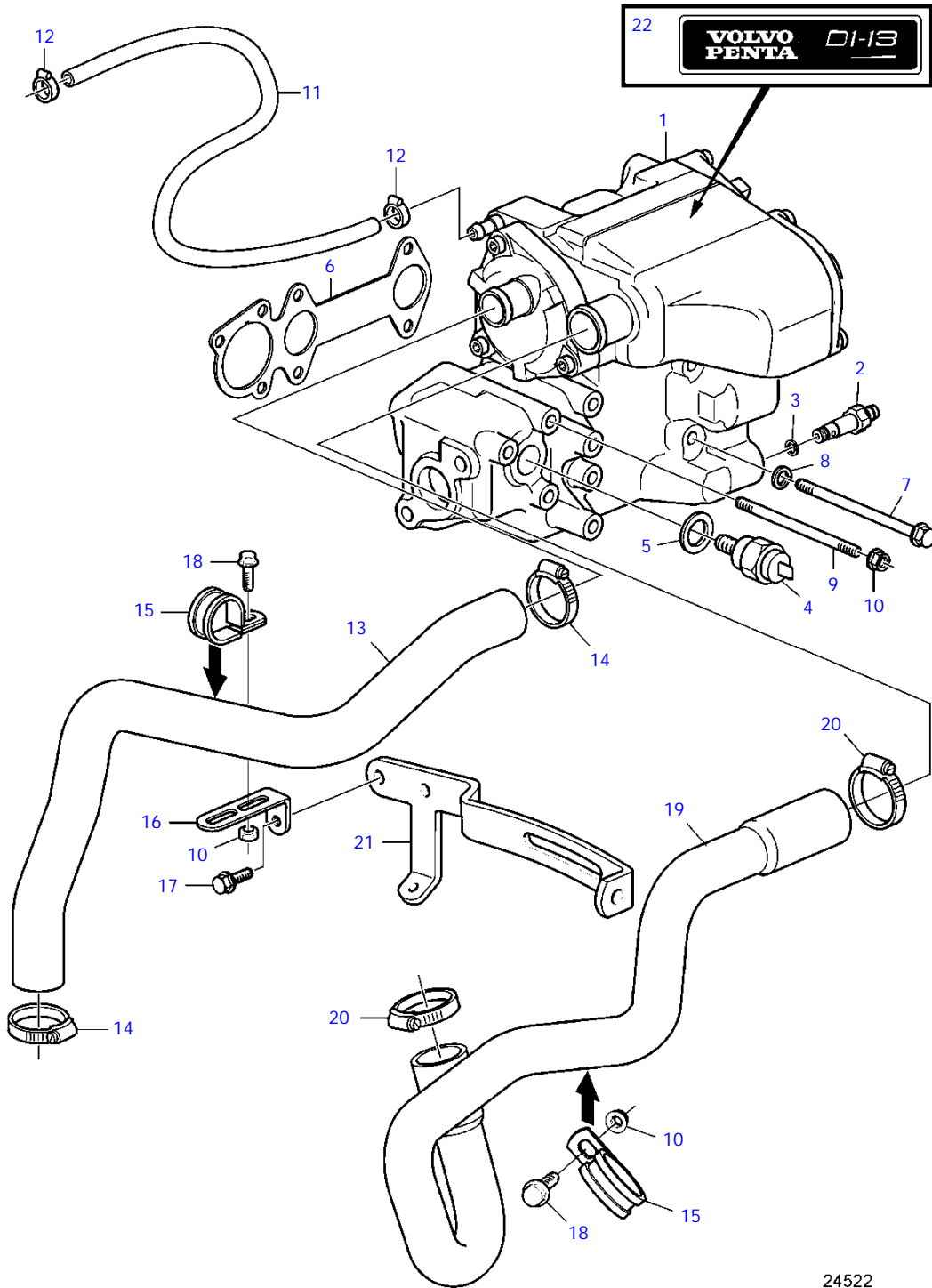
REF	PART NO.	QTY	DESCRIPTION	SEE SEC.	NOTES
1	3884165	1	Exhaust riser		
			• Bulletin P-25-1-3	P-25-1-3-EN	New Exhaust Riser
2		1	• Exhaust riser		
3	981749	1	• • Plug		
4	3583822	1	• • Draining nipple		
5	861907	1	• Gasket		
6	987951	1	• O-ring		
7	3817200	1	Bracket		
8	948645	2	Flange lock nut		
9	961671	2	Hose clamp		
10	1140665	X	Exhaust hose		

D1-13A, D1-13B, D1-20A, D1-20B, D1-30A, D1-30B, D2-40A, D2-40B, D1-13F, D1-20F, D1-30F, D2-40F



22859

D1-13A, D1-13B

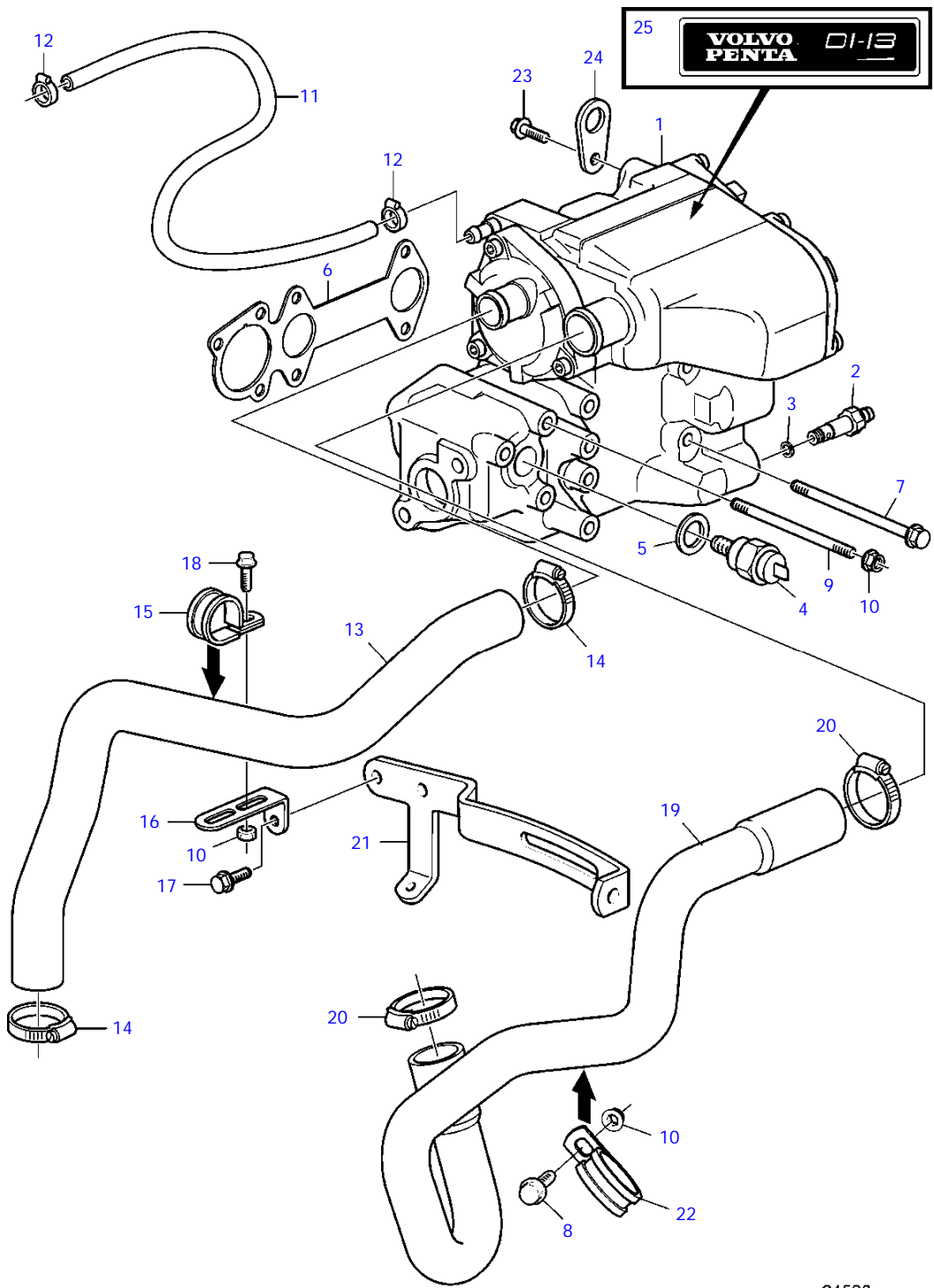


24522

D1-13A, D1-13B

REF	PART NO.	QTY	DESCRIPTION	SEE SEC.	NOTES
1	3840127	1	Heat exchanger		
			*		
			*	9708	
2		1	* Draining nipple	9708	
3		1	* * O-ring		
4		1	Ect sensor		See Electrical system/EVC Electrical system D1-D2
5	11998	1	Gasket		
6	3809917	1	Gasket		
7	955285	5	Hexagon screw		
8	861913	5	Spring washer		
9	3884546	2	Stud		
10	945407	3	Flange nut		
11	993304	1	Hose		Heat exchanger-expansion tank.
12	945652	2	Hose clamp		
13		1	Hose	8343	Heat exchanger-sea water pump.
14		2	Hose clamp	8343	
15	952636	2	Clamp		
16	965555	1	Bracket		
17	947107	1	Flange screw		
18	946544	1	Flange screw		
19		1	Hose	21475	Heat exchanger-water pump.
20		2	Hose clamp	21475	
21		1	Tensioner	8355	
22	3809963	1	Label		

D1-13F



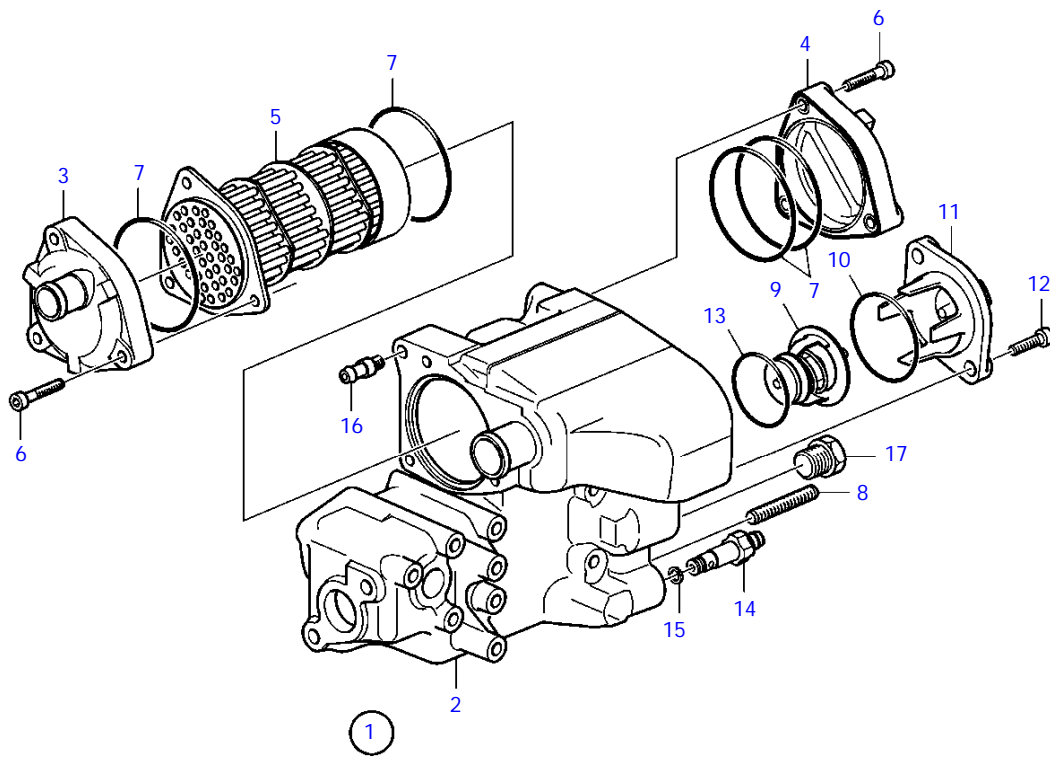
24523



D1-13F

REF	PART NO.	QTY	DESCRIPTION	SEE SEC.	NOTES
1	3840127	1	Heat exchanger		
			*		
			*	9708	
2		1	* Draining nipple	9708	
3		1	* * O-ring		
4		1	Ect sensor		See Electrical system/EVC Electrical system D1-D2
5	11998	1	Gasket		
6	3809917	1	Gasket		
7	969982	5	Flange screw		
8	946440	1	Flange screw		
9	3884546	2	Stud		
10	945407	3	Flange nut		
11	943366	X	Rubber hose		Heat exchanger-expansion tank., L=350mm
12	961662	2	Hose clamp		
13		1	Hose	8343	Heat exchanger-sea water pump.
14		2	Hose clamp	8343	
15	952636	1	Clamp		
16	965555	1	Bracket		
17	947107	1	Flange screw		
18	946544	1	Flange screw		
19		1	Hose	21475	Heat exchanger-water pump.
20		2	Hose clamp	21475	
21		1	Tensioner	8355	
22	952635	1	Clamp		
23	946173	1	Flange screw		
24	3583556	1	Lifting eye		
25	3809963	1	Label		

D1-13A, D1-13B, D1-13F

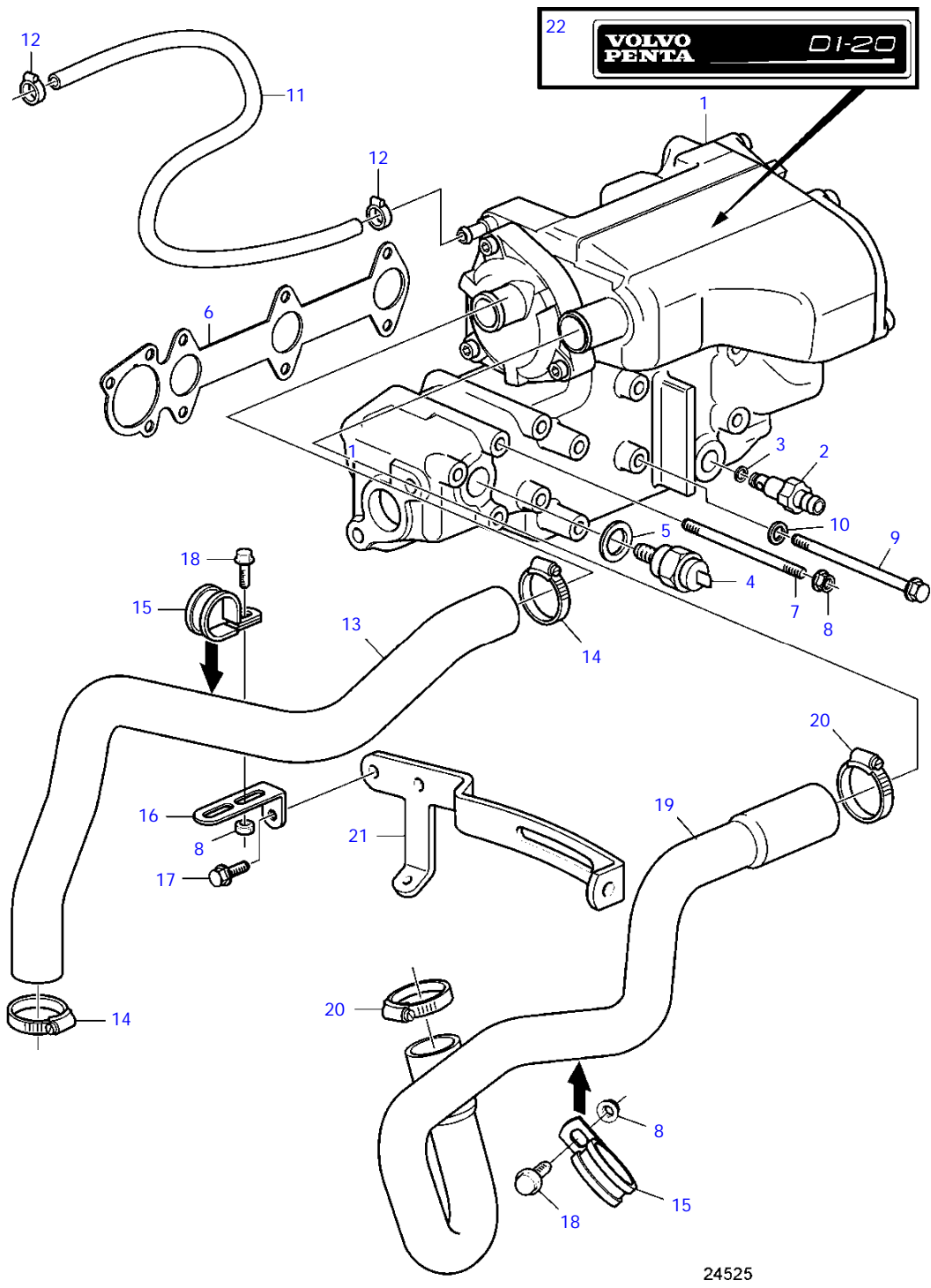


22993

D1-13A, D1-13B, D1-13F

REF	PART NO.	QTY	DESCRIPTION
1	3840127	1	Heat exchanger
2		1	* Cover
3	3842022	1	* End plate
4	3842021	1	* End plate
5	3842017	1	* Insert
6	959207	6	* Hex. socket screw
7	3842016	4	* O-ring
8	3584203	4	* Stud
9	3842015	1	* Thermostat
10	3583830	1	* O-ring
11	888622	1	* Thermostat
12	959222	2	* Hex. socket screw
13	3586514	1	* O-ring
14	3583822	1	* Draining nipple
15		1	* O-ring
16	3842014	1	* Pipe
17	982364	1	* Plug

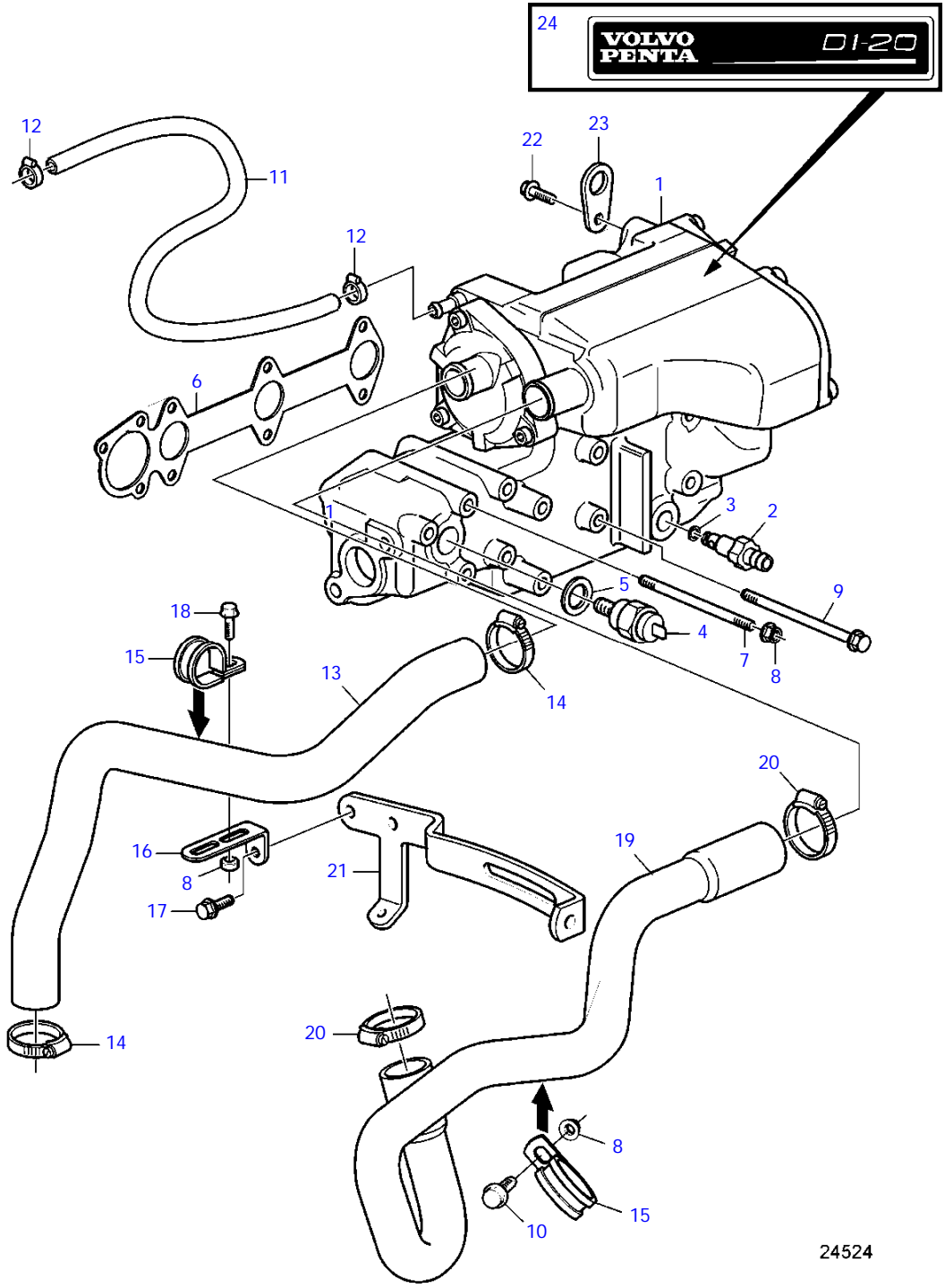
D1-20A, D1-20B



24525

D1-20A, D1-20B

REF	PART NO.	QTY	DESCRIPTION	SEE SEC.	NOTES
1	3840128	1	Heat exchanger		
			*		
			*	9709	
2		1	Draining nipple	9709	
3		1	* O-ring		
4		1	Ect sensor		See Electrical system/EVC Electrical system D1-D2
5	11998	1	Gasket		
6	3812151	1	Gasket		
7	3884546	2	Stud		
8	945407	4	Flange nut		
9	955285	7	Hexagon screw		
10	861913	7	Spring washer		
11	993304	1	Hose		Heat exchanger-expansion tank.
12	945652	2	Hose clamp		
13		1	Hose	8343	Heat exchanger-sea water pump.
14		2	Hose clamp	8343	
15	952636	2	Clamp		
16	965558	1	Bracket		
17	947107	1	Flange screw		
18	946544	2	Flange screw		
19	3818594	1	Hose		Heat exchanger-water pump.
20	853548	2	Hose clamp		
21		1	Tensioner	8355	
22	3809965	1	Label		



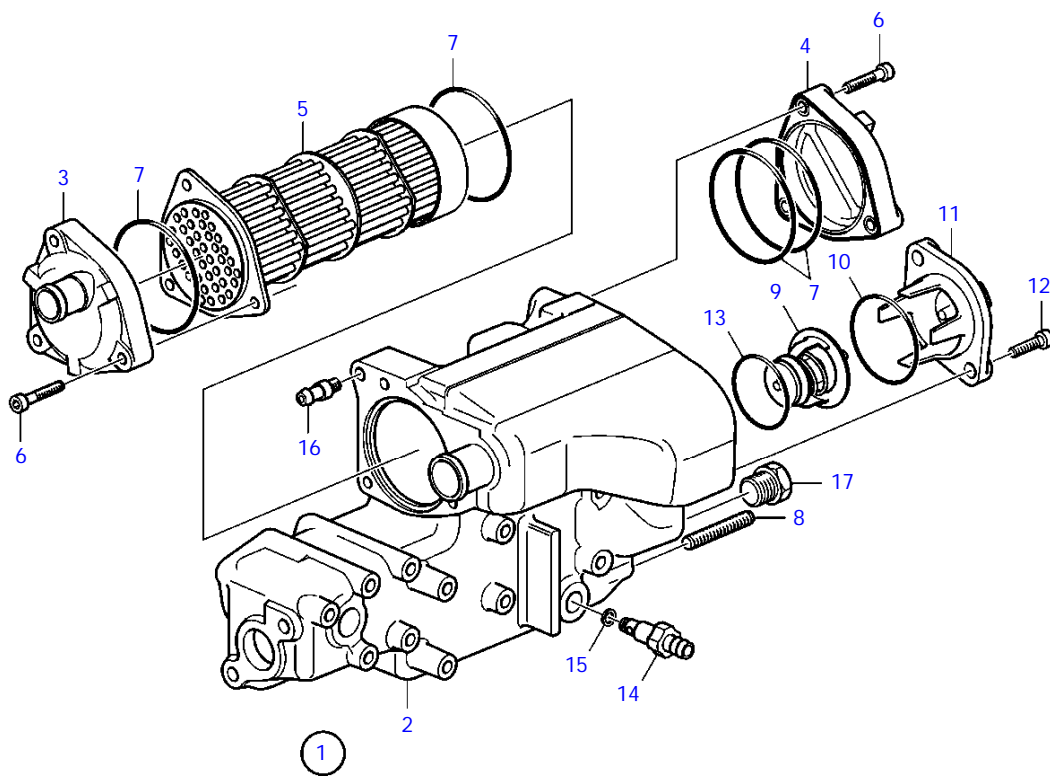
24524



D1-20F

REF	PART NO.	QTY	DESCRIPTION	SEE SEC.	NOTES
1	3840128	1	Heat exchanger		
			*		
			*	9709	
2		1	Draining nipple	9709	
3		1	* O-ring		
4		1	Ect sensor		See Electrical system/EVC Electrical system D1-D2
5	11998	1	Gasket		
6	3812151	1	Gasket		
7	3884546	2	Stud		
8	945407	2	Flange nut		
9	969982	7	Flange screw		
10	946440	1	Flange screw		
11	943366	X	Rubber hose		Heat exchanger-expansion tank., L=350mm
12	961664	2	Hose clamp		
13		1	Hose	8343	Heat exchanger-sea water pump.
14		2	Hose clamp	8343	
15	952636	2	Clamp		
16	965558	1	Bracket		
17	947107	1	Flange screw		
18	946544	1	Flange screw		
19		1	Hose	21475	Heat exchanger-water pump.
20		2	Hose clamp	21475	
21		1	Tensioner	8355	
22	946173	1	Flange screw		
23	3583556	1	Lifting eye		
24	3809965	1	Label		

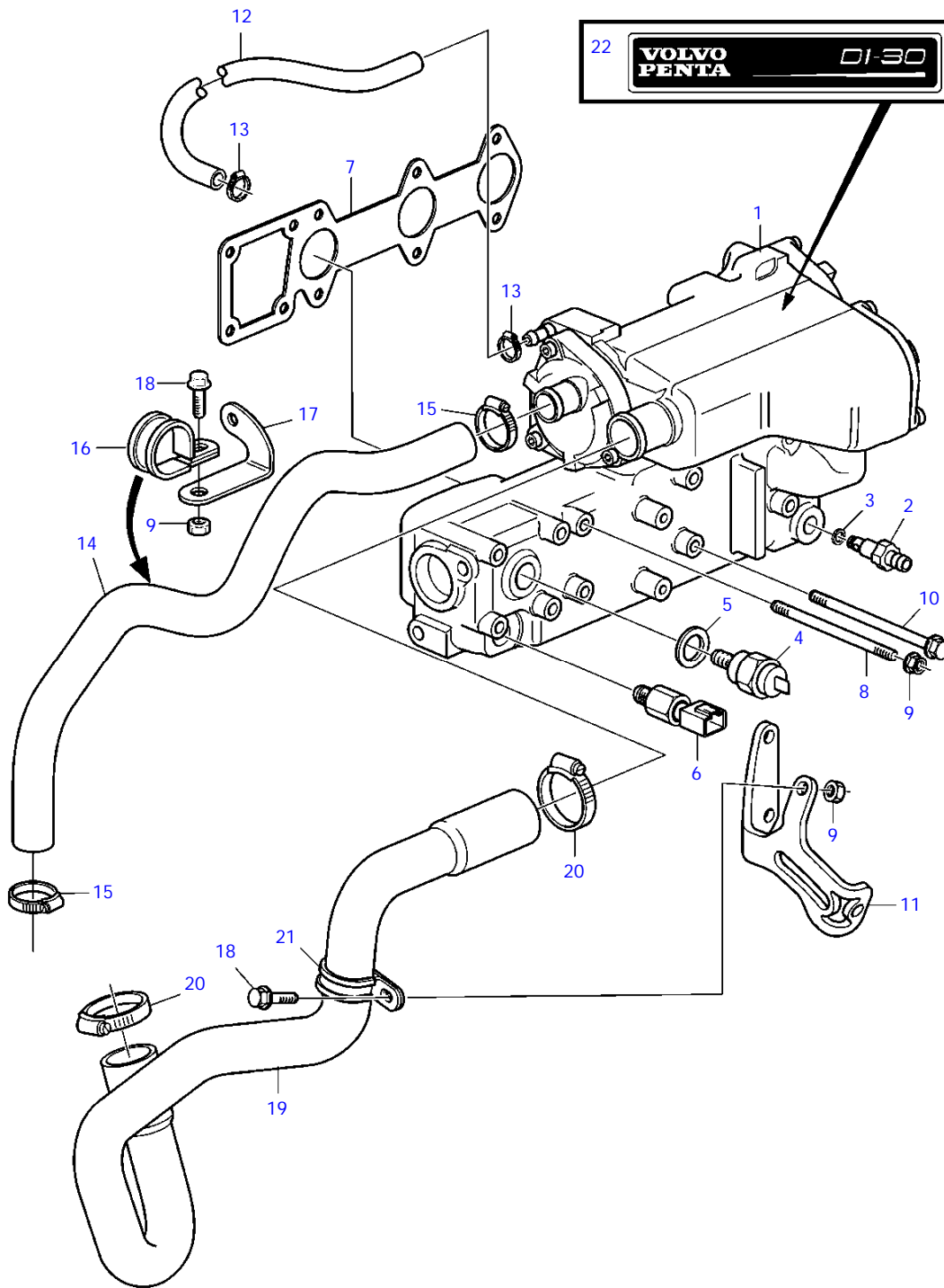
D1-20A, D1-20B, D1-20F



22994

D1-20A, D1-20B, D1-20F

REF	PART NO.	QTY	DESCRIPTION	NOTES
1	3840128	1	Heat exchanger	
2	(3842027)	1	* Heat exchanger housi	Obsolete part
3	3842022	1	* End plate	
4	3842021	1	* End plate	
5	3842018	1	* Insert	
6	959207	6	* Hex. socket screw	
7	3842016	4	* O-ring	
8	3584203	4	* Stud	
9	3842015	1	* Thermostat	
10	3583830	1	* O-ring	
11	888622	1	* Thermostat	
12	959222	2	* Hex. socket screw	
13	3586514	1	* O-ring	
14	3583822	1	* Draining nipple	
15		1	* O-ring	
16	3842014	1	* Pipe	
17	982364	1	* Plug	

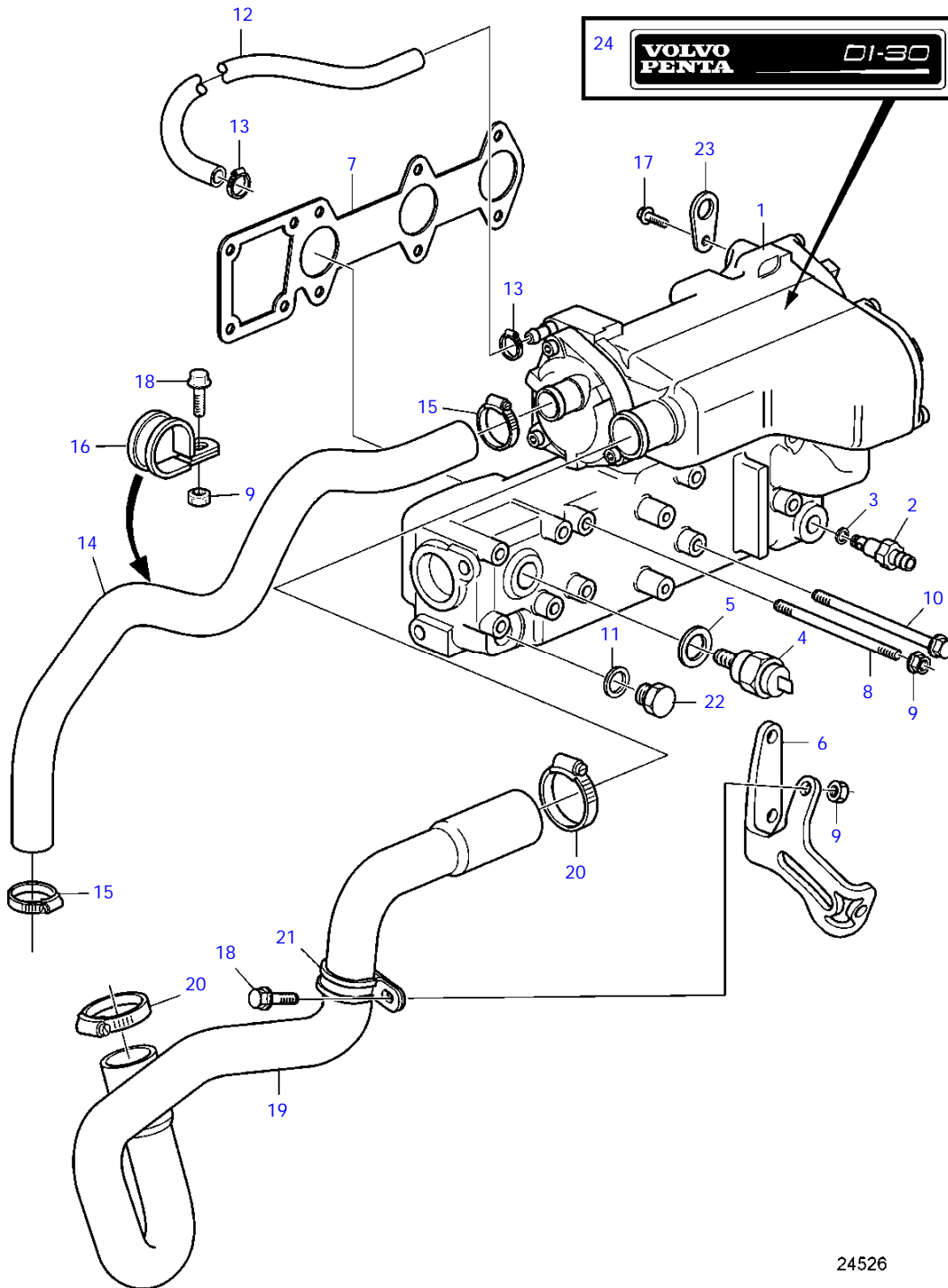


24527

D1-30A

REF	PART NO.	QTY	DESCRIPTION	SEE SEC.	NOTES
1	3840129	1	Heat exchanger		
			*		
			*	9710	
2		1	Draining nipple	9710	
3		1	* O-ring		
4		1	Ect sensor	8369	
5	11998	1	Gasket		
6	3808797	1	Thermo monitor		
7	3812402	1	Gasket		
8	3884546	2	Stud		
9	945407	4	Flange nut		
10	969982	6	Flange screw		
11		1	Tensioner	8356	
12	943366	1	Rubber hose		Heat exchanger-expansion tank.
13	961662	2	Hose clamp		
14	3812873	1	Hose		Heat exchanger-sea water pump.
15	961667	2	Hose clamp		
16	952636	1	Clamp		
17	3812875	1	Bracket		
18	946544	2	Flange screw		
19	3595421	1	Hose		Heat exchanger-water pump.
20	853548	2	Hose clamp		
21	952637	1	Clamp		
22	3809966	1	Label		

D1-30B, D1-30F

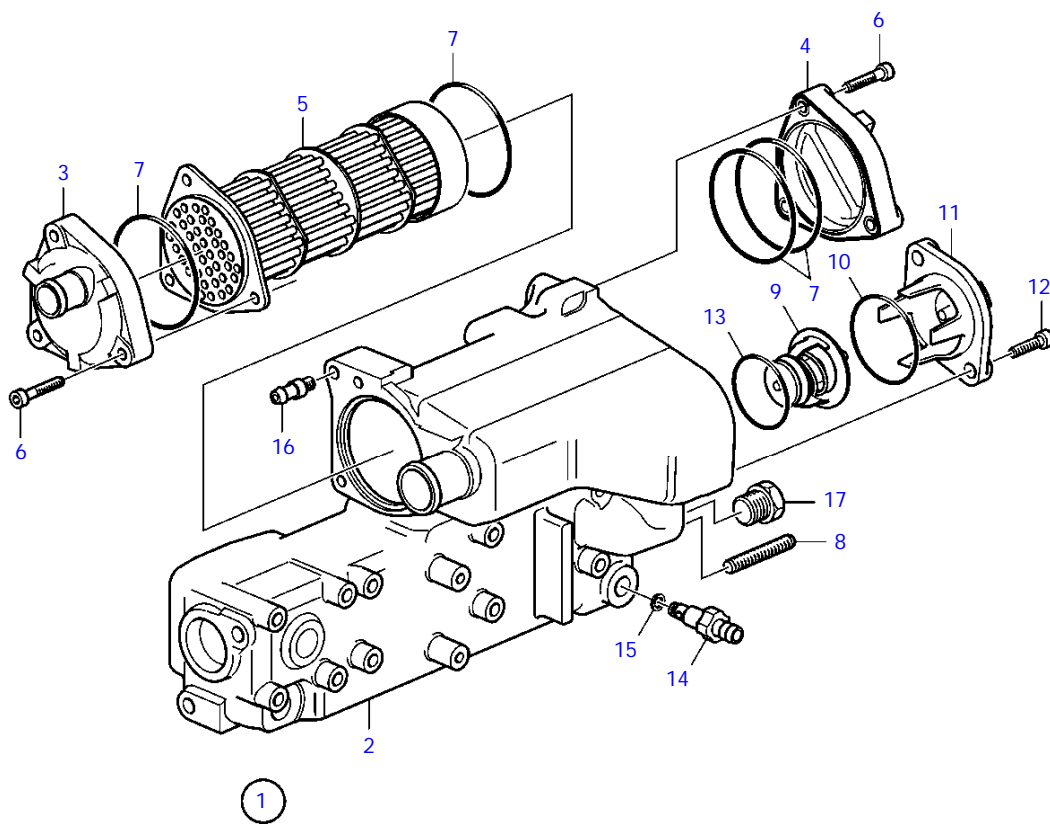


24526

D1-30B, D1-30F

REF	PART NO.	QTY	DESCRIPTION	SEE SEC.	NOTES
1	3840129	1	Heat exchanger	9710	
2		1	Draining nipple	9710	
3		1	* O-ring		
4		1	Ect sensor	21454	
5	11998	1	Gasket		
6		1	Tensioner		
7	3812402	1	Gasket		
8	3884546	2	Stud		
9	945407	4	Flange nut		
10	969982	6	Flange screw		
11	11996	1	Gasket		D1-30B
	3580092	1	Sealing ring		D1-30F
12	943366	1	Rubber hose		Heat exchanger-expansion tank.
13	961662	2	Hose clamp		
14	3812873	1	Hose		Heat exchanger-sea water pump.
15	961667	2	Hose clamp		D1-30B
	943475	2	Hose clamp		D1-30F
16	952636	1	Clamp		
17	946173	1	Flange screw		
18	946544	2	Flange screw		
19	3595421	1	Hose		Heat exchanger-water pump.
20	853548	2	Hose clamp		
21	952637	1	Clamp		
22	960631	1	Plug		D1-30B
	3580091	1	Screw		D1-30F
23	3583556	1	Lifting eye		
24	3809966	1	Label		

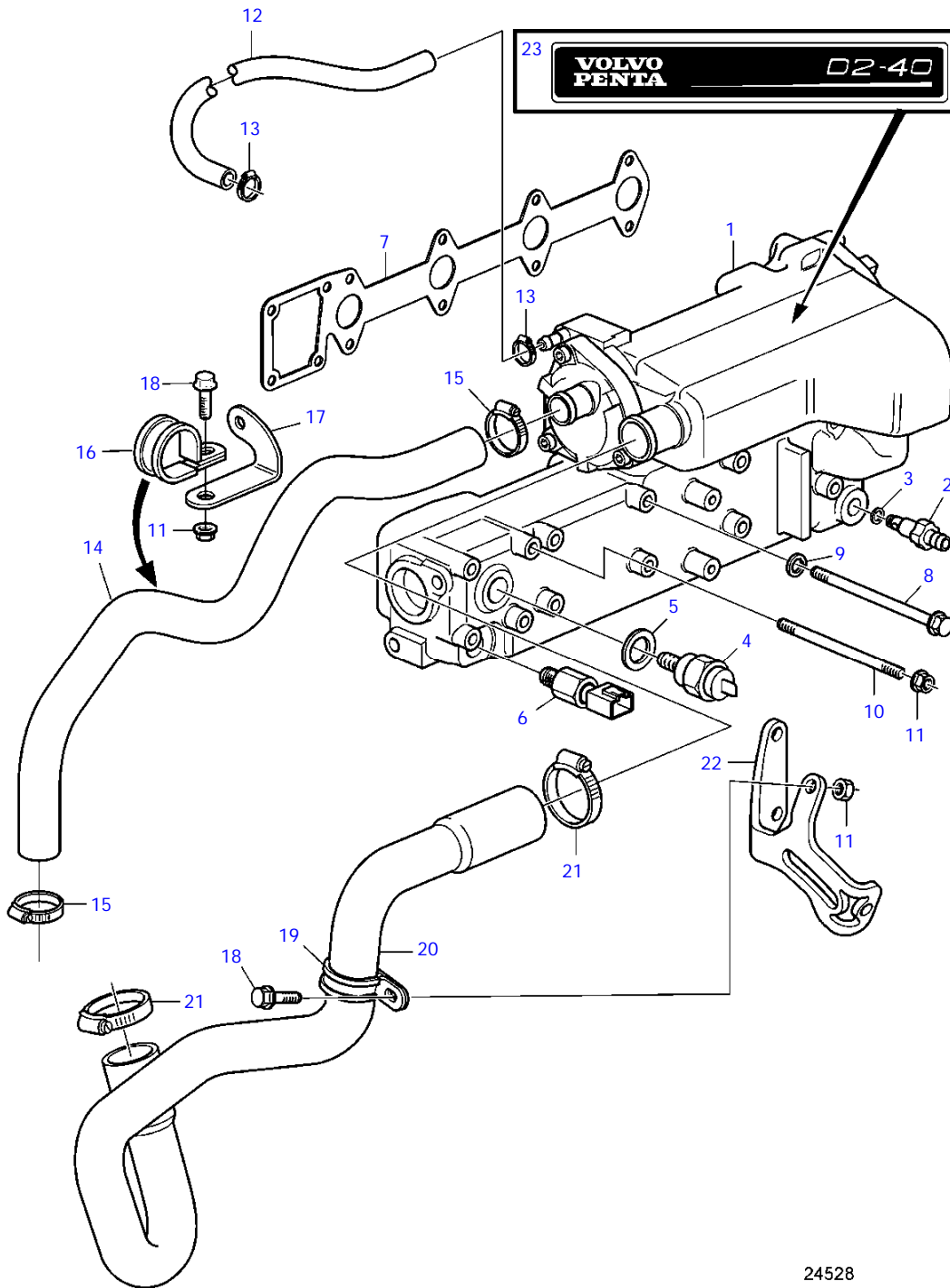
D1-30A, D1-30B, D1-30F



22995

D1-30A, D1-30B, D1-30F

REF	PART NO.	QTY	DESCRIPTION
1	3840129	1	Heat exchanger
2		1	* Cover
3	3842022	1	* End plate
4	3842021	1	* End plate
5	3842019	1	* Insert
6	959207	6	* Hex. socket screw
7	3842016	4	* O-ring
8	3584203	4	* Stud
9	3842015	1	* Thermostat
10	3583830	1	* O-ring
11	888622	1	* Thermostat
12	959222	2	* Hex. socket screw
13	3586514	1	* O-ring
14	3583822	1	* Draining nipple
15		1	* O-ring
16	3842014	1	* Pipe
17	982364	1	* Plug

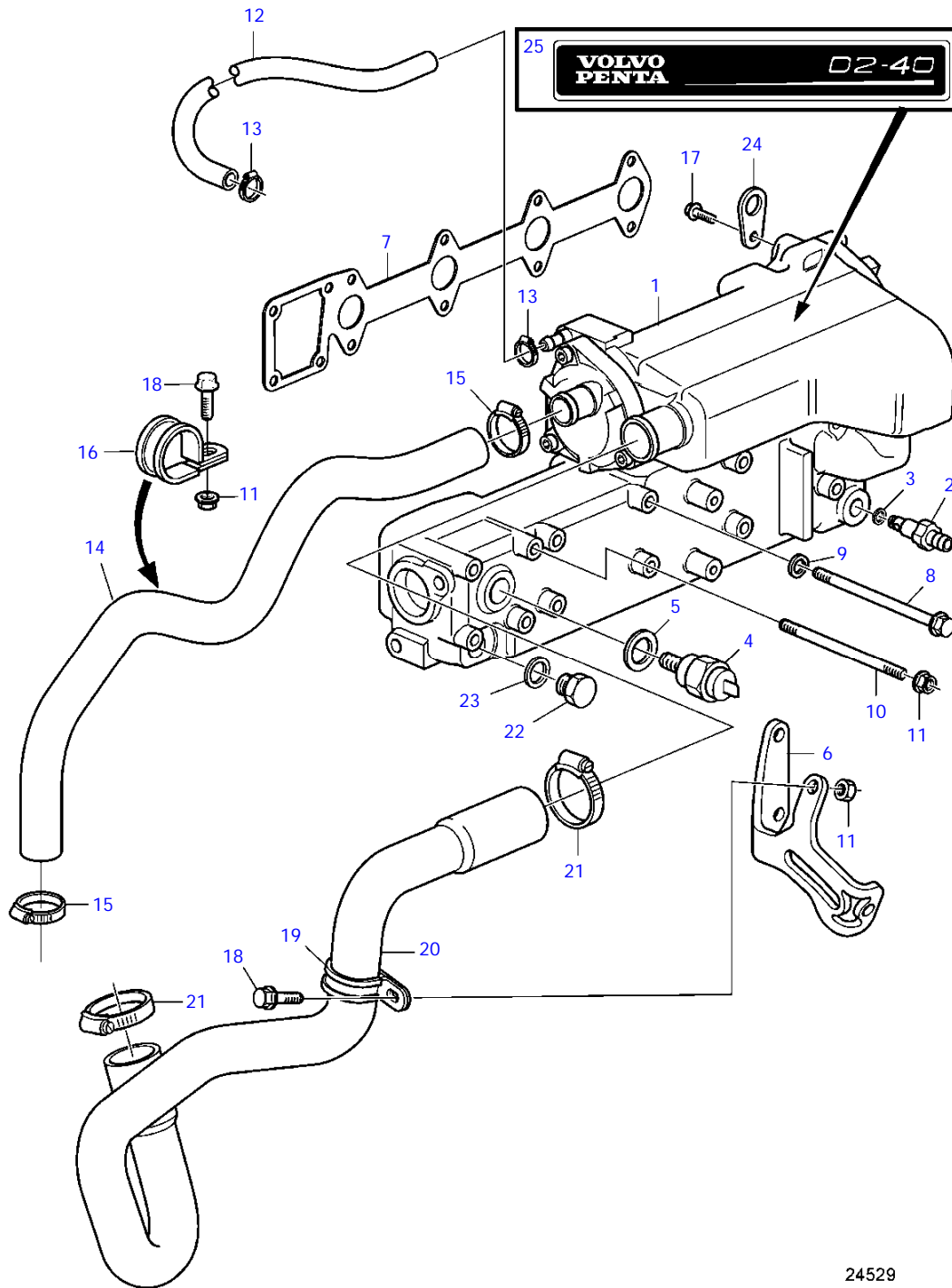


24528

D2-40A

REF	PART NO.	QTY	DESCRIPTION	SEE SEC.	NOTES
1	3840130	1	Heat exchanger		
			*		
			*	9711	
2		1	Draining nipple	9711	
3		1	* O-ring		
4		1	Ect sensor	8369	
5	11998	1	Gasket		
6	3808797	1	Thermo monitor		
7	3812445	1	Gasket		
8	955285	8	Hexagon screw		
9	861913	8	Spring washer		
10	3884546	2	Stud		
11	945407	2	Flange nut		
12	993304	1	Hose		Heat exchanger-expansion tank.
13	945652	2	Hose clamp		
14	3812889	1	Hose		Heat exchanger-sea water pump.
15	943475	2	Hose clamp		
16	952636	1	Clamp		
17	3812875	1	Bracket		
18	946544	2	Flange screw		
19	952637	1	Clamp		
20	3818454	1	Hose		Heat exchanger-water pump.
21	853548	2	Hose clamp		
22		1	Tensioner		
23	3809967	1	Label		

D2-40B, D2-40F

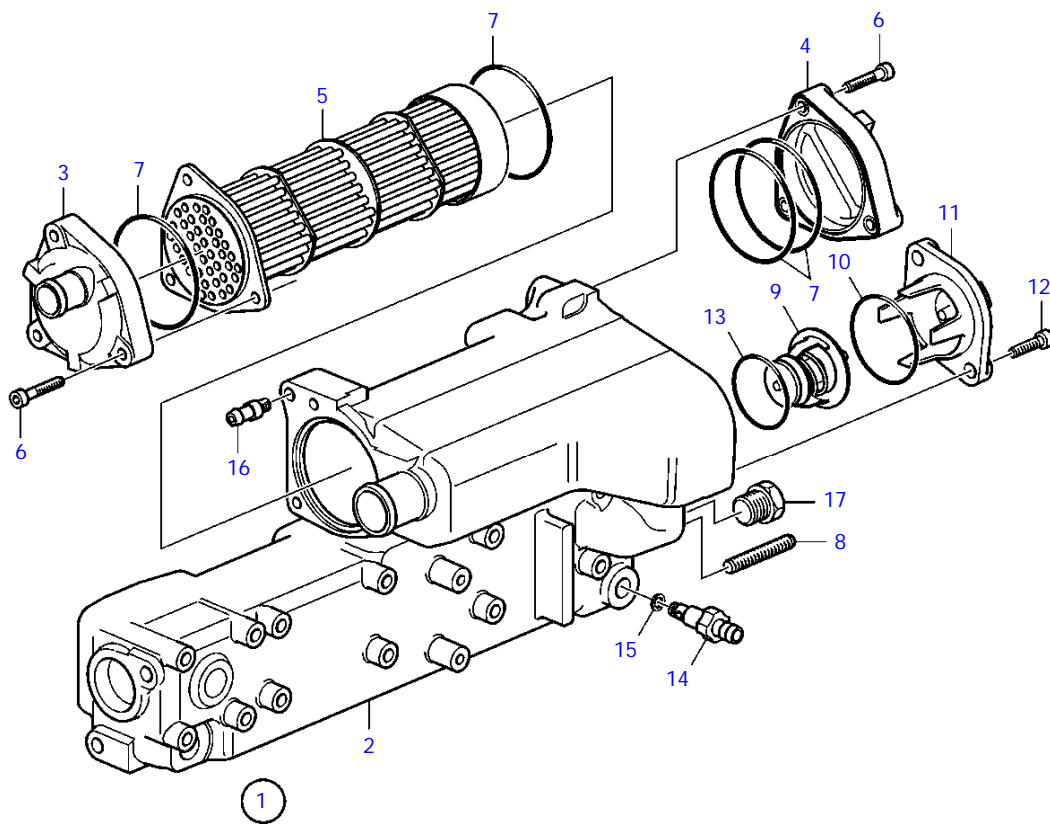


24529

D2-40B, D2-40F

REF	PART NO.	QTY	DESCRIPTION	SEE SEC.	NOTES
1	3840130	1	Heat exchanger		
			*		
			*	9711	
2		1	Draining nipple	9711	
3		1	* O-ring		
4		1	Ect sensor	21454	
5	11998	1	Gasket		
6		1	Tensioner	35099	D1-20B
		1	Tensioner	8356	D1-20F
7	3812445	1	Gasket		
8	955285	10	Hexagon screw		D2-40B
	969982	8	Flange screw		D2-40F
9	861913	8	Spring washer		D2-40B
10	3884546	2	Stud		
11	945407	2	Flange nut		
12	993304	1	Hose		Heat exchanger-expansion tank.
13	945652	2	Hose clamp		
14	3812889	1	Hose		Heat exchanger-sea water pump.
15	943475	2	Hose clamp		
16	952636	1	Clamp		
17	946173	1	Flange screw		
18	946544	2	Flange screw		
19	952637	1	Clamp		
20	3818454	1	Hose		Heat exchanger-water pump.
21	853548	2	Hose clamp		
22	960631	1	Plug		D2-40B
	3580091	1	Screw		D2-40F
23	11996	1	Gasket		D2-40B
	3580092	1	Sealing ring		D2-40F
24	3583556	1	Lifting eye		
25	3809967	1	Label		

D2-40A, D2-40B, D2-40F

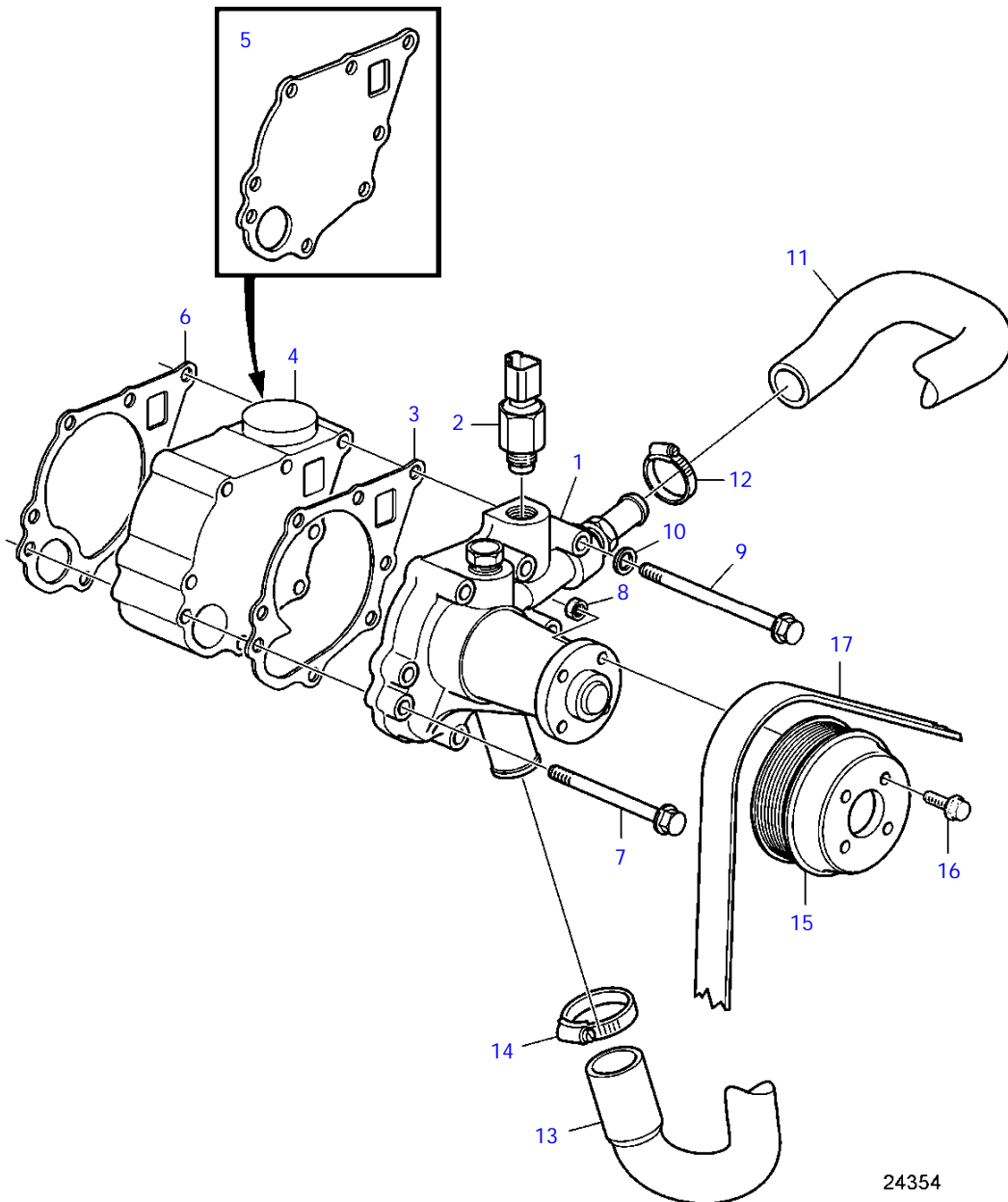


22996

D2-40A, D2-40B, D2-40F

REF	PART NO.	QTY	DESCRIPTION
1	3840130	1	Heat exchanger
2		1	* Cover
3	3842022	1	* End plate
4	3842021	1	* End plate
5	3842020	1	* Insert
6	959207	6	* Hex. socket screw
7	3842016	4	* O-ring
8	3584203	4	* Stud
9	3842015	1	* Thermostat
10	3583830	1	* O-ring
11	888622	1	* Thermostat
12	959222	2	* Hex. socket screw
13	3586514	1	* O-ring
14	3583822	1	* Draining nipple
15		1	* O-ring
16	3842014	1	* Pipe
17	982364	1	* Plug

D1-13A, D1-20A

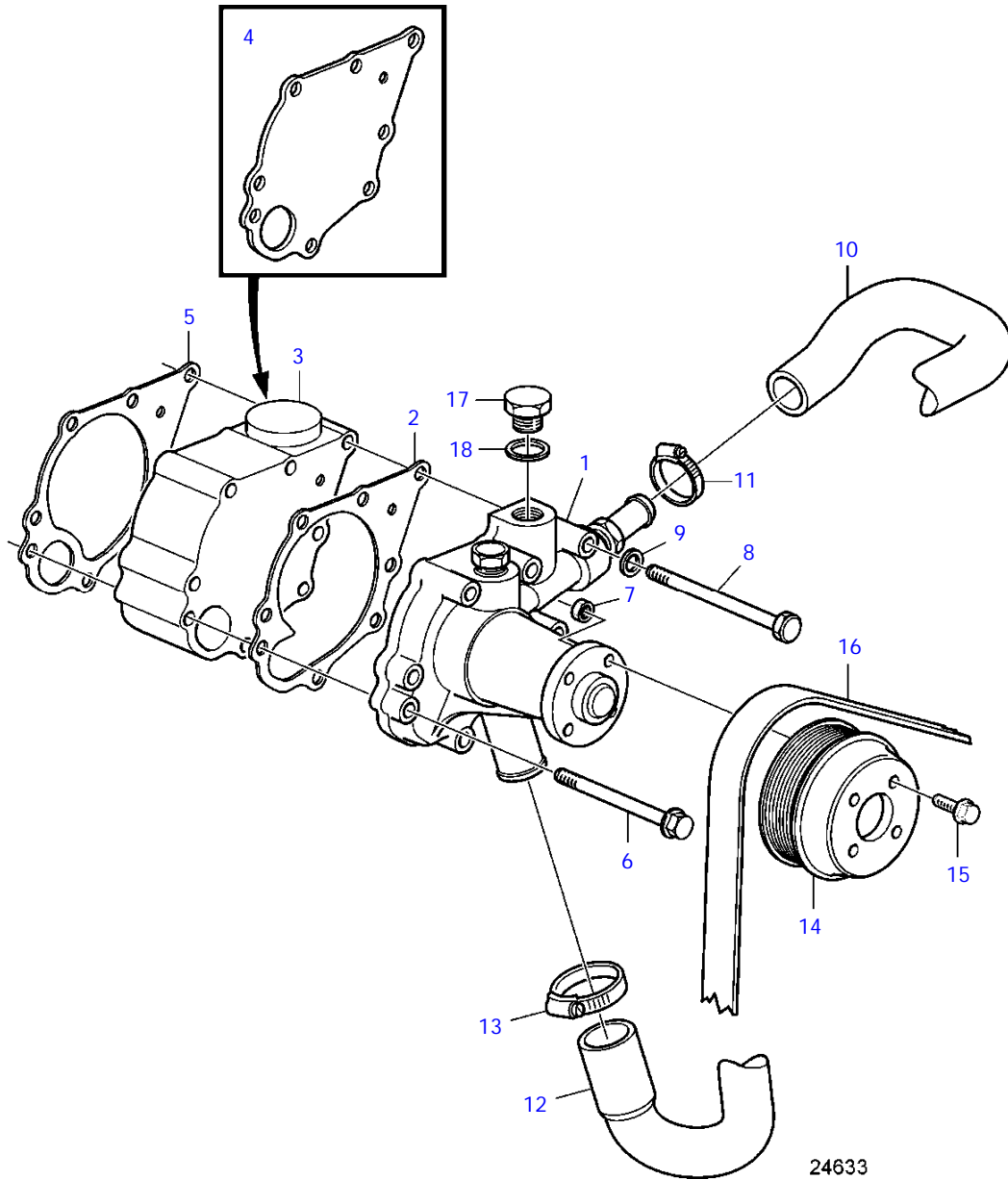


24354

D1-13A, D1-20A

REF	PART NO.	QTY	DESCRIPTION	SEE SEC.	NOTES
1	3803970	1	Coolant pump		
2	3808797	1	Thermo monitor		
3	3580003	1	Gasket		
4	3886401	1	Spacer		D1-13
5	3887172	1	Plate		D1-20
6	3580001	1	Gasket		
7	861899	3	Screw		D1-13
	3580258	3	Screw		D1-20
8	945407	1	Flange nut		
9	20405647	4	Hexagon screw		D1-13
	3580243	4	Screw		
10	861913	4	Spring washer		D1-13
11		1	Hose	8330	Water pump - expansion tank.
12		2	Hose clamp	8330	
13		1	Hose	8335	Water pump - heat exchanger.
14		2	Hose clamp	8335	
15	3812146	1	Pulley		
16	3580013	4	Screw		
17		1	Drive belt	8355	

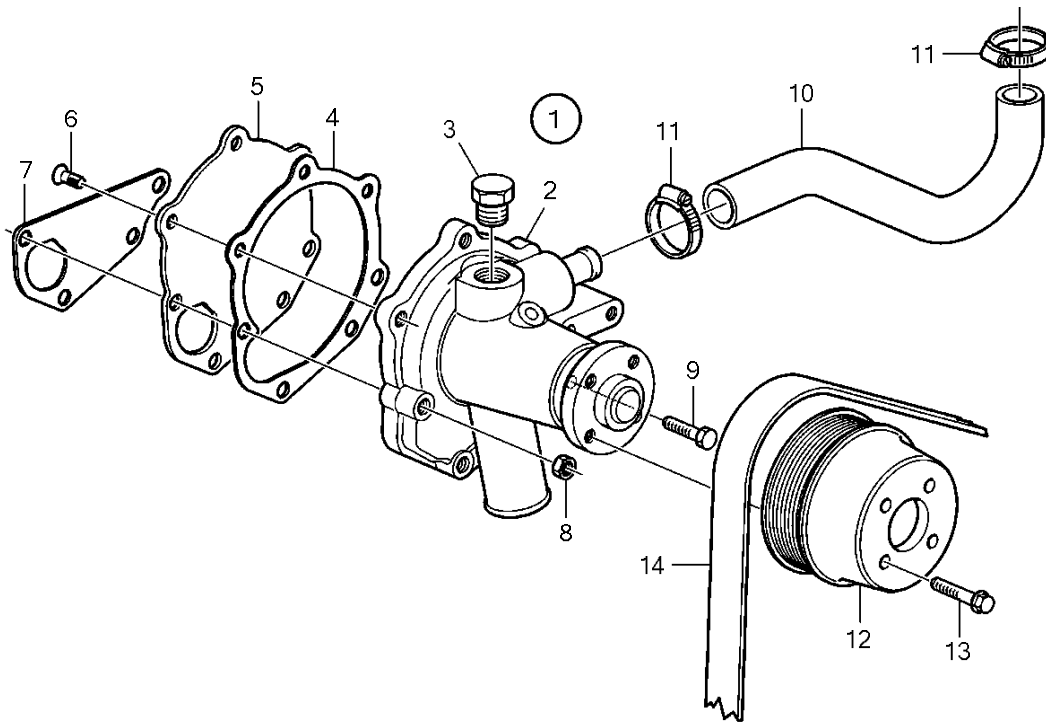
D1-13B, D1-20B, D1-13F, D1-20F



D1-13B, D1-20B, D1-13F, D1-20F

REF	PART NO.	QTY	DESCRIPTION	SEE SEC.	NOTES
1	3803970	1	Coolant pump		
2	3580003	1	Gasket		
3	3886401	1	Spacer		D1-13
4	3887172	1	Plate		D1-20
5	3580001	1	Gasket		
6	861899	3	Screw		D1-13
	3580258	3	Screw		D1-20
7	945407	1	Flange nut		
8	20405647	4	Hexagon screw		D1-13
	3580243	4	Screw		D1-20
9	861913	4	Spring washer		D1-13
10		1	Hose	8330	Water pump - expansion tank.
11		2	Hose clamp	8330	
12	3818594	1	Hose		Water pump - heat exchanger.
13	853548	2	Hose clamp		
14	3812146	1	Pulley		
15	3580013	4	Screw		
16		1	Drive belt	8355	
17	960631	1	Plug		
18	11996	1	Gasket		

D1-30A, D1-30B, D2-40A, D2-40B, D1-30F, D2-40F

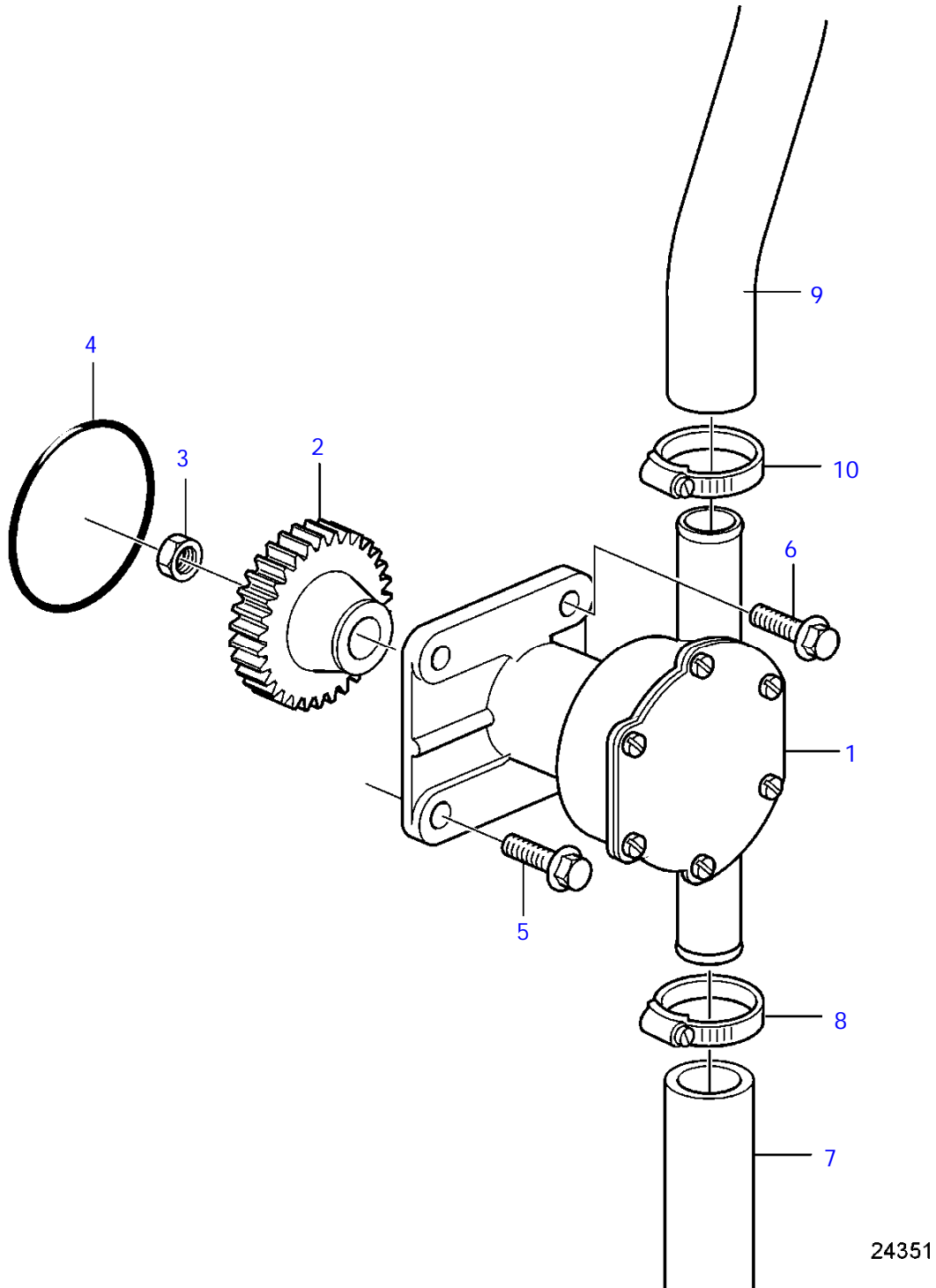


24035

D1-30A, D1-30B, D2-40A, D2-40B, D1-30F, D2-40F

REF	PART NO.	QTY	DESCRIPTION	SEE SEC.	NOTES
1	21192325	1	Water pump		D1-30A, D1-30B, D2-40A, D2-40B, (3803972)
	3801343	1	Circulation pump, exch		D1-30A, D1-30B, D2-40A, D2-40B, (3803972)
		1	Circ. pump, exch		D1-30F, D2-40F
2		1	* Water pump		
3		1	* Plug		
4	3884539	1	* Gasket		
5	3884538	1	* Plate		
6	3580577	3	* Screw		
7	3884540	1	Gasket		
8	945407	1	Flange nut		
9	3580258	3	Screw		
10	3812884	1	Hose		Water pump - expansion tank.
11	961665	2	Hose clamp		
12	21192097	1	Pulley		
13	3580013	4	Screw		
14		1	Drive belt	8356	

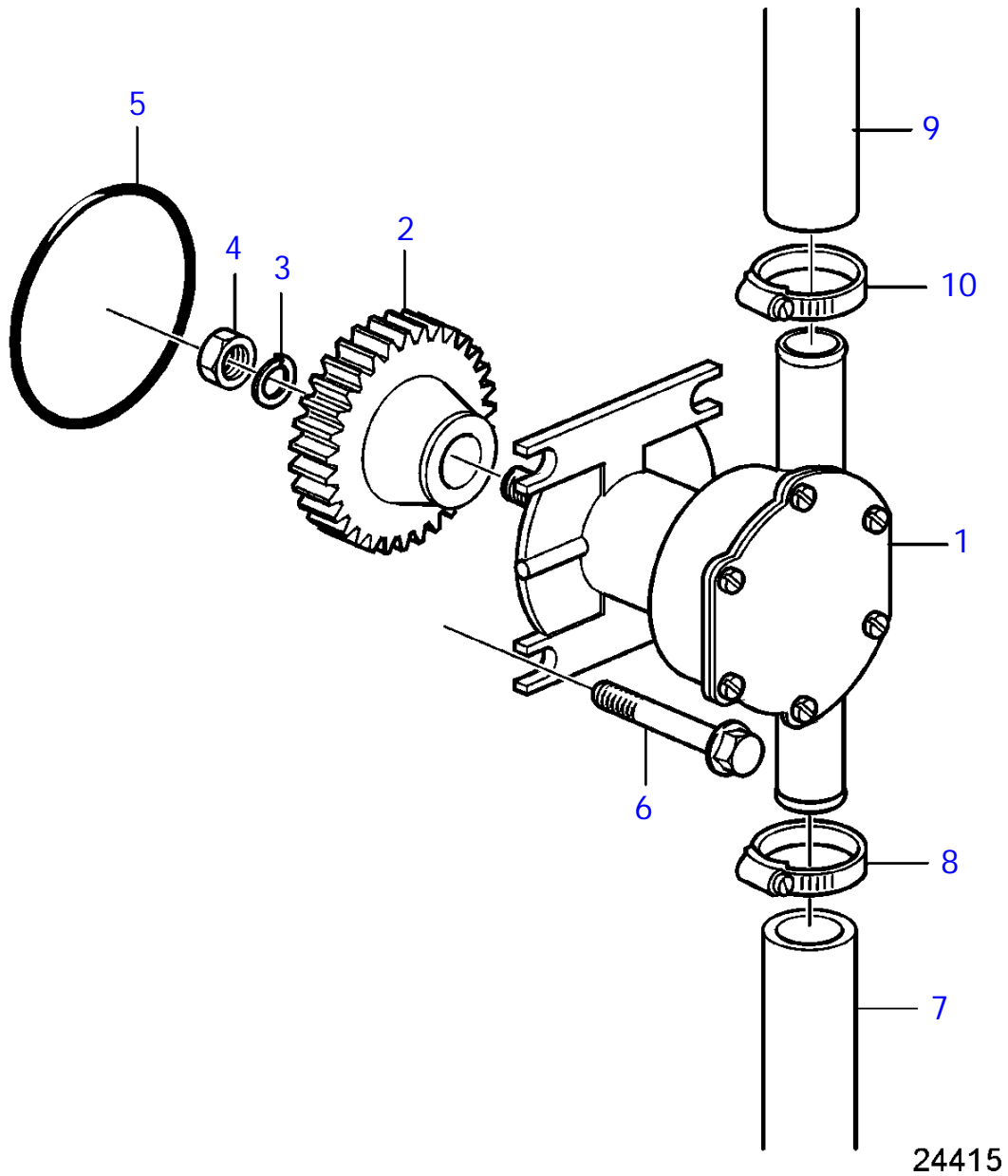
D1-13A, D1-13B, D1-20A, D1-20B, D1-13F, D1-20F



D1-13A, D1-13B, D1-20A, D1-20B, D1-13F, D1-20F

REF	PART NO.	QTY	DESCRIPTION	SEE SEC.	NOTES
1	3593654	1	Sea water pump		
			* Bulletin 43-19A	43-19A-EN	New Sea Water Pumps
1			*		
			*	4153	
2	3580062	1	Gear		
3	21246409	1	Flange nut		
4	3580063	1	O-ring		
5	965180	2	Flange screw		
6	965216	2	Flange screw		
7			Hose	8375	Sea water pump-sea water filter.
8			Hose clamp	8375	
9	3809920	1	Hose		Sea water pump-heat exchanger., D1-13
	3812156	1	Hose		Sea water pump-heat exchanger., D1-20
10	943475	2	Hose clamp		

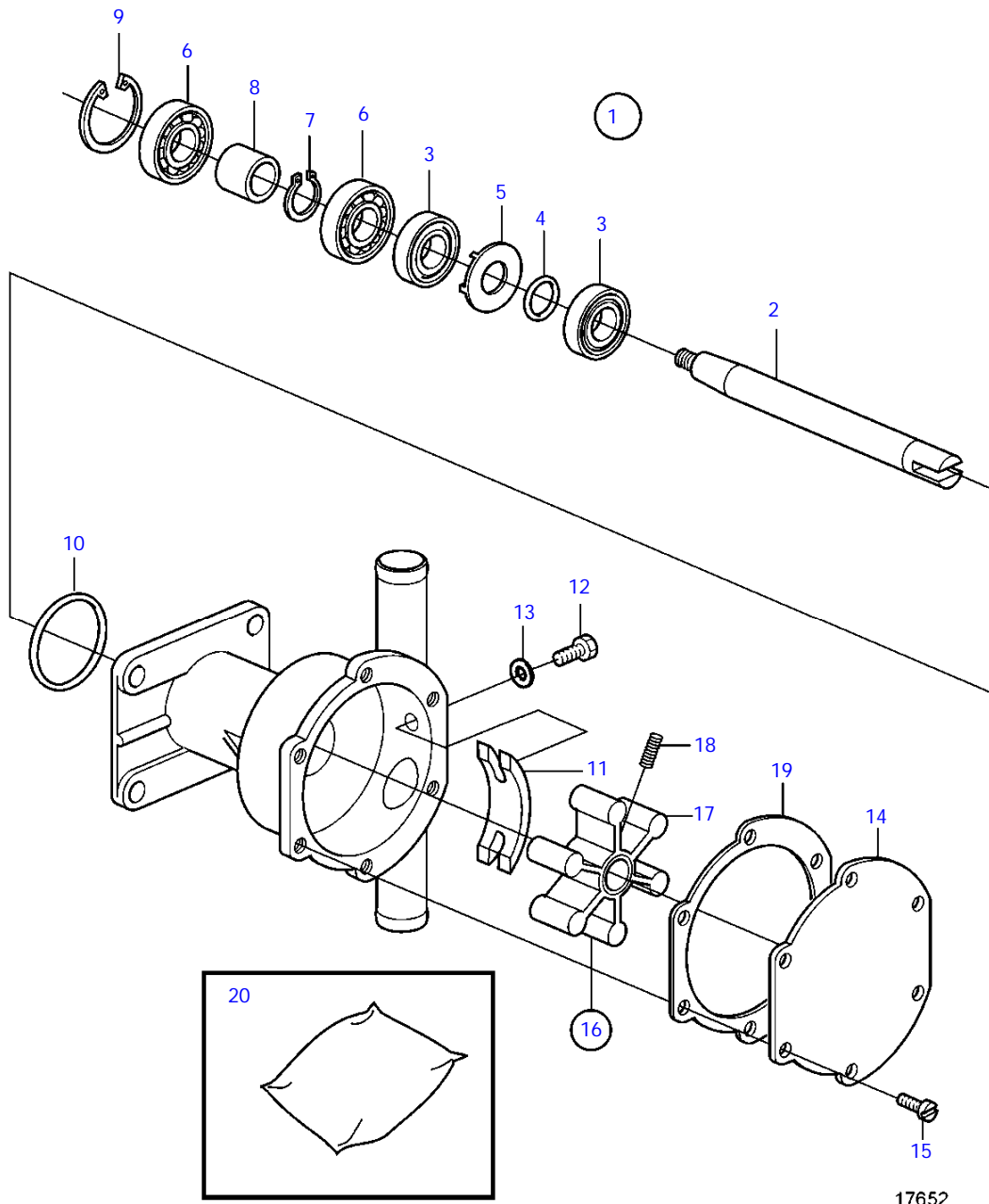
D1-30A, D1-30B, D2-40A, D2-40B, D1-30F, D2-40F



D1-30A, D1-30B, D2-40A, D2-40B, D1-30F, D2-40F

REF	PART NO.	QTY	DESCRIPTION	SEE SEC.	NOTES
1	3593655	1	Sea water pump		
			* Bulletin 43-19A	43-19A-EN	New Sea Water Pumps
1			*		
			*	9344	
2	3580379	1	Gear		
3	3580015	1	Spring washer		
4	971071	1	Hexagon nut		
5	3580380	1	O-ring		
6	965217	4	Flange screw		D1-30A, D1-30B, D2-40A, D2-40B
	21252722	4	Flange screw		D1-30F
	21246665	4	Hexagon screw		D2-40F
7		1	Hose		D=19mm
8	980129	2	Hose clamp		
9	3812873	1	Hose		
10	943472	2	Hose clamp		

D1-13A, D1-13B, D1-20A, D1-20B, D1-13F, D1-20F

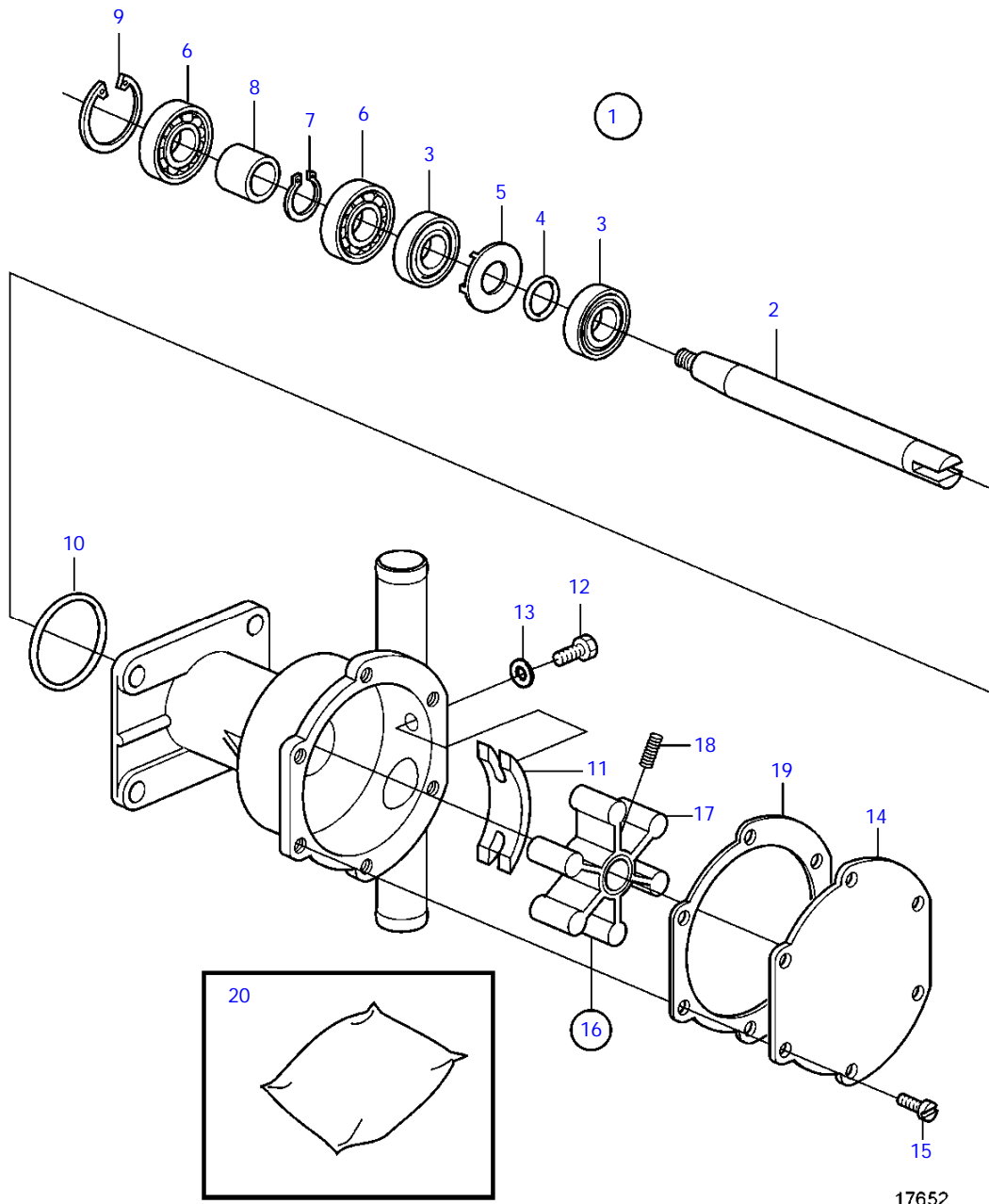


17652

D1-13A, D1-13B, D1-20A, D1-20B, D1-13F, D1-20F

REF	PART NO.	QTY	DESCRIPTION	SEE SEC.	NOTES
1	3593654		Sea water pump		
			* Bulletin 43-19A	43-19A-EN	New Sea Water Pumps
1	876699	1	Repair kit		
2		1	* Shaft		
3	833996	2	* Sealing ring		
4	925055	1	* O-ring		
5	859101	1	* Spacer washer		
6	181717	2	* Ball bearing		
7	914446	1	* Snap ring		
8	3581367	1	* Spacer sleeve		
9	914515	1	* Snap ring		
10	3580063	1	* O-ring		
11	3581369	1	* Cam		
12	804693	1	* Screw		
13	18669	1	* Gasket		
14	840386	1	* Cardboard tube		
15	840384	6	* Screw		
16	3593659	1	Impeller kit		
17		1	* Impeller		
18	804697	1	* Screw		
19	840385	1	* Gasket		
20	3862178	1	* Grease		

D1-30A, D1-30B, D2-40A, D2-40B, D1-30F, D2-40F

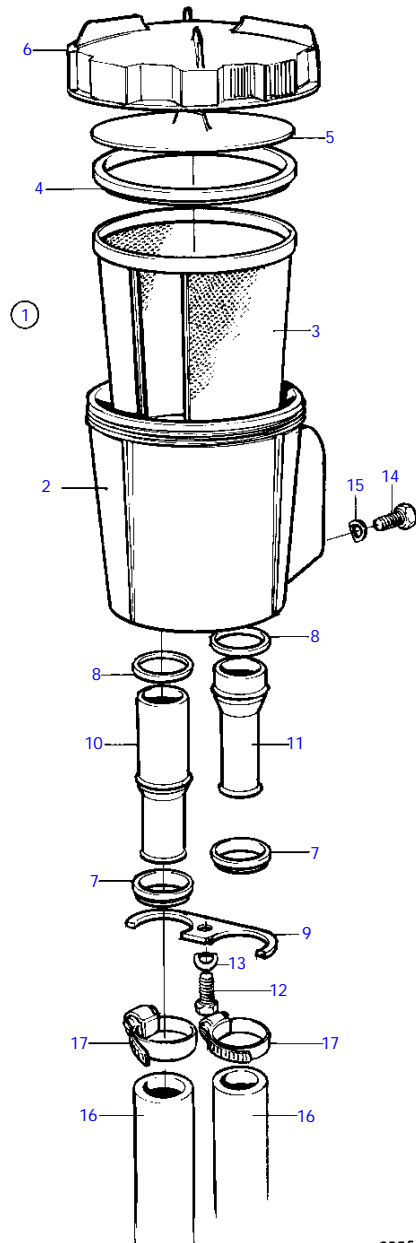


17652

D1-30A, D1-30B, D2-40A, D2-40B, D1-30F, D2-40F

REF	PART NO.	QTY	DESCRIPTION	SEE SEC.	NOTES
1	3593655	1	Sea water pump		
			* Bulletin 43-19A	43-19A-EN	New Sea Water Pumps
1	876700	1	Repair kit		
2		1	* Shaft		
3	833996	2	* Sealing ring		
4	925055	1	* O-ring		
5	859101	1	* Spacer washer		
6	181717	2	* Ball bearing		
7	914446	1	* Snap ring		
8	3581367	1	* Spacer sleeve		
9	914515	1	* Snap ring		
10	3580380	1	* O-ring		
11	827009	1	* Cam		
12	804693	1	* Screw		
13	18669	1	* Gasket		
14	840386	1	* Cardboard tube		
15	840384	6	* Screw		
16	3593659	1	Impeller kit		
17		1	* Impeller		
18	804697	1	* Screw		
19	819959	1	* Gasket		
20	3862178	1	* Grease		

D1-13A, D1-13B, D1-20A, D1-20B, D1-30A, D1-30B, D2-40A, D2-40B, D1-13F, D1-20F, D1-30F, D2-40F

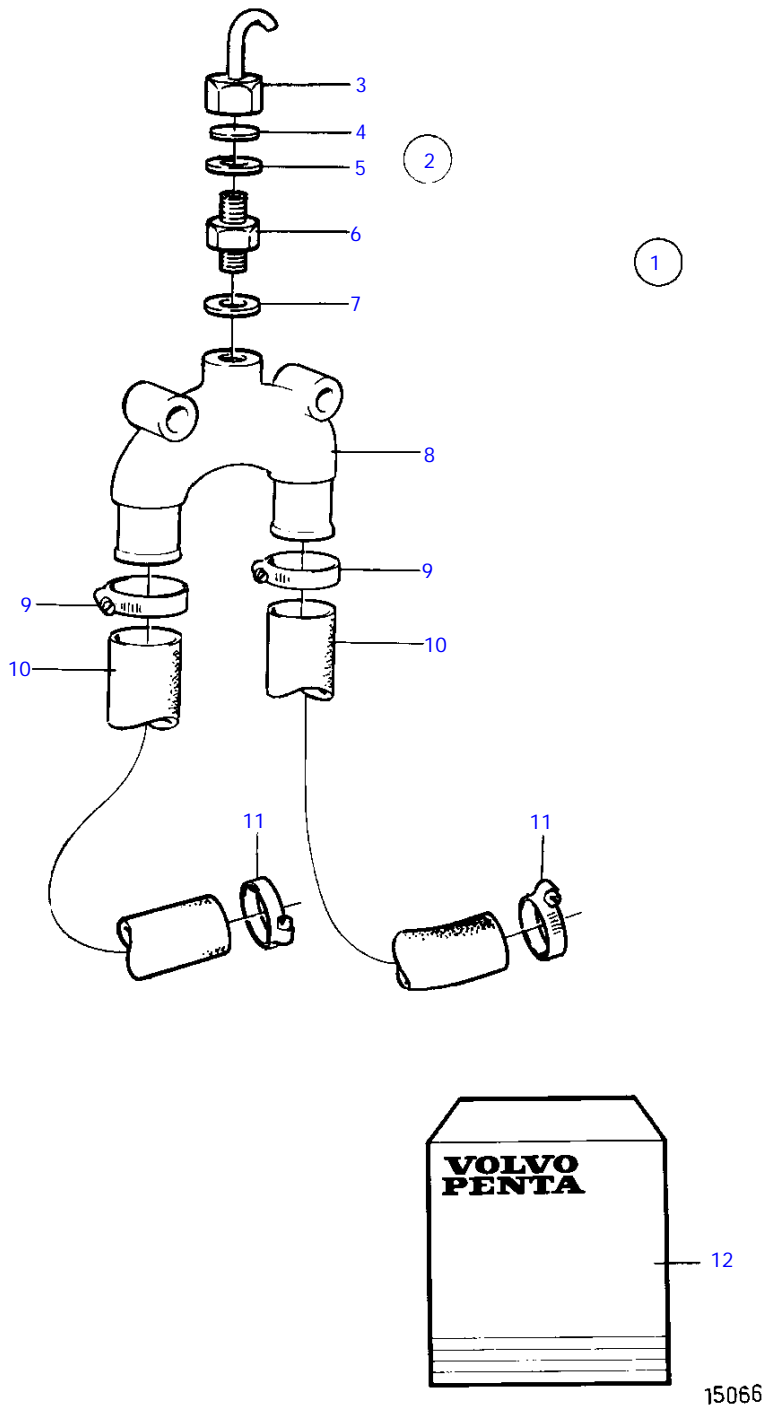


15065

D1-13A, D1-13B, D1-20A, D1-20B, D1-30A, D1-30B, D2-40A, D2-40B, D1-13F, D1-20F, D1-30F, D2-40F

REF	PART NO.	QTY	DESCRIPTION	NOTES
1	21219693	1	Sea water filter	
2	842924	1	* Strainer	
3	842723	1	* * Strainer	
4	842724	1	* * Sealing	
5	842982	1	* * Pressure plate	
6	842722	1	* * Cover	
7	847108	2	* Pipe retainer	
8	858986	2	* Sealing ring	
9	21211745	1	* Retainer	
10	3888859	1	* Connection pipe	Inlet
11	3888862	1	* Connection pipe	Outlet
12	955270	1	* Hexagon screw	
13	941906	1	* Spring washer	
14	965215	4	* Flange screw	(955296)
15	941907	4	* Spring washer	
16	952970	X	Hose	
17	961666	X	Hose clamp	

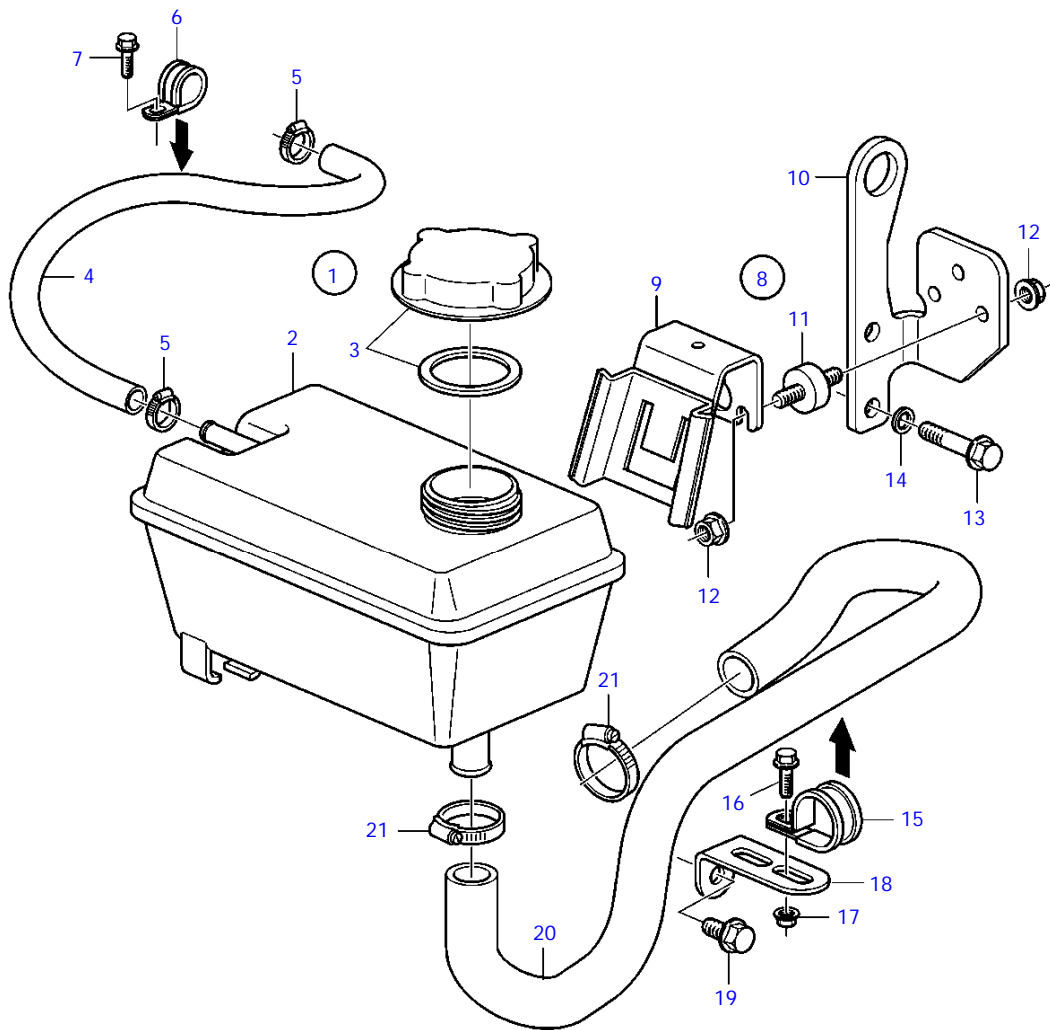
D1-13A, D1-13B, D1-20A, D1-20B, D1-30A, D1-30B, D2-40A, D2-40B, D1-13F, D1-20F, D1-30F, D2-40F



D1-13A, D1-13B, D1-20A, D1-20B, D1-30A, D1-30B, D2-40A, D2-40B, D1-13F, D1-20F, D1-30F, D2-40F

REF	PART NO.	QTY	DESCRIPTION	NOTES
1	861497	1	Kit	
2	828534	1	• Vacuum valve	
3	828533	1	• • Upper section	
4		2	• • Diaphragm	Included in overhaul kit.
5	828424	2	• • Gasket	Included in overhaul kit.
6	828266	1	• • Lower section	
7	947282	2	• • Gasket	Included in overhaul kit.
8		1	• Branch pipe	
9	961667	2	• Hose clamp	
10	952970	X	Hose	
11	961666	X	Hose clamp	
12	3818424	2	Repair kit	(875738)

D1-13A, D1-13B, D1-20A, D1-20B, D1-13F, D1-20F

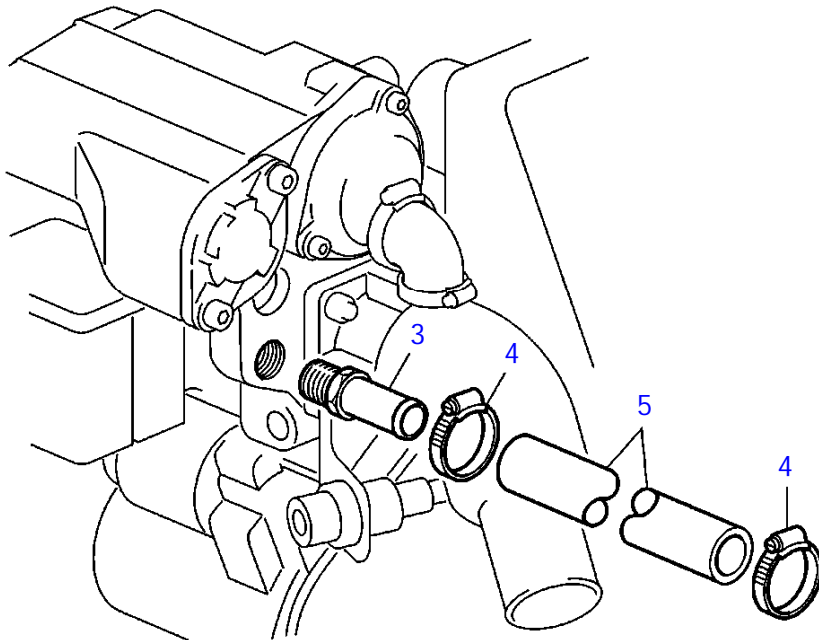
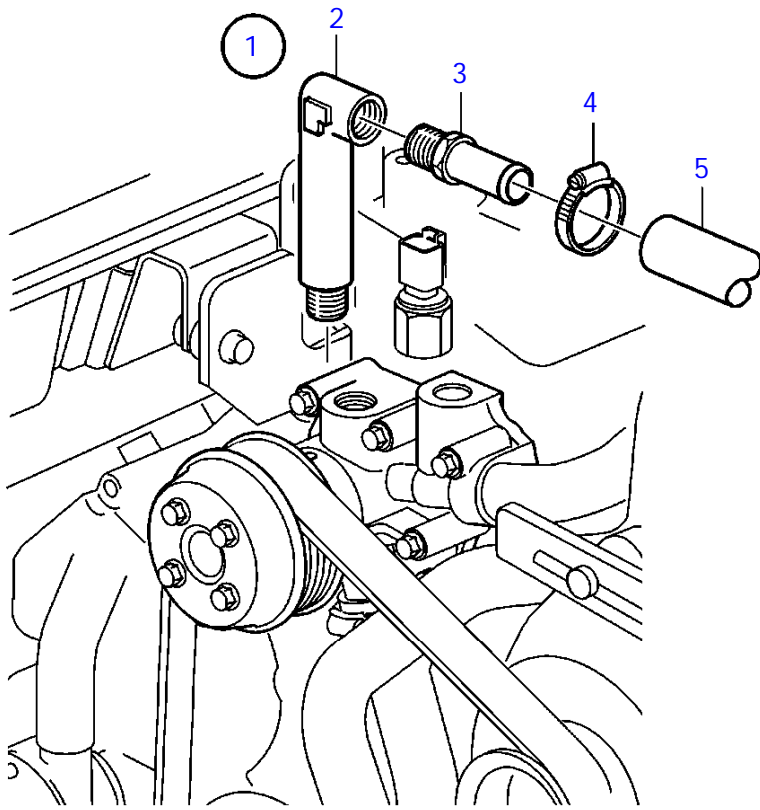


22945

D1-13A, D1-13B, D1-20A, D1-20B, D1-13F, D1-20F

REF	PART NO.	QTY	DESCRIPTION	NOTES
1	3840810	1	Expansion tank	
2		1	* Expansion tank	
3	1674083	1	* Pressure cap	
4	993304	1	Hose	Expansion tank - heat exchanger.
5	945652	2	Hose clamp	
6	949747	1	Clamp	
7	947107	1	Flange screw	
8	3842292	1	Bracket	D1-13A, D1-20A, D1-13B, D1-20B
	21190059	1	Bracket	D1-13F, D1-20F
9		1	* Bracket	
10		1	* * Bracket	
11	1348141	3	* Absorber	
12	945407	6	* Flange nut	
13	947760	2	Flange screw	
14	21246676	2	Washer	
15	952634	1	Clamp	
16	946544	1	Flange screw	
17	945407	1	Flange nut	
18	965555	1	Bracket	D1-13
	965558	1	Bracket	D1-20
19	946025	1	Flange screw	
20	3842034	1	Hose	Expansion tank - coolant pump.
21	961666	2	Hose clamp	D1-13
	961665	2	Hose clamp	D1-20A, D1-20B
	943475	2	Hose clamp	D1-20F

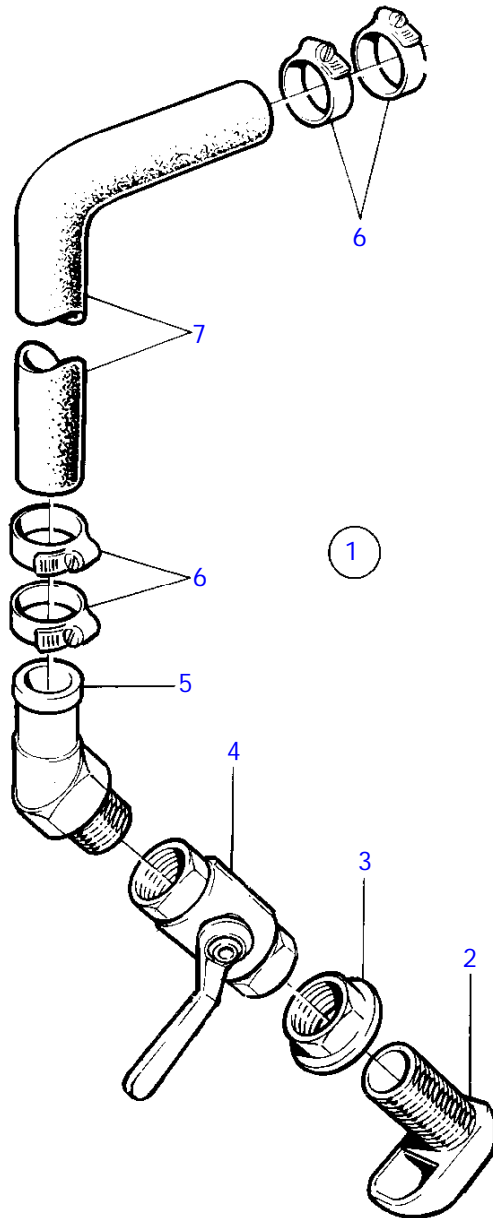
D1-13A, D1-13B, D1-20A, D1-20B, D1-30A, D1-30B, D2-40A, D2-40B, D1-13F, D1-20F, D1-30F, D2-40F



D1-13A, D1-13B, D1-20A, D1-20B, D1-30A, D1-30B, D2-40A, D2-40B, D1-13F, D1-20F, D1-30F, D2-40F

REF	PART NO.	QTY	DESCRIPTION
1	3841173	1	Connector kit
2	3842929	1	* Elbow nipple
3	976040	2	* Hose nipple
4	961665	4	Hose clamp
5	952969	X	Hose

D1-13A, D1-13B, D1-20A, D1-20B, D1-30A, D1-30B, D2-40A, D2-40B, D1-13F, D1-20F, D1-30F, D2-40F

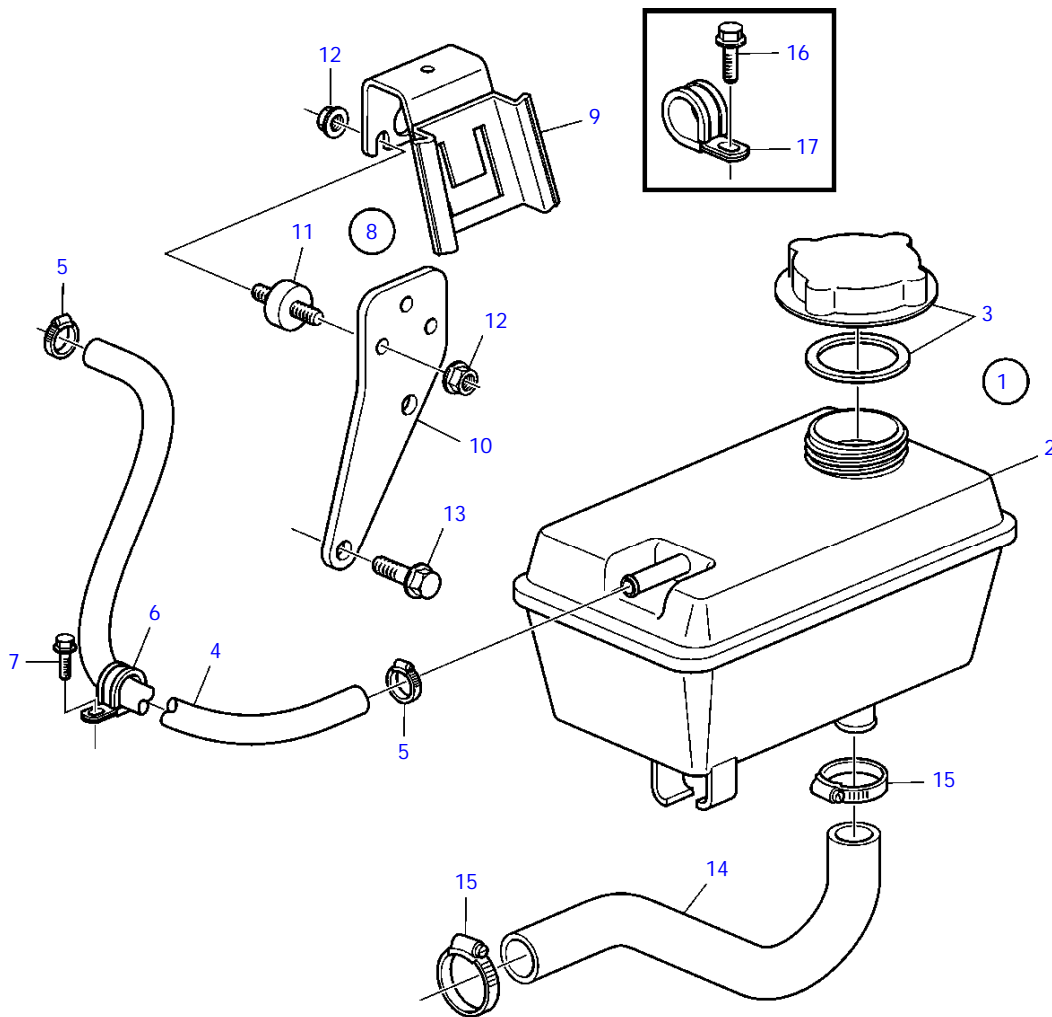


9574

D1-13A, D1-13B, D1-20A, D1-20B, D1-30A, D1-30B, D2-40A, D2-40B, D1-13F, D1-20F, D1-30F, D2-40F

REF	PART NO.	QTY	DESCRIPTION	NOTES
1	861495	1	Coolant pipe	19-1/2"
2	836874	1	* Strainer	
3	807595	1	* Nut	
4	1140097	1	* Ball valve	D=15mm
5	861465	1	* Hose attachment	60°
6	961667	2	* Hose clamp	
7	952969	X	Hose	

D1-30A, D1-30B, D2-40A, D2-40B, D1-30F, D2-40F

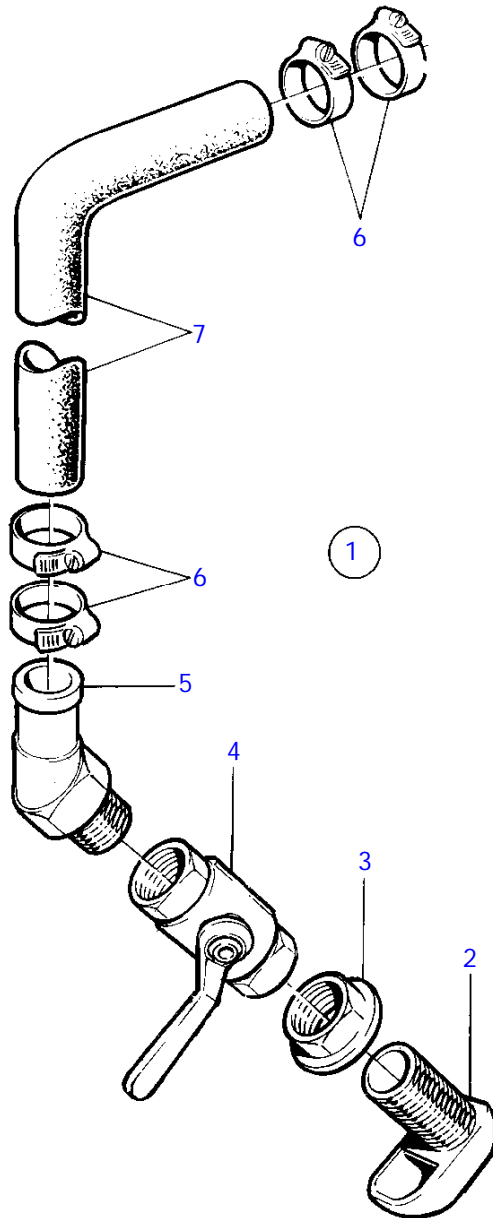


22656

D1-30A, D1-30B, D2-40A, D2-40B, D1-30F, D2-40F

REF	PART NO.	QTY	DESCRIPTION	NOTES
1	3840810	1	Expansion tank	
2		1	* Expansion tank	
3	1674083	1	* Pressure cap	
4	993304	1	Hose	Expansion tank - heat exchanger.
5	945652	2	Hose clamp	
6	949747	1	Clamp	
7	946173	1	Flange screw	
8	3884294	1	Bracket	D1-30A, D1-30B, D2-40A, D2-40B
	21192322	1	Bracket	D1-30F, D2-40F
9		1	* Bracket	
10		1	* Bracket	
11	1348141	3	* Absorber	
12	945407	6	* Flange nut	
13	946173	2	Flange screw	
14	3812884	1	Hose	Expansion tank - coolant pump.
15	961665	2	Hose clamp	
16	946544	1	Flange screw	
17	952635	1	Clamp	

D2-40A, D2-40B, D2-40F

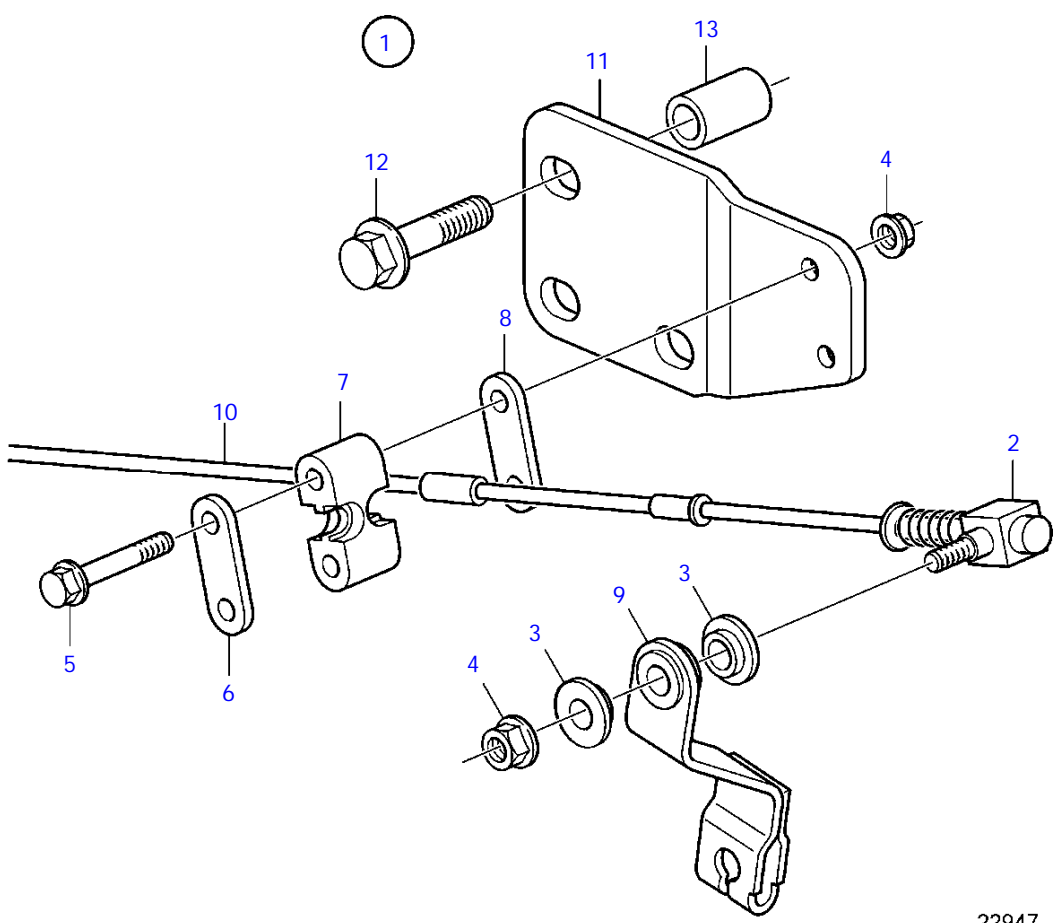


9574

D2-40A, D2-40B, D2-40F

REF	PART NO.	QTY	DESCRIPTION	NOTES
1	861496	1	Coolant pipe	19mm / 0.77"
2	836876	1	• Strainer	
3	836879	1	• Nut	
4	1140125	1	• Ball valve	D=25mm
5	861466	1	• Hose attachment	45°
6	961667	2	• Hose clamp	
7	952970	X	Hose	

D1-13A, D1-13B



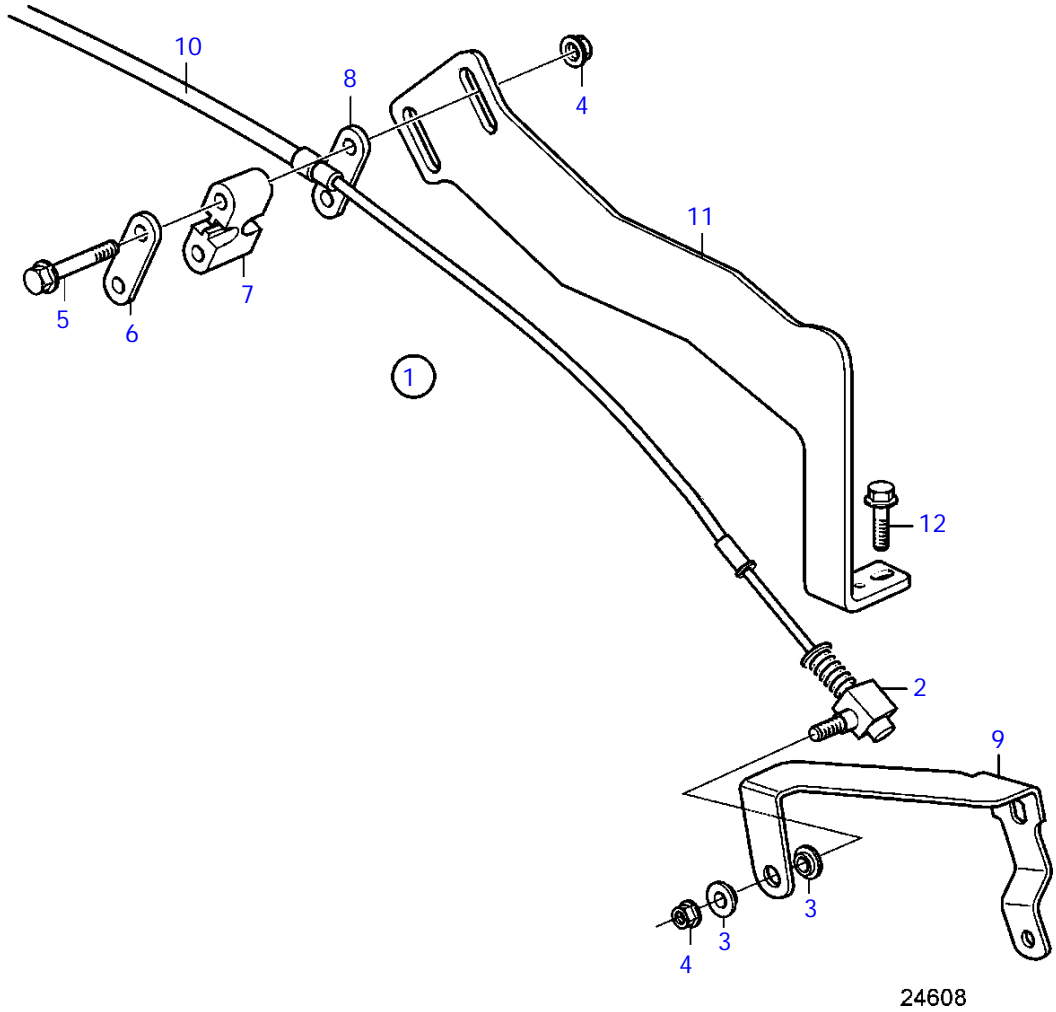
22947



D1-13A, D1-13B

REF	PART NO.	QTY	DESCRIPTION	SEE SEC.
1	3841287	1	Connector kit	
2	840692	1	* Cube	
3	843105	2	* Spacer washer	
4	949874	3	* Flange lock nut	
5	969439	2	* 6 point socket screw	
6	819068	1	* Washer	
7	872074	1	* Retainer	
8	872076	1	* Washer	
9	3580036	1	Intermediate lever	
10		1	Control cable	231
11	3843137	1	Bracket	
12	965220	3	Flange screw	
13	827861	3	Spacer sleeve	

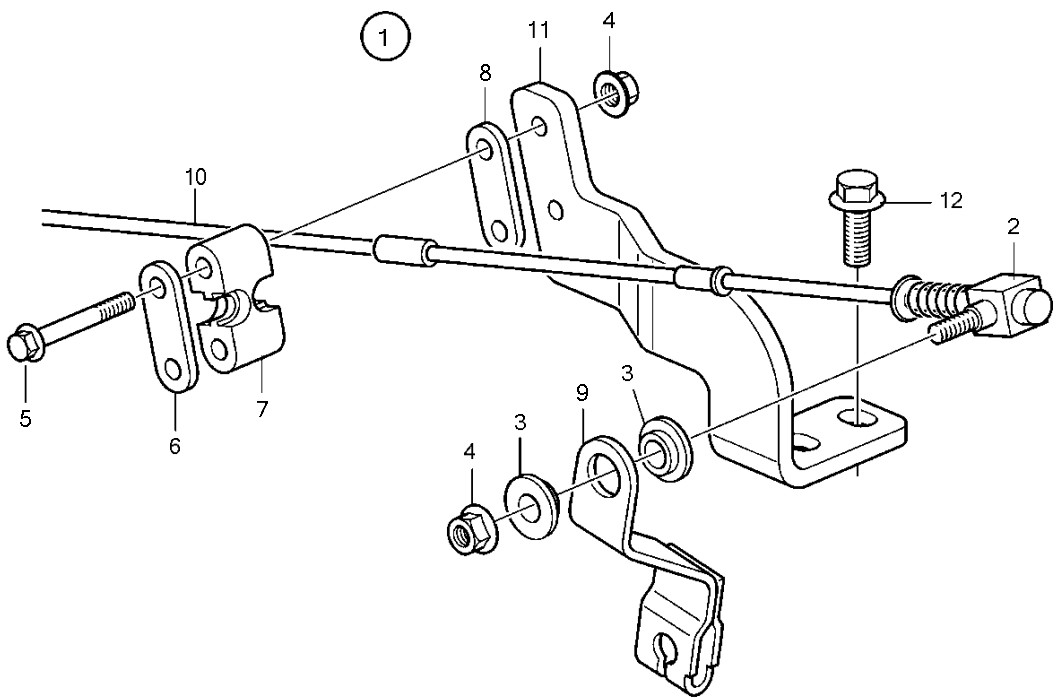
D1-13F



D1-13F

REF	PART NO.	QTY	DESCRIPTION	SEE SEC.
1	3841287	1	Connector kit	
2	840692	1	* Cube	
3	843105	2	* Spacer washer	
4	949874	3	* Flange lock nut	
5	969439	2	* 6 point socket screw	
6	819068	1	* Washer	
7	872074	1	* Retainer	
8	872076	1	* Washer	
9			Lever	35197
10		1	Control cable	231
11	40005232	1	Support arm	
12	965220	3	Flange screw	

D1-20A, D1-20B



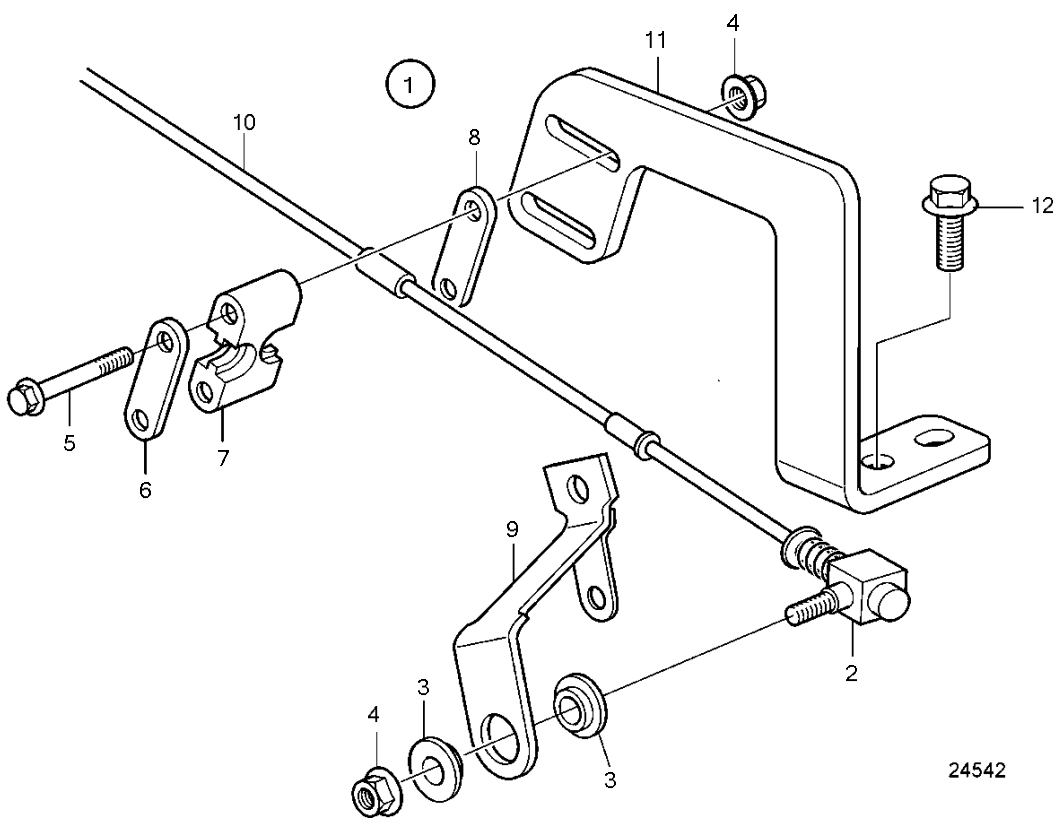
24191



D1-20A, D1-20B

REF	PART NO.	QTY	DESCRIPTION	SEE SEC.
1	3841287	1	Connector kit	
2	840692	1	* Cube	
3	843105	2	* Spacer washer	
4	949874	3	* Flange lock nut	
5	969439	2	* 6 point socket screw	
6	819068	1	* Washer	
7	872074	1	* Retainer	
8	872076	1	* Washer	
9	3580036	1	Intermediate lever	
10		1	Control cable	231
11	3817482	1	Bracket	
12	946440	2	Flange screw	

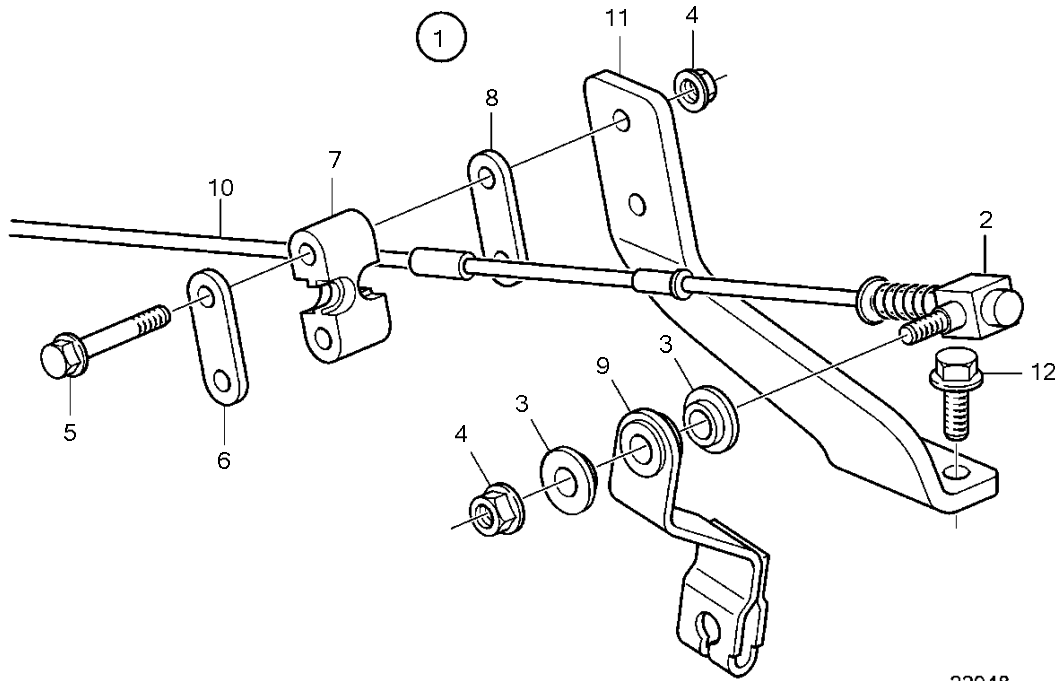
D1-20F



D1-20F

REF	PART NO.	QTY	DESCRIPTION	SEE SEC.
1	3841287	1	Connector kit	
2	840692	1	* Cube	
3	843105	2	* Spacer washer	
4	949874	3	* Flange lock nut	
5	969439	2	* 6 point socket screw	
6	819068	1	* Washer	
7	872074	1	* Retainer	
8	872076	1	* Washer	
9			Lever	35198
10		1	Control cable	231
11	40005234	1	Support arm	
12	946440	2	Flange screw	

D1-30A, D1-30B

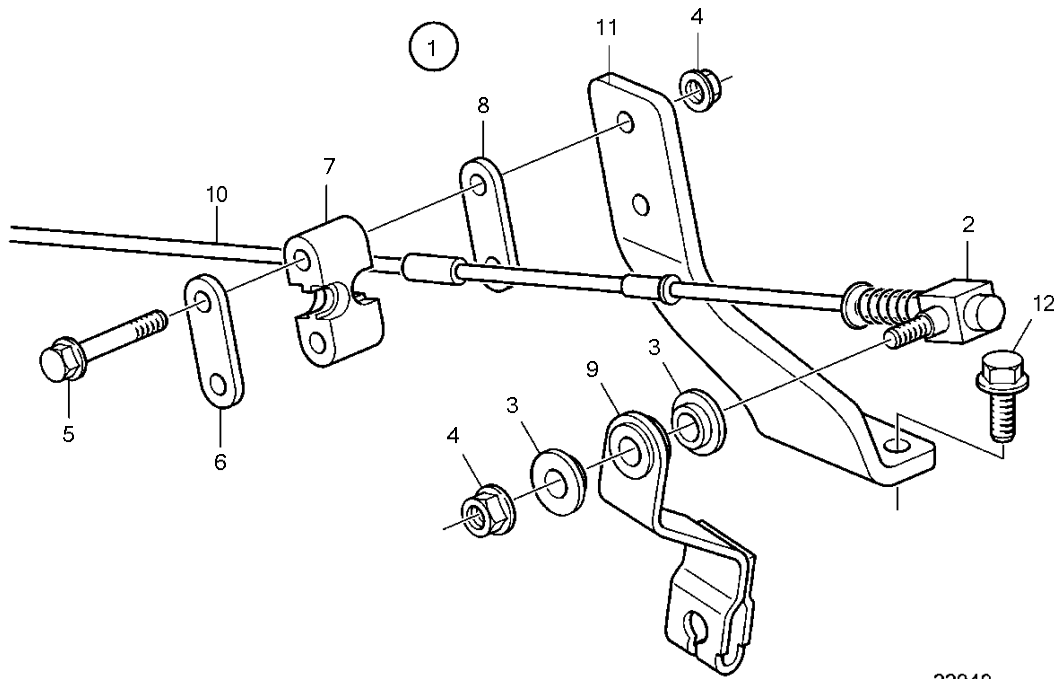


22948

D1-30A, D1-30B

REF	PART NO.	QTY	DESCRIPTION	SEE SEC.
1	3841287	1	Connector kit	
2	840692	1	* Cube	
3	843105	2	* Spacer washer	
4	949874	3	* Flange lock nut	
5	969439	2	* 6 point socket screw	
6	819068	1	* Washer	
7	872074	1	* Retainer	
8	872076	1	* Washer	
9	3580036	1	Intermediate lever	
10		1	Control cable	231
11	3817095	1	Bracket	
12	946440	2	Flange screw	

D2-40A, D2-40B

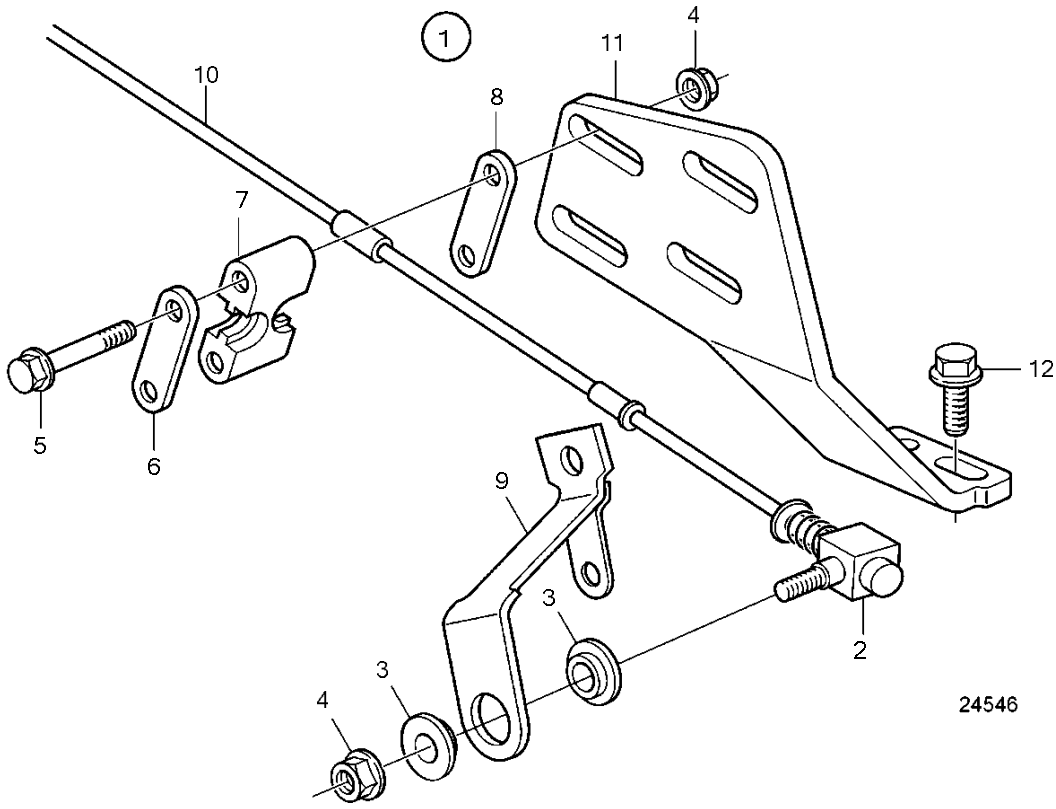


22949

D2-40A, D2-40B

REF	PART NO.	QTY	DESCRIPTION	SEE SEC.
1	3841287	1	Connector kit	
2	840692	1	* Cube	
3	843105	2	* Spacer washer	
4	949874	3	* Flange lock nut	
5	969439	2	* 6 point socket screw	
6	819068	1	* Washer	
7	872074	1	* Retainer	
8	872076	1	* Washer	
9	3580036	1	Intermediate lever	
10		1	Control cable	231
11	3817097	1	Bracket	
12	946440	2	Flange screw	

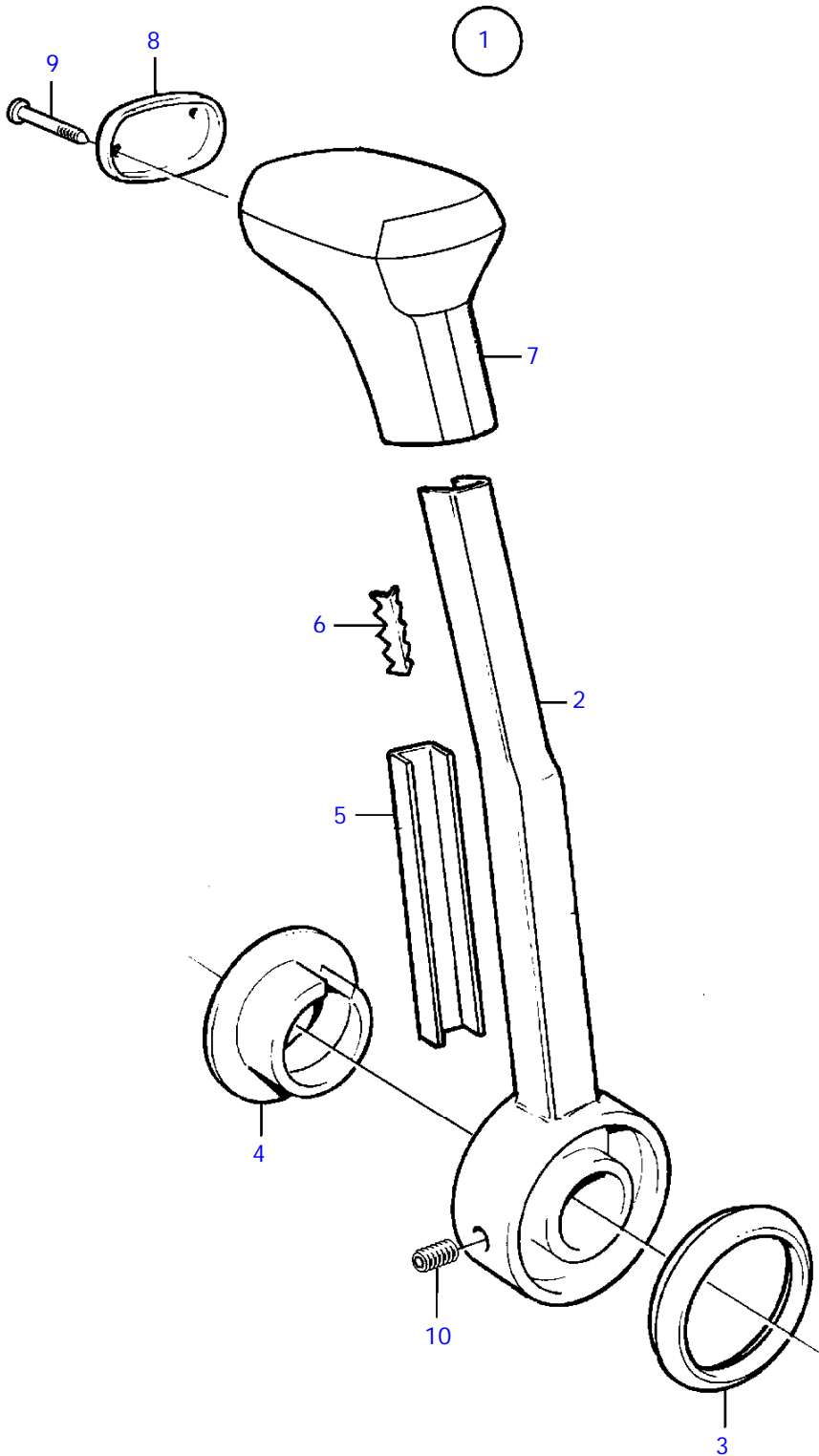
D1-30F, D2-40F



D1-30F, D2-40F

REF	PART NO.	QTY	DESCRIPTION	SEE SEC.
1	3841287	1	Connector kit	
2	840692	1	* Cube	
3	843105	2	* Spacer washer	
4	949874	3	* Flange lock nut	
5	969439	2	* 6 point socket screw	
6	819068	1	* Washer	
7	872074	1	* Retainer	
8	872076	1	* Washer	
9	21187771	1	Intermediate lever	
10		1	Control cable	231
11	21138264	1	Support arm	
12	946440	2	Flange screw	

D1-13A, D1-13B, D1-20A, D1-20B, D1-30A, D1-30B, D2-40A, D2-40B, D1-13F, D1-20F, D1-30F, D2-40F

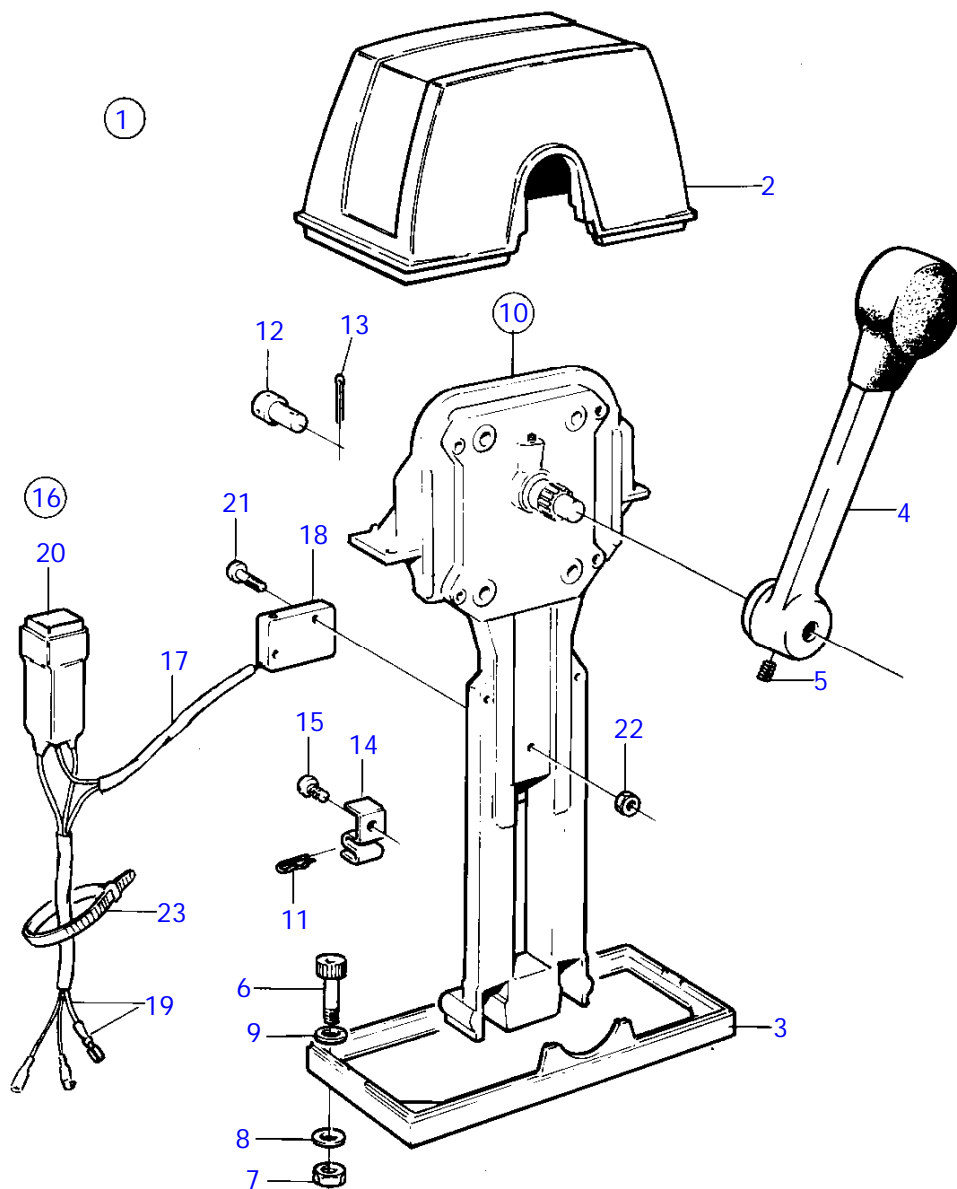


18645

D1-13A, D1-13B, D1-20A, D1-20B, D1-30A, D1-30B, D2-40A, D2-40B, D1-13F, D1-20F, D1-30F, D2-40F

REF	PART NO.	QTY	DESCRIPTION	NOTES
1	852347	1	Hand lever	
2	828911	1	* Hand lever	
3	852995	1	* Ring	
4	853004	1	* Push button	
5	852991	1	* Rail	
6	853000	1	* Striker plate	
7	852989	1	* Handle	
8	3818554	1	* Cardboard tube	(852992)
9	853003	2	* Nail	
10	963678	1	* Hex. socket screw	

D1-13A, D1-13B, D1-20A, D1-20B, D1-30A, D1-30B, D2-40A, D2-40B, D1-13F, D1-20F, D1-30F, D2-40F

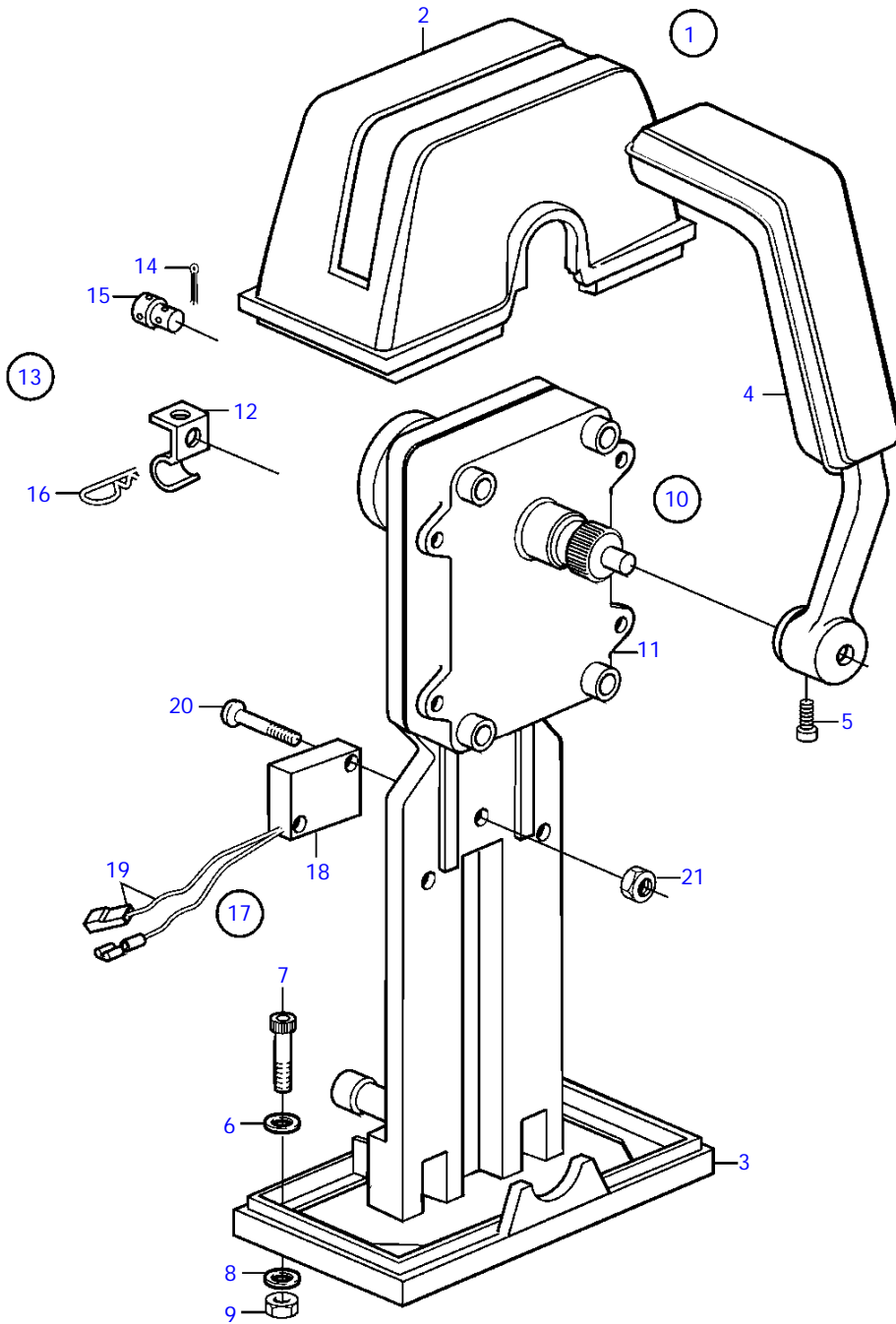


8862

D1-13A, D1-13B, D1-20A, D1-20B, D1-30A, D1-30B, D2-40A, D2-40B, D1-13F, D1-20F, D1-30F, D2-40F

REF	PART NO.	QTY	DESCRIPTION	SEE SEC.	NOTES
1	1140022	1	Mounting kit		
2	850823	1	* Cover		
3	839474	1	* Plate		
4	839521	1	* Hand lever		
5	839693	1	* Lock screw		
6	947671	4	* Hex. socket screw		
7	955780	4	* Hexagon nut		
8	960138	4	* Washer		
9	940090	2	* Washer		
10	851600	1	Control		
11	852924	1	* Clip		
12	839638	2	* Cube		
13	17253	2	* Split pin		
14	853423	1	* Retainer		
15	839664	1	* Screw		
16	855352	1	Neutral position con		
17	(839619)	1	* Cable kit		Obsolete part
18	850200	1	* • Toggle switch		
19		X	* • cables and terminals	1963	
20	876037	1	* Relay kit		
21	946177	2	* Cross recessed screw		
22	947536	2	* Hexagon nut		
23	948211	X	* Cable tie		

D1-13A, D1-13B, D1-20A, D1-20B, D1-30A, D1-30B, D2-40A, D2-40B, D1-13F, D1-20F, D1-30F, D2-40F

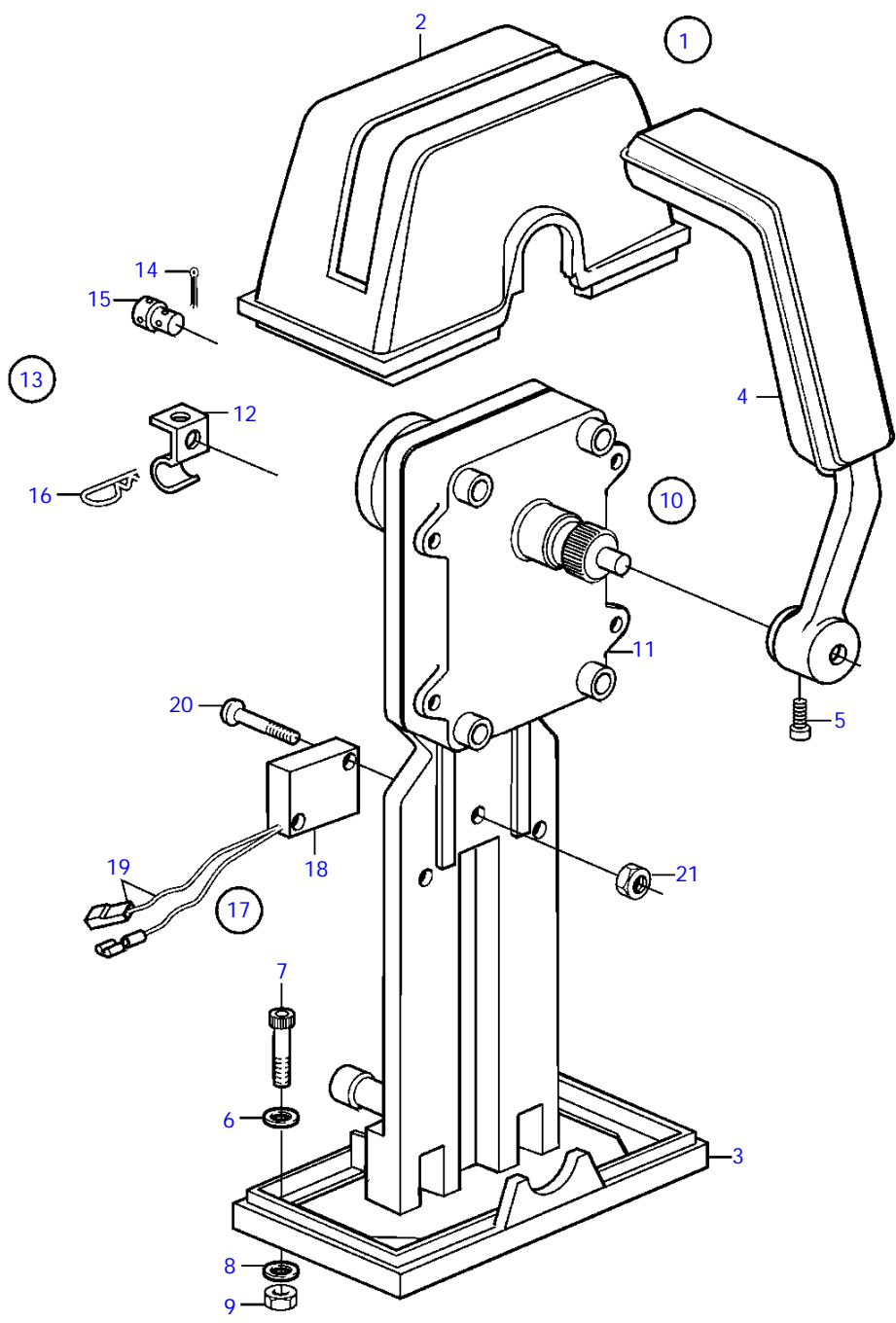


18507

D1-13A, D1-13B, D1-20A, D1-20B, D1-30A, D1-30B, D2-40A, D2-40B, D1-13F, D1-20F, D1-30F, D2-40F

REF	PART NO.	QTY	DESCRIPTION	SEE SEC.	NOTES
1	851602	1	Mounting kit		
2	850823	1	* Cover		(839472)
3	839474	1	* Plate		
4	839475	1	* Hand lever		
5	839693	1	* Lock screw		
6	940090	2	* Washer		
7	947671	4	* Hex. socket screw		
8	960138	4	* Washer		
9	955780	4	* Hexagon nut		
10	851600	1	Control		
11	(851666)	1	* Control mechanism		Obsolete part
12	853423	1	* Retainer		
13	(851712)	1	* Connector kit		Obsolete part
14	17253	2	* * Split pin		
15	839638	2	* * Cube		
16	852924	1	* * Clip		
17	855352	1	Neutral position con		
18	850200	1	* Toggle switch		
19		X	* * cables and terminals	1963	
20	946177	2	* Cross recessed screw		
21	947536	2	* Hexagon nut		

D1-13A, D1-13B, D1-20A, D1-20B, D1-30A, D1-30B, D2-40A, D2-40B, D1-13F, D1-20F, D1-30F, D2-40F



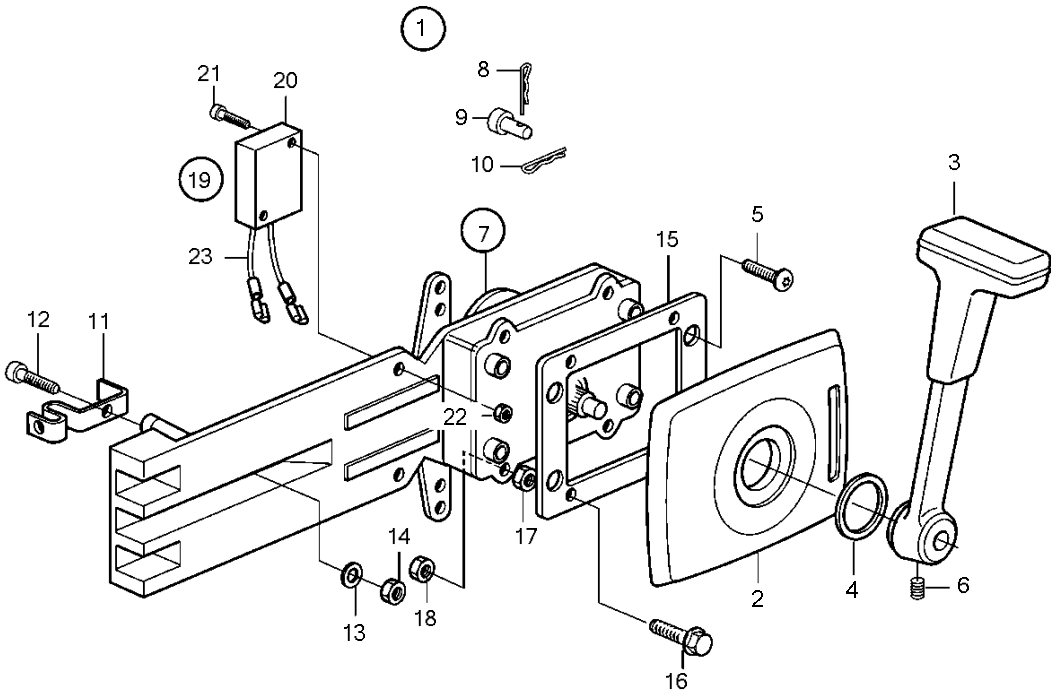
18507



D1-13A, D1-13B, D1-20A, D1-20B, D1-30A, D1-30B, D2-40A, D2-40B, D1-13F, D1-20F, D1-30F, D2-40F

REF	PART NO.	QTY	DESCRIPTION	SEE SEC.	NOTES
1	851603	1	Mounting kit		
2	850824	1	* Cover		(839477)
3	839479	1	* Plate		
4	839475	2	* Hand lever		
5	839693	2	* Lock screw		
6	940090	2	* Washer		
7	947671	6	* Hex. socket screw		
8	960138	6	* Washer		
9	955780	6	* Hexagon nut		
10	851600	2	Control		
11	(851666)	2	* Control mechanism		Obsolete part
12	853423	2	* Retainer		
13	(851712)	2	* Connector kit		Obsolete part
14	17253	4	* * Split pin		
15	839638	4	* * Cube		
16	852924	2	* * Clip		
17	855352	2	Neutral position con		
18	850200	2	* Toggle switch		
19		X	* * cables and terminals	1963	
20	946177	4	* Cross recessed screw		
21	947536	4	* Hexagon nut		

D1-13A, D1-13B, D1-20A, D1-20B, D1-30A, D1-30B, D2-40A, D2-40B, D1-13F, D1-20F, D1-30F, D2-40F

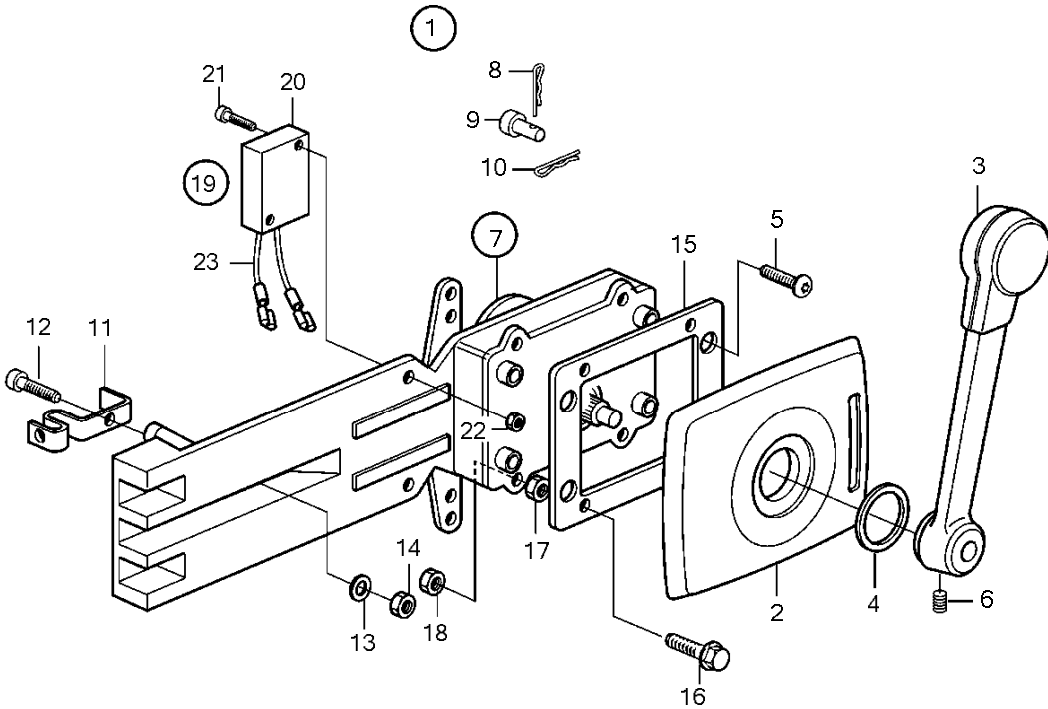


22853

D1-13A, D1-13B, D1-20A, D1-20B, D1-30A, D1-30B, D2-40A, D2-40B, D1-13F, D1-20F, D1-30F, D2-40F

REF	PART NO.	QTY	DESCRIPTION	SEE SEC.
1	1140092	1	Mounting kit	
2	853713	1	* Cover	
3	839520	1	* Hand lever	
4	1140094	1	* Washer	
5	961330	4	* Cross recessed screw	
6	839693	1	* Lock screw	
7	1140095	1	Control mechanism	
8	17253	2	* Split pin	
9	839638	2	* Cube	
10	852924	1	* Clip	
11	853423	1	* Retainer	
12	839664	1	* Screw	
13	940275	1	* Washer	
14	946435	1	* Lock nut	
15		1	* Attaching plate	
16	963548	4	* Hexagon screw	
17		4	* Nut	
18	946435	4	* Lock nut	
19	855352	1	Neutral position con	
20	850200	1	* Toggle switch	
21	946177	2	* Cross recessed screw	
22	947536	2	* Hexagon nut	
23		X	* cables and terminals	1963

D1-13A, D1-13B, D1-20A, D1-20B, D1-30A, D1-30B, D2-40A, D2-40B, D1-13F, D1-20F, D1-30F, D2-40F

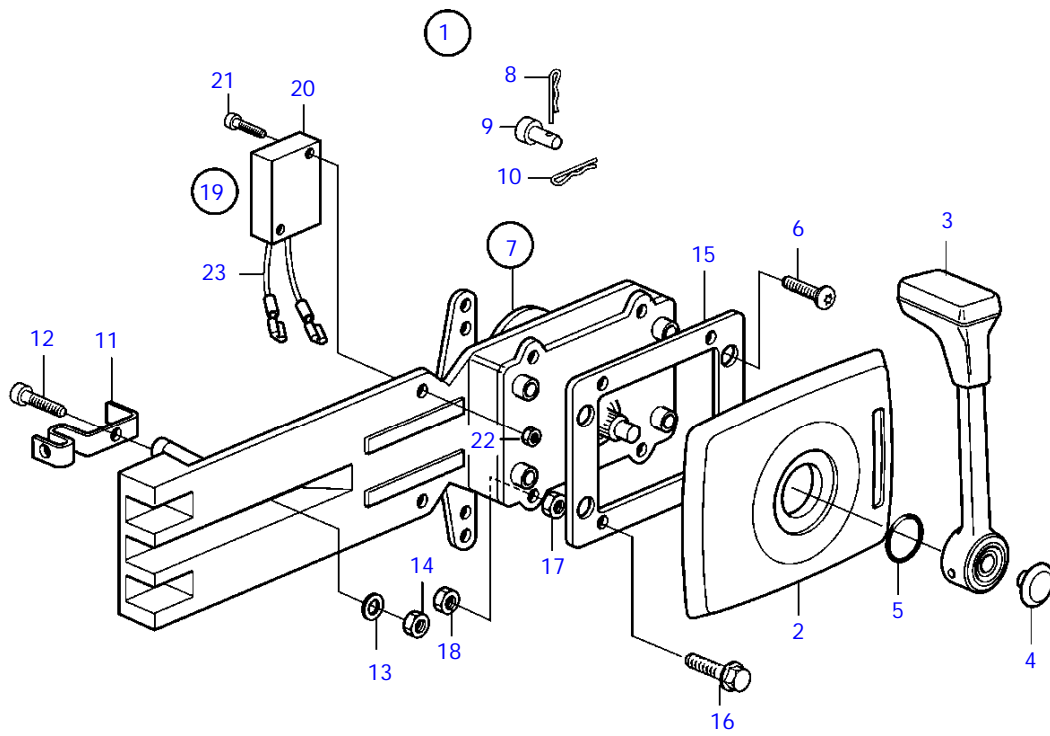


22854

D1-13A, D1-13B, D1-20A, D1-20B, D1-30A, D1-30B, D2-40A, D2-40B, D1-13F, D1-20F, D1-30F, D2-40F

REF	PART NO.	QTY	DESCRIPTION	SEE SEC.
1	1140093	1	Mounting kit	
2	853713	1	* Cover	
3	839521	1	* Hand lever	
4	1140094	1	* Washer	
5	961330	4	* Cross recessed screw	
6	839693	1	* Lock screw	
7	1140095	1	Control mechanism	
8	17253	2	* Split pin	
9	839638	2	* Cube	
10	852924	1	* Clip	
11	853423	1	* Retainer	
12	839664	1	* Screw	
13	940275	1	* Washer	
14	946435	1	* Lock nut	
15		1	* Attaching plate	
16	963548	4	* Hexagon screw	
17		4	* Nut	
18	946435	4	* Lock nut	
19	855352	1	Neutral position con	
20	850200	1	* Toggle switch	
21	946177	2	* Cross recessed screw	
22	947536	2	* Hexagon nut	
23		X	* cables and terminals	1963

D1-13A, D1-13B, D1-20A, D1-20B, D1-30A, D1-30B, D2-40A, D2-40B, D1-13F, D1-20F, D1-30F, D2-40F

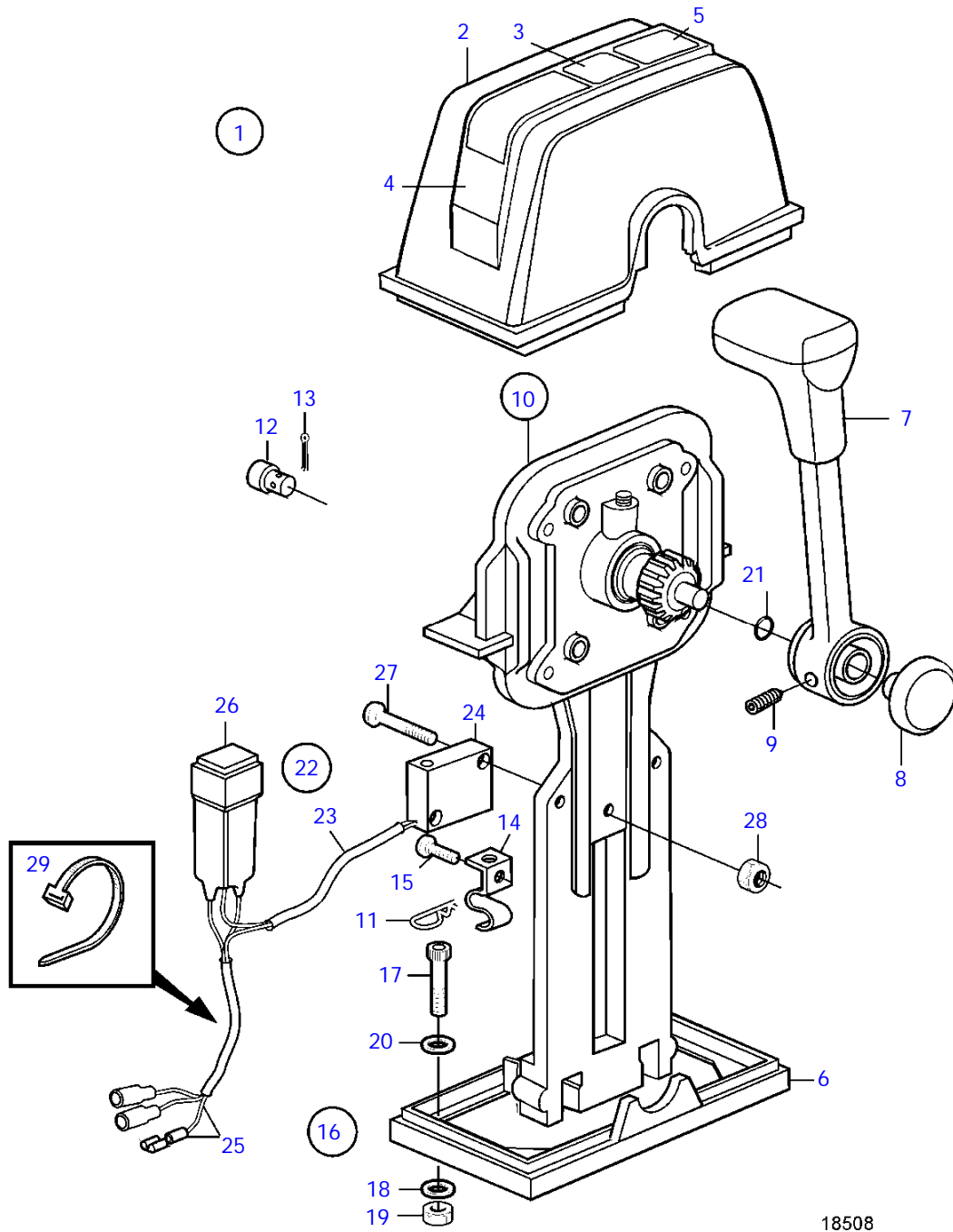


22852

D1-13A, D1-13B, D1-20A, D1-20B, D1-30A, D1-30B, D2-40A, D2-40B, D1-13F, D1-20F, D1-30F, D2-40F

REF	PART NO.	QTY	DESCRIPTION	SEE SEC.
1	1140090	1	Mounting kit	
2	853713	1	* Cover	
3	852347	1	* Hand lever	
			* *	
			*	266
4	853004	1	* Push button	
5	925058	1	* O-ring	
6	961330	4	* Cross recessed screw	
7	1140095	1	Control mechanism	
8	17253	2	* Split pin	
9	839638	2	* Cube	
10	852924	1	* Clip	
11	853423	1	* Retainer	
12	839664	1	* Screw	
13	940275	1	* Washer	
14	946435	1	* Lock nut	
15		1	* Attaching plate	
16	963548	4	* Hexagon screw	
17		4	* Nut	
18	946435	4	* Lock nut	
19	855352	1	Neutral position con	
20	850200	1	* Toggle switch	
21	946177	2	* Cross recessed screw	
22	947536	2	* Hexagon nut	
23		X	* cables and terminals	1963

D1-13A, D1-13B, D1-20A, D1-20B, D1-30A, D1-30B, D2-40A, D2-40B, D1-13F, D1-20F, D1-30F, D2-40F

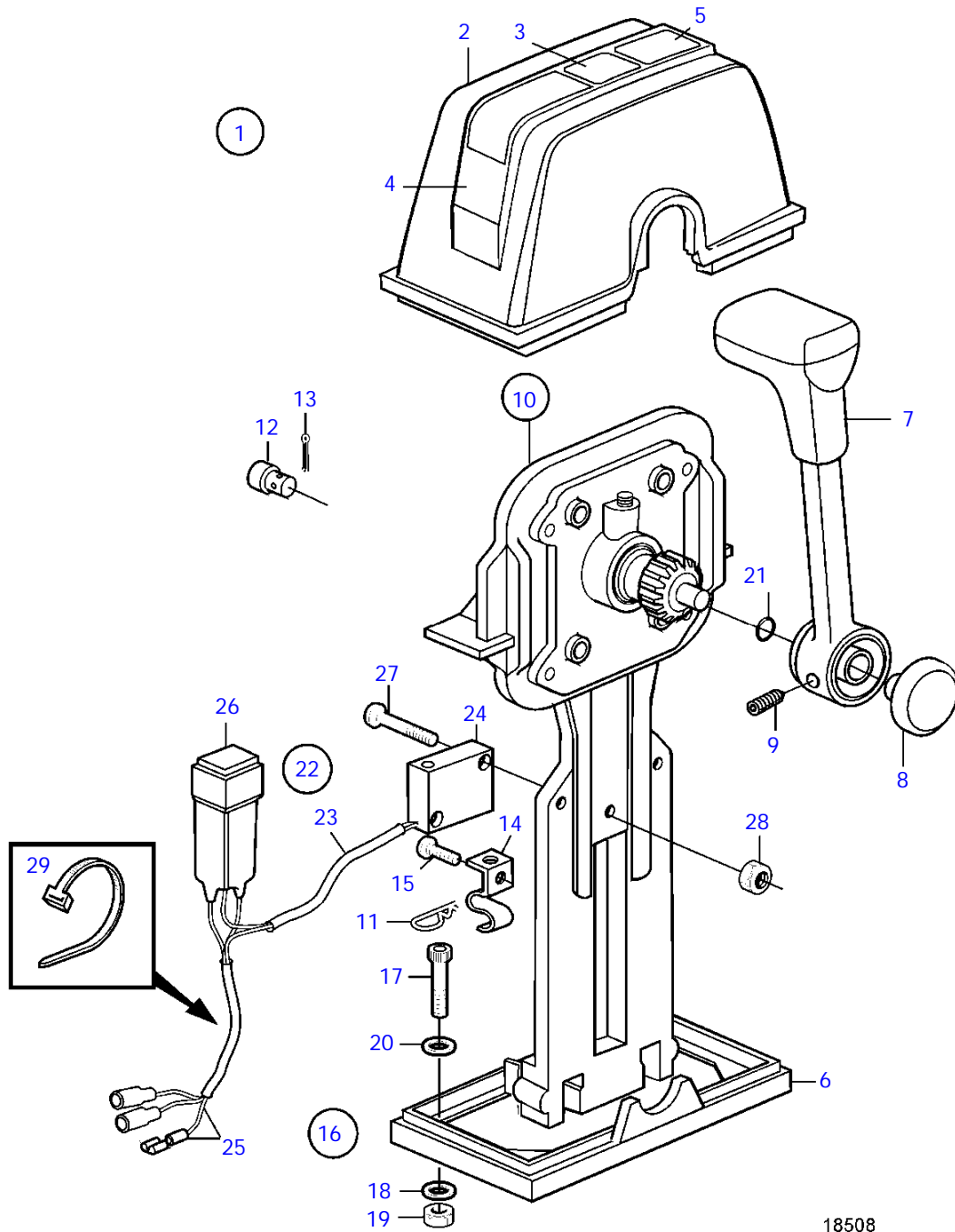


18508

D1-13A, D1-13B, D1-20A, D1-20B, D1-30A, D1-30B, D2-40A, D2-40B, D1-13F, D1-20F, D1-30F, D2-40F

REF	PART NO.	QTY	DESCRIPTION	SEE SEC.	NOTES
1	853168	1	Mounting kit		For single installation.
2	1140046	1	* Cover		
3	851896	2	* * Decal		
4	(851892)	1	* * Crossbar		Obsolete part
5		1	* * Decal		
6	839474	1	* * Plate		
7	852347	1	* Hand lever		
			* *		
			*	266	
8		1	* * Push button		Included in complete handle.
9		1	* * Screw		Included in complete handle.
10	851600	1	Control		
11	852924	1	* Clip		
12	839638	1	* Cube		
13	17253	1	* Split pin		
14	853423	1	* Retainer		
15	839664	1	* Screw		
16		1	* Screw kit		
17	947671	4	* * Hex. socket screw		
18	960138	4	* * Washer		
19	955780	4	* * Hexagon nut		
20	940090	4	* * Washer		
21	925058	1	* O-ring		
22	855352	1	Neutral position con		
23	(839619)	1	* Cable kit		Obsolete part
24	850200	1	* * Toggle switch		
25		X	* * cables and terminals	1963	
26	876037	1	* Relay kit		
27	946177	2	* Cross recessed screw		
28	947536	2	* Hexagon nut		
29	948211	X	* Cable tie		

D1-13A, D1-13B, D1-20A, D1-20B, D1-30A, D1-30B, D2-40A, D2-40B, D1-13F, D1-20F, D1-30F, D2-40F

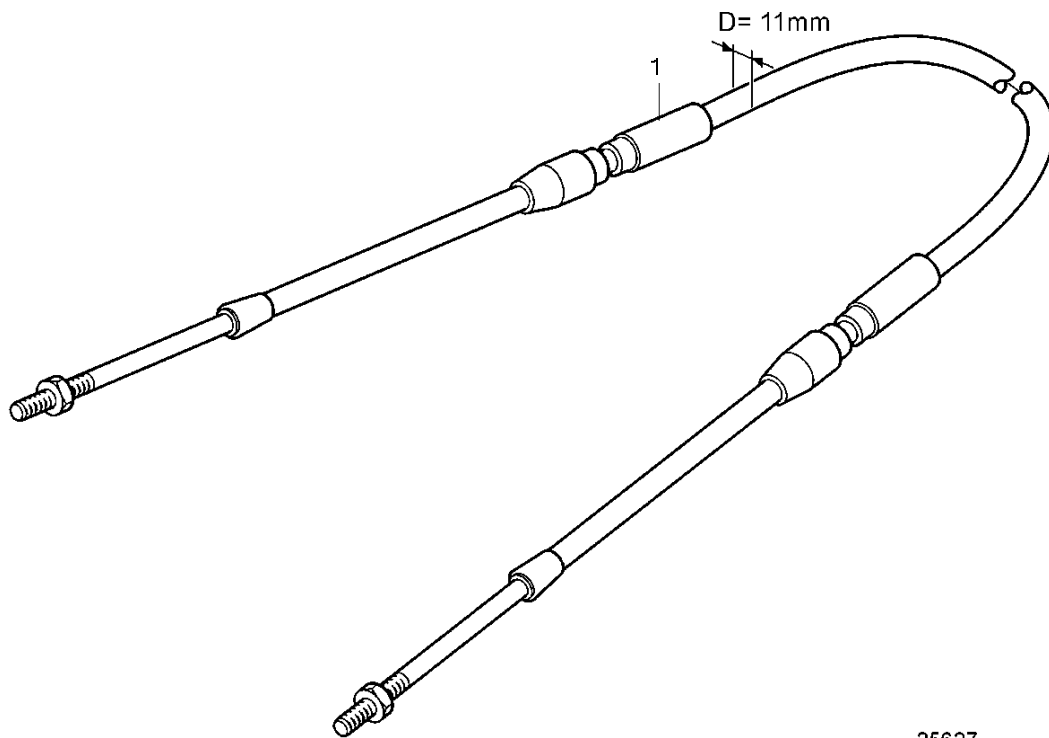


18508

D1-13A, D1-13B, D1-20A, D1-20B, D1-30A, D1-30B, D2-40A, D2-40B, D1-13F, D1-20F, D1-30F, D2-40F

REF	PART NO.	QTY	DESCRIPTION	SEE SEC.	NOTES
1	853169	1	Mounting kit		For twin installation.
2	851881	1	* Cover		
3	(851895)	2	* * Decal		Obsolete part
4		1	* * Crossbar		
5	851897	1	* * Decal		
6	839479	1	* * Plate		
7	852347	2	* Hand lever		
			* *		
			*	266	
8		2	* * Push button		Included in complete handle.
9		2	* * Screw		Included in complete handle.
10	851600	2	Control		
11	852924	2	* Clip		
12	839638	2	* Cube		
13	17253	2	* Split pin		
14	853423	2	* Retainer		
15	839664	2	* Screw		
16		1	* Screw kit		
17	947671	4	* * Hex. socket screw		
18	960138	4	* * Washer		
19	955780	4	* * Hexagon nut		
20	940090	4	* * Washer		
21	925058	2	* O-ring		
22	855352	2	Neutral position con		
23	(839619)	2	* Cable kit		Obsolete part
24	850200	2	* * Toggle switch		
25		X	* * cables and terminals	1963	
26	876037	2	* Relay kit		
27	946177	4	* Cross recessed screw		
28	947536	4	* Hexagon nut		
29	948211	X	* Cable tie		

D1-13A, D1-13B, D1-20A, D1-20B, D1-30A, D1-30B, D2-40A, D2-40B, D1-13F, D1-20F, D1-30F, D2-40F

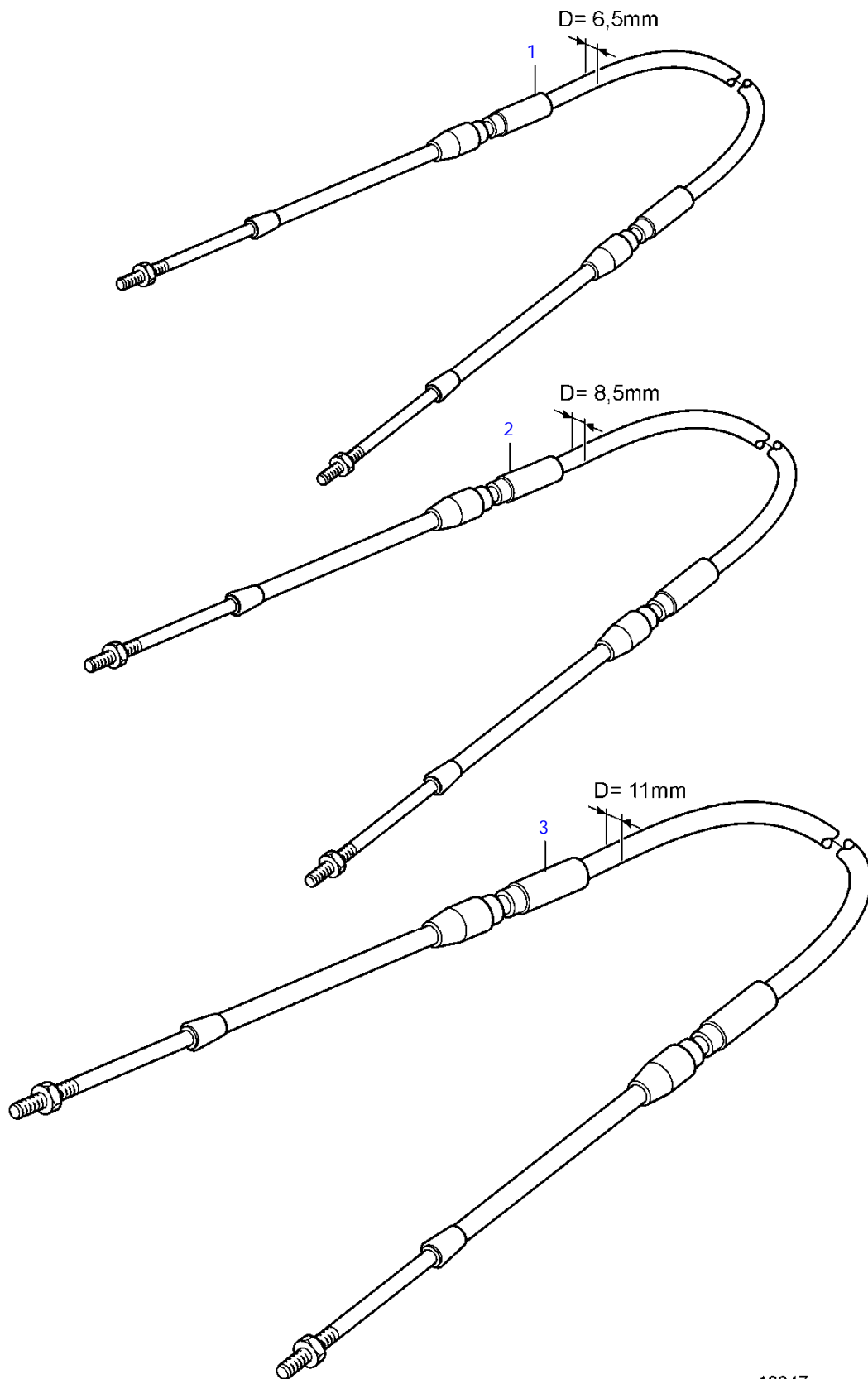


25627

D1-13A, D1-13B, D1-20A, D1-20B, D1-30A, D1-30B, D2-40A, D2-40B, D1-13F, D1-20F, D1-30F, D2-40F

REF	PART NO.	QTY	DESCRIPTION	NOTES
1	21633515	1	Control cable	44ft, L=13.40m
	21633516	1	Control cable	45ft, L=13.70m
	21633517	1	Control cable	46ft, L=14.00m
	21633518	1	Control cable	47ft, L=14.30m
	21633519	1	Control cable	48ft, L=14.60m
	21633520	1	Control cable	49ft, L=14.90m
	21633521	1	Control cable	50ft, L=15.20m

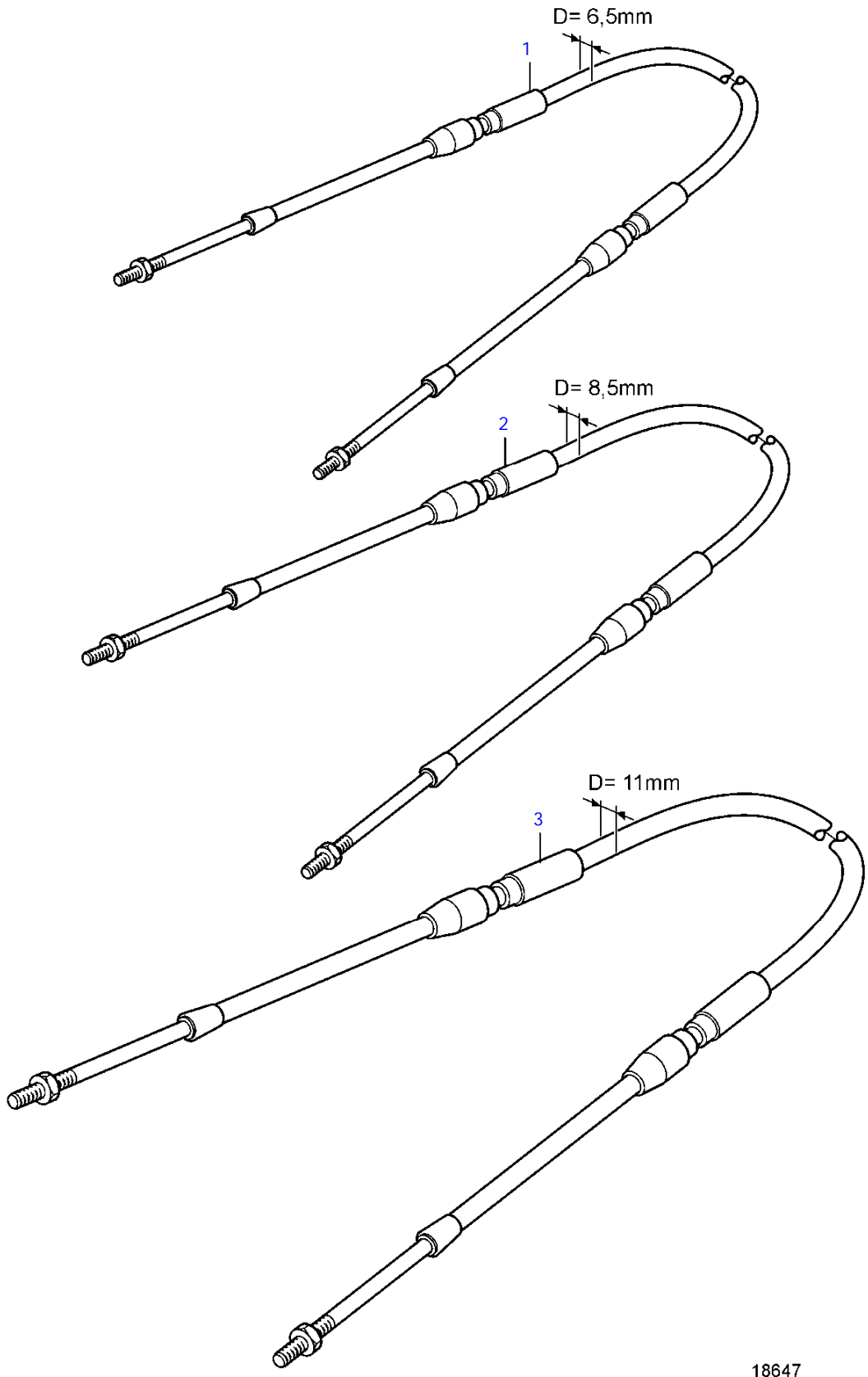
D1-13A, D1-13B, D1-20A, D1-20B, D1-30A, D1-30B, D2-40A, D2-40B, D1-13F, D1-20F, D1-30F, D2-40F



18647

D1-13A, D1-13B, D1-20A, D1-20B, D1-30A, D1-30B, D2-40A, D2-40B, D1-13F, D1-20F, D1-30F, D2-40F

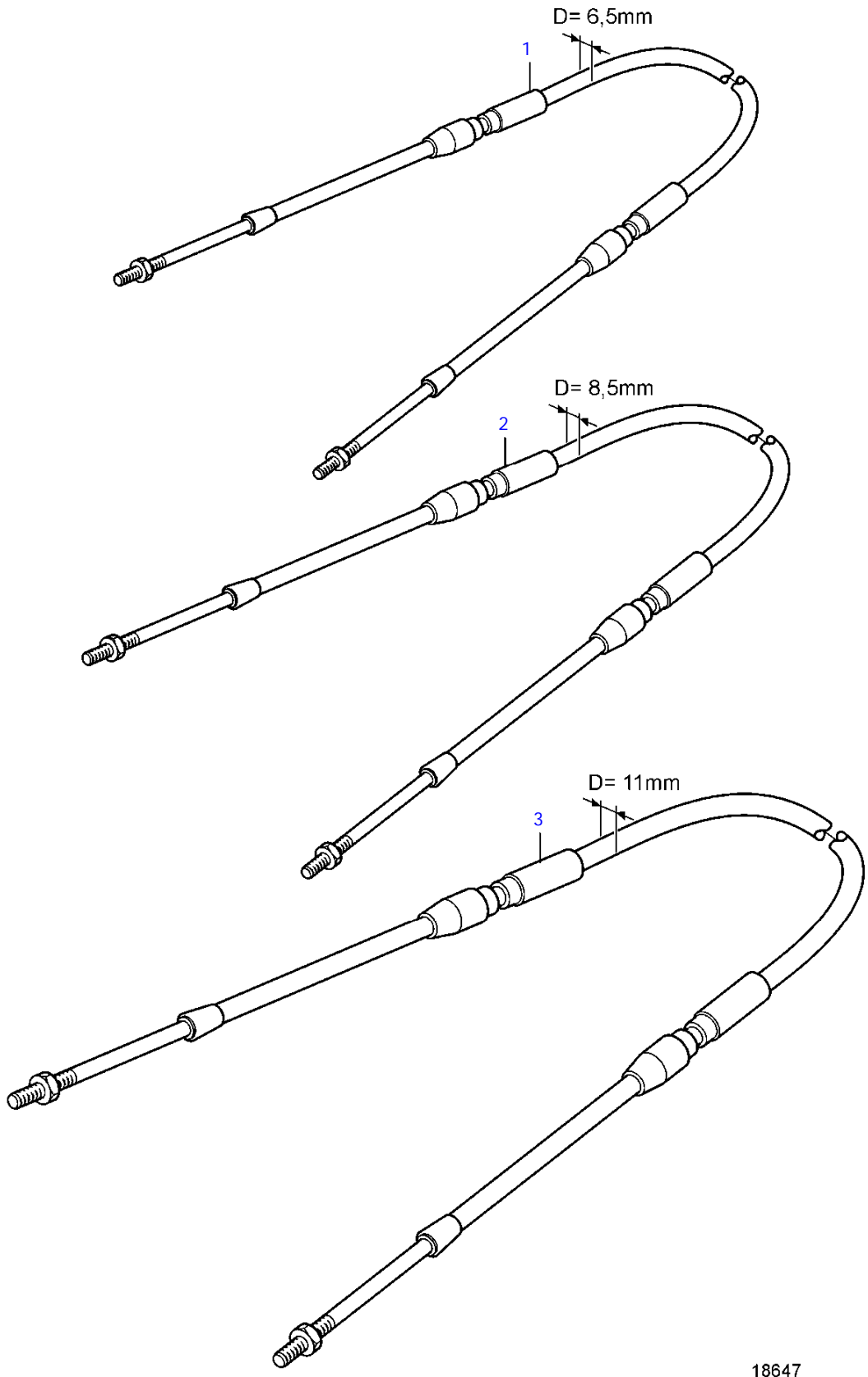
REF	PART NO.	QTY	DESCRIPTION	NOTES
1	1140131	1	Control cable	L=1250mm
	1140132	1	Control cable	L=1500mm
	1140133	1	Control cable	L=1750mm
	(1140134)	1	Control cable	Obsolete part, L=2000mm
	1140135	1	Control cable	L=2250mm
	(1140136)	1	Control cable	Obsolete part, L=2500mm
	(1140137)	1	Control cable	Obsolete part, L=2750mm
	(1140138)	1	Control cable	Obsolete part, L=3000mm
	1140139	1	Control cable	L=3250mm
	1140140	1	Control cable	L=3500mm
	(1140141)	1	Control cable	Obsolete part, L=3750mm
	(1140142)	1	Control cable	Obsolete part, L=4000mm
	(1140143)	1	Control cable	Obsolete part, L=4250mm
	(1140144)	1	Control cable	Obsolete part, L=4500mm
	1140145	1	Control cable	L=4750mm
	(1140146)	1	Control cable	Obsolete part, L=5000mm



18647



REF	PART NO.	QTY	DESCRIPTION	NOTES
2	1140171	1	Control cable	L=1000mm
	1140172	1	Control cable	L=1250mm
	1140173	1	Control cable	L=1500mm
	1140174	1	Control cable	L=1750mm
	1140175	1	Control cable	L=2000mm
	1140176	1	Control cable	L=2250mm
	1140177	1	Control cable	L=2500mm
	1140178	1	Control cable	L=2750mm
	1140179	1	Control cable	L=3000mm
	1140180	1	Control cable	L=3250mm
	1140181	1	Control cable	L=3500mm
	1140182	1	Control cable	L=3750mm
	1140183	1	Control cable	L=4000mm
	1140184	1	Control cable	L=4250mm
	1140185	1	Control cable	L=4500mm
	1140186	1	Control cable	L=4750mm
	1140187	1	Control cable	L=5000mm
	1140188	1	Control cable	L=5250mm
	1140189	1	Control cable	L=5500mm
	1140190	1	Control cable	L=5750mm
	1140191	1	Control cable	L=6000mm
	1140192	1	Control cable	L=6250mm
	1140193	1	Control cable	L=6500mm
	1140194	1	Control cable	L=6750mm
	1140195	1	Control cable	L=7000mm
	1140196	1	Control cable	L=7250mm
	1140197	1	Control cable	L=7500mm
	1140198	1	Control cable	L=7750mm
	1140199	1	Control cable	L=8000mm
	888081	1	Control cable	L=8250mm
	1140200	1	Control cable	L=8500mm
	888082	1	Control cable	L=8750mm
	1140201	1	Control cable	L=9000mm
	888083	1	Control cable	L=9250mm
	1140202	1	Control cable	L=9500mm
	888084	1	Control cable	L=9750mm
	1140203	1	Control cable	L=10000mm
	888085	1	Control cable	L=10250mm
	1140204	1	Control cable	L=10500mm
	888086	1	Control cable	L=10750mm
	1140205	1	Control cable	L=11000mm
	888087	1	Control cable	L=11250mm
	1140206	1	Control cable	L=11500mm
	888088	1	Control cable	L=11750mm
	1140207	1	Control cable	L=12000mm
	888089	1	Control cable	L=12250mm
	1140208	1	Control cable	L=12500mm
	888090	1	Control cable	L=12750mm
	1140209	1	Control cable	L=13000mm

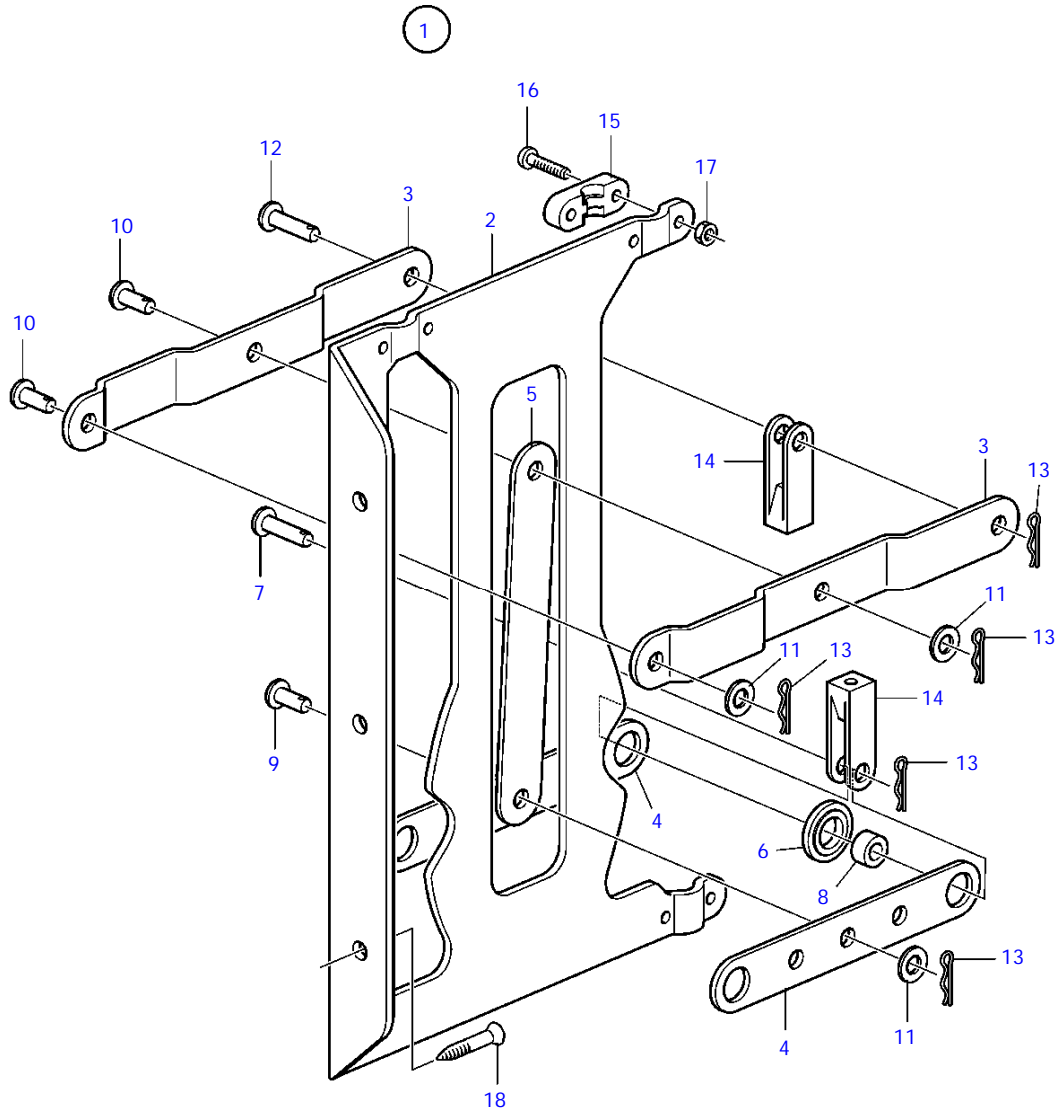


18647



REF	PART NO.	QTY	DESCRIPTION	NOTES
3	(1140101)	1	Control cable	Obsolete part, L=2000mm
	(1140102)	1	Control cable	Obsolete part, L=2500mm
	(1140103)	1	Control cable	Obsolete part, L=3000mm
	(1140104)	1	Control cable	Obsolete part, L=3500mm
	(1140105)	1	Control cable	Obsolete part, L=4000mm
	1140106	1	Control cable	L=4500mm
	(1140107)	1	Control cable	Obsolete part, L=5000mm
	(1140108)	1	Control cable	Obsolete part, L=5500mm
	(1140109)	1	Control cable	Obsolete part, L=6000mm
	(1140110)	1	Control cable	Obsolete part, L=6500mm
	1140111	1	Control cable	L=7000mm
	(1140112)	1	Control cable	Obsolete part, L=7500mm
	(1140113)	1	Control cable	Obsolete part, L=8000mm
	1140114	1	Control cable	L=8500mm
	1140115	1	Control cable	L=9000mm
	(1140116)	1	Control cable	Obsolete part, L=9500mm
	1140117	1	Control cable	L=10000mm
	1140118	1	Control cable	L=11000mm
	(1140119)	1	Control cable	Obsolete part, L=12000mm
	(1140120)	1	Control cable	Obsolete part, L=13000mm
	1140121	1	Control cable	L=14000mm
	(1140122)	1	Control cable	Obsolete part, L=15000mm

D1-13A, D1-13B, D1-20A, D1-20B, D1-30A, D1-30B, D2-40A, D2-40B, D1-13F, D1-20F, D1-30F, D2-40F

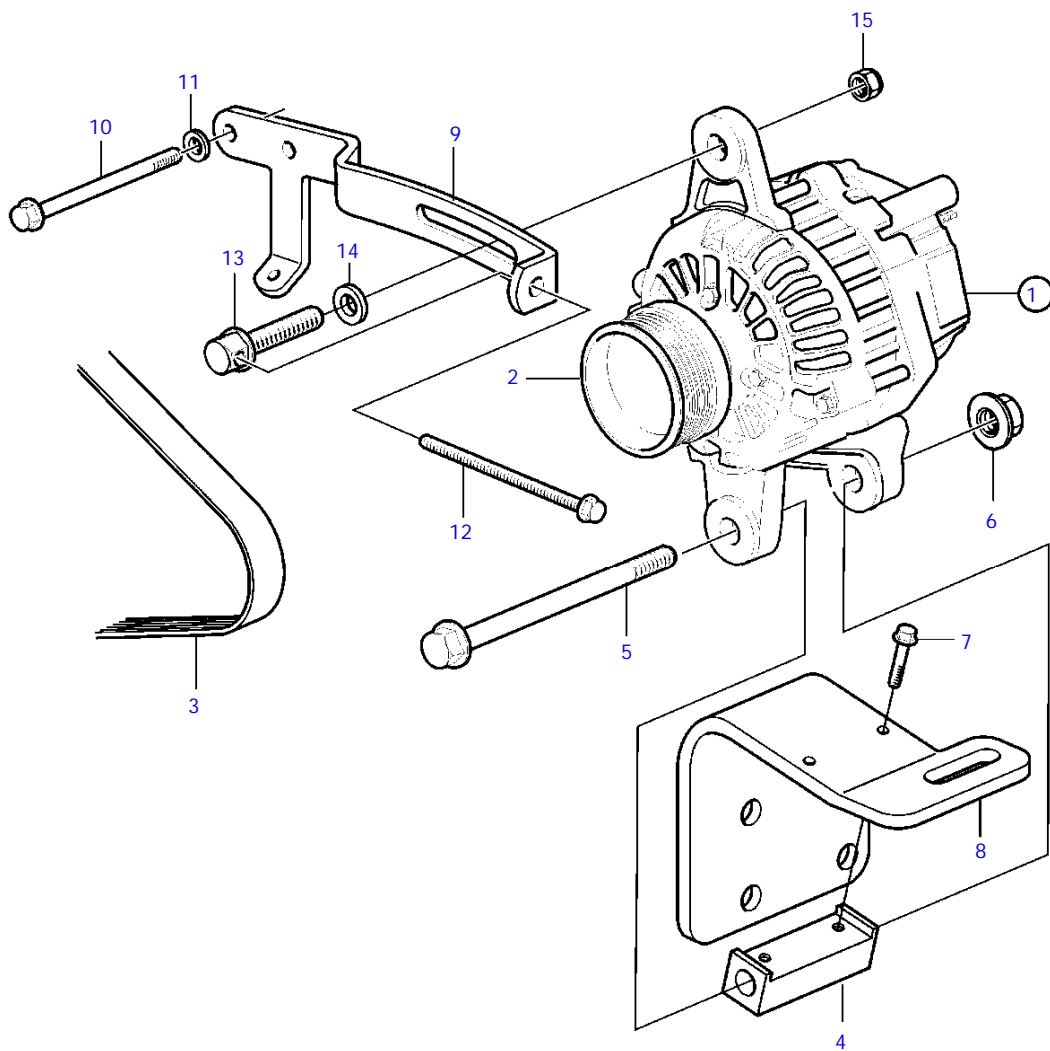


23103

D1-13A, D1-13B, D1-20A, D1-20B, D1-30A, D1-30B, D2-40A, D2-40B, D1-13F, D1-20F, D1-30F, D2-40F

REF	PART NO.	QTY	DESCRIPTION	NOTES
1	828164	1	Connection plate	For double steering positions.
2		1	* Housing	
3		2	* Lever	
4		2	* Lever	
5		1	* Lever	
6	828180	2	* Roller	
7	828183	2	* Split pin	
8	828178	2	* Bushing	
9	(850358)	1	* Clevis pin	Obsolete part
10	(828177)	2	* Clevis pin	Obsolete part
11	940191	3	* Washer	
12	828182	1	* Clevis pin	
13	664822	6	* Split pin	
14	850452	3	* Fork	
15	850361	3	* Cable attachment	
16	969407	6	* 6 point socket screw	(956078)
17	955780	6	* Hexagon nut	
18	(905448)	3	Screw	Obsolete part

D1-13A, D1-13B, D1-20A, D1-20B, D1-13F, D1-20F

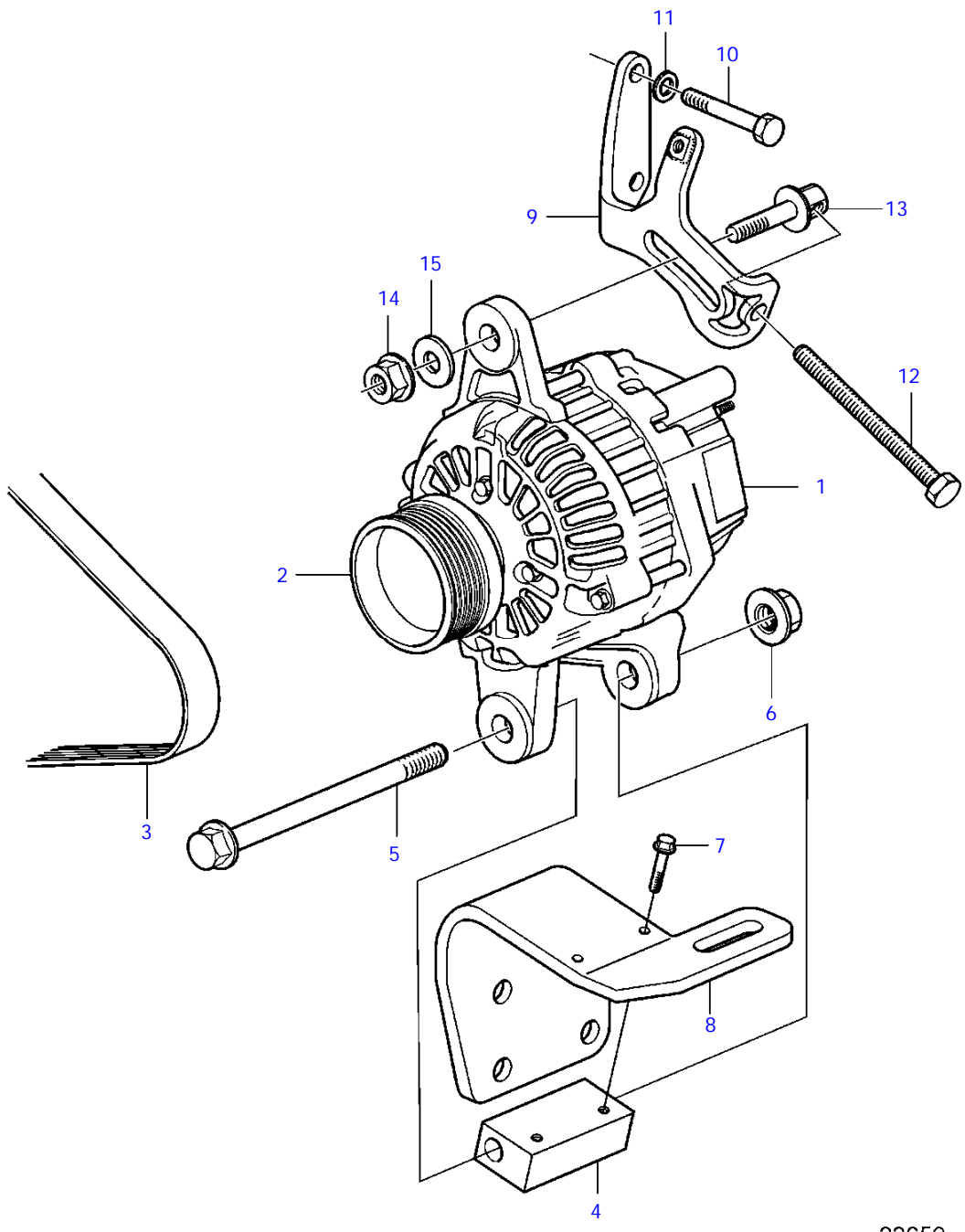


22910

D1-13A, D1-13B, D1-20A, D1-20B, D1-13F, D1-20F

REF	PART NO.	QTY	DESCRIPTION	SEE SEC.	NOTES
1	3819662	1	Alternator		14V 115A
	3803903	1	Alternator, exch, exch		14V 115A
			*		
			*	9997	
	3803903	1	Alternator, exch		
2			* Pulley		
			*	9997	
3	3809625	1	Belt		
4	3812711	1	Alternator bracket		
5	978447	1	Flange screw		
6	971096	1	Flange nut		
7	946470	2	Flange screw		
8		1	Engine mountings, front	8304	Port side, D1-13
		1	Engine mountings, front	8305	Port side, D1-20
9	3809628	1	Tensioning arm		
10	1346183	3	Screw		D1-13
	3887173	3	Screw		D1-20
11	861913	3	Spring washer		D1-13
12	21246605	1	Hexagon screw		
13	861663	1	Lock screw		
14	3580019	1	Washer		
15	21246409	1	Flange nut		

D1-30A, D1-30B, D2-40A, D2-40B



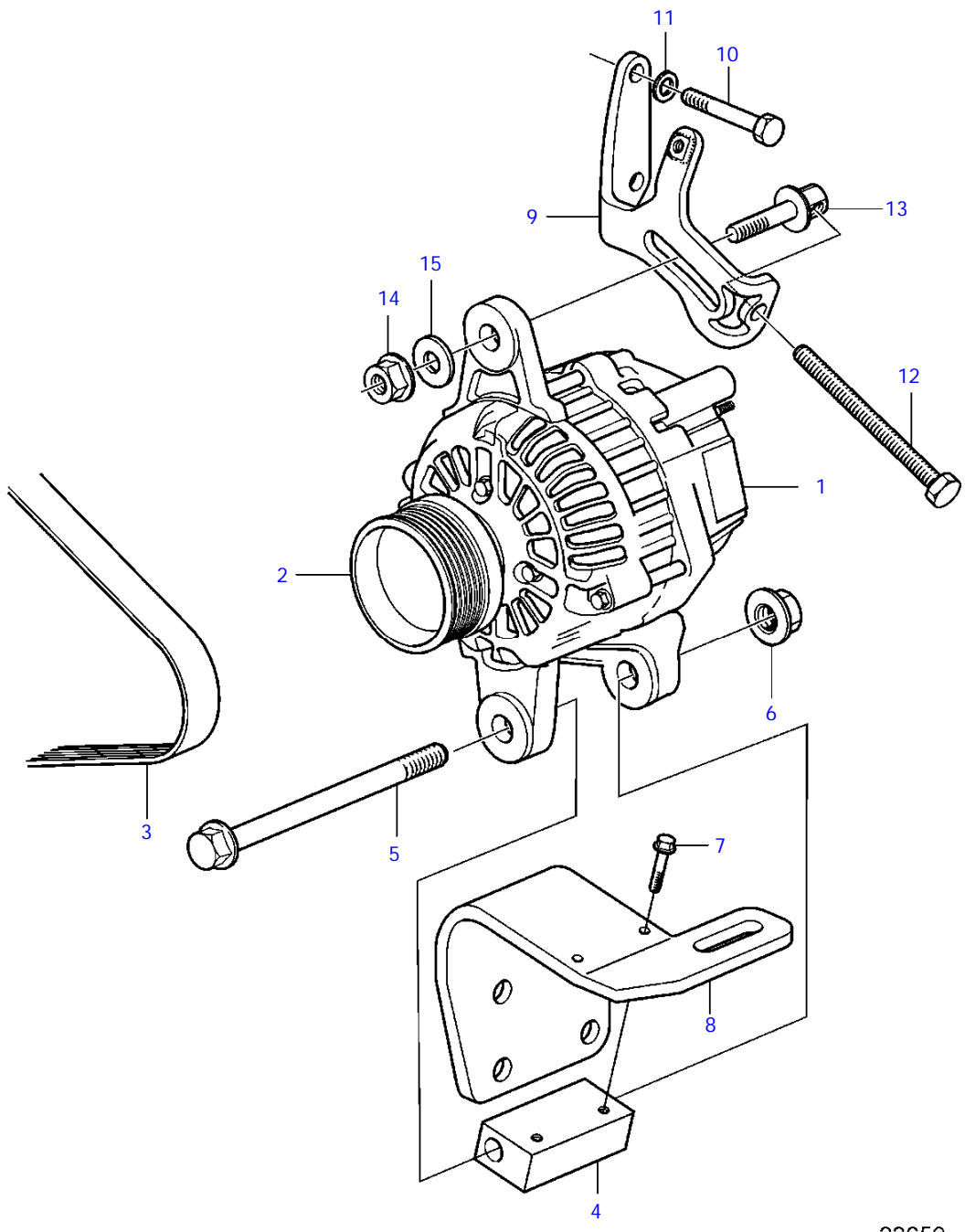
22659



D1-30A, D1-30B, D2-40A, D2-40B

REF	PART NO.	QTY	DESCRIPTION	SEE SEC.	NOTES
1	874502	1	Alternator		14V 115A
	3803650	1	Alternator, exch, exch		14V 115A
			*		
			*	9893	
	3803650		Alternator, exch		
2	3818957	1	Pulley		
3	3812159	1	Belt		D1-30
	3812145	1	Belt		D2-40
4	21192343	1	Support		
5	978447	1	Flange screw		
6	971098	1	Flange lock nut		
7	946671	2	Flange screw		
8		1	Engine mountings, front	8306	Port side, D1-30
		1	Engine mountings, front	8307	Port side, D2-40
9	3884212	1	Tensioner		
10	955285	2	Hexagon screw		
11	861913	2	Spring washer		
12	955306	1	Hexagon screw		
13	861663	1	Lock screw		
14	948645	1	Flange lock nut		
15	3580019	1	Washer		

D1-30F, D2-40F



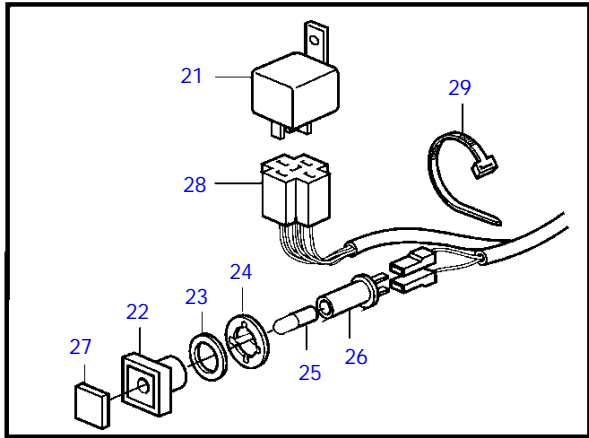
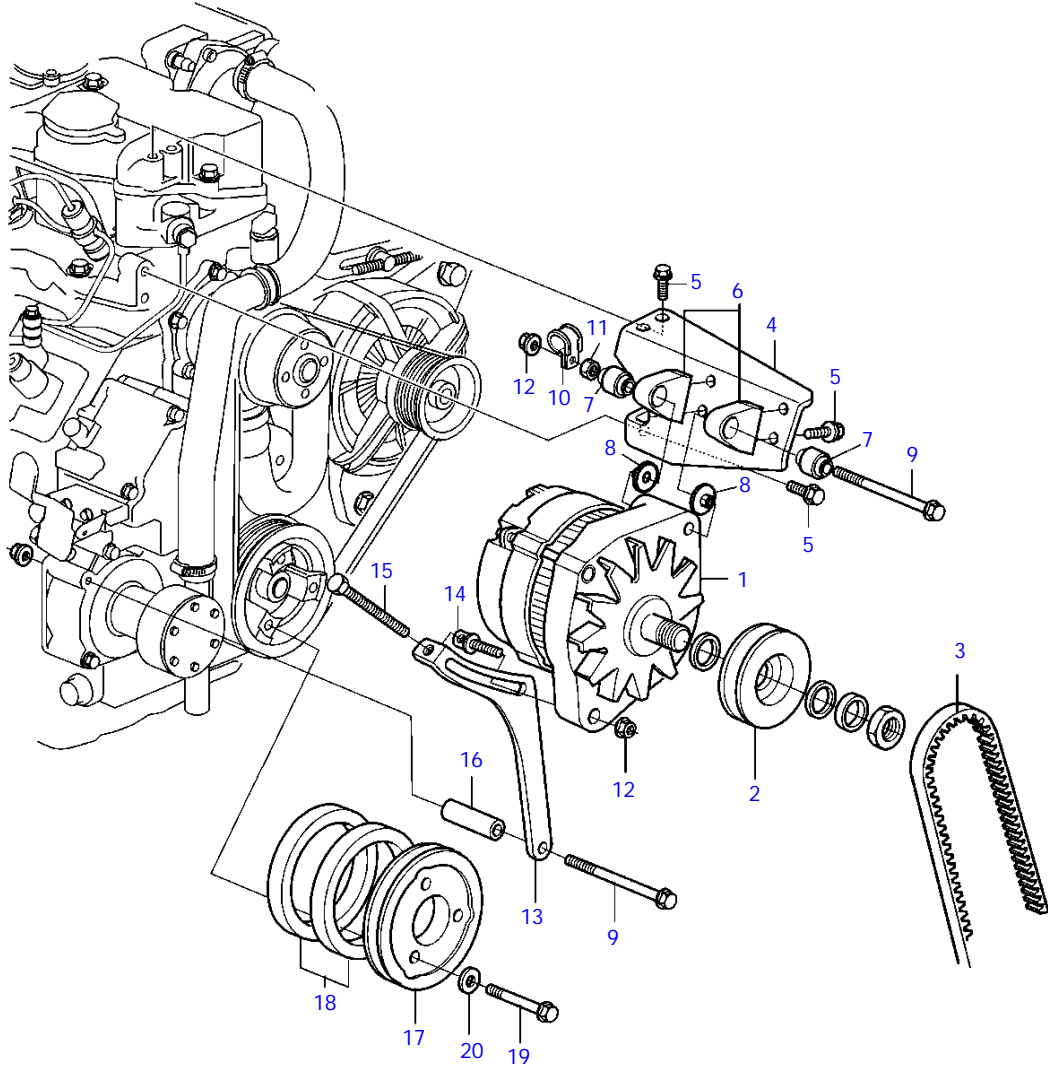
22659



D1-30F, D2-40F

REF	PART NO.	QTY	DESCRIPTION	SEE SEC.	NOTES
1	874502	1	Alternator		14V 115A
	3803650	1	Alternator, exch, exch		14V 115A
			*		
			*	9893	
	3803650		Alternator, exch		
2	3818957	1	Pulley		
3	3812159	1	Belt		D1-30
	3812145	1	Belt		D2-40
4	21192343	1	Support		
5	993179	1	Flange screw		
6	971096	1	Flange nut		
7	946470	2	Flange screw		
8		1	Engine mountings, front	8306	Port side, D1-30
		1	Engine mountings, front	8307	Port side, D2-40
9	3884212	1	Tensioner		
10	969982	2	Flange screw		
11	861913	2	Spring washer		
12	21246605	1	Hexagon screw		
13	861663	1	Lock screw		
14	21246409	1	Flange nut		
15	3580019	1	Washer		

D1-20A, D1-20B, D1-20F

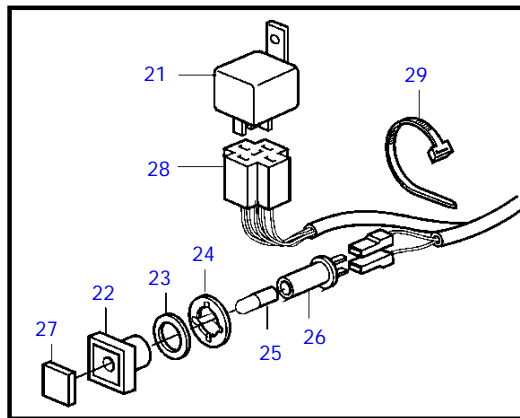
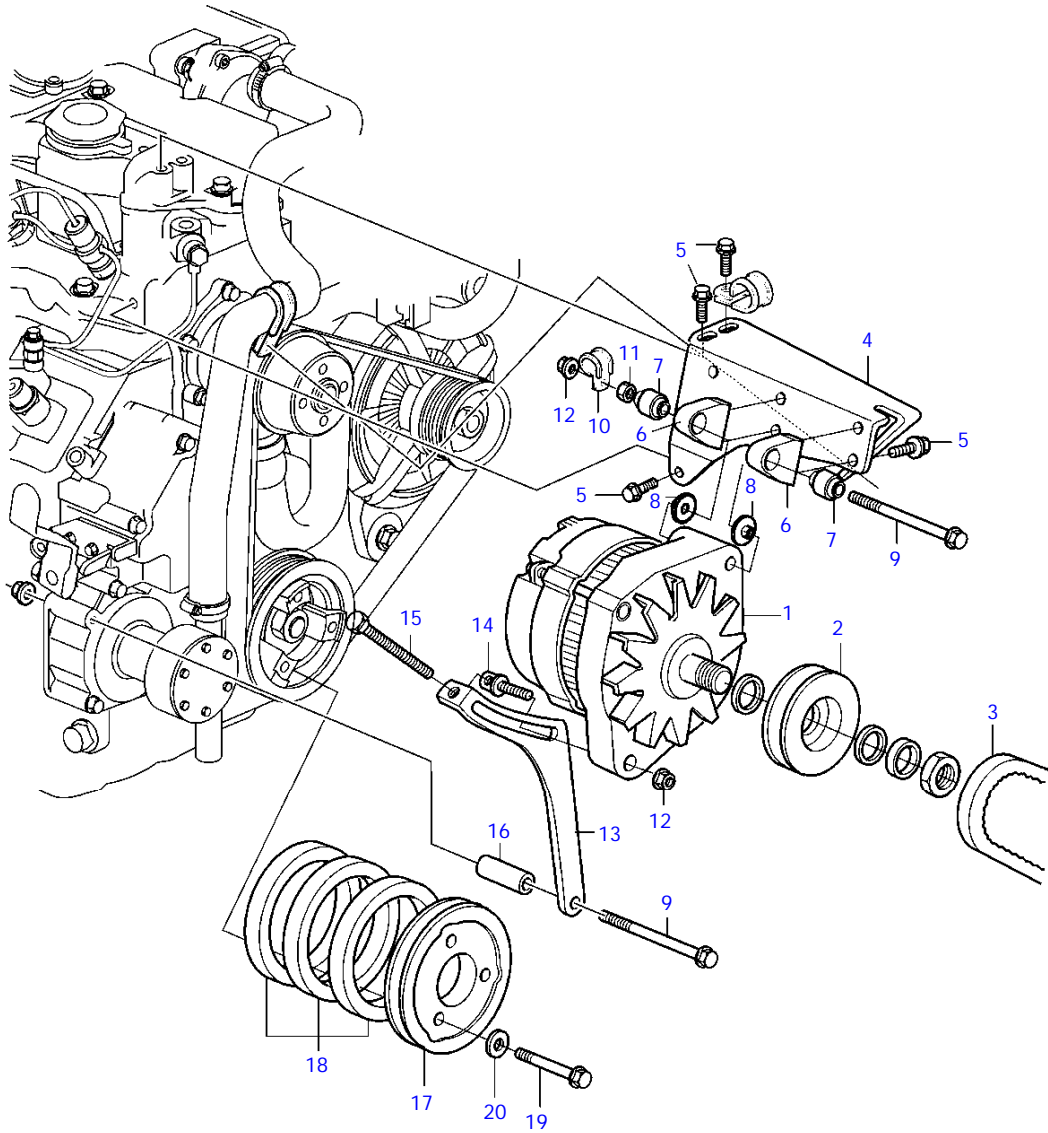


22952

D1-20A, D1-20B, D1-20F

REF	PART NO.	QTY	DESCRIPTION	NOTES
1	873770	1	Alternator	14V, 60A
	3803444	1	Alternator, exch, exch	14V, 60A
	3803444	1	Alternator, exch	14V, 60A
	872927	1	Alternator	28V, 40A
	3803619	1	Alternator, exch, exch	28V, 40A
	3803619	1	Alternator, exch	28V, 40A
2	841813	1	Pulley	
3	977525	1	V-belt	
4	3819248	1	Mounting plate	
5	946440	7	Flange screw	
6	3580749	2	Anchorage	
7	859273	2	Rubber bushing	
8	859274	2	Washer	
9	968553	2	Flange screw	
10	949746	1	Clamp	
11	955782	1	Hexagon nut	
12	945408	2	Flange nut	
13	3884026	1	Tensioning arm	
14	861663	1	Lock screw	
15	977820	1	Hexagon screw	
16	823497	1	Spacer sleeve	
17	3581036	1	Pulley	
18	3583572	2	Spacer	
19	965181	3	Flange screw	
20	976944	3	Washer	
21	1324492	1	Relay	
22	838455	1	Retainer	
23	829714	1	Sealing ring	
24	967583	1	Retainer	
25	19923	1	Bulb	
26	808175	1	Lamp socket	
27	838457	1	Symbol strip	
28	838542	1	Cable trunk	
29	948211	10	Cable tie	

D1-30A, D1-30B, D2-40A, D2-40B, D1-30F, D2-40F

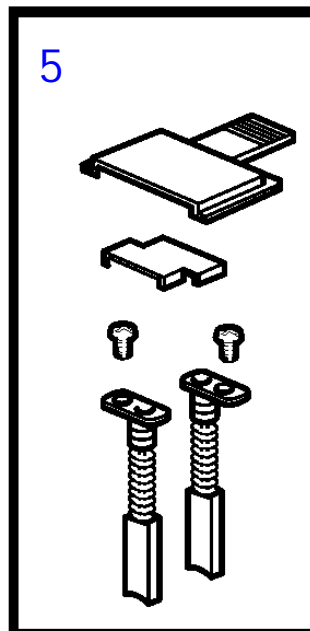
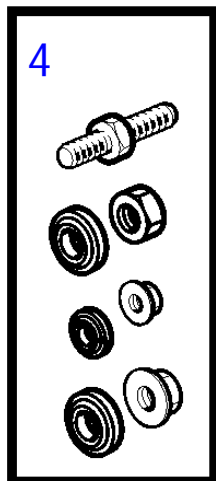
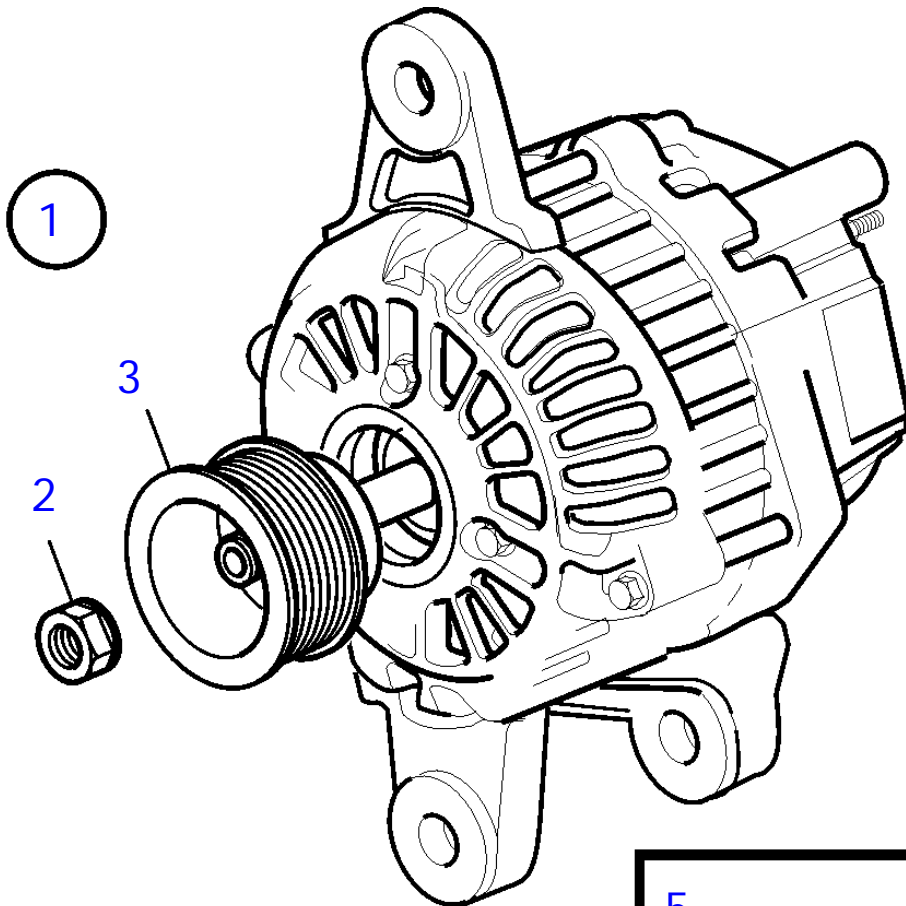


22953

D1-30A, D1-30B, D2-40A, D2-40B, D1-30F, D2-40F

REF	PART NO.	QTY	DESCRIPTION	NOTES
1	873770	1	Alternator	14V, 60A
	3803444	1	Alternator, exch, exch	14V, 60A
	3803444	1	Alternator, exch	14V, 60A
	872927	1	Alternator	28V, 40A
	3803619	1	Alternator, exch, exch	28V, 40A
	3803619	1	Alternator, exch	28V, 40A
2	841813	1	Pulley	
3	978678	1	V-belt	
4	3819220	1	Mounting plate	
5	946440	7	Flange screw	
6	3580749	2	Anchorage	
7	859273	1	Rubber bushing	
8	859274	2	Washer	
9	968553	2	Flange screw	
10	949746	1	Clamp	
11	955782	1	Hexagon nut	
12	945408	2	Flange nut	
13	3884026	1	Tensioning arm	
14	861663	1	Lock screw	
15	977820	1	Hexagon screw	
16	848694	1	Spacer sleeve	
17	3581036	1	Pulley	
18	3583572	3	Spacer	
19	965181	3	Flange screw	
20	976944	3	Washer	
21	1324492	1	Relay	
22	838455	1	Retainer	
23	829714	1	Sealing ring	
24	967583	1	Retainer	
25	19923	1	Bulb	
26	808175	1	Lamp socket	
27	838457	1	Symbol strip	
28	838542	1	Cable trunk	
29	948211	10	Cable tie	

D1-13A, D1-13B, D1-20A, D1-20B, D1-13F, D1-20F

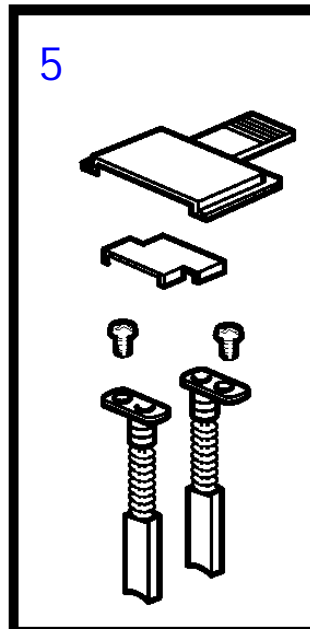
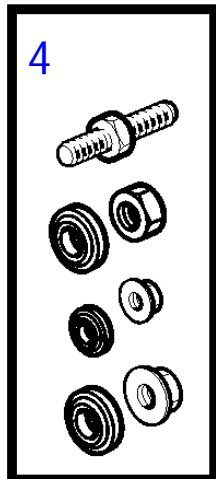
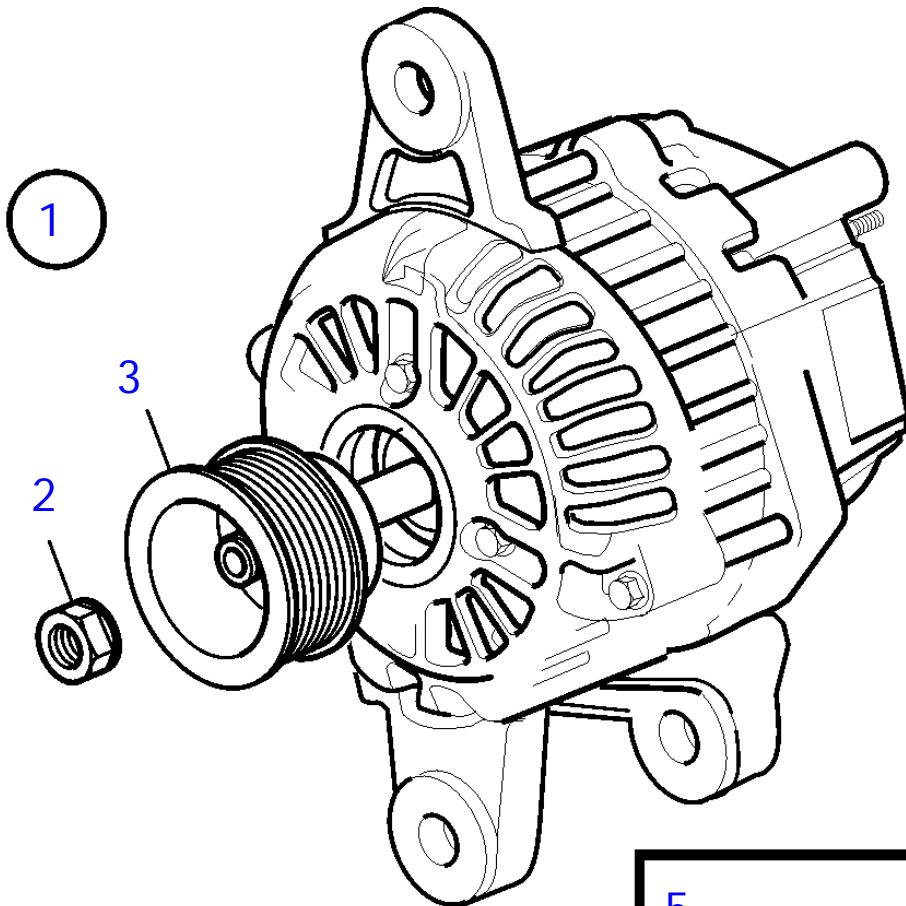


24383

D1-13A, D1-13B, D1-20A, D1-20B, D1-13F, D1-20F

REF	PART NO.	QTY	DESCRIPTION
1	3803903	1	Alternator, exch
2	3818955	1	• Nut set
3	3817510	1	• Pulley
4	3818997	1	• Connector kit
5	3818999	1	• Brush set

D1-30A, D1-30B, D2-40A, D2-40B, D1-30F, D2-40F

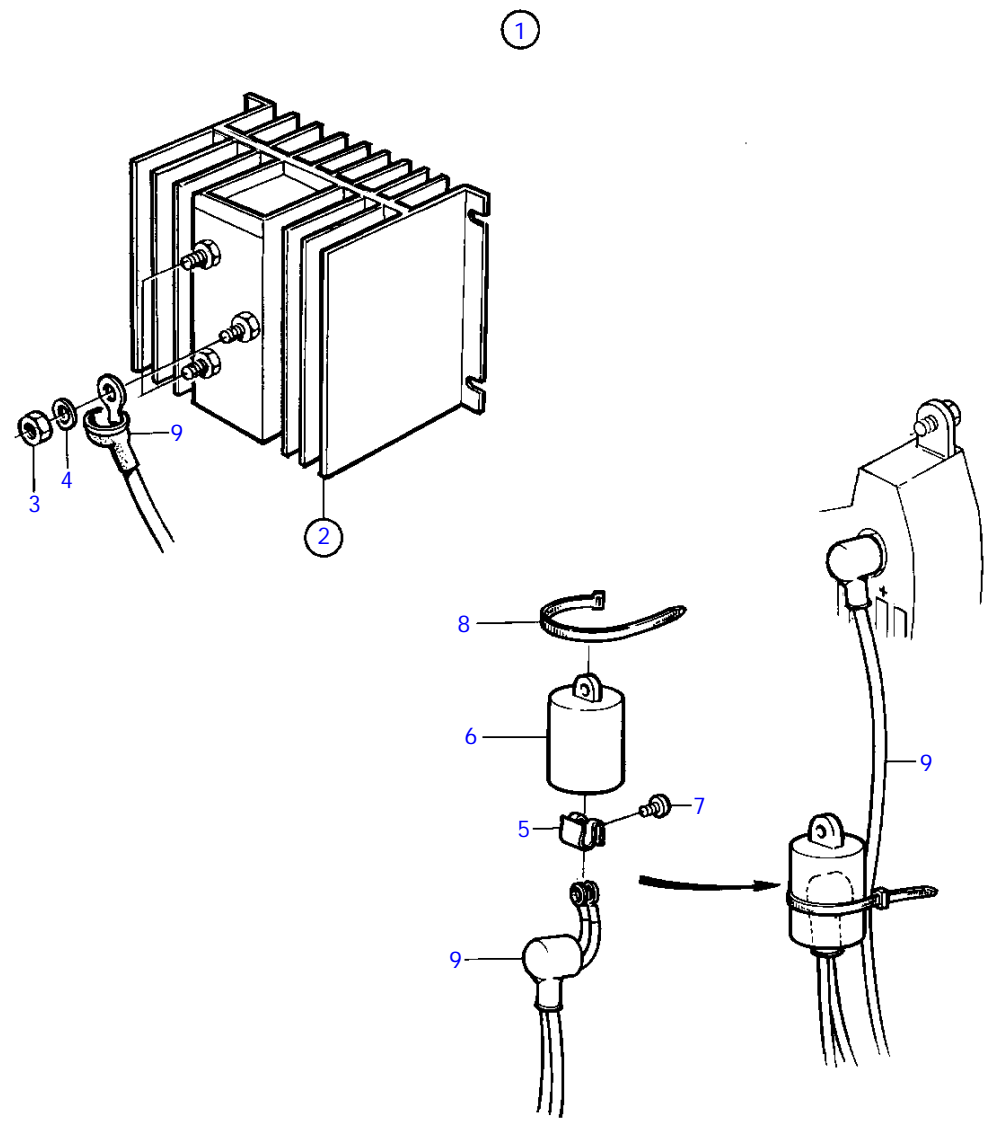


24383

D1-30A, D1-30B, D2-40A, D2-40B, D1-30F, D2-40F

REF	PART NO.	QTY	DESCRIPTION
1	3803650	1	Alternator, exch
2	3818955	1	• Nut set
3	3818957	1	• Pulley
4	3818997	1	• Connector kit
5	3818999	1	• Brush set

D2-40A, D2-40B, D2-40F



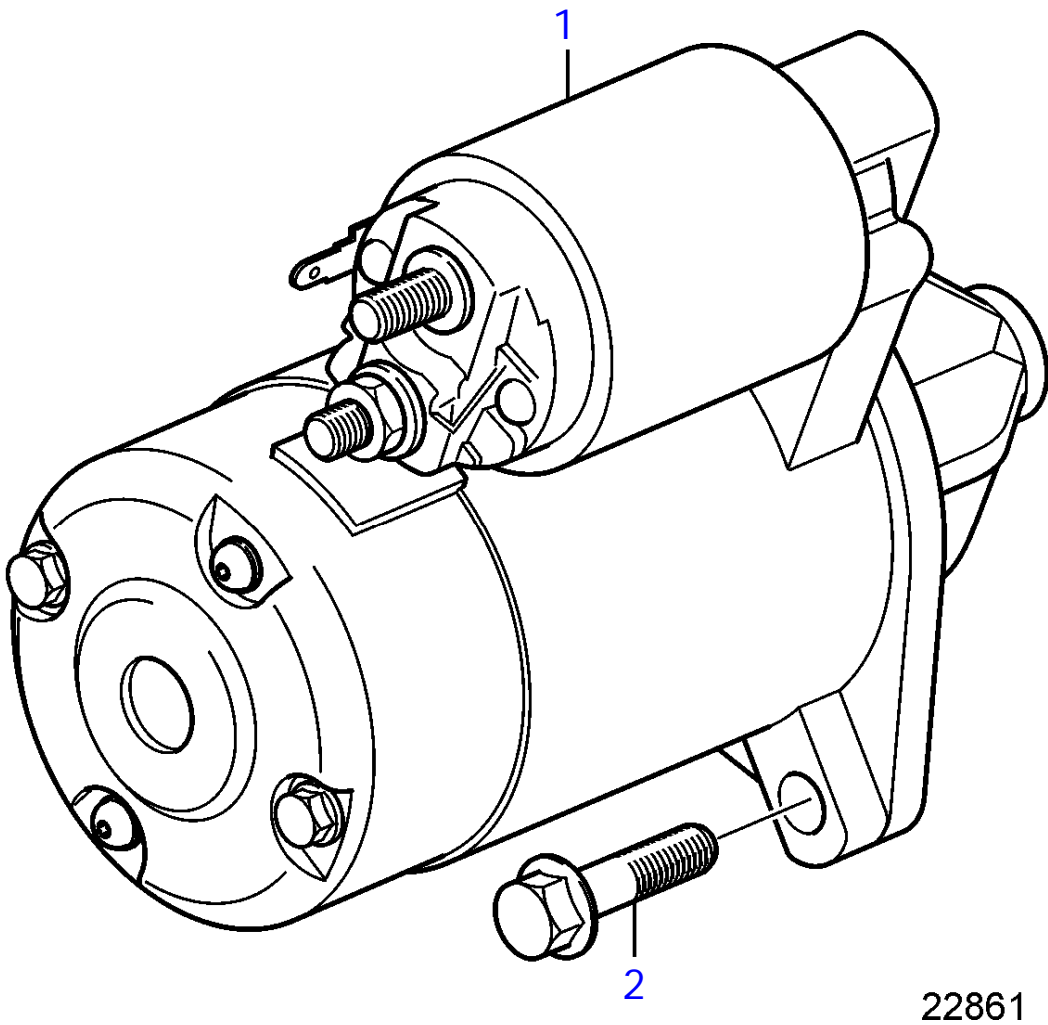
11570



D2-40A, D2-40B, D2-40F

REF	PART NO.	QTY	DESCRIPTION	SEE SEC.	NOTES
1	3840597	1	Junction block		For alternators 12-28V up to 160A. Charge Distribution Kit
			* Bulletin P-32-2-1	P-32-2-1-EN	
2		1	* Junction block		
3	955846	3	Hexagon nut		
4	941906	3	Spring washer		
5	859492	1	Spring nut		
6	859493	1	Protecting casing		
7	955126	1	Cross recessed screw		
8	948211	1	Cable tie		
9		X	electrical materials	1963	

D1-13A, D1-13B, D1-20A, D1-20B, D1-13F, D1-20F

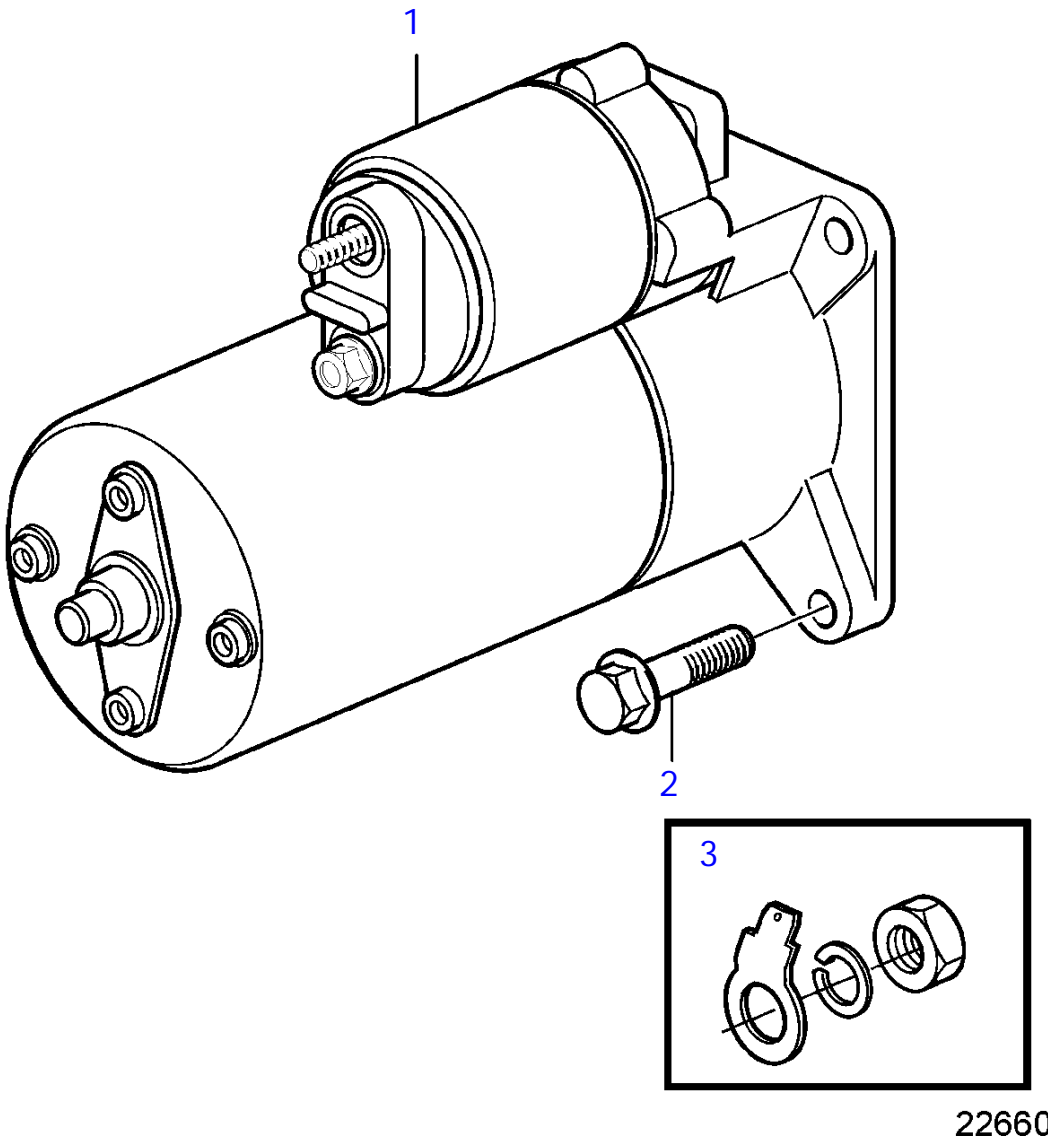


Starter Motor**30**

D1-13A, D1-13B, D1-20A, D1-20B, D1-13F, D1-20F

REF	PART NO.	QTY	DESCRIPTION	SEE SEC.
1	3803904	1	Starter motor, exh	
			*	
			*	21449
2	946471	2	Flange screw	

D1-30A, D1-30B, D2-40A, D2-40B, D1-30F, D2-40F



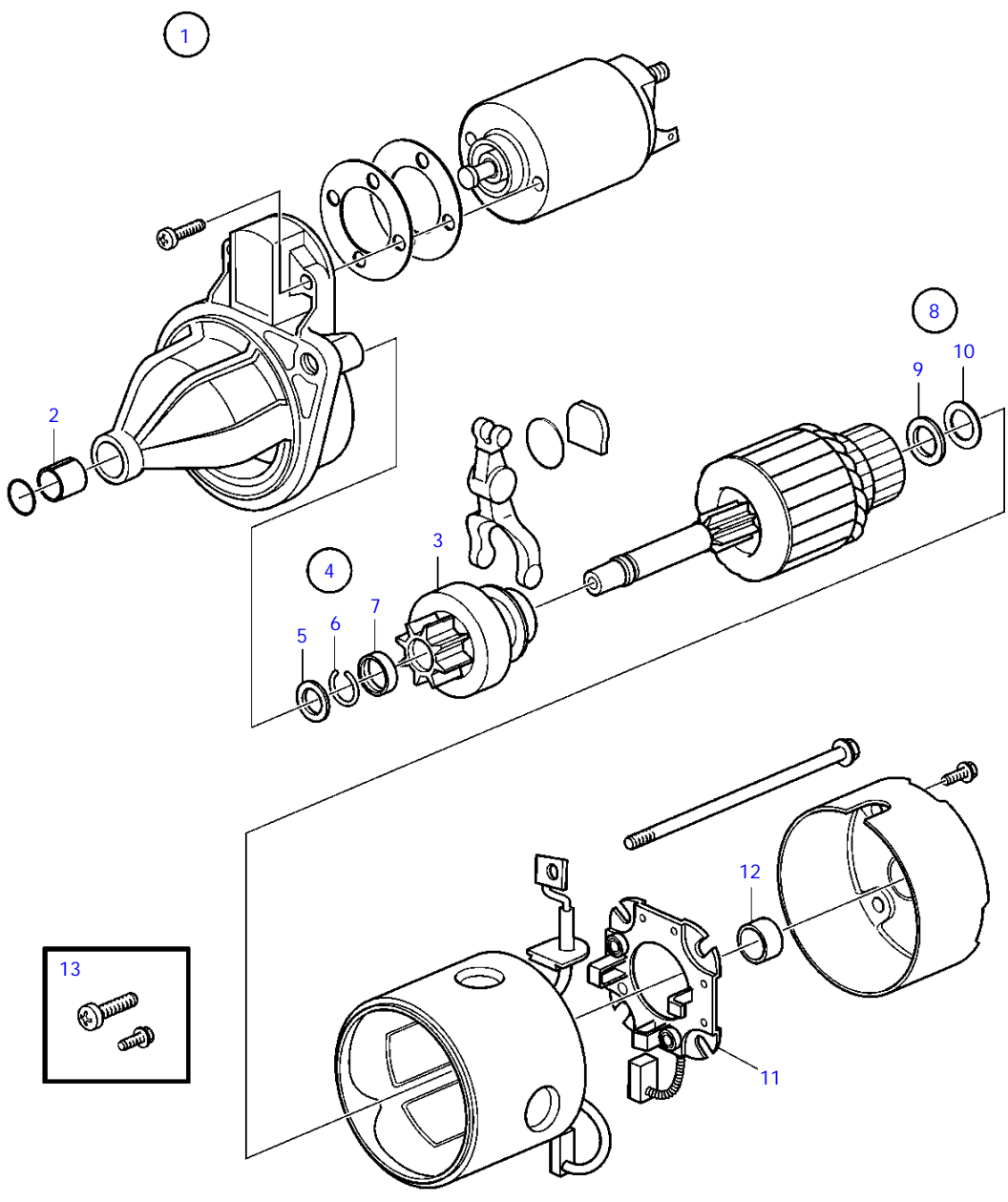
Starter Motor	30
----------------------	-----------

D1-30A, D1-30B, D2-40A, D2-40B, D1-30F, D2-40F
--

REF	PART NO.	QTY	DESCRIPTION	NOTES
1	21302969	1	Starter motor	
	3801350	1	Starter motor, exch, exch * parts not sold separately	
2	965186	2	Flange screw	D1-30
	965220	2	Flange screw	D2-40
3		1	included material	



D1-13A, D1-13B, D1-20A, D1-20B, D1-13F, D1-20F



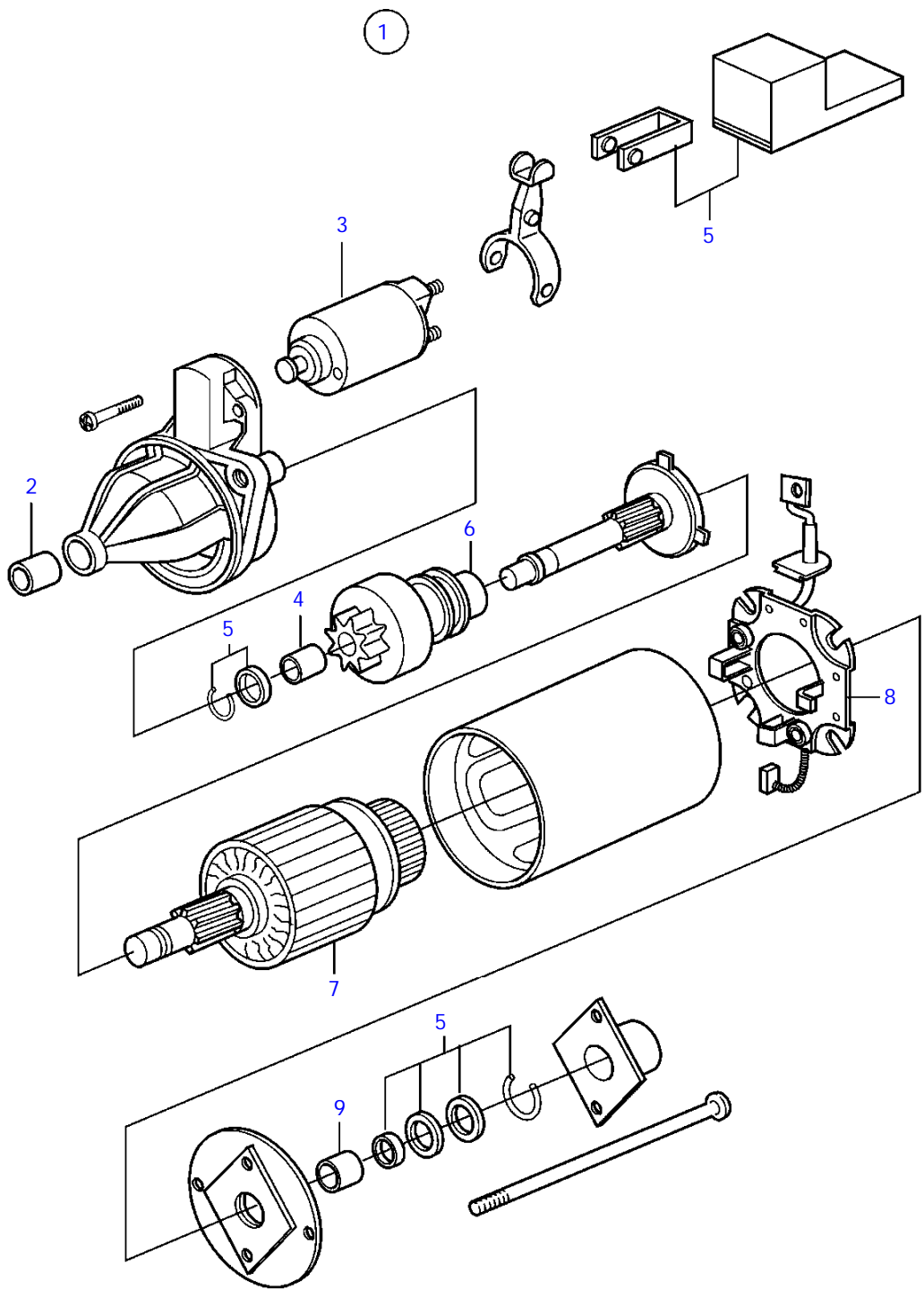
23558



D1-13A, D1-13B, D1-20A, D1-20B, D1-13F, D1-20F

REF	PART NO.	QTY	DESCRIPTION	NOTES
1	3803904	1	Starter motor, exch	
2	3580210	1	Bushing	
3	3580212	1	Starter pinion	
4	3580211	1	Pinion stop	
5		1	* Spacer	
6		1	* Washer	
7		1	* Washer	
8	(3580214)	1	Washer kit	Obsolete part
9		1	* Washer	
10		1	* Washer	
11	3580217	1	Brush retainer plate	
12	3580221	1	Bushing	
13	3580205	1	Screw kit	

D1-30A, D1-30B, D1-30F, D2-40F

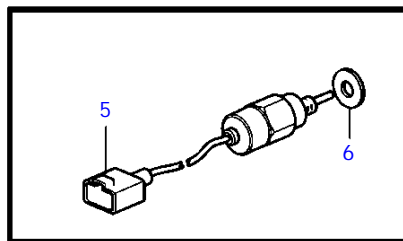
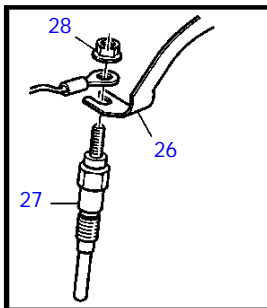
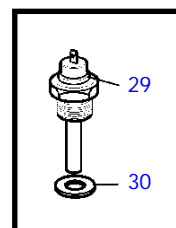
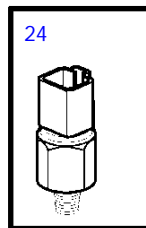
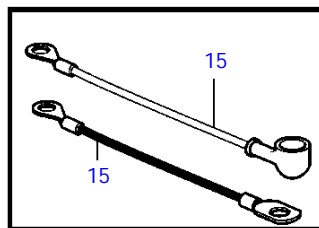
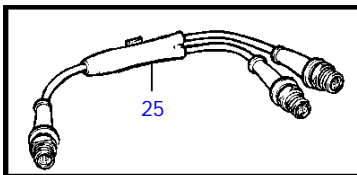
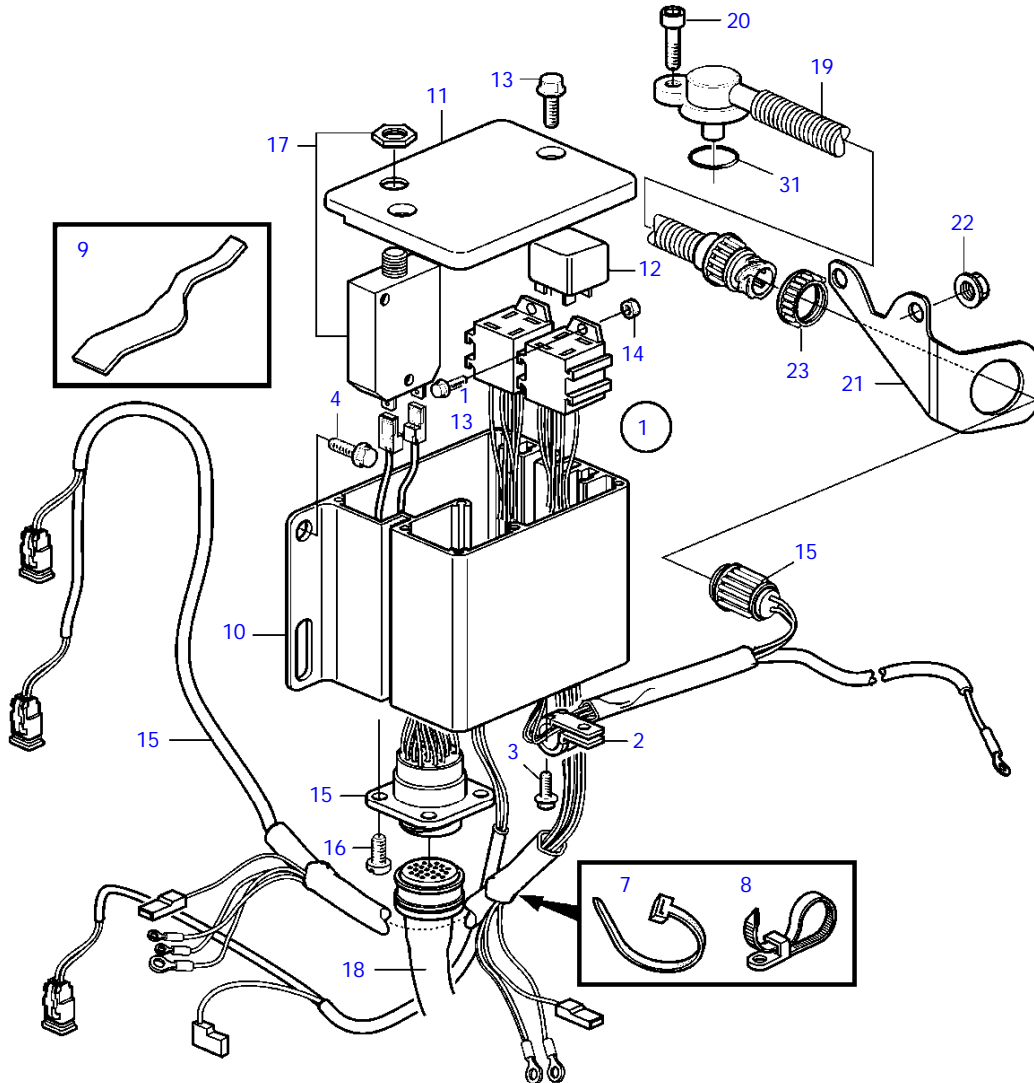


22661

D1-30A, D1-30B, D1-30F, D2-40F

REF	PART NO.	QTY	DESCRIPTION	NOTES
1	3801350	1	Starter motor, exch	D1-30F, D2-40F
	3803584		Starter motor, exch	D1-30B
2	3582423	1	* Bushing	
3	3582522	1	* Solenoid	
4	3583746	1	* Bushing	
5		1	* Washer kit	
6	3583837	1	* Starter pinion	
7		1	* Rotor	
8	3583836	1	* Brush retainer plate	
9	3583751	1	* Bushing	

D1-13A, D1-20A, D1-30A, D2-40A

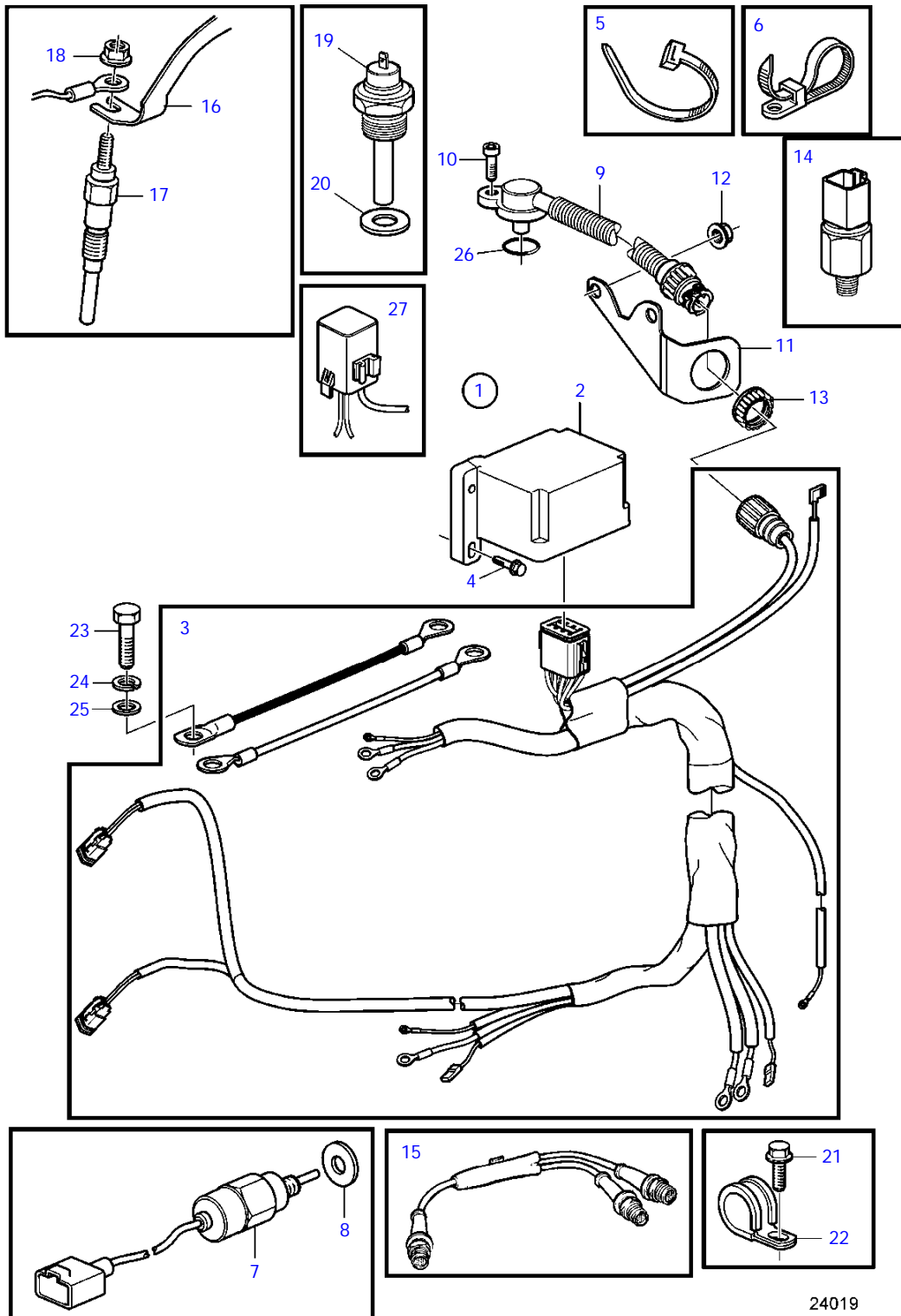


22960

D1-13A, D1-20A, D1-30A, D2-40A

REF	PART NO.	QTY	DESCRIPTION	NOTES
1	3817433	1	Electrical system	
2	947191	1	* Clamp	
3	947107	1	* Flange screw	
4	946544	2	* Flange screw	
5	3584127	1	* Stop solenoid	
6	3580092	1	* Sealing ring	
7	948211	6	* Cable tie	
8	948616	1	* Cable tie	
9	3812709	1	* Spring	
10	3812685	1	Electrical distribut	
11	3812683	1	Cardboard tube	
12	873765	2	Relay	
13	948663	4	Flange screw	
14	955780	2	Hexagon nut	
15	3809732	1	Wiring harness	
16	955119	4	Cross recessed screw	
17	968821	1	Fuse	
18	846648	1	Extension cable'verl	L=3000mm
	846649	1	Extension cable'verl	L=5000mm
	846650	1	Extension cable'verl	L=7000mm
	873838	1	Extension cable'verl	L=9000mm
	873839	1	Extension cable'verl	L=11000mm
19	3944124	1	Sensor	
20	963684	1	Hex. socket screw	
21		1	Bracket	
22		2	Screw	
23	3963413	1	Ring	
24	21250645	1	Pressure switch	(3808796)
25	1140598	1	Distributing contact	For double steering positions.
26	3809642	1	Current bar	D1-13
	3812103	1	Current bar	D1-20
	3883705	1	Current bar	D1-30
	3886459	1	Current bar	D2-40
27	3809641	2	Glow plug	D1-13
	3809641	3	Glow plug	D1-20, D1-30
	3809641	4	Glow plug	D2-40
28	3883704	2	Nut	D1-13
	3883704	3	Nut	D1-20, D1-30
	3883704	4	Nut	D2-40
29	827151	1	Temperature sensor	
30	947624	1	Gasket	
31	974673	1	O-ring	

D1-13B, D1-20B, D1-30B, D2-40B

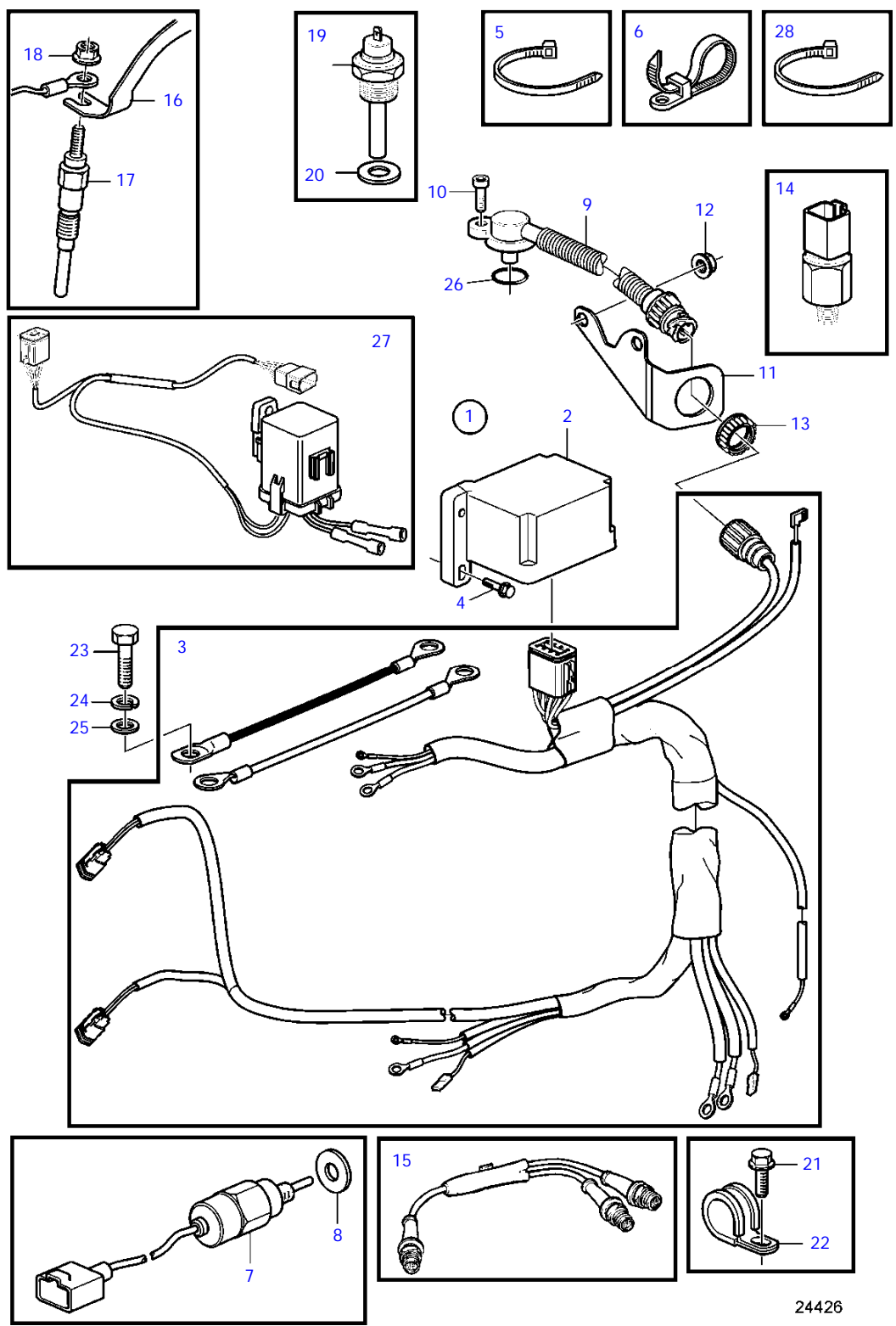


24019

D1-13B, D1-20B, D1-30B, D2-40B

REF	PART NO.	QTY	DESCRIPTION	NOTES
1	(3885724)	1	Electrical distribut	Obsolete part
2	21120710	1	* Control unit	Replaced by 21261871
	21261871	1	* Control unit	Replaced by 21511215
	21511215	1	* Electronic unit	Replaced by 21558939
	21558939	1	* Electronic unit	
3	3843674	1	* Wiring harness	
4	948356	2	Flange screw	
5	948211	8	Cable tie	
6	948616	1	Cable tie	
7	3584127	1	Stop solenoid	
8	3580092	1	Sealing ring	
9	3944124	1	Sensor	
10	942001	1	Hex. socket screw	
11		1	Bracket	
12		2	Screw	
13	3963413	1	Ring	
14	21250645	1	Pressure switch	
15	1140598	1	Distributing contact	For double steering positions.
16	3809642	1	Current bar	D1-13
	3812103	1	Current bar	D1-20
	3883705	1	Current bar	D1-20, D1-30
	3886459	1	Current bar	D2-40
17	3809641	2	Glow plug	D1-13
	3809641	3	Glow plug	D1-20, D1-30
	3809641	4	Glow plug	D2-40
18	3883704	2	Nut	D1-13
	3883704	3	Nut	D1-20, D1-30
	3883704	4	Nut	D2-40
19	827151	1	Temperature sensor	
20	947624	1	Gasket	
21	945081	1	Clamp	D2-40B
22	947107	1	Flange screw	D2-40B
23	946502	1	Flange screw	Ground (hull)
24	955898	1	Washer	0.2mm
25	940280	1	Spring washer	1.2mm
26	974673	1	O-ring	
27	3594745	1	Wiring harness	

D1-13F, D1-20F, D1-30F, D2-40F



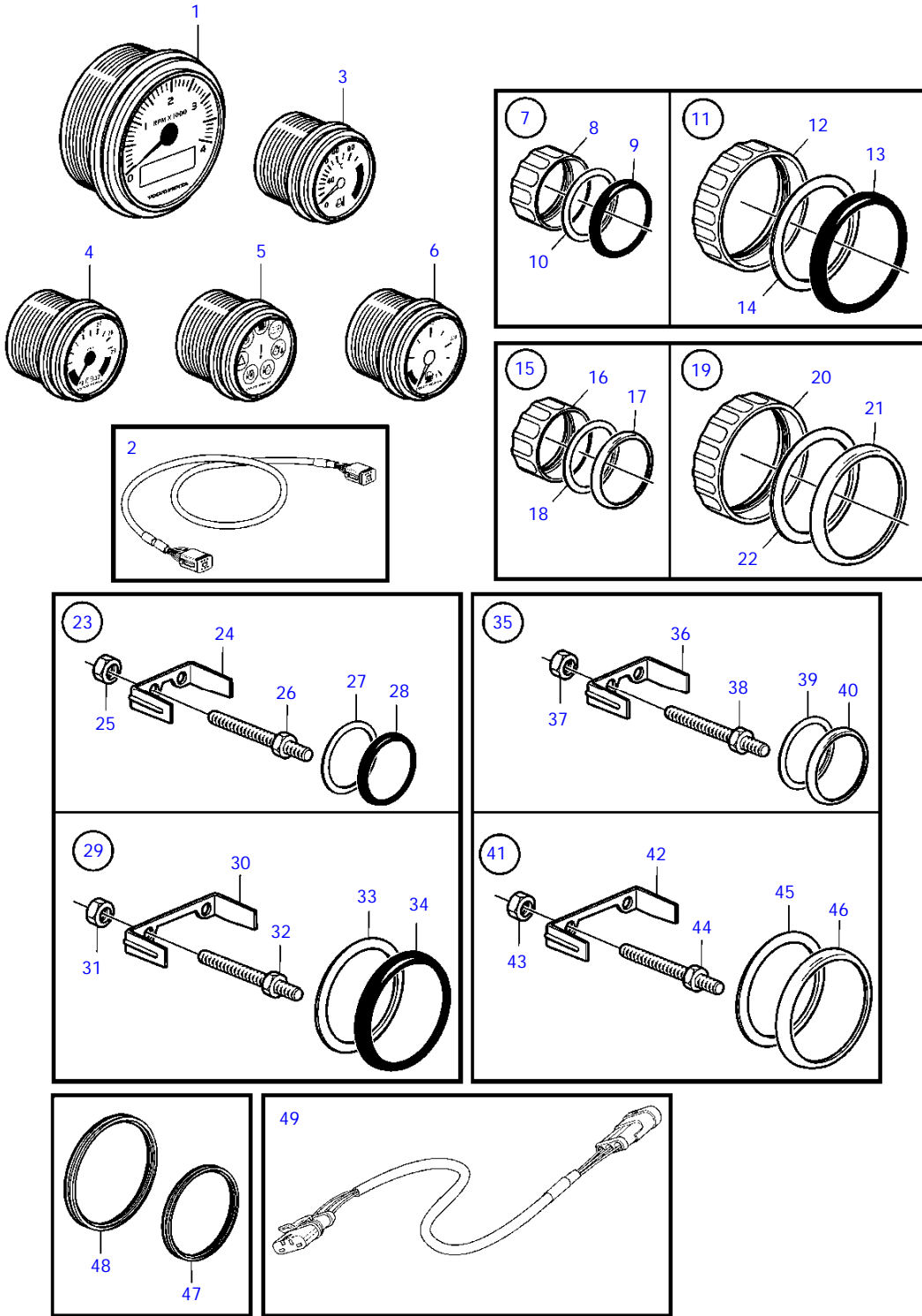
24426



D1-13F, D1-20F, D1-30F, D2-40F

REF	PART NO.	QTY	DESCRIPTION	NOTES
1			Electrical distribut	
2	21261871	1	* Control unit	Replaced by 21511215
	21511215	1	Electronic unit	Replaced by 21558939
	21558939	1	Electronic unit	
3	21273758	1	* Wiring harness	D1-13F, D1-20F
	21273760	1	* Wiring harness	D1-30F, D2-40F
4	948356	2	Flange screw	
5	948211	10	Cable tie	
6	948616	3	Cable tie	
7	3584127	1	Stop solenoid	
8	3580092	1	Sealing ring	
9	3944124	1	Sensor	
10	963684	1	Hex. socket screw	
11		1	Bracket	
12		2	Screw	
13	3963413	1	Ring	
14	21250645	1	Pressure switch	
15	1140598	1	Distributing contact	For double steering positions.
16	3809642	1	Current bar	D1-13
	3812103	1	Current bar	D1-20
	21192360	1	Connector	D1-30
	3886459	1	Current bar	D2-40
17	3809641	2	Glow plug	D1-13
	3809641	3	Glow plug	D1-20
	21192358	3	Glow plug	D1-30
	3809641	4	Glow plug	D2-40
18	3883704	2	Nut	D1-13
	3883704	3	Nut	D1-20, D1-30
	3883704	4	Nut	D2-40
19	827151	1	Temperature sensor	
20	11998	1	Gasket	
21	945081	1	Clamp	D2-40
22	947107	1	Flange screw	D2-40
23	21246653		Hexagon screw	Ground (hull), D1-13, D1-20
	21246686	1	Hexagon screw	Ground (hull), D1-30, D2-40
24	3580015	1	Spring washer	D1-13, D1-20
			Spring washer	D1-30, D2-40
25	3580108	1	Washer	D1-13, D1-20
	(3580399)	1	Washer	Obsolete part, D1-30, D2-40
26	974673	1	O-ring	
27	3594745	1	Wiring harness	
28	3887369	3	Strap	

D1-13B, D1-20B, D1-30B, D2-40B, D1-13F, D1-20F, D1-30F, D2-40F

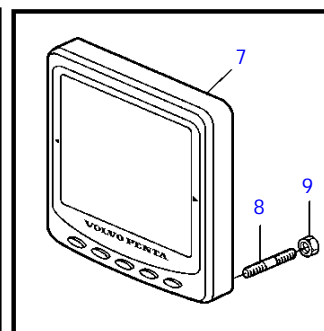
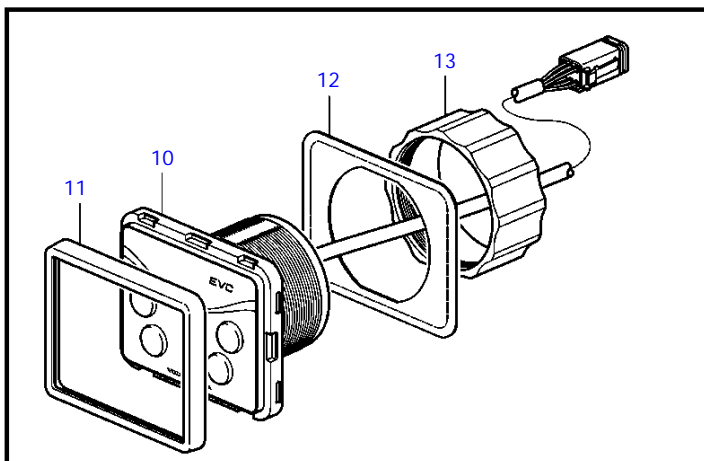
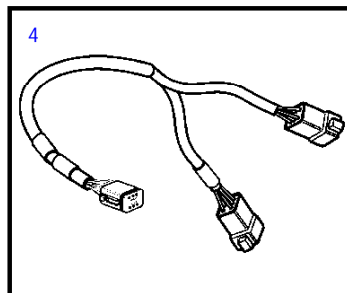
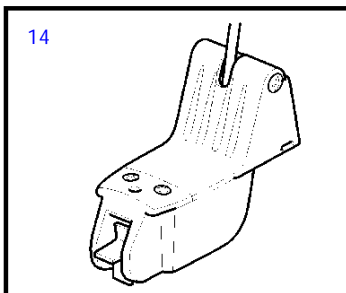
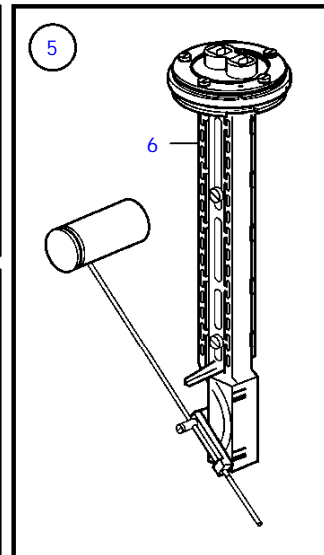
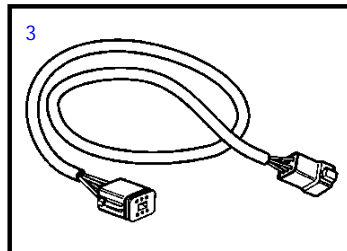
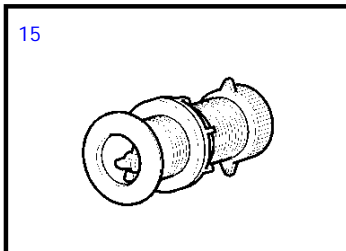
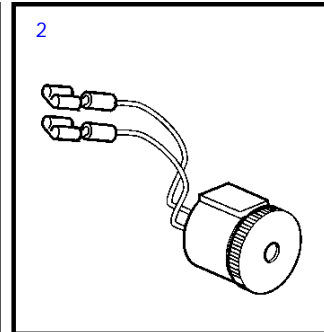
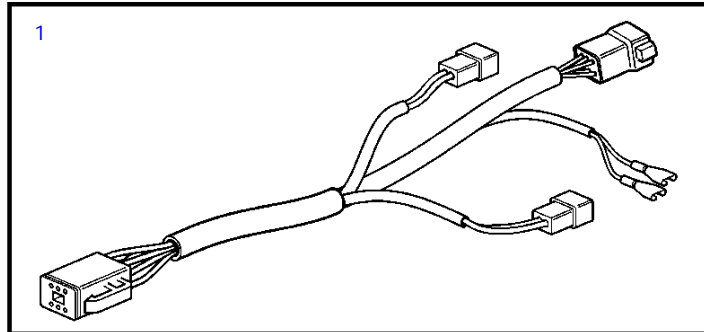


23568

D1-13B, D1-20B, D1-30B, D2-40B, D1-13F, D1-20F, D1-30F, D2-40F

REF	PART NO.	QTY	DESCRIPTION	NOTES
1	3885694	1	Tachometer	Black, 4000rpm
	3885695	1	Tachometer	White, 4000rpm
2	3886666	1	Cable	L=1500mm
	21166002	1	Wiring harness	L=7000mm
	21166003	1	Wiring harness	L=9000mm
	21166004	1	Wiring harness	L=13000mm
3	874904	1	Thermometer, coolant water	Black 0-120°C
	874921	1	Thermometer, coolant water	White 0-120°C
	874918	1	Thermometer, coolant water	Black 40-250 °F
	874931	1	Thermometer, coolant water	White 40-250 °F
4	881649	1	Voltmeter	12V, black
	881658	1	Voltmeter	12V, white
5	874915	1	Instrument, alarm	Black D=52mm
	874927	1	Instrument, alarm	White D=52mm
6	874914	1	Fuel gauge	Black D=52mm
	874926	1	Fuel gauge	White D=52mm
7	874709	1	Mounting kit	Black D=52mm
8	874450	1	* Attaching ring	
9	874448	1	* Ring	
10	874707	1	* Gasket	
11	874708	1	Mounting kit	Black D=85mm
12	874449	1	* Attaching ring	
13	874447	1	* Ring	
14	874706	1	* Gasket	
15	874733	1	Mounting kit	Chrome D=52mm
16	874450	1	* Attaching ring	
17	874731	1	* Ring	
18	874707	1	* Gasket	
19	874732	1	Mounting kit	Chrome D=85mm
20	874449	1	* Attaching ring	
21	874730	1	* Ring	
22	874706	1	* Gasket	
23	881611	1	Brace kit	Black D=52mm
24	881607	1	* Brace	
25	881610	2	* Nut	
26	881609	2	* Stud	
27	874707	1	* Gasket	
28	874448	1	* Ring	
29	881612	1	Brace kit	Black D=85mm
30	881608	1	* Brace	
31	881610	2	* Nut	
32	881609	2	* Stud	
33	874706	1	* Gasket	
34	874447	1	* Ring	
35	881613	1	Brace kit	Chrome D=52mm
36	881607	1	* Brace	
37	881610	2	* Nut	
38	881609	2	* Stud	
39	874707	1	* Gasket	
40	874731	1	* Ring	
41	881614	1	Brace kit	Chrome D=85mm
42	881608	1	* Brace	
43	881610	2	* Nut	
44	881609	2	* Stud	
45	874706	1	* Gasket	
46	874730	1	* Ring	
47	874843	1	X-ring, sealing	For flush mounting., D=52mm
48	874844	1	X-ring, sealing	For flush mounting., D=85mm
49	874759	1	Extension cable'verl, instrument	L=1000mm
	3807043	1	Extension cable'verl, instrument	L=3000mm

D1-13B, D1-20B, D1-30B, D2-40B, D1-13F, D1-20F, D1-30F, D2-40F

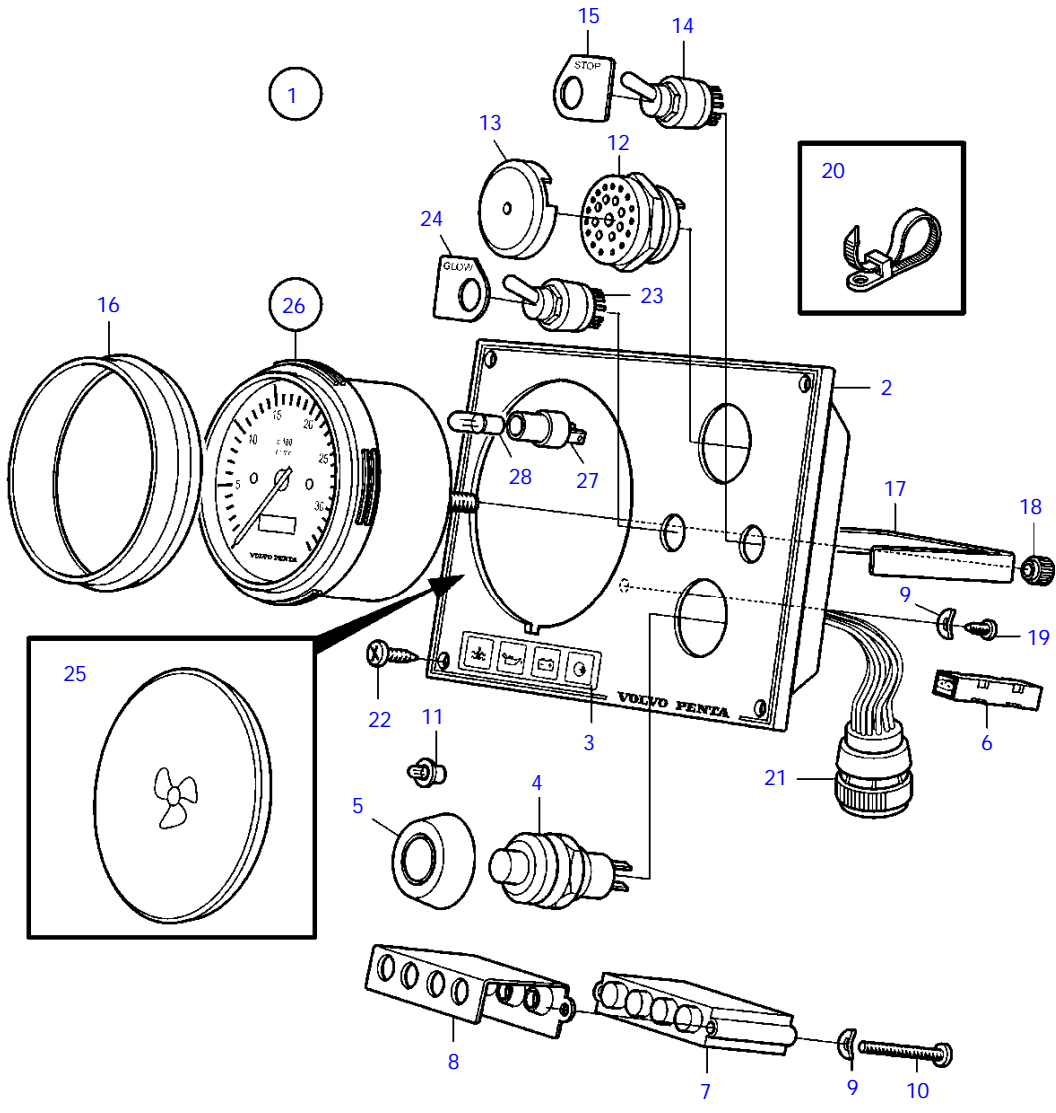


23570

D1-13B, D1-20B, D1-30B, D2-40B, D1-13F, D1-20F, D1-30F, D2-40F

REF	PART NO.	QTY	DESCRIPTION	NOTES
1	3888589	1	Wiring harness	
2	3817974	1	Alarm	
3	3842733	1	Extension cable'verl	L=3000mm
	3842734	1	Extension cable'verl	L=5000mm
	3842735	1	Extension cable'verl	L=7000mm
	3842736	1	Extension cable'verl	L=9000mm
	3842737	1	Extension cable'verl	L=11000mm
4	3588206	1	Cable kit, y-split	
	874760	1	Cable kit	For secondary helm station
5	3812291	1	Sensor kit	Replaced by 21575479
	21575479	1	Sensor kit	
6	873772	1	* Tank sensor	
7	21631438	1	Kit	
8	830928	4	* Stud	
9	830930	4	* Nut	
10	21144348	1	Control panel	
11	3808131	1	* Frame	
12	3808135	1	* Gasket	
13	3808134	1	* Nut	
14	3587055	1	Sensor	Mounted on transom
15	3587054	1	Sensor	Through hull

D1-13A, D1-20A, D1-30A, D2-40A



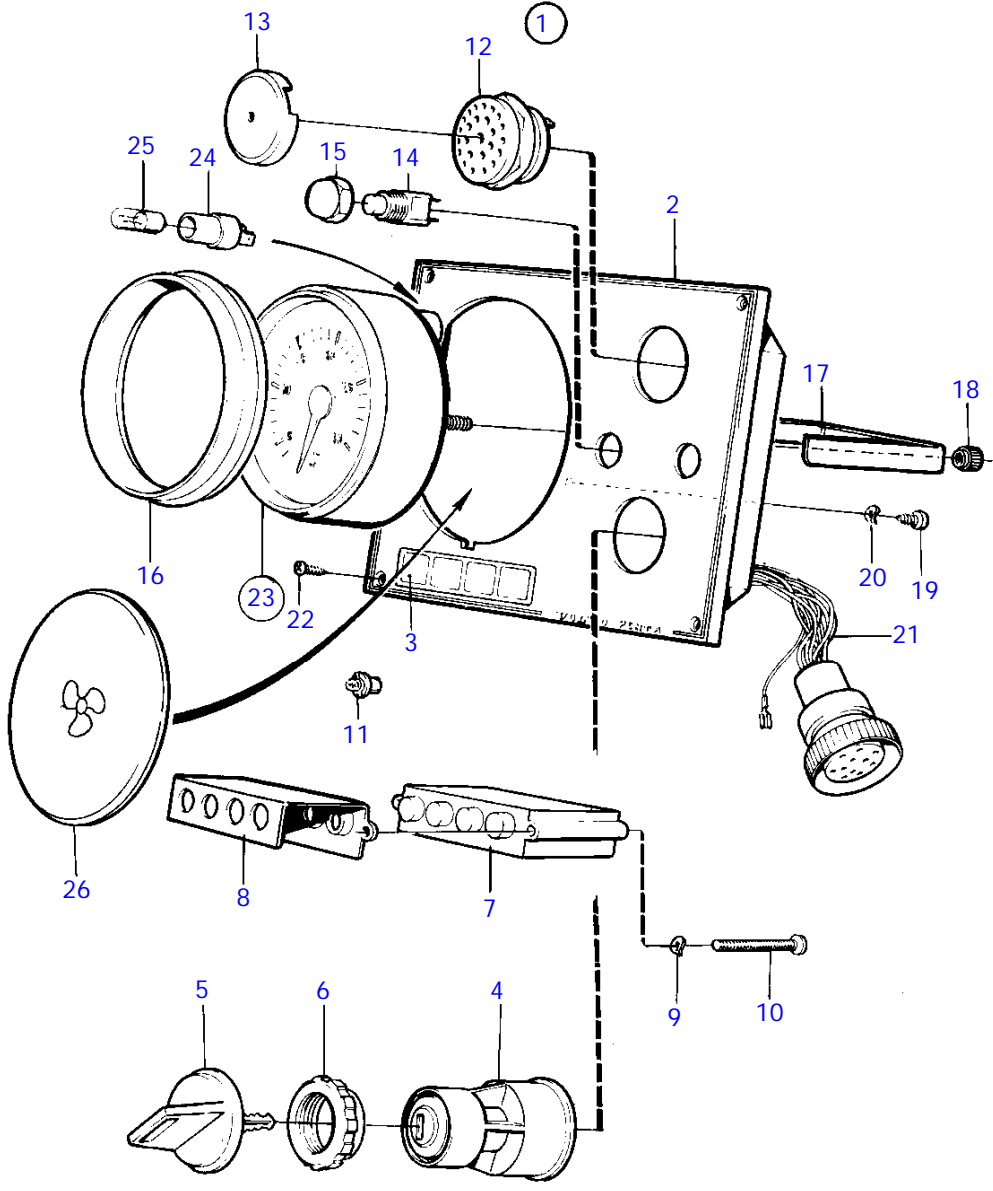
20351



D1-13A, D1-20A, D1-30A, D2-40A

REF	PART NO.	QTY	DESCRIPTION	NOTES
1	888565	1	Instrument panel	
2	872798	1	* Instrument panel	
3	858645	1	* Symbol strip	
4	843684	1	* Button	
5	837533	1	* Rubber cap	
6		1	* Diode	
7	873737	1	* Electronic unit	
8	828784	4	* Reflector	
9	941904	3	* Spring washer	
10	(941615)	2	* Cross recessed screw	Obsolete part
11	19923	1	* Bulb	12V
12	828587	1	* Buzzer	
13	858795	1	* Protecting casing	
14	3586251	1	* Breaker	
15	3586262	1	* Decal	
	828586	1	* Nut	
16	873517	1	* Ring	
17	873208	1	* Brace kit	
18		2	* Nut	
19	949947	1	* Cross recessed screw	
20	948211	2	* Cable tie	
21	3586264	1	* Wiring harness	
22	828647	4	* Screw	
23	872800	1	* Toggle switch	
24	872771	1	* Decal	
25	858648	1	Closure	Alt
26	873992	1	Tachometer kit	4600 rpm
27	863945	1	* Lamp socket	
28	863946	1	* Bulb	12V

D1-13A, D1-20A, D1-30A, D2-40A



16147

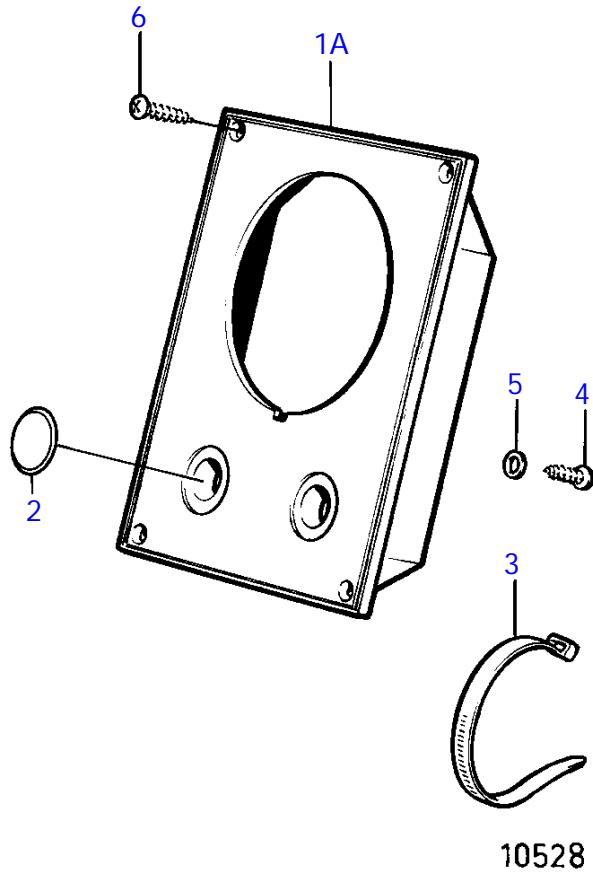


D1-13A, D1-20A, D1-30A, D2-40A

REF	PART NO.	QTY	DESCRIPTION	SEE SEC.	NOTES
1	3587077	1	Instrument panel		(873593)
2	860183	1	* Instrument panel		
3	858645	1	* Symbol strip		
4	3587072	1	* Starter switch		(864277)
5	859953	2	* • Key		State key code when ordering.
			* Bulletin 49-30	49-30-EN	Key P/N 859953
6	859955	1	* • Plastic nut		
7	873737	1	* Electronic unit		
8	828784	1	* Reflector		
9	941904	2	* Spring washer		
10	(941615)	2	* Cross recessed screw		Obsolete part
11	19923	4	* Bulb		12V
12	828587	1	* Buzzer		
13	858795	1	* Protecting casing		
14	828584	1	* Toggle switch		Alarm test
	828585	1	* Toggle switch		Instrument illumination
15	828586	2	* Nut		
16	873517	1	* Ring		
17	873208	1	* Brace kit		
18		2	* • Nut		
19	949947	1	* Cross recessed screw		
20	941904	1	* Spring washer		
21	828648	1	* Cable kit		
22	828647	4	* Screw		
23	873992	1	Tachometer kit		4600 rpm
24	863945	1	* Lamp socket		
25	863946	1	* Bulb		12V
26	858648	1	Closure		Alt

D1-13A, D1-20A, D1-30A, D2-40A

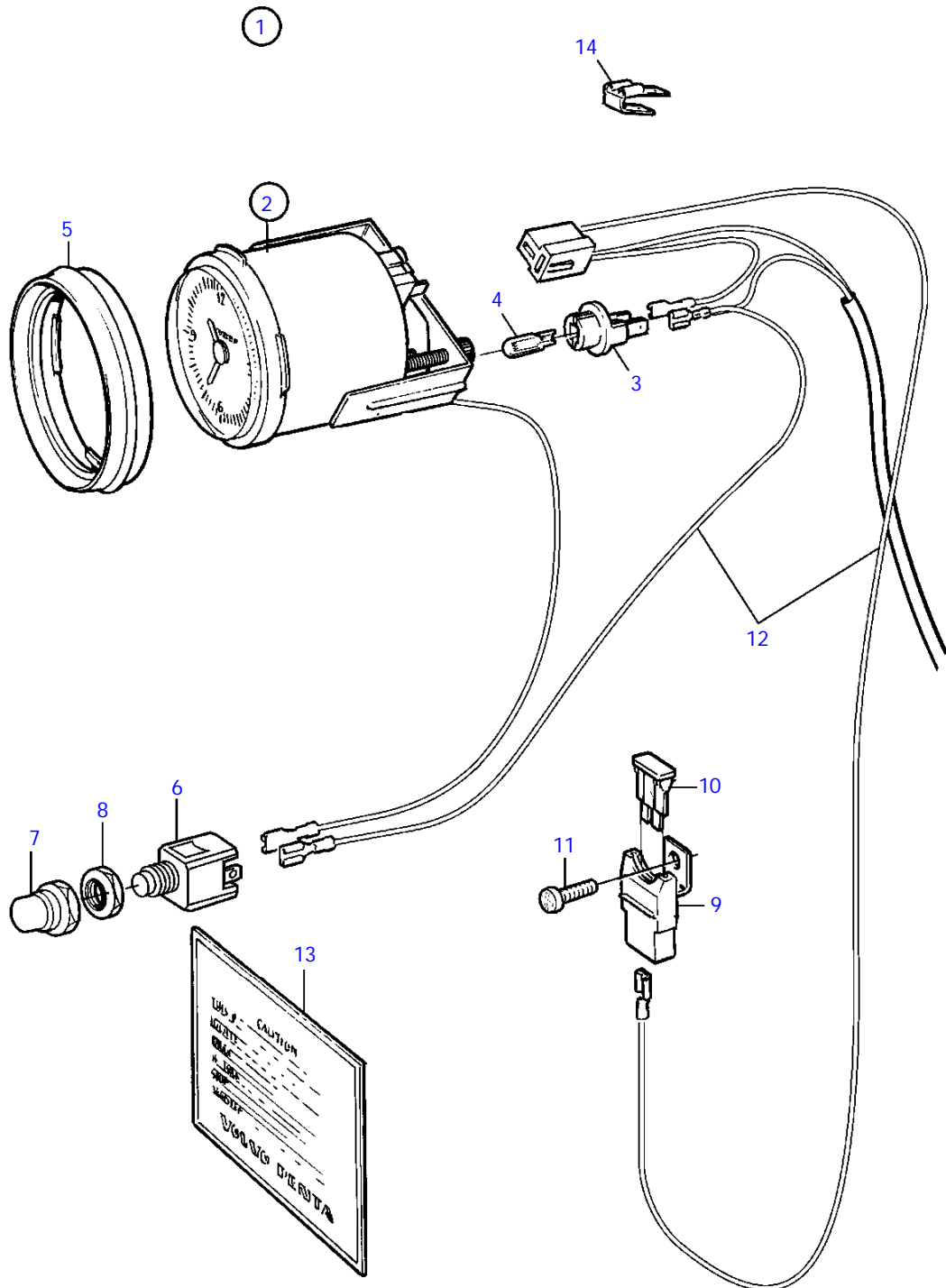
①



D1-13A, D1-20A, D1-30A, D2-40A

REF	PART NO.	QTY	DESCRIPTION	NOTES
1	(858873)	1	Instrument panel	For instruments with D=52mm., Obsolete part
1A	(858649)	1	* Instrument panel	Obsolete part, Replaced by 858873
2	828607	2	* Cover plate	
3	949666	1	* Cable tie	
4	949947	1	* Cross recessed screw	
5	941904	1	* Spring washer	
6	828647	4	* Screw	

D1-13A, D1-20A, D1-30A, D2-40A



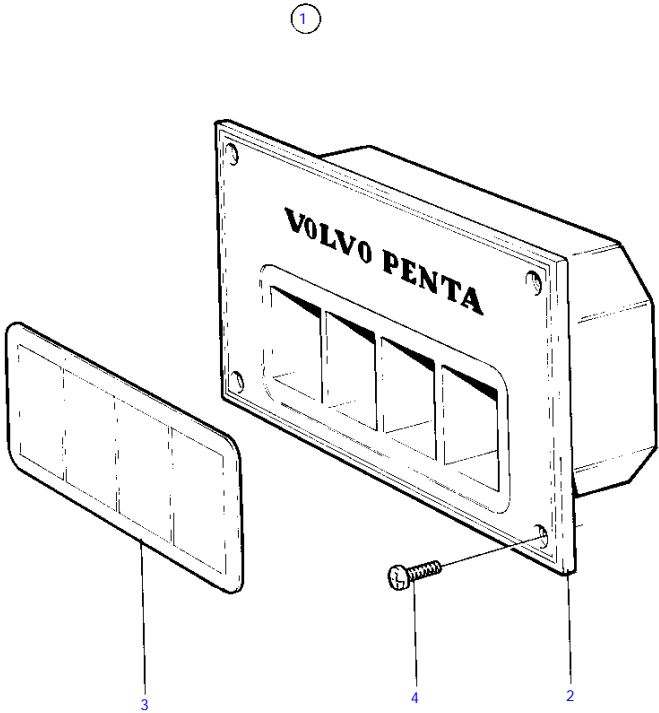
18576

D1-13A, D1-20A, D1-30A, D2-40A

REF	PART NO.	QTY	DESCRIPTION	NOTES
1	1140597	1	Clock kit	
2	856814	1	* Clock	
3	863945	1	* * Lamp socket	
4	863946	1	* * Bulb	
5	858643	1	* Front ring	
6	828584	1	* Toggle switch	
7	828586	1	* Nut	
8	872407	1	* Hexagon nut	
9	1323312	1	* Insulator	
10	981405	1	* Fuse	3A (969115)
11	972070	1	* 6 point socket screw	
12	872492	1	* Cable kit	
13	841242	1	* Label	
14	943950	1	* Switch	



D1-13A, D1-20A, D1-30A, D2-40A

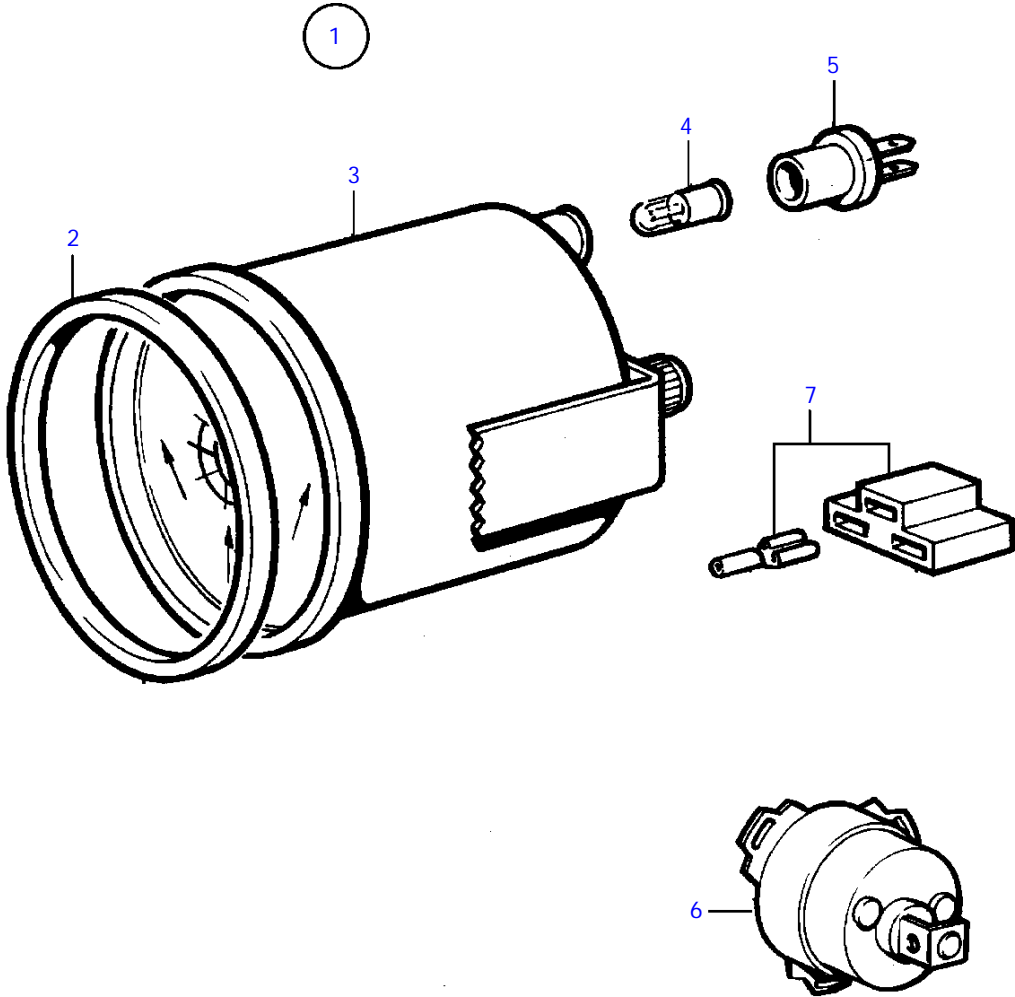


6710

D1-13A, D1-20A, D1-30A, D2-40A

REF	PART NO.	QTY	DESCRIPTION
1	858876	1	Symbol panel
2		1	* Symbol panel
3	858645	1	* Symbol strip
4	828647	4	* Screw

D1-13A, D1-20A, D1-30A, D2-40A

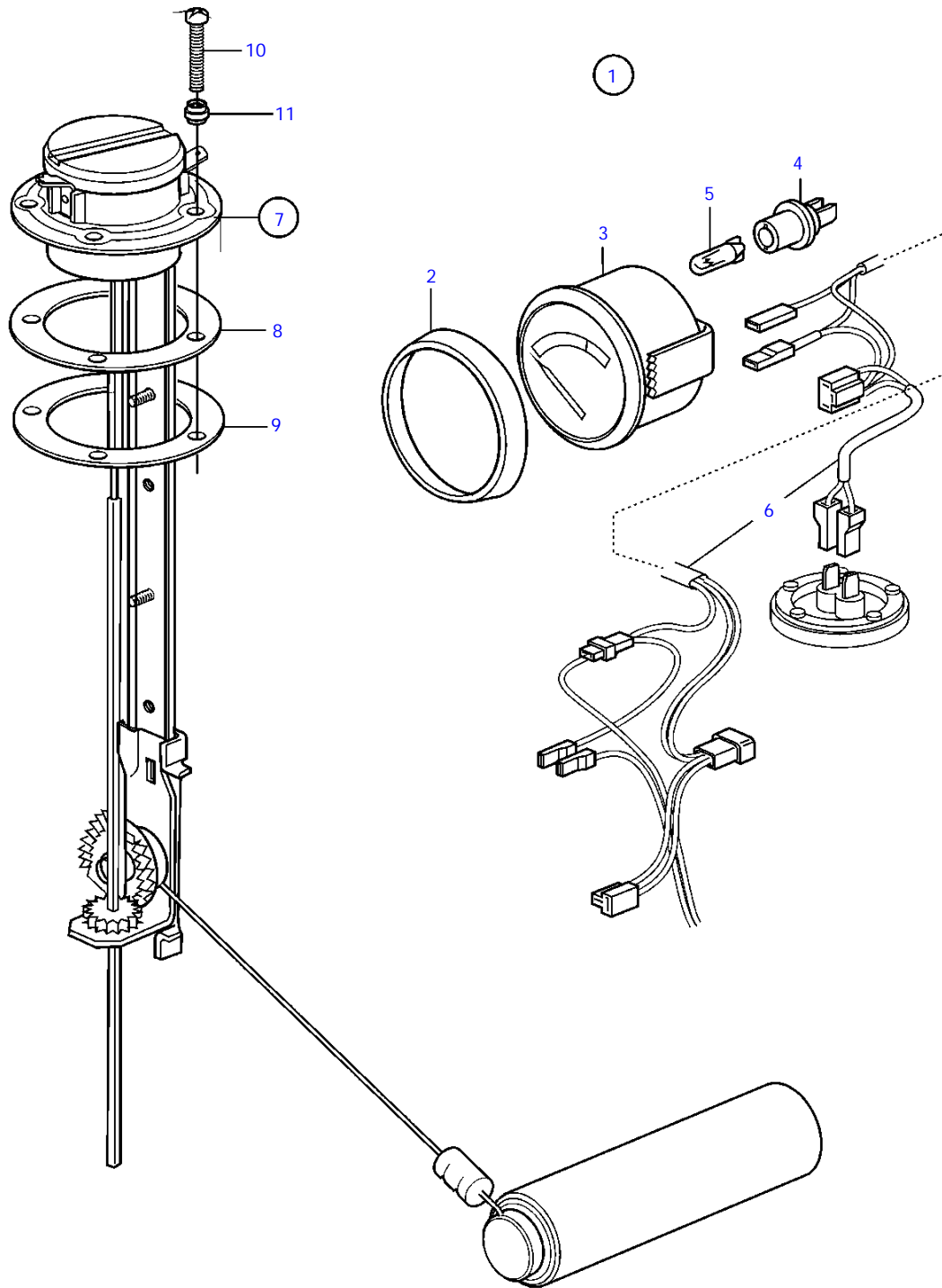


18581

D1-13A, D1-20A, D1-30A, D2-40A

REF	PART NO.	QTY	DESCRIPTION	SEE SEC.	NOTES
1	1140465	1	Rudder indicator kit		
2	858643	1	• Front ring		
3	863944	1	• Rudder indicator		
4	863946	1	• • Bulb		
5	863945	1	• • Lamp socket		For instrument 828698 should white bulb 19923 and socket 808175 be mounted.
6	837772	1	• Position sensor		
7		X	• electrical materials	1963	

D1-13A, D1-20A, D1-30A, D2-40A

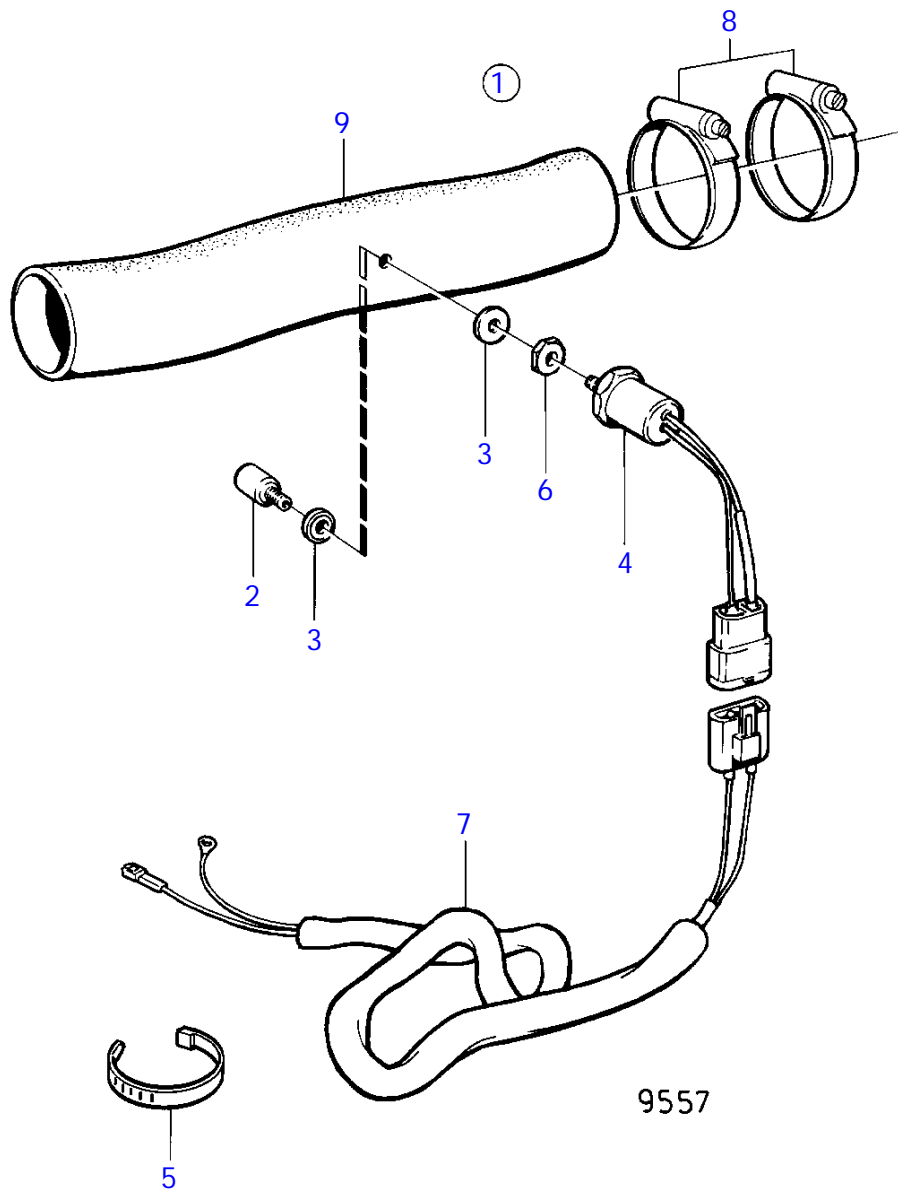


22912

D1-13A, D1-20A, D1-30A, D2-40A

REF	PART NO.	QTY	DESCRIPTION	NOTES
1	(1140462)	1	Water level gauge ki	12V (858881), Obsolete part
2	858643	1	* Front ring	
3	863942	1	* Water level gauge	
4	863945	1	* • Lamp socket	Use white bulb 19923 and socket 808175 for earlier gauges.
5	863946	1	* • Bulb	Use white bulb 19923 and socket 808175 for earlier gauges., 12V, 1,2W red
6		1	* Cable kit	
7	834389	1	* Tank sensor	
8	89865	1	* • Gasket	
9	834480	1	* • Flange	
10	969407	4	* • 6 point socket screw	(956078)
	969409	1	* • 6 point socket screw	
11	834481	5	* • Gasket	

D1-13A, D1-20A, D1-30A, D2-40A

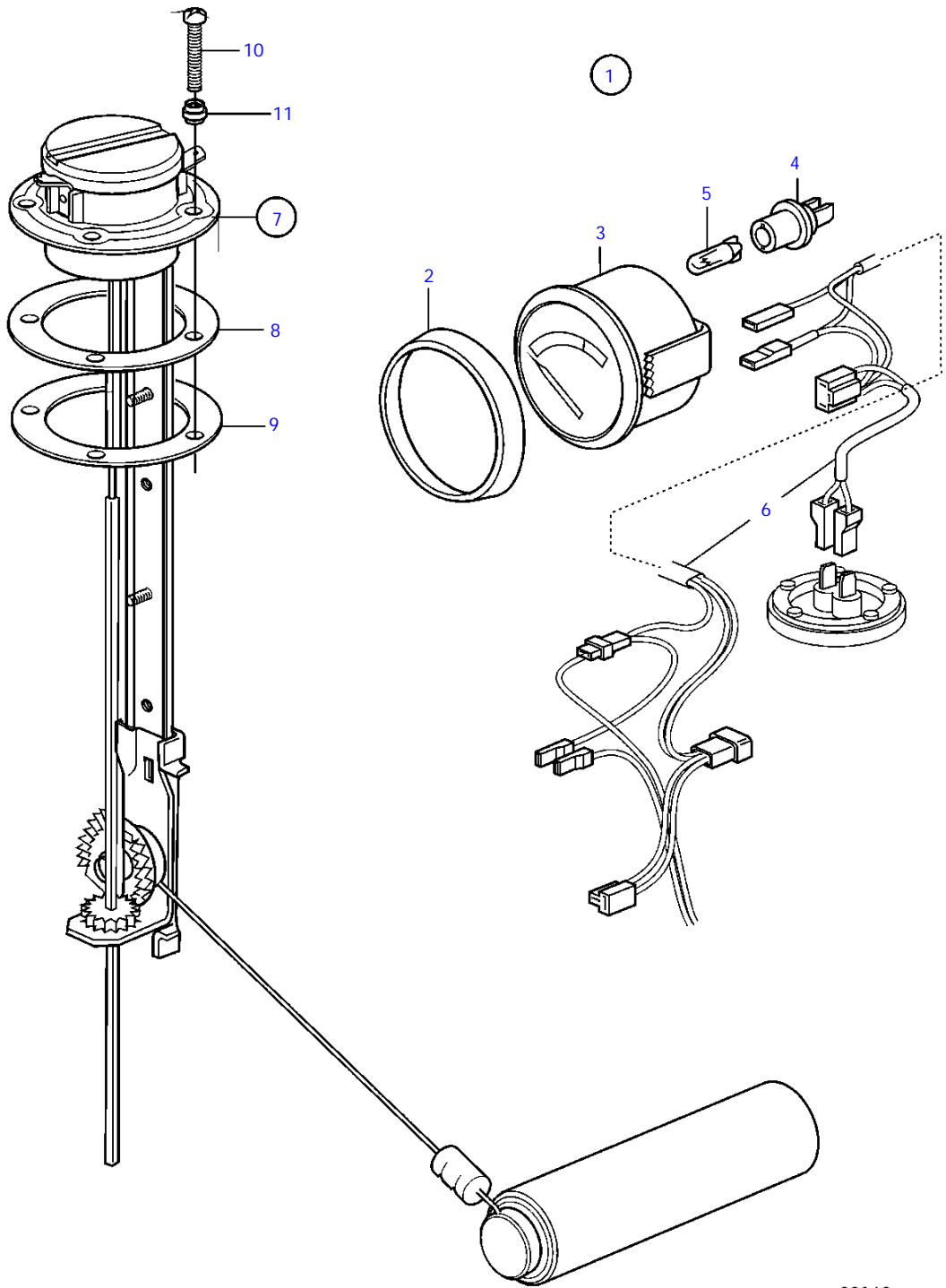


9557

D1-13A, D1-20A, D1-30A, D2-40A

REF	PART NO.	QTY	DESCRIPTION	SEE SEC.	NOTES
1	877773	1	Exhaust temperature		(828762)
2	828749	1	* Sensor		
3	828776	2	* Washer		
4	828761	1	* Thermo monitor		80°C
5	948211	1	* Cable tie		
6	828750	1	* Nut		
7		X	* cables and terminals	1963	
8	961671	X	Hose clamp		
9	1140665	X	Exhaust hose		(828463)

D1-13A, D1-20A, D1-30B, D2-40A



22912

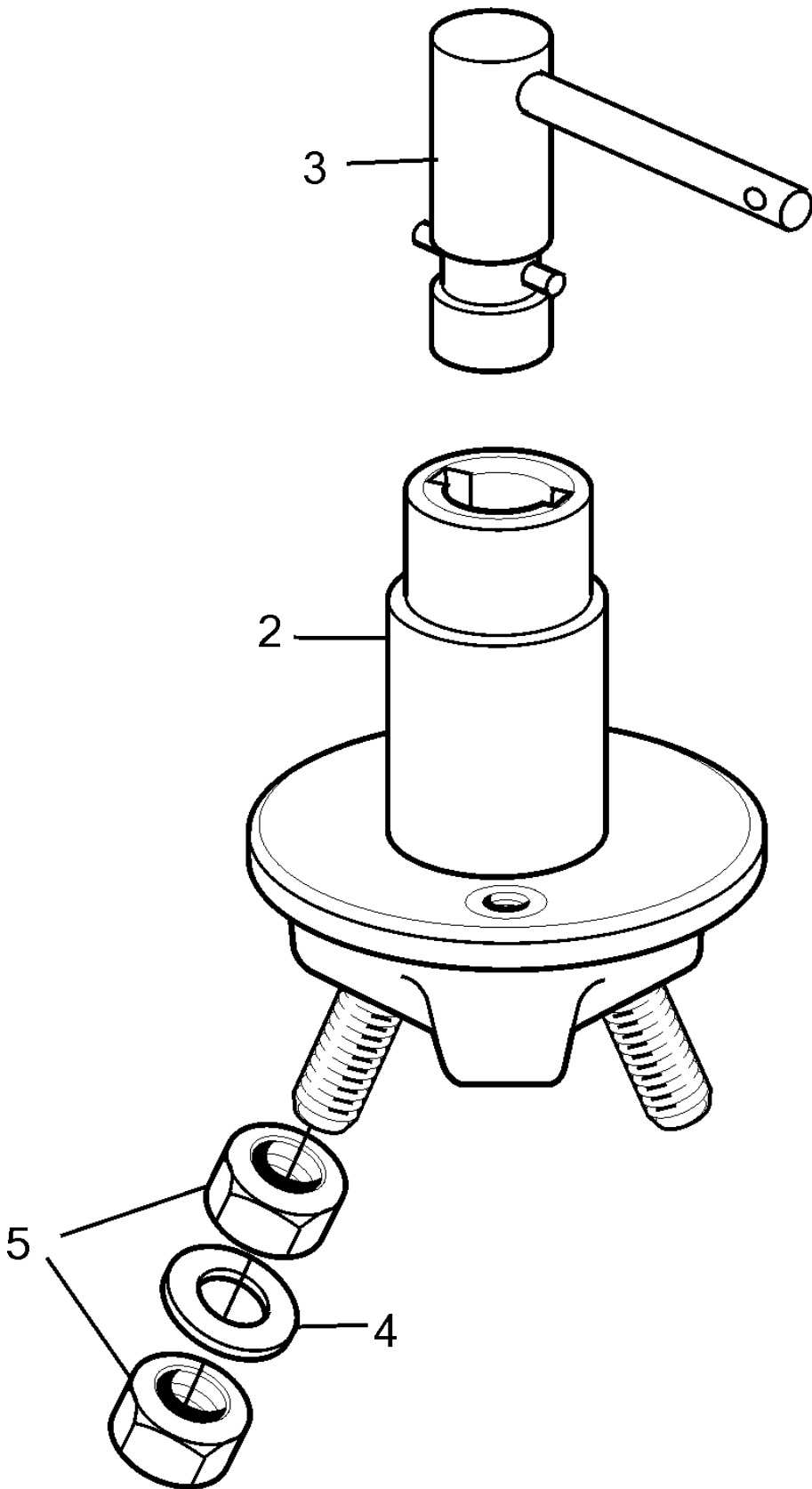


D1-13A, D1-20A, D1-30B, D2-40A

REF	PART NO.	QTY	DESCRIPTION	NOTES
1	873808	1	Fuel gauge	12V (858879)
2	858643	1	* Front ring	
3	863940	1	* Fuel gauge	
4	863945	1	* * Lamp socket	Use white bulb 19923 and socket 808175 for earlier gauges.
5	863946	1	* * Bulb	Use white bulb 19923 and socket 808175 for earlier gauges., 12V, 1,2W red
6	856867	1	* Cable kit	
7	873772	1	* Tank sensor	(837999)
8	89865	1	* * Gasket	
9	834480	1	* * Flange	
10	969407	4	* * 6 point socket screw	(956078)
	969409	1	* * 6 point socket screw	
11	834481	5	* * Gasket	

D1-13A, D1-13B, D1-20A, D1-20B, D1-30A, D1-30B, D2-40A, D2-40B, D1-13F, D1-20F, D1-30F, D2-40F

1



22913



Main Battery Switch

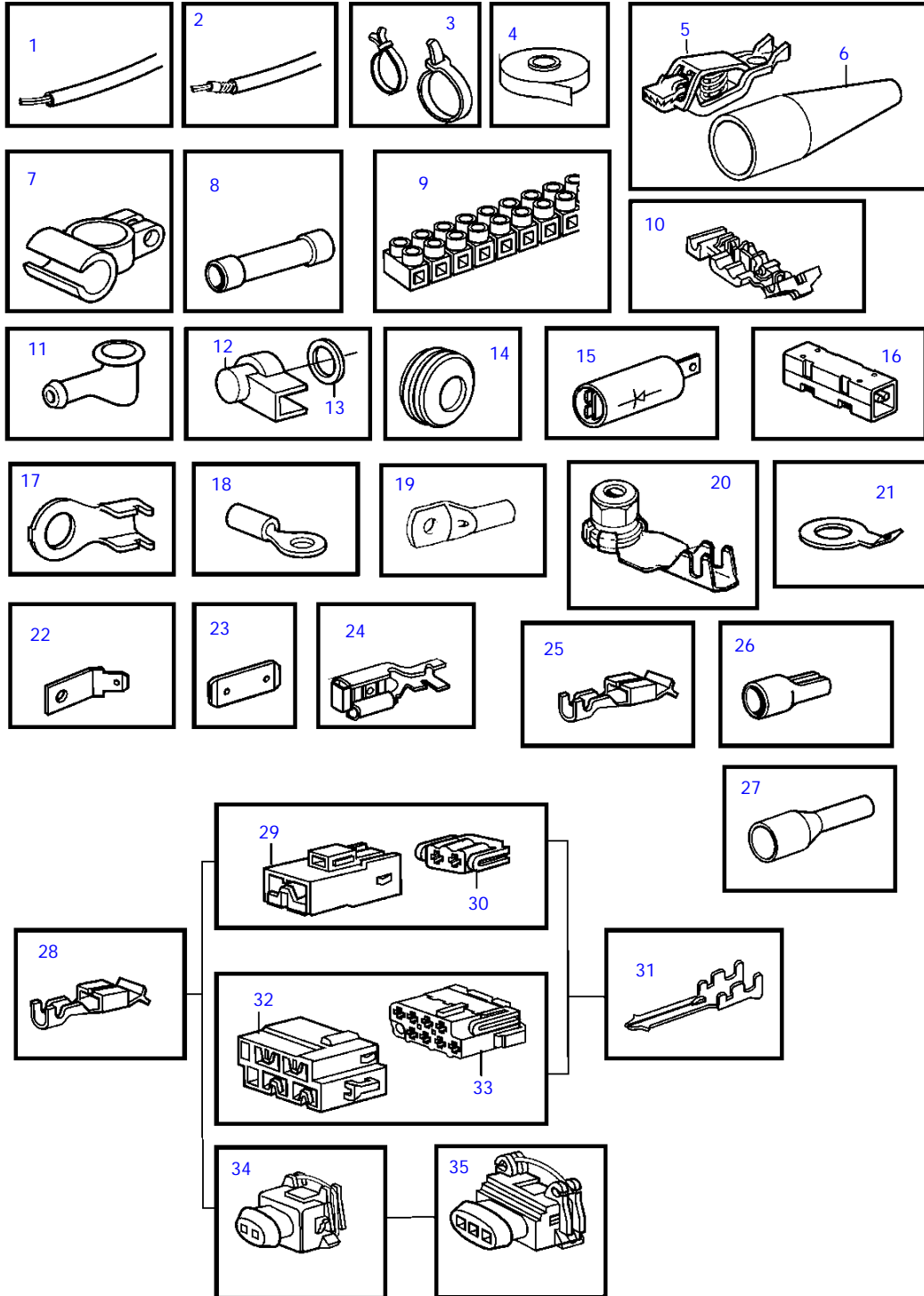
30

D1-13A, D1-13B, D1-20A, D1-20B, D1-30A, D1-30B, D2-40A, D2-40B, D1-13F, D1-20F, D1-30F, D2-40F

REF	PART NO.	QTY	DESCRIPTION
1	1140319	1	Battery main switch
2		1	* Switch
3	1140427	1	* Cock handle
4	1140428	2	* Washer
5	17602	4	* Hexagon nut



D1-13A, D1-13B, D1-20A, D1-20B, D1-30A, D1-30B, D2-40A, D2-40B, D1-13F, D1-20F, D1-30F, D2-40F

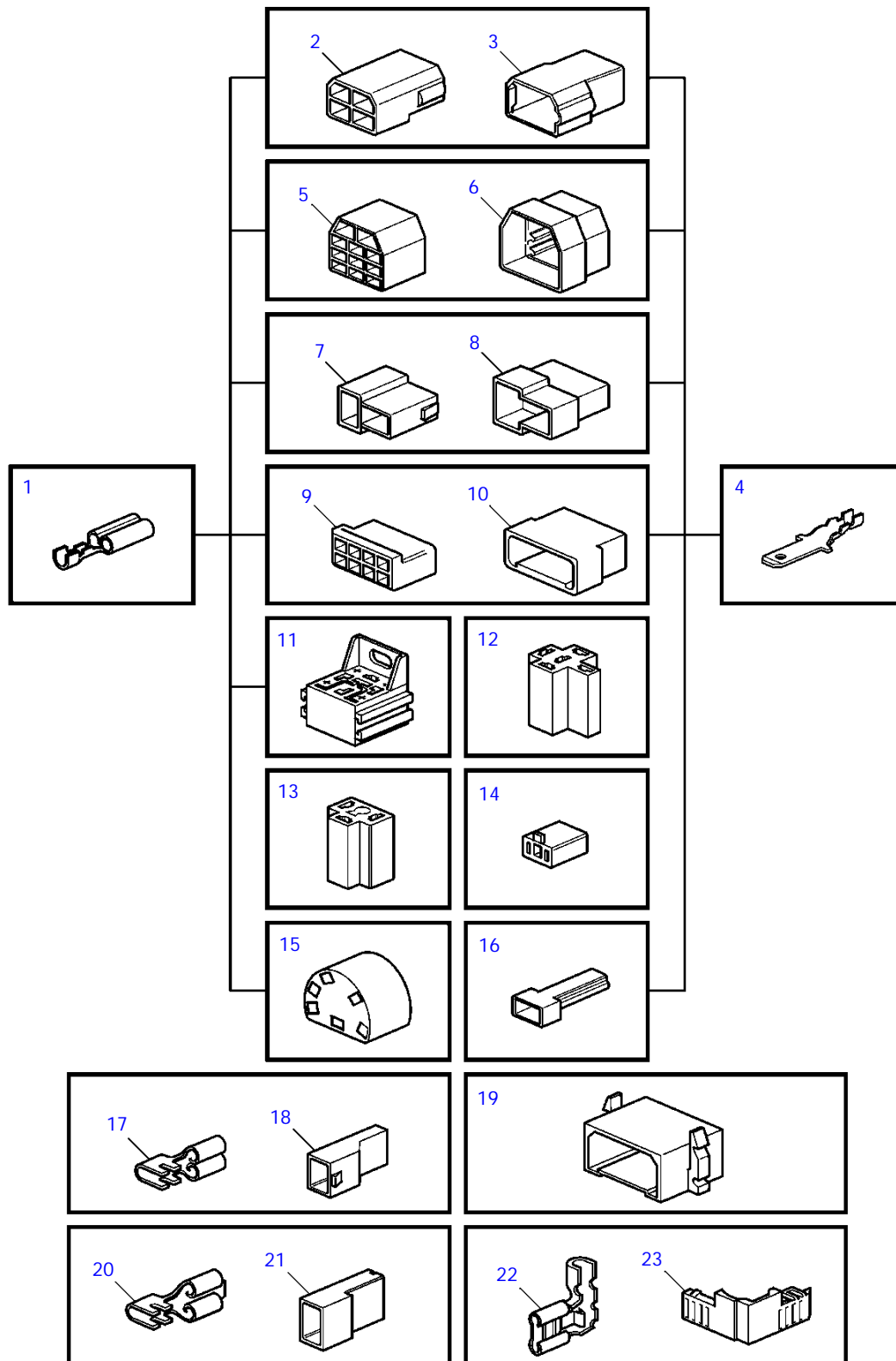


18567

D1-13A, D1-13B, D1-20A, D1-20B, D1-30A, D1-30B, D2-40A, D2-40B, D1-13F, D1-20F, D1-30F, D2-40F

REF	PART NO.	DESCRIPTION	NOTES
1	970624	Electric cable, type RK	1,5mm ² , black
	970626	Electric cable, type RK	1,5mm ² , red
	970661	Electric cable, type R2	1,5mm ² , red
	(970663)	Electric cable, type R2	Obsolete part, 2,5mm ² , black
	970698	Electric cable, type R2	2,5mm ² , red
	970700	Electric cable, type RK	4,0mm ² , black
	(970709)	Electric cable, type RK	Obsolete part, 6,0mm ² , black
	970711	Electric cable, type R2	6,0mm ² , red
	954485	Electric cable, type RK	16,0mm ² , red
	(954500)	Electric cable, type RK	Obsolete part, 25,0mm ² , red
	954502	Electric cable, type RK	35,0mm ² , red
2	874854	Power cable	Non reinforced ship cable approved by classification societies., 2x1,5mm ²
	(863657)	Cable	Obsolete part, Reinforced ship cable approved by classification societies., 4,0mm ² , red
	874855	Power cable	Non reinforced ship cable approved by classification societies., 2x2,5mm ²
	(842092)	Cable	Obsolete part, Non reinforced ship cable approved by classification societies., 3x1,5mm ²
	(874858)	Power cable	Obsolete part, Non reinforced ship cable approved by classification societies., 6,0mm ² , black
	(842090)	Cable	Obsolete part, Non reinforced ship cable approved by classification societies., 16,0mm ² , red
	874861	Power cable	Non reinforced ship cable approved by classification societies., 25,0mm ² , red
	874862	Power cable	Non reinforced ship cable approved by classification societies., 35,0mm ² , red
	846639	Electric cable	Non reinforced ship cable approved by classification societies., 2x1,5mm ²
	874870	Power cable	Non reinforced ship cable approved by classification societies., 2x1,5mm ²
	872679	Wiring harness	(846346)
	872939	Adapter	(846346)
	(874346)	Electric cable	Obsolete part, Reinforced ship cable approved by classification societies., RFOU 0,6/1kv
3	948211	Cable tie	3x1,5mm ²
	949666	Cable tie, with mount. Hole	3x4,0mm ²
	948616	Cable tie	3x6,0mm ²
	862832	Cable tie, steel	4x1,5mm ²
4	858283	Tape	4x2,5mm ²
5	844280	Clip, battery cable +pole	16x1,5mm ²
6	(844278)	Isolation	Obsolete part, Red
	(844279)	Isolation	Obsolete part, Black
7	954505	Cable terminal, battery cable -pole	D=77mm L=280mm
	954506	Cable terminal, battery cable +pole	D=42mm L=170mm
8	956956	Splice	D=102mm L=362mm
	956958	Splice	1,5-2,5mm ² , blue
	956960	Splice	L=61mm
9	926219	Coupling piece	Black
10	944306	Connector	Blue
11	829200	Protective cap	0,5-1,0mm ² , red
12	(1234326)	Protecting casing	Obsolete part, 1,5-2,5mm ² , blue
13	960140	Washer	3-6mm ² , yellow
14	941269	Plug	Max 20mm ² , 12-pole
	821053	Protecting bushing	I.D.=35mm
	943920	Plug	I.D.=40mm
15		Diode	
16		Diode	
17	970788	Cable terminal	M5x1,1-2,5mm ²
	970789	Cable terminal	M6x1,1-2,5mm ²
	(970791)	Cable terminal	Obsolete part, M10x1,1-2,5mm ²
18	881492	Cable terminal	M4x1,1-2,5mm ²
	881493	Cable terminal	M5x1,1-2,5mm ²
	881508	Cable terminal	M6x1,1-2,5mm ²
	881494	Cable terminal	M8x1,1-2,5mm ²
	881504	Cable terminal	M10x1,1-2,5mm ²
	881506	Cable terminal	M4x2,6-6,0mm ²
	881495	Cable terminal	M5x2,6-6,0mm ²
	881496	Cable terminal	M6x2,6-6,0mm ²
	881497	Cable terminal	M8x2,6-6,0mm ²
	881498	Cable terminal	M10x2,6-6,0mm ²
	940331	Cable terminal	M5x6,1-10,0mm ²
	940332	Cable terminal	M6x6,1-10,0mm ²
	940333	Cable terminal	M8x6,1-10,0mm ²
	(940334)	Cable terminal	Obsolete part, M10x6,1-10,0mm ²
	881512	Cable terminal	M5x10,1-16,0mm ²
	940335	Cable terminal	M6x10,1-16,0mm ²
	940336	Cable terminal	M8x10,1-16,0mm ²
	940337	Cable terminal	M10x10,1-16,0mm ²
19	949587	Cable terminal	M10x10mm ²
20	8140576	Nut	M4
21	865758	Cable terminal	I.D.=12,5 D=23mm
22	944485	Cable terminal	6,3xM5x180
23	839328	Tab	16,3x6,3x0,8
24	881491	Cable terminal	6,3x0,75-2,1mm ²
25	853015	Cable terminal	For trim instrument., For 853866, Yasaki
26	942429	Cable terminal	For 853866, Yasaki
27	3829867	Cable terminal	
	3829868	Cable terminal	
28	970777	Cable terminal	
29	968377	Housing	2,8x2 natural
	968379	Housing	2,8x2 gray
30	968376	Housing	4,8/2,8x2 natural
	968378	Housing	4,8/2,8x2 gray
31	974313	Cable terminal	2,8x0,8x1,1-2,5mm ²
32	968401	Housing	2,8x8 natural
33	968400	Housing	4,8/2,8x8 natural
34	976256	Housing	2-pole
35	967713	Housing	3-pole

D1-13A, D1-13B, D1-20A, D1-20B, D1-30A, D1-30B, D2-40A, D2-40B, D1-13F, D1-20F, D1-30F, D2-40F

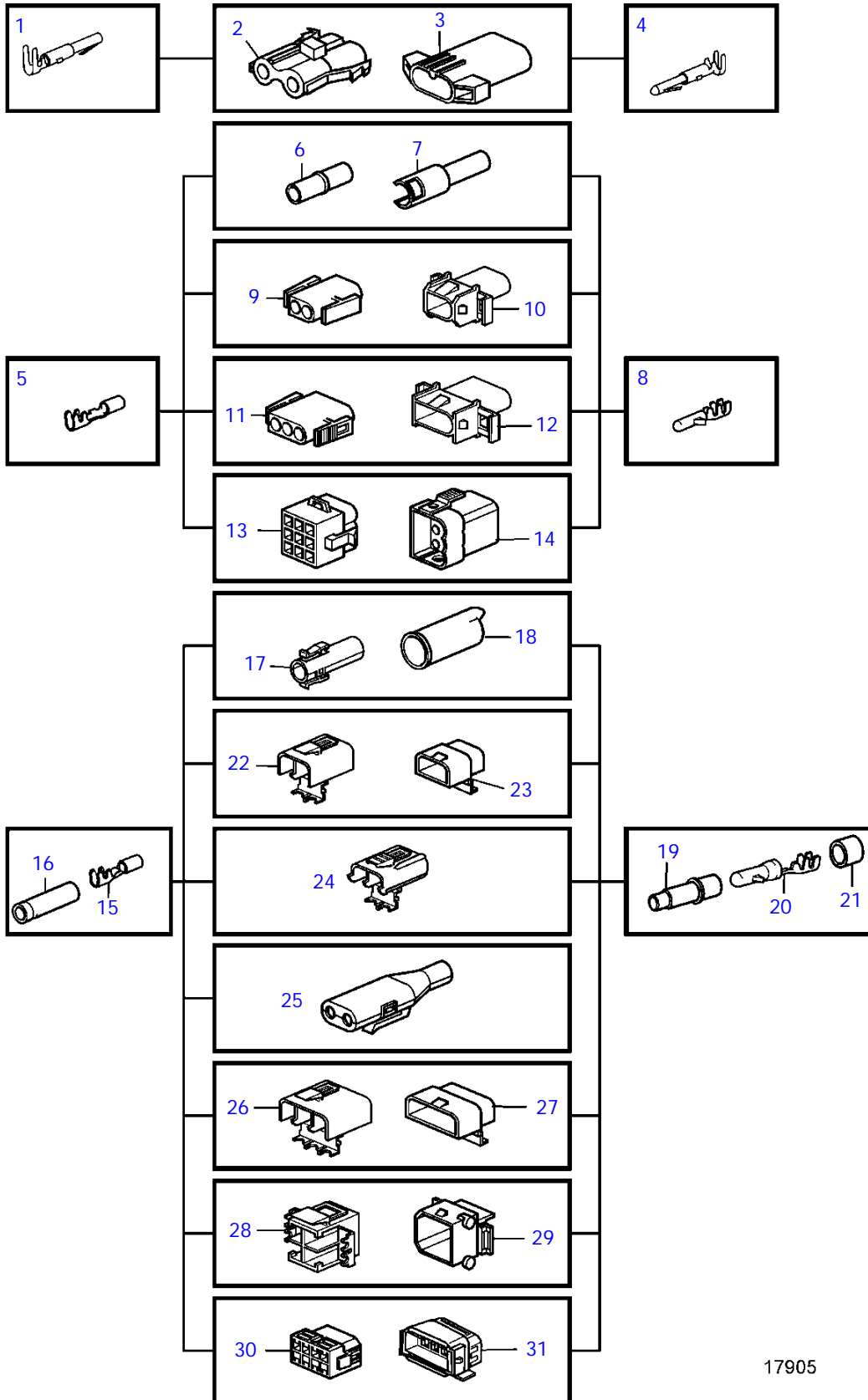


15819

D1-13A, D1-13B, D1-20A, D1-20B, D1-30A, D1-30B, D2-40A, D2-40B, D1-13F, D1-20F, D1-30F, D2-40F

REF	PART NO.	DESCRIPTION	NOTES
1	973150	Cable terminal	6,3x0,8x1,1-2,5mm ²
	949206	Cable terminal	6,3x0,8x4,0-6,0mm ²
2	948856	Housing	6,3x4 natural
3	948855	Housing	6,3x4 natural
4	973117	Cable terminal	6,3x0,8x0,5-1,0mm ²
	881487	Cable terminal	6,3x0,8x0,75-2,5mm ²
	881488	Cable terminal	6,3x0,8x4,0-6,0mm ²
5	945830	Housing	6,3x11 natural
6	945831	Tab housing	6,3x11 natural
7	958210	Housing	6,3x2 black
8	958209	Housing	6,3x2 black
9	944076	Housing	6,3x8 natural
10	948857	Housing	6,3x8 natural
11	977184	Housing	6,3x5x4,8/2,8x4
12	1214948	Housing	6,3x5 black
13	945469	Housing	6,3x3 black
14	1578937	Housing	6,3x2 natural
15	828624	Receptacle housing	6,3x6
16		Housing	6,3x1 black
17	949405	Cable terminal	4,8x1,1-2,5mm ²
18	947848	Housing	4,8x1 natural
19	944077	Housing	6,3x8 natural
20	881483	Cable terminal	6,3x0,8x1,1-2,5mm ²
	881484	Cable terminal	6,3x0,8x4,0-6,0mm ²
21	949597	Housing	6,3x1 natural
	943511	Housing	6,3x1 natural
22	881489	Cable terminal	6,3x0,8x1,1-2,5
23	944221	Housing	6,3x1 natural

D1-13A, D1-13B, D1-20A, D1-20B, D1-30A, D1-30B, D2-40A, D2-40B, D1-13F, D1-20F, D1-30F, D2-40F

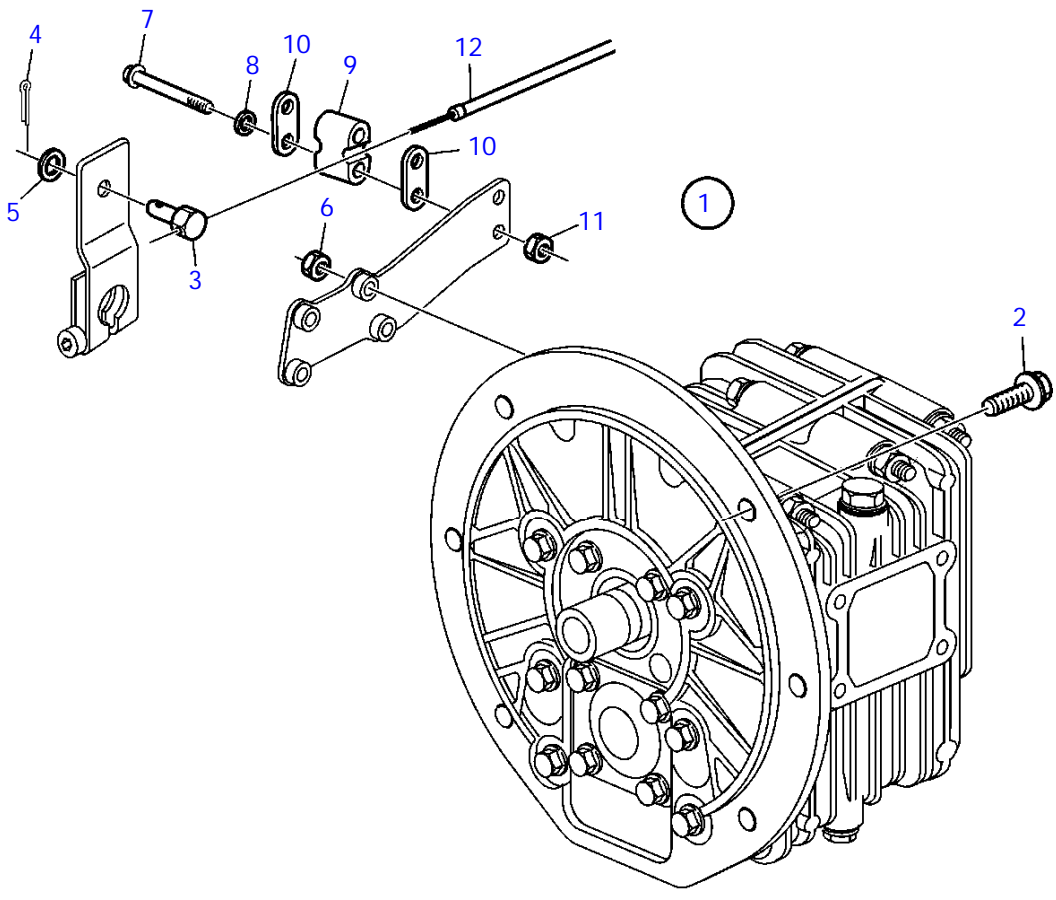


17905

D1-13A, D1-13B, D1-20A, D1-20B, D1-30A, D1-30B, D2-40A, D2-40B, D1-13F, D1-20F, D1-30F, D2-40F

REF	PART NO.	DESCRIPTION	NOTES
1	946038	Cable terminal	2,1x0,5-1mm ²
2	944224	Housing	2-pole
3	944223	Housing	2-pole
4		Cable terminal	Not marketed by Volvo Penta., 2,1x0,5-1mm ²
5	965822	Cable terminal	3,5x1,1-2,5mm ²
	948289	Cable terminal	3,5x2,5-4,0mm ²
6	949584	Housing	3,5x1 natural
7	949583	Housing	3,5x1 natural
8	969831	Cable terminal	3,5x0,5-1mm ²
	965824	Cable terminal	3,5x1,1-2,5mm ²
	965825	Cable terminal	3,5x2,6-4,0mm ²
9	948996	Housing	3,5x2 natural
10	948995	Housing	3,5x2 natural
11	948296	Housing	3,5x3 natural
12	948297	Housing	3,5x3 natural
13	948294	Housing	3,5x9 natural
14	948295	Housing	3,5x9 natural
15	949371	Cable terminal	3,5x0,75-1,5mm ²
	1598753	Insulator	3,5x2,5-4,5mm ²
16	1598753	Insulator	
17	1307035	Housing	1-pole
18	1308436	Housing	1-pole
19	1608765	Insulator	
20	965824	Cable terminal	3,5x2,5-4,5mm ²
21	1608766	Seal	
22	1307048	Housing	2-pole
23	1307049	Housing	2-pole
24	970753	Housing	2-pole
25	1624477	Housing	2-pole
26	1259828	Housing	3-pole
27	3523442	Pin housing	3-polig (1259829)
28	1259830	Housing	4-pole
29	1259831	Housing	4-pole
30	966812	Housing	8-pole
31	967809	Housing	8-pole

D1-13A, D1-13B, D1-20A, D1-20B, D1-30A, D1-30B, D1-13F, D1-20F, D1-30F



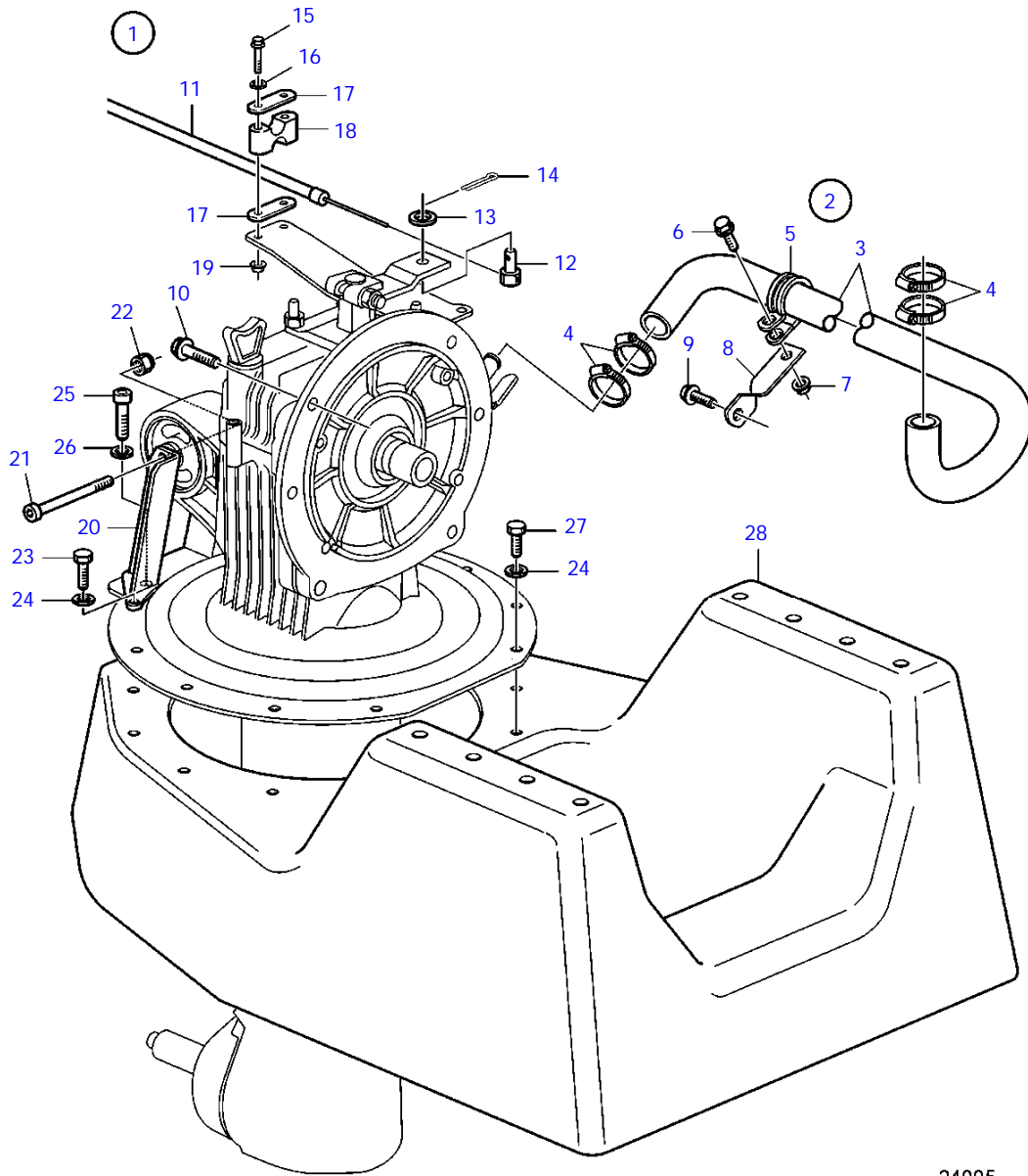
22929



D1-13A, D1-13B, D1-20A, D1-20B, D1-30A, D1-30B, D1-13F, D1-20F, D1-30F

REF	PART NO.	QTY	DESCRIPTION	SEE SEC.	NOTES
1	3809120	1	Reversing gear kit		MS10A-B, ratio 2.35:1
	3809121	1	Reversing gear kit		MS10A-B, ratio 2.72:1
	3809122	1	Reversing gear kit		MS10L-B, ratio 2.35:1
	3809123	1	Reversing gear kit		MS10L-B, ratio 2.72:1
2	946329	6	Flange screw		
3	814082	1	Cube		
4	17276	1	Split pin		
5	941906	1	Spring washer		
6	945467	4	Lock nut		
7	969439	2	6 point socket screw		
8	940090	2	Washer		
9	872076	2	Washer		
10	872074	2	Retainer		
11	949874	2	Flange lock nut		
12		1	shift cable	231	

D1-13A, D1-13B, D1-20A, D1-20B, D1-30A, D1-30B, D2-40A, D2-40B, D1-13F, D1-20F, D1-30F, D2-40F



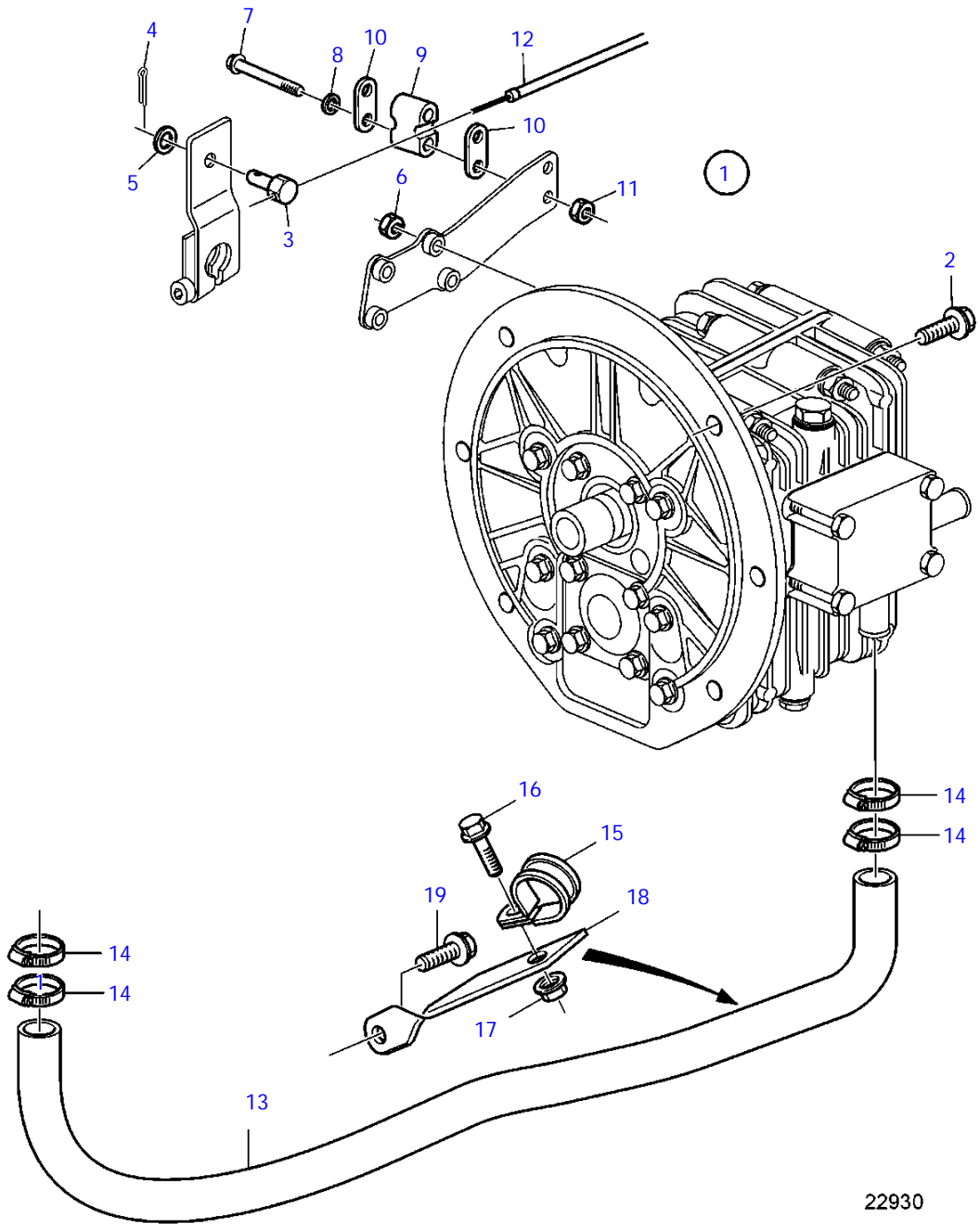
24005

D1-13A, D1-13B, D1-20A, D1-20B, D1-30A, D1-30B, D2-40A, D2-40B, D1-13F, D1-20F, D1-30F, D2-40F

REF	PART NO.	QTY	DESCRIPTION	SEE SEC.	NOTES
1	3819867	1	Sail drive		Ratio 2.19:1
2	3841379	1	Kit		
3		1	* Hose		
4	961666	4	* Hose clamp		
5	952637	1	* Clamp		
6	946934	1	* Flange screw		
7	945407	1	* Flange nut		
8	354842	1	Bracket		
9		1	Flange screw		
10	946752	4	Flange screw		
11		1	Control cable	231	
12	3852329	1	Cube		
13	941906	1	Spring washer		
14	17276	1	Split pin		
15	969439	2	6 point socket screw		
16	940090	2	Washer		
17	872076	2	Washer		
18	872074	1	Retainer		
19	949874	2	Flange lock nut		
20	3841849	1	Bracket		
21		1	Hex. socket screw		
22		1	Lock nut		
23	963568	2	Hexagon screw		
24	941670	10	Washer		
25		2	Hex. socket screw		
26	853095	2	Washer		
27	946730	8	Hexagon screw		
28	3842284	1	Engine bed		

44 Connection Kit for Reverse Gear, MS10A-B, MS10L-B, MS15A-B, MS15L-B

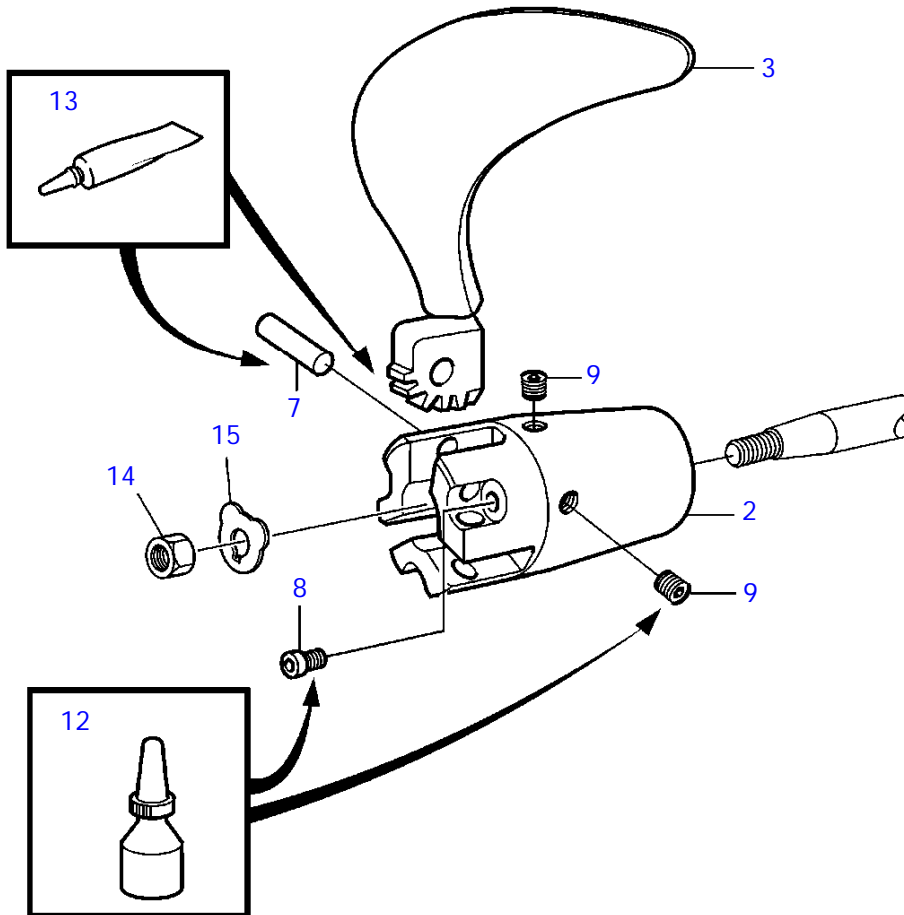
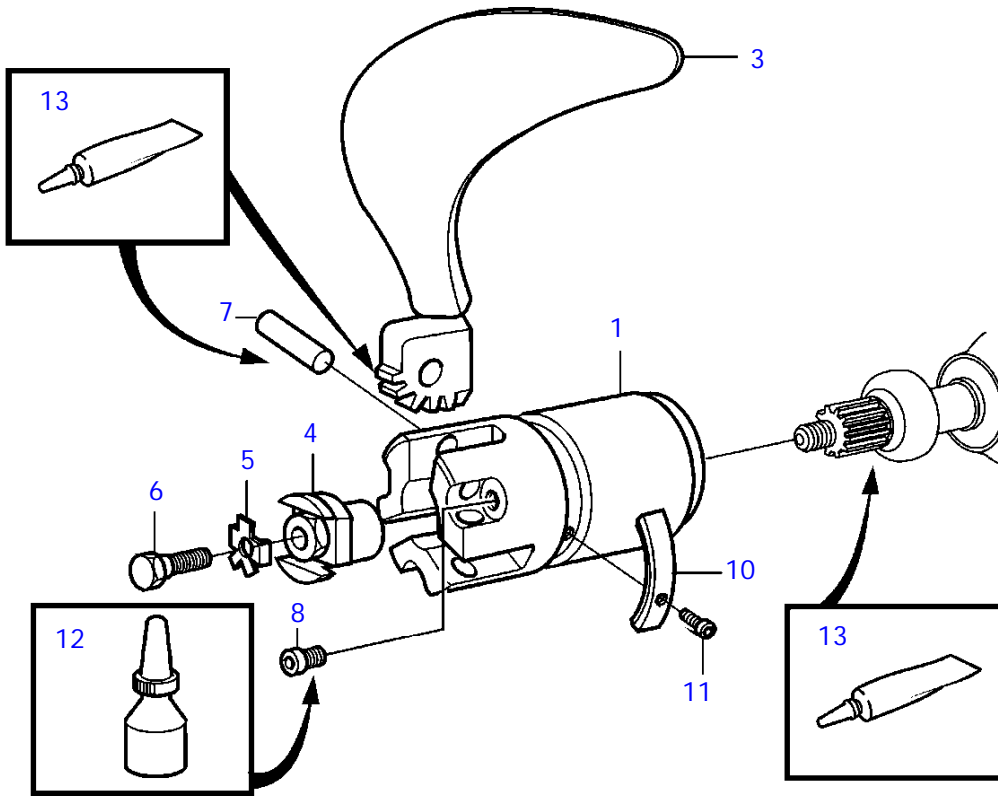
D1-30A, D1-30B, D2-40A, D2-40B, D1-30F, D2-40F



D1-30A, D1-30B, D2-40A, D2-40B, D1-30F, D2-40F

REF	PART NO.	QTY	DESCRIPTION	SEE SEC.	NOTES
1	3809120	1	Reversing gear kit		MS10A-B, ratio 2.35:1
	3809122	1	Reversing gear kit		MS10L-B, ratio 2.35:1
	3809124	1	Reversing gear kit		MS15A-B, ratio 2.14:1
	3809125	1	Reversing gear kit		MS15A-B, ratio 2.63:1
	3809126	1	Reversing gear kit		MS15L-B, ratio 2.14:1
	3809127	1	Reversing gear kit		MS15L-B, ratio 2.63:1
2	946329	6	Flange screw		
3	3852329	1	Cube		
4	17276	1	Split pin		
5	941906	1	Spring washer		
6	945467	1	Lock nut		
7	969439	2	6 point socket screw		
8	940090	2	Washer		
9	872074	2	Retainer		
10	872076	2	Washer		
11	949874	2	Flange lock nut		
12		1	shift cable	231	
13	3583866	1	Hose		
14	961666	4	Hose clamp		
15	952637	1	Clamp		
16	946934	1	Flange screw		
17	945407	1	Flange nut		
18	354842	1	Bracket		
19		1	Flange screw		

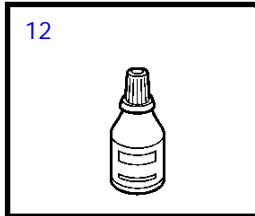
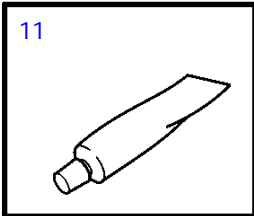
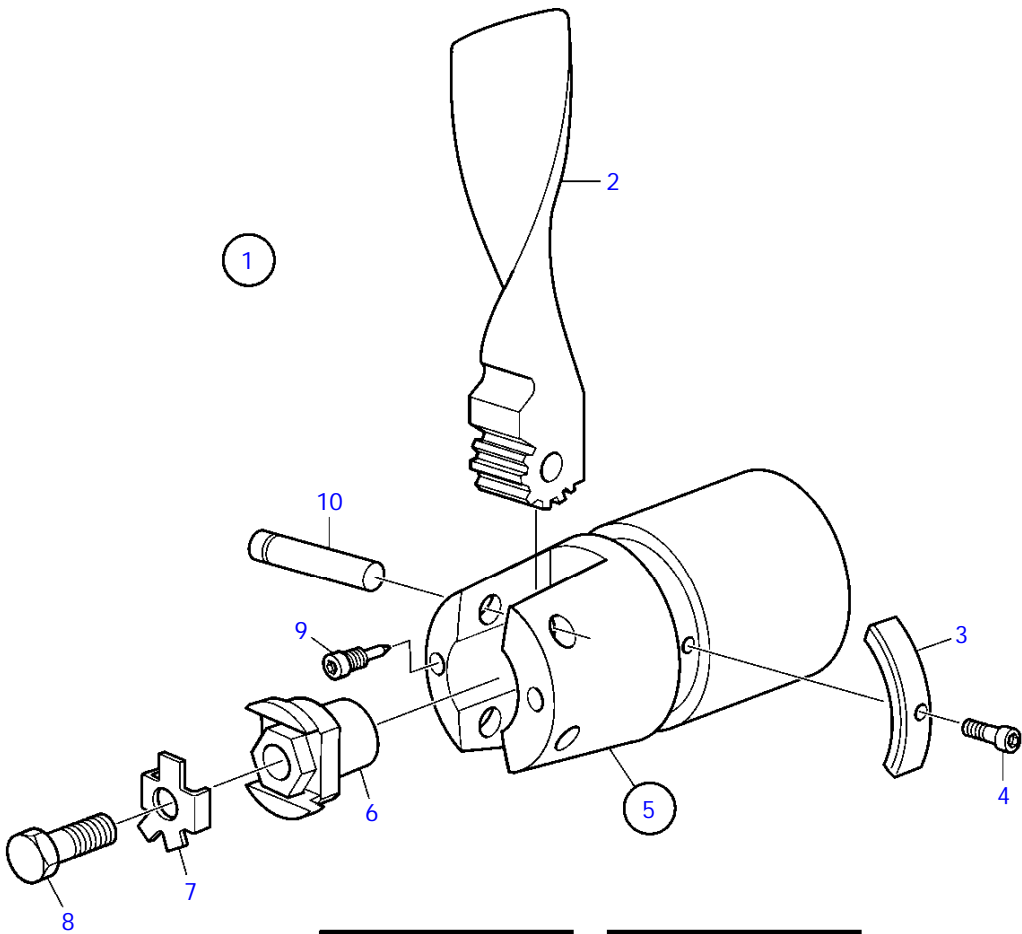
D1-13A, D1-13B, D1-20A, D1-20B, D1-30A, D1-30B, D2-40A, D2-40B, D1-13F, D1-20F, D1-30F, D2-40F



D1-13A, D1-13B, D1-20A, D1-20B, D1-30A, D1-30B, D2-40A, D2-40B, D1-13F, D1-20F, D1-30F, D2-40F

REF	PART NO.	QTY	DESCRIPTION	SEE SEC.	NOTES
1	3858955	1	Hub kit		S-drive (3858284)
			* Bulletin P-44-7-12	P-44-7-12-EN	Part Numbers on 3-bladed Folding Propellers
2	3583424	1	Hub kit		Shaft 25mm (3581262)
	3583425	1	Hub kit		Shaft 30mm (3581263)
	3583426	1	Hub kit		Shaft 1" (3581484)
	3583427	1	Hub kit		Shaft 1 1/4" (3581485)
3	3583382	1	Propeller blade kit		Left 14x9 (3581249)
			* Bulletin P-44-7-12	P-44-7-12-EN	Part Numbers on 3-bladed Folding Propellers
3	3583383	1	Propeller blade kit		Left 16x10 (3581250)
	3583384	1	Propeller blade kit		Left 15x10 (3581251)
	3583385	1	Propeller blade kit		Left 16x10 (3581252)
	3583386	1	Propeller blade kit		Left 16x11 (3581253)
	3583387	1	Propeller blade kit		Left 17x11 (3581254)
	3583388	1	Propeller blade kit		Left 17x12 (3581255)
	3583389	1	Propeller blade kit		Left 18x12 (3581256)
	3583390	1	Propeller blade kit		Left 18x13 (3581257)
	3583391	1	Propeller blade kit		Left 18x14 (3581258)
	3583392	1	Propeller blade kit		Left 18x15
	3584031	1	Propeller blade kit		Left 18x16
	3583393	1	Propeller blade kit		Left 19x16
	3583409	1	Propeller blade kit		Right 14x7
	3583410	1	Propeller blade kit		Right 14x8
	3583411	1	Propeller blade kit		Right 14x9 (3581807)
	3583412	1	Propeller blade kit		Right 15x9 (3581808)
	3583413	1	Propeller blade kit		Right 15x10 (3581809)
	3583414	1	Propeller blade kit		Right 16x10 (3581810)
	3583415	1	Propeller blade kit		Right 16x11 (3581811)
	3583416	1	Propeller blade kit		Right 17x11 (3581812)
	3583417	1	Propeller blade kit		Right 17x12 (3581813)
	3583418	1	Propeller blade kit		Right 18x12 (3581814)
	3583419	1	Propeller blade kit		Right 18x13 (3581815)
	3583420	1	Propeller blade kit		Right 18x14 (3581816)
4	3584466	1	Propeller nut		Included in hub kit, (3851993)
5	3851994	1	Lock washer		Included in hub kit
6	946730	1	Hexagon screw		Included in hub kit
7	3581243	3	Shaft		Included in hub kit
8	963695	3	Hex. socket screw		Included in hub kit
9	3581246	3	Screw		Included in hub kit
10	3858399	1	Zinc anode kit		Included in hub kit
	3858400	1	Magnesium anode kit		
11	963677	3	* Hex. socket screw		
12	1161053	1	Locking fluid		10ml, Included in hub kit
13	828250	1	Lubricating grease		25G, Included in propeller blade kit
			* Bulletin P-18-4-6	P-18-4-6-EN	Water resistant grease for grease gun
14	873473	1	Nut		Included in propeller shaft
15	873475	1	Tab washer		Included in propeller shaft

D1-13A, D1-13B, D1-20A, D1-20B, D1-30A, D1-30B, D2-40A, D2-40B, D1-13F, D1-20F, D1-30F, D2-40F

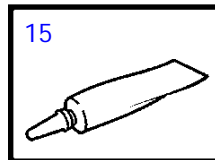
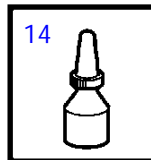
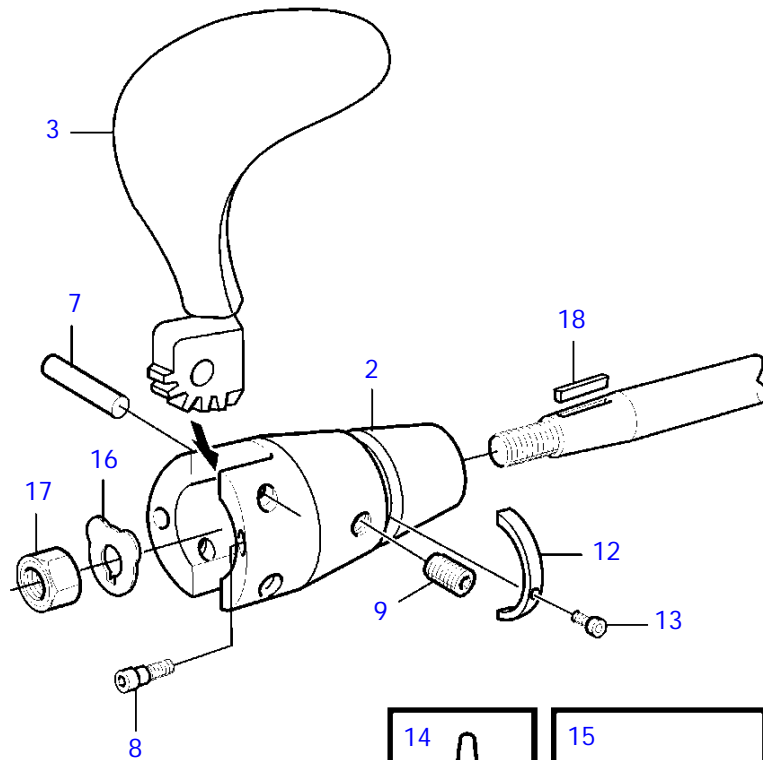
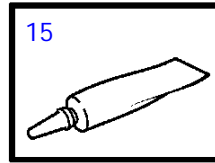
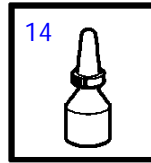
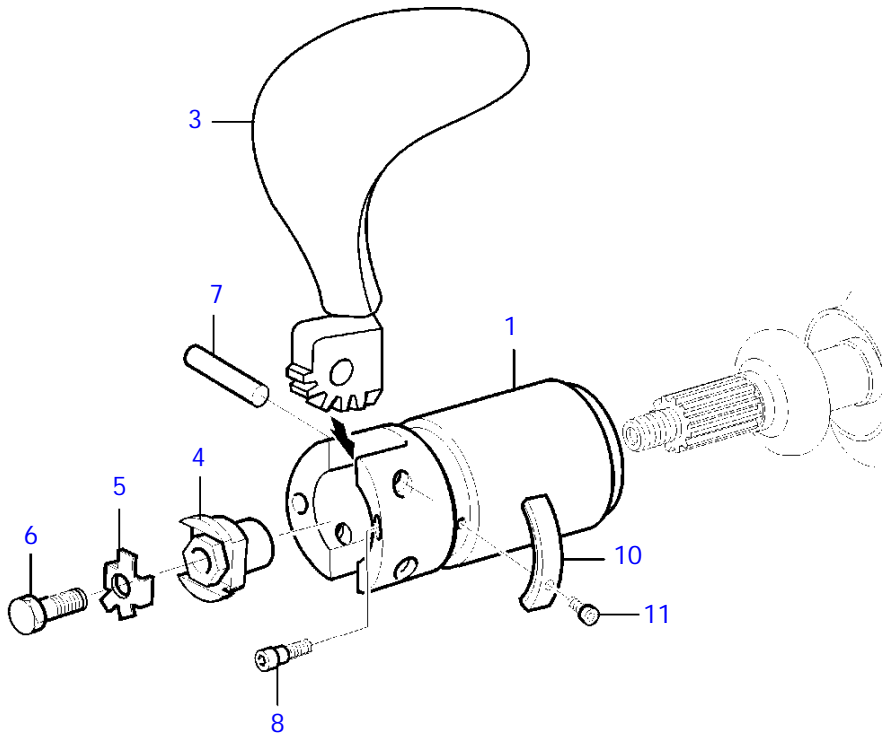


22351

D1-13A, D1-13B, D1-20A, D1-20B, D1-30A, D1-30B, D2-40A, D2-40B, D1-13F, D1-20F, D1-30F, D2-40F

REF	PART NO.	QTY	DESCRIPTION	SEE SEC.	NOTES
1	(3858506)	1	Propeller		14x6, Obsolete part
	(3858507)	1	Propeller		14x8 (3855562), Obsolete part
	(3858508)	1	Propeller		15x9 (3855563), Obsolete part
	(3858510)	1	Propeller		16x11 (3855565), Obsolete part
	(3858511)	1	Propeller		17X13, Obsolete part
	(3858512)	1	Propeller		17x14 (3855567), Obsolete part
2	872876	1	Propeller		14x6
	872877	1	Propeller		14X8
	872878	1	Propeller		15x9
	872880	1	Propeller		16x11
	872881	1	Propeller		17X13
	873536	1	Propeller blade kit		17X14
	872882	1	Propeller		17x15
	(873537)	1	Propeller blade kit		17x17, Obsolete part
3	3858399	1	Zinc anode kit		
	3858400	1	Magnesium anode kit		
4	963677	3	* Hex. socket screw		
5	3858849	1	Hub kit		
6	3584466	1	* Propeller nut		(3851993)
7	3851994	1	* Lock washer		
8	946730	1	* Hexagon screw		
9	3855529	2	* Screw		
10	3855528	2	* Shaft		
11	828250	1	Lubricating grease		25G
			* Bulletin P-18-4-6	P-18-4-6-EN	Water resistant grease for grease gun
12	1161053	1	Locking fluid		

D1-13A, D1-13B, D1-20A, D1-20B, D1-30A, D1-30B, D2-40A, D2-40B, D1-13F, D1-20F, D1-30F, D2-40F

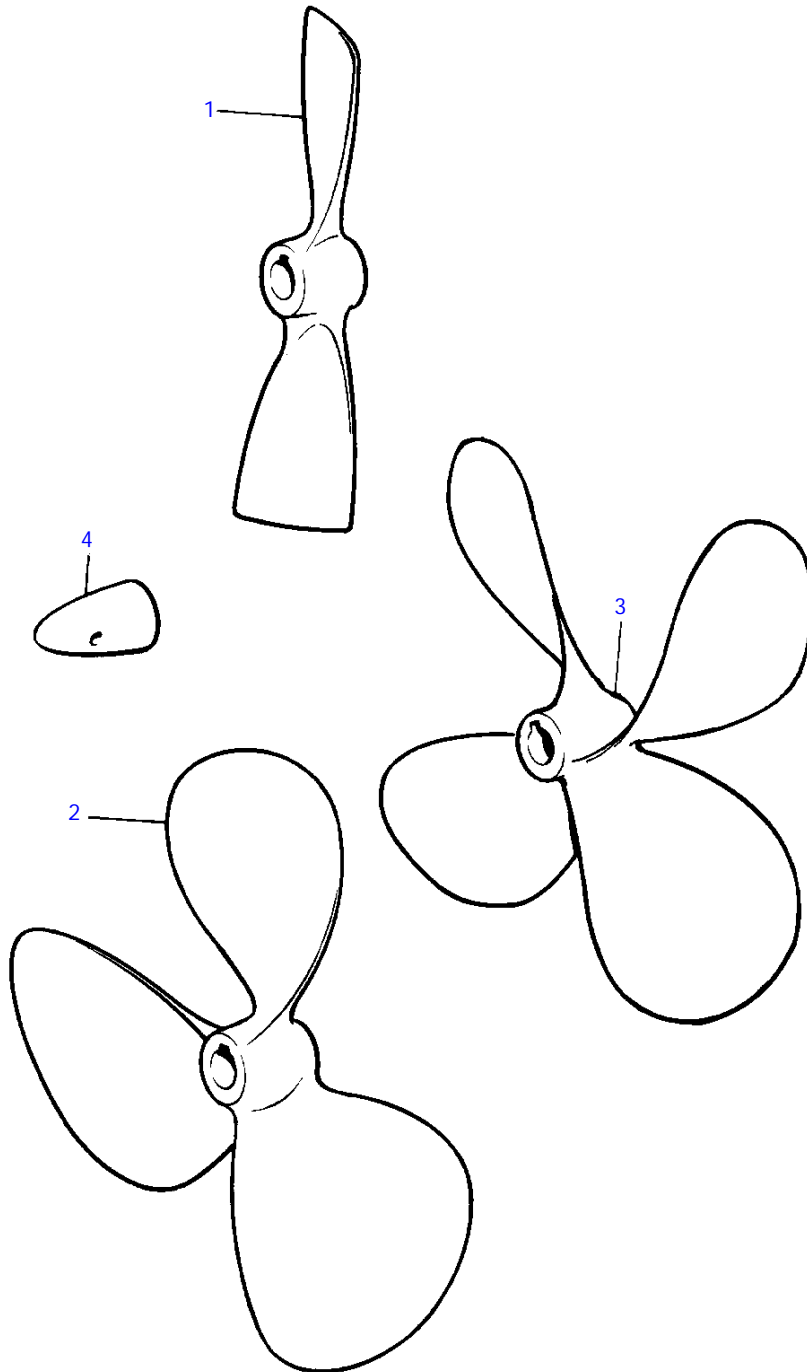


24316

D1-13A, D1-13B, D1-20A, D1-20B, D1-30A, D1-30B, D2-40A, D2-40B, D1-13F, D1-20F, D1-30F, D2-40F

REF	PART NO.	QTY	DESCRIPTION	SEE SEC.	NOTES
1	21630720	1	Hub kit		S-drive, (3888450)
2	21630721	1	Hub kit		Shaft 25mm, (3888453)
	21630722	1	Hub kit		Shaft 30mm, (3888456)
	21630723	1	Hub kit		Shaft 1", (3888459)
	3888485	1	Hub kit		Shaft 1.25"
			* Bulletin P-44-7-10	P-44-7-10-EN	Part Numbers on 2-bladed Folding Propellers
2	21630725	1	Hub kit		Shaft pre drilled, (3888488)
3	3888351	1	Propeller blade kit		Left 14x7
			* Bulletin P-44-7-10	P-44-7-10-EN	Part Numbers on 2-bladed Folding Propellers
3	3888357	1	Propeller blade kit		Left 14x8
			* Bulletin P-44-7-10	P-44-7-10-EN	Part Numbers on 2-bladed Folding Propellers
3	3888362	1	Propeller blade kit		Left 15x8
			* Bulletin P-44-7-10	P-44-7-10-EN	Part Numbers on 2-bladed Folding Propellers
3	3888367	1	Propeller blade kit		Left 15x10
			* Bulletin P-44-7-10	P-44-7-10-EN	Part Numbers on 2-bladed Folding Propellers
3	3888372	1	Propeller blade kit		Left 16x10
			* Bulletin P-44-7-10	P-44-7-10-EN	Part Numbers on 2-bladed Folding Propellers
3	21629182	1	Propeller blade kit		Left 16x11, (3888411)
	3888417	1	Propeller blade kit		Left 17x11
			* Bulletin P-44-7-10	P-44-7-10-EN	Part Numbers on 2-bladed Folding Propellers
3	21629198	1	Propeller blade kit		Left 17x12, (3888427)
	3888433	1	Propeller blade kit		Left 18x12
			* Bulletin P-44-7-10	P-44-7-10-EN	Part Numbers on 2-bladed Folding Propellers
3	3888439	1	Propeller blade kit		Left 19x13
			* Bulletin P-44-7-10	P-44-7-10-EN	Part Numbers on 2-bladed Folding Propellers
3	3888400	1	Propeller blade kit		Right 14x7
			* Bulletin P-44-7-10	P-44-7-10-EN	Part Numbers on 2-bladed Folding Propellers
3	3888401	1	Propeller blade kit		Right 14x8
			* Bulletin P-44-7-10	P-44-7-10-EN	Part Numbers on 2-bladed Folding Propellers
3	3888402	1	Propeller blade kit		Right 15x8
			* Bulletin P-44-7-10	P-44-7-10-EN	Part Numbers on 2-bladed Folding Propellers
3	3888404	1	Propeller blade kit		Right 15x10
			* Bulletin P-44-7-10	P-44-7-10-EN	Part Numbers on 2-bladed Folding Propellers
3	3888406	1	Propeller blade kit		Right 16x10
			* Bulletin P-44-7-10	P-44-7-10-EN	Part Numbers on 2-bladed Folding Propellers
3	3888414	1	Propeller blade kit		Right 16x11
			* Bulletin P-44-7-10	P-44-7-10-EN	Part Numbers on 2-bladed Folding Propellers
3	3888421	1	Propeller blade kit		Right 17x11
			* Bulletin P-44-7-10	P-44-7-10-EN	Part Numbers on 2-bladed Folding Propellers
3	3888430	1	Propeller blade kit		Right 17x12
			* Bulletin P-44-7-10	P-44-7-10-EN	Part Numbers on 2-bladed Folding Propellers
3	3888436	1	Propeller blade kit		Right 18x12
			* Bulletin P-44-7-10	P-44-7-10-EN	Part Numbers on 2-bladed Folding Propellers
3	3888442	1	Propeller blade kit		Right 19x13
			* Bulletin P-44-7-10	P-44-7-10-EN	Part Numbers on 2-bladed Folding Propellers
4	3584466	1	Propeller nut		Included in hub kit
5	3851994	1	Lock washer		Included in hub kit
6	946730	1	Hexagon screw		Included in hub kit
7	3888495	2	Shaft		Included in hub kit
8	3595221	2	Lock screw		Included in hub kit
9	3581246	2	Screw		Included in hub kit
10	3858399	1	Zinc anode kit		S-drive, Included in hub kit
	3858400	1	Magnesium anode kit		S-drive
11	963677	3	* Hex. socket screw		
12	3888491	1	Anode kit		Shaft, Included in hub kit
	3888493	1	Anode kit		Shaft
13	963675	2	* Hex. socket screw		
14	1161053	1	Locking fluid		Included in hub kit
15	828250	1	Lubricating grease		Included in propeller blade kit
			* Bulletin P-18-4-6	P-18-4-6-EN	Water resistant grease for grease gun
16	873475	1	Tab washer		Included in propeller shaft
17	873473	1	Nut		Included in propeller shaft
18	873474	1	Key		Included in propeller shaft

D1-13A, D1-13B, D1-20A, D1-20B, D1-30A, D1-30B, D2-40A, D2-40B, D1-13F, D1-20F, D1-30F, D2-40F



15176

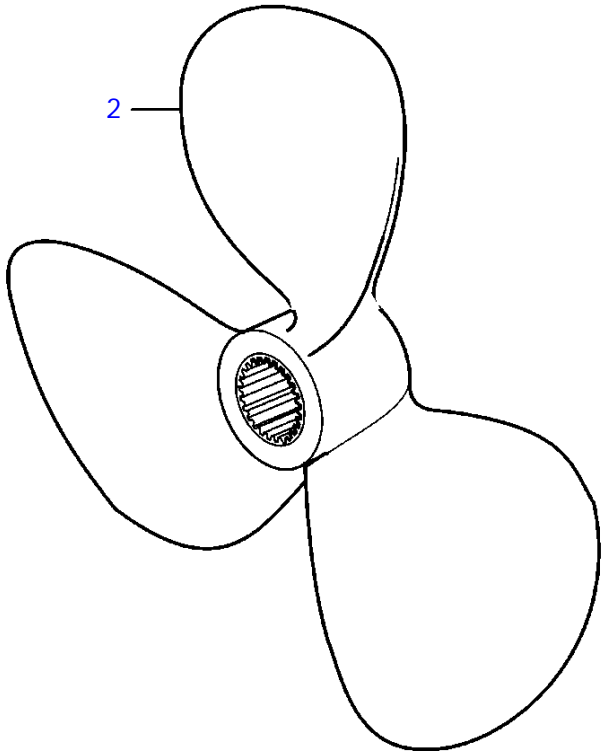
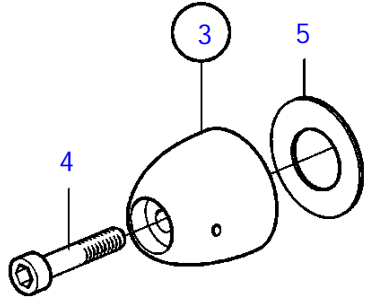
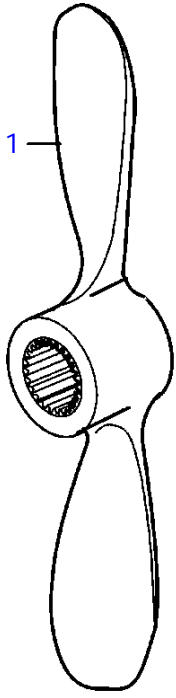
D1-13A, D1-13B, D1-20A, D1-20B, D1-30A, D1-30B, D2-40A, D2-40B, D1-13F, D1-20F, D1-30F, D2-40F

REF	PART NO.	QTY	DESCRIPTION	NOTES
1	(873392)	1	Propeller	Left 14x8x25, Obsolete part
	(873402)	1	Propeller	Left 14x10x25, Obsolete part
	(873403)	1	Propeller	Left 15x9x25, Obsolete part
	(873393)	1	Propeller	Left 15x11x25, Obsolete part
	(873394)	1	Propeller	Left 16x10x25, Obsolete part
	(873404)	1	Propeller	Left 16x11,5x25, Obsolete part
	(873405)	1	Propeller	Left 16x13x25, Obsolete part
	(873406)	1	Propeller	Left 17x12x25, Obsolete part
	(873407)	1	Propeller	Left 18x13x25, Obsolete part
	(873408)	1	Propeller	Left 18x15x25, Obsolete part
	(873409)	1	Propeller	LH 18x15x30, Obsolete part
	(873410)	1	Propeller	Left 18x13x35, Obsolete part
2	(873382)	1	Propeller	Left 12x9x25, Obsolete part
	(873417)	1	Propeller	Left 13x9x25, Obsolete part
	(873418)	1	Propeller	Left 14x9x25, Obsolete part
	(873419)	1	Propeller	Left 14x10x25, Obsolete part
	(873383)	1	Propeller	Left 14x11x25, Obsolete part
	(873420)	1	Propeller	Left 14x13x25, Obsolete part
	(873384)	1	Propeller	Left 15x10x25, Obsolete part
	(873421)	1	Propeller	Left 15x11x25, Obsolete part
	(873422)	1	Propeller	Left 15x12x25, Obsolete part
	(873423)	1	Propeller	Left 15x13x25, Obsolete part
	(873424)	1	Propeller	Left 15x14x25, Obsolete part
	(873425)	1	Propeller	Left 16x11x25, Obsolete part
	(873426)	1	Propeller	Left 16x12x25, Obsolete part
	(873427)	1	Propeller	Left 16x13x25, Obsolete part
	(873428)	1	Propeller	Left 16x14x25, Obsolete part
	(873429)	1	Propeller	Left 17x14x25, Obsolete part
	(873431)	1	Propeller	Left 17x15x25, Obsolete part
	(873433)	1	Propeller	Left 18x16x25, Obsolete part
	(3856279)	1	Propeller	Left 15x12x30, Obsolete part
	(3856280)	1	Propeller	Left 15x13x30, Obsolete part
	(3856281)	1	Propeller	Left 15x14x30, Obsolete part
	(3856282)	1	Propeller	Left 15x15x30, Obsolete part
	(3856283)	1	Propeller	Left 15x16x30 (873434), Obsolete part
	(3856284)	1	Propeller	Left 16x11x30, Obsolete part
	(3856285)	1	Propeller	Left 16x12x30, Obsolete part
	(3856286)	1	Propeller	Left 16x13x30, Obsolete part
	(3856287)	1	Propeller	Left 16x14x30, Obsolete part
	(3856288)	1	Propeller	Left 17x11x30, Obsolete part
	(3856289)	1	Propeller	Left 17x12x30 (873435), Obsolete part
	(3856290)	1	Propeller	Left 17x13x30 (873436), Obsolete part
	(3856291)	1	Propeller	Left 17x14x30 (873437), Obsolete part
	(3856292)	1	Propeller	Left 17x15x30 (873438), Obsolete part
	(3856293)	1	Propeller	Left 17x16x30 (873439), Obsolete part
	(3856294)	1	Propeller	Left 17x17x30, Obsolete part
	(3856295)	1	Propeller	Left 19x13x30, Obsolete part
	(3856296)	1	Propeller	Left 19x14x30, Obsolete part
	(3856297)	1	Propeller	Left 19x15x30 (873440), Obsolete part
	(3856298)	1	Propeller	Left 19x16x30 (873441), Obsolete part
	(3856299)	1	Propeller	Left 19x17x30 (873442), Obsolete part
	(3856300)	1	Propeller	Left 19x19x30 (873443), Obsolete part
	(3856301)	1	Propeller	Left 16x11x35, Obsolete part
	(3856302)	1	Propeller	Left 16x12x35, Obsolete part
	(873444)	1	Propeller	Left 16x13x35 (871217), Obsolete part
	(3856303)	1	Propeller	Left 16x14x35, Obsolete part
	(873445)	1	Propeller	Left 16x15x35 (871218), Obsolete part
	(873446)	1	Propeller	Left 17x11x35 (871219), Obsolete part
	(873447)	1	Propeller	Left 17x12x35 (871220), Obsolete part
	(873448)	1	Propeller	Left 17x13x35 (871221), Obsolete part
	(873449)	1	Propeller	Left 17x14x35 (871222), Obsolete part
	(873450)	1	Propeller	Left 17x15x35 (871223), Obsolete part
	(873451)	1	Propeller	Left 17x16x35 (871224), Obsolete part
	(873452)	1	Propeller	Left 17x17x35 (871187), Obsolete part
	(3856304)	1	Propeller	Left 18x13x35, Obsolete part
	(3856305)	1	Propeller	Left 18x14x35, Obsolete part
	(3856306)	1	Propeller	Left 18x15x35, Obsolete part
	(3856307)	1	Propeller	Left 18x16x35, Obsolete part
	(3856308)	1	Propeller	Left 18x17x35, Obsolete part
	(3856309)	1	Propeller	Left 18x18x35, Obsolete part
	(873453)	1	Propeller	Left 19x17x35 (871225), Obsolete part
	(873455)	1	Propeller	Left 19x15x40 (871228), Obsolete part
	(873456)	1	Propeller	Left 19x17x40 (871229), Obsolete part
	(873457)	1	Propeller	Left 19x19x40 (871230), Obsolete part
	(873458)	1	Propeller	Left 19x21x40 (871231), Obsolete part
	(873459)	1	Propeller	Left 21x13x40 (871226), Obsolete part
	(873460)	1	Propeller	Left 23x15x40 (871232), Obsolete part
3	(873461)	1	Propeller	Left 16x15x35 (871233), Obsolete part
	(873462)	1	Propeller	Left 16x16x35 (871234), Obsolete part
	(873463)	1	Propeller	Left 16x17x35 (871235), Obsolete part
	(873464)	1	Propeller	Left 16x18x35 (871236), Obsolete part
	(3856310)	1	Propeller	LH 18x15x30, Obsolete part
	(3856311)	1	Propeller	Left 18x16x30, Obsolete part
	(3856312)	1	Propeller	Left 18x17x30, Obsolete part
	(3856313)	1	Propeller	Left 18x18x30, Obsolete part
	(3856314)	1	Propeller	Left 18x15x35, Obsolete part
	(3856315)	1	Propeller	Left 18x16x35, Obsolete part
	(3856316)	1	Propeller	Left 18x17x35, Obsolete part
	(3856317)	1	Propeller	Left 18x18x35, Obsolete part
	(3856318)	1	Propeller	Left 18x16x40, Obsolete part

D1-13A, D1-13B, D1-20A, D1-20B, D1-30A, D1-30B, D2-40A, D2-40B, D1-13F, D1-20F, D1-30F, D2-40F

REF	PART NO.	QTY	DESCRIPTION	NOTES
	(873465)	1	Propeller	Left 18x17x40 (871240), Obsolete part
	(873466)	1	Propeller	Left 18x18x40 (871241), Obsolete part
	(873467)	1	Propeller	Left 18x19x40 (871242), Obsolete part
	(873468)	1	Propeller	Left 18x20x40 (871243), Obsolete part
	(3856319)	1	Propeller	Left 18x22x35, Obsolete part
	(3856320)	1	Propeller	Left 18x22x40, Obsolete part
	(3856321)	1	Propeller	Left 18x23x35, Obsolete part
	(3856322)	1	Propeller	Left 18x23x40, Obsolete part
	(3856323)	1	Propeller	Right 18x15x35, Obsolete part
	(3856324)	1	Propeller	Right 18x16x35, Obsolete part
	(3856325)	1	Propeller	Right 18x17x35, Obsolete part
	(3856326)	1	Propeller	Right 18x18x35, Obsolete part
	(3856327)	1	Propeller	Right 18x16x40, Obsolete part
	(3856328)	1	Propeller	Right 18x17x40, Obsolete part
	(3856329)	1	Propeller	Right 18x18x40, Obsolete part
	(3856330)	1	Propeller	Right 18x19x40, Obsolete part
	(3856331)	1	Propeller	Right 18x20x40, Obsolete part
	(3856332)	1	Propeller	Right 18x22x35, Obsolete part
	(3856333)	1	Propeller	Right 18x22x40, Obsolete part
	(3856334)	1	Propeller	Right 18x23x35, Obsolete part
	(3856371)	1	Propeller	Right 18x23x40, Obsolete part
4	833913	1	Zinc anode	For 30mm propeller shaft., W 3/4"
	833915	1	Zinc anode	For 35mm propeller shaft., W 7/8"
	828140	1	Zinc anode	For 40 and 45mm propeller shaft., W 1"
	873411	1	Zinc anode	For 25mm propeller shaft., M16
	873412	1	Zinc anode	For 30mm propeller shaft., M20
	873413	1	Zinc anode	For 35mm and 40mm propeller shaft., M24
	873415	1	Zinc anode	For 45mm propeller shaft., M30

D1-13A, D1-13B, D1-20A, D1-20B, D1-30A, D1-30B, D2-40A, D2-40B, D1-13F, D1-20F, D1-30F, D2-40F



24074

Propeller for S-drive

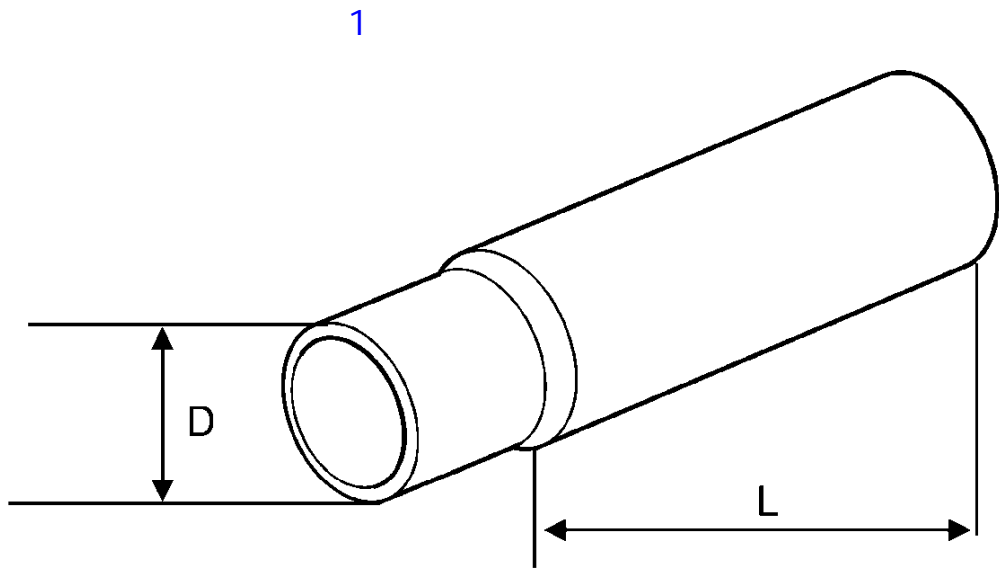
44

D1-13A, D1-13B, D1-20A, D1-20B, D1-30A, D1-30B, D2-40A, D2-40B, D1-13F, D1-20F, D1-30F, D2-40F

REF	PART NO.	QTY	DESCRIPTION	NOTES
1	850261	1	Propeller	Left 14x7
	853346	1	Propeller	Left 14x8
	850341	1	Propeller	Left 14x9
	3583867	1	Propeller	Left 14x11
	3583868	1	Propeller	Left 15x11
	850342	1	Propeller	Left 16x11
	852116	1	Propeller	Left 16x13
	852510	1	Propeller	Left 17x14
	853583	1	Propeller	Left 17x16
	3583578	1	Propeller	Left 17x17
	889658	1	Propeller	Left 19x17
2	850658	1	Propeller	Left 14x9
	851419	1	Propeller	Left 14x11
	850659	1	Propeller	Left 14x12
	851988	1	Propeller	Left 15x12
	850672	1	Propeller	Left 15x13
	852017	1	Propeller	Left 16x11
	873369	1	Propeller	Left 17x12
	852117	1	Propeller	Left 17x13
	853588	1	Propeller	Left 17x14
	873368	1	Propeller	Left 17x15
	3583577	1	Propeller	Left 17x16
	889659	1	Propeller	Left 18x16
3	850396	1	Propeller cone kit	
4	851773	1	* Screw	
5	850888	1	* Plastic washer	

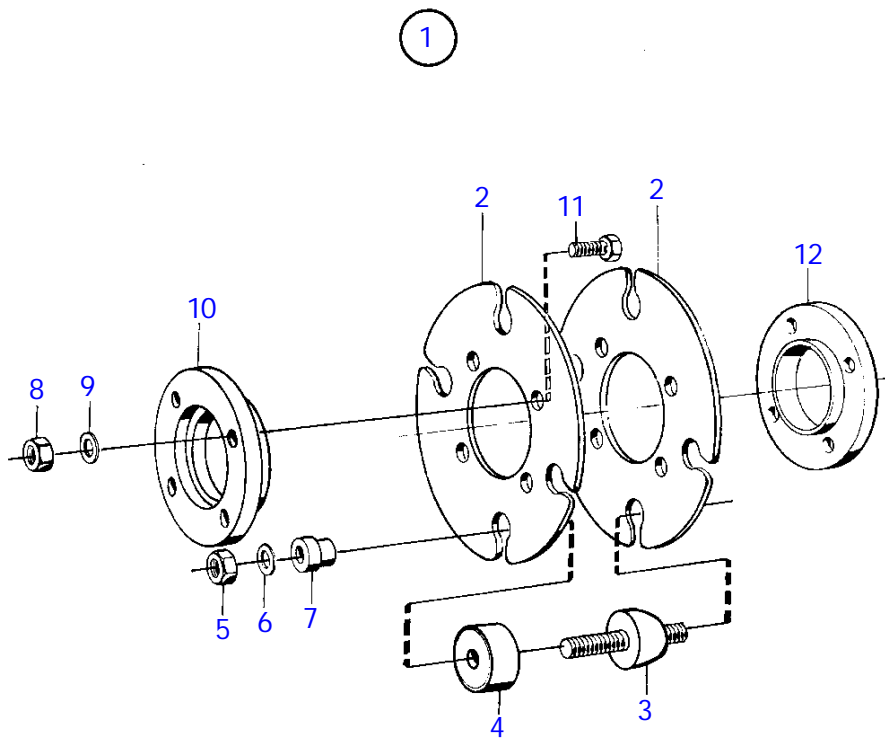


D1-13A, D1-13B, D1-20A, D1-20B, D1-30A, D1-30B, D2-40A, D2-40B, D1-13F, D1-20F, D1-30F, D2-40F



8498

D1-13A, D1-13B, D1-20A, D1-20B, D1-30A, D1-30B, D2-40A, D2-40B, D1-13F, D1-20F, D1-30F, D2-40F

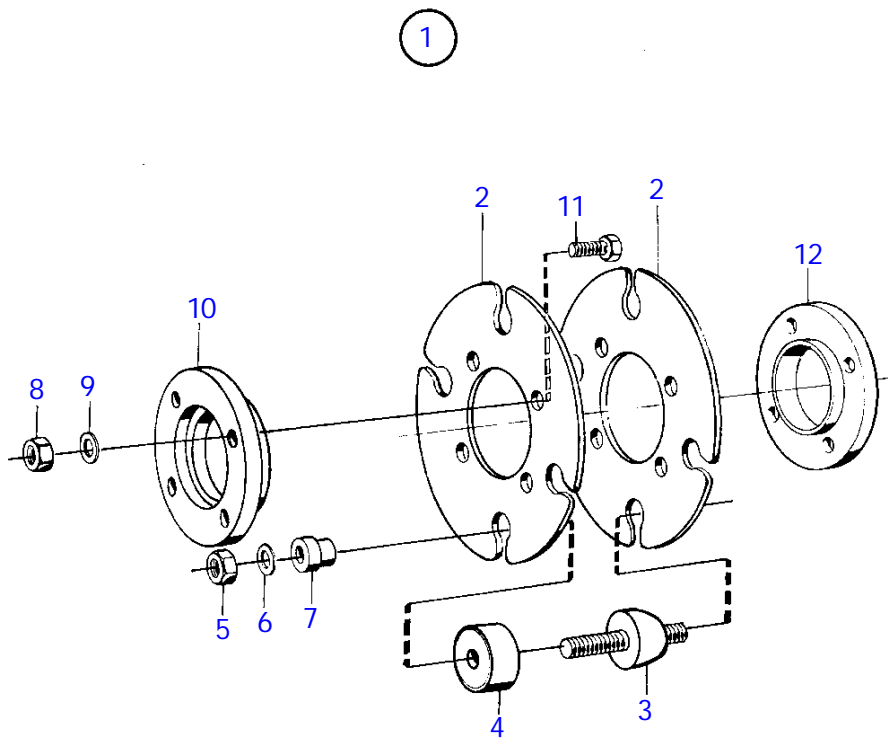


3946

D1-13A, D1-13B, D1-20A, D1-20B, D1-30A, D1-30B, D2-40A, D2-40B, D1-13F, D1-20F, D1-30F, D2-40F

REF	PART NO.	QTY	DESCRIPTION	NOTES
1	833626	1	Clutch	
2	803125	2	* Flexplate	
3	803762	4	* Rubber cushion	
4	803748	4	* Protecting casing	
5	955850	8	* Hexagon nut	
6	940280	8	* Spring washer	
7	802976	8	* Washer	
8	971071	4	* Hexagon nut	(955783)
9	941908	4	* Spring washer	
10	827935	1	* Guide ring	
11	970947	4	* Hexagon screw	L=25mm
	970949	4	* Hexagon screw	L=35mm (955319)
12	803029	1	* Guide ring	

D1-13A, D1-13B, D1-20A, D1-20B, D1-30A, D1-30B, D2-40A, D2-40B, D1-13F, D1-20F, D1-30F, D2-40F

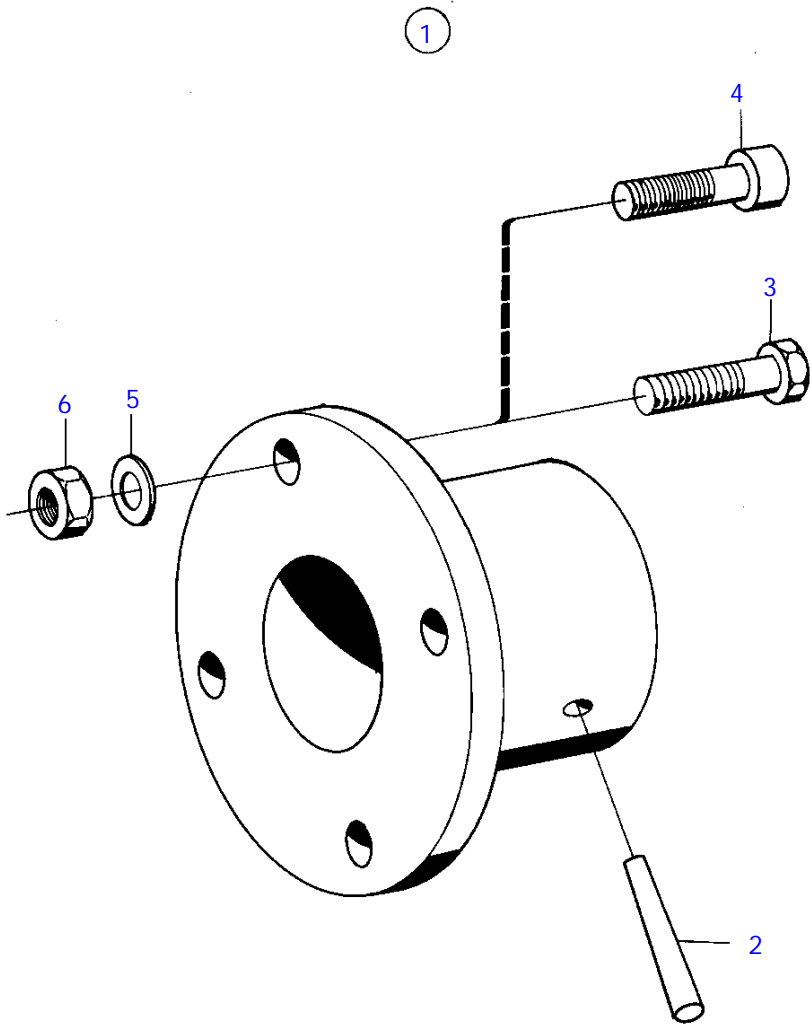


3946

D1-13A, D1-13B, D1-20A, D1-20B, D1-30A, D1-30B, D2-40A, D2-40B, D1-13F, D1-20F, D1-30F, D2-40F

REF	PART NO.	QTY	DESCRIPTION	NOTES
1	833627	1	Clutch	
2	819151	2	* Flexplate	
3	803762	6	* Rubber cushion	
4	803748	6	* Protecting casing	
5	955850	12	* Hexagon nut	
6	940280	12	* Spring washer	
7	802976	12	* Washer	
8	971071	4	* Hexagon nut	(955783)
9	941908	4	* Spring washer	
10	827935	1	* Guide ring	
11	970947	4	* Hexagon screw	L=25mm
	970949	4	* Hexagon screw	L=35mm (955319)
12	803029	1	* Guide ring	

D1-13A, D1-13B, D1-20A, D1-20B, D1-30A, D1-30B, D2-40A, D2-40B, D1-13F, D1-20F, D1-30F, D2-40F

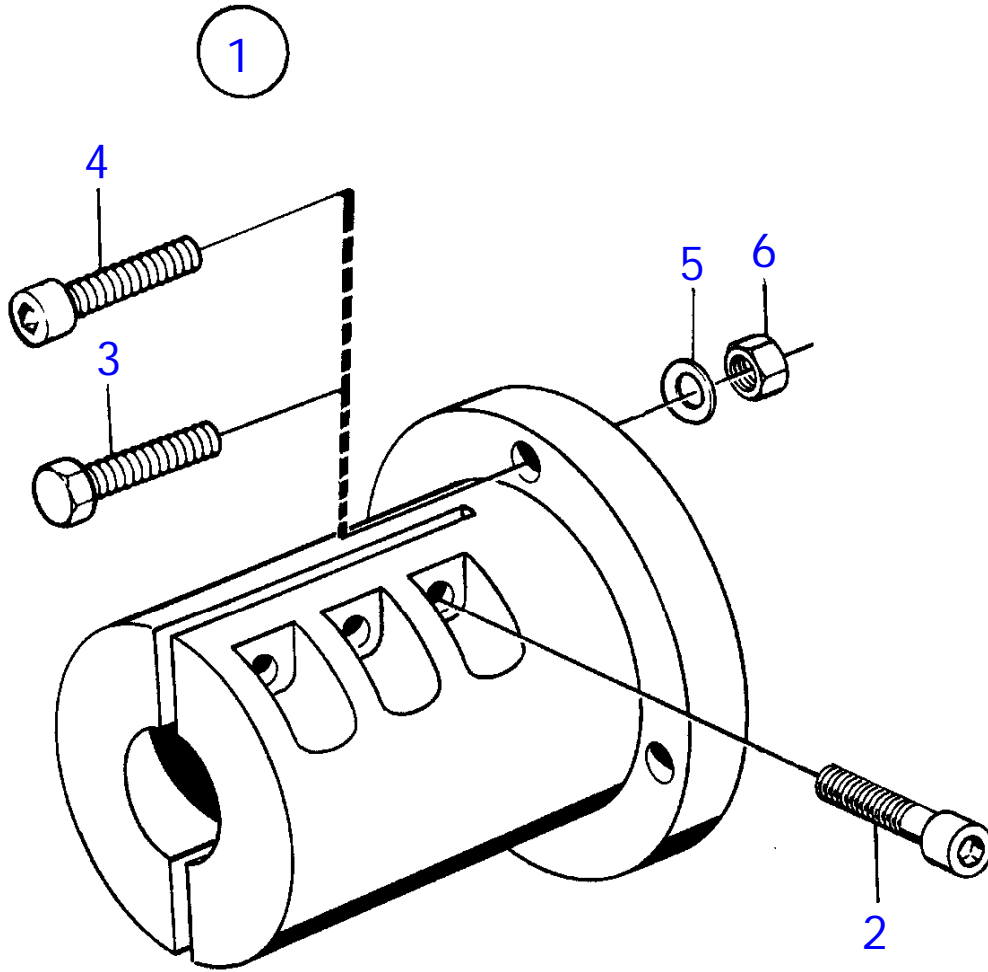


3232

D1-13A, D1-13B, D1-20A, D1-20B, D1-30A, D1-30B, D2-40A, D2-40B, D1-13F, D1-20F, D1-30F, D2-40F

REF	PART NO.	QTY	DESCRIPTION	NOTES
1	806384	1	Clutch flange	For 25mm propeller shaft.
	(806385)	1	Clutch flange	For 30mm propeller shaft., Obsolete part
	806383	1	Clutch flange	Only center drilled 15mm. Max 30mm shaft.
2	907599	1	* Taper pin	
3	970949	4	* Hexagon screw	L=35mm (955319)
4	959239	4	* Hex. socket screw	L=30mm
5	941908	4	* Spring washer	
6	971071	4	* Hexagon nut	(955783)

D1-13A, D1-13B, D1-20A, D1-20B, D1-30A, D1-30B, D2-40A, D2-40B, D1-13F, D1-20F, D1-30F, D2-40F

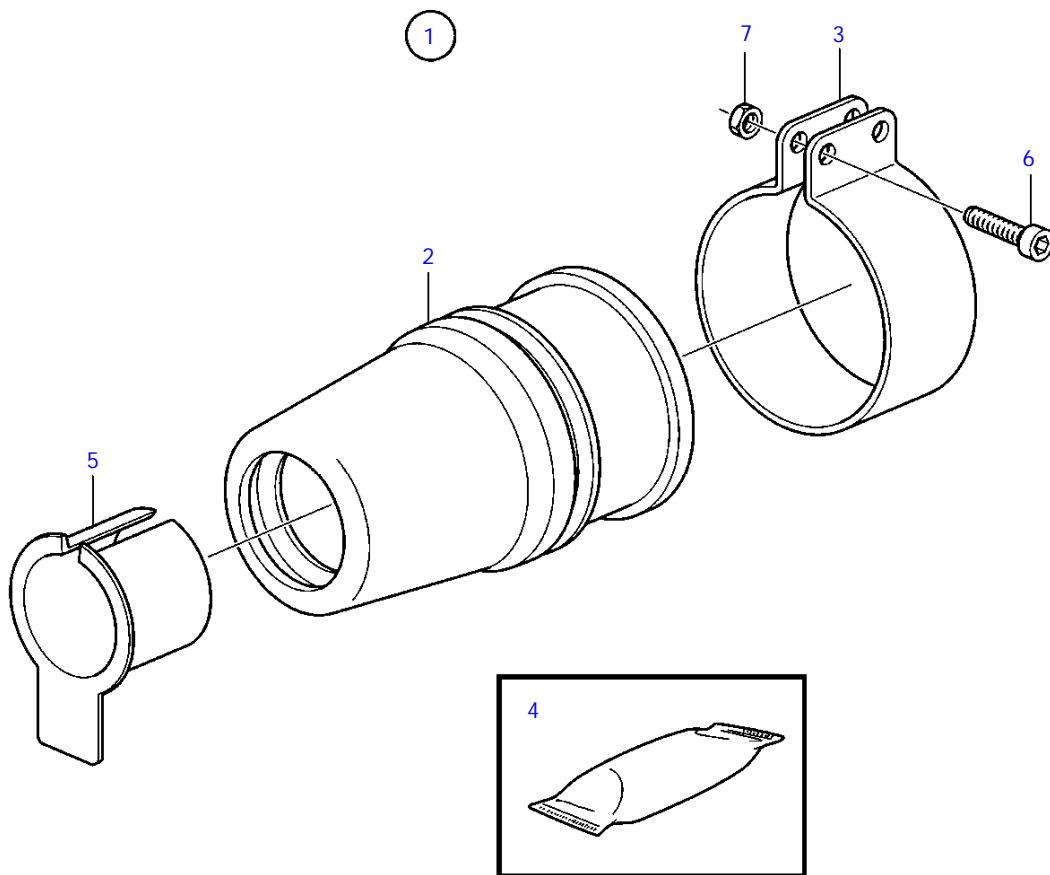


11038

D1-13A, D1-13B, D1-20A, D1-20B, D1-30A, D1-30B, D2-40A, D2-40B, D1-13F, D1-20F, D1-30F, D2-40F

REF	PART NO.	QTY	DESCRIPTION	NOTES
1	827924	1	Clamp coupling	For 25mm propeller shaft.
	827927	1	Clamp coupling	For 30mm propeller shaft.
2	949068	6	* Hex. socket screw	
3	970949	4	* Hexagon screw	(955319)
4	959239	4	* Hex. socket screw	
5	941908	4	* Spring washer	
6	971071	4	* Hexagon nut	(955783)

D1-13A, D1-13B, D1-20A, D1-20B, D1-30A, D1-30B, D2-40A, D2-40B, D1-13F, D1-20F, D1-30F, D2-40F

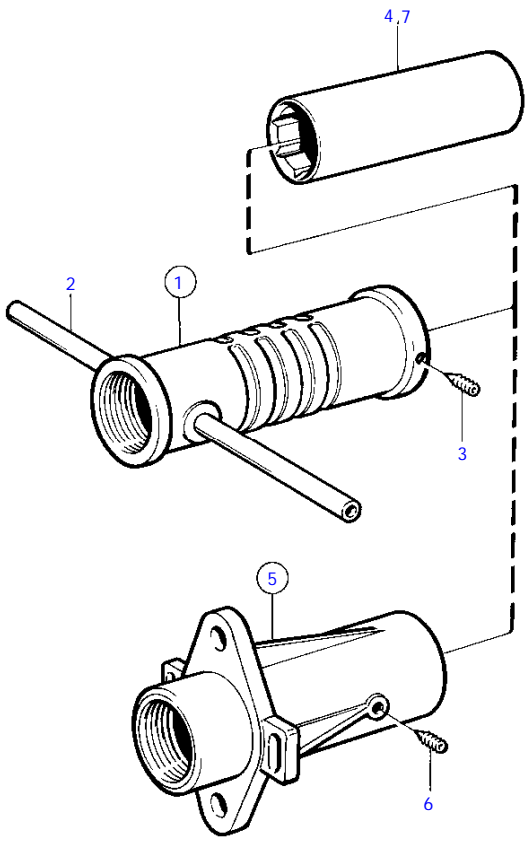


6147

D1-13A, D1-13B, D1-20A, D1-20B, D1-30A, D1-30B, D2-40A, D2-40B, D1-13F, D1-20F, D1-30F, D2-40F

REF	PART NO.	QTY	DESCRIPTION	SEE SEC.	NOTES
1	828254	1	Sealing		D=25mm
			* Bulletin P-44-6-1	P-44-6-1-EN	Rubber Stuffing Box
1	828422		Sealing		D=30mm
			* Bulletin P-44-6-1	P-44-6-1-EN	Rubber Stuffing Box
2		1	* Sealing sleeve		
3	828142	1	* Clamp		
	828418	1	* Clamp		
4	828250	1	* Lubricating grease		
			* Bulletin P-18-4-6	P-18-4-6-EN	Water resistant grease for grease gun
5		1	* Sleeve		
6	963684	2	* Hex. socket screw		
7	966170	2	* Lock nut		

D1-13A, D1-13B, D1-20A, D1-20B, D1-30A, D1-30B, D2-40A, D2-40B, D1-13F, D1-20F, D1-30F, D2-40F

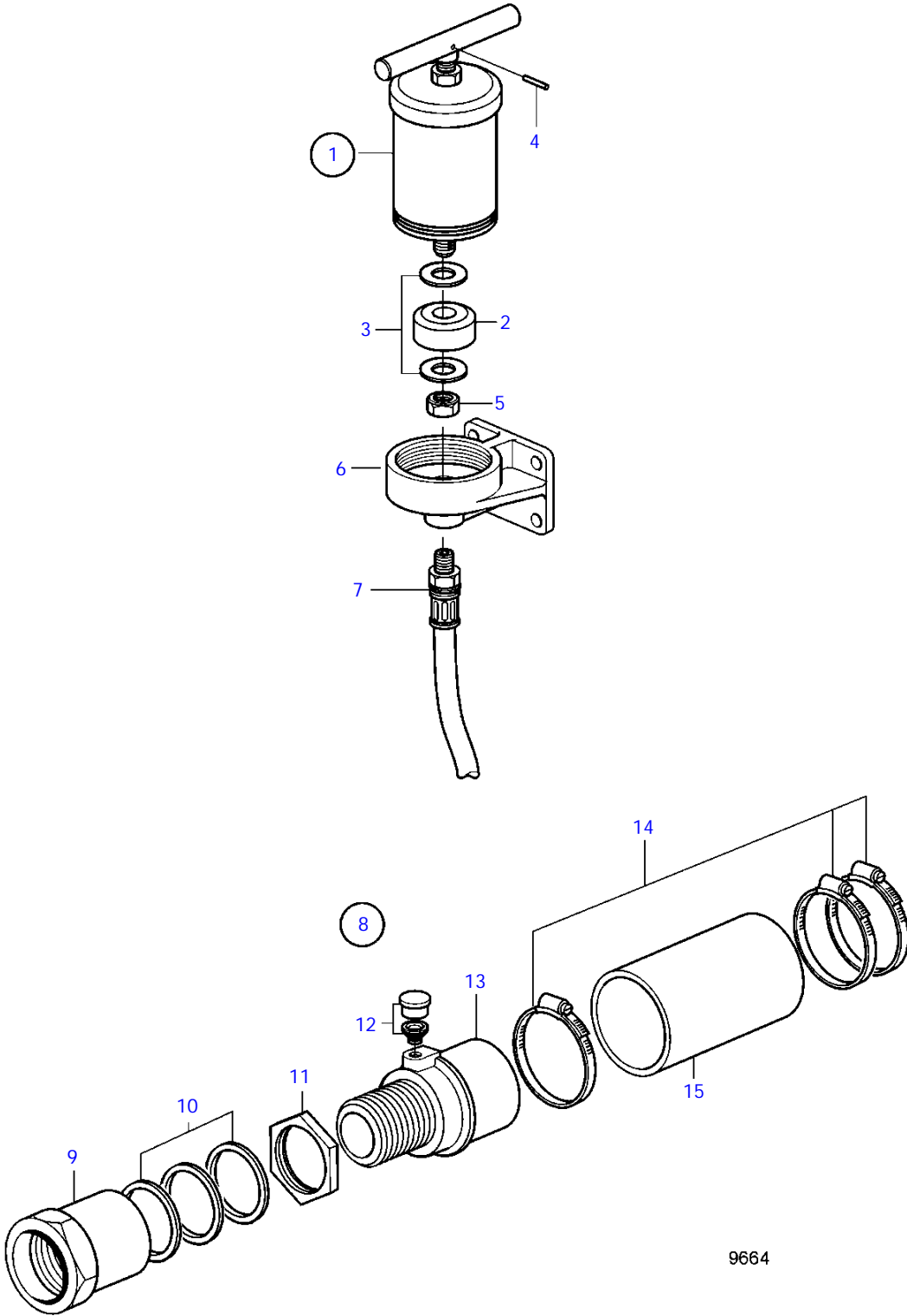


9665

D1-13A, D1-13B, D1-20A, D1-20B, D1-30A, D1-30B, D2-40A, D2-40B, D1-13F, D1-20F, D1-30F, D2-40F

REF	PART NO.	QTY	DESCRIPTION	NOTES
1	827885	1	Stern bearing	For 25mm propeller shaft.
	827886	1	Stern bearing	For 30mm propeller shaft.
2	(827734)	1	• Tube	Obsolete part
3	942609	3	• Set screw	
4	812914	1	• Rubber bearing	For 25mm propeller shaft.
	812916	1	• Rubber bearing	For 30mm propeller shaft.
5	827780	1	Stern bearing	For 25mm propeller shaft.
	827781	1	Stern bearing	For 30mm propeller shaft.
6	942609	2	• Set screw	
7	812914	1	• Rubber bearing	For 25mm propeller shaft.
	812916	1	• Rubber bearing	For 30mm propeller shaft.

D1-13A, D1-13B, D1-20A, D1-20B, D1-30A, D1-30B, D2-40A, D2-40B, D1-13F, D1-20F, D1-30F, D2-40F

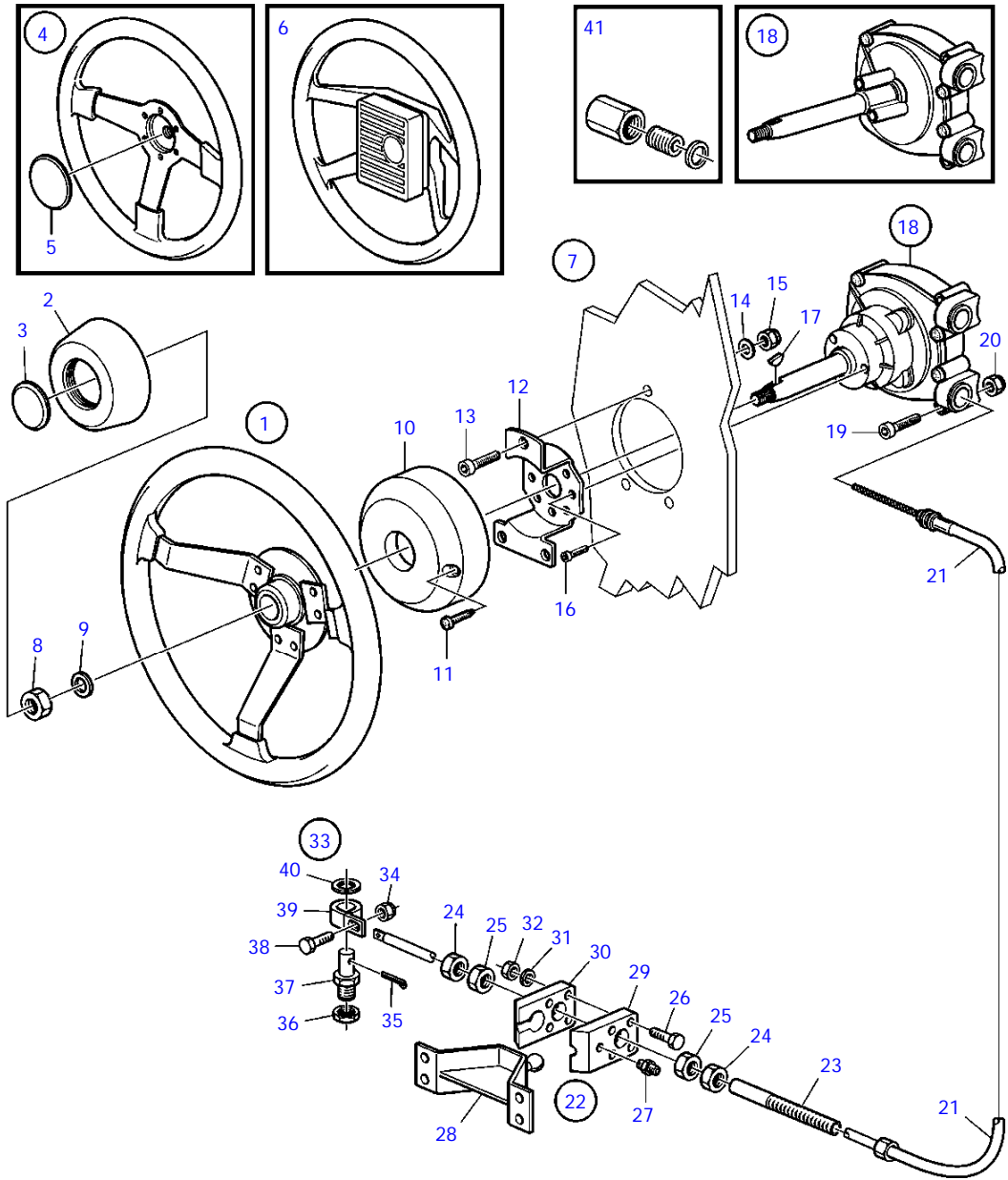


9664

D1-13A, D1-13B, D1-20A, D1-20B, D1-30A, D1-30B, D2-40A, D2-40B, D1-13F, D1-20F, D1-30F, D2-40F

REF	PART NO.	QTY	DESCRIPTION	NOTES
1	827184	1	Grease press	
2	815579	1	* Leather cuff	
3	948087	2	* Washer	
4	(907173)	1	* Grooved pin	Obsolete part
5	950354	1	* Lock nut	
6		1	* Retainer	
7	833842	1	Hose	
8	859012	1	Stuffing box	D=25mm
	859013	1	Stuffing box	D=30mm
9		1	* Nut	
10	859003	3	* Box gasket	D=25mm
	859006	3	* Box gasket	D=30mm
11		1	* Nut	
12	914138	1	* Lubricator	
13		1	* Stuffing box	
14	961672	3	* Hose clamp	For 859012
	961674	3	* Hose clamp	For 859013
15	825672	1	* Rubber hose	D=25mm
	825673	1	* Rubber hose	D=30mm

D1-13A, D1-13B, D1-20A, D1-20B, D1-30A, D1-30B, D2-40A, D2-40B, D1-13F, D1-20F, D1-30F, D2-40F

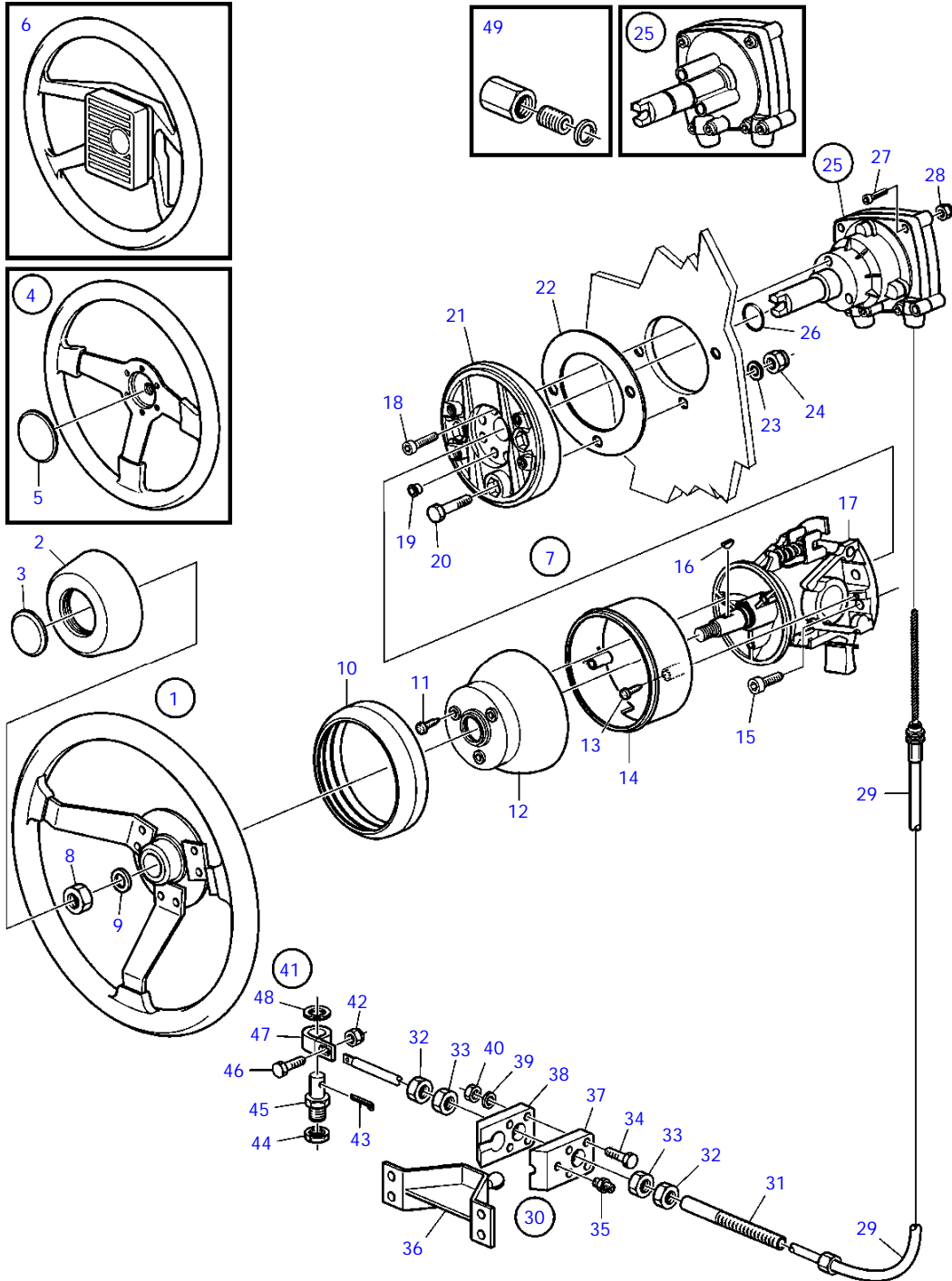


22681

D1-13A, D1-13B, D1-20A, D1-20B, D1-30A, D1-30B, D2-40A, D2-40B, D1-13F, D1-20F, D1-30F, D2-40F

REF	PART NO.	QTY	DESCRIPTION	SEE SEC.	NOTES
1	850936	1	Steering wheel		
2		1	* Steering wheel pad		
3	(1140660)	1	* Emblem		(850938), Obsolete part
4	3843317	1	Wheel		
5		1	* Emblem		
6	1140334	1	Steering wheel		
	1140335		Steering wheel		
7	3818096	1	Mounting kit		70° black
	3818098	1	Mounting kit		90° black
	3883508	1	Mounting kit		70° white
	3883509	1	Mounting kit		70° black
8	971084	1	* Lock nut		
9	955897	1	* Washer		
10		1	* Cover		90°
		1	* Cover		70°
11	969476	2	* 6 point socket screw		
12		1	* Bracket		90°
		1	* Bracket		70°
13	959226	3	* Hex. socket screw		
14	976944	3	* Washer		
15	946036	3	* Lock nut		
16	959220	3	* Hex. socket screw		
17	160807	1	* Woodruff key		
18	3818019	1	Steering gear		Std, fixed wheel
			* Bulletin P-64-0-1	P-64-0-1-EN	New QL Mechanical and Hydraulic Steering Systems
18	3818023	1	Steering gear		No feedback, fixed wheel
			* Bulletin P-64-0-1	P-64-0-1-EN	New QL Mechanical and Hydraulic Steering Systems
19	955278	2	* Hexagon screw		
20	963105	2	* Lock nut		
21	3840244	1	Steering cable		L=2000mm
	3840245	1	Steering cable		L=2250mm
	3840246	1	Steering cable		L=2500mm
	3840247	1	Steering cable		L=2750mm
	3840248	1	Steering cable		L=3000mm
	3840249	1	Steering cable		L=3250mm
	3840250	1	Steering cable		L=3500mm
	3840251	1	Steering cable		L=3750mm
	3840252	1	Steering cable		L=4000mm
	3840253	1	Steering cable		L=4250mm
	3840254	1	Steering cable		L=4500mm
	3840255	1	Steering cable		L=4750mm
	3840256	1	Steering cable		L=5000mm
	3840257	1	Steering cable		L=5250mm
	3840258	1	Steering cable		L=5500mm
	3840259	1	Steering cable		L=5750mm
	3840260	1	Steering cable		L=6000mm
	3840261	1	Steering cable		L=6250mm
	3840262	1	Steering cable		L=6500mm
	3840263	1	Steering cable		L=6750mm
	3840264	1	Steering cable		L=7000mm
	3840265	1	Steering cable		L=7250mm
	3840266	1	Steering cable		L=7500mm
	3840267	1	Steering cable		L=7750mm
	3840268	1	Steering cable		L=8000mm
	3840270	1	Steering cable		L=8250mm
	3840272	1	Steering cable		L=8500mm
	3840273	1	Steering cable		L=8750mm
	3840274	1	Steering cable		L=9000mm
22	(853290)	1	Stern attachment		Obsolete part
23	850771	1	* Anchorage		
24	850778	2	* Nut		
25	853306	2	* Nut		
26	940101	2	* Hexagon screw		
27	951739	1	* Lubricating nipple		
28	851093	1	* Bracket		
29	828857	1	* Anchorage		
30	828854	1	* Anchorage		
31	941906	2	* Spring washer		
32	963105	2	* Lock nut		
33	828924	1	* Ball joint kit		
34	(966171)	1	* * Lock nut		Obsolete part
35	967707	1	* * Split pin		
36	963119	1	* * Lock nut		
37		1	* * Split pin bolt		
38		1	* * Shoulder screw		
39		1	* * Bracket		
40	955897	1	* * Washer		
41	853214	1	Adapter		For alternative steering cables.

D1-13A, D1-13B, D1-20A, D1-20B, D1-30A, D1-30B, D2-40A, D2-40B, D1-13F, D1-20F, D1-30F, D2-40F

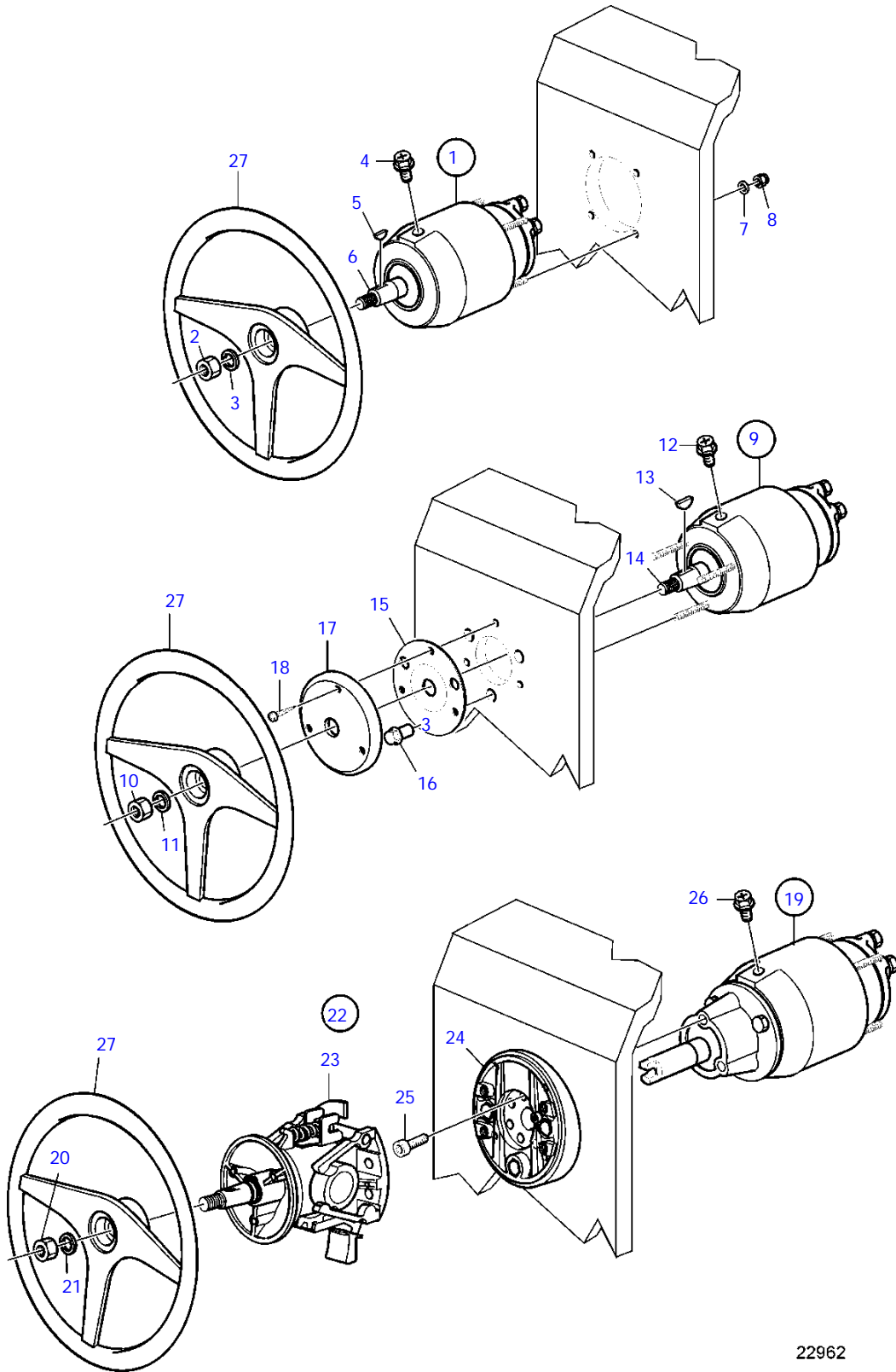


22685

D1-13A, D1-13B, D1-20A, D1-20B, D1-30A, D1-30B, D2-40A, D2-40B, D1-13F, D1-20F, D1-30F, D2-40F

REF	PART NO.	QTY	DESCRIPTION	SEE SEC.	NOTES
1	850936	1	Steering wheel		Alt
2		1	* Steering wheel pad		
3	(1140660)	1	* Emblem		(850938), Obsolete part
4	3843317	1	Wheel		Alt
5		1	* Emblem		
6	1140334	1	Steering wheel		Alt, white
	1140335	1	Steering wheel		Alt, black
7	3841280	1	Steering wheel adjus		
8	971084	1	* Lock nut		
9	955897	1	* Washer		
10		1	* Sealing strip		
11		3	* Screw		
12		1	* Cover		Agile
13		2	* Screw		
14		1	* Cover		Fixed
15		4	* Allen head screw		
16	160807	1	* Woodruff key		
17		1	* Anchorage		Steering wheel
18		3	* Allen head screw		
19		5	* Plug		
20		3	* Screw		
21		1	* Bracket		
22		1	* Gasket		
23		3	* Washer		
24		3	* Nut		
25	3818025	1	Steering gear		T81C
			* Bulletin P-64-0-1	P-64-0-1-EN	New QL Mechanical and Hydraulic Steering Systems
25	3818027	1	Steering gear		No-feedback, tilt wheel
			* Bulletin P-64-0-1	P-64-0-1-EN	New QL Mechanical and Hydraulic Steering Systems
26	990696	1	* O-ring		
27	955278	2	* Hexagon screw		
28	963105	2	* Lock nut		
29	3840244	1	Steering cable		L=2000mm
	3840245	1	Steering cable		L=2250mm
	3840246	1	Steering cable		L=2500mm
	3840247	1	Steering cable		L=2750mm
	3840248	1	Steering cable		L=3000mm
	3840249	1	Steering cable		L=3250mm
	3840250	1	Steering cable		L=3500mm
	3840251	1	Steering cable		L=3750mm
	3840252	1	Steering cable		L=4000mm
	3840253	1	Steering cable		L=4250mm
	3840254	1	Steering cable		L=4500mm
	3840255	1	Steering cable		L=4750mm
	3840256	1	Steering cable		L=5000mm
	3840257	1	Steering cable		L=5250mm
	3840258	1	Steering cable		L=5500mm
	3840259	1	Steering cable		L=5750mm
	3840260	1	Steering cable		L=6000mm
	3840261	1	Steering cable		L=6250mm
	3840262	1	Steering cable		L=6500mm
	3840263	1	Steering cable		L=6750mm
	3840264	1	Steering cable		L=7000mm
	3840265	1	Steering cable		L=7250mm
	3840266	1	Steering cable		L=7500mm
	3840267	1	Steering cable		L=7750mm
	3840268	1	Steering cable		L=8000mm
	3840270	1	Steering cable		L=8250mm
	3840272	1	Steering cable		L=8500mm
	3840273	1	Steering cable		L=8750mm
	3840274	1	Steering cable		L=9000mm
30	(853290)	1	Stern attachment		Obsolete part
31	850771	1	* Anchorage		
32	850778	2	* Nut		
33	853306	2	* Nut		
34	940101	2	* Hexagon screw		
35	951739	1	* Lubricating nipple		
36	851093	1	* Bracket		
37	828857	1	* Anchorage		
38	828854	1	* Anchorage		
39	941906	2	* Spring washer		
40	963105	2	* Lock nut		
41	828924	1	* Ball joint kit		
42	(966171)	1	* Lock nut		Obsolete part
43	967707	1	* Split pin		
44	963119	1	* Lock nut		
45		1	* Split pin bolt		
46		1	* Shoulder screw		
47		1	* Bracket		
48	955897	1	* Washer		
49	853214	1	Adapter		For alternative steering cables.

D1-13A, D1-13B, D1-20A, D1-20B, D1-30A, D1-30B, D2-40A, D2-40B, D1-13F, D1-20F, D1-30F, D2-40F

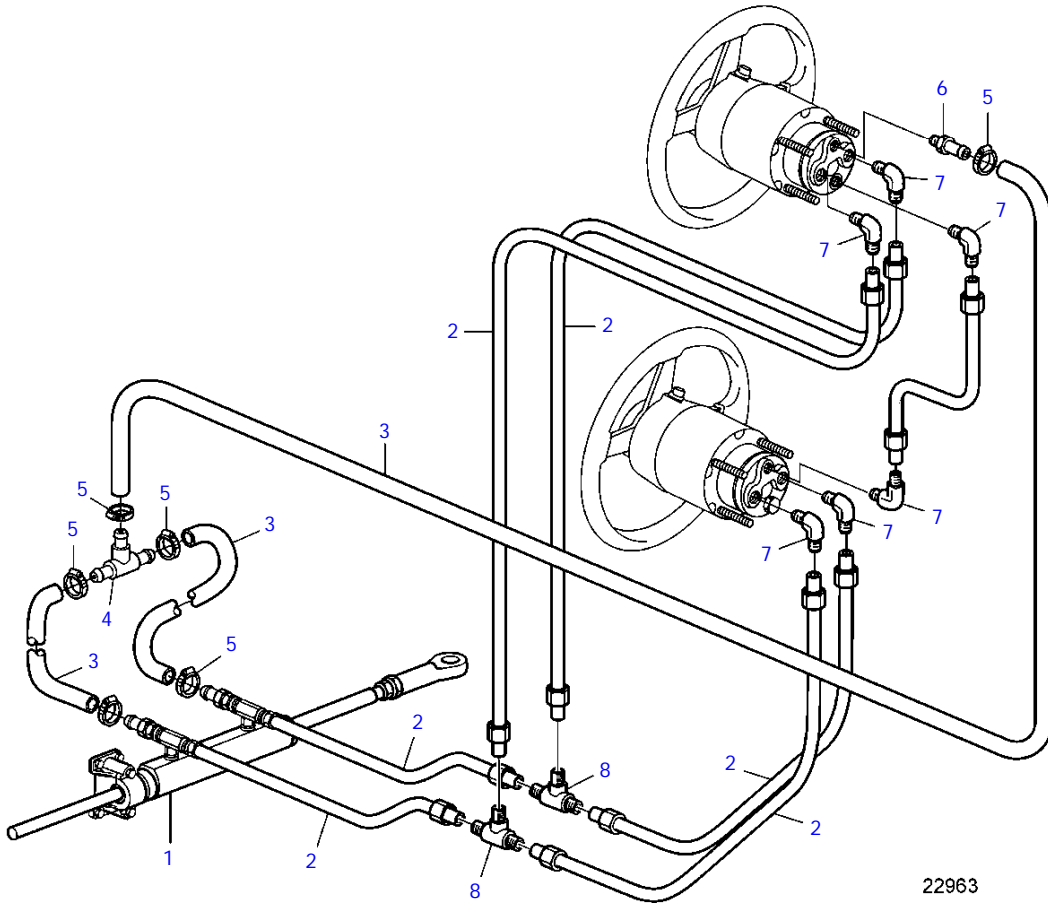
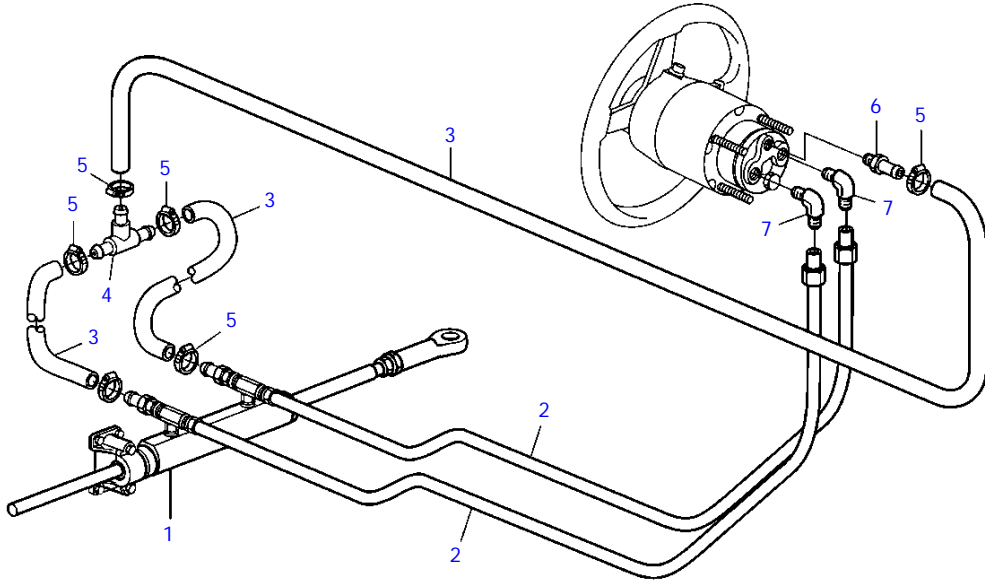


22962

D1-13A, D1-13B, D1-20A, D1-20B, D1-30A, D1-30B, D2-40A, D2-40B, D1-13F, D1-20F, D1-30F, D2-40F

REF	PART NO.	QTY	DESCRIPTION	NOTES
1	3809971	1	Pump piston	Front mounted., 28cc
	3809972	1	Pump piston	Front mounted., 33cc
	3809973	1	Pump piston	Front mounted., 39cc
2		1	* Nut	
3		1	* Washer	
4	21164656	1	* Plug, air venting	
	3843214	1	* Plug	
5		1	* Wedge	
6		2	* Elbow nipple	
7		4	* Washer	
8		4	* Lock nut	
9	3809975	1	Pump piston	Rear mounted., 28cc
	3809976	1	Pump piston	Rear mounted., 33cc
	3809977	1	Pump piston	Rear mounted., 39cc
10		1	* Nut	
11		1	* Washer	
12	21164656	1	* Plug, air venting	
	3843214	1	* Plug	
13		1	* Wedge	
14		2	* Elbow nipple	
15		1	* Bracket	
16		3	* Screw	
17		1	* Cover	
18		3	* Screw	
19	3809978	1	Pump piston	Tilt mounted steering., 28cc
	21135046	1	Pump piston	Tilt mounted steering., 33cc
	3809980	1	Pump piston	Tilt mounted steering., 39cc
20		1	* Nut	
21		1	* Washer	
22	3841280	1	* Steering wheel adjus	
23		1	* * Steering wheel adjus	
24		1	* * Bracket	
25		3	* * Allen head screw	
26	21164656	1	* Plug, air venting	
	3843214	1	Plug	
27	3843317	1	Wheel	Alt
	850936	1	Steering wheel	Alt

D1-13A, D1-13B, D1-20A, D1-20B, D1-30A, D1-30B, D2-40A, D2-40B, D1-13F, D1-20F, D1-30F, D2-40F

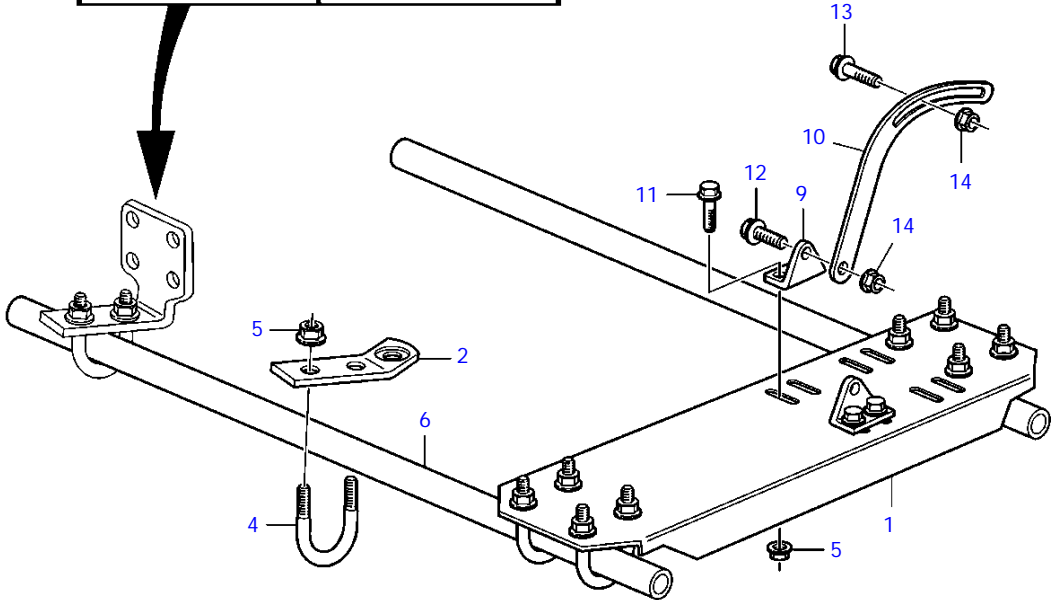
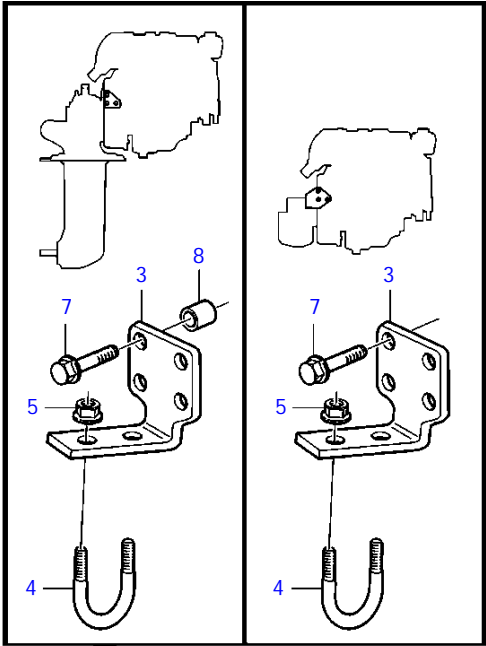


22963

D1-13A, D1-13B, D1-20A, D1-20B, D1-30A, D1-30B, D2-40A, D2-40B, D1-13F, D1-20F, D1-30F, D2-40F

REF	PART NO.	QTY	DESCRIPTION	NOTES
1	3809981	1	Cylinder piston	
	3809982	1	Cylinder	168cc
	3809983	1	Cylinder piston	215cc
2	1140584	X	Pipe	
3	192618	X	Hose	
4		1	T-nipple	Included in kit 3843251.
5		6	Hose clamp	Included in kit 3843251.
6		1	Nipple	Included in kit 3843251.
7		2	Elbow nipple	Included in kit 3843217.
8		2	T-nipple	Included in kit 1140583.

D1-13B, D1-20A, D1-20B, D1-30A, D1-30B, D2-40A, D2-40B, D1-13F, D1-20F, D1-30F, D2-40F



22969

D1-13B, D1-20A, D1-20B, D1-30A, D1-30B, D2-40A, D2-40B, D1-13F, D1-20F, D1-30F, D2-40F

REF	PART NO.	QTY	DESCRIPTION	NOTES
1	3581020	1	Attaching plate	
2	3581030	2	Anchorage	Front
3	3884176	2	Anchorage	Rear
4	3580739	8	Clamp	
5	945408	24	Flange nut	
6	3581029	1	Tube	D1-20, D1-30
	3581027	1	Tube	D2-40
7	965220	6	Flange screw	
8	827861	6	Spacer sleeve	For S-drive.
9	854607	4	Bracket	
10	854608	2	Tensioner	
11	945444	8	Flange screw	
12	946329	2	Flange screw	
13	946472	4	Flange screw	
14	971095	6	Flange nut	

D1-13A, D1-13B

REF	PART NO.	QTY	DESCRIPTION	NOTES
1	3812468	1	Piston kit	
	3812472	1	* Piston ring	
	3884516	1	Main bearing kit, front	
	3884517	1	Main bearing kit, rear	
	3884561	1	Bearing shell kit	
	3887343	1	Gasket kit, water pump	Replaced by 1 pc 3580003 and 1 pc 3580001
	3580003	1	* Gasket	
	3580001	1	* Gasket	
	3593659	1	Impeller kit	
		1	* Impeller	
	3862178	1	* Grease	
	804697	1	* Screw	
	819959	1	* Gasket	
	840385	1	* Gasket	
	876699	1	Repair kit, sea water pump	
	3581367	1	* Spacer sleeve	
	3581369	1	* Cam	
	840384	6	* Screw	
	804693	1	* Screw	
	181717	2	* Ball bearing	
	840386	1	* Cardboard tube	
	859101	1	* Spacer washer	
	833996	2	* Sealing ring	
	925055	1	* O-ring	
	18669	1	* Gasket	
	914515	1	* Snap ring	
	914446	1	* Snap ring	
		1	* Shaft	
	3580063	1	* O-ring	
	883832	1	* Carton	
	3887340	1	Thermostat kit	
	3842015	1	* Thermostat	
	3583830	1	* O-ring	
	3586514	1	* O-ring	
	3884552	1	Onboard kit	
	11991	4	* Gasket	
	11992	4	* Gasket	
	19923	2	Bulb	
	840785	2	Screw	
	853548	2	Hose clamp	
	858283	1	Tape	
	858635	1	Bag	
	861477	1	Fuel filter	
	907132	4	Gasket	
	961667	2	Hose clamp	
	969011	4	Gasket	
	3809625	1	Belt	
	3593659	1	Impeller kit	
	21189380	1	Service kit	
	861473	1	* Oil filter	
	861477	1	* Fuel filter	
	3593659	1	* Impeller kit	

D1-20A, D1-20B

REF	PART NO.	QTY	DESCRIPTION	NOTES
1	3812468	1	Piston kit	
	3812472	1	* Piston ring	
	3884516	1	Main bearing kit, front	
	3884517	1	Main bearing kit, rear	
	3884557	1	Bearing shell kit	
	3887343	1	Gasket kit, water pump	Replaced by 1 pc 3580003 and 1 pc 3580001
	3580003	1	* Gasket	
	3580001	1	* Gasket	
	3593659	1	Impeller kit	
		1	* Impeller	
	3862178	1	* Grease	
	804697	1	* Screw	
	819959	1	* Gasket	
	840385	1	* Gasket	
	876699	1	Repair kit, sea water pump	
	3581367	1	* Spacer sleeve	
	3581369	1	* Cam	
	840384	6	* Screw	
	804693	1	* Screw	
	181717	2	* Ball bearing	
	840386	1	* Cardboard tube	
	859101	1	* Spacer washer	
	833996	2	* Sealing ring	
	925055	1	* O-ring	
	18669	1	* Gasket	
	914515	1	* Snap ring	
	914446	1	* Snap ring	
		1	* Shaft	
	3580063	1	* O-ring	
	883832	1	* Carton	
	3887340	1	Thermostat kit	
	3842015	1	* Thermostat	
	3583830	1	* O-ring	
	3586514	1	* O-ring	
	3884552	1	Onboard kit	
	11991	4	Gasket	
	11992	4	Gasket	
	19923	2	Bulb	
	840785	2	Screw	
	853548	2	Hose clamp	
	858283	1	Tape	
	858635	1	Bag	
	861477	1	Fuel filter	
	907132	4	Gasket	
	961667	2	Hose clamp	
	969011	4	Gasket	
	3809625	1	Belt	
	3593659	1	Impeller kit	
	21189380	1	Service kit	
	861473	1	Oil filter	
	861477	1	Fuel filter	
	3593659	1	Impeller kit	

D1-30A, D1-30B

REF	PART NO.	QTY	DESCRIPTION	NOTES
1	3812470	1	Piston kit	
	3812474	1	* Piston ring kit	
	21132989	1	Main bearing kit	(3884512)
	3812413	1	Bearing shell kit	
	3887345	1	Gasket kit, water pump	Replaced by 1 pc 3884539 and 1 pc 3884540
	3884539	1	* Gasket	
	3884540	1	* Gasket	
	3593659	1	Impeller kit	
		1	* Impeller	
	3862178	1	* Grease	
	804697	1	* Screw	
	819959	1	* Gasket	
	840385	1	* Gasket	
	876700	1	Repair kit, sea water pump	
	3581367	1	* Spacer sleeve	
	827009	1	* Cam	
	840384	6	* Screw	
	804693	1	* Screw	
	181717	2	* Ball bearing	
	840386	1	* Cardboard tube	
	859101	1	* Spacer washer	
	833996	2	* Sealing ring	
	925055	1	* O-ring	
	18669	1	* Gasket	
	914515	1	* Snap ring	
	914446	1	* Snap ring	
		1	* Shaft	
	3580380	1	* O-ring	
	883832	1	* Carton	
	3887340	1	Thermostat kit	
	3842015	1	* Thermostat	
	3583830	1	* O-ring	
	3586514	1	* O-ring	
	3884553	1	Onboard kit	
	11991	4	* Gasket	
	11992	4	* Gasket	
	19923	2	* Bulb	
	840785	2	* Screw	
	853548	2	* Hose clamp	
	858283	1	* Tape	
	858635	1	* Bag	
	861477	1	* Fuel filter	
	907132	4	* Gasket	
	961667	2	* Hose clamp	
	969011	1	* Gasket	
	3812159	1	* Belt	
	3593659	1	* Impeller kit	
	21189422	1	Service kit	
	861477	1	* Fuel filter	
	3593659	1	* Impeller kit	
	3840525	1	* Oil filter	

D2-40A, D2-40B

REF	PART NO.	QTY	DESCRIPTION	NOTES
1	3812470	1	Piston kit	
	3812474	1	* Piston ring kit	
	3884515	1	Main bearing kit	
	21132990	1	Main bearing kit	(3884564)
	3887345	1	Gasket kit, water pump	Replaced by 1 pc 3884539 and 1 pc 3884540
	3884539	1	* Gasket	
	3884540	1	* Gasket	
	3593659	1	Impeller kit	
		1	* Impeller	
	3862178	1	* Grease	
	804697	1	* Screw	
	819959	1	* Gasket	
	840385	1	* Gasket	
	876700	1	Repair kit, sea water pump	
	3581367	1	* Spacer sleeve	
	827009	1	* Cam	
	840384	6	* Screw	
	804693	1	* Screw	
	181717	2	* Ball bearing	
	840386	1	* Cardboard tube	
	859101	1	* Spacer washer	
	833996	2	* Sealing ring	
	925055	1	* O-ring	
	18669	1	* Gasket	
	914515	1	* Snap ring	
	914446	1	* Snap ring	
		1	* Shaft	
	3580380	1	* O-ring	
	883832	1	* Carton	
	3887340	1	Thermostat kit	
	3842015	1	* Thermostat	
	3583830	1	* O-ring	
	3586514	1	* O-ring	
	3884554	1	Onboard kit	
	11991	4	Gasket	
	11992	4	Gasket	
	19923	2	Bulb	
	840785	2	Screw	
	853548	2	Hose clamp	
	858283	1	Tape	
	858635	1	Bag	
	861477	1	Fuel filter	
	18665	4	Gasket	
	961667	2	Hose clamp	
	969011	1	Gasket	
	3812145	1	Belt	
	3593659	1	Impeller kit	
	21189422	1	Service kit	
	861477	1	Fuel filter	
	3593659	1	Impeller kit	
	3840525	1	Oil filter	

DESCRIPTION	SEE SEC.	NOTES
Cylinder Head	8284	D1-13A, D1-13B, D1-13F
Cylinder Head	8285	D1-20A, D1-20B, D1-20F
Cylinder Head	8286	D1-30A, D1-30B, D1-30F
Cylinder Head	8287	D2-40A, D2-40B, D2-40F
Cylinder Block and Flywheel Housing	8288	D1-13A, D1-13B
Cylinder Block and Flywheel Housing	35035	D1-13F
Cylinder Block and Flywheel Housing	8289	D1-20A, D1-20B
Cylinder Block and Flywheel Housing	35046	D1-20F
Cylinder Block and Flywheel Housing	8290	D1-30A, D1-30B
Cylinder Block and Flywheel Housing	35092	D1-30F
Cylinder Block and Flywheel Housing	8291	D2-40A, D2-40B
Cylinder Block and Flywheel Housing	35091	D2-40F
Timing Gear Housing	8292	D1-13A, D1-13B, D1-20A, D1-20B
Timing Gear Housing	35107	D1-13F, D1-20F
Timing Gear Housing	8293	D1-30A, D1-30B
Timing Gear Housing	35110	D1-30F
Timing Gear Housing	8294	D2-40A, D2-40B
Timing Gear Housing	35112	D2-40F
Camshaft and Gears	8318	D1-13A, D1-13B
Camshaft and Gears	35028	D1-13F
Camshaft and Gears	8319	D1-20A, D1-20B
Camshaft and Gears	35047	D1-20F
Camshaft and Gears	8321	D1-30A, D1-30B
Camshaft and Gears	35087	D1-30F
Camshaft and Gears	8322	D2-40A, D2-40B
Camshaft and Gears	35088	D2-40F
Crank Mechanism	8300	D1-13A, D1-13B, D1-13F
Crank Mechanism	8301	D1-20A, D1-20B, D1-20F
Crank Mechanism	8302	D1-30A, D1-30B, D1-30F
Crank Mechanism	8303	D2-40A, D2-40B, D2-40F
Engine Suspension for Reverse Gear	8304	D1-13A, D1-13B, D1-13F
Engine Suspension, Sail Boat Drive Unit	8296	D1-13A, D1-13B, D1-13F
Engine Suspension, Sail Boat Drive Unit	8297	D1-20A, D1-20B, D1-20F
Engine Suspension for Reverse Gear	8305	D1-20A, D1-20B, D1-20F
Engine Suspension for Reverse Gear	8306	D1-30A, D1-30B, D1-30F
Engine Suspension, Sail Boat Drive Unit	8298	D1-30A, D1-30B, D1-30F
Engine Suspension, Sail Boat Drive Unit	8299	D2-40A, D2-40B, D2-40F
Engine Suspension for Reverse Gear	8307	D2-40A, D2-40B, D2-40F

--

DESCRIPTION	SEE SEC.	NOTES
Lubricating System	8308	D1-13A, D1-13B
Lubricating System	35029	D1-13F
Lubricating System	8309	D1-20A, D1-20B, D1-20F
Lubricating System	8310	D1-30A, D1-30B, D1-30F
Lubricating System	8311	D2-40A, D2-40B, D2-40F
Electrical Oil Bilge Pump 12V	8312	D1-13A, D1-13B, D1-20A, D1-20B, D1-30A, D1-30B, D2-40A, D2-40B, D1-13F, D1-20F, D1-30F, D2-40F
Electrical Oil Bilge Pump 24V	8317	D1-13A, D1-13B, D1-20A, D1-20B, D1-30A, D1-30B, D2-40A, D2-40B, D1-13F, D1-20F, D1-30F, D2-40F



--

DESCRIPTION	SEE SEC.	NOTES
Fuel System	8313	D1-13A, D1-13B, D1-13F
Fuel System	8314	D1-20A, D1-20B, D1-20F
Fuel System	8315	D1-30A, D1-30B, D1-30F
Fuel System	8316	D2-40A, D2-40B, D2-40F
Fuel Filter and Feed Pump	9287	D1-13A, D1-13B
Fuel Filter and Feed Pump	35023	D1-13F
Fuel Filter and Feed Pump	9290	D1-20A, D1-20B, D1-20F
Fuel Filter and Feed Pump	9547	D1-30A, D1-30B, D2-40A, D2-40B, D1-30F, D2-40F
Fuel Filter and Water Separator	9024	D1-13A, D1-13B, D1-20A, D1-20B, D1-30A, D1-30B, D2-40A, D2-40B, D1-13F, D1-20F, D1-30F, D2-40F
Fuel Filter and Water Separator, RINA-approved	9025	D1-13A, D1-13B, D1-20A, D1-20B, D1-30A, D1-30B, D2-40A, D2-40B, D1-13F, D1-20F, D1-30F, D2-40F
Fuel Filter and Water Separator	9044	D1-13A, D1-13B, D1-20A, D1-20B, D1-30A, D1-30B, D2-40A, D2-40B, D1-13F, D1-20F, D1-30F, D2-40F
Regulation System	9285	D1-13A, D1-13B
Regulation System	35197	D1-13F
Regulation System	9465	D1-20A, D1-20B
Regulation System	35198	D1-20F
Regulation System	9539	D1-30A, D1-30B
Regulation System	35201	D1-30F
Regulation System	9540	D2-40A, D2-40B
Regulation System	35204	D2-40F

--	--	--



--

DESCRIPTION	SEE SEC.	NOTES
Air Filter	9288	D1-20A, D1-20B, D1-30A, D1-30B, D2-40A, D2-40B, D1-20F, D1-30F, D2-40F
Air Filter	35085	D1-13A, D1-13B, D1-13F
Exhaust Riser	9785	D1-13A, D1-13B, D1-20A, D1-20B, D1-30A, D1-30B, D2-40A, D2-40B, D1-13F, D1-20F, D1-30F, D2-40F
Exhaust Pipe	8329	D1-13A, D1-13B, D1-20A, D1-20B, D1-30A, D1-30B, D2-40A, D2-40B, D1-13F, D1-20F, D1-30F, D2-40F



DESCRIPTION	SEE SEC.	NOTES
Heat Exchanger	8335	D1-13A, D1-13B
Heat Exchanger	35033	D1-13F
Heat Exchanger, Components	9708	D1-13A, D1-13B, D1-13F
Heat Exchanger	8336	D1-20A, D1-20B
Heat Exchanger	35078	D1-20F
Heat Exchanger, Components	9709	D1-20A, D1-20B, D1-20F
Heat Exchanger	8337	D1-30A
Heat Exchanger	21474	D1-30B, D1-30F
Heat Exchanger, Components	9710	D1-30A, D1-30B, D1-30F
Heat Exchanger	8338	D2-40A
Heat Exchanger	21477	D2-40B, D2-40F
Heat Exchanger, Components	9711	D2-40A, D2-40B, D2-40F
Water Pump	8339	D1-13A, D1-20A
Water Pump	21475	D1-13B, D1-20B, D1-13F, D1-20F
Water Pump	8340	D1-30A, D1-30B, D2-40A, D2-40B, D1-30F, D2-40F
Sea Water Pump	8343	D1-13A, D1-13B, D1-20A, D1-20B, D1-13F, D1-20F
Sea Water Pump	8344	D1-30A, D1-30B, D2-40A, D2-40B, D1-30F, D2-40F
Sea Water Pump, Components	4153	D1-13A, D1-13B, D1-20A, D1-20B, D1-13F, D1-20F
Sea Water Pump, Components	9344	D1-30A, D1-30B, D2-40A, D2-40B, D1-30F, D2-40F
Sea Water Filter	207	D1-13A, D1-13B, D1-20A, D1-20B, D1-30A, D1-30B, D2-40A, D2-40B, D1-13F, D1-20F, D1-30F, D2-40F
Vacuum Valve	208	D1-13A, D1-13B, D1-20A, D1-20B, D1-30A, D1-30B, D2-40A, D2-40B, D1-13F, D1-20F, D1-30F, D2-40F
Expansion Tank	8330	D1-13A, D1-13B, D1-20A, D1-20B, D1-13F, D1-20F
Hot Water Outlet	8341	D1-13A, D1-13B, D1-20A, D1-20B, D1-30A, D1-30B, D2-40A, D2-40B, D1-13F, D1-20F, D1-30F, D2-40F
Cooling Water Intake	9345	D1-13A, D1-13B, D1-20A, D1-20B, D1-30A, D1-30B, D2-40A, D2-40B, D1-13F, D1-20F, D1-30F, D2-40F
Expansion Tank	8350	D1-30A, D1-30B, D2-40A, D2-40B, D1-30F, D2-40F
Cooling Water Intake	9346	D2-40A, D2-40B, D2-40F

DESCRIPTION	SEE SEC.	NOTES
Control Connection	8323	D1-13A, D1-13B
Control Connection	35302	D1-13F
Control Connection	22255	D1-20A, D1-20B
Control Connection	35218	D1-20F
Control Connection	8324	D1-30A, D1-30B
Control Connection	8325	D2-40A, D2-40B
Control Connection	35219	D1-30F, D2-40F
Handle for Control	266	D1-13A, D1-13B, D1-20A, D1-20B, D1-30A, D1-30B, D2-40A, D2-40B, D1-13F, D1-20F, D1-30F, D2-40F
Control for top Installation, PC740 Sail Boat	267	D1-13A, D1-13B, D1-20A, D1-20B, D1-30A, D1-30B, D2-40A, D2-40B, D1-13F, D1-20F, D1-30F, D2-40F
Control for top Installation, PC740, Single	9532	D1-13A, D1-13B, D1-20A, D1-20B, D1-30A, D1-30B, D2-40A, D2-40B, D1-13F, D1-20F, D1-30F, D2-40F
Control for top Installation, PC740, Twin	9533	D1-13A, D1-13B, D1-20A, D1-20B, D1-30A, D1-30B, D2-40A, D2-40B, D1-13F, D1-20F, D1-30F, D2-40F
Control for Side Installation, PC741	9534	D1-13A, D1-13B, D1-20A, D1-20B, D1-30A, D1-30B, D2-40A, D2-40B, D1-13F, D1-20F, D1-30F, D2-40F
Control for Side Installation, PC741, Sail Boat	9535	D1-13A, D1-13B, D1-20A, D1-20B, D1-30A, D1-30B, D2-40A, D2-40B, D1-13F, D1-20F, D1-30F, D2-40F
Control for Side Installation, PC841	9536	D1-13A, D1-13B, D1-20A, D1-20B, D1-30A, D1-30B, D2-40A, D2-40B, D1-13F, D1-20F, D1-30F, D2-40F
Control for top Installation, PC840, Single	9950	D1-13A, D1-13B, D1-20A, D1-20B, D1-30A, D1-30B, D2-40A, D2-40B, D1-13F, D1-20F, D1-30F, D2-40F
Control for top Installation, PC840, Twin	9951	D1-13A, D1-13B, D1-20A, D1-20B, D1-30A, D1-30B, D2-40A, D2-40B, D1-13F, D1-20F, D1-30F, D2-40F
Control Cables	36542	D1-13A, D1-13B, D1-20A, D1-20B, D1-30A, D1-30B, D2-40A, D2-40B, D1-13F, D1-20F, D1-30F, D2-40F
Control Cables, Type 233, 333, 443: Type 233	231	D1-13A, D1-13B, D1-20A, D1-20B, D1-30A, D1-30B, D2-40A, D2-40B, D1-13F, D1-20F, D1-30F, D2-40F
Control Cables, Type 233, 333, 443: Type 333	231B	D1-13A, D1-13B, D1-20A, D1-20B, D1-30A, D1-30B, D2-40A, D2-40B, D1-13F, D1-20F, D1-30F, D2-40F
Control Cables, Type 233, 333, 443: Type 443	231C	D1-13A, D1-13B, D1-20A, D1-20B, D1-30A, D1-30B, D2-40A, D2-40B, D1-13F, D1-20F, D1-30F, D2-40F
Dual Station Unit	277	D1-13A, D1-13B, D1-20A, D1-20B, D1-30A, D1-30B, D2-40A, D2-40B, D1-13F, D1-20F, D1-30F, D2-40F

DESCRIPTION	SEE SEC.	NOTES
Alternator	8355	D1-13A, D1-13B, D1-20A, D1-20B, D1-13F, D1-20F
Alternator	8356	D1-30A, D1-30B, D2-40A, D2-40B
Alternator	35099	D1-30F, D2-40F
Extra Alternator	8359	D1-20A, D1-20B, D1-20F
Extra Alternator	8360	D1-30A, D1-30B, D2-40A, D2-40B, D1-30F, D2-40F
Alternator 14V 115A, Components	9997	D1-13A, D1-13B, D1-20A, D1-20B, D1-13F, D1-20F
Alternator 14V 115A, Components	9893	D1-30A, D1-30B, D2-40A, D2-40B, D1-30F, D2-40F
Charging Distributor	8361	D2-40A, D2-40B, D2-40F
Starter Motor	8362	D1-13A, D1-13B, D1-20A, D1-20B, D1-13F, D1-20F
Starter Motor	8364	D1-30A, D1-30B, D2-40A, D2-40B, D1-30F, D2-40F
Starter Motor, Components	21449	D1-13A, D1-13B, D1-20A, D1-20B, D1-13F, D1-20F
Starter Motor, Components	8367	D1-30A, D1-30B, D1-30F, D2-40F
Electrical System	8369	D1-13A, D1-20A, D1-30A, D2-40A
EVC Electrical System D1-D2	21454	D1-13B, D1-20B, D1-30B, D2-40B
EVC Electrical System D1-D2	35100	D1-13F, D1-20F, D1-30F, D2-40F
EVC Electrical Materials and Instrument D1-D2	21457	D1-13B, D1-20B, D1-30B, D2-40B, D1-13F, D1-20F, D1-30F, D2-40F
EVC Control Unit and Cables D1-D2	21459	D1-13B, D1-20B, D1-30B, D2-40B, D1-13F, D1-20F, D1-30F, D2-40F
Instrument Panel Standard, with Start Button	21483	D1-13A, D1-20A, D1-30A, D2-40A
Instrument Panel Standard, with Key Switch	21484	D1-13A, D1-20A, D1-30A, D2-40A
Extra Instrument Panel	21485	D1-13A, D1-20A, D1-30A, D2-40A
Clock Kit	21486	D1-13A, D1-20A, D1-30A, D2-40A
Alarm Panel	21487	D1-13A, D1-20A, D1-30A, D2-40A
Rudder Indicator Kit for Reverse Gear	21488	D1-13A, D1-20A, D1-30A, D2-40A
Tank Meter Kit for Fresh Water	21491	D1-13A, D1-20A, D1-30A, D2-40A
Exhaust Thermo Switch Control	21492	D1-13A, D1-20A, D1-30A, D2-40A
Tank Meter Kit for Fuel	21490	D1-13A, D1-20A, D1-30B, D2-40A
Main Battery Switch	8368	D1-13A, D1-13B, D1-20A, D1-20B, D1-30A, D1-30B, D2-40A, D2-40B, D1-13F, D1-20F, D1-30F, D2-40F
Electrical Materials	1963	D1-13A, D1-13B, D1-20A, D1-20B, D1-30A, D1-30B, D2-40A, D2-40B, D1-13F, D1-20F, D1-30F, D2-40F
Electrical Materials	1964	D1-13A, D1-13B, D1-20A, D1-20B, D1-30A, D1-30B, D2-40A, D2-40B, D1-13F, D1-20F, D1-30F, D2-40F
Electrical Materials	1965	D1-13A, D1-13B, D1-20A, D1-20B, D1-30A, D1-30B, D2-40A, D2-40B, D1-13F, D1-20F, D1-30F, D2-40F

--

DESCRIPTION	SEE SEC.	NOTES
Connection Kit for Reverse Gear, MS10A-B, MS10L-B	8373	D1-13A, D1-13B, D1-20A, D1-20B, D1-30A, D1-30B, D1-13F, D1-20F, D1-30F
Connection Kit for S-drive, 130S-B, 130SR-B	8375	D1-13A, D1-13B, D1-20A, D1-20B, D1-30A, D1-30B, D2-40A, D2-40B, D1-13F, D1-20F, D1-30F, D2-40F
Connection Kit for Reverse Gear, MS10A-B, MS10L-B, MS15A-B, MS15L-B	8374	D1-30A, D1-30B, D2-40A, D2-40B, D1-30F, D2-40F
Folding Propeller 3-blade	4206	D1-13A, D1-13B, D1-20A, D1-20B, D1-30A, D1-30B, D2-40A, D2-40B, D1-13F, D1-20F, D1-30F, D2-40F
Folding Propeller, 2-blade	4223	D1-13A, D1-13B, D1-20A, D1-20B, D1-30A, D1-30B, D2-40A, D2-40B, D1-13F, D1-20F, D1-30F, D2-40F
Folding Propeller 2-blade, Later Production	22465	D1-13A, D1-13B, D1-20A, D1-20B, D1-30A, D1-30B, D2-40A, D2-40B, D1-13F, D1-20F, D1-30F, D2-40F
Bronze Propeller and Zinc Anode, Acc. to ISO-Std	373	D1-13A, D1-13B, D1-20A, D1-20B, D1-30A, D1-30B, D2-40A, D2-40B, D1-13F, D1-20F, D1-30F, D2-40F
Propeller for S-drive	229	D1-13A, D1-13B, D1-20A, D1-20B, D1-30A, D1-30B, D2-40A, D2-40B, D1-13F, D1-20F, D1-30F, D2-40F
Propeller Shaft Sleeve	9944	D1-13A, D1-13B, D1-20A, D1-20B, D1-30A, D1-30B, D2-40A, D2-40B, D1-13F, D1-20F, D1-30F, D2-40F
Shaft Coupling, Flexible	9701	D1-13A, D1-13B, D1-20A, D1-20B, D1-30A, D1-30B, D2-40A, D2-40B, D1-13F, D1-20F, D1-30F, D2-40F
Shaft Coupling, Flexible	9702	D1-13A, D1-13B, D1-20A, D1-20B, D1-30A, D1-30B, D2-40A, D2-40B, D1-13F, D1-20F, D1-30F, D2-40F
Shaft Coupling, Locking Pin	9703	D1-13A, D1-13B, D1-20A, D1-20B, D1-30A, D1-30B, D2-40A, D2-40B, D1-13F, D1-20F, D1-30F, D2-40F
Shaft Coupling, Clamp Type	9704	D1-13A, D1-13B, D1-20A, D1-20B, D1-30A, D1-30B, D2-40A, D2-40B, D1-13F, D1-20F, D1-30F, D2-40F
Propeller Shaft Stuffing Box	9705	D1-13A, D1-13B, D1-20A, D1-20B, D1-30A, D1-30B, D2-40A, D2-40B, D1-13F, D1-20F, D1-30F, D2-40F
Stern Bearing	9706	D1-13A, D1-13B, D1-20A, D1-20B, D1-30A, D1-30B, D2-40A, D2-40B, D1-13F, D1-20F, D1-30F, D2-40F
Greaser and Stuffing Box	285	D1-13A, D1-13B, D1-20A, D1-20B, D1-30A, D1-30B, D2-40A, D2-40B, D1-13F, D1-20F, D1-30F, D2-40F

DESCRIPTION	SEE SEC.	NOTES
Steering System, Mechanical	9308	D1-13A, D1-13B, D1-20A, D1-20B, D1-30A, D1-30B, D2-40A, D2-40B, D1-13F, D1-20F, D1-30F, D2-40F
Steering System, Mechanical with Tilt	9309	D1-13A, D1-13B, D1-20A, D1-20B, D1-30A, D1-30B, D2-40A, D2-40B, D1-13F, D1-20F, D1-30F, D2-40F
Steering System, Hydraulic	9669	D1-13A, D1-13B, D1-20A, D1-20B, D1-30A, D1-30B, D2-40A, D2-40B, D1-13F, D1-20F, D1-30F, D2-40F
Steering System, Hydraulic, Single and Dual Installation	9670	D1-13A, D1-13B, D1-20A, D1-20B, D1-30A, D1-30B, D2-40A, D2-40B, D1-13F, D1-20F, D1-30F, D2-40F

--

DESCRIPTION	SEE SEC.	NOTES
Universal Bracket for Reverse Gear and S-drive	8378	D1-13B, D1-20A, D1-20B, D1-30A, D1-30B, D2-40A, D2-40B, D1-13F, D1-20F, D1-30F, D2-40F

--

DESCRIPTION	SEE SEC.	NOTES
Repair Kits	8381	D1-13A, D1-13B
Repair Kits	8382	D1-20A, D1-20B
Repair Kits	8383	D1-30A, D1-30B
Repair Kits	8384	D2-40A, D2-40B

D1-13A, D1-13B, D1-20A, D1-20B, D1-30A, D1-30B, D2-40A, D2-40B, D1-13F, D1-20F, D1-30F, D2-40F

--

REF	DESCRIPTION	SEE SEC.
21	Engine	21
22	Lubricating System	22
23	Fuel System	23
25	Intake and Exhaust System	25
26	Cooling System	26
27	Controls	27
30	Electrical System	30
44	Transmissions	44
64	Steering System	64
90	Miscellaneous Equipment	90
99	Repair Kits	99

--	--	--

