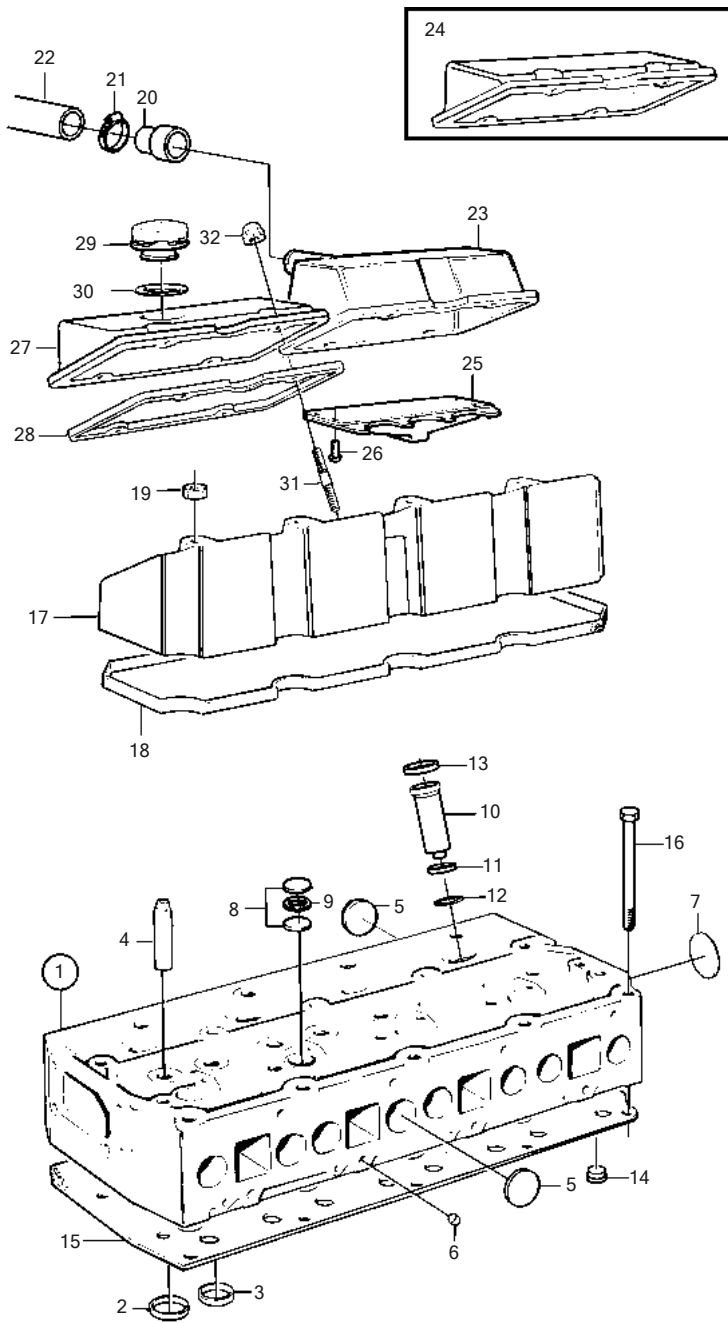


AD31L-A, TAMD31L-A, TAMD31M-A, TMD31L-A

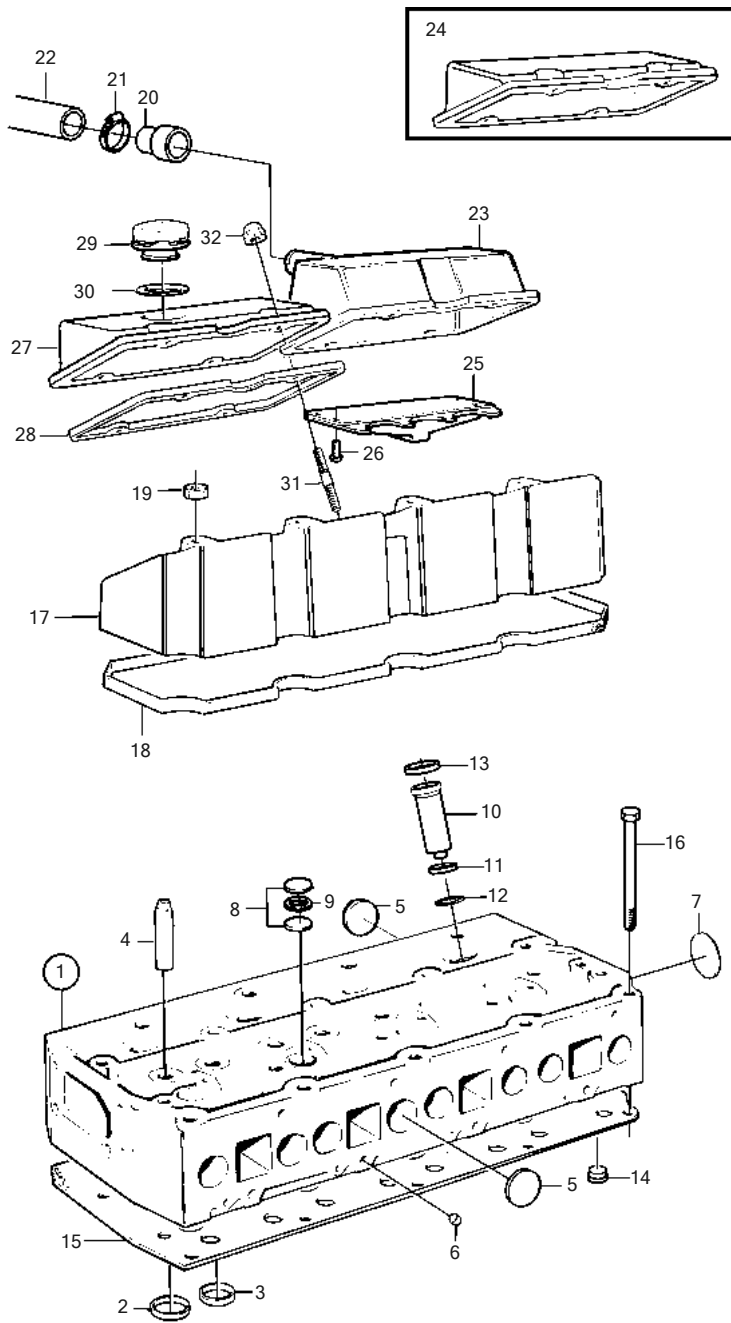


22662

AD31L-A, TAMD31L-A, TAMD31M-A, TMD31L-A

REF	PART NO.	QTY	DESCRIPTION	SEE SEC.	NOTES
1	3803306	1	Cylinder head		SN-2203129975, (860646)
					SN2203129976-2203135150, (3581588)
					SN-2203129780, (861629)
					SN2203129781-2203135150, (3581552)
2	858331	4	• Valve seat, exhaust		
3	860035	4	• Valve seat, intake		
4	3582561	8	• Valve guide		
5	477026	9	• Expansion plug		
6	967853	8	• Cap plug		
7	968955	1	• Expansion plug		
8	967948	8	• Expansion plug		
9	949329	4	• Gasket		
10	861255	4	• Spray sleeve		SN-2203129975
	3581536	4	• Spray sleeve		SN2203129976-2203135150
11	838896	4	• Sealing ring		
12	838821	4	• O-ring		
13	838619	4	• Retainer		
14	465420	4	• Jet		
15	3582432	1	Cylinder head gasket		
16	838775	19	Flange screw		
17	838648	1	Valve cover		
18	838652	1	Gasket		
19	945408	4	Flange nut		
20	861114	1	Protecting sleeve	1695	Not for SOLAS
	861114	1	Protecting sleeve	3346	Not for SOLAS
21	943472	1	Hose clamp	1695	
22	946234	X	Tube	1695	L=720mm not for SOLAS
23	860541	1	Valve cover		Not for SOLAS, Replaced by 860542, 860601 & 977771
	860542	1	• Valve cover		
24	838650	1	Valve cover		SOLAS
25	860601	1	Insert		Not for SOLAS
26	977771	4	Flange screw		
27	(838651)	1	Valve cover		Obsolete part
28	838654	2	Gasket		
29	1275403	1	Oil filler cap		
30	1275379	1	Gasket		
31	1542380	8	Stud		
32	968458	8	Flange cap nut		

AD31P-A, TAMD31P-A

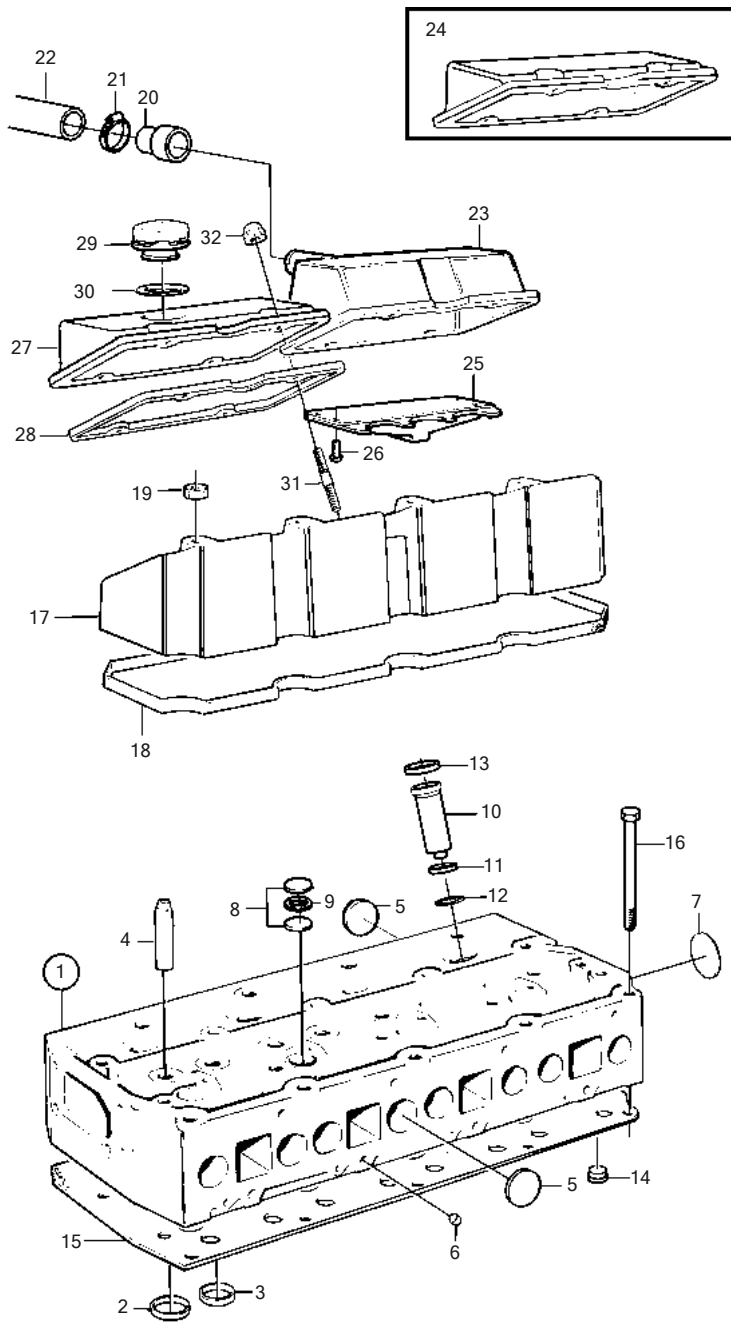


22662

AD31P-A, TAMD31P-A

REF	PART NO.	QTY	DESCRIPTION	SEE SEC.	NOTES
1	3803306	1	Cylinder head		SN-2203129975, (860646)
2	858331	4	• Valve seat, exhaust		
3	860035	4	• Valve seat, intake		
4	3582561	8	• Valve guide		
5	477026	9	• Expansion plug		
6	967853	8	• Cap plug		
7	968955	1	• Expansion plug		
8	967948	8	• Expansion plug		
9	949329	4	• Gasket		
10	3581536	4	• Spray sleeve		
11	838896	4	• Sealing ring		
12	838821	4	• O-ring		
13	838619	4	• Retainer		
14	465420	4	• Jet		
15	3582432	1	Cylinder head gasket		
16	838775	19	Flange screw		
17	838648	1	Valve cover		
18	838652	1	Gasket		
19	945408	4	Flange nut		
20	861114	1	Protecting sleeve	1695	Not for SOLAS
	861114	1	Protecting sleeve	3346	Not for SOLAS
21	943472	1	Hose clamp	1695	
22	946234	X	Tube	1695	L=720mm not for SOLAS
23	860541	1	Valve cover		Not for SOLAS, Replaced by 860542, 860601 & 977771
	860542	1	• Valve cover		
25	860601	1	Insert		Not for SOLAS
26	977771	4	Flange screw		
27	(838651)	1	Valve cover		Obsolete part
28	838654	2	Gasket		
29	1275403	1	Oil filler cap		
30	1275379	1	Gasket		
31	1542380	8	Stud		
32	968458	8	Flange cap nut		

TAMD31S-A

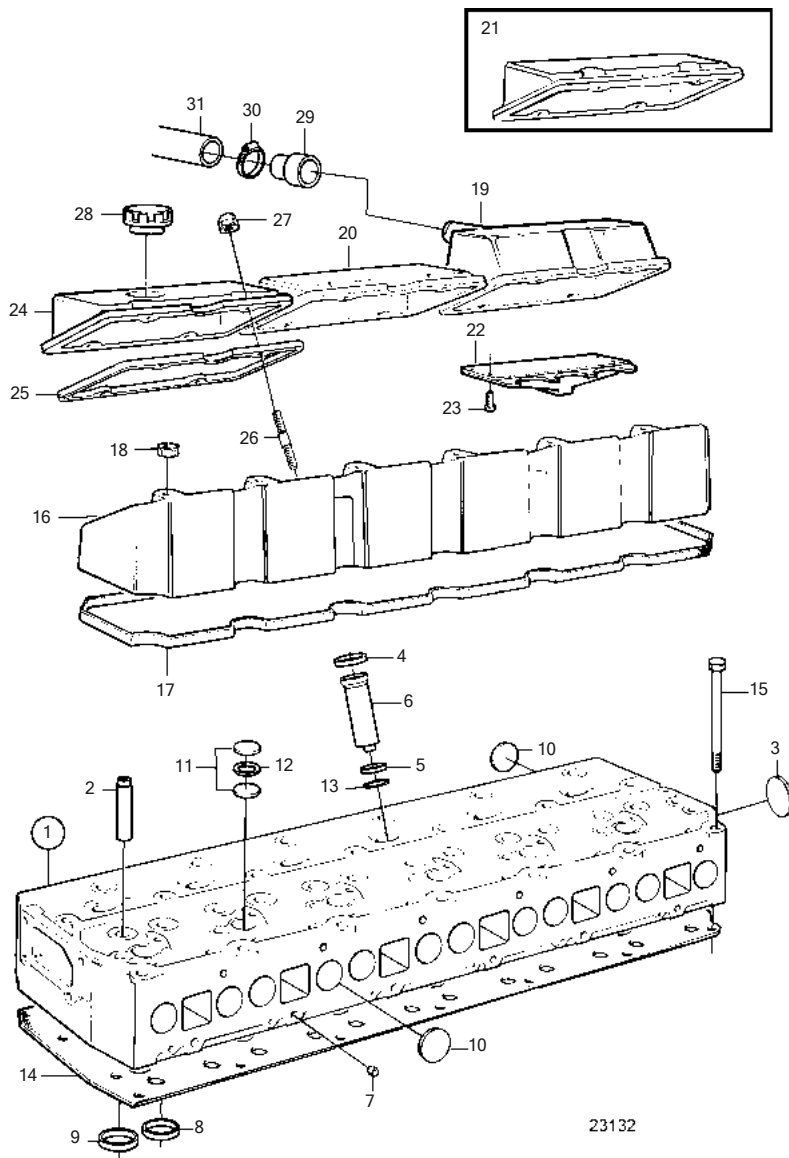


22662

TAMD31S-A

REF	PART NO.	QTY	DESCRIPTION	SEE SEC.	NOTES
1	3803306	1	Cylinder head		SN-2203129975, (860646)
2	858331	4	• Valve seat, exhaust		
3	860035	4	• Valve seat, intake		
4	3582561	8	• Valve guide		
5	477026	9	• Expansion plug		
6	967853	8	• Cap plug		
7	968955	1	• Expansion plug		
8	967948	8	• Expansion plug		
9	949329	4	• Gasket		
10	3581536	4	• Spray sleeve		
11	838896	4	• Sealing ring		
12	838821	4	• O-ring		
13	838619	4	• Retainer		
14	465420	4	• Jet		
15	3582432	1	Cylinder head gasket		
16	838775	19	Flange screw		
17	838648	1	Valve cover		
18	838652	1	Gasket		
19	945408	4	Flange nut		
20	861114	1	Protecting sleeve	1695	Not for SOLAS
	861114	1	Protecting sleeve	3346	Not for SOLAS
21	943472	1	Hose clamp	1695	
22	946234	X	Tube	1695	L=720mm not for SOLAS
23	860541	1	Valve cover		Not for SOLAS, Replaced by 860542, 860601 & 977771
	860542	1	• Valve cover		
25	860601	1	Insert		Not for SOLAS
26	977771	4	Flange screw		
27	(838651)	1	Valve cover		Obsolete part
28	838654	2	Gasket		
29	1275403	1	Oil filler cap		
30	1275379	1	Gasket		
31	1542380	8	Stud		
32	968458	8	Flange cap nut		

TAMD41H-A, TAMD41H-B, TAMD41P-A, TAMD41L-A, TAMD41M-A,  
TMD41L-A



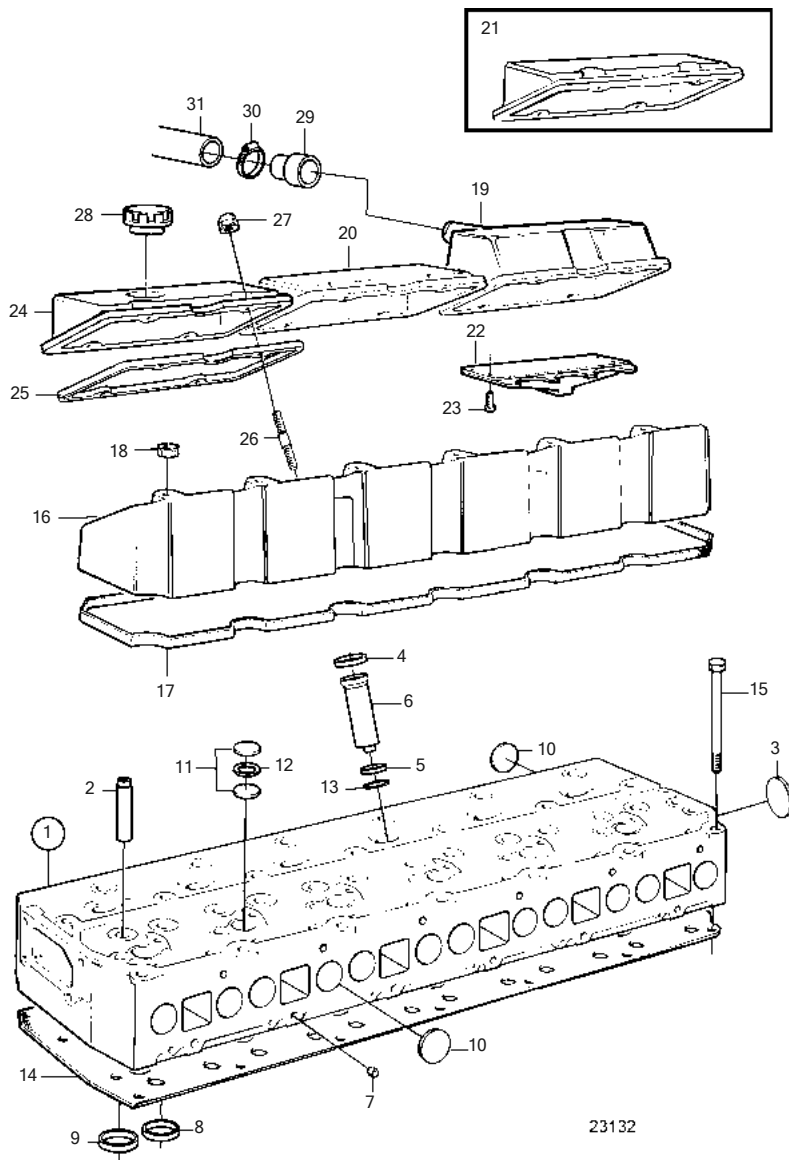
23132

TAMD41H-A, TAMD41H-B, TAMD41P-A, TAMD41L-A, TAMD41M-A, TMD41L-A

REF	PART NO.	QTY	DESCRIPTION	SEE SEC.	NOTES
1	861300	1	Cylinder head		SN-2204158807, Repl by 3581554
	3581554	1	Cylinder head		SN2204158808-2204168098, Repl by 3583900
	3583900	1	Cylinder head		SN2204168099-, Replaced by 3803308
	3803308	1	Cylinder head, exch		SN2204168099-, Replaced by 3803308
	3803308	1	Cylinder head		
2	3582561	12	• Valve guide		
3	968955	1	• Expansion plug		
4	838619	6	• Retainer		
5	838896	6	• Sealing ring		
6	861255	6	• Spray sleeve		SN-2204158807, For cylinder head 861300
	3581536	6	• Spray sleeve		SN2204158808-
7	967853	12	• Cap plug		
8	858331	6	• Valve seat, exhaust		
9	860035	6	• Valve seat, intake		
10	477026	13	• Expansion plug		
11	967948	12	• Expansion plug		
12	949329	6	• Gasket		
13	838821	6	• O-ring		
14	3583786	1	Cylinder head gasket		
15	838775	27	Flange screw		
16	838649	1	Valve cover		
17	838653	1	Gasket		
18	945408	4	Flange nut		
19	860541	1	Valve cover		Not for SOLAS, Replaced by 860542, 860601 & 977771
	860542	1	• Valve cover		
20	838650	1	Valve cover		
21	838650	1	Valve cover		SOLAS
22	860601	1	Insert		
23	977771	4	Flange screw		
24	(838651)	1	Valve cover		Obsolete part
25	838654	3	Gasket		
26	1542380	12	Stud		
27	968458	12	Flange cap nut		
28	1275403	1	Oil filler cap		
29	861114	1	Protecting sleeve	1696	Not for SOLAS
30	943472	1	Hose clamp	1696	Not for SOLAS
31	946234	X	Tube	1696	L=670mm not for SOLAS



AD41L-A, AD41P-A, D41L-A

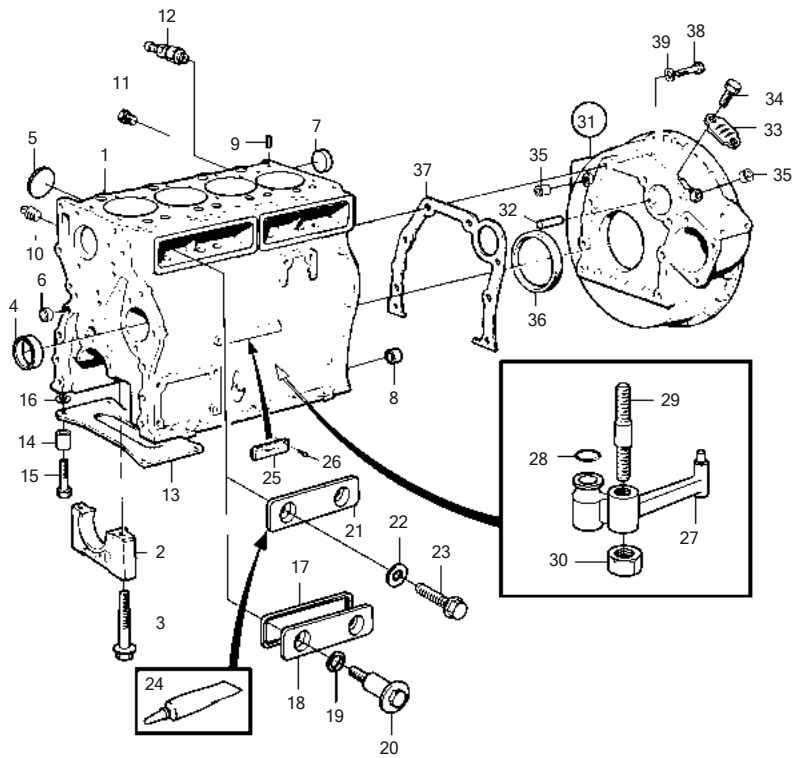


23132

AD41L-A, AD41P-A, D41L-A

REF	PART NO.	QTY	DESCRIPTION	SEE SEC.	NOTES
1	861300	1	Cylinder head		SN-2204158807, Repl by 3581554
	3581554	1	Cylinder head		SN2204158808-2204168098, Repl by 3583900
	3583900	1	Cylinder head		SN2204168099-, Replaced by 3803308
	3803308	1	Cylinder head, exch		SN2204168099-, Replaced by 3803308
	3803308	1	Cylinder head		
2	3582561	12	• Valve guide		
3	968955	1	• Expansion plug		
4	838619	6	• Retainer		
5	838896	6	• Sealing ring		
6	861255	6	• Spray sleeve		SN-2204158807, For cylinder head 861300
	3581536	6	• Spray sleeve		SN2204158808-
7	967853	12	• Cap plug		
8	858331	6	• Valve seat, exhaust		
9	860035	6	• Valve seat, intake		
10	477026	13	• Expansion plug		
11	967948	12	• Expansion plug		
12	949329	6	• Gasket		
13	838821	6	• O-ring		
14	3583786	1	Cylinder head gasket		
15	838775	27	Flange screw		
16	838649	1	Valve cover		
17	838653	1	Gasket		
18	945408	4	Flange nut		
19	860541	1	Valve cover		Not for SOLAS, Replaced by 860542, 860601 & 977771
	860542	1	• Valve cover		
20	838650	1	Valve cover		
22	860601	1	Insert		
23	977771	4	Flange screw		
24	(838651)	1	Valve cover		Obsolete part
25	838654	3	Gasket		
26	1542380	12	Stud		
27	968458	12	Flange cap nut		
28	1275403	1	Oil filler cap		
29	861114	1	Protecting sleeve	1696	Not for SOLAS
30	943472	1	Hose clamp	1696	Not for SOLAS
31	946234	X	Tube	1696	L=670mm not for SOLAS

AD31L-A, TAMD31L-A, TAMD31M-A, TAMD31S-A, TMD31L-A

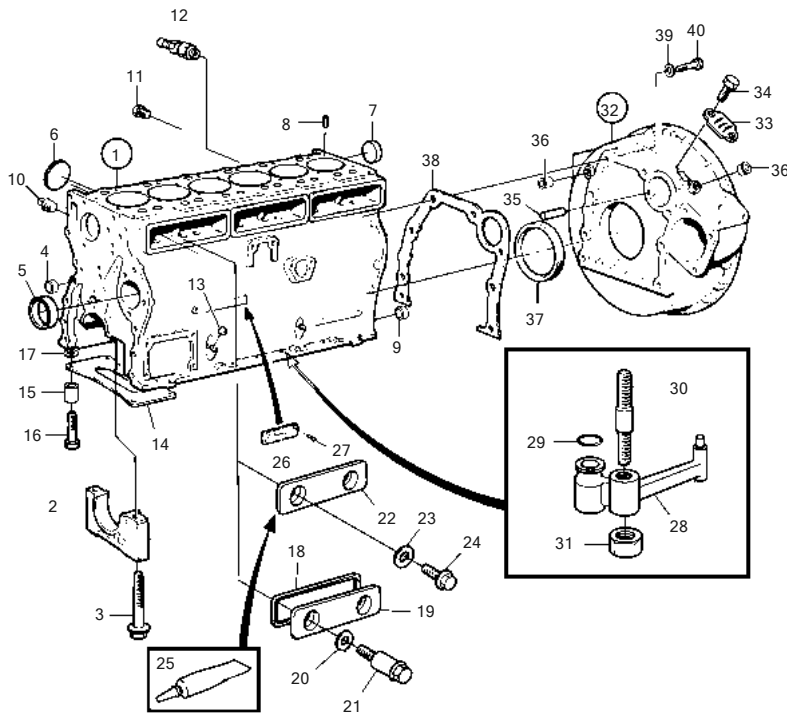


22694

AD31L-A, TAM31L-A, TAM31M-A, TAM31S-A, TMD31L-A

REF	PART NO.	QTY	DESCRIPTION	NOTES
1	861015	1	Cylinder block	SN-2203133630
	3583851	1	Cylinder block	SN2203133631-2203135150
2		5	• Main bearing cap	
3	861005	10	• Screw	
4	1542067	5	• Camshaft bushing	
5	463905	2	• Expansion plug	
6	955083	4	• Cap plug	
7	968955	1	• Expansion plug	
8	415311	3	• Guide sleeve	
9	946402	2	• Grooved pin	
10	479977	1	Plug	
11	479979	2	Plug	
12	947893	1	Shut-off cock	
13	1545159	1	Foot plate	
14	1545160	4	Spacer sleeve	
15	965187	4	Flange screw	
16	3850090	4	Spacer	
17	1542052	2	Sealing	Early type
18	1542050	2	Inspection lid	Early type
19	469846	4	Sealing ring	Early type
20	(859447)	4	Shoulder screw	Obsolete part, Early type, Use 3581324 with parts
21	3581324	2	Inspection lid	Late type
22	18666	4	Gasket	Late type
23	965185	4	Flange screw	Late type
24	1161277	X	Sealant	Late type
	1161231	X	Sealant	Late type
25		1	Sign	
26	950885	2	Drive screw	
27	1542320	4	Oil jet	Included in cylinder liner kit 3581714.
28	955981	4	O-ring	
29	1542380	4	Stud	
30	946035	4	Lock nut	
31	3581825	1	Flywheel housing	
32	404069	1	Pin	
33	407092	1	Cover	
34	967949	2	Flange screw	
35	860926	1	Plug	
36	3582851	1	Sealing ring	
37	829487	1	Gasket	
38	965185	6	Flange screw	L=40mm
	965220	2	Flange screw	L=45mm
39	941908	8	Spring washer	

AD41L-A, AD41P-A, D41L-A, TAMD41H-A, TAMD41H-B, TAMD41P-A,  
TAMD41L-A, TAMD41M-A, TMD41L-A



23082

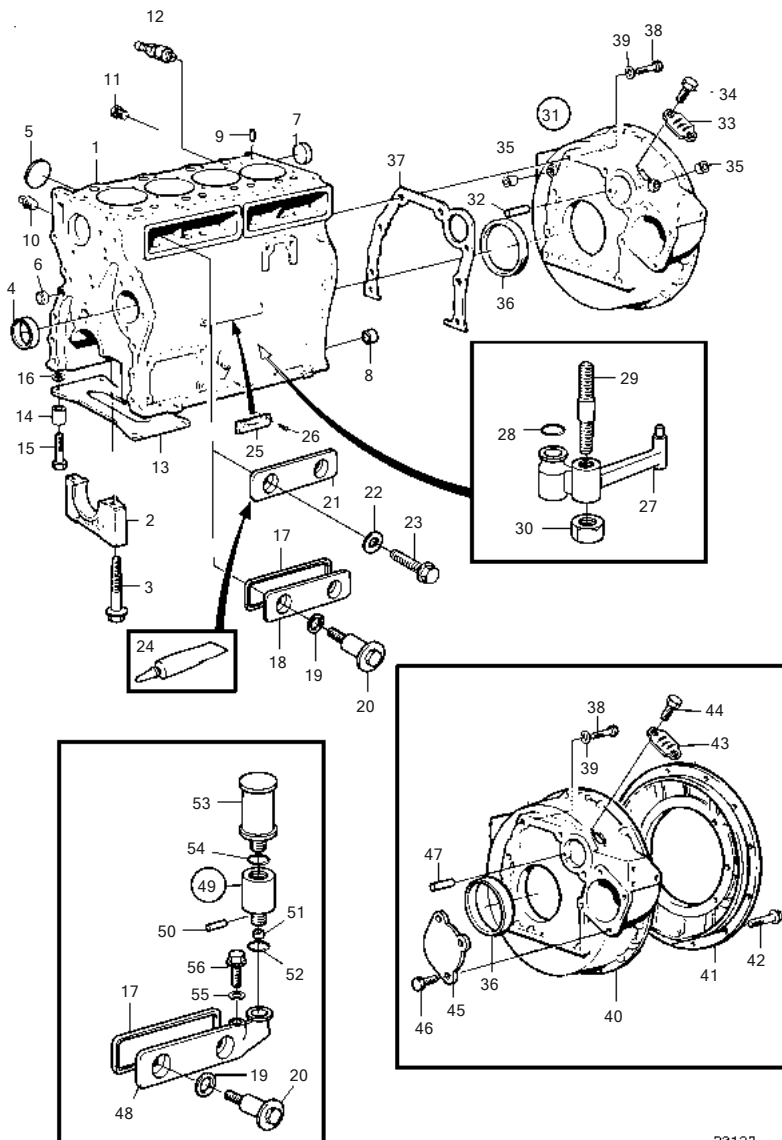
AD41L-A, AD41P-A, D41L-A, TAMD41H-A, TAMD41H-B, TAMD41P-A, TAMD41L-A,  
TAMD41M-A, TMD41L-A

REF	PART NO.	QTY	DESCRIPTION	NOTES
1	861690	1	Cylinder block	SN-2204164415
	3583103	1	Cylinder block	SN2204164416-2204168098
2		7	· Main bearing cap	
3	861005	14	· Screw	
4	955083	4	· Cap plug	
5	1542067	7	· Camshaft bushing	
6	463905	5	· Expansion plug	
7	968955	1	· Expansion plug	
8	946402	2	· Grooved pin	
9	415311	3	· Guide sleeve	
10	479977	2	Plug	
11	479979	3	Plug	
12	947893	1	Shut-off cock	
13	955082	1	Cap plug	
14	1545159	1	Foot plate	
15	1545160	4	Spacer sleeve	
16	965187	4	Flange screw	
17	3850090	4	Spacer	
18	1542052	3	Sealing	Early type
19	1542050	3	Inspection lid	Early type
20	469846	6	Sealing ring	Early type
21	(859447)	6	Shoulder screw	Obsolete part, Early type, Use 3581324 with parts
22	3581324	3	Inspection lid	Late type
23	18666	6	Gasket	Late type
24	965185	6	Flange screw	Late type
25	1161277	X	Sealant	Late type
	1161231	X	Sealant	Late type
26		1	Sign	
27	950885	2	Drive screw	
28	1542320	6	Oil jet	Included in cylinder liner kit 3581714.
29	955981	6	O-ring	
30	1542380	6	Stud	
31	946035	6	Lock nut	
32	3581825	1	Flywheel housing	
33	407092	1	Cover	
34	967949	2	Flange screw	
35	404069	1	Pin	
36	860926	2	Plug	
37	3582851	1	Sealing ring	
38	829487	1	Gasket	
39	941908	8	Spring washer	
40	965185	6	Flange screw	L=40mm
	965220	2	Flange screw	L=45mm

# 21

## Cylinder Block and Flywheel Housing: SOLAS

TAMD31L-A, TAMD31M-A



23133

TAMD31L-A, TAMD31M-A

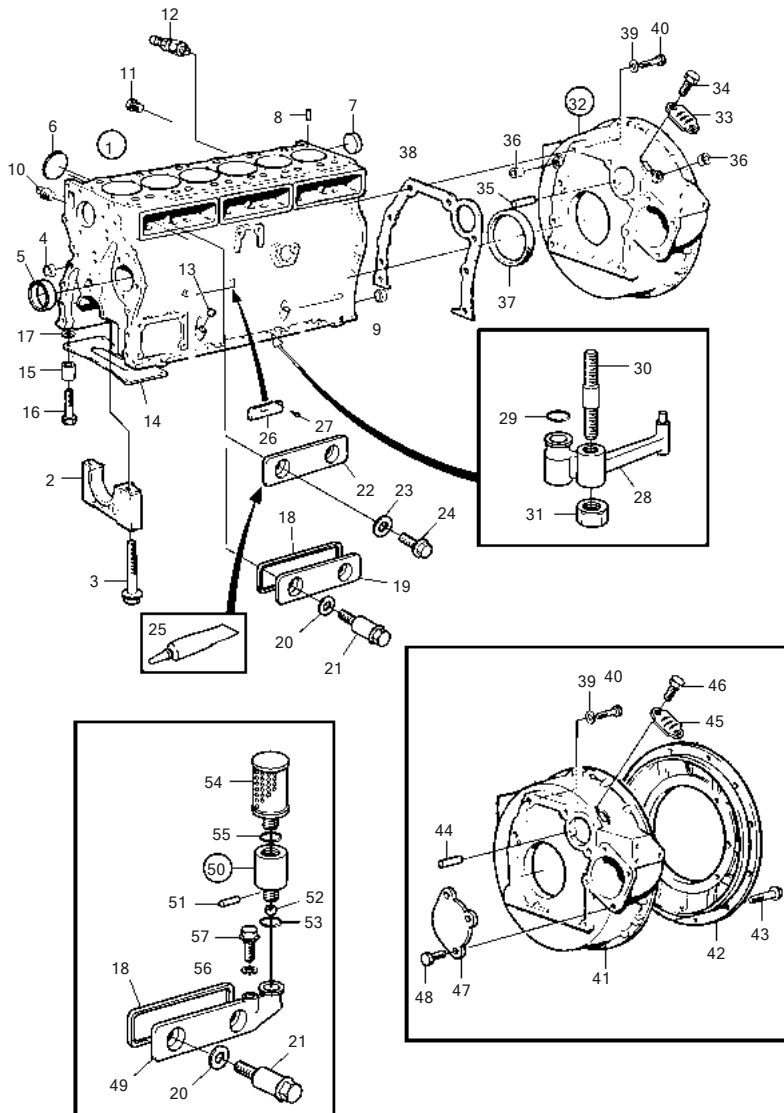
REF	PART NO.	QTY	DESCRIPTION	NOTES
1	861015	1	Cylinder block	SN-2203133630
	3583851	1	Cylinder block	SN2203133631-2203135150
2		5	• Main bearing cap	
3	861005	10	• Screw	
4	1542067	5	• Camshaft bushing	
5	463905	2	• Expansion plug	
6	955083	4	• Cap plug	
7	968955	1	• Expansion plug	
8	415311	3	• Guide sleeve	
9	946402	2	• Grooved pin	
10	479977	1	Plug	
11	479979	2	Plug	
12	947893	1	Shut-off cock	
13	1545159	1	Foot plate	
14	1545160	4	Spacer sleeve	
15	965187	4	Flange screw	
16	3850090	4	Spacer	
17	1542052	2	Sealing	Early type
18	1542050	1	Inspection lid	Early type
19	469846	4	Sealing ring	Early type
20	(859447)	4	Shoulder screw	Obsolete part, Early type, Use 3581324 with parts
21	3581324	2	Inspection lid	Late type
22	18666	4	Gasket	Late type
23	965185	4	Flange screw	Late type
24	1161277	X	Sealant	Late type
	1161231	X	Sealant	Late type
25		1	Sign	
26	950885	2	Drive screw	
27	1542320	4	Oil jet	Included in cylinder liner kit 3581714.
28	955981	4	O-ring	
29	1542380	4	Stud	
30	946035	4	Lock nut	
31	3581825	1	Flywheel housing	
32	404069	1	Pin	
33	407092	1	Cover	
34	967949	2	Flange screw	
35	860926	1	Plug	
36	3582851	1	Sealing ring	
37	829487	1	Gasket	
38	965185	6	Flange screw	L=40mm
	965220	2	Flange screw	L=45mm
39	941908	8	Spring washer	
40	858164	1	Flywheel housing	
41	858165	1	Cardboard tube	
42	946752	10	Flange screw	
43	407092	1	Cover	
44	967949	2	Flange screw	
45	423081	1	Cover	
46	946329	3	Flange screw	
47	404069	1	Pin	
48	(838763)	1	Crankcase ventilatio	Obsolete part
49	858256	1	Check valve	
50	951971	1	• Spring pin	
51	181501	1	• Ball	
52	843449	1	• Gasket	
53	876069	1	Filter	
54	843449	1	Gasket	
55	(947426)	1	Washer	Obsolete part
56	967949	1	Flange screw	



# 21

## Cylinder Block and Flywheel Housing: SOLAS

TAMD41P-A



23099

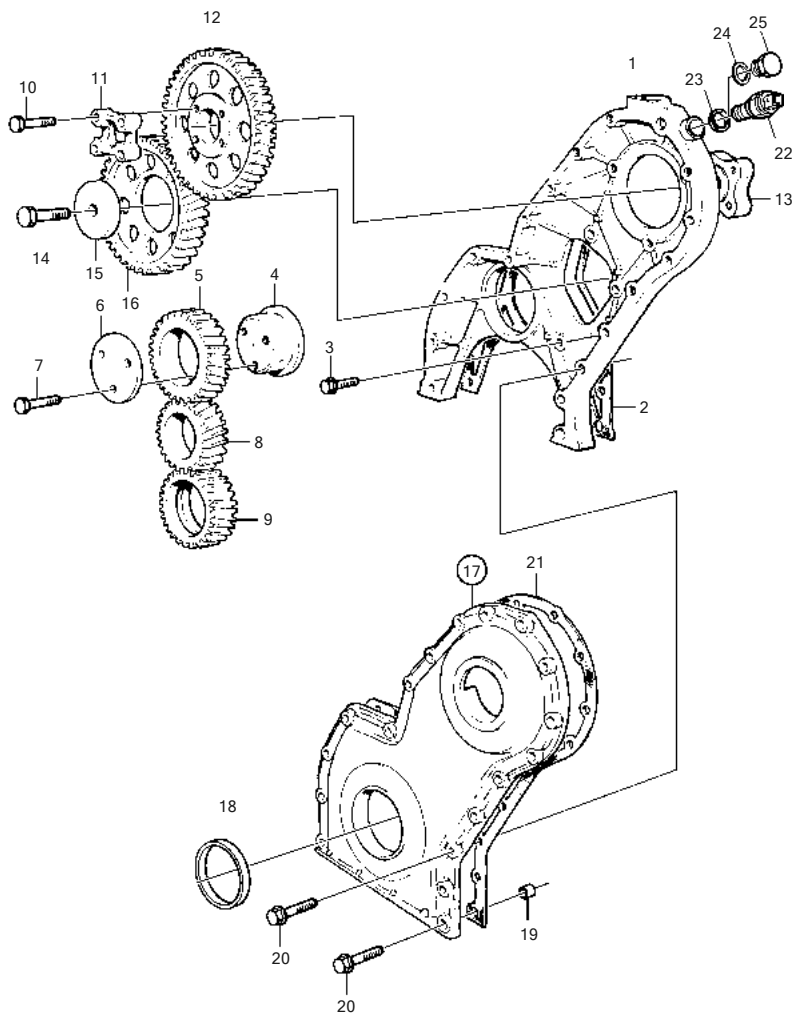
TAMD41P-A

REF	PART NO.	QTY	DESCRIPTION	NOTES
1	861690	1	Cylinder block	SN-2204164415
	3583103	1	Cylinder block	SN2204164416-2204168098
2		7	• Main bearing cap	
3	861005	14	• Screw	
4	955083	4	• Cap plug	
5	1542067	7	• Camshaft bushing	
6	463905	5	• Expansion plug	
7	968955	1	• Expansion plug	
8	946402	2	• Grooved pin	
9	415311	3	• Guide sleeve	
10	479977	2	Plug	
11	479979	3	Plug	
12	947893	1	Shut-off cock	
13	955082	1	Cap plug	
14	1545159	1	Foot plate	
15	1545160	4	Spacer sleeve	
16	965187	4	Flange screw	
17	3850090	4	Spacer	
18	1542052	3	Sealing	Early type
19	1542050	3	Inspection lid	Early type
20	469846	6	Sealing ring	Early type
21	(859447)	6	Shoulder screw	Obsolete part, Early type. Use 3581324 with parts
22	3581324	3	Inspection lid	Late type
23	18666	6	Gasket	Late type
24	965185	6	Flange screw	Late type
25	1161277	X	Sealant	Late type
	1161231	X	Sealant	Late type
26		1	Sign	
27	950885	2	Drive screw	
28	1542320	6	Oil jet	Included in cylinder liner kit 3581714.
29	955981	6	O-ring	
30	1542380	6	Stud	
31	946035	6	Lock nut	
32	3581825	1	Flywheel housing	
33	407092	1	Cover	
34	967949	2	Flange screw	
35	404069	1	Pin	
36	860926	2	Plug	
37	3582851	1	Sealing ring	
38	829487	1	Gasket	
39	941908	8	Spring washer	
40	965185	6	Flange screw	L=40mm
	965220	2	Flange screw	L=45mm
41	858164	1	Flywheel housing	
42	858165	1	Cardboard tube	
43	946752	10	Flange screw	
44	404069	1	Pin	
45	407092	1	Cover	
46	967949	2	Flange screw	
47	423081	1	Cover	
48	946329	3	Flange screw	
49	(838763)	1	Crankcase ventilatio	Obsolete part
50	858256	1	Check valve	
51	951971	1	• Spring pin	
52	181501	1	• Ball	
53	843449	1	• Gasket	
54	876069	1	Filter	
55	843449	1	Gasket	
56	(947426)	1	Washer	Obsolete part
57	967949	1	Flange screw	

# 21

## Timing Gear Casing and Gears

AD31L-A, AD31P-A, TAMD31L-A, TAMD31M-A, TAMD31P-A, TAMD31S-A,  
TMD31L-A



23102

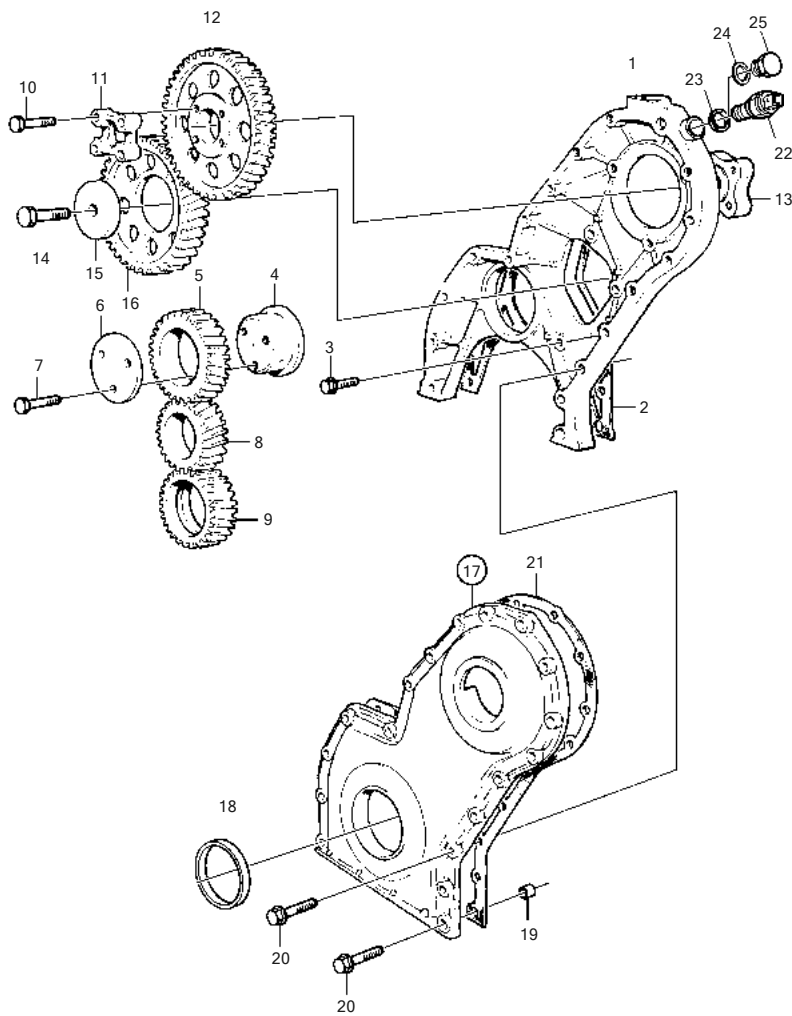
AD31L-A, AD31P-A, TAMD31L-A, TAMD31M-A, TAMD31P-A, TAMD31S-A, TMD31L-A

REF	PART NO.	QTY	DESCRIPTION	NOTES
1	3581447	1	Timing gear casing	
2	859039	1	Gasket	
3	946173	3	Flange screw	L=20mm
	946671	1	Flange screw	L=30mm
4	838997	1	Bearing spindle	
5	1542061	1	Gear	
6	1542065	1	Thrust washer	
7	965180	3	Flange screw	
8	1542305	1	Gear	
9	1542215	1	Oil pump wheel	
10	955298	4	Hexagon screw	
11	829523	1	Companion flange	
12	3581531	1	Gear	
13	859601	1	Hub	
14	965193	1	Flange screw	
15	1542223	1	Washer	
16	1542034	1	Gear	
17	843086	1	Cover	Replaced by 842991
	842991	1	• Cover	
18	1542318	1	Sealing ring	
19	415311	1	Guide sleeve	
20	946470	5	Flange screw	L=35mm
	947760	2	Flange screw	L=40mm
	948217	1	Flange screw	L=45mm
	965181	6	Flange screw	L=70mm
	965182	2	Flange screw	L=80mm
	965189	1	Flange screw	
	965183	1	Flange screw	L=90mm
21	859038	1	Gasket	
22	862251	1	Tachometer sensor	For revolution relay.
23	957181	1	Gasket	
24	976931	1	Gasket	Alt
25	960632	1	Plug	Alt

# 21

## Timing Gear Casing and Gears

AD41L-A, AD41P-A, D41L-A, TAMD41H-A, TAMD41H-B, TAMD41P-A,  
TAMD41L-A, TAMD41M-A, TMD41L-A

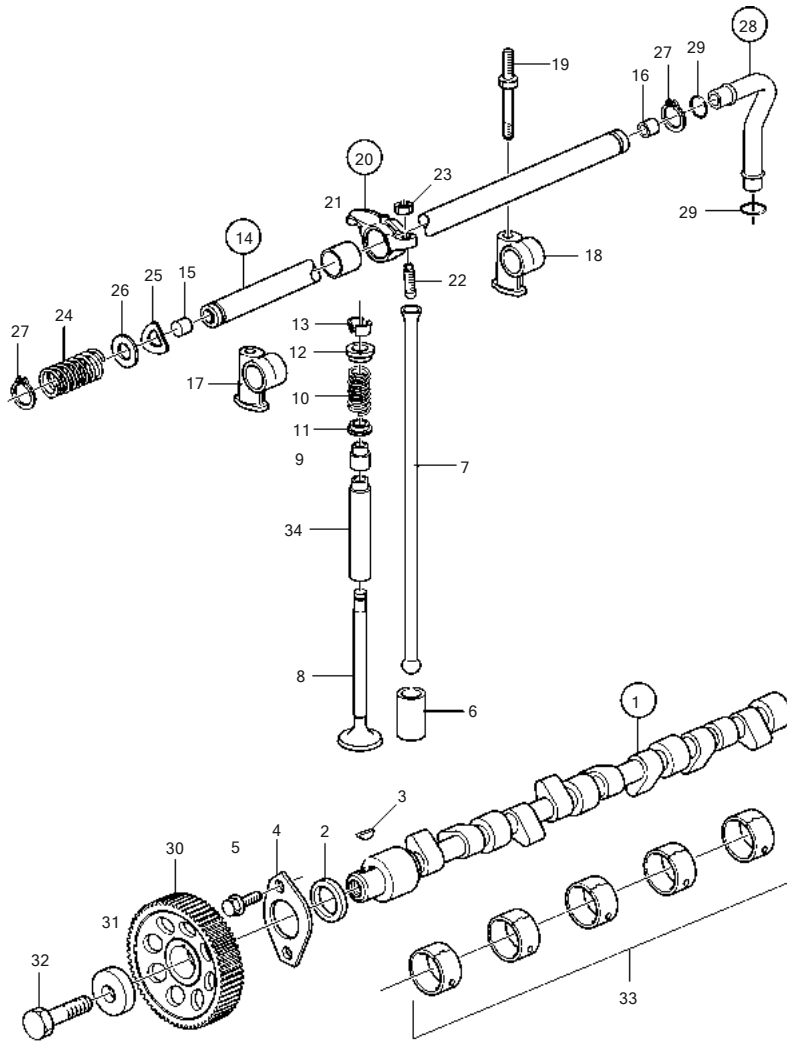


23102

AD41L-A, AD41P-A, D41L-A, TAMD41H-A, TAMD41H-B, TAMD41P-A, TAMD41L-A,  
TAMD41M-A, TMD41L-A

REF	PART NO.	QTY	DESCRIPTION	NOTES
1	3581447	1	Timing gear casing	(838655)
2	859039	1	Gasket	
3	946173	3	Flange screw	L=20mm
	946671	1	Flange screw	L=30mm
4	838997	1	Bearing spindle	
5	1542061	1	Gear	
6	1542065	1	Thrust washer	
7	965180	3	Flange screw	
8	1542305	1	Gear	
9	1542215	1	Oil pump wheel	
10	955298	4	Hexagon screw	
11	829523	1	Companion flange	
12	3581531	1	Gear	(838657)
13	859601	1	Hub	
14	965193	1	Flange screw	
15	1542223	1	Washer	
16	1542034	1	Gear	
17	843086	1	Cover	Replaced by 842991
	842991	1	• Cover	
18	1542318	1	• Sealing ring	
19	415311	1	• Guide sleeve	
20	946470	6	Flange screw	L=35mm
	947760	2	Flange screw	L=40mm
	948217	2	Flange screw	L=45mm earlier prod
	965181	6	Flange screw	L=70mm
	965182	2	Flange screw	L=80mm
	965183	1	Flange screw	L=90mm
21	859038	1	Gasket	
22	862251	1	Tachometer sensor	For revolution relay.
23	957181	1	Gasket	
24	976931	1	Gasket	Alt
25	960632	1	Plug	Alt

AD31L-A, AD31P-A, TAMD31L-A, TAMD31M-A, TAMD31P-A, TAMD31S-A, TMD31L-A



18173

**Camshaft and Valve Mechanism**

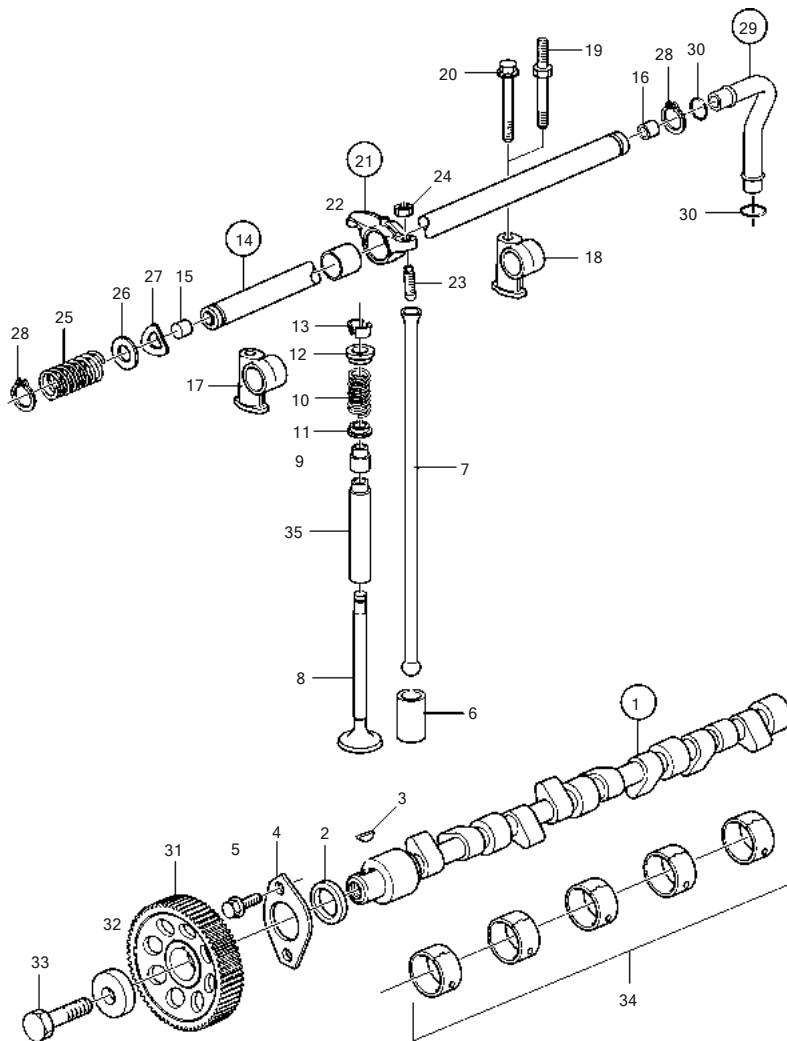
**21**

AD31L-A, AD31P-A, TAM31L-A, TAM31M-A, TAM31P-A, TAM31S-A, TMD31L-A

REF	PART NO.	QTY	DESCRIPTION	SEE SEC.	NOTES
1	861201	1	Camshaft		
2	1542221	1	• Spacer washer		
3	910116	1	• Woodruff key		
4	838992	1	Thrust washer		
5	946440	2	Flange screw		
6	1542208	8	Valve tappet		
7	838636	8	Push rod		
8	838638	4	Exhaust valve, exhaust		
	838637	4	Inlet valve, intake		
9	859171	8	Valve stem seal		
10	1545198	8	Valve spring		
11	1332137	8	Valve spring washer		
12	838639	8	Washer		
13	1677875	16	Valve collet		
14	838641	1	Rocker arm shaft		
15	955083	1	• Cap plug		
16	840444	1	• Sleeve		
17	838726	1	Adapter		
18	838647	3	Bearing bracket		
19	838732	4	Stud		
20	3581128	4	Rocker arm, exhaust		No 1,3,5,7
	3581129	4	Rocker arm, intake		No 2,4,6,8
21	418297	4	• Bushing		
22	3581121	4	• Ball stud		
23	921781	4	• Hexagon nut		
24	411139	3	Compression spring		
25	840686	2	Spring washer		
26	400722	2	Shim		
27	914456	2	Snap ring		
28	860686	1	Tube		
29	969198	2	• O-ring		
30	1542034	1	Gear		
31	1542223	1	Washer		
32	965193	1	Flange screw		
33	1542067	5	Camshaft bushing	1666	
34	3582561	8	Valve guide	1664	



AD41L-A, AD41P-A, D41L-A, TAM41H-A, TAM41H-B, TAM41P-A,  
TAMD41L-A, TAM41M-A, TMD41L-A

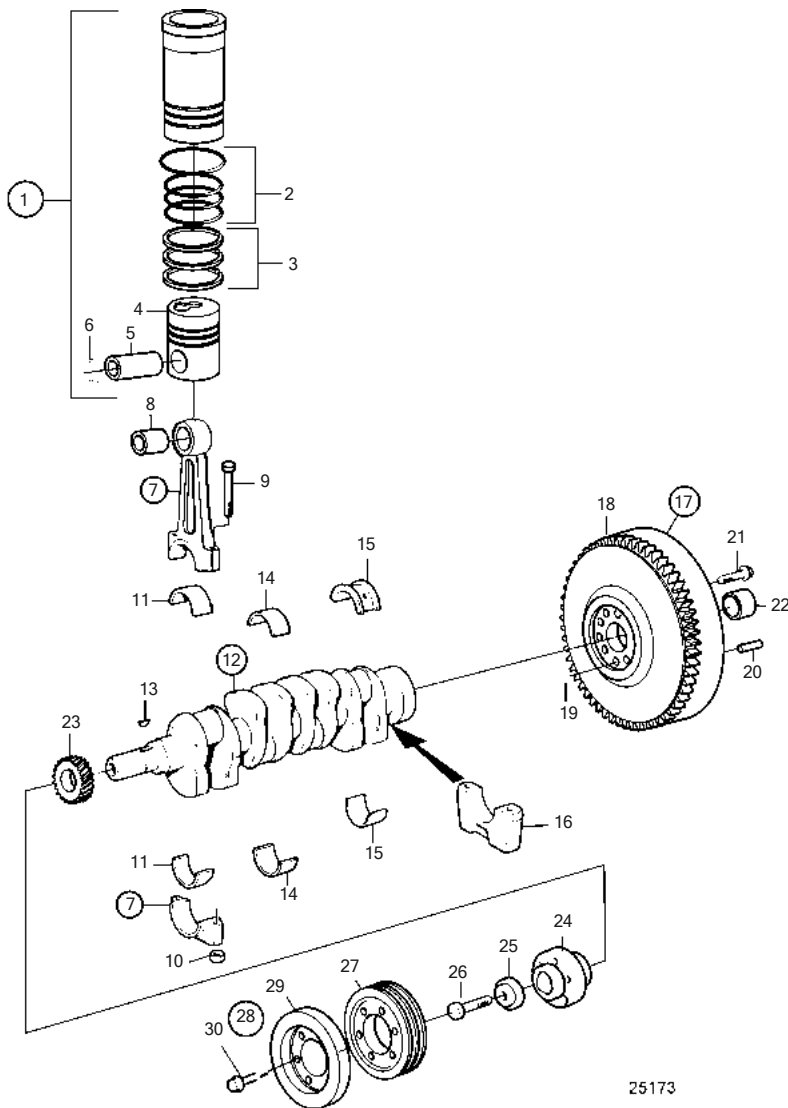


18175

AD41L-A, AD41P-A, D41L-A, TAMD41H-A, TAMD41H-B, TAMD41P-A, TAMD41L-A,  
TAMD41M-A, TMD41L-A

REF	PART NO.	QTY	DESCRIPTION	NOTES
1	3817142	1	Camshaft	(3583266)
2	1542221	1	• Spacer washer	
3	910116	1	• Woodruff key	
4	838992	1	Thrust washer	
5	946440	2	Flange screw	
6	1542208	12	Valve tappet	
7	838636	12	Push rod	
8	838638	6	Exhaust valve, exhaust	
	838637	6	Inlet valve, intake	
9	859171	12	Valve stem seal	
10	1545198	12	Valve spring	
11	1332137	12	Valve spring washer	
12	838639	12	Washer	
13	1677875	24	Valve collet	
14	838643	1	Rocker arm shaft	
15	955083	1	• Cap plug	
16	840444	1	• Sleeve	
17	838726	1	Adapter	
18	838647	5	Bearing bracket	
19	838732	4	Stud	
20	965188	2	Flange screw	
21	3581128	6	Rocker arm, exhaust	No 1,3,5,7,9,11
	3581129	6	Rocker arm, intake	No 2,4,6,8,10,12
22	418297	12	• Bushing	
23	3581121	12	• Ball stud	
24	921781	12	• Hexagon nut	
25	411139	5	Compression spring	
26	840686	2	Spring washer	
27	400722	2	Shim	
28	914456	2	Snap ring	
29	860686	1	Tube	
30	969198	2	• O-ring	
31	1542034	1	Gear	
32	1542223	1	Washer	
33	965193	1	Flange screw	
34	1542067	7	Camshaft bushing	
35	3582561	12	Valve guide	

AD31L-A, AD31P-A

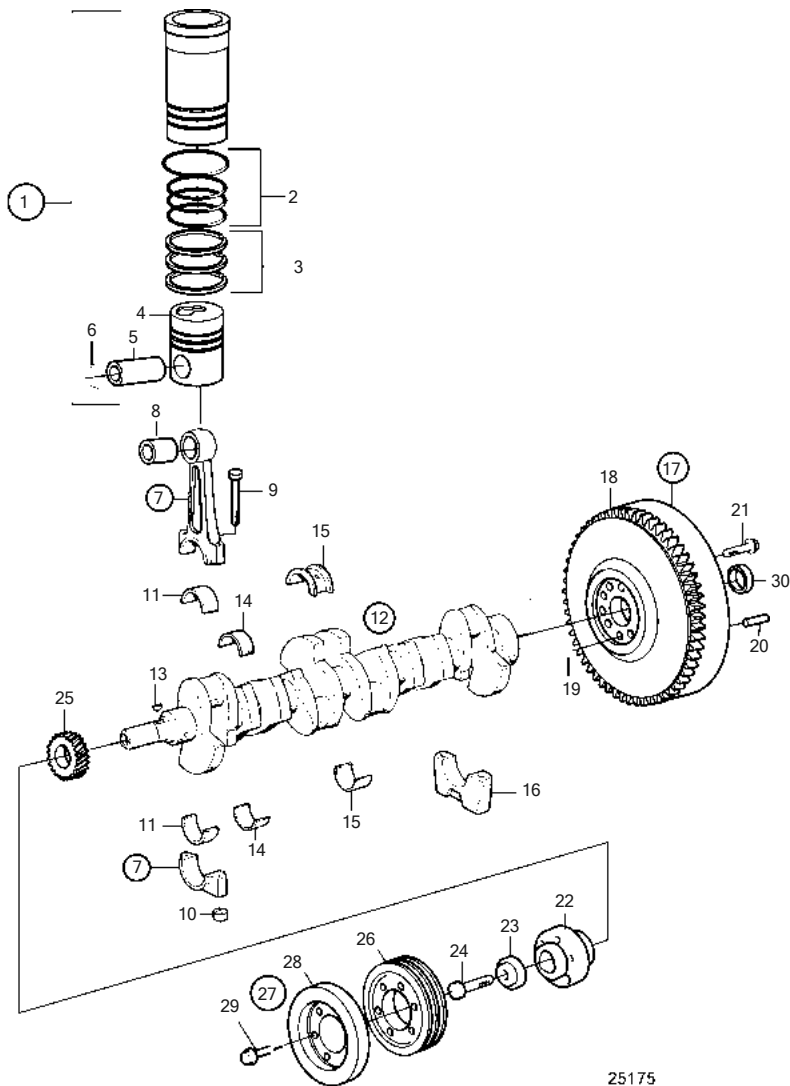


25173

AD31L-A, AD31P-A

REF	PART NO.	QTY	DESCRIPTION	NOTES
1	3817034	4	Cylinder liner kit	(3581714)
2	275751	1	• Sealing ring kit	
3	3817033	1	• Piston ring kit	
4		1	• Piston	
5	422793	1	• Piston pin	
6	914519	2	• Snap ring	
7	3581063	4	Connecting rod	
8	3581021	1	• Bushing	
9	1542077	2	• Connecting rod bolt	
10	1542078	2	• Nut	
11	876511	4	Big-end bearing kit	Std D
	876512	4	Big-end bearing kit	U.S=0,25mm
	876513	4	Big-end bearing kit	U.S=0,50mm
	876514	4	Big-end bearing kit	U.S=0,75mm
12	3582849	1	Crankshaft	
13	910118	1	• Woodruff key	
14	876515	4	Main bearing kit	Std D
	876516	4	Main bearing kit	U.S=0,25mm
	876517	4	Main bearing kit	U.S=0,50mm
	876518	4	Main bearing kit	U.S=0,75mm
15	876519	1	Thrust bearing	Std D
	876520	1	Thrust bearing	O.S=0,10mm/U.S=0,25mm
	876521	1	Thrust bearing	O.S=0,20mm/U.S=0,50mm
	876522	1	Thrust bearing	O.S=0,20mm/U.S=0,75mm
16		5	Main bearing cap	
17	3582705	1	Flywheel	
18	829462	1	• Ring gear	
19	415311	1	• Guide sleeve	
20	191873	3	• Locating pin	
21	861671	1	Repair kit	The kit includes 8 pcs screw., Shall not be used together with bolt plate 1542093.
22	872761	1	Bushing	AD31/DP
23	1542305	1	Gear	
24	1542196	1	Hub	
25	420124	1	Washer	
26	470366	1	Flange screw	
27	859614	1	Pulley	
28	877409	1	Vibration damper	
29	3583677	1	• Vibration damper	
30	983745	6	• Flange screw	

AD41L-A, AD41P-A, D41L-A

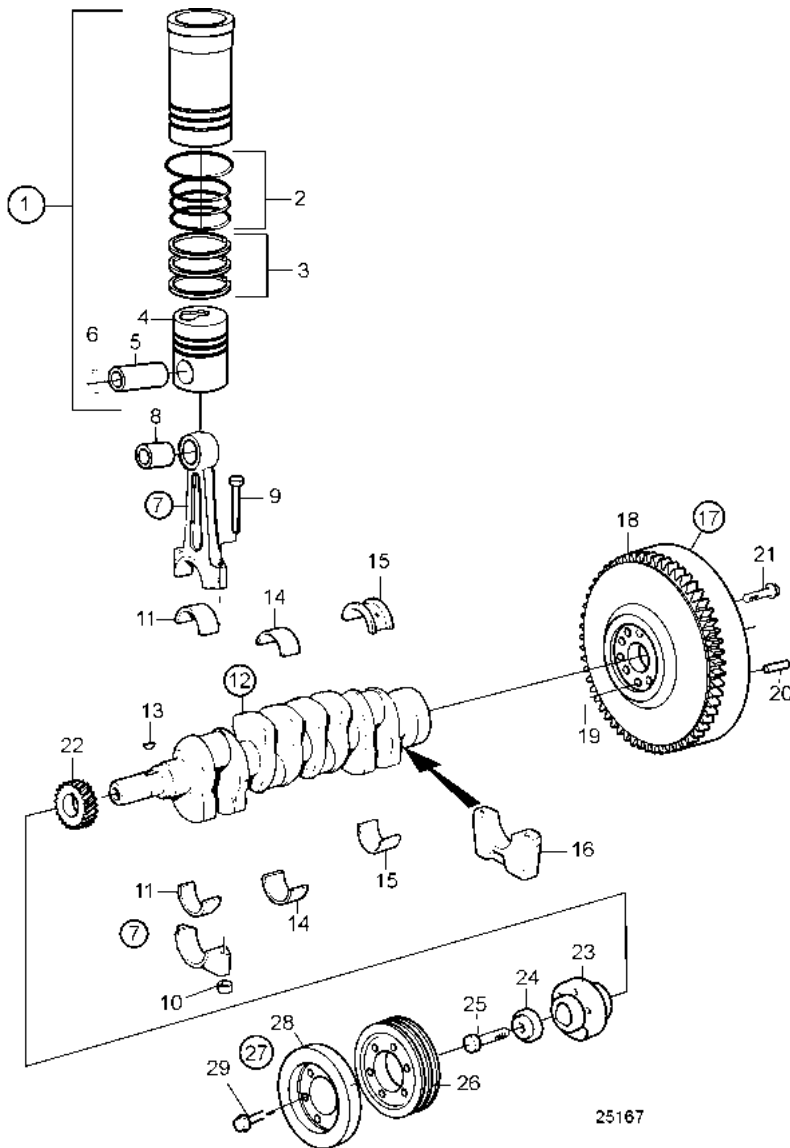


25175

AD41L-A, AD41P-A, D41L-A

REF	PART NO.	QTY	DESCRIPTION	NOTES
1	3817034	6	Cylinder liner kit	(3581714)
2	275751	1	• Sealing ring kit	
3	3817033	1	• Piston ring kit	
4		1	• Piston	
5	422793	1	• Piston pin	
6	914519	2	• Snap ring	
7	3581063	6	Connecting rod	
8	3581021	1	• Bushing	
9	1542077	2	• Connecting rod bolt	
10	1542078	2	• Nut	
11	876511	6	Big-end bearing kit	Std D
	876512	6	Big-end bearing kit	U.S=0,25mm
	876513	6	Big-end bearing kit	U.S=0,50mm
	876514	6	Big-end bearing kit	U.S=0,75mm
12	3582850	1	Crankshaft	
13	910118	1	• Woodruff key	
14	876515	6	Main bearing kit	Std D
	876516	6	Main bearing kit	U.S=0,25mm
	876517	6	Main bearing kit	U.S=0,50mm
	876518	6	Main bearing kit	U.S=0,75mm
15	876519	1	Thrust bearing	Std D
	876520	1	Thrust bearing	O.S=0,10mm/U.S=0,25mm
	876521	1	Thrust bearing	O.S=0,20mm/U.S=0,50mm
	876522	1	Thrust bearing	O.S=0,20mm/U.S=0,75mm
16		7	Main bearing cap	
17	861614	1	Flywheel	SN2204151711-2204212194
	3581169	1	Flywheel	SN2204212195-
				Repl by 3582704
	3582704	1	Flywheel	
18	829462	1	• Ring gear	
19	415311	1	• Guide sleeve	
20	191873	3	• Locating pin	
21	861671	1	Repair kit	The kit includes 8 pcs screw., Shall not be used together with bolt plate 1542093.
22	1542196	1	Hub	
23	420124	1	Washer	
24	470366	1	Flange screw	
25	1542305	1	Gear	
26	859614	1	Pulley	
27	877409	1	Vibration damper	
28	3583677	1	• Vibration damper	
29	983745	6	• Flange screw	
30	872761	1	Bushing	

TAMD31L-A, TAMD31M-A, TAMD31P-A, TAMD31S-A, TMD31L-A

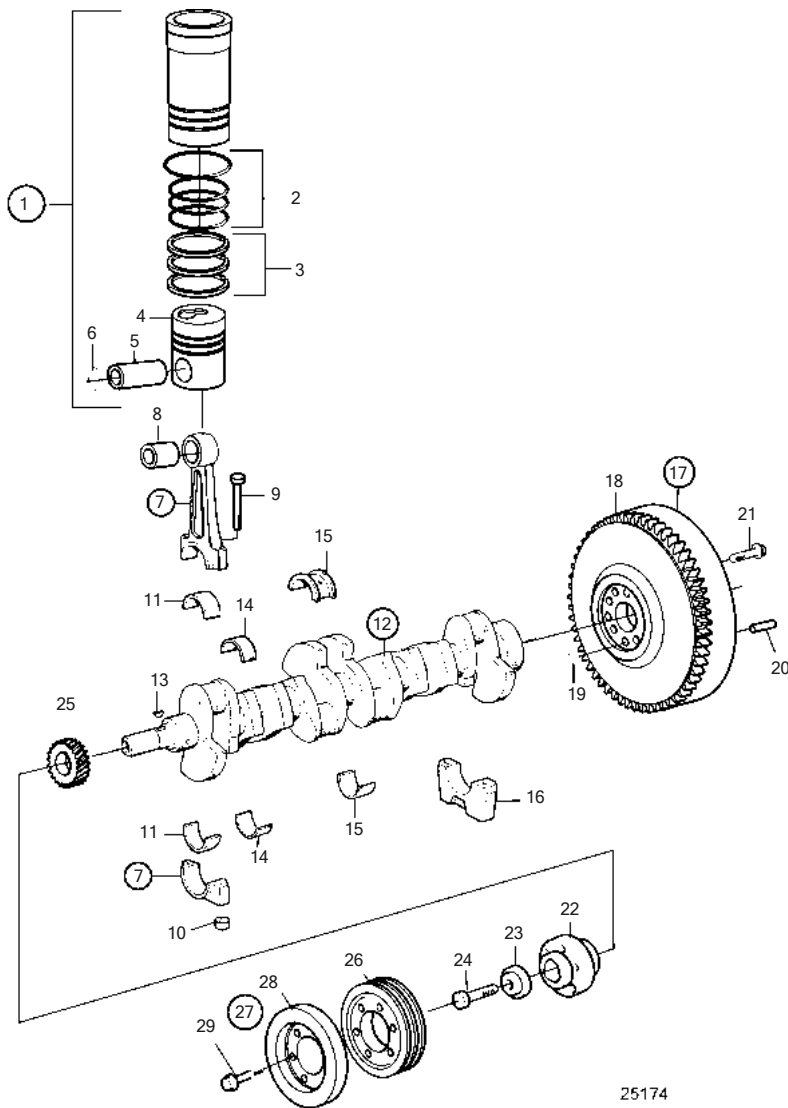


TAMD31L-A, TAMD31M-A, TAMD31P-A, TAMD31S-A, TMD31L-A

REF	PART NO.	QTY	DESCRIPTION	NOTES
1	3817034	4	Cylinder liner kit	(3581714)
2	275751	1	• Sealing ring kit	
3	3817033	1	• Piston ring kit	
4		1	• Piston	
5	422793	1	• Piston pin	
6	914519	2	• Snap ring	
7	3581063	4	Connecting rod	
8	3581021	1	• Bushing	
9	1542077	2	• Connecting rod bolt	
10	1542078	2	• Nut	
11	876511	4	Big-end bearing kit	Std D
	876512	4	Big-end bearing kit	U.S=0,25mm
	876513	4	Big-end bearing kit	U.S=0,50mm
	876514	4	Big-end bearing kit	U.S=0,75mm
12	3582849	1	Crankshaft	
13	910118	1	• Woodruff key	
14	876515	4	Main bearing kit	Std D
	876516	4	Main bearing kit	U.S=0,25mm
	876517	4	Main bearing kit	U.S=0,50mm
	876518	4	Main bearing kit	U.S=0,75mm
15	876519	1	Thrust bearing	Std D
	876520	1	Thrust bearing	O.S=0,10mm/U.S=0,25mm
	876521	1	Thrust bearing	O.S=0,20mm/U.S=0,50mm
	876522	1	Thrust bearing	O.S=0,20mm/U.S=0,75mm
16		5	Main bearing cap	
17	3582705	1	Flywheel	
18	829462	1	• Ring gear	
19	415311	1	• Guide sleeve	
20	191873	3	• Locating pin	
21	861671	1	Repair kit	The kit includes 8 pcs screw., Shall not be used together with bolt plate 1542093.
22	1542305	1	Gear	
23	1542196	1	Hub	
24	420124	1	Washer	
25	470366	1	Flange screw	
26	859614	1	Pulley	
27	877409	1	Vibration damper	
28	3583677	1	• Vibration damper	
29	983745	6	• Flange screw	



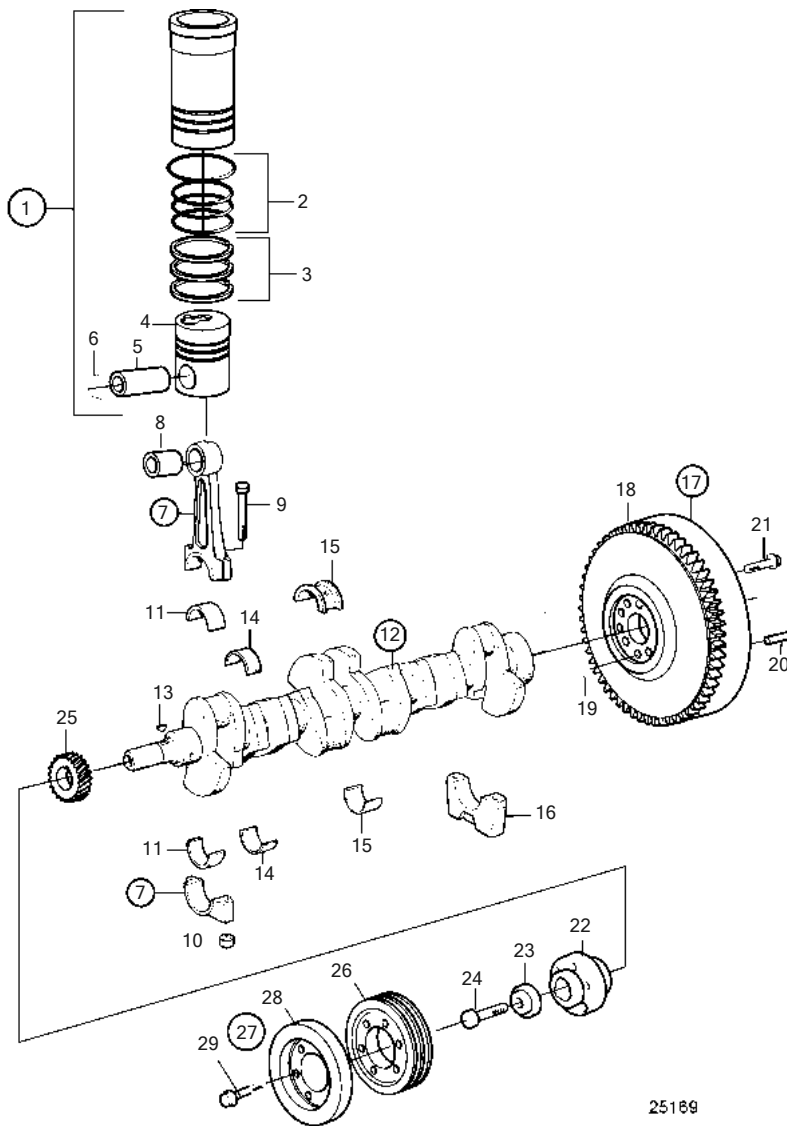
TAMD41H-A, TAMD41H-B, TAMD41P-A, TAMD41L-A, TAMD41M-A



TAMD41H-A, TAMD41H-B, TAMD41P-A, TAMD41L-A, TAMD41M-A

REF	PART NO.	QTY	DESCRIPTION	NOTES
1	3817034	6	Cylinder liner kit	(3581714)
2	275751	1	• Sealing ring kit	
3	3817033	1	• Piston ring kit	
4		1	• Piston	
5	422793	1	• Piston pin	
6	914519	2	• Snap ring	
7	3581063	6	Connecting rod	
8	3581021	1	• Bushing	
9	1542077	2	• Connecting rod bolt	
10	1542078	2	• Nut	
11	876511	6	Big-end bearing kit	Std D
	876512	6	Big-end bearing kit	U.S=0,25mm
	876513	6	Big-end bearing kit	U.S=0,50mm
	876514	6	Big-end bearing kit	U.S=0,75mm
12	3582850	1	Crankshaft	
13	910118	1	• Woodruff key	
14	876515	6	Main bearing kit	Std D
	876516	6	Main bearing kit	U.S=0,25mm
	876517	6	Main bearing kit	U.S=0,50mm
	876518	6	Main bearing kit	U.S=0,75mm
15	876519	1	Thrust bearing	Std D
	876520	1	Thrust bearing	O.S=0,10mm/U.S=0,25mm
	876521	1	Thrust bearing	O.S=0,20mm/U.S=0,50mm
	876522	1	Thrust bearing	O.S=0,20mm/U.S=0,75mm
16		7	Main bearing cap	
17	3582705	1	Flywheel	HS1A
	3582705	1	Flywheel	PRM, BW
	3582705	1	Flywheel	SOLAS
18	829462	1	• Ring gear	
19	415311	1	• Guide sleeve	
20	191873	3	• Locating pin	
21	861671	1	Repair kit	The kit includes 8 pcs screw., Shall not be used together with bolt plate 1542093.
22	1542196	1	Hub	
23	420124	1	Washer	
24	470366	1	Flange screw	
25	1542305	1	Gear	
26	859614	1	Pulley	
27	877409	1	Vibration damper	TAMD41L, TAMD41M, TAMD41H
28	3583677	1	• Vibration damper	
29	983745	6	• Flange screw	

TMD41L-A

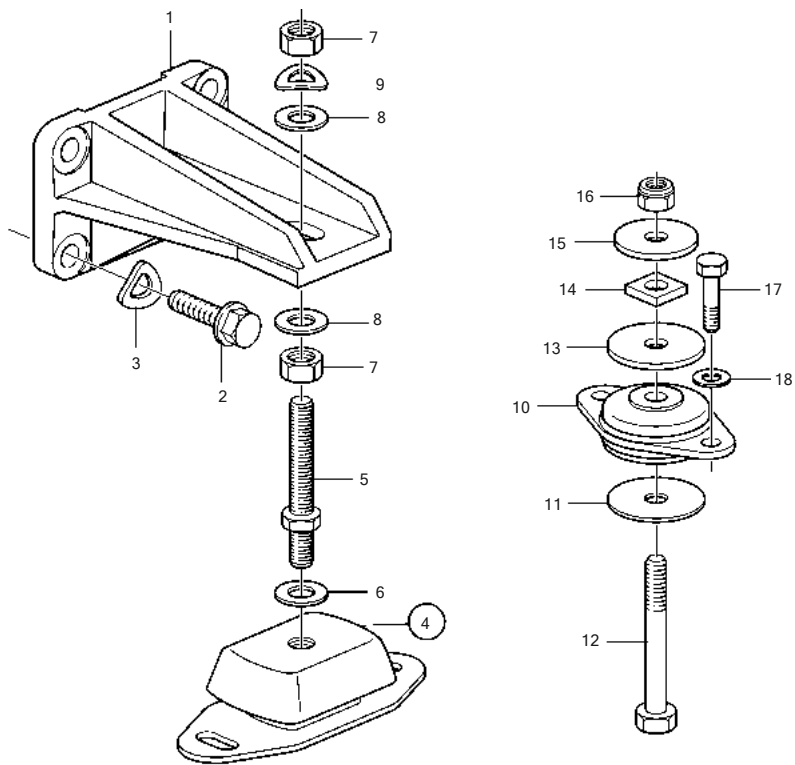


25169

TMD41L-A

REF	PART NO.	QTY	DESCRIPTION	NOTES
1	3817034	6	Cylinder liner kit	(3581714)
2	275751	1	• Sealing ring kit	
3	3817033	1	• Piston ring kit	
4		1	• Piston	
5	422793	1	• Piston pin	
6	914519	2	• Snap ring	
7	3581063	6	Connecting rod	
8	3581021	1	• Bushing	
9	1542077	2	• Connecting rod bolt	
10	1542078	2	• Nut	
11	876511	6	Big-end bearing kit	Std D
	876512	6	Big-end bearing kit	U.S=0,25mm
	876513	6	Big-end bearing kit	U.S=0,50mm
	876514	6	Big-end bearing kit	U.S=0,75mm
12	3582850	1	Crankshaft	
13	910118	1	• Woodruff key	
14	876515	6	Main bearing kit	Std D
	876516	6	Main bearing kit	U.S=0,25mm
	876517	6	Main bearing kit	U.S=0,50mm
	876518	6	Main bearing kit	U.S=0,75mm
15	876519	1	Thrust bearing	Std D
	876520	1	Thrust bearing	O.S=0,10mm/U.S=0,25mm
	876521	1	Thrust bearing	O.S=0,20mm/U.S=0,50mm
	876522	1	Thrust bearing	O.S=0,20mm/U.S=0,75mm
16		7	Main bearing cap	
17	3582705	1	Flywheel	HS1A
18	829462	1	• Ring gear	
19	415311	1	• Guide sleeve	
20	191873	3	• Locating pin	
21	861671	1	Repair kit	The kit includes 8 pcs screw., Shall not be used together with bolt plate 1542093.
22	1542196	1	Hub	
23	420124	1	Washer	
24	470366	1	Flange screw	
25	1542305	1	Gear	
26	859614	1	Pulley	
27	877409	1	Vibration damper	
28	3583677	1	• Vibration damper	
29	983745	6	• Flange screw	

AD31L-A, AD31P-A

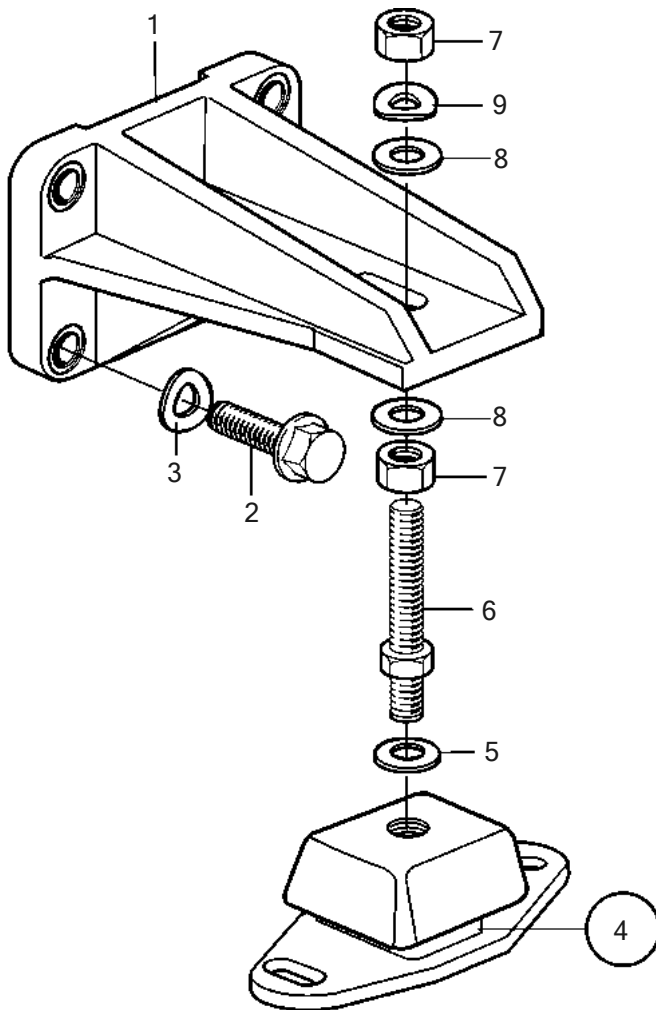


22737

AD31L-A, AD31P-A

REF	PART NO.	QTY	DESCRIPTION	NOTES
1	3580748	2	Engine bracket	Front
2	965192	6	Flange screw	L=40mm
	965193	2	Flange screw	L=50mm
3	940280	6	Spring washer	
4	856834	2	Rubber cushion	
5	860950	2	Adjusting screw	
6	955900	2	Washer	
7	955806	4	Hexagon nut	
8	955901	2	Washer	D=34mm
	978991	2	Washer	D=40mm
9	941913	2	Spring washer	
10	(861794)	2	Rubber cushion	Obsolete part
11	3852542	2	Washer	
12	3587962	2	Hexagon screw	
13	3852622	2	Washer	
14	3852539	2	Square nut	
15	3852540	2	Washer	
16	3862657	2	Nut	
17	959968	4	Hexagon screw	
18	(3852155)	4	Washer	Obsolete part

AD31L-A, AD31P-A



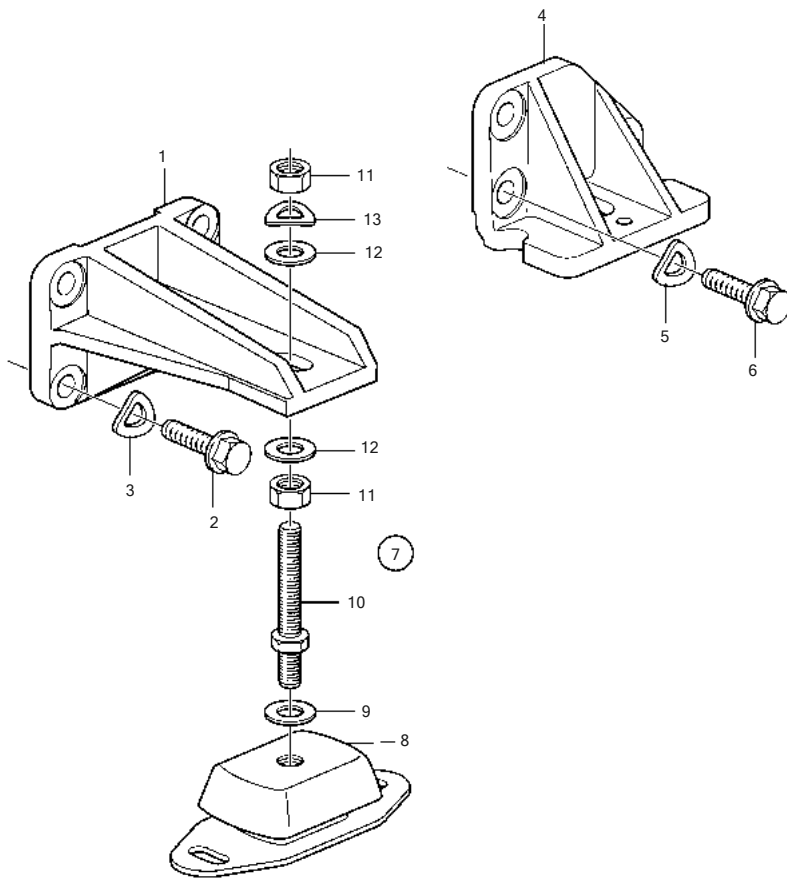
22713

AD31L-A, AD31P-A

REF	PART NO.	QTY	DESCRIPTION	NOTES
1	3580748	2	Engine bracket	
2	965192	6	Flange screw	L=40mm
	965193	2	Flange screw	L=50mm
3	940280	6	Spring washer	
4	846765	2	Rubber element	
5	955900	2	Washer	
6	860950	2	Adjusting screw	
7	955806	4	Hexagon nut	
8	955901	2	Washer	D=34mm
	978991	2	Washer	D=40mm
9	941913	2	Spring washer	



AD31L-A, AD31P-A

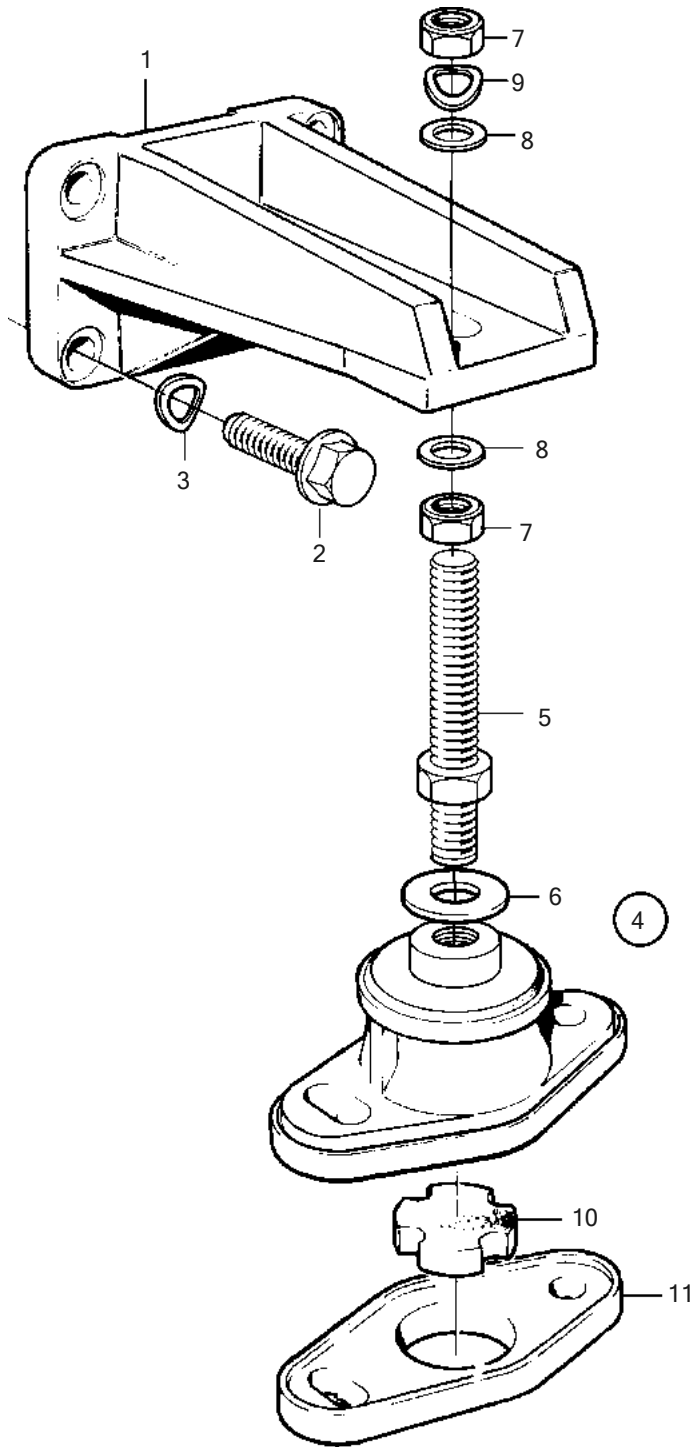


22710

AD31L-A, AD31P-A

REF	PART NO.	QTY	DESCRIPTION	NOTES
1	3580748	2	Engine bracket	Front
2	965192	6	Flange screw	L=40mm
	965193	2	Flange screw	L=50mm
3	940280	6	Spring washer	
4	860952	1	Engine bracket	P, rear
	860954	1	Engine bracket	S.B, rear
5	940280	4	Spring washer	
	955897	2	Washer	
6	965225	4	Flange screw	L=35mm
	965226	2	Flange screw	L=45mm
7	876598	4	Rubber element	Replaced by 846765, 846768 and 955900
8	846765	4	Rubber element	
9	955900	4	Washer	
10	860950	4	Adjusting screw	
11	955806	8	Hexagon nut	
12	955901	4	Washer	D=34mm
	978991	4	Washer	D=40mm
13	941913	4	Spring washer	

AD41L-A, AD41P-A, D41L-A



22736

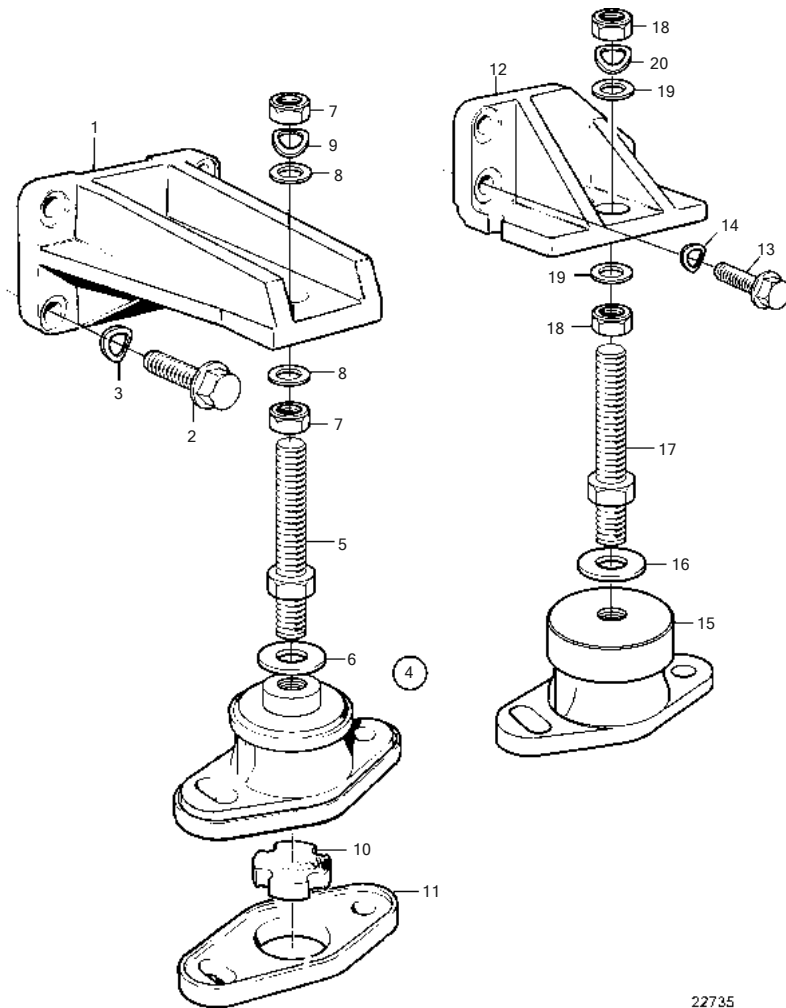
**Engine Suspension for DP-Drive**

**21**

AD41L-A, AD41P-A, D41L-A

REF	PART NO.	QTY	DESCRIPTION	NOTES
1	3580748	2	Engine bracket	
2	965192	8	Flange screw	L=40mm
3	940280	8	Spring washer	
4	843323	2	Rubber element	
5	860950	2	Adjusting screw	
6	843298	2	Washer	
7	955806	4	Hexagon nut	
8	955901	2	Washer	D=34mm
	978991	2	Washer	D=40mm
9	941913	2	Spring washer	
10	843299	2	Rubber disc	
11	843286	2	Pad	

AD41L-A, AD41P-A, D41L-A

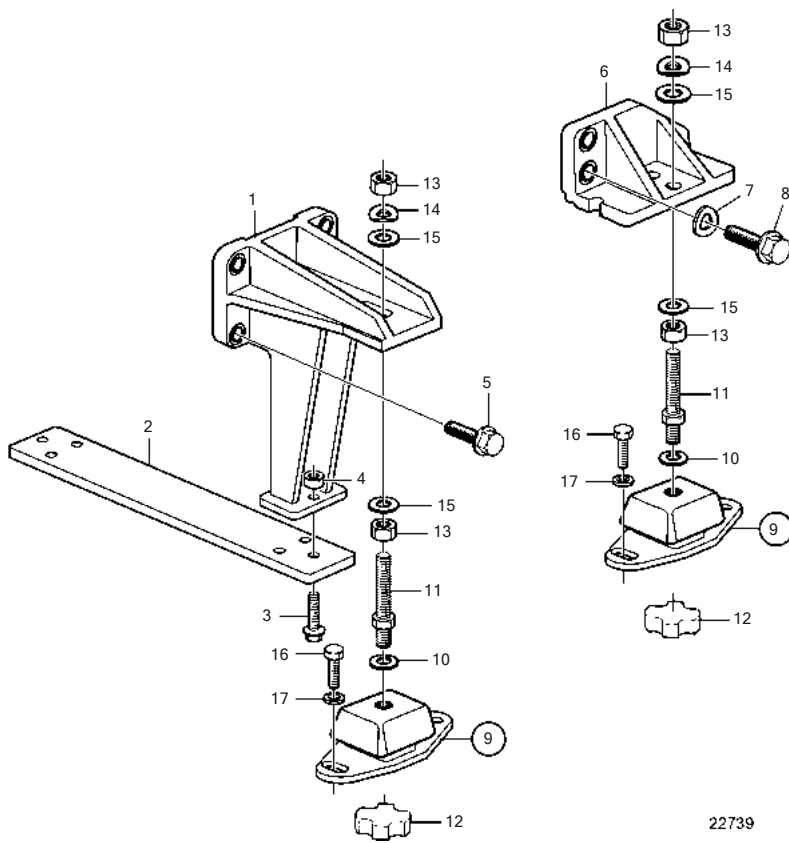


22735

AD41L-A, AD41P-A, D41L-A

REF	PART NO.	QTY	DESCRIPTION	NOTES
1	3580748	2	Engine bracket	
2	965192	8	Flange screw	L=40mm
3	940280	8	Spring washer	
4	843323	2	Rubber element	
5	860950	2	Adjusting screw	
6	843298	2	Washer	
7	955806	4	Hexagon nut	
8	955901	2	Washer	D=34mm
	978991	2	Washer	D=40mm
9	941913	2	Spring washer	
10	843299	2	Rubber disc	
11	843286	2	Pad	
12	860952	1	Engine bracket	P
	860954	1	Engine bracket	S.B
13	965225	6	Flange screw	D41
	965225	4	Flange screw	AD41
	965226	2	Flange screw	AD41
14	940280	6	Spring washer	D41
	940280	4	Spring washer	AD41
	955897	2	Washer	AD41
15	876597	2	Rubber element	
16	955900	2	Washer	
17	860950	2	Adjusting screw	
18	955806	4	Hexagon nut	
19	955901	2	Washer	D=34mm
	978991	2	Washer	D=40mm
20	941913	2	Spring washer	

TAMD31L-A, TAMD31M-A, TAMD41P-A

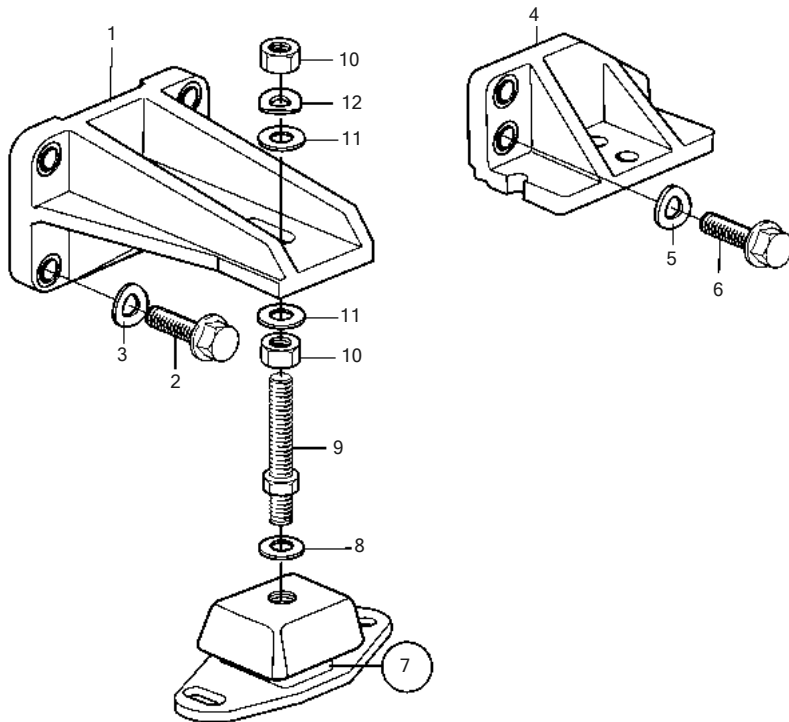


TAMD31L-A, TAMD31M-A, TAMD41P-A

REF	PART NO.	QTY	DESCRIPTION	NOTES
1	861121	2	Engine bracket	
2	858159	1	Bracket	
3	965191	6	Flange screw	L=30mm
4	971096	6	Flange nut	
5	965191	8	Flange screw	
6	860952	2	Engine bracket	
7	965225	4	Flange screw	L=35mm
	965226	2	Flange screw	L=45mm
8	940280	4	Spring washer	
9	858161	4	Rubber element	
10	955900	4	Washer	
11	860950	4	Adjusting screw	
12	843299	4	Rubber disc	
13	955806	8	Hexagon nut	
14	941913	4	Spring washer	
15	955901	4	Washer	D=34mm
	978991	4	Washer	D=40mm
16		8	Screw	
17		8	Washer	



TAMD41H-A, TAMD41H-B, TAMD41P-A, TAMD41L-A, TAMD41M-A,  
TMD41L-A

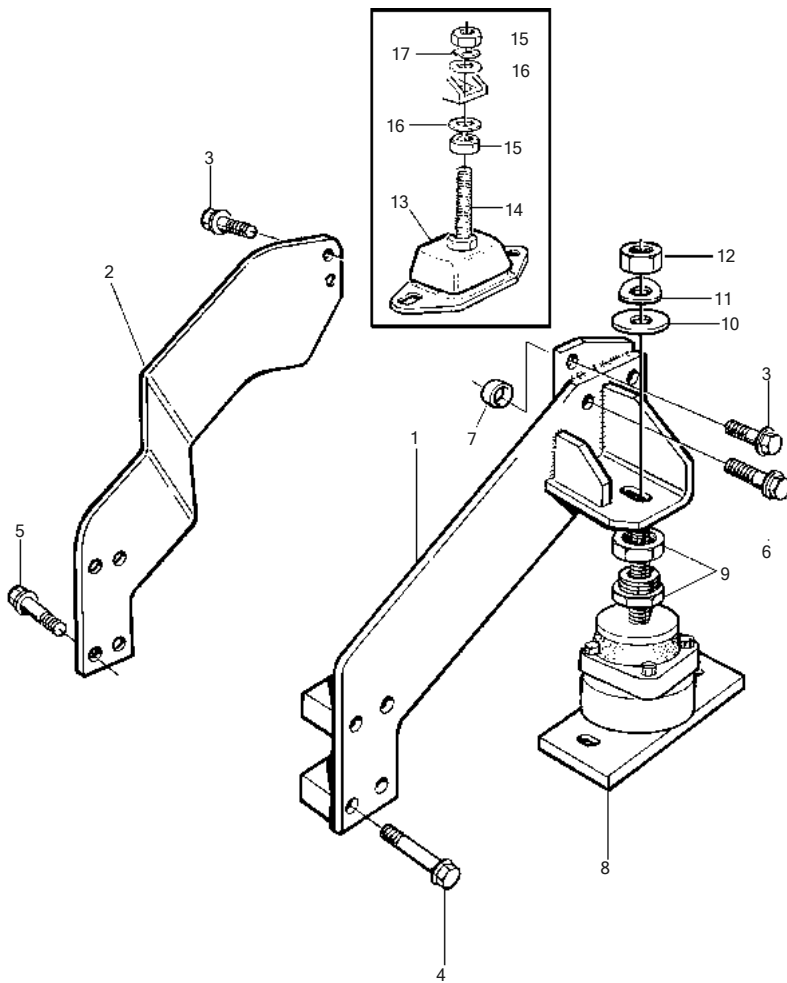


22709

TAMD41H-A, TAMD41H-B, TAMD41P-A, TAMD41L-A, TAMD41M-A, TMD41L-A

REF	PART NO.	QTY	DESCRIPTION	NOTES
1	3580748	2	Engine bracket	Front
2	965192	8	Flange screw	
3	940280	8	Spring washer	
4	860952	1	Engine bracket	P, rear
	860954	1	Engine bracket	S.B, rear
5	940280	6	Spring washer	
6	965225	6	Flange screw	
7	858161	4	Rubber element	
8	955900	4	Washer	
9	860950	4	Adjusting screw	
10	955806	8	Hexagon nut	
11	955901	4	Washer	D=34mm
	978991	4	Washer	D=40mm
12	941913	4	Spring washer	

TAMD41H-A, TAMD41H-B, TAMD41P-A, TAMD41L-A, TAMD41M-A,  
TMD41L-A

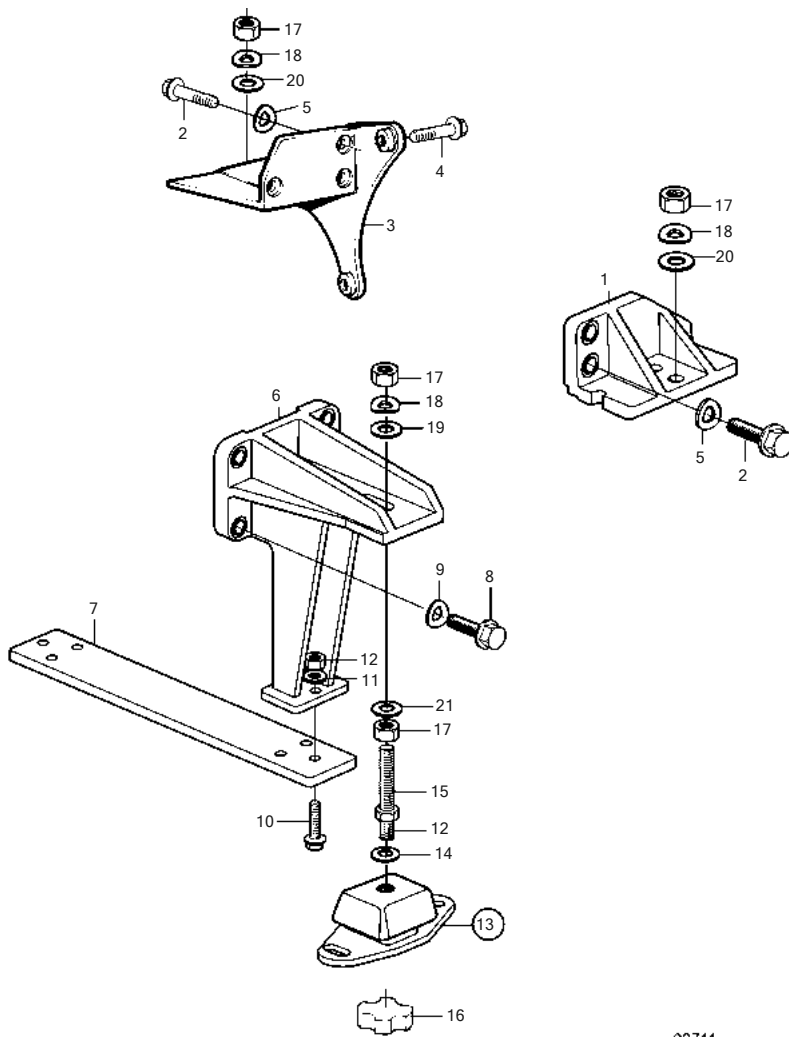


17224

TAMD41H-A, TAMD41H-B, TAMD41P-A, TAMD41L-A, TAMD41M-A, TMD41L-A

REF	PART NO.	QTY	DESCRIPTION	NOTES
1	3581381	1	Bracket	S.B
2	3581382	1	Bracket	P
3	965191	4	Flange screw	
4	965194	4	Flange screw	
5	965191	4	Flange screw	
6	965192	2	Flange screw	
7	843122	3	Spacer sleeve	
8	3581614	2	Rubber cushion	
9	3826709	2	Adjusting sleeve	
10	955900	2	Washer	
11	941912	2	Spring washer	
12	955805	2	Hexagon nut	
13	858161	2	Rubber element	
14	860950	2	Adjusting screw	
15	955806	4	Hexagon nut	
16	955901	2	Washer	D=34mm
	978991	4	Washer	D=40mm
17	941913	2	Spring washer	

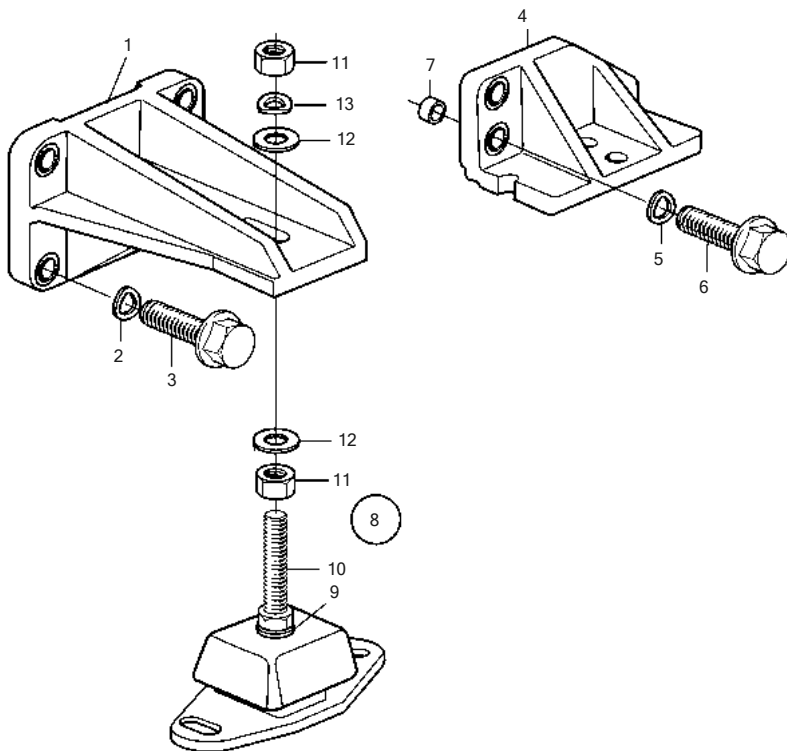
TAMD41L-A



22711

TAMD41L-A

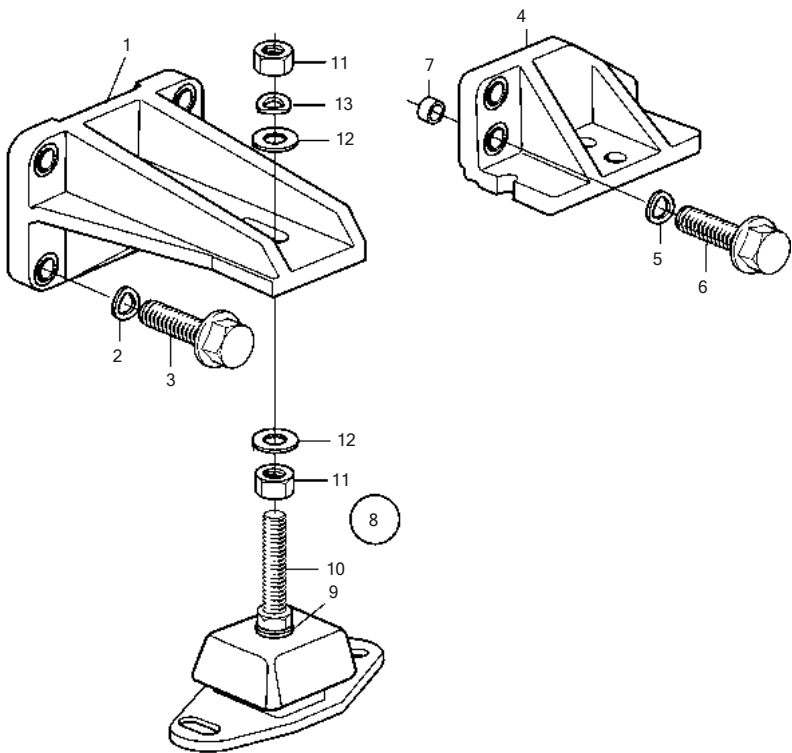
REF	PART NO.	QTY	DESCRIPTION	NOTES
1	860952	1	Engine bracket	Rear
2	965225	4	Flange screw	L=35mm (966343)
	965226	2	Flange screw	L=45mm
3	861122	1	Engine bracket	Rear
4	965186	3	Flange screw	
5	940280	4	Spring washer	D=20,5mm
	955897	2	Washer	D=24mm
6	861121	2	Engine bracket	
7	858159	1	Bracket	
8	965191	8	Flange screw	L=30mm
9	940280	8	Spring washer	
10	965191	6	Flange screw	
11	940280	6	Spring washer	
12	971096	6	Flange nut	
13	876597	4	Rubber element	
14	955900	4	Washer	
15	860950	4	Adjusting screw	
16	843299	4	Rubber disc	
17	955806	8	Hexagon nut	
18	941913	4	Spring washer	
19	978991	2	Washer	D=40mm
20	955901	2	Washer	D=34mm
21	978991	4	Washer	D=40mm



19246

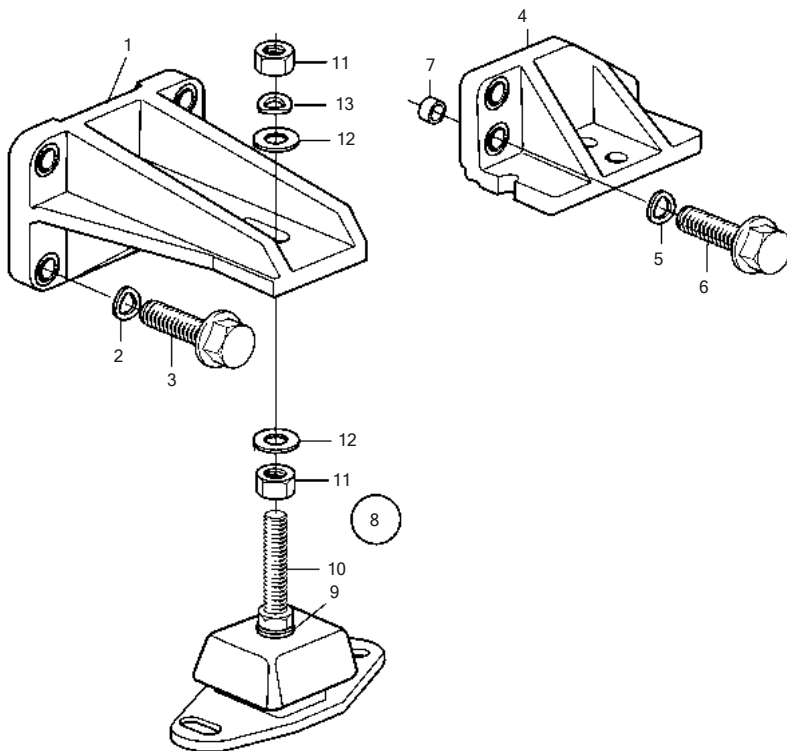
REF	PART NO.	QTY	DESCRIPTION	NOTES
1	3580748	2	Engine bracket	Front
2	940280	6	Spring washer	
3	965192	6	Flange screw	L=40mm
	965193	2	Flange screw	L=50mm
4	860952	1	Engine bracket	P, rear
	860954	1	Engine bracket	S.B, rear
5	940280	6	Spring washer	
6	965225	6	Flange screw	
7	843122	3	Spacer sleeve	
8	846765	4	Rubber element	
9	955900	4	Washer	
10	860950	4	Adjusting screw	
11	955806	8	Hexagon nut	
12	955901	4	Washer	D=34mm
	978991	4	Washer	D=40mm
13	941913	4	Spring washer	





19246

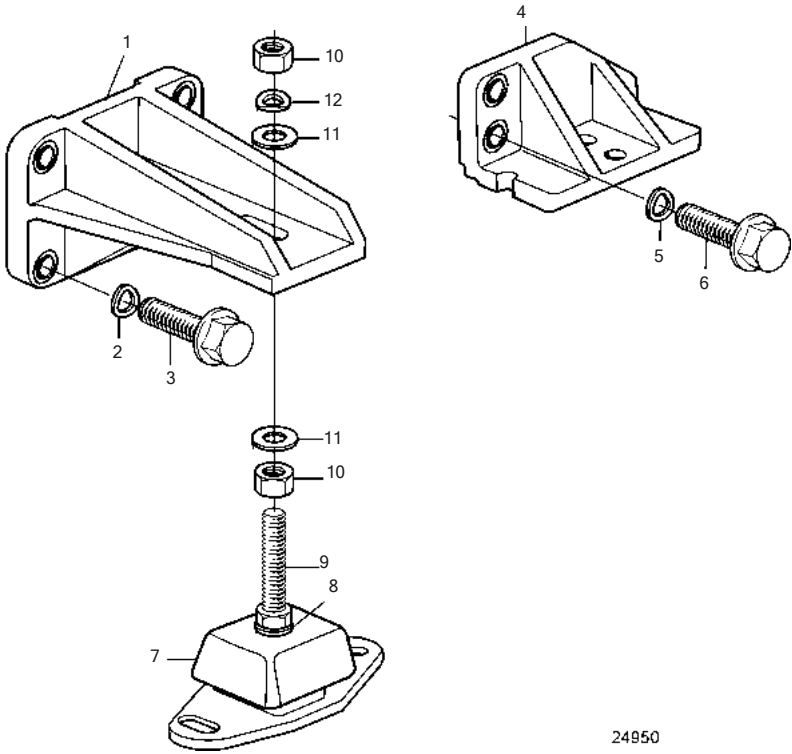
REF	PART NO.	QTY	DESCRIPTION	NOTES
1	3580748	2	Engine bracket	Front
2	940280	6	Spring washer	
3	965192	6	Flange screw	L=40mm
	965193	2	Flange screw	L=50mm
4	860952	1	Engine bracket	P, rear
	860954	1	Engine bracket	S.B, rear
5	940280	6	Spring washer	
6	965225	6	Flange screw	
8	856834	4	Rubber cushion	
9	955900	4	Washer	
10	860950	4	Adjusting screw	
11	955806	8	Hexagon nut	
12	955901	4	Washer	D=34mm
	978991	4	Washer	D=40mm
13	941913	4	Spring washer	



19246

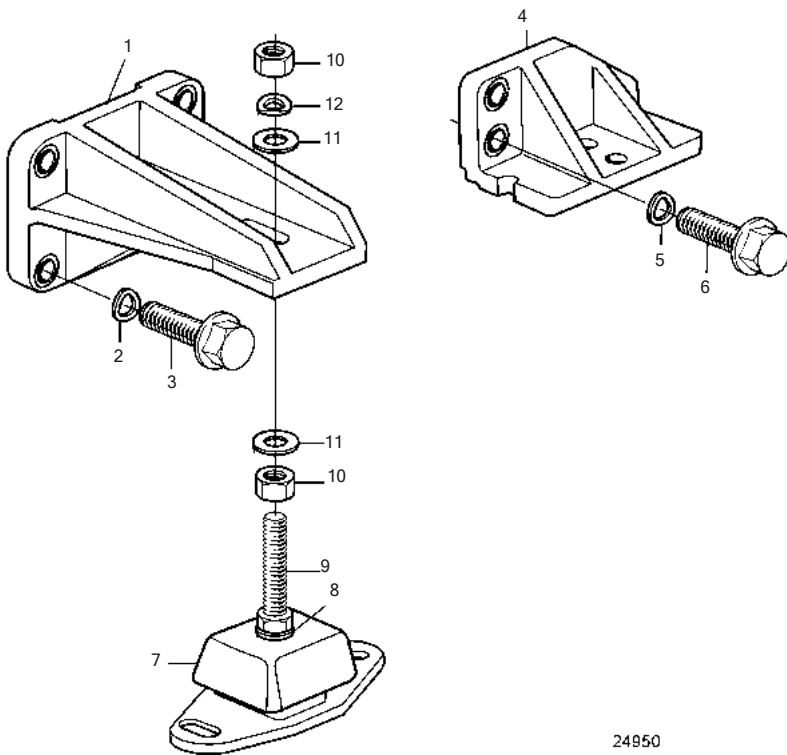
REF	PART NO.	QTY	DESCRIPTION	NOTES
1	3580748	2	Engine bracket	Front
2	940280	6	Spring washer	
3	965192	6	Flange screw	L=40mm
	965193	2	Flange screw	L=50mm
4	860952	1	Engine bracket	P, rear
	860954	1	Engine bracket	S.B, rear
5	940280	6	Spring washer	
6	965225	6	Flange screw	
8	856834	4	Rubber cushion	
9	955900	4	Washer	
10	860950	4	Adjusting screw	
11	955806	8	Hexagon nut	
12	955901	4	Washer	D=34mm
	978991	4	Washer	D=40mm
13	941913	4	Spring washer	

21	Engine Mounting: A



24950

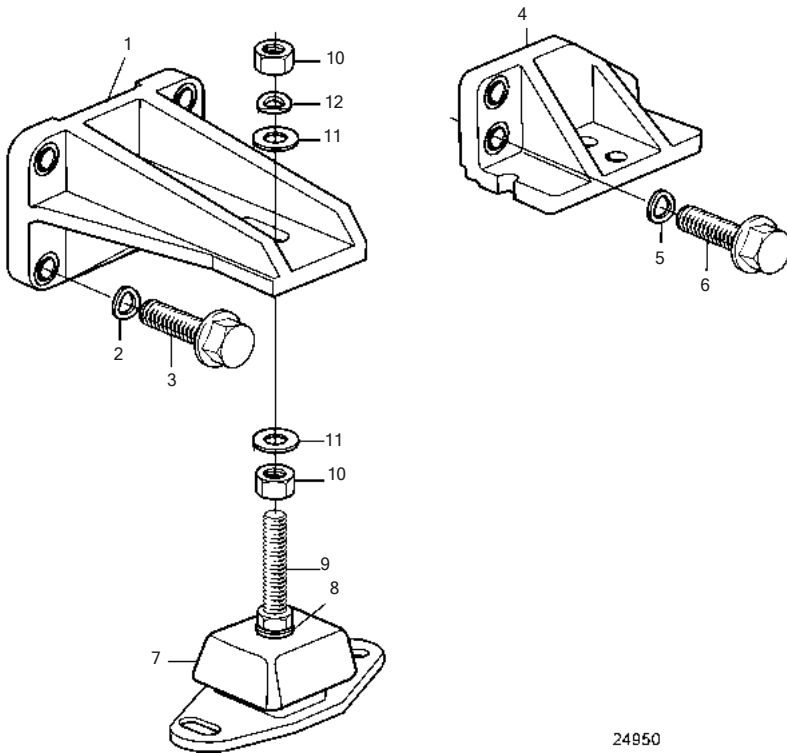
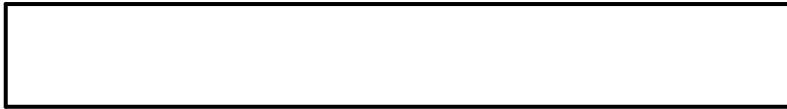
REF	PART NO.	QTY	DESCRIPTION	NOTES
1	3580748	2	Engine bracket	Front
2	965192	8	Flange screw	L=40mm
3	940280	8	Spring washer	
4	860952	1	Engine bracket	P, rear
	860954	1	Engine bracket	S.B, rear
5	940280	6	Spring washer	
6	965225	6	Flange screw	L=35mm
7	876597	4	Rubber element	
8	955900	4	Washer	
9	860950	4	Adjusting screw	
10	955806	8	Hexagon nut	
11	955901	4	Washer	D=34mm
	978991	4	Washer	D=40mm
12	941913	4	Spring washer	



24950

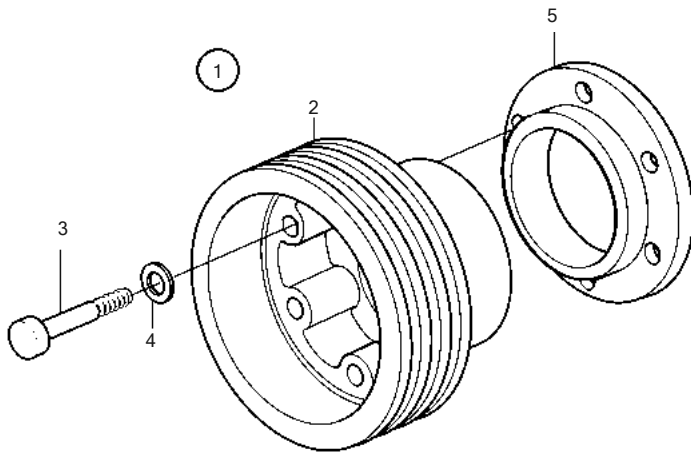
REF	PART NO.	QTY	DESCRIPTION	NOTES
1	3580748	2	Engine bracket	Front
2	965192	8	Flange screw	L=40mm
3	940280	8	Spring washer	
4	860952	1	Engine bracket	P, rear
	860954	1	Engine bracket	S.B, rear
5	940280	6	Spring washer	
6	965225	6	Flange screw	L=35mm
7	856834	4	Rubber cushion	Alt, 55 shore
8	955900	4	Washer	
9	860950	4	Adjusting screw	
10	955806	8	Hexagon nut	
11	955901	4	Washer	D=34mm
	978991	4	Washer	D=40mm
12	941913	4	Spring washer	





REF	PART NO.	QTY	DESCRIPTION	NOTES
1	3580748	2	Engine bracket	Front
2	965192	8	Flange screw	L=40mm
3	940280	8	Spring washer	
4	860952	1	Engine bracket	P, rear
	860954	1	Engine bracket	S.B, rear
5	940280	6	Spring washer	
6	965225	6	Flange screw	L=35mm
7	856834	4	Rubber cushion	
8	955900	4	Washer	
9	860950	4	Adjusting screw	
10	955806	8	Hexagon nut	
11	955901	4	Washer	D=34mm
	978991	4	Washer	D=40mm
12	941913	4	Spring washer	

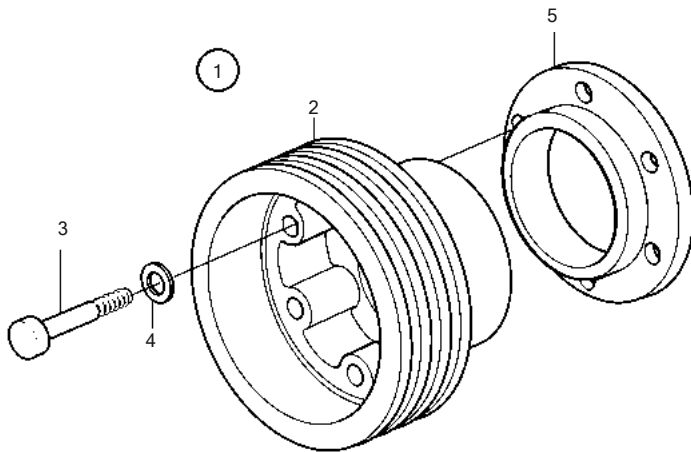
AD31L-A, AD31P-A, AD41L-A, AD41P-A, D41L-A, TAM31L-A, TAM31M-A,  
TAM31P-A, TAM31S-A, TAM41H-A, TAM41H-B, TAM41P-A,  
TAM41L-A, TAM41M-A, TMD31L-A, TMD41L-A



18182



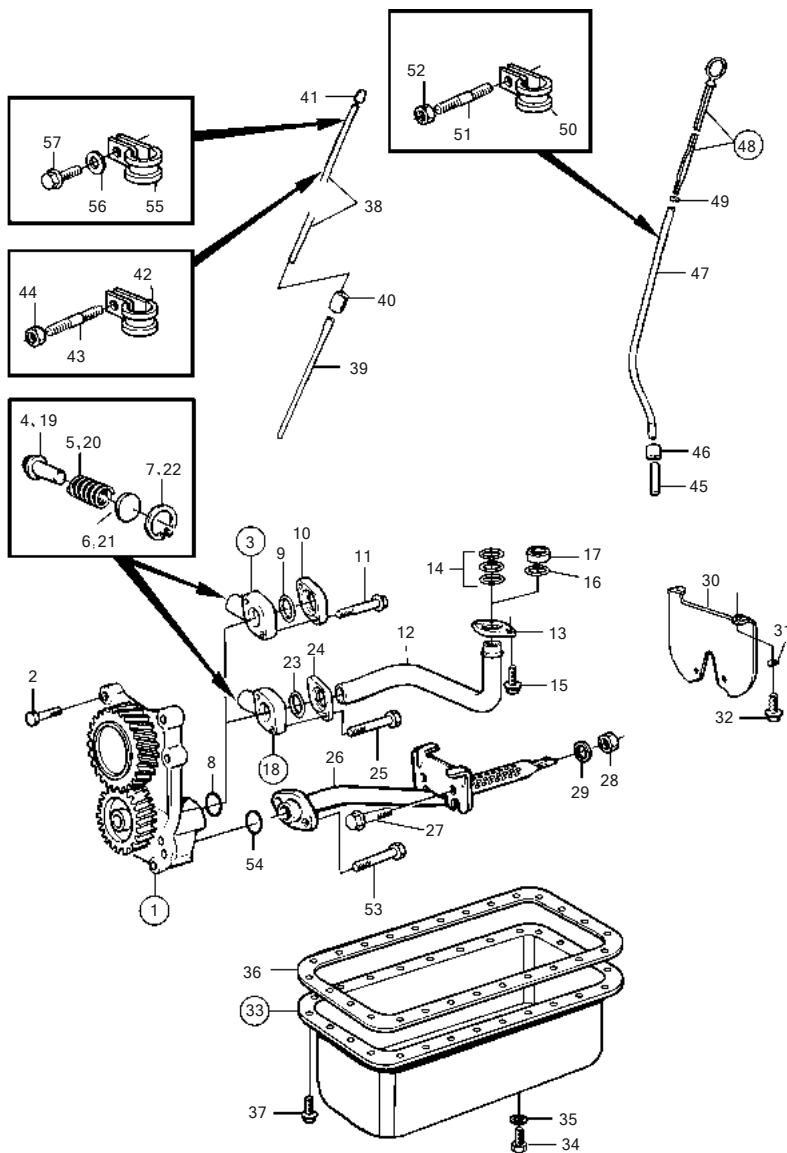
AD31L-A, AD31P-A, AD41L-A, AD41P-A, D41L-A, TAM31L-A, TAM31M-A,  
TAM31P-A, TAM31S-A, TAM41H-A, TAM41H-B, TAM41P-A,  
TAM41L-A, TAM41M-A, TMD31L-A, TMD41L-A



18182



AD31L-A, AD31P-A



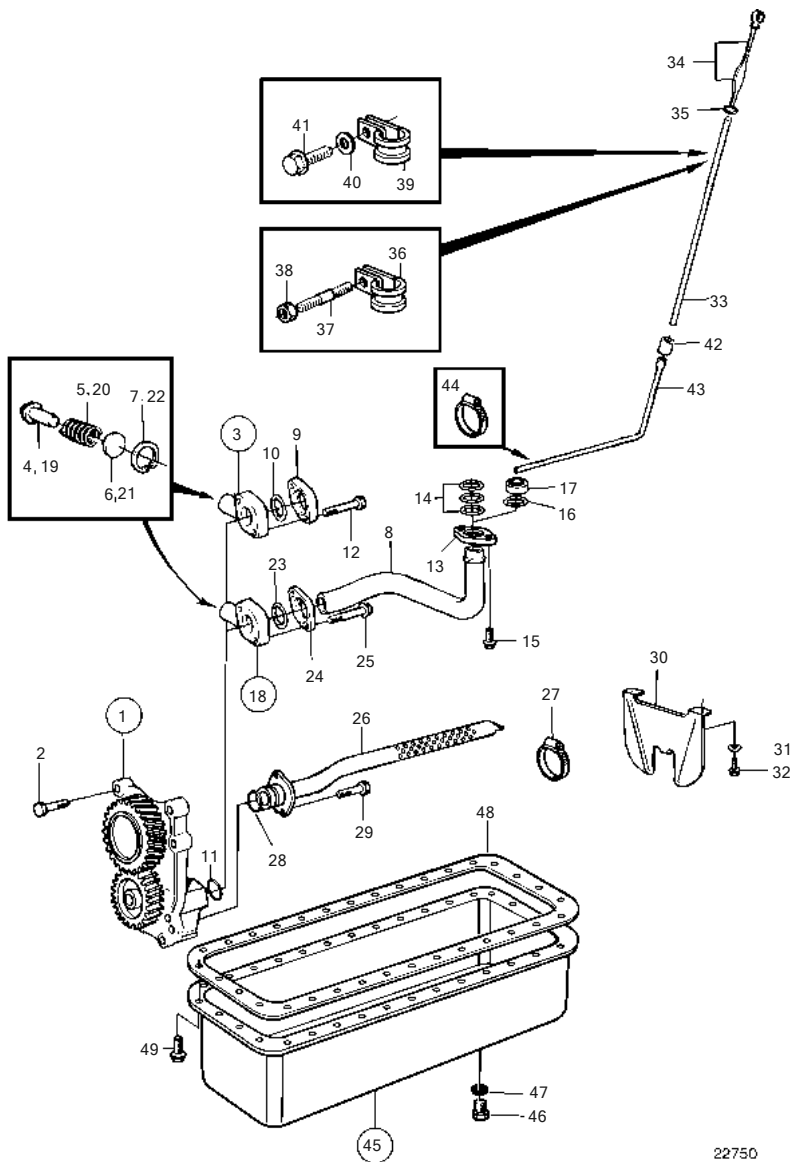
22/46

## AD31L-A, AD31P-A

REF	PART NO.	QTY	DESCRIPTION	SEE SEC.	NOTES
1	860721	1	Oil pump		
			•	528	
2	948217	4	Flange screw		
3		1	Reducing valve		Repl by 3581308
4	471115	1	• Reduction valve		
5	1542257	1	• Spring		
6	948343	1	• Disc		
7	914506	1	• Snap ring		
8	469482	1	Sealing ring		
9	1545271	1	Sealing ring		Early type
10		1	Flange		TH=15mm, Repl by 3581206
11	965183	2	Flange screw		L=90mm
12	860821	1	Delivery pipe		
13	1542248	1	Flange		
14		3	Sealing ring		Early type
15	946173	2	Flange screw		
16	976039	1	O-ring		Late type, Obsolete part
17	471956	1	Gasket		Late type
18	3581308	1	Reducing valve		
			• Bulletin 44-32	44-32-EN	Reduction Valve D31, 41, 42
			• Bulletin 44-32A	44-32A-EN	Reduction Valve D31, 41, 42
19	471115	1	• Reduction valve		
20	1542257	1	• Spring		
21	948343	1	• Disc		
22	914506	1	• Snap ring		
23	976039	1	O-ring		Obsolete part
24	3581206	1	Flange		TH=8mm
25	965184	2	Flange screw		L=100mm
26	861321	1	Suction pipe		
27	946173	2	Flange screw		
28	948645	2	Flange lock nut		
29	976944	2	Washer		
30	859587	1	Baffle plate		
31	942385	2	Disc spring		
32	946440	2	Flange screw		
33	3583865	1	Sump		(861152)
34	948187	1	Plug		Early type
35	18818	1	Gasket		Early type
36	861250	1	Gasket		
37	946440	26	Flange screw		
38	861099	1	Tube		
39	846007	1	Tube		
40	843533	1	Rubber hose		
41	943585	1	Plug		
42	949746	1	Clamp		
43		1	Stud		See group 25
44		1	Nut		See group 25
45	843692	1	Tube		
46	843533	1	Rubber hose		
47	861099	1	Tube		
48	861087	1	Dipstick		
49	960155	1	• O-ring		
50	949746	1	Clamp		
51	984130	1	Stud		
52	945408	1	Flange nut		
53	965217	2	Flange screw		
54	469483	1	Sealing ring		
55	949746	1	Clamp		
56	955893	1	Washer		
57	948746	1	Flange screw		(968855)



AD41L-A, AD41P-A, D41L-A, TAMD41H-A, TAMD41H-B, TAMD41P-A, TAMD41L-A, TAMD41M-A, TMD41L-A

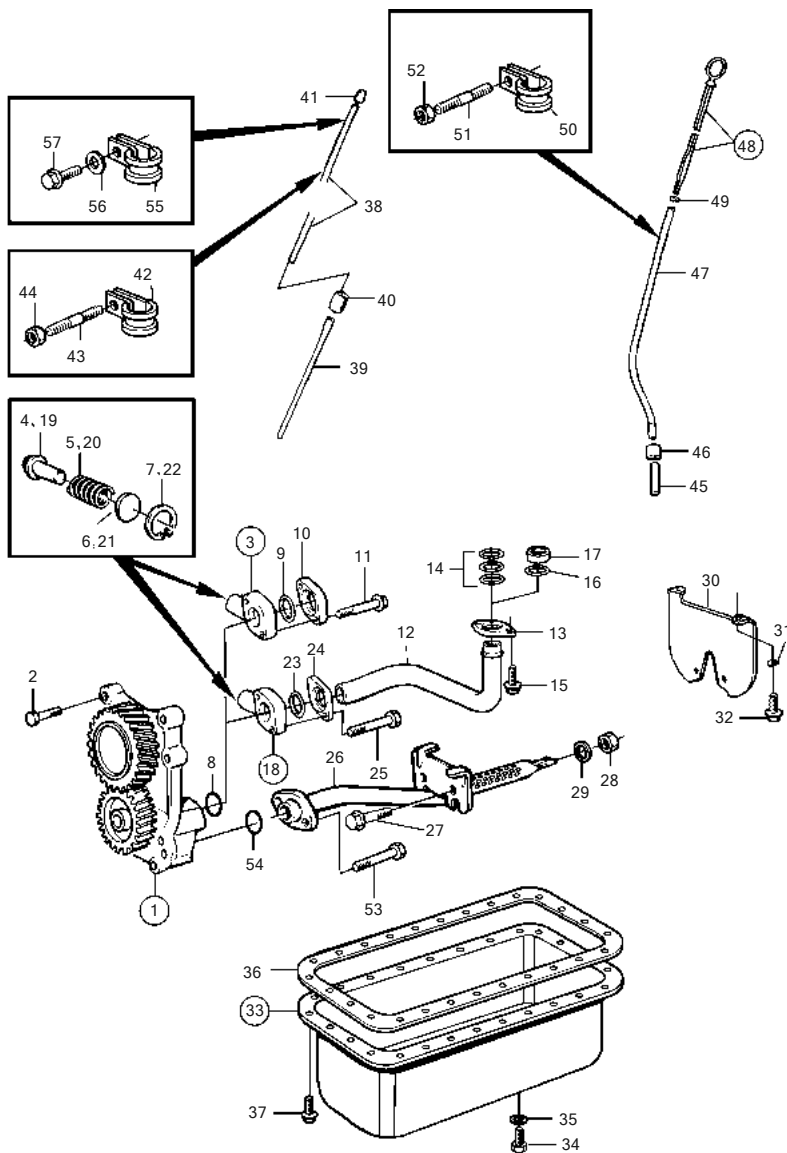


22750

AD41L-A, AD41P-A, D41L-A, TAMD41H-A, TAMD41H-B, TAMD41P-A, TAMD41L-A,  
TAMD41M-A, TMD41L-A

REF	PART NO.	QTY	DESCRIPTION	SEE SEC.	NOTES
1	860721	1	Oil pump		
			.	528	
2	948217	4	Flange screw		
3		1	Reducing valve		Repl by 3581308
4	471115	1	• Reduction valve		
5	1542257	1	• Spring		
6	948343	1	• Disc		
7	914506	1	• Snap ring		
8	860821	1	Delivery pipe		
9		1	Flange		TH=15mm, Repl by 3581206
10	1545271	1	Sealing ring		
11	469482	1	Sealing ring		
12	965184	2	Flange screw		L=100mm
13	1542248	1	Flange		
14		3	Sealing ring		Earlier production with 3 gaskets have been replaced by 1 ea gasket 980936 plus 1 ea gasket 471956., Early type
15	946173	2	Flange screw		
16	976039	1	O-ring		Late type, Obsolete part
17	471956	1	Gasket		Late type
18	3581308	1	Reducing valve		
			• Bulletin 44-32	44-32-EN	Reduction Valve D31, 41, 42
			• Bulletin 44-32A	44-32A-EN	Reduction Valve D31, 41, 42
19	471115	1	• Reduction valve		
20	1542257	1	• Spring		
21	948343	1	• Disc		
22	914506	1	• Snap ring		
23	976039	1	O-ring		Obsolete part
24	3581206	1	Flange		TH=8mm
25	965183	1	Flange screw		L=90mm
26	861064	1	Suction pipe		
27	943472	1	Hose clamp		
28	469483	1	Sealing ring		
29	965217	2	Flange screw		
30	860999	1	Baffle plate		
31	942385	2	Disc spring		
32	946440	2	Flange screw		
33	861100	1	Tube		
34	861087	1	Dipstick		
35	960155	1	O-ring		
36	949746	1	Clamp		Early type
37	984130	1	Stud		Early type
38	945408	1	Flange nut		Early type
39	949746	1	Clamp		Late type
40	955893	1	Washer		Late type
41	948746	1	Flange screw		Late type
42	843533	1	Rubber hose		
43	861083	1	Suction pipe		
44	994555	1	Hose clamp		
45	861151	1	Sump		
46	18818	1	Gasket		Early type
47	948187	1	Plug		Early type
48	861251	1	Gasket		
49	946440	32	Flange screw		

TAMD31L-A, TAMD31M-A, TAMD31P-A, TAMD31S-A

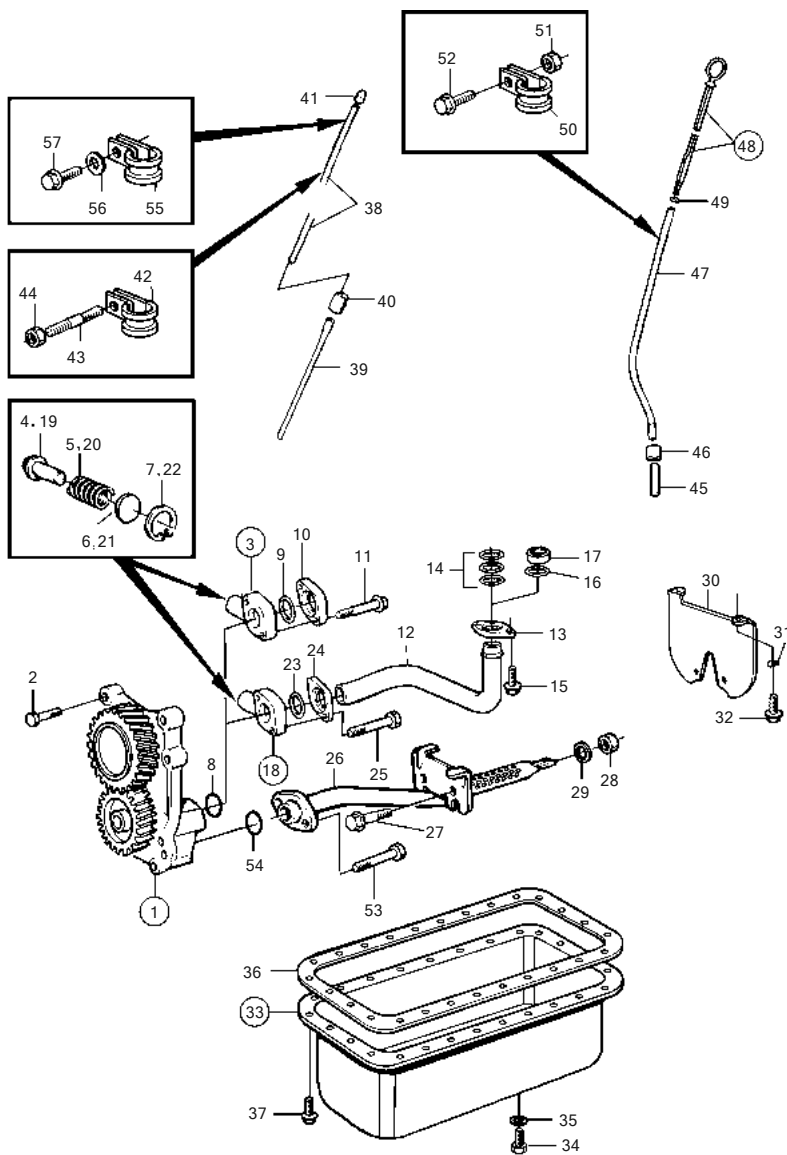


22/46

TAMD31L-A, TAMD31M-A, TAMD31P-A, TAMD31S-A

REF	PART NO.	QTY	DESCRIPTION	SEE SEC.	NOTES
1	860721	1	Oil pump		
			•	528	
2	948217	4	Flange screw		
3		1	Reducing valve		Repl by 3581308
4	471115	1	• Reduction valve		
5	1542257	1	• Spring		
6	948343	1	• Disc		
7	914506	1	• Snap ring		
8	469482	1	Sealing ring		
9	1545271	1	Sealing ring		Early type
10		1	Flange		TH=15mm, Repl by 3581206
11	965183	2	Flange screw		L=90mm
12	860821	1	Delivery pipe		
13	1542248	1	Flange		
14		3	Sealing ring		Early type
15	946173	2	Flange screw		
16	976039	1	O-ring		Late type, Obsolete part
17	471956	1	Gasket		Late type
18	3581308	1	Reducing valve		
			• Bulletin 44-32	44-32-EN	Reduction Valve D31, 41, 42
			• Bulletin 44-32A	44-32A-EN	Reduction Valve D31, 41, 42
19	471115	1	• Reduction valve		
20	1542257	1	• Spring		
21	948343	1	• Disc		
22	914506	1	• Snap ring		
23	976039	1	O-ring		Obsolete part
24	3581206	1	Flange		TH=8mm
25	965184	2	Flange screw		L=100mm
26	861321	1	Suction pipe		
27	946173	2	Flange screw		
28	948645	2	Flange lock nut		
29	976944	2	Washer		
30	859587	1	Baffle plate		
31	942385	2	Disc spring		
32	946440	2	Flange screw		
33	3583865	1	Sump		(861152)
34	948187	1	Plug		Early type
35	18818	1	Gasket		Early type
36	861250	1	Gasket		
37	946440	26	Flange screw		
38	861099	1	Tube		
39	846007	1	Tube		
40	843533	1	Rubber hose		
41	943585	1	Plug		
42	949746	1	Clamp		
43		1	Stud		See group 25
44		1	Nut		See group 25
45	843692	1	Tube		
46	843533	1	Rubber hose		
47	861099	1	Tube		
48	861087	1	Dipstick		
49	960155	1	• O-ring		
50	949746	1	Clamp		
51	984130	1	Stud		
52	945408	1	Flange nut		
53	965217	2	Flange screw		
54	469483	1	Sealing ring		
55	949746	1	Clamp		
56	955893	1	Washer		
57	948746	1	Flange screw		(968855)

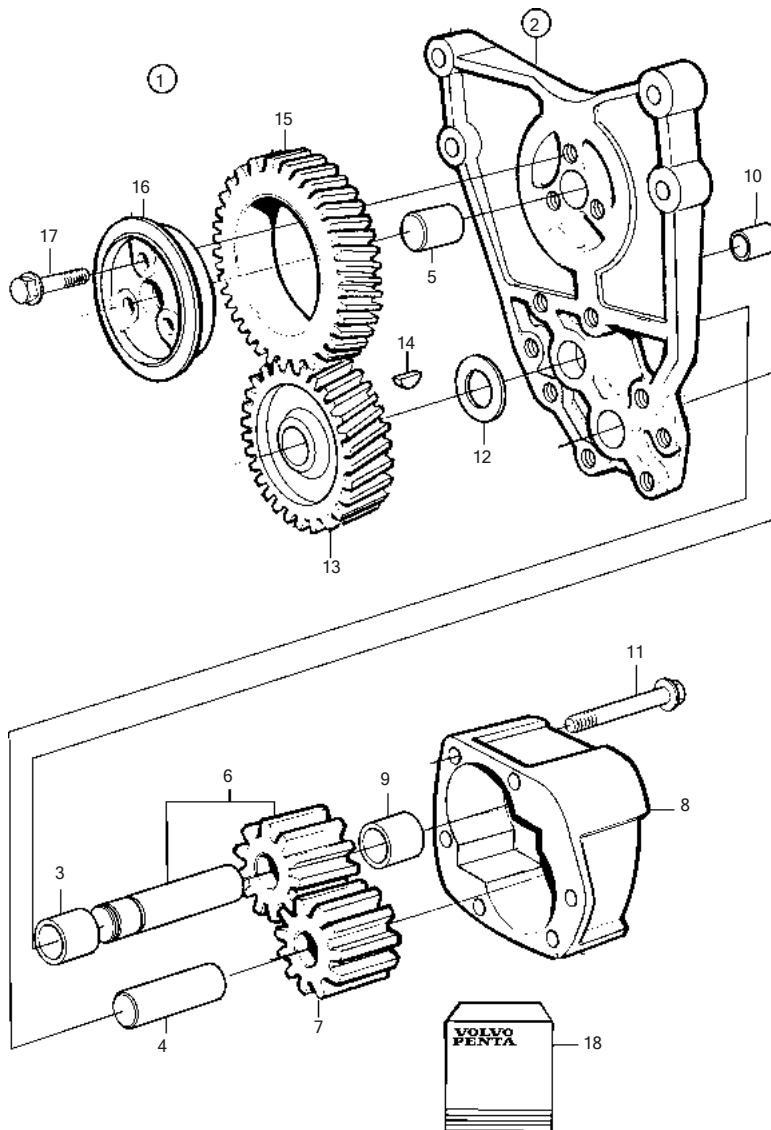
TMD31L-A



TMD31L-A

REF	PART NO.	QTY	DESCRIPTION	SEE SEC.	NOTES
1	860721	1	Oil pump		
			•	528	
2	948217	4	Flange screw		
3		1	Reducing valve		Repl by 3581308
4	471115	1	• Reduction valve		
5	1542257	1	• Spring		
6	948343	1	• Disc		
7	914506	1	• Snap ring		
8	469482	1	Sealing ring		
9	1545271	1	Sealing ring		Early type
10		1	Flange		TH=15mm, Repl by 3581206
11	965184	2	Flange screw		L=100mm
12	860821	1	Delivery pipe		
13	1542248	1	Flange		
14		3	Sealing ring		Early type
15	946173	2	Flange screw		
16	976039	1	O-ring		Late type, Obsolete part
17	471956	1	Gasket		Late type
18	3581308	1	Reducing valve		
			• Bulletin 44-32	44-32-EN	Reduction Valve D31, 41, 42
			• Bulletin 44-32A	44-32A-EN	Reduction Valve D31, 41, 42
19	471115	1	• Reduction valve		
20	1542257	1	• Spring		
21	948343	1	• Disc		
22	914506	1	• Snap ring		
23	976039	1	O-ring		Obsolete part
24	3581206	1	Flange		TH=8mm
25	965183	2	Flange screw		L=90mm
26	861321	1	Suction pipe		
27	946173	2	Flange screw		
28	948645	2	Flange lock nut		
29	976944	2	Washer		
30	859587	1	Baffle plate		
31	942385	2	Disc spring		
32	946440	2	Flange screw		
33	3583865	1	Sump		(861152)
34	948187	1	Plug		Early type
35	18818	1	Gasket		Early type
36	861250	1	Gasket		
37	946440	26	Flange screw		
38	861099	1	Tube		
39	846007	1	Tube		
40	843533	1	Rubber hose		
41	943585	1	Plug		
42	949746	1	Clamp		
43		1	Stud		See group 25
44		1	Nut		See group 25
45	843692	1	Tube		
46	843533	1	Rubber hose		
47	861099	1	Tube		
48	861087	1	Dipstick		
49	960155	1	O-ring		
50	949746	1	Clamp		
51	855314	1	Spacer nut		
52	946440	1	Flange screw		
53	965217	2	Flange screw		
54	469483	1	Sealing ring		
55	949746	1	Clamp		
56	955893	1	Washer		
57	948746	1	Flange screw		(968855)

AD31L-A, AD31P-A, TAMD41H-A, TAMD41H-B, TAMD41P-A, TAMD41L-A,  
TAMD41M-A, TMD41L-A



18183

**Oil Pump, Components**

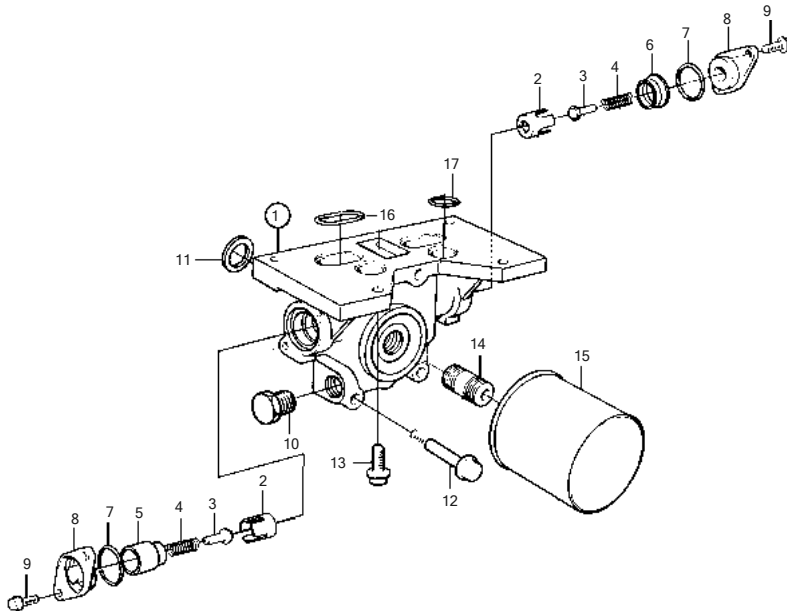
**22**

AD31L-A, AD31P-A, TAMD41H-A, TAMD41H-B, TAMD41P-A, TAMD41L-A, TAMD41M-A, TMD41L-A

REF	PART NO.	QTY	DESCRIPTION	NOTES
1	860721	1	Oil pump	
2	(1542211)	1	• Bracket	Obsolete part
3	470234	1	• • Bushing	
4	420043	1	• • Pivot pin	
5	(950614)	1	• • Pin	Obsolete part
6	860722	1	• Shaft, with gear	
7	425185	1	• Gear	
8		1	• Housing	
9	401146	2	• Guide sleeve	
10	470234	1	• Bushing	
11	973924	2	• Flange screw	
12	424133	1	• Washer	
13	1542214	1	• Gear	
14	910115	1	• Woodruff key	
15	1542215	1	• Oil pump wheel	
16	1542218	1	• Bearing sleeve	
17	946470	3	• Flange screw	
18	276166	1	Oil pump kit	See group 99



AD31L-A, AD31P-A, TAMD31L-A, TAMD31M-A, TAMD31P-A, TAMD31S-A,  
TMD31L-A

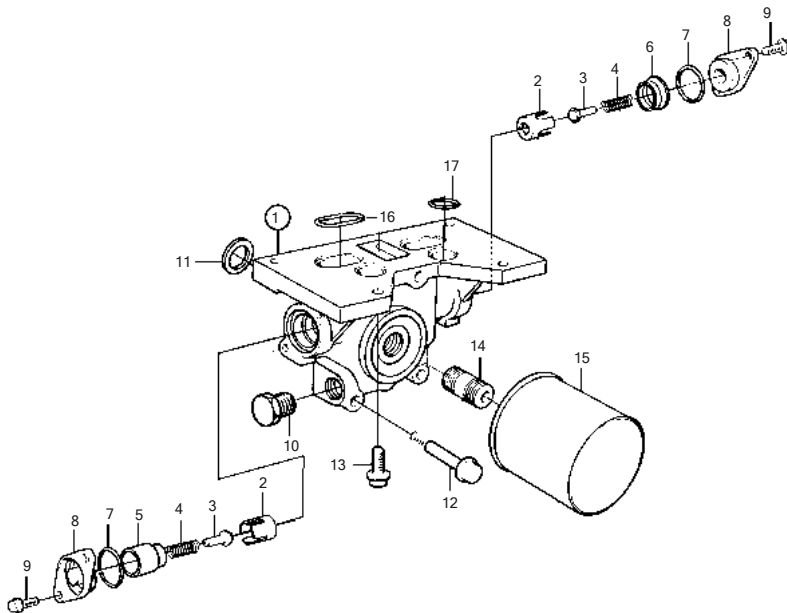


18184

AD31L-A, AD31P-A, TAMD31L-A, TAMD31M-A, TAMD31P-A, TAMD31S-A, TMD31L-A

REF	PART NO.	QTY	DESCRIPTION	SEE SEC.	NOTES
1	3581943	1	Oil filter housing		
2	1542265	2	• Valve seat		
3	471085	2	• Valve cone		
4	468087	2	• Spring		
5	3581951	1	• Sleeve		
6	3581950	1	• Sleeve		
7	949659	2	• O-ring		
8	1542267	2	• Cover		
9	946544	4	• Flange screw		
10	479977	1	• Plug		
11	469483	4	Sealing ring		
12	965182	3	Flange screw		
13	946671	4	Flange screw		
14	846015	1	Nipple		
15	3517857	1	Oil filter		
			• Bulletin P-18-3-11	P-18-3-11-EN	QUANT PAC of Maintenance parts
16	859086	2	Sealing ring		
17	469483	2	Sealing ring		

AD41L-A, AD41P-A, D41L-A, TAMD41H-A, TAMD41H-B, TAMD41P-A,  
TAMD41L-A, TAMD41M-A, TMD41L-A

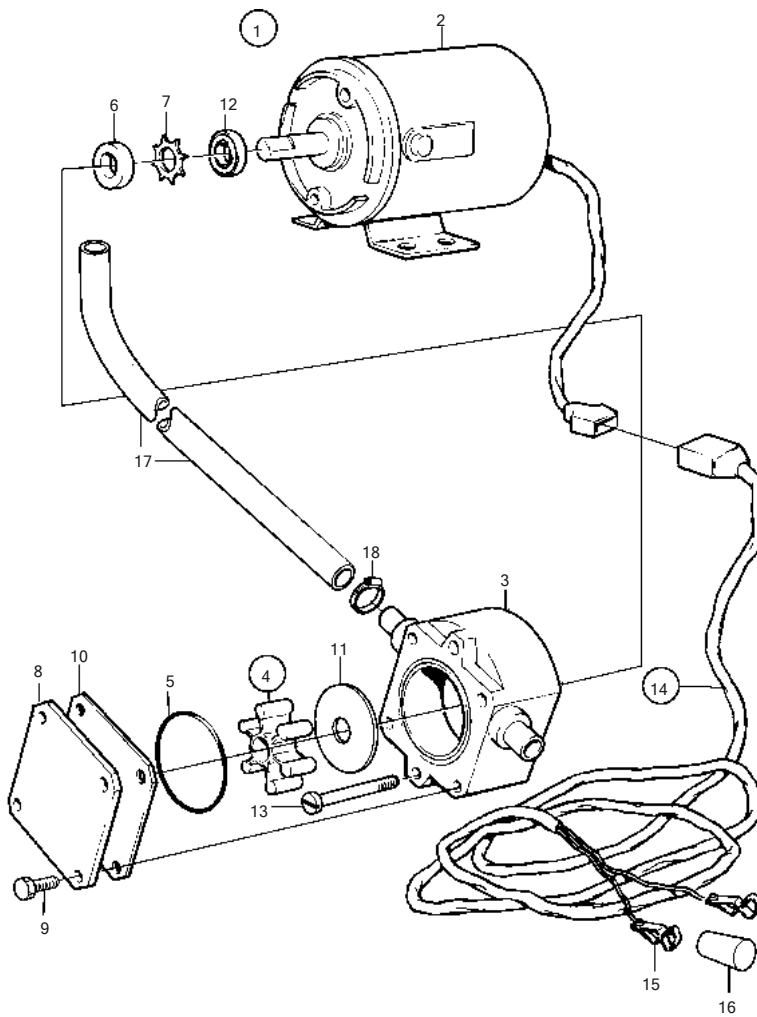


18184

AD41L-A, AD41P-A, D41L-A, TAMD41H-A, TAMD41H-B, TAMD41P-A, TAMD41L-A,  
TAMD41M-A, TMD41L-A

REF	PART NO.	QTY	DESCRIPTION	SEE SEC.	NOTES
1	3581943	1	Oil filter housing		
2	1542265	2	• Valve seat		
3	471085	2	• Valve cone		
4	468087	2	• Spring		
5	3581951	1	• Sleeve		
6	3581950	1	• Sleeve		
7	949659	2	• O-ring		
8	1542267	2	• Cover		
9	946544	4	• Flange screw		
10	479977	1	• Plug		
11	469483	4	Sealing ring		
12	965182	3	Flange screw		
13	946671	4	Flange screw		
14	423067	1	Nipple		
15	471034	1	Oil filter		
			• Bulletin P-18-3-11	P-18-3-11-EN	QUANT PAC of Maintenance parts
16	859086	2	Sealing ring		
17	469483	2	Sealing ring		

AD31L-A, AD31P-A, AD41L-A, AD41P-A, D41L-A, TAM31L-A, TAM31M-A,  
 TAM31P-A, TAM31S-A, TAM41H-A, TAM41H-B, TAM41P-A,  
 TAM41L-A, TAM41M-A, TMD31L-A, TMD41L-A

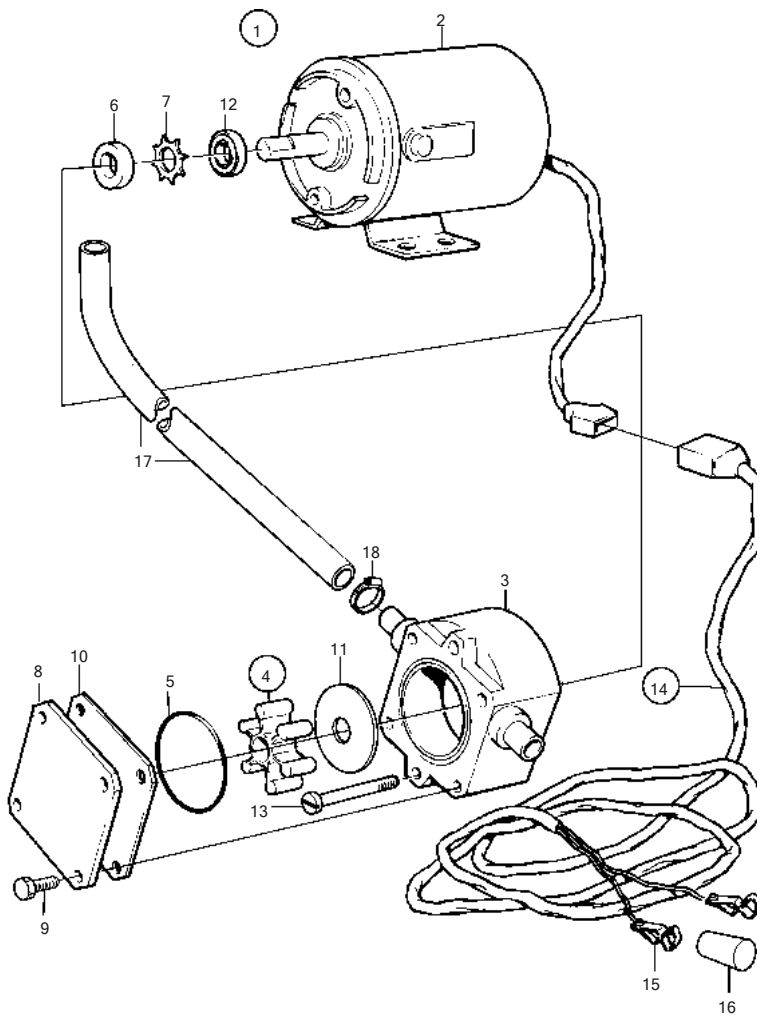


18186

AD31L-A, AD31P-A, AD41L-A, AD41P-A, D41L-A, TAMD31L-A, TAMD31M-A, TAMD31P-A, TAMD31S-A, TAMD41H-A, TAMD41H-B, TAMD41P-A, TAMD41L-A, TAMD41M-A, TMD31L-A, TMD41L-A

REF	PART NO.	QTY	DESCRIPTION	NOTES
1	843114	1	Oil bilge pump	12V
2	842855	1	• Oil bilge pump	
3	(844015)	1	• • Pump housing	Obsolete part
4	844022	1	• • Impeller kit	
5		1	• • • O-ring	
6		1	• • • Sealing ring	
7		1	• • • Lock ring	
8	844018	1	• • Cardboard tube	
9	844021	4	• • Screw	
10	844017	1	• • Wear washer	
11	844016	1	• • Wear washer	
12	(844019)	1	• • Deflector ring	Obsolete part
13	969518	2	• • 6 point socket screw	(847464)
14	843113	1	• Cable trunk	
15	844280	2	• • Clip	
16	(844279)	1	• • Isolation	Obsolete part, Black
	(844278)	1	• • Isolation	Obsolete part, Red
17	943707	X	• Hose	
18	943471	3	• Hose clamp	

AD31L-A, AD31P-A, AD41L-A, AD41P-A, D41L-A, TAM31L-A, TAM31M-A,  
TAM31P-A, TAM31S-A, TAM41H-A, TAM41H-B, TAM41P-A,  
TAM41L-A, TAM41M-A, TMD31L-A, TMD41L-A



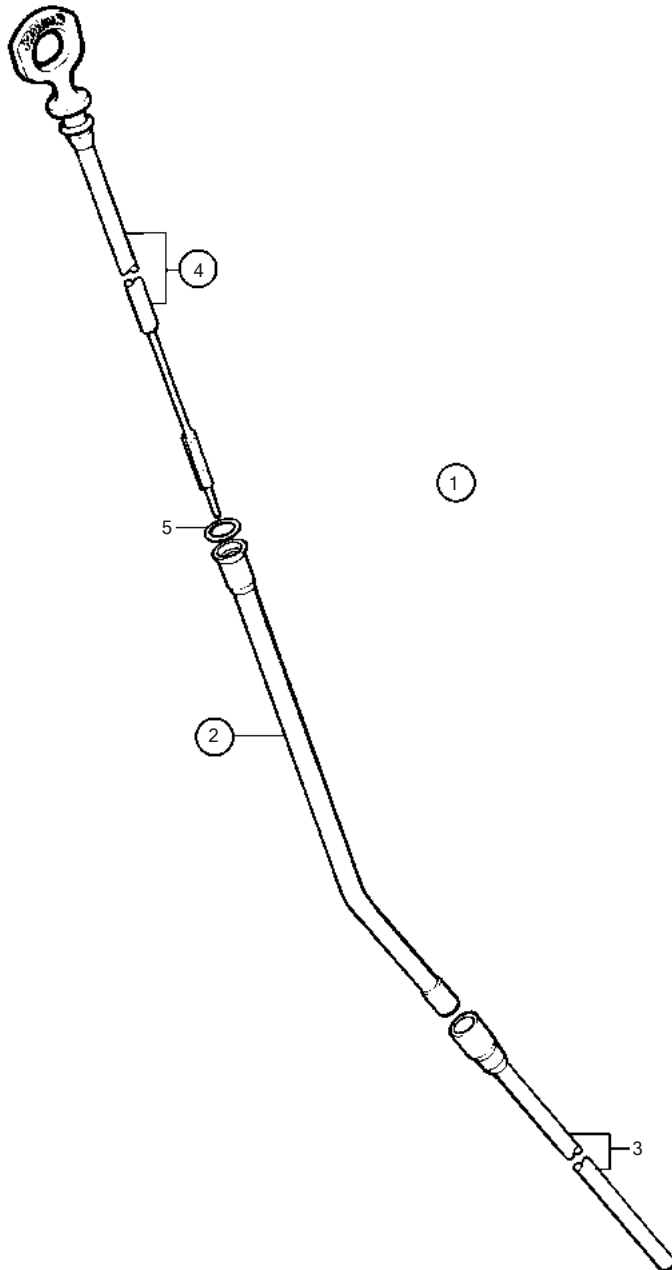
18186

AD31L-A, AD31P-A, AD41L-A, AD41P-A, D41L-A, TAMD31L-A, TAMD31M-A, TAMD31P-A, TAMD31S-A, TAMD41H-A, TAMD41H-B, TAMD41P-A, TAMD41L-A, TAMD41M-A, TMD31L-A, TMD41L-A

REF	PART NO.	QTY	DESCRIPTION	NOTES
1	843410	1	Oil bilge pump	24V
2	842222	1	· Electrical motor	
3	(844015)	1	· · Pump housing	Obsolete part
4	844022	1	· · Impeller kit	
5		1	· · · O-ring	
6		1	· · · Sealing ring	
7		1	· · · Lock ring	
8	844018	1	· · Cardboard tube	
9	844021	4	· · Screw	
10	844017	1	· · Wear washer	
11	844016	1	· · Wear washer	
12	(844019)	1	· · Deflector ring	Obsolete part
13	969518	2	· · 6 point socket screw	(847464)
14	843113	1	· Cable trunk	
15	844280	2	· · Clip	
16	(844279)	1	· · Isolation	Obsolete part, Black
	(844278)	1	· · Isolation	Obsolete part, Red
17	943707	X	· Hose	
18	943471	3	· Hose clamp	



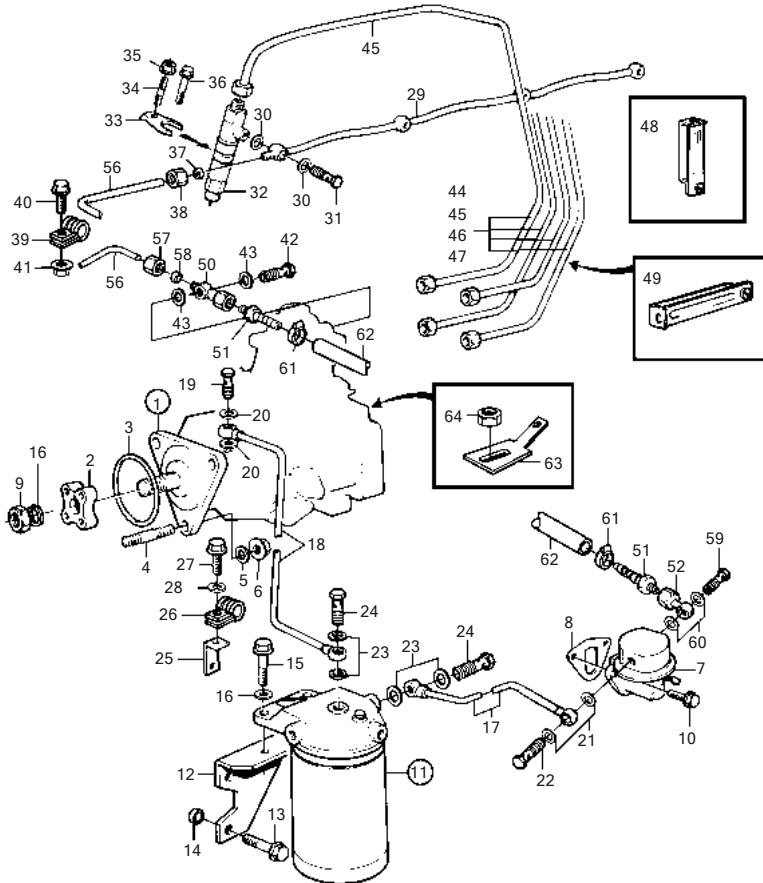
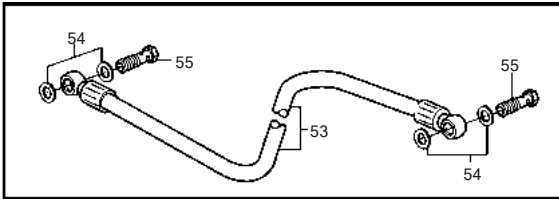
AD41L-A, AD41P-A, D41L-A, TAMD41H-A, TAMD41H-B, TAMD41P-A,  
TAMD41L-A, TAMD41M-A, TMD41L-A



18190



AD31L-A, AD31P-A



22756

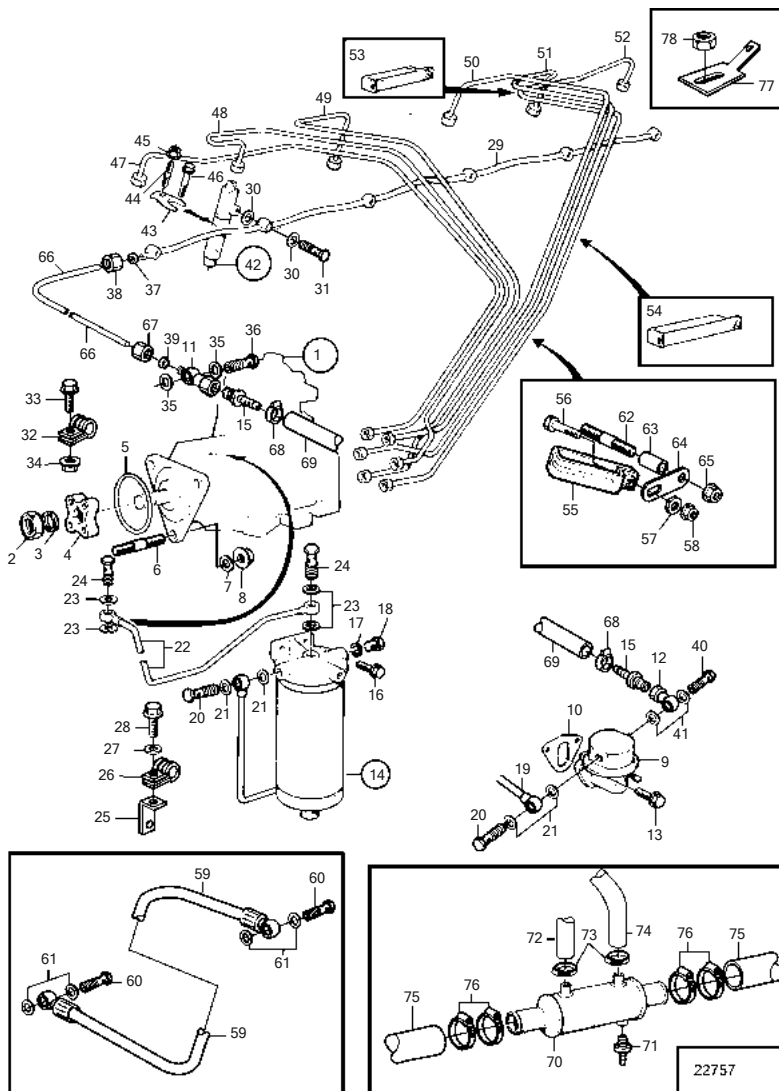
## AD31L-A, AD31P-A

REF	PART NO.	QTY	DESCRIPTION	SEE SEC.	NOTES
1	861119	1	Injection pump		AD31L-A
			.	932	
	861621	1	Injection pump		AD31P-A
			. parts not sold separately		
2	859601	1	Hub		
3	968971	1	O-ring		
4	953047	3	Stud		
5	191172	3	Washer		
6	945408	2	Flange nut		
		1	Hexagon nut		
7	3582310	1	Feed pump		
8	3501530	1	Gasket		
9		1	Nut		Included in fuel injection pump.
10	946173	2	Flange screw		
11	840531	1	Fuel filter		
			.	923	
12	3581698	1	Bracket		
13	965193	2	Flange screw		
14	843122	2	Spacer sleeve		
15	946329	2	Flange screw		
16		1	Washer		Included in fuel injection pump.
17	860447	1	Fuel pipe		
18	838722	1	Fuel pipe		
19	969299	1	Hollow screw		
20	11994	2	Gasket		
21	11994	2	Gasket		
22	969299	1	Hollow screw		
23	969011	4	Gasket		
24	25167	2	Hollow screw		
25	846780	1	Bracket		
26	952624	1	Clamp		
27	948746	1	Flange screw		
28	955893	1	Washer		
29	838666	1	Leak-off line		
30	947620	8	Gasket		
31	74033	4	Hollow screw		
32	861103	4	Injector		AD31P-A
	3803238	4	Injector, exch		AD31P-A
			.	572	
	859494	4	Injector		AD31L-A
	3803235	4	Injector, exch		AD31L-A
			.	925	
33	861728	4	Yoke		
34	980226	4	Stud		
35	945408	4	Flange nut		
36	946470	4	Flange screw		
37	956966	1	Ferrule		
38	956980	1	Fitting nut		
39	121563	1	Clamp		
40	946544	1	Flange screw		
41	945407	1	Flange nut		
42		1	Hollow screw		Included in fuel injection pump.
43	11994	2	Gasket		
44	838873	1	Delivery pipe		Cyl no 1
45	838874	1	Delivery pipe		Cyl no 2
46	838875	1	Delivery pipe		Cyl no 3
47	838876	1	Delivery pipe		Cyl no 4
48	8194351	2	Attaching clamp		2-pipe
49	8194353	2	Attaching clamp		4-pipe
50	861080	1	Banjo nipple		
51	3825000	2	Hose nipple		
52	861079	1	Banjo nipple		
53	860131	1	Air vent hose		
54	947620	4	Gasket		
55	74033	2	Hollow screw		
56	3581450	1	Return line		
57	956980	1	Fitting nut		
58	956966	1	Ferrule		
59	969299	1	Hollow screw		

AD31L-A, AD31P-A
------------------

REF	PART NO.	QTY	DESCRIPTION	SEE SEC.	NOTES
60	11994	2	Gasket		
61		2	Hose clamp		
62		X	Hose		
63	944485	1	Cable terminal		
64	965483	1	Flange nut		

AD41L-A, AD41P-A



AD41L-A, AD41P-A

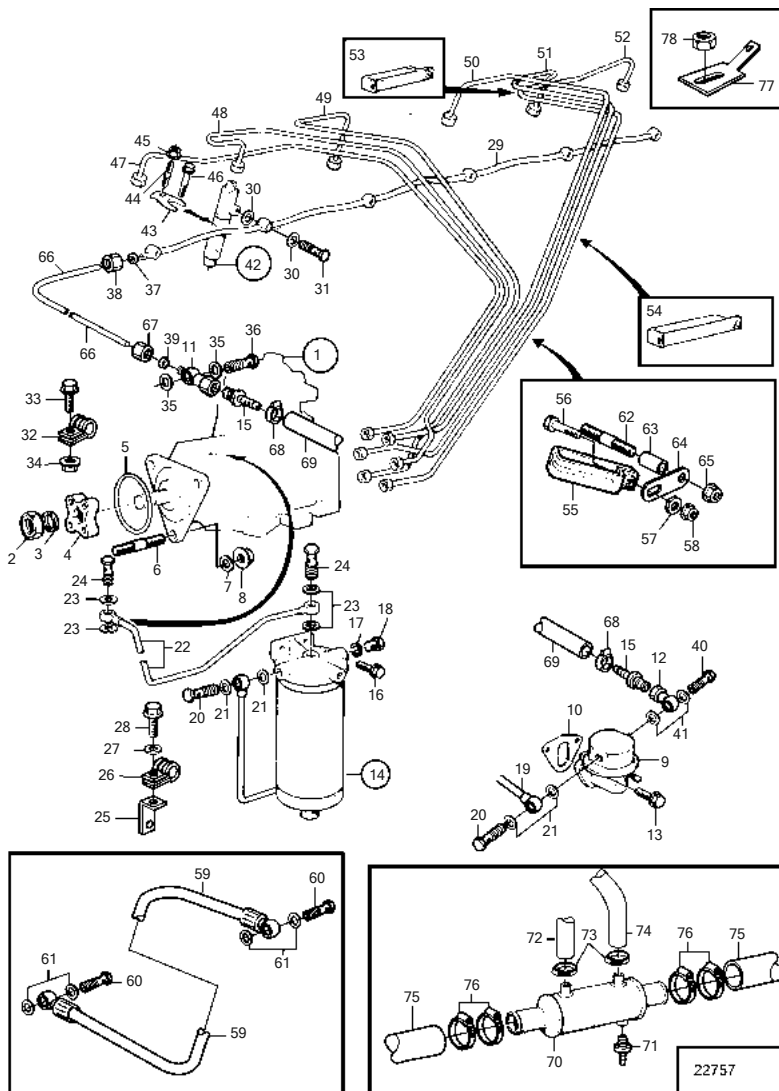
REF	PART NO.	QTY	DESCRIPTION	SEE SEC.	NOTES
1	(861765)	1	Injection pump		AD41P-A, Obsolete part
			.	1893	
	860270	1	Injection pump		Product no. 869054, AD41P-A
			.	1888	
	861102	1	Injection pump		Product no. 869033, 869048,869134, AD41P-A, SN-2204153071 Repl by 3581433
			.	1778	
	3581433	1	Injection pump		AD41P-A, SN2204153072-
			. parts not sold separately		
	861316	1	Injection pump		AD41L-A, SN-2204160725
			.	1781	
	3581433	1	Injection pump		AD41L-A, SN2204160726-
			. parts not sold separately		
2	955804	1	Hexagon nut		Included in fuel injection pump.
3	955925	1	Spring washer		Included in fuel injection pump.
4	859601	1	Hub		
5	968971	1	O-ring		
6	953047	3	Stud		
7	191172	3	Washer		
8	945408	2	Flange nut		
		1	Hexagon nut		
9	3582310	1	Feed pump		
10	3501530	1	Gasket		
11	861080	1	Banjo nipple		
12	861079	1	Banjo nipple		
13	946173	2	Flange screw		
14	860873	1	Fuel filter		Repl by 3581542
			.	3722	
	3581542	1	Fuel filter		Repl by 3588380
			.	3722	
	3588380	1	Fuel filter		
			.	7765	
15	3825000	2	Hose nipple		
16	946329	2	Flange screw		
17	11994	1	Gasket		
18	960629	1	Plug		
19	860448	1	Fuel pipe		
20	969299	2	Hollow screw		
21	11994	4	Gasket		
22	838659	1	Fuel pipe		
23	11994	4	Gasket		
24	969299	2	Hollow screw		
25	846780	1	Bracket		
26	952624	1	Clamp		
27	955893	1	Washer		
28	948746	1	Flange screw		
29	838667	1	Leak-off line		
30	947620	12	Gasket		
31	74033	6	Hollow screw		
32	121563	1	Clamp		
33	946544	1	Flange screw		AD41P-A
34	945407	1	Flange nut		
35	11994	2	Gasket		
36		1	Hollow screw		Included in fuel injection pump.
37	956966	1	Ferrule		
38	956980	1	Fitting nut		
39	956966	1	Ferrule		
40	969299	1	Hollow screw		
41	11994	2	Gasket		
42	861103	6	Injector		Product no. 869033, 869048,869134
	3803238	6	Injector, exch		Product no. 869033, 869048,869134
			.		

AD41L-A, AD41P-A

REF	PART NO.	QTY	DESCRIPTION	SEE SEC.	NOTES
	859494	6	Injector	572	Product no. 869054
	3803235	6	Injector, exch		Product no. 869054
			.	925	
43	861728	6	Yoke		
44	980226	6	Stud		Early type
45	945408	6	Flange nut		Early type
46	946470	6	Flange screw		Late type
47	861148	1	Delivery pipe		Cyl no 1
48	838878	1	Delivery pipe		Cyl no 2
49	861149	1	Delivery pipe		Cyl no 3
50	838880	1	Delivery pipe		Cyl no 4
51	838881	1	Delivery pipe		Cyl no 5
52	838882	1	Delivery pipe		Cyl no 6
53	8194351	2	Attaching clamp		2-pipe
54	8194352	3	Clamp		3-pipe
55	470184	1	Clamp		L=450mm
56	955275	1	Hexagon screw		
57	955893	2	Washer		
58	945407	1	Flange nut		
59	860131	1	Air vent hose		
60	74033	2	Hollow screw		
61	947620	4	Gasket		
62	984130	1	Stud		
63	833244	1	Spacer sleeve		
64	965534	1	Bracket		
65	945408	1	Flange nut		
66	3581450	1	Return line		
67	956980	1	Fitting nut		
68		2	Hose clamp		
69		X	Hose		
70	858541	1	Oil cooler		
71	949918	1	Shut-off cock		
72	861057	1	Fuel hose		Return to fuel cooler., L=450mm
			· Bulletin P-23-4-4	P-23-4-4-EN	Fuel Hose P/N 861057
73	961664	2	Hose clamp		
74	861057	X	Fuel hose		Fuel cooler - fuel tank.
			· Bulletin P-23-4-4	P-23-4-4-EN	Fuel Hose P/N 861057
75	861738	X	Hose		
76	961669	4	Hose clamp		
77	944485	1	Cable terminal		
78	965483	1	Flange nut		



D41L-A, TMD41L-A



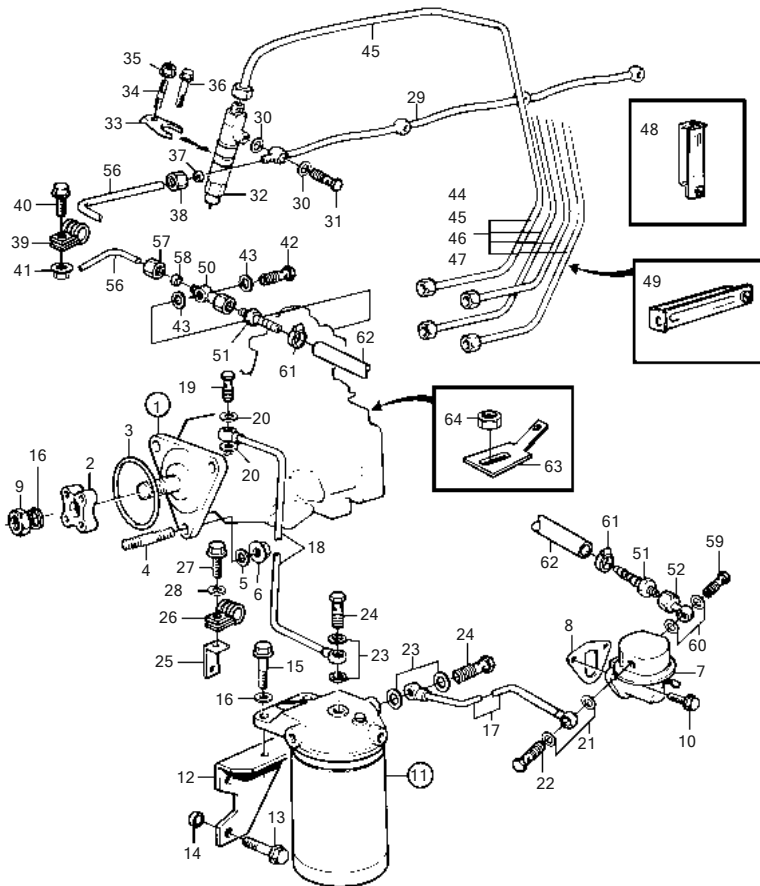
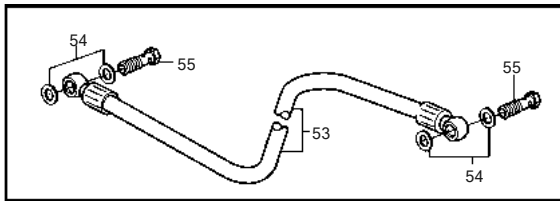
D41L-A, TMD41L-A

REF	PART NO.	QTY	DESCRIPTION	SEE SEC.	NOTES
1	(861315)	1	Injection pump		Obsolete part
			.	1783	
2	955804	1	Hexagon nut		Included in fuel injection pump.
3	955925	1	Spring washer		Included in fuel injection pump.
4	859601	1	Hub		
5	968971	1	O-ring		
6	953047	3	Stud		
7	191172	3	Washer		
8	945408	2	Flange nut		
		1	Hexagon nut		
9	3582310	1	Feed pump		(860320)
10	3501530	1	Gasket		
11	861080	1	Banjo nipple		
12	861079	1	Banjo nipple		
13	946173	2	Flange screw		
14	860873	1	Fuel filter		Repl by 3581542
			.		
			.	3722	
	3581542	1	Fuel filter		Repl by 3588380
			.		
			.	3722	
	3588380	1	Fuel filter		
			.		
			.	7765	
15	3825000	2	Hose nipple		
16	946329	2	Flange screw		
17	11994	1	Gasket		
18	960629	1	Plug		
19	860448	1	Fuel pipe		
20	969299	2	Hollow screw		
21	11994	4	Gasket		
22	838659	1	Fuel pipe		
23	11994	4	Gasket		
24	969299	2	Hollow screw		
25	846780	1	Bracket		
26	952624	1	Clamp		
27	955893	1	Washer		
28	948746	1	Flange screw		
29	838667	1	Leak-off line		
30	947620	12	Gasket		
31	74033	6	Hollow screw		
32	121563	1	Clamp		
33	946544	1	Flange screw		
34	945407	1	Flange nut		
35	11994	2	Gasket		
36		1	Hollow screw		Included in fuel injection pump.
37	956966	1	Ferrule		
38	956980	1	Fitting nut		
39	956966	1	Ferrule		
40	969299	1	Hollow screw		
41	11994	2	Gasket		
42	861103	6	Injector		
	3803238	6	Injector, exch		
43	861728	6	Yoke		
44	980226	6	Stud		Early type
45	945408	6	Flange nut		Early type
46	946470	6	Flange screw		Late type
47	861148	1	Delivery pipe		Cyl no 1
48	838878	1	Delivery pipe		Cyl no 2
49	861149	1	Delivery pipe		Cyl no 3
50	838880	1	Delivery pipe		Cyl no 4
51	838881	1	Delivery pipe		Cyl no 5
52	838882	1	Delivery pipe		Cyl no 6
53	8194351	2	Attaching clamp		2-pipe
54	8194352	3	Clamp		3-pipe
55	470184	1	Clamp		L=450mm
56	955275	1	Hexagon screw		
57	955893	2	Washer		
58	945407	1	Flange nut		
59	860131	1	Air vent hose		
60	74033	2	Hollow screw		
61	947620	4	Gasket		

D41L-A, TMD41L-A

REF	PART NO.	QTY	DESCRIPTION	SEE SEC.	NOTES
62	984130	1	Stud		
63	833244	1	Spacer sleeve		
64	965534	1	Bracket		
65	945408	1	Flange nut		
66	3581450	1	Return line		
67	956980	1	Fitting nut		
68		2	Hose clamp		
69		X	Hose		
70	858541	1	Oil cooler		
71	949918	1	• Shut-off cock		
72	861057	1	Fuel hose		Return to fuel cooler., L=450mm
			• Bulletin P-23-4-4	P-23-4-4-EN	Fuel Hose P/N 861057
73	961664	2	Hose clamp		
74	861057	X	Fuel hose		Fuel cooler - fuel tank.
			• Bulletin P-23-4-4	P-23-4-4-EN	Fuel Hose P/N 861057
75	861738	X	Hose		
76	961669	4	Hose clamp		
77	944485	1	Cable terminal		
78	965483	1	Flange nut		

TAMD31L-A, TAMD31M-A, TAMD31P-A, TAMD31S-A



22756

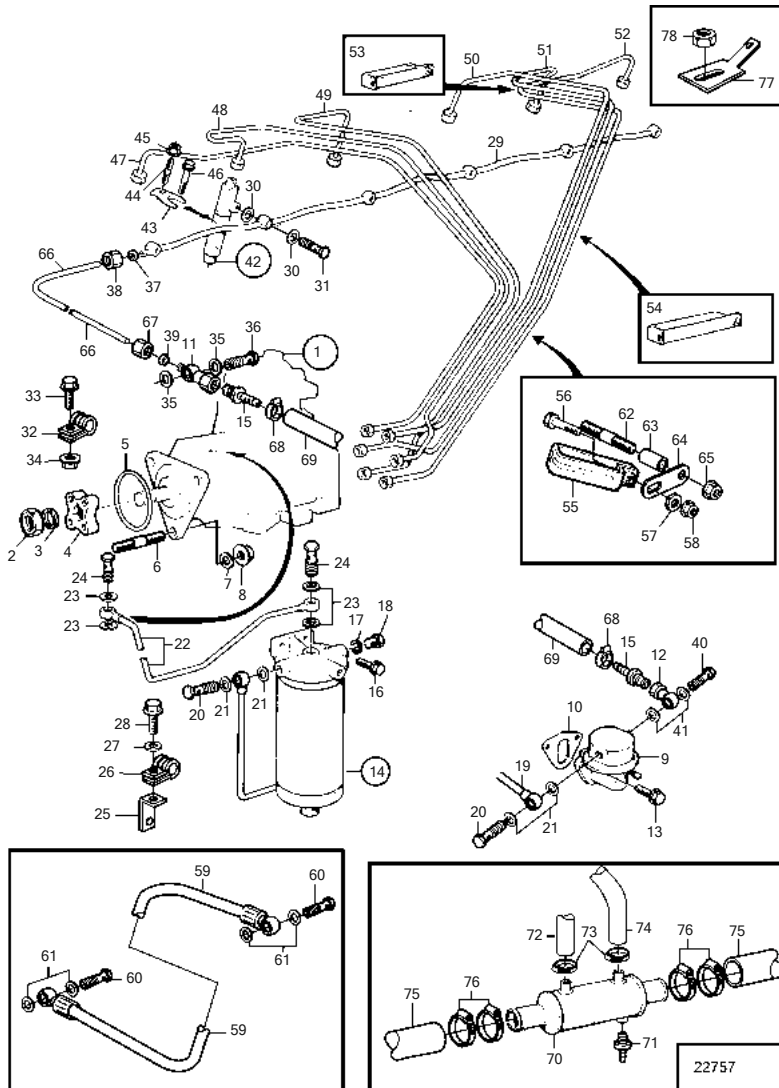
TAMD31L-A, TAMD31M-A, TAMD31P-A, TAMD31S-A

REF	PART NO.	QTY	DESCRIPTION	SEE SEC.	NOTES
1	861621	1	Injection pump		TAMD31P-A
			· parts not sold separately		
	861119	1	Injection pump		TAMD31L-A
			·		
			·	932	
	860914	1	Injection pump		TAMD31M-A
			·		
			·	929	
	3583137	1	Injection pump		TAMD31S-A
			· parts not sold separately		
2	859601	1	Hub		
3	968971	1	O-ring		
4	980225	3	Stud		
5	191172	3	Washer		
6	945408	2	Flange nut		
		1	Hexagon nut		
7	3582310	1	Feed pump		
8	3501530	1	Gasket		
9		1	Nut		Included in fuel injection pump.
10	946173	2	Flange screw		
11	840531	1	Fuel filter		
			·		
			·	923	
12	3581698	1	Bracket		
13	965193	2	Flange screw		
14	843122	2	Spacer sleeve		
15	946329	2	Flange screw		
16		1	Washer		Included in fuel injection pump.
17	860447	1	Fuel pipe		
18	838722	1	Fuel pipe		
19	969299	1	Hollow screw		
20	11994	2	Gasket		
21	11994	2	Gasket		
22	969299	1	Hollow screw		
23	969011	4	Gasket		
24	25167	2	Hollow screw		
25	846780	1	Bracket		
26	952624	1	Clamp		
27	948746	1	Flange screw		
28	955893	1	Washer		
29	838666	1	Leak-off line		
	3581539	1	Leak-off line		TAMD31S-A
30	981183	8	Gasket		
31	243487	4	Hollow screw		
32	859494	4	Injector		TAMD31L-A, TAMD31M-A
	3803235	4	Injector, exch		TAMD31L-A, TAMD31M-A
			·		
			·	925	
	861103	4	Injector		TAMD31P-A
	3803238	4	Injector, exch		TAMD31P-A
			·		
			·	572	
	3581435	4	Injector		TAMD31S-A
	3803404	4	Injector, exch		TAMD31S-A
			· parts not sold separately		
33	861728	4	Yoke		TAMD31P-A/ L-A/ M-A
	3581376	4	Yoke		TAMD31S-A
34	980226	4	Stud		
35	945408	4	Flange nut		
36	946470	4	Flange screw		
37	956966	1	Ferrule		
38	956980	1	Fitting nut		
39	121563	1	Clamp		
40	946544	1	Flange screw		
41	945407	1	Flange nut		
42		1	Hollow screw		Included in fuel injection pump.
43	11994	2	Gasket		
44	838873	1	Delivery pipe		Cyl no 1
45	838874	1	Delivery pipe		Cyl no 2
46	838875	1	Delivery pipe		Cyl no 3
47	838876	1	Delivery pipe		Cyl no 4
48	8194351	2	Attaching clamp		2-pipe
49	8194353	2	Attaching clamp		4-pipe

TAMD31L-A, TAMD31M-A, TAMD31P-A, TAMD31S-A

REF	PART NO.	QTY	DESCRIPTION	SEE SEC.	NOTES
50	861080	1	Banjo nipple		
51	3825000	2	Hose nipple		
52	861079	1	Banjo nipple		
53	860131	1	Air vent hose		
54	947620	4	Gasket		
55	74033	2	Hollow screw		
56	3581450	1	Return line		
57	956980	1	Fitting nut		
58	956966	1	Ferrule		
59	969299	1	Hollow screw		
60	11994	2	Gasket		
61		2	Hose clamp		
62		X	Hose		
63	944485	1	Cable terminal		
64	965483	1	Flange nut		

TAMD41H-A, TAMD41H-B, TAMD41P-A, TAMD41L-A, TAMD41M-A



TAMD41H-A, TAMD41H-B, TAMD41P-A, TAMD41L-A, TAMD41M-A

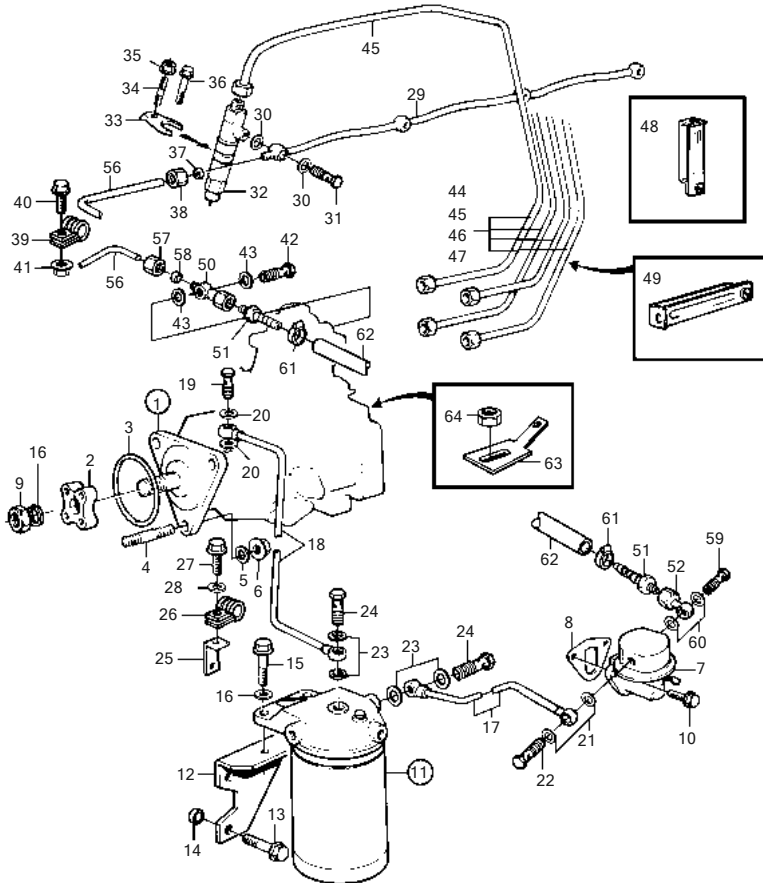
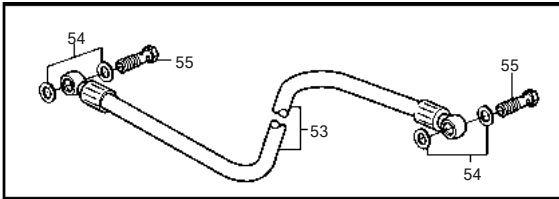
REF	PART NO.	QTY	DESCRIPTION	SEE SEC.	NOTES
1	861102	1	Injection pump		Product no. 869030, 869031, 869032, 869036., TAMD41P-A, SN-2204153071, Repl by 3581433
			*	1778	
	3581433	1	Injection pump		Product no. 869030, 869031, 869032, 869036., TAMD41P-A, SN2204153072-
	860270	1	Injection pump		Product no. 869028, 869029, 869053., TAMD41P-A
			*	1888	
	861316	1	Injection pump		TAMD41H-A, TAMD41L-A
			*	1701	
	3581420	1	Injection pump		TAMD41H-B
	860915	1	Injection pump		TAMD41M-A
			*	936	
2	955804	1	Hexagon nut		Included in fuel injection pump.
3	955925	1	Spring washer		Included in fuel injection pump.
4	859601	1	Hub		
5	968971	1	O-ring		
6	953047	3	Stud		
7	191172	3	Washer		
8	945408	2	Flange nut		
		1	Hexagon nut		
9	3582310	1	Feed pump		
10	3501530	1	Gasket		
11	861080	1	Banjo nipple		
12	861079	1	Banjo nipple		
13	946173	2	Flange screw		
14	860873	1	Fuel filter		Repl by 3581542
			*	3722	
	3581542	1	Fuel filter		Repl by 3588380
			*	3722	
	3588380	1	Fuel filter		
			*	7765	
15	3825000	2	Hose nipple		
16	946329	2	Flange screw		
17	11994	1	Gasket		
18	960629	1	Plug		
19	860448	1	Fuel pipe		
20	969299	2	Hollow screw		
21	11994	4	Gasket		
22	838659	1	Fuel pipe		
23	11994	4	Gasket		
24	969299	2	Hollow screw		
25	846780	1	Bracket		
26	952624	1	Clamp		
27	955893	1	Washer		
28	948746	1	Flange screw		
29	838667	1	Leak-off line		TAMD41P-A/ L-A/ M-A/ H-A
	3581540	1	Leak-off line		TAMD41H-B
30	947620	12	Gasket		TAMD41P-A/ L-A/ M-A/ H-A
	981183	12	Gasket		TAMD41H-B
31	74033	6	Hollow screw		TAMD41P-A/ L-A/ M-A/ H-A
	243487	6	Hollow screw		TAMD41H-B
32	121563	1	Clamp		
33	946544	1	Flange screw		AD41P-A
34	945407	1	Flange nut		
35	11994	2	Gasket		
36		1	Hollow screw		Included in fuel injection pump.
37	956966	1	Ferrule		
38	956980	1	Fitting nut		
39	956966	1	Ferrule		
40	969299	1	Hollow screw		
41	11994	2	Gasket		
42	861103	6	Injector		Product no. 869030, 869031, 869032, 869036.
			*	572	
	3803238	6	Injector, exch		Product no. 869030, 869031, 869032, 869036.
			*	572	
	859494	6	Injector		Product no. 869028, 869029, 869053.
			*	925	
	3803235	6	Injector, exch		Product no. 869028, 869029, 869053.
			*	925	



TAMD41H-A, TAMD41H-B, TAMD41P-A, TAMD41L-A, TAMD41M-A

REF	PART NO.	QTY	DESCRIPTION	SEE SEC.	NOTES
	861103	6	Injector		TAMD41H-A, TAMD41L-A,
			·	572	
	3803238	6	Injector, exch		TAMD41H-A, TAMD41L-A,
			·	572	
	3581435	6	Injector		TAMD41H-B, E.U=3803404
	3803404	6	Injector, exch		TAMD41H-B, E.U=3803404
43	861728	6	Yoke		TAMD41P-A/ L-A/ M-A/ H-A
	3581376	6	Yoke		TAMD41H-B
44	980226	6	Stud		Early type
45	945408	6	Flange nut		Early type
46	946470	6	Flange screw		Late type
47	861148	1	Delivery pipe		Cyl no 1
48	838878	1	Delivery pipe		Cyl no 2
49	861149	1	Delivery pipe		Cyl no 3
50	838880	1	Delivery pipe		Cyl no 4
51	838881	1	Delivery pipe		Cyl no 5
52	838882	1	Delivery pipe		Cyl no 6
53	8194351	2	Attaching clamp		2-pipe
54	8194352	3	Clamp		3-pipe
55	470184	1	Clamp		L=450mm
56	955275	1	Hexagon screw		
57	955893	2	Washer		
58	945407	1	Flange nut		
59	860131	1	Air vent hose		
60	74033	2	Hollow screw		
61	947620	4	Gasket		
62	984130	1	Stud		
63	833244	1	Spacer sleeve		
64	965534	1	Bracket		
65	945408	1	Flange nut		
66	3581450	1	Return line		
67	956980	1	Fitting nut		
68		2	Hose clamp		
69		X	Hose		
70	858541	1	Oil cooler		
71	949918	1	· Shut-off cock		
72	861057	1	Fuel hose		Return to fuel cooler., L=450mm
			· Bulletin P-23-4-4	P-23-4-4-EN	Fuel Hose P/N 861057
73	961664	2	Hose clamp		
74	861057	X	Fuel hose		Fuel cooler - fuel tank.
			· Bulletin P-23-4-4	P-23-4-4-EN	Fuel Hose P/N 861057
75	861738	X	Hose		
76	961669	4	Hose clamp		
77	944485	1	Cable terminal		
78	965483	1	Flange nut		

TMD31L-A



22756

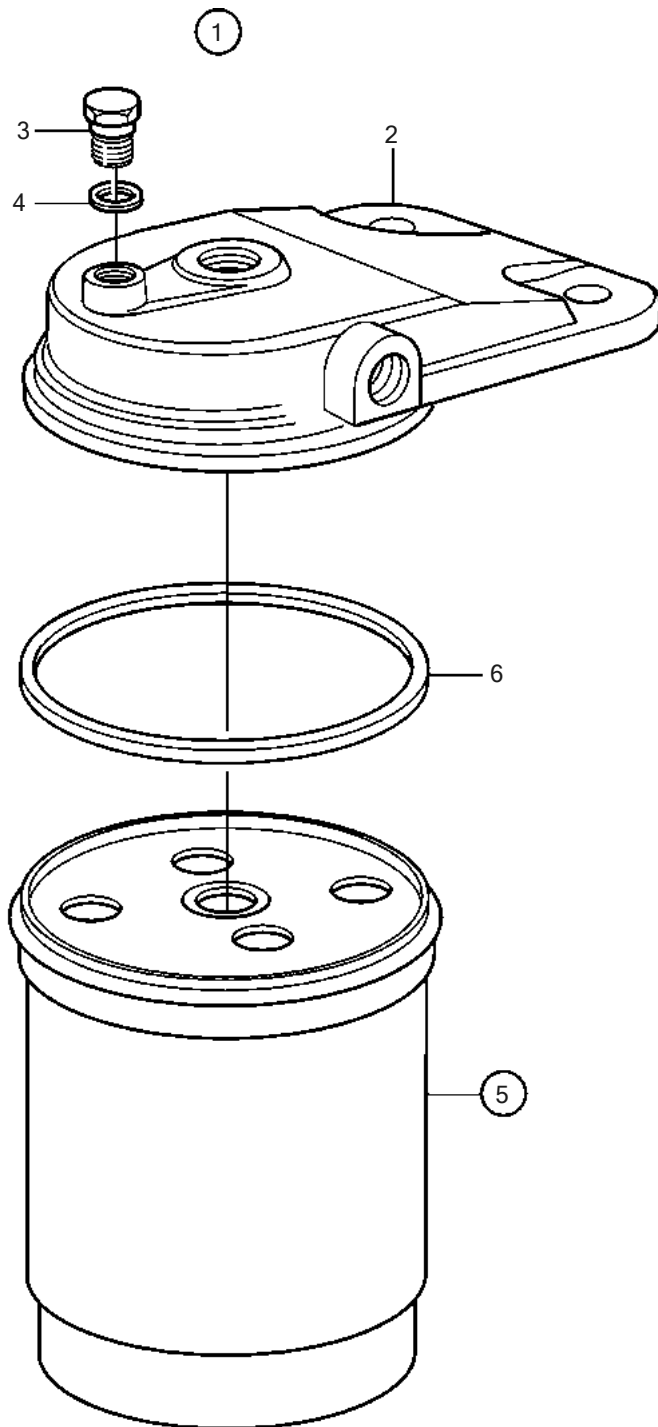
TMD31L-A

REF	PART NO.	QTY	DESCRIPTION	SEE SEC.	NOTES
1	860513	1	Injection pump		SN-2203125715 Repl by 3581579
			.		
			.	926	
	(3581579)	1	Injection pump		SN2203125716-2203135150, Obsolete part
			.		
			.	5814	
2	859601	1	Hub		
3	968971	1	O-ring		
4	953047	3	Stud		
5	191172	3	Washer		
6	945408	2	Flange nut		
		1	Hexagon nut		
7	3582310	1	Feed pump		
8	3501530	1	Gasket		
9		1	Nut		Included in fuel injection pump.
10	946173	2	Flange screw		
11	840531	1	Fuel filter		
			.		
			.	923	
12	3581698	1	Bracket		
13	965193	2	Flange screw		
14	843122	2	Spacer sleeve		
15	946329	2	Flange screw		
16		1	Washer		Included in fuel injection pump.
17	860447	1	Fuel pipe		
18	838722	1	Fuel pipe		
19	969299	1	Hollow screw		
20	11994	2	Gasket		
21	11994	2	Gasket		
22	969299	1	Hollow screw		
23	969011	4	Gasket		
24	25167	2	Hollow screw		
25	846780	1	Bracket		
26	952624	1	Clamp		
27	948746	1	Flange screw		
28	955893	1	Washer		
29	838666	1	Leak-off line		
30	947620	8	Gasket		
31	74033	4	Hollow screw		
32	859494	4	Injector		
	3803235	4	Injector, exch		
			.		
			.	925	
33	861728	4	Yoke		
34	980226	4	Stud		
35	945408	4	Flange nut		
36	946470	4	Flange screw		
37	956966	1	Ferrule		
38	956980	1	Fitting nut		
39	121563	1	Clamp		
40	946544	1	Flange screw		
41	945407	1	Flange nut		
42		1	Hollow screw		Included in fuel injection pump.
43	11994	2	Gasket		
44	838873	1	Delivery pipe		Cyl no 1
45	838874	1	Delivery pipe		Cyl no 2
46	838875	1	Delivery pipe		Cyl no 3
47	838876	1	Delivery pipe		Cyl no 4
48	8194351	2	Attaching clamp		2-pipe
49	8194353	2	Attaching clamp		4-pipe
50	861080	1	Banjo nipple		
51	3825000	2	Hose nipple		
52	861079	1	Banjo nipple		
53	860131	1	Air vent hose		
54	947620	4	Gasket		
55	74033	2	Hollow screw		
56	3581450	1	Return line		
57	956980	1	Fitting nut		
58	956966	1	Ferrule		
59	969299	1	Hollow screw		
60	11994	2	Gasket		
61		2	Hose clamp		

TMD31L-A

REF	PART NO.	QTY	DESCRIPTION	SEE SEC.	NOTES
62		X	Hose		
63	944485	1	Cable terminal		
64	965483	1	Flange nut		

AD31L-A, AD31P-A

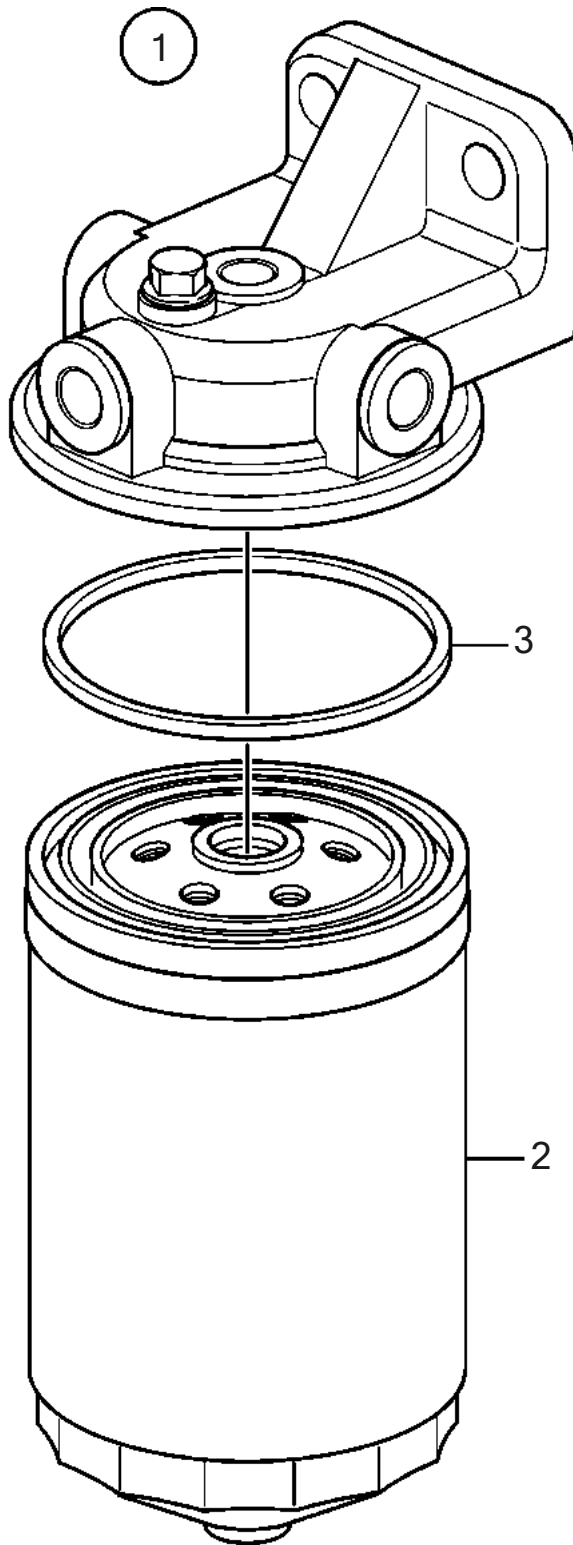


18229

AD31L-A, AD31P-A

REF	PART NO.	QTY	DESCRIPTION	NOTES
1	840531	1	Fuel filter	
2		1	• Lock	
3	240664	1	• Bleeder screw	
4	25534	1	• Gasket	
5	3825133	1	• Fuel filter	(829993)
6		1	• • Gasket	

AD41L-A, AD41P-A, D41L-A, TAM41H-A, TAM41H-B, TAM41P-A,  
TAMD41L-A, TAM41M-A, TMD41L-A



21046

**Fuel Filter**

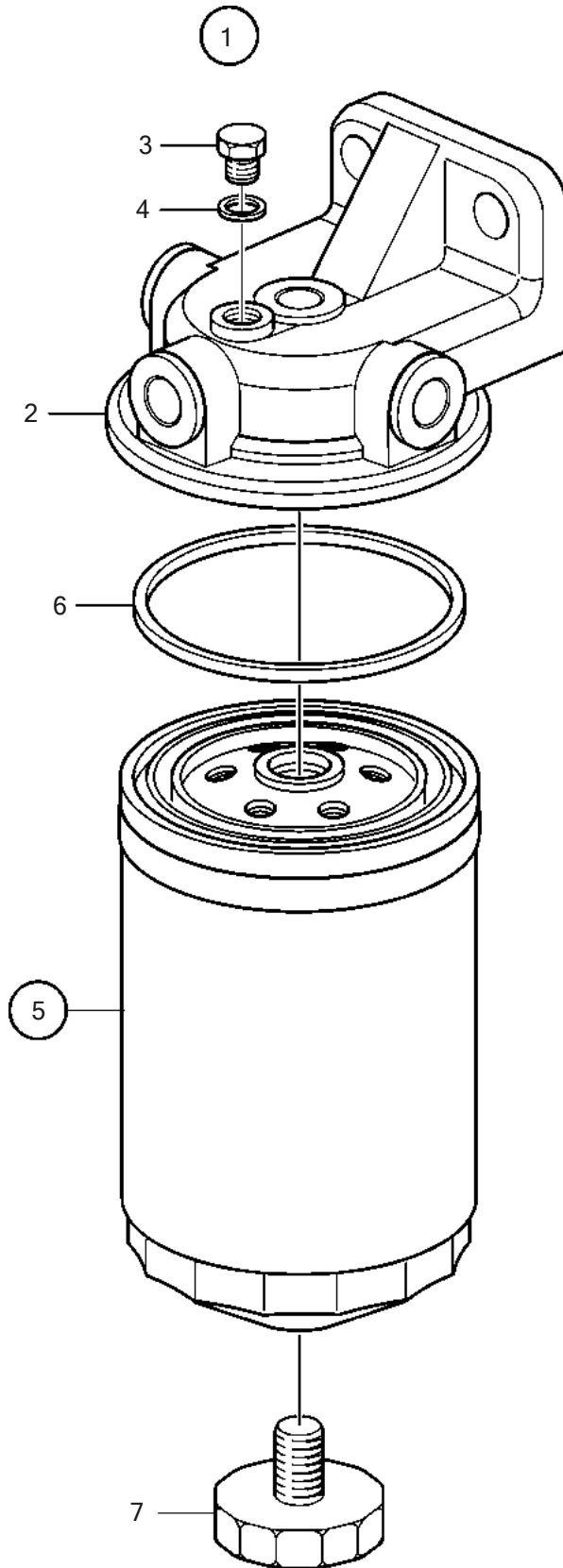
**23**

AD41L-A, AD41P-A, D41L-A, TAMD41H-A, TAMD41H-B, TAMD41P-A, TAMD41L-A,  
TAMD41M-A, TMD41L-A

REF	PART NO.	QTY	DESCRIPTION
1	3588380	1	Fuel filter
2	3588378	1	• Fuel filter
3	6638088	1	• • Gasket



D41L-A, TAMD41H-B, TMD41L-A



18228

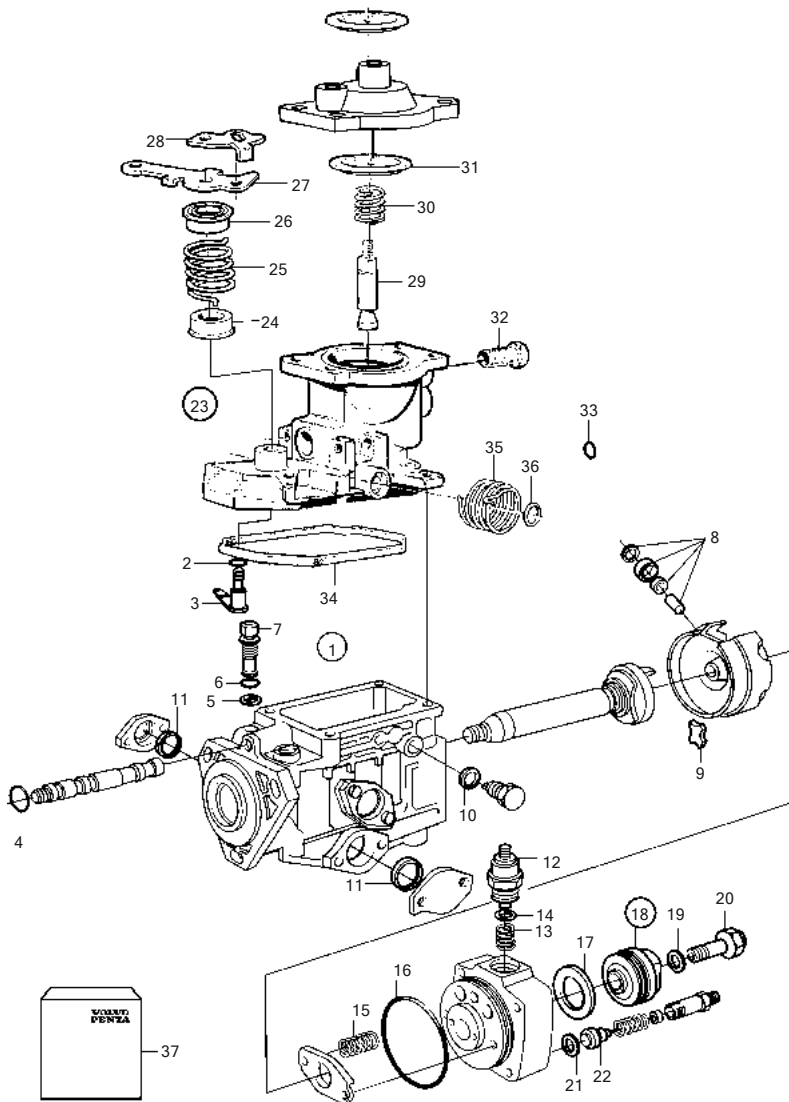
D41L-A, TAMD41H-B, TMD41L-A

REF	PART NO.	QTY	DESCRIPTION	SEE SEC.	NOTES
1	3581542	1	Fuel filter		Repl by 3588380
	3588380	1	Fuel filter	7765	
2		1	• Lock		
3	843956	1	• Plug		
4	25534	1	• Gasket		
5	3588378	1	• Fuel filter		Repl by 3840335
	3840335	1	• Fuel filter		
6	6638088	1	• • Gasket		
7	838594	1	• • Screw		

23

Fuel Injection Pump, Components: 861119

AD31L-A

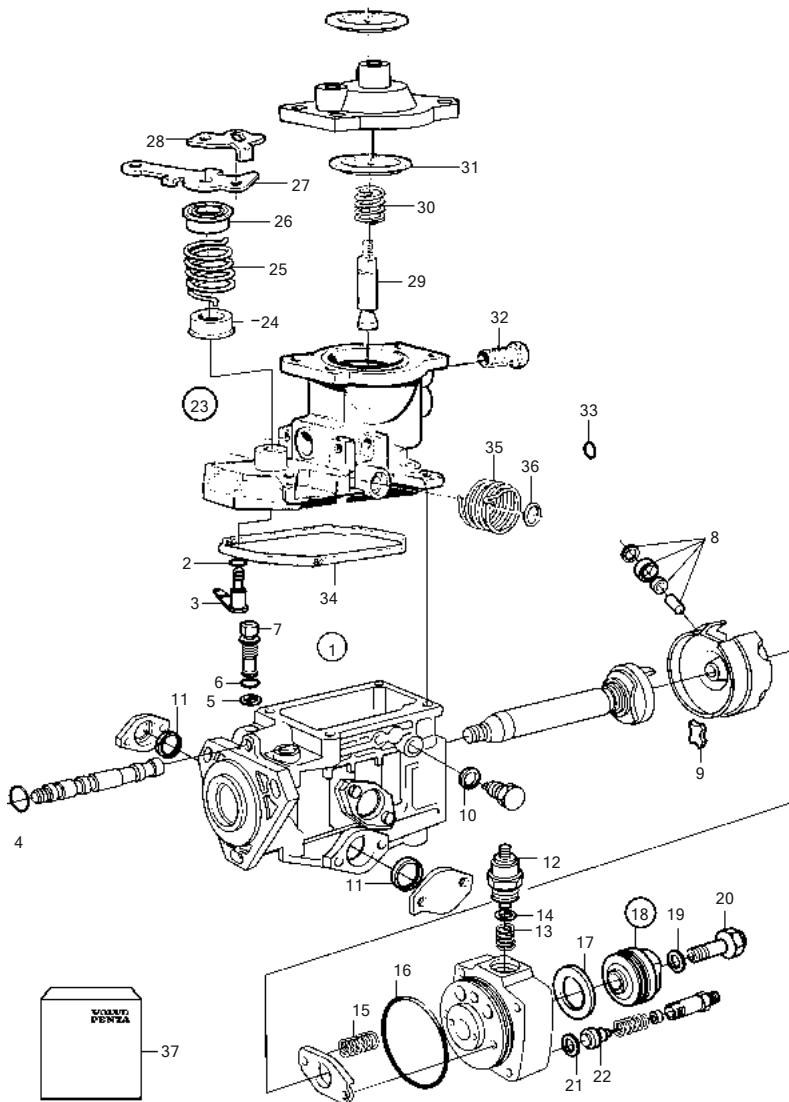


16781

AD31L-A

REF	PART NO.	QTY	DESCRIPTION	NOTES
1	861119	1	Injection pump	
2	243567		• Sealing ring	
3			• Shaft	
4		1	• O-ring	Included in gasket kit.
5	861520	1	• O-ring	Included in gasket kit.
6	243520	1	• Sealing ring	Included in gasket kit.
7	844179	1	• Valve	
8		1	• Overhaul kit	
9	844150	2	• Absorber	Included in gasket kit.
10	1699759	2	• Gasket	Included in gasket kit.
11	838445	1	• O-ring	Included in gasket kit.
12	876614	1	• Stop solenoid	12V
13	861208	1	• • Spring	
14		1	• O-ring	
15		1	• Spring kit	
16	(243555)	1	• Sealing ring	Obsolete part
17	(838402)	1	• O-ring	Obsolete part, Included in gasket kit.
18	861491	1	• Screw	
19		1	• • Gasket	
20		1	• • Screw	TH=2.00mm
21	845738	4	• Washer	TH=2,12mm
22		4	• Delivery valve	TH=2.20mm
23		1	• Governor	
24		1	• Spring disc	TH=2.40mm
25		1	• Spring	TH=2.50mm
26		1	• Spring disc	
27	244961	1	• Lever	TH=2.60mm
28	244969	1	• Lever	
29		1	• Screw	
30		1	• Compression spring	
31	244944	1	• Diaphragm	
32	844237	1	• Hollow screw	
33	244963	1	• Shim	Included in gasket kit.
34		1	• Gasket	
35	(859463)	1	• Spring	Obsolete part
36	844224	1	• O-ring	
37	844240	1	Gasket kit	

AD31P-A, TAMD31M-A

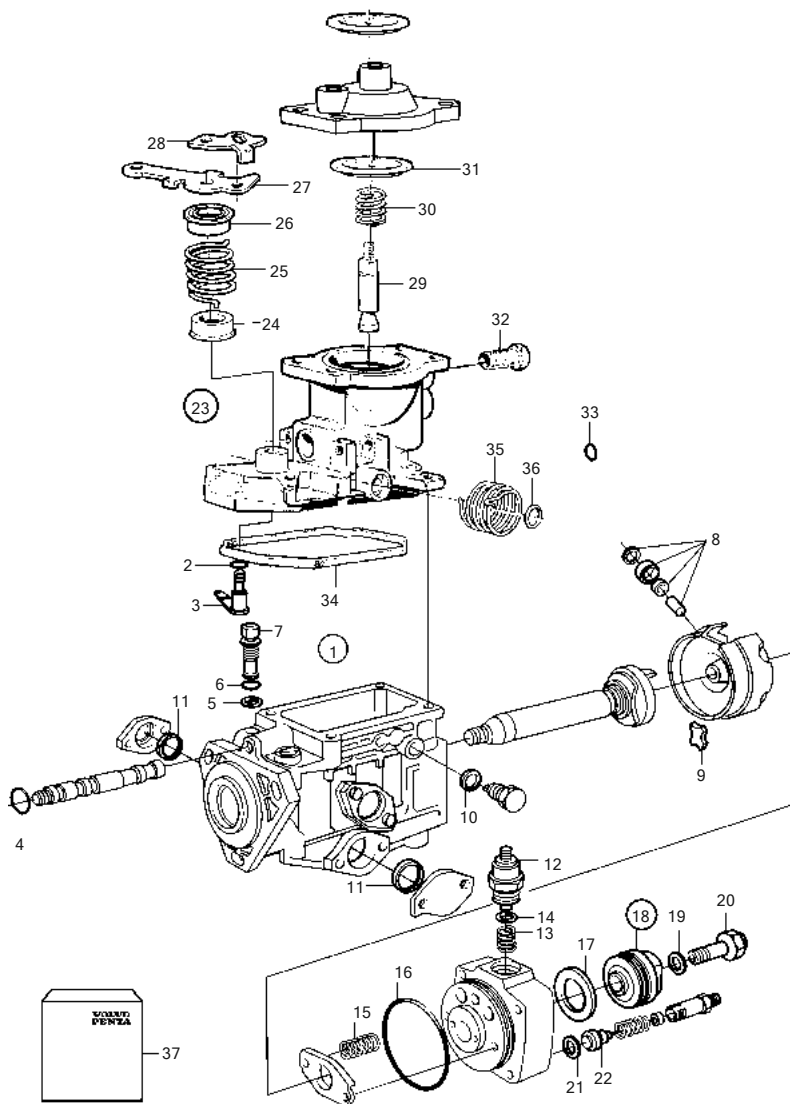


16781

AD31P-A, TAMD31M-A

REF	PART NO.	QTY	DESCRIPTION	NOTES
1	860914	1	Injection pump	
2	243567	1	• Sealing ring	
3	(244959)	1	• Shaft	Obsolete part
4	243786	1	• O-ring	Included in gasket kit.
5	861520	1	• O-ring	Included in gasket kit.
6	243520	1	• Sealing ring	Included in gasket kit.
7	(244683)	1	• Valve	Obsolete part
8	(859352)	1	• Bearing kit	Obsolete part
9	844150	2	• Absorber	Included in gasket kit.
10	1699759	2	• Gasket	Included in gasket kit.
11	838445	2	• O-ring	Included in gasket kit.
12	876614	1	• Stop solenoid	Alt, 12V
	876615	1	• Stop solenoid	Not included in complete injection pump., Alt,24V
13	861208	1	• • Spring	
14		1	• O-ring	
15	859353	1	• Spring kit	
16	(243555)	1	• Sealing ring	Obsolete part
17	(838402)	1	• O-ring	Included in gasket kit., Obsolete part
18	(844171)	1	• Fitting	Obsolete part
19	947620	1	• • Gasket	
20		1	• • Screw	
21	845738	4	• Washer	
22	244927	4	• Delivery valve	
23		1	• Governor	
24		1	• Spring disc	
25	859339	1	• Spring	
26	244972	1	• Spring disc	
27	244961	1	• Lever	
28	244969	1	• Lever	
29		1	• Screw	
30	(859348)	1	• Compression spring	Obsolete part
	(859349)	1	• Compression spring	Obsolete part
	(859350)	1	• Compression spring	Obsolete part
31	244944	1	• Diaphragm	
32	844237	1	• Hollow screw	
33	244963	1	• Shim	Included in gasket kit.
34	845785	1	• Gasket	
35	(859463)	1	• Spring	Obsolete part
36	844224	1	• O-ring	Included in gasket kit.
37	844240	1	Gasket kit	

AD41P-A



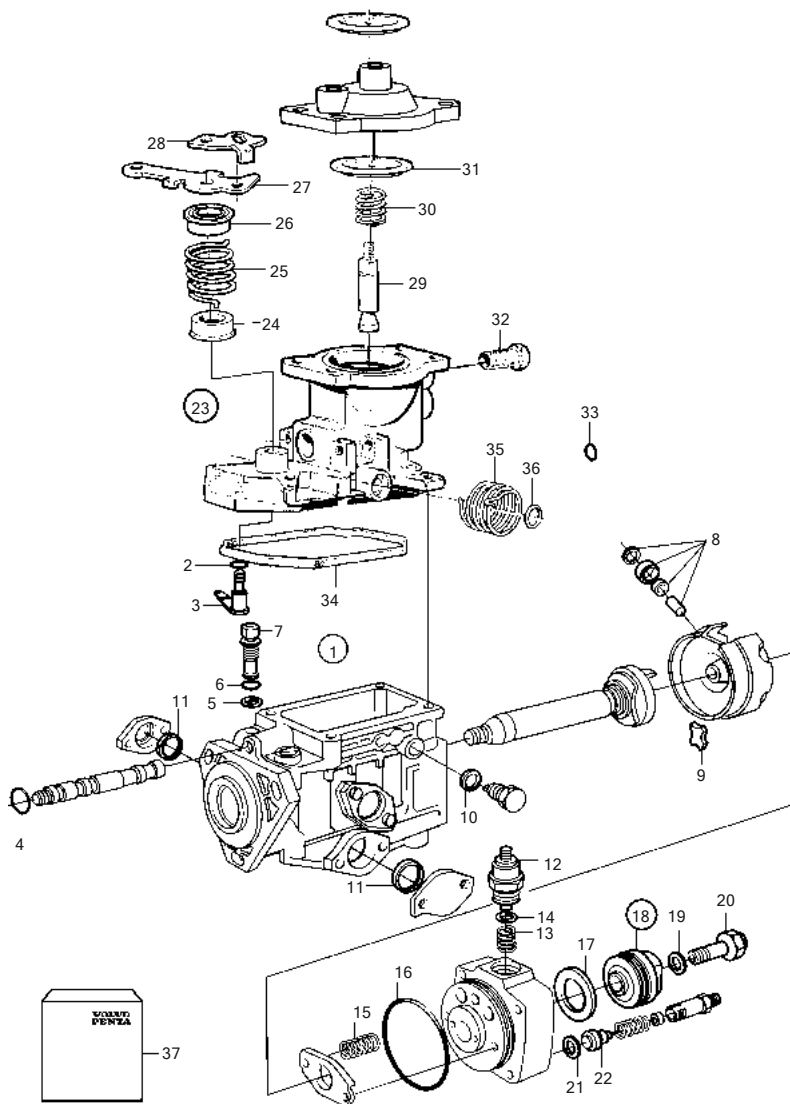
16781

AD41P-A

REF	PART NO.	QTY	DESCRIPTION	NOTES
1	(861765)	1	Injection pump	Obsolete part
2	243567	1	• Sealing ring	Included in gasket kit.
3	(244959)	1	• Shaft	Obsolete part
4	243786	1	• O-ring	Included in gasket kit.
5	861520	1	• O-ring	Included in gasket kit.
6	243520	1	• Sealing ring	Included in gasket kit.
7	(244683)	1	• Valve	Obsolete part
8	(859288)	1	• Spare parts kit	Obsolete part
9	844150	2	• Absorber	Included in gasket kit.
10	1699759	2	• Gasket	Included in gasket kit.
11	838445	2	• O-ring	Included in gasket kit.
12	876614	1	• Stop solenoid	12V
	876615	1	• Stop solenoid	Not included in complete injection pump., 24V
13	861208	1	• • Spring	
14		1	• O-ring	Included in gasket kit.
15	844164	1	• Spring kit	
16	(243555)	1	• Sealing ring	Included in gasket kit., L=36,50mm, Obsolete part
17	(838402)	1	• O-ring	Obsolete part
18	(844171)	1	• Fitting	L=36,70mm, Obsolete part
19	947620	1	• Gasket	
20		1	• Screw	
21	845738	6	• Washer	
22	244927	6	• Delivery valve	
23		1	• Governor	
24	(1699835)	1	• Spring disc	Obsolete part
25	244967	1	• Spring	
26	244972	1	• Spring disc	TH=1,80mm
27	244961	1	• Lever	TH=1,95mm
28	244969	1	• Lever	TH=2.00mm
29		1	• Screw	TH=2,12mm
30	(861436)	1	• Spring	TH=2.20mm, Obsolete part
31	244944	1	• Diaphragm	TH=2,32mm
32	844237	1	• Hollow screw	TH=2.40mm
33	244963	1	• Shim	Included in gasket kit., TH=2.50mm
34	845785	1	• Gasket	TH=2,52mm
35	(859463)	1	• Spring	TH=2.80mm, Obsolete part
36	844224	1	• O-ring	
37	844240	1	Gasket kit	



AD41P-A, TAMD41P-A

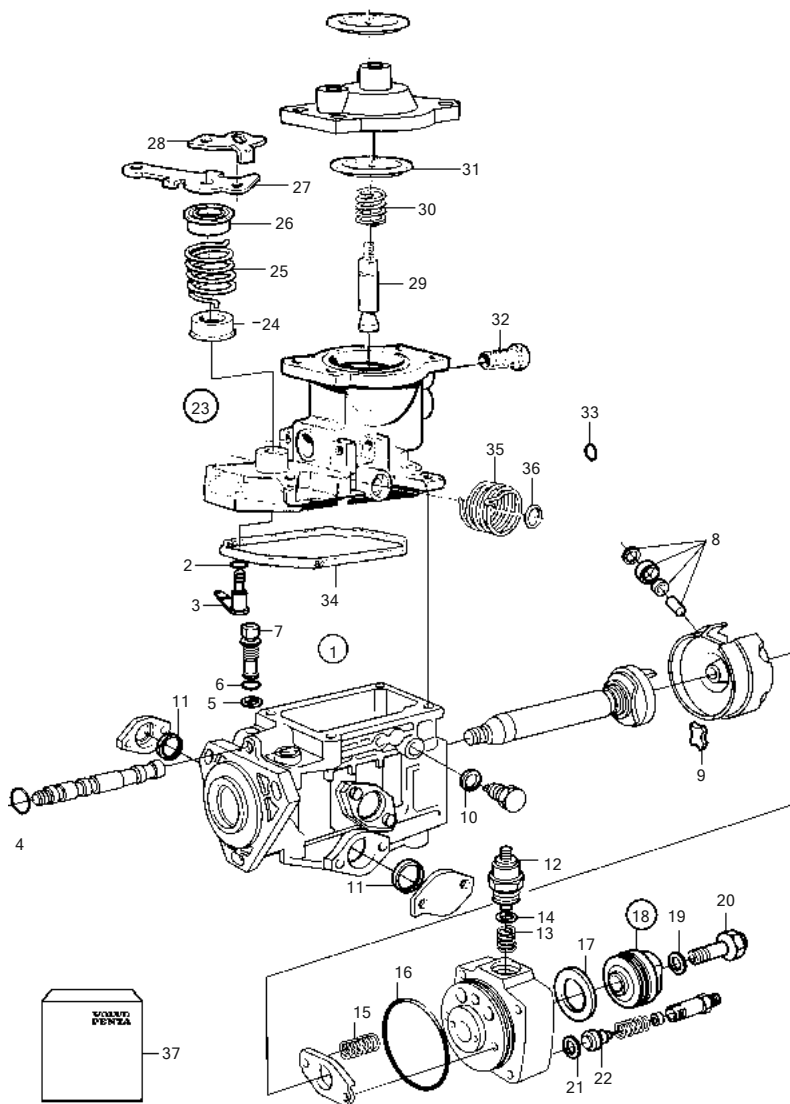


16781

AD41P-A, TAM41P-A

REF	PART NO.	QTY	DESCRIPTION	NOTES
1	860270	1	Injection pump	
2	243567	1	• Sealing ring	Included in gasket kit.
3	(244959)	1	• Shaft	Obsolete part
4		1	• O-ring	Included in gasket kit.
5	861520	1	• O-ring	Included in gasket kit.
6	243520	1	• Sealing ring	Included in gasket kit.
7	859286	1	• Valve	
8	(859288)	1	• Spare parts kit	Obsolete part
9	844150	2	• Absorber	Included in gasket kit.
10		2	• Washer	Included in gasket kit.
11	838445	2	• O-ring	Included in gasket kit.
12	876614	1	• Stop solenoid	
13	861208	1	• • Spring	
14	243572	1	• O-ring	Included in gasket kit.
15			• Spring	
16	(243555)	1	• Sealing ring	Included in gasket kit., Obsolete part
17	(838402)	1	• O-ring	Obsolete part
18		1	• Fitting	
19		1	• • Gasket	
20		1	• • Screw	
21	(244930)	6	• Retainer	Obsolete part
22	244927	6	• Delivery valve	
23		1	• Governor	
24		1	• Spring disc	
25		1	• Spring	
26		1	• Spring disc	
27	244961	1	• Lever	
28	244969	1	• Lever	
29		1	• Screw	
30	859282	1	• Compression spring	
31	244944	1	• Diaphragm	
32	844237	1	• Hollow screw	
33	244963	1	• Shim	Included in gasket kit.
34		1	• Gasket	
35	(859463)	1	• Spring	Obsolete part
36	844224	1	• O-ring	Included in gasket kit.
37	844240	1	• Gasket kit	

D41L-A, TMD41L-A

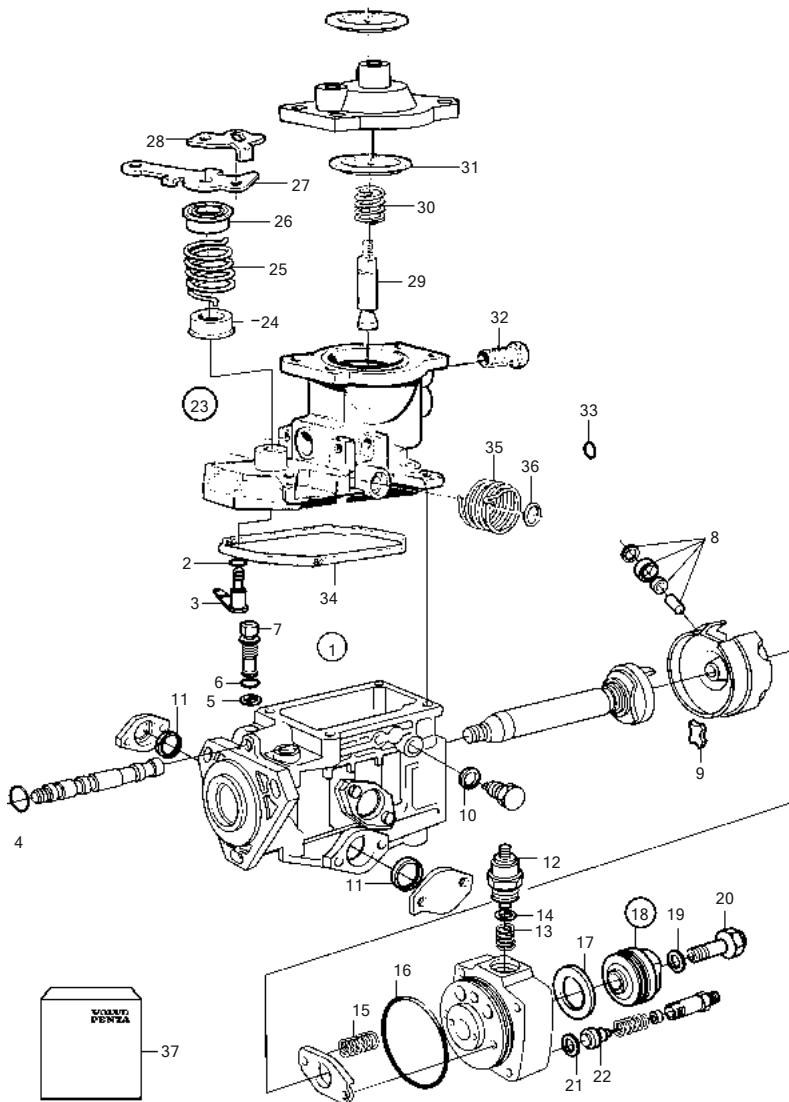


16781

D41L-A, TMD41L-A

REF	PART NO.	QTY	DESCRIPTION	NOTES
1	(861315)	1	Injection pump	Obsolete part
2	243567	1	• Sealing ring	Included in gasket kit.
3	(244959)	1	• Shaft	Obsolete part
4	243786	1	• O-ring	Included in gasket kit.
5	861520	1	• O-ring	Included in gasket kit.
6	243520	1	• Sealing ring	Included in gasket kit.
7	844179	1	• Valve	
8		1	• Bearing	
9	844150	2	• Absorber	Included in gasket kit.
10		2	• Washer	Included in gasket kit.
11	838445	2	• O-ring	Included in gasket kit.
12	876614	1	• Stop solenoid	12V
13	861208	1	• • Spring	
14		1	• O-ring	Included in gasket kit.
15	(859482)	1	• Compression spring	Obsolete part
16	(243555)	1	• Sealing ring	Included in gasket kit., Obsolete part
17	(838402)	1	• O-ring	Obsolete part
18	861491	1	• Screw	
19		1	• Gasket	
20		1	• Screw	
21	845738	6	• Washer	
22		6	• Delivery valve	
23		1	• Governor	
24		1	• Spring disc	
25	244967	1	• Spring	
26	244972	1	• Spring disc	
27	244961	1	• Lever	TH=1,80mm
28	244969	1	• Lever	TH=1,95mm
29		1	• Adjusting screw	TH=2.00mm
30	(861436)	1	• Spring	TH=2,12mm, Obsolete part
31	244944	1	• Diaphragm	TH=2.20mm
32	861514	1	• Hollow screw	TH=2,32mm
33	244963	1	• Shim	Included in gasket kit., TH=2.40mm
34		1	• Gasket	TH=2.50mm
35	(859463)	1	• Spring	TH=2,52mm, Obsolete part
36	844224	1	• O-ring	Included in gasket kit., TH=2.80mm
37	844240	1	Gasket kit	

TAMD31L-A

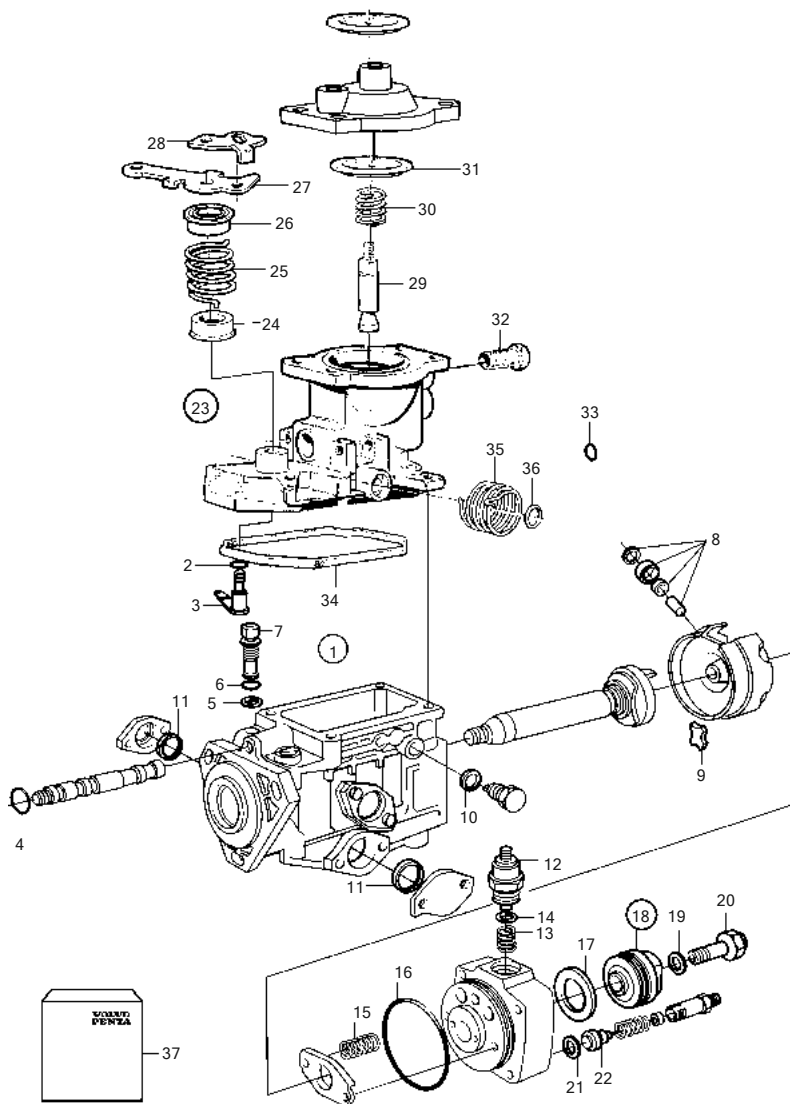


16781

TAMD31L-A

REF	PART NO.	QTY	DESCRIPTION	NOTES
1	860513	1	Injection pump	
2	243567	1	• Sealing ring	Included in gasket kit.
3	(244959)	1	• Shaft	Obsolete part
4	243786	1	• O-ring	Included in gasket kit.
5	861520	1	• O-ring	Included in gasket kit.
6	243520	2	• Sealing ring	Included in gasket kit.
7	(244683)	1	• Valve	Obsolete part
8	(859352)	1	• Bearing kit	Obsolete part
9	844150	1	• Absorber	
10	1699759	1	• Gasket	
11	838445	2	• O-ring	Included in gasket kit.
12	876614	1	• Stop solenoid	12V
13	861208	1	• • Spring	
14		1	• O-ring	
15	859353	1	• Spring kit	
16	(243555)	1	• Sealing ring	Included in gasket kit., Obsolete part
17	(838402)	1	• O-ring	Obsolete part
18	(844171)	1	• Fitting	Obsolete part
19	947620	1	• • Gasket	
20		1	• • Screw	
21	845738	4	• Washer	
22	244927	4	• Delivery valve	
23		1	• Governor	
24		1	• Spring disc	
25	859339	1	• Spring	
26	244972	1	• Spring disc	
27	244961	1	• Lever	
28	244969	1	• Lever	
29		1	• Screw	
30	(859348)	1	• Compression spring	Obsolete part
	(859349)	1	• Compression spring	Obsolete part
	(859350)	1	• Compression spring	Obsolete part
31	244944	1	• Diaphragm	
32	844237	1	• Hollow screw	
33	244963	1	• Shim	Included in gasket kit.
34	845785	1	• Gasket	
35	(859463)	1	• Spring	Obsolete part
36	844224	1	• O-ring	Included in gasket kit.
37	844240	1	Gasket kit	

TAMD41H-A, TAMD41H-B, TAMD41P-A, TAMD41L-A, TAMD41M-A



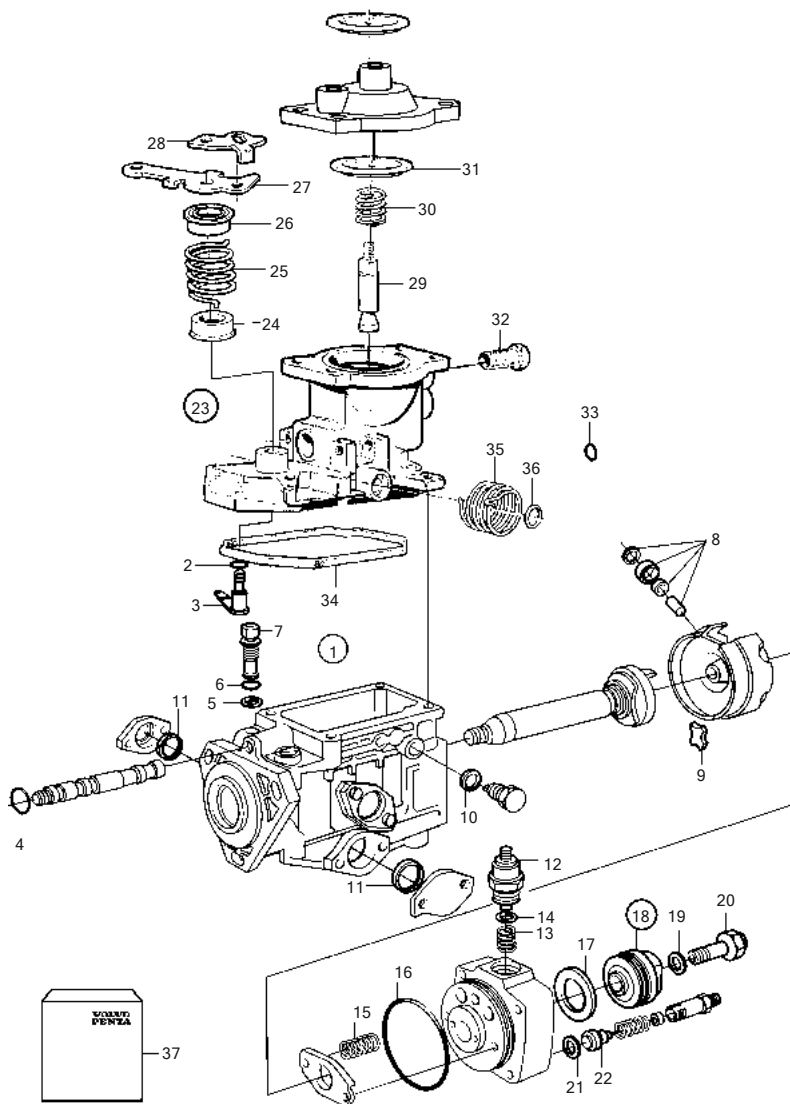
16781

TAMD41H-A, TAMD41H-B, TAMD41P-A, TAMD41L-A, TAMD41M-A

REF	PART NO.	QTY	DESCRIPTION	NOTES
1	860915	1	Injection pump	
2	243567	1	• Sealing ring	Included in gasket kit.
3	(244959)	1	• Shaft	Obsolete part
4	243786	1	• O-ring	Included in gasket kit.
5	861520	1	• O-ring	Included in gasket kit.
6	243520	1	• Sealing ring	Included in gasket kit.
7	(244683)	1	• Valve	Obsolete part
8	(859288)	1	• Spare parts kit	Obsolete part
9	844150	2	• Absorber	Included in gasket kit.
10	1699759	2	• Gasket	Included in gasket kit.
11	838445	1	• O-ring	Included in gasket kit.
12	876614	1	• Stop solenoid	12V
13	861208	1	• • Spring	
14		1	• O-ring	Included in gasket kit.
15	844164	1	• Spring kit	
16	(243555)	1	• Sealing ring	Included in gasket kit., Obsolete part
17	(838402)	1	• O-ring	L=36,50mm, Obsolete part
18	(844171)	1	• Fitting	Obsolete part
19	947620	1	• Gasket	L=36,70mm
20		1	• Screw	
21	845738	6	• Washer	
22	244927	6	• Delivery valve	
23		1	• Governor	
24	(1699835)	1	• Spring disc	Obsolete part
25	244967	1	• Spring	
26	244972	1	• Spring disc	
27	244961	1	• Lever	TH=1,80mm
28	244969	1	• Lever	TH=1,95mm
29		1	• Screw	TH=2.00mm
30	(859293)	1	• Compression spring	TH=2,12mm, Obsolete part
	(859294)	1	• Compression spring	TH=2.20mm, Obsolete part
	(859295)	1	• Compression spring	TH=2,32mm, Obsolete part
31	244944	1	• Diaphragm	TH=2.40mm
32	844237	1	• Hollow screw	TH=2.50mm
33	244963	1	• Shim	Included in gasket kit., TH=2,52mm
34	845785	1	• Gasket	TH=2.80mm
35	(859463)	1	• Spring	Obsolete part
36	844224	1	• O-ring	Included in gasket kit.
37	844240	1	Gasket kit	



TAMD41H-A, TAMD41L-A

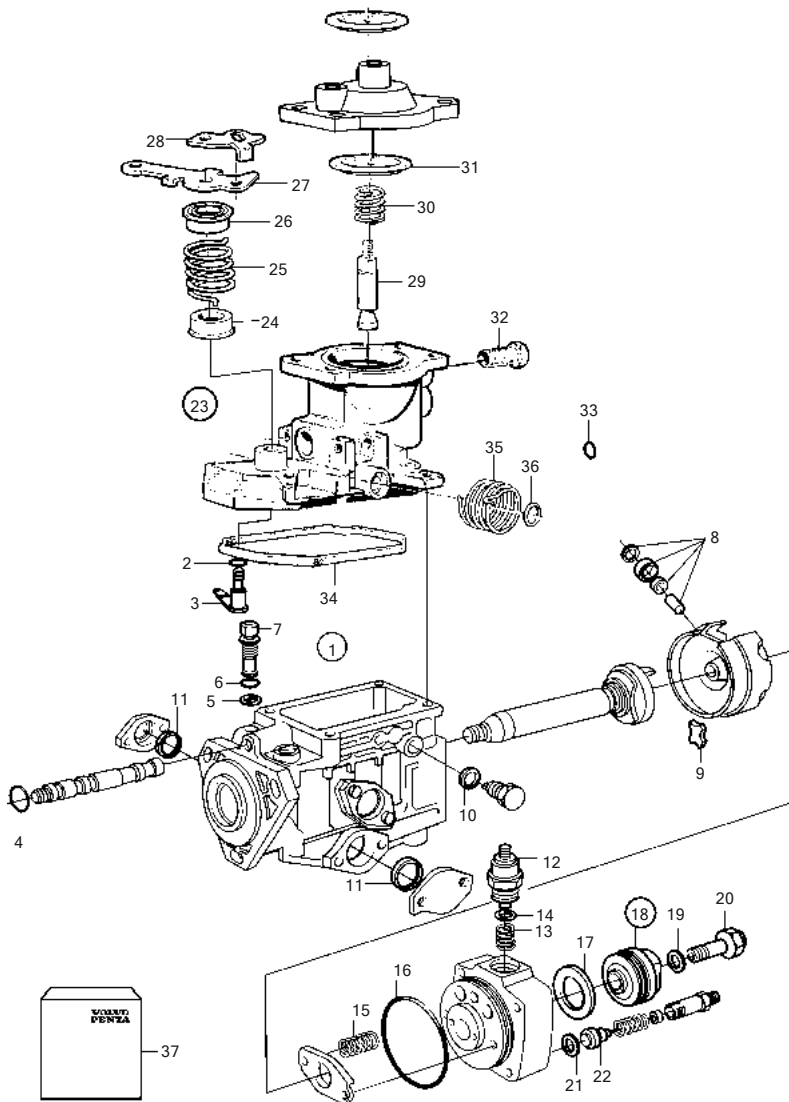


16781

TAMD41H-A, TAMD41L-A

REF	PART NO.	QTY	DESCRIPTION	NOTES
1	861316	1	Injection pump	
2	243567	1	• Sealing ring	Included in gasket kit.
3	(244959)	1	• Shaft	Obsolete part
4	243786	1	• O-ring	Included in gasket kit.
5	861520	1	• O-ring	Included in gasket kit.
6	243520	1	• Sealing ring	Included in gasket kit.
7	844179	1	• Valve	
8		1	• Bearing	
9	844150	2	• Absorber	Included in gasket kit.
10		2	• Washer	Included in gasket kit.
11	838445	2	• O-ring	Included in gasket kit.
12	876614	1	• Stop solenoid	12V
13	861208	1	• • Spring	
14		1	• O-ring	Included in gasket kit.
15	(859482)	1	• Compression spring	Obsolete part
16	(243555)	1	• Sealing ring	Included in gasket kit., Obsolete part
17	(838402)	1	• O-ring	Obsolete part
18	861491	1	• Screw	
19		1	• O-ring	
20		1	• Screw	
21	845738	6	• Washer	
22		6	• Delivery valve	
23		1	• Governor	
24		1	• Spring disc	
25	244967	1	• Spring	
26	244972	1	• Spring disc	
27	244961	1	• Lever	TH=1,80mm
28	244969	1	• Lever	TH=1,95mm
29		1	• Screw	TH=2.00mm
30	859283	1	• Compression spring	TH=2,12mm
31	244944	1	• Diaphragm	TH=2.20mm
32	861514	1	• Hollow screw	TH=2,32mm
33	244963	1	• Shim	Included in gasket kit., TH=2.40mm
34		1	• Gasket	TH=2.50mm
35	(859463)	1	• Spring	TH=2,52mm, Obsolete part
36	844224	1	• O-ring	TH=2.80mm
37	844240	1	Gasket kit	

TAMD41P-A

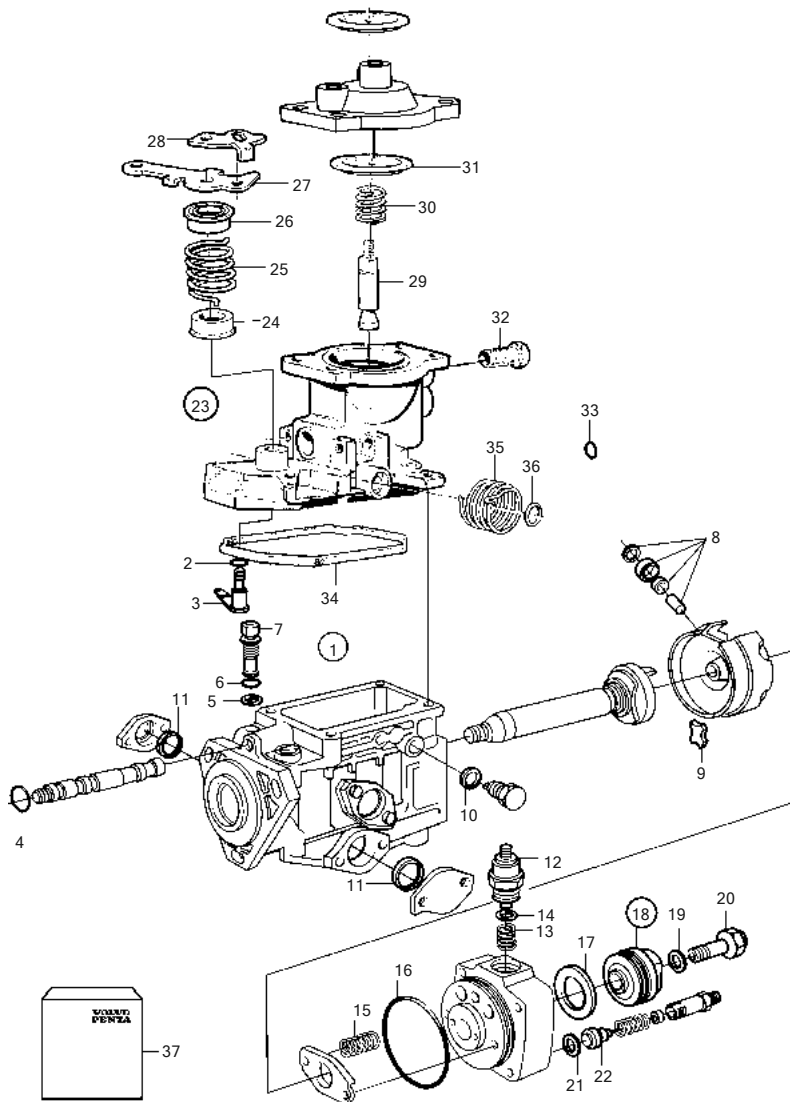


16781

TAMD41P-A

REF	PART NO.	QTY	DESCRIPTION	NOTES
1	861102	1	Injection pump	
2	243567	1	• Sealing ring	Included in gasket kit.
3	(244959)	1	• Shaft	Obsolete part
4	243786	1	• O-ring	Included in gasket kit.
5	861520	1	• O-ring	Included in gasket kit.
6	243520	1	• Sealing ring	Included in gasket kit.
7	844179	1	• Valve	
8		1	• Bearing	
9	844150	2	• Absorber	Included in gasket kit.
10		2	• Washer	Included in gasket kit.
11	838445	1	• O-ring	Included in gasket kit.
12	876614	1	• Stop solenoid	12V
13	861208	1	• • Spring	
14		1	• O-ring	Included in gasket kit.
15	(859482)	1	• Compression spring	Obsolete part
16	(243555)	1	• Sealing ring	Included in gasket kit., Obsolete part
17	(838402)	1	• O-ring	Obsolete part
18		1	• Plug	
19		1	• O-ring	
20		1	• Screw	
21	845738	6	• Washer	
22		6	• Delivery valve	
23		1	• Governor	
24		1	• Spring disc	
25	244967	1	• Spring	
26	244972	1	• Spring disc	
27	244961	1	• Lever	TH=1,80mm
28	244969	1	• Lever	TH=1,95mm
29		1	• Screw	TH=2.00mm
30		1	• Spring	TH=2,12mm
31	244944	1	• Diaphragm	TH=2.20mm
32	861514	1	• Hollow screw	TH=2,32mm
33	244963	1	• Shim	Included in gasket kit., TH=2.40mm
34		1	• Gasket	TH=2.50mm
35	(859463)	1	• Spring	TH=2,52mm, Obsolete part
36	844224	1	• O-ring	Included in gasket kit., TH=2.80mm
37	844240	1	Gasket kit	

TMD31L-A

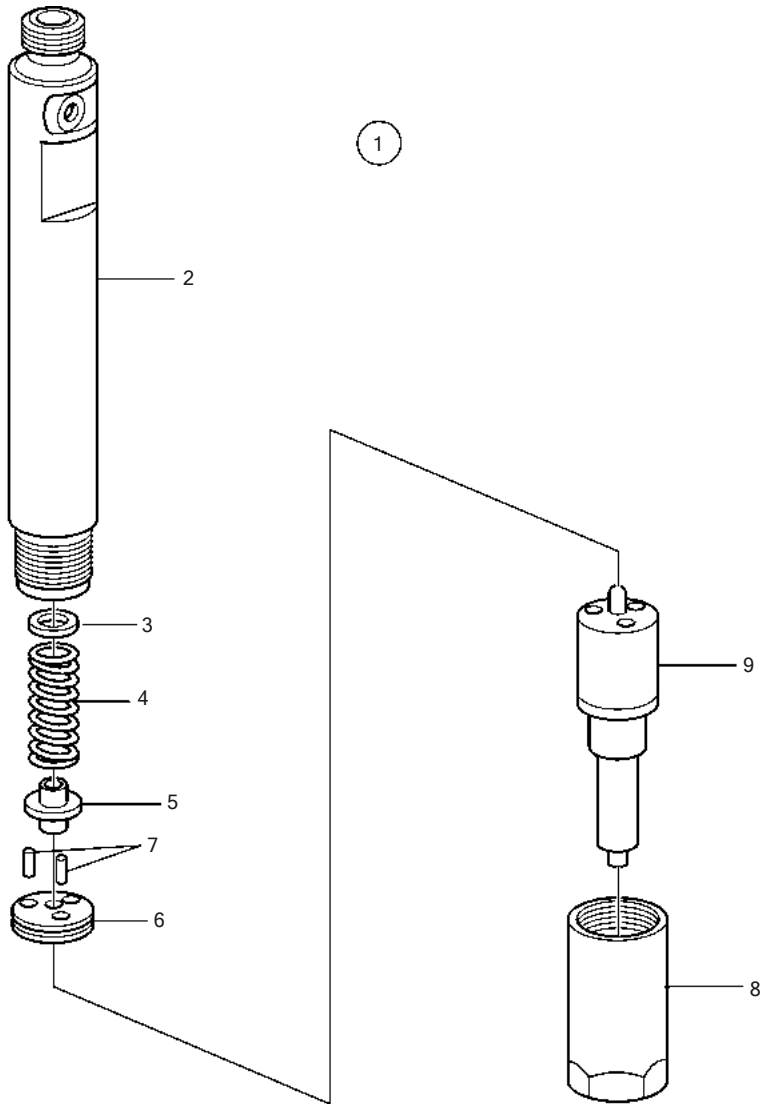


16781

TMD31L-A

REF	PART NO.	QTY	DESCRIPTION	NOTES
1	(3581579)	1	Injection pump	Obsolete part
2	243567	1	• Sealing ring	Included in gasket kit.
3	(244959)	1	• Shaft	Obsolete part
4		1	• O-ring	
5	861520	1	• O-ring	Included in gasket kit.
6	243520	1	• Sealing ring	Included in gasket kit.
7	844179	1	• Valve	
8		1	• Overhaul kit	
9	(3582489)	1	• Absorber	Obsolete part
10	1699759	1	• Gasket	
11	838445	2	• O-ring	Included in gasket kit.
12		1	• Stop solenoid	12V
13	861208	1	• • Spring	
14	243572	1	• O-ring	
15		1	• Spring kit	
16	(243555)	1	• Sealing ring	Included in gasket kit., Obsolete part
17	(838402)	1	• O-ring	Obsolete part
18	861491	1	• Screw	
19		1	• • Gasket	
20		1	• • Screw	
21	845738	4	• Washer	
22	(859335)	4	• Delivery valve	Obsolete part
23		1	• Governor	
24		1	• Spring disc	
25		1	• Spring	
26		1	• Spring disc	
27		1	• Lever	
28		1	• Lever	
29		1	• Screw	
30		1	• Compression spring	
31		1	• Diaphragm	
32		1	• Screw	
33		1	• O-ring	
34		1	• Gasket	
35	(859462)	1	• Spring	Obsolete part
36	3582602	1	• O-ring	Included in gasket kit.
37	3582603	1	Gasket kit	

AD31L-A, AD31P-A, AD41L-A, AD41P-A, TAMD31L-A, TAMD31M-A,  
 TAMD31P-A, TAMD31S-A, TAMD41H-A, TAMD41P-A, TAMD41L-A,  
 TAMD41M-A



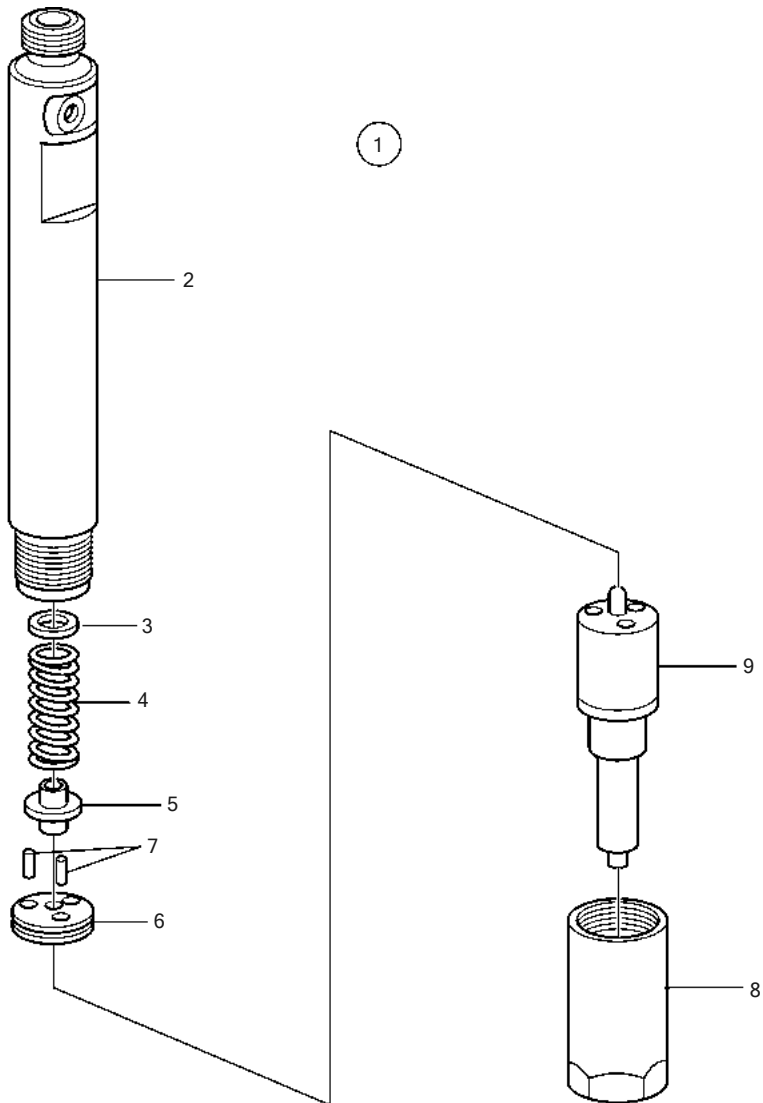
18242

AD31L-A, AD31P-A, AD41L-A, AD41P-A, TAMD31L-A, TAMD31M-A, TAMD31P-A, TAMD31S-A, TAMD41H-A, TAMD41P-A, TAMD41L-A, TAMD41M-A

REF	PART NO.	QTY	DESCRIPTION	NOTES
1	861103	1	Injector	
	3803238	1	Injector, exch	
2		1	• Nozzle retainer	
3	243467	X	• • Adjusting washer	TH=1,00mm
	243468	X	• • Adjusting washer	TH=1,05mm
	11705718	X	• • Shim	TH=1,08mm
	243469	X	• • Adjusting washer	TH=1,10mm
	243470	X	• • Adjusting washer	TH=1,15mm
	11705722	X	• • Shim	TH=1,20mm
	3830388	X	• • Spacer	TH=1,24mm
	11705724	X	• • Shim	TH=1,28mm
	11705725	X	• • Adjusting washer	TH=1,30mm
	11705726	X	• • Shim	TH=1,35mm
	243475	X	• • Adjusting washer	TH=1,40mm
	243476	X	• • Adjusting washer	TH=1,45mm
	6885727	X	• • Shim	TH=1,48mm
	11705731	X	• • Adjusting washer	TH=1,50mm
	243478	X	• • Adjusting washer	TH=1,55mm
	11705734	X	• • Adjusting washer	TH=1,60mm
	243480	X	• • Adjusting washer	TH=1,65mm
	6885730	X	• • Shim	TH=1,68mm
	11705737	X	• • Adjusting washer	TH=1,70mm
	243482	X	• • Adjusting washer	TH=1,75mm
	11705740	X	• • Shim	TH=1,80mm
	6885739	X	• • Shim	TH=1,84mm
	6885740	X	• • Shim	TH=1,88mm
	243485	X	• • Adjusting washer	TH=1,90mm
	243486	X	• • Adjusting washer	TH=1,95mm
4	6885720	1	• • Compression spring	
5		1	• • Pressure bolt	
6		1	• • Washer	
7	244907	2	• • Locating pin	
8	243489	1	• • Nut	
9	861117	1	• Nozzle	



AD41L-A, AD41P-A, TAMD31L-A, TAMD31M-A

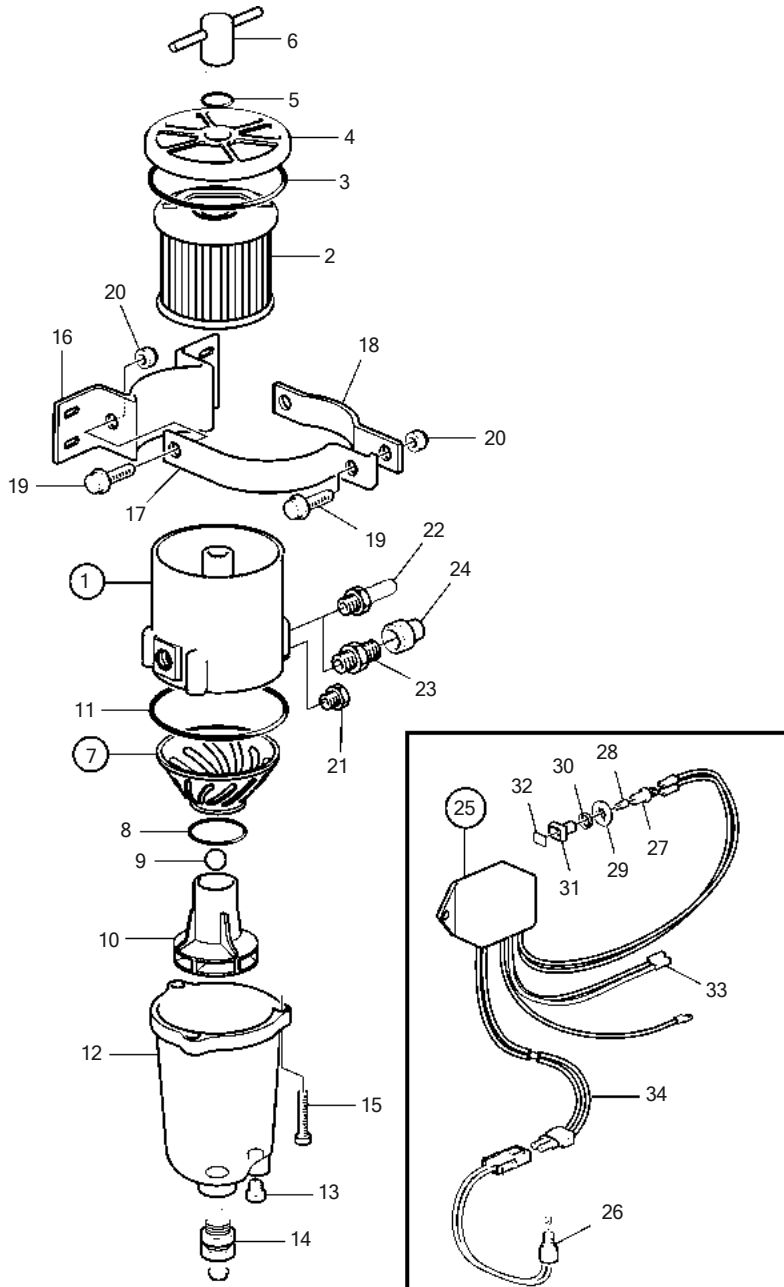


18242

AD41L-A, AD41P-A, TAMD31L-A, TAMD31M-A

REF	PART NO.	QTY	DESCRIPTION	NOTES
1	859494	1	Injector	
	3803235	1	Injector, exch	
2		1	• Nozzle retainer	
3	243467	X	• • Adjusting washer	TH=1,00mm
	243468	X	• • Adjusting washer	TH=1,05mm
	11705718	X	• • Shim	TH=1,08mm
	243469	X	• • Adjusting washer	TH=1,10mm
	243470	X	• • Adjusting washer	TH=1,15mm
	11705722	X	• • Shim	TH=1,20mm
	3830388	X	• • Spacer	TH=1,24mm
	11705724	X	• • Shim	TH=1,28mm
	11705725	X	• • Adjusting washer	TH=1,30mm
	11705726	X	• • Shim	TH=1,35mm
	243475	X	• • Adjusting washer	TH=1,40mm
	243476	X	• • Adjusting washer	TH=1,45mm
	6885727	X	• • Shim	TH=1,48mm
	11705731	X	• • Adjusting washer	TH=1,50mm
	243478	X	• • Adjusting washer	TH=1,55mm
	11705734	X	• • Adjusting washer	TH=1,60mm
	243480	X	• • Adjusting washer	TH=1,65mm
	6885730	X	• • Shim	TH=1,68mm
	11705737	X	• • Adjusting washer	TH=1,70mm
	243482	X	• • Adjusting washer	TH=1,75mm
	11705740	X	• • Shim	TH=1,80mm
	6885739	X	• • Shim	TH=1,84mm
	6885740	X	• • Shim	TH=1,88mm
	243485	X	• • Adjusting washer	TH=1,90mm
	243486	X	• • Adjusting washer	TH=1,95mm
4	6885720	1	• • Compression spring	
5		1	• • Pressure bolt	
6		1	• • Washer	
7	244907	2	• • Locating pin	
8	243489	1	• • Nut	
9	859782	1	• Nozzle	

AD31L-A, AD31P-A, AD41L-A, AD41P-A, D41L-A, TAMD31L-A, TAMD31M-A, TAMD31P-A, TAMD31S-A, TAMD41H-A, TAMD41H-B, TAMD41P-A, TAMD41L-A, TAMD41M-A, TMD31L-A, TMD41L-A

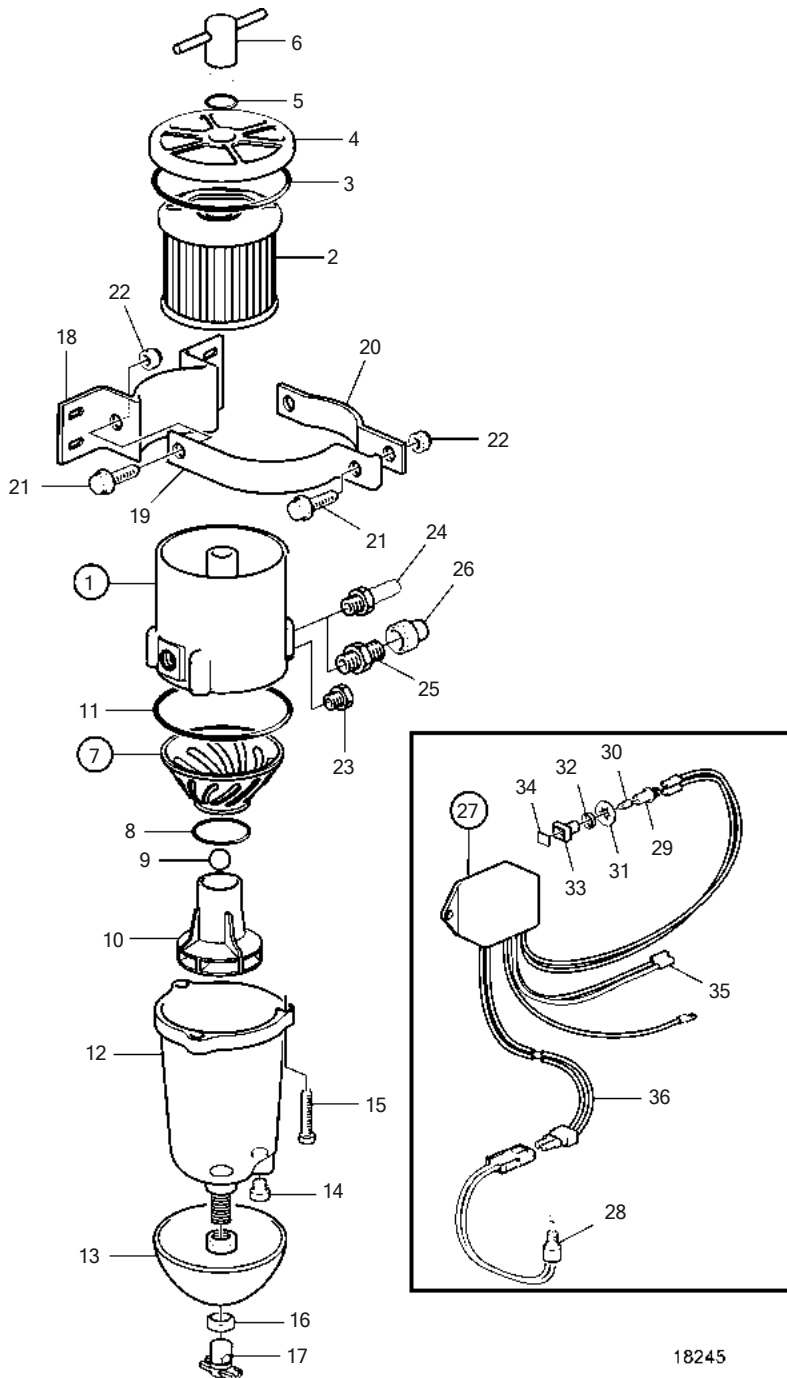


18244

AD31L-A, AD31P-A, AD41L-A, AD41P-A, D41L-A, TAMD31L-A, TAMD31M-A, TAMD31P-A, TAMD31S-A, TAMD41H-A, TAMD41H-B, TAMD41P-A, TAMD41L-A, TAMD41M-A, TMD31L-A, TMD41L-A

REF	PART NO.	QTY	DESCRIPTION	SEE SEC.	NOTES
1	861143	1	Fuel filter		Repl by 877762
			• Bulletin 50-03	50-03-EN	Extra Fuel/Water Separators, D2010, D22
			• Bulletin 50-10	50-10-EN	Changes in Fuel Filter Program due to Legislation
			• Bulletin 50-11A	50-11A-EN	Fuel Filters / Water Separators
1	877762	1	Fuel filter		
			• Bulletin P-44-5-18	P-44-5-18-EN	Water in Fuel Alarm for fuel pre-filters
1			•		
			•	9024	
2	1147147	1	• Fuel filter insert		2 mikron
	861014	1	• Insert		10 mikron, Std
	3581760	1	• Insert		30 mikron
3	838504	1	• Gasket		
4		1	• Lock		
5	838505	1	• O-ring		
6		1	• Handle		
7	861455	1	• O-ring		
8		1	• • O-ring		
9		1	• • Ball		
10		1	• • Insert		
11	3838861	1	• • Gasket		(838502)
12	3838848	1	• Bowl		(861453)
13		1	• Plug		
14	861456	1	• Faucet		
15	950024	4	• Cross recessed screw		
16		1	• Bracket		
17		1	• Clamp		
18		1	• Clamp		
19		3	• Screw		
20		3	• Nut		
21		1	• Plug		
22	3825000	X	Hose nipple		(834781)
23	954337	X	Nipple		
24	954323	X	Fitting nut		
25	1140724	1	Level guard		
26	3588916	1	• Alarm kit		
27	808175	1	• Lamp socket		
28	19923	1	• Bulb		12V, 2W
	182059	1	• Bulb		24V, 3W
29	967583	1	• Retainer		
30	829714	1	• Sealing ring		
31	838455	1	• Retainer		
32	872591	1	• Symbol strip		
33		X	• cables and terminals	1963	
34	881774	1	Wiring harness		

AD31L-A, AD31P-A, AD41L-A, AD41P-A, D41L-A, TAMD31L-A, TAMD31M-A,  
TAMD31P-A, TAMD31S-A, TAMD41H-A, TAMD41H-B, TAMD41P-A,  
TAMD41L-A, TAMD41M-A, TMD31L-A, TMD41L-A

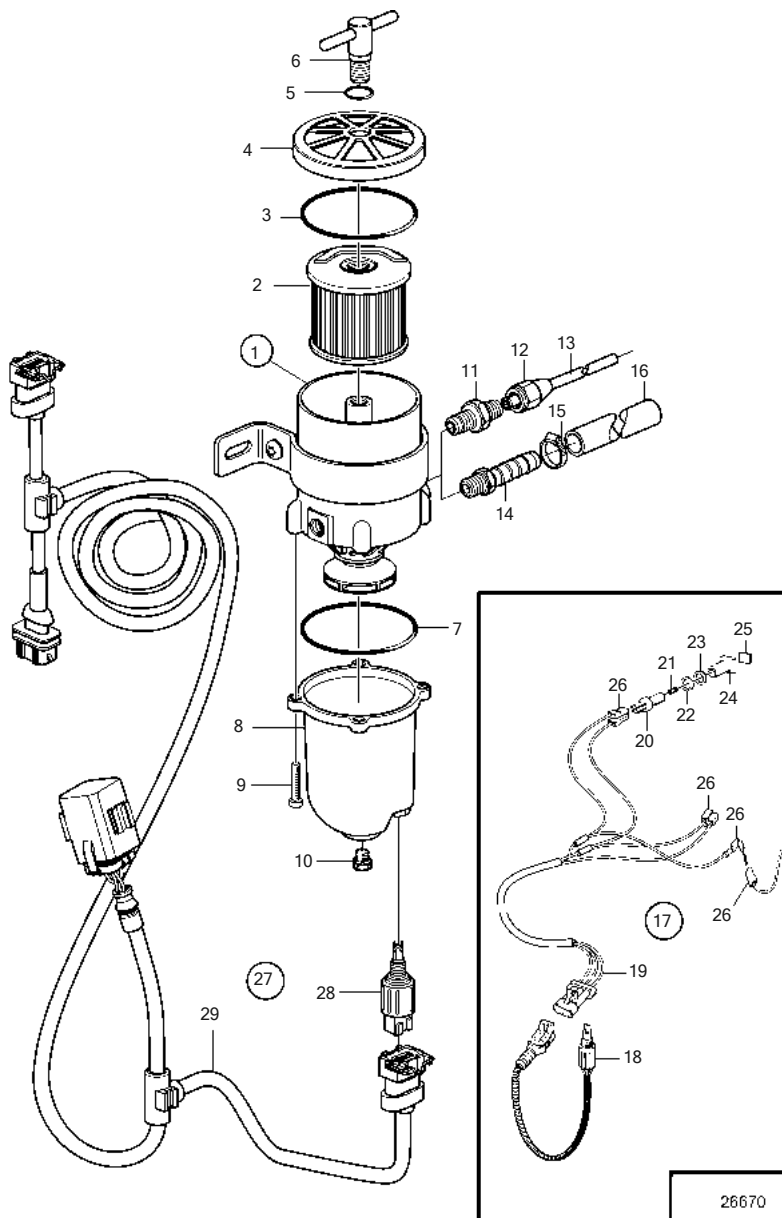


18245

AD31L-A, AD31P-A, AD41L-A, AD41P-A, D41L-A, TAMD31L-A, TAMD31M-A, TAMD31P-A, TAMD31S-A, TAMD41H-A, TAMD41H-B, TAMD41P-A, TAMD41L-A, TAMD41M-A, TMD31L-A, TMD41L-A

REF	PART NO.	QTY	DESCRIPTION	SEE SEC.	NOTES
1	3582350	1	Fuel filter		Repl by 877763
			· Bulletin 50-11A	50-11A-EN	Fuel Filters / Water Separators
1	877763	1	Fuel filter		
			·	37059	
			· Bulletin P-44-5-18	P-44-5-18-EN	Water in Fuel Alarm for fuel pre-filters
2	861014	1	· Insert		
3	838504	1	· Gasket		
4		1	· Lock		
5	838505	1	· O-ring		
6		1	· Handle		
7	861455	1	· O-ring		
8		1	· · O-ring		
9		1	· · Ball		
10		1	· · Insert		
11	3838861	1	· · Gasket		(838502)
12	3838849	1	Bowl		
13		1	· Heat shield		
14		1	· Plug		
15	950024	4	· Cross recessed screw		
16	(861459)	2	· Nut		Obsolete part
17	(861458)	1	· Faucet		Obsolete part
18		1	· Bracket		
19		1	· Clamp		
20		1	· Clamp		
21		3	· Screw		
22		3	· Nut		
23		1	· Plug		
24	3825000	X	Hose nipple		(834781)
25	954337	X	Nipple		
26	954323	X	Fitting nut		
27	1140724	1	Level guard		(1140609)
28	3588916	1	· Alarm kit		
29	808175	1	· Lamp socket		
30	19923	1	· Bulb		12V, 2W
	182059	1	· Bulb		24V, 3W
31	967583	1	· Retainer		
32	829714	1	· Sealing ring		
33	838455	1	· Retainer		
34	872591	1	· Symbol strip		
35		X	· cables and terminals	1963	
36	881774	1	Wiring harness		

AD31L-A, AD31P-A, AD41L-A, AD41P-A, D41L-A, TAMD31L-A, TAMD31M-A,  
TAMD31P-A, TAMD31S-A, TAMD41H-A, TAMD41H-B, TAMD41P-A,  
TAMD41L-A, TAMD41M-A, TMD31L-A, TMD41L-A



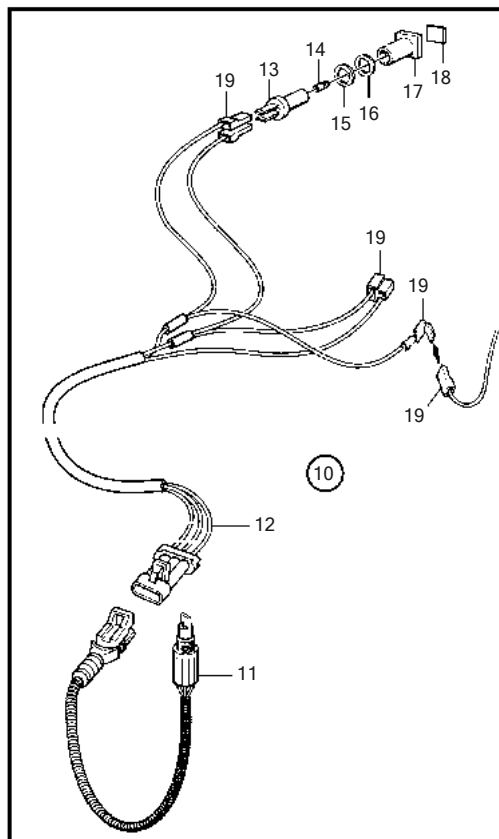
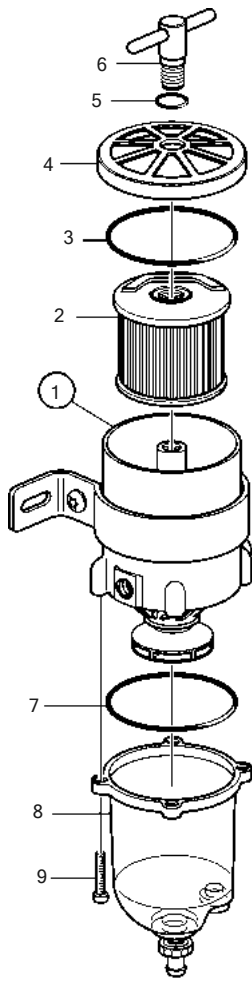
26670

AD31L-A, AD31P-A, AD41L-A, AD41P-A, D41L-A, TAMD31L-A, TAMD31M-A, TAMD31P-A, TAMD31S-A, TAMD41H-A, TAMD41H-B, TAMD41P-A, TAMD41L-A, TAMD41M-A, TMD31L-A, TMD41L-A

REF	PART NO.	QTY	DESCRIPTION	SEE SEC.	NOTES
1	877763	1	Fuel filter		
			• Bulletin P-44-5-18	P-44-5-18-EN	Water in Fuel Alarm for fuel pre-filters
2	1147147	1	• Fuel filter insert		2 mikron
	861014	1	• Insert		10 mikron, Std
	3581760	1	• Insert		30 mikron
3	838504	1	• Gasket		
4		1	• Lock		
5	838505	1	• O-ring		
6		1	• Handle		
7	3838861	1	• Gasket		
8	3838849	1	• Bowl		
9	950024	4	• Cross recessed screw		
10	952075	1	• Plug		
11	954337	2	Nipple		
12	954323	2	Fitting nut		
13	1140062	2	Copper tube		
14	3825000	2	Hose nipple		
15	961664	2	Hose clamp		
16	861057	X	Fuel hose		3/8"
			• Bulletin P-23-4-4	P-23-4-4-EN	Fuel Hose P/N 861057
17	1140724	1	Level guard		
18	3588916	1	• Alarm kit		
19	881774	1	• Wiring harness		
20	808175	1	• Lamp socket		
21	19923	1	• Bulb		12V, 2W
	182059	1	• Bulb		24V, 3W
22	967583	1	• Retainer		
23	829714	1	• Sealing ring		
24	838455	1	• Retainer		
25	872591	1	• Symbol strip		
26		X	• cables and terminals	1963	
27	21641493	1	Wif sensor kit		
			• Bulletin P-44-5-18	P-44-5-18-EN	Water in Fuel Alarm for fuel pre-filters
28	21614395	1	• Sensor		Alternative
29	21432601	1	• Wiring harness		Alternative



AD31L-A, AD31P-A, AD41L-A, AD41P-A, D41L-A, TAMD31L-A, TAMD31M-A, TAMD31P-A, TAMD31S-A, TAMD41H-A, TAMD41H-B, TAMD41P-A, TAMD41L-A, TAMD41M-A, TMD31L-A, TMD41L-A

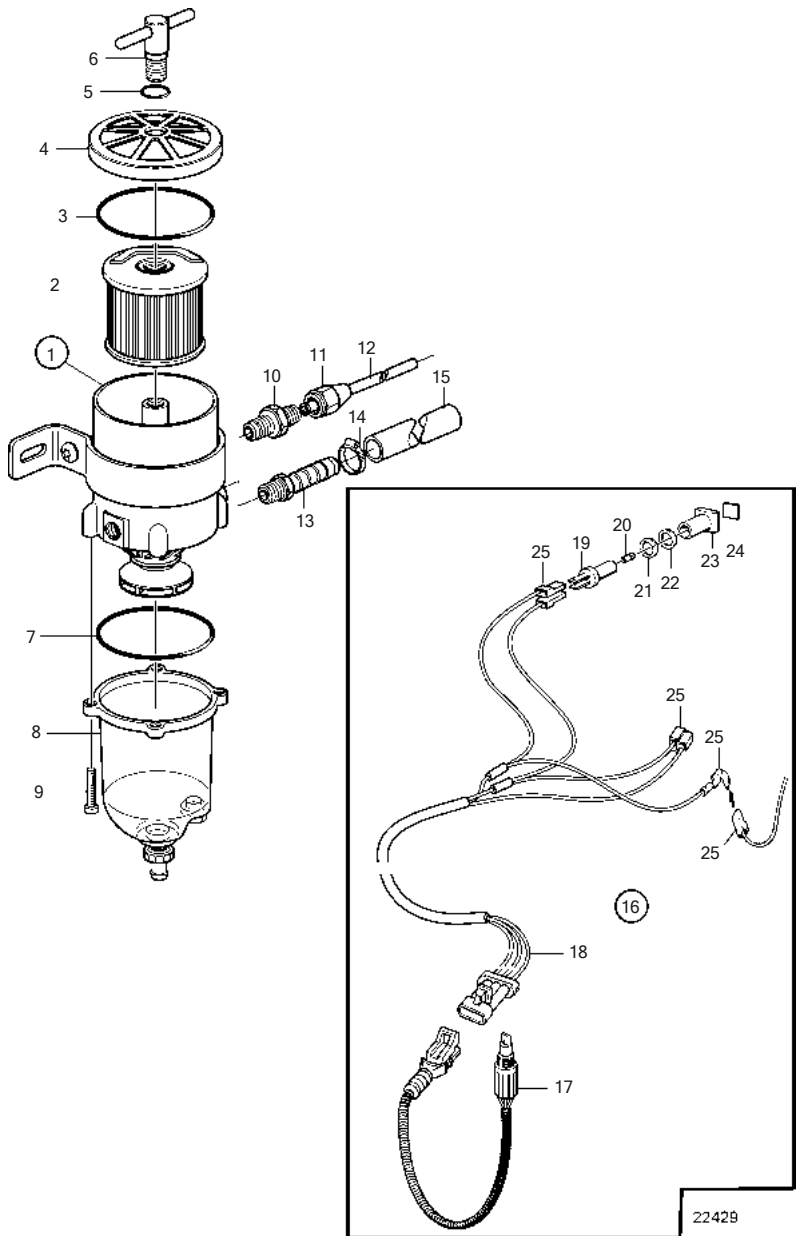


21064

AD31L-A, AD31P-A, AD41L-A, AD41P-A, D41L-A, TAMD31L-A, TAMD31M-A, TAMD31P-A, TAMD31S-A, TAMD41H-A, TAMD41H-B, TAMD41P-A, TAMD41L-A, TAMD41M-A, TMD31L-A, TMD41L-A

REF	PART NO.	QTY	DESCRIPTION	SEE SEC.	NOTES
1	877762	1	Fuel filter		
			• Bulletin P-44-5-18	P-44-5-18-EN	Water in Fuel Alarm for fuel pre-filters
2	861014	1	• Insert		
3	838504	1	• Gasket		
4		1	• Strainer		
5	838506	1	• O-ring		
6		1	• Handle		
7	3838861	1	• Gasket		
8	3838848	1	• Bowl		
9	950024	4	• Cross recessed screw		
10	1140724	1	Level guard		
11	3588916	1	• Alarm kit		
12	881774	1	• Wiring harness		
13	808175	1	• Lamp socket		
14	19923	1	• Bulb		12V, 2W
	182059	1	• Bulb		24V, 3W
15	967583	1	• Retainer		
16	829714	1	• Sealing ring		
17	838455	1	• Retainer		
18	872591	1	• Symbol strip		
19		X	• cables and terminals	1963	

AD31L-A, AD31P-A, AD41L-A, AD41P-A, D41L-A, TAMD31L-A, TAMD31M-A, TAMD31P-A, TAMD31S-A, TAMD41H-A, TAMD41H-B, TAMD41P-A, TAMD41L-A, TAMD41M-A, TMD31L-A, TMD41L-A



22429

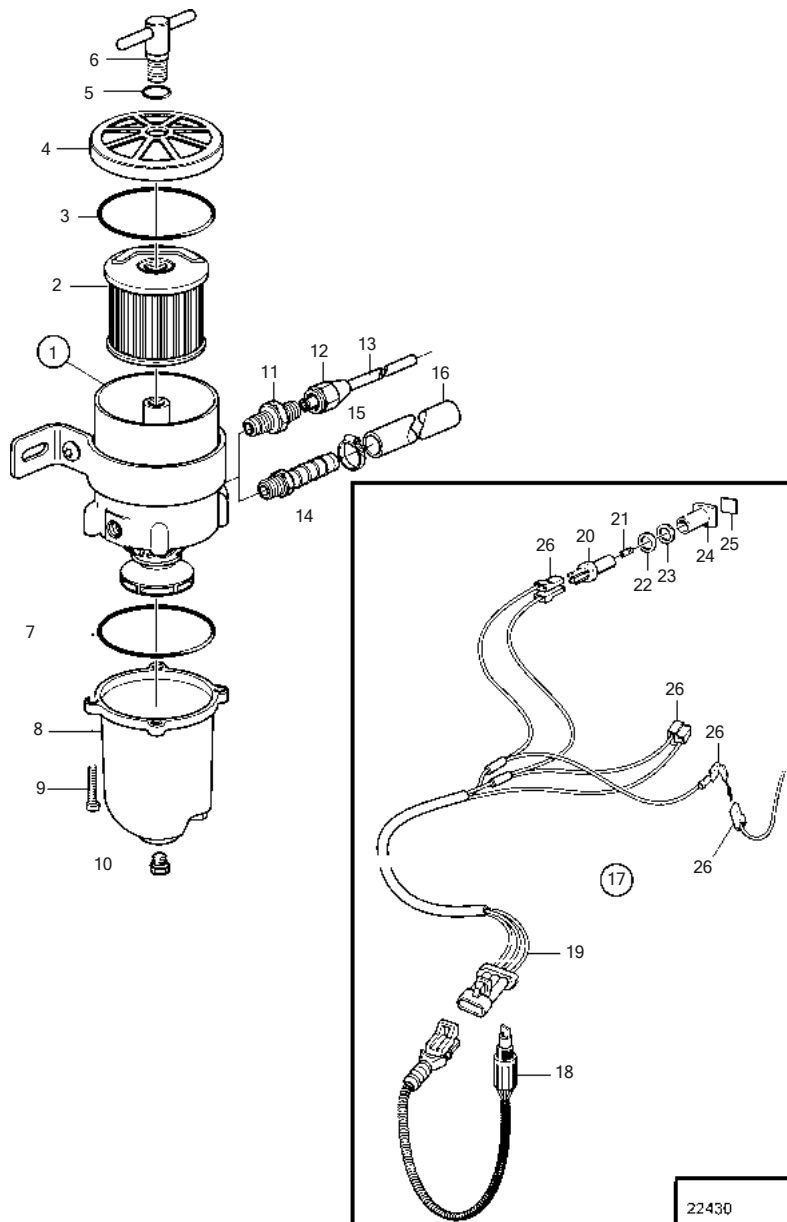
AD31L-A, AD31P-A, AD41L-A, AD41P-A, D41L-A, TAMD31L-A, TAMD31M-A, TAMD31P-A, TAMD31S-A, TAMD41H-A, TAMD41H-B, TAMD41P-A, TAMD41L-A, TAMD41M-A, TMD31L-A, TMD41L-A

REF	PART NO.	QTY	DESCRIPTION	SEE SEC.	NOTES
1	877762	1	Fuel filter		(861143)
			• Bulletin P-44-5-18	P-44-5-18-EN	Water in Fuel Alarm for fuel pre-filters
2	1147147	1	• Fuel filter insert		2 mikron
	861014	1	• Insert		10 mikron, Std
	3581760	1	• Insert		30 mikron
3	838504	1	• Gasket		
4		1	• Lock		
5	838505	1	• O-ring		
6		1	• Handle		
7	3838861	1	• Gasket		
8	3838848	1	• Bowl		
9	950024	4	• Cross recessed screw		
10	954337	2	Nipple		
11	954323	2	Fitting nut		
12	1140062	2	Copper tube		
13	3825000	2	Hose nipple		
14	961664	2	Hose clamp		
15	861057	X	Fuel hose		3/8"
			• Bulletin P-23-4-4	P-23-4-4-EN	Fuel Hose P/N 861057
16	1140724	1	Level guard		
17	3588916	1	• Alarm kit		
18	881774	1	• Wiring harness		
19	808175	1	• Lamp socket		
20	19923	1	• Bulb		12V, 2W
	182059	1	• Bulb		24V, 3W
21	967583	1	• Retainer		
22	829714	1	• Sealing ring		
23	838455	1	• Retainer		
24	872591	1	• Symbol strip		
25		X	• cables and terminals	1963	

23

Fuel Filter and Water Separator,  
RINA-approved

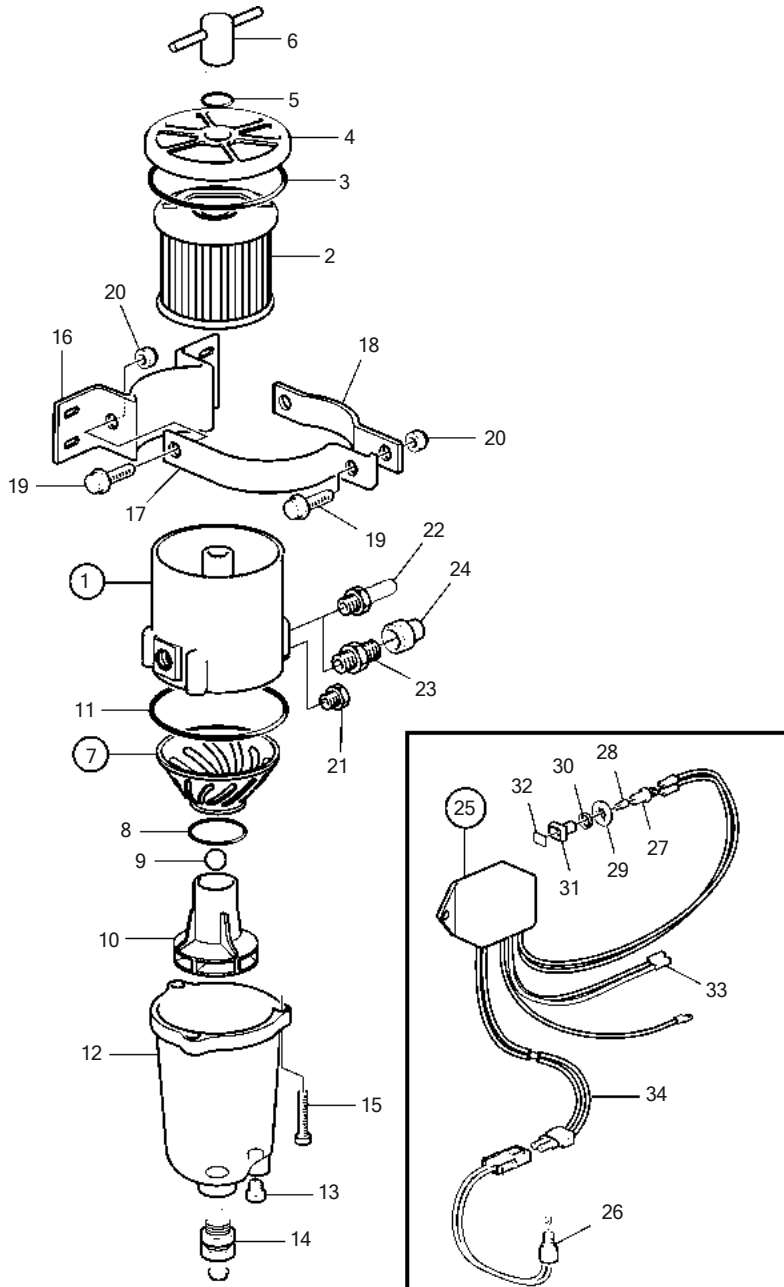
AD31L-A, AD31P-A, AD41L-A, AD41P-A, D41L-A, TAMD31L-A, TAMD31M-A,  
TAMD31P-A, TAMD31S-A, TAMD41H-A, TAMD41H-B, TAMD41P-A,  
TAMD41L-A, TAMD41M-A, TMD31L-A, TMD41L-A



AD31L-A, AD31P-A, AD41L-A, AD41P-A, D41L-A, TAMD31L-A, TAMD31M-A, TAMD31P-A, TAMD31S-A, TAMD41H-A, TAMD41H-B, TAMD41P-A, TAMD41L-A, TAMD41M-A, TMD31L-A, TMD41L-A

REF	PART NO.	QTY	DESCRIPTION	SEE SEC.	NOTES
1	877763	1	Fuel filter		
			• Bulletin P-44-5-18	P-44-5-18-EN	Water in Fuel Alarm for fuel pre-filters
2	1147147	1	• Fuel filter insert		2 mikron
	861014	1	• Insert		10 mikron
	3581760	1	• Insert		30 mikron
3	838504	1	• Gasket		
4		1	• Lock		
5	838505	1	• O-ring		
6		1	• Handle		
7	3838861	1	• Gasket		
8	3838849	1	• Bowl		
9	950024	4	• Cross recessed screw		
10	952075	1	• Plug		
11	954337	2	Nipple		
12	954323	2	Fitting nut		
13	1140062	2	Copper tube		
14	3825000	2	Hose nipple		
15	961664	2	Hose clamp		
16	861057	X	Fuel hose		3/8"
			• Bulletin P-23-4-4	P-23-4-4-EN	Fuel Hose P/N 861057
17	1140724	1	Level guard		
18	3588916	1	• Alarm kit		
19	881774	1	• Wiring harness		
20	808175	1	• Lamp socket		
21	19923	1	• Bulb		12V, 2W
	182059	1	• Bulb		24V, 3W
22	967583	1	• Retainer		
23	829714	1	• Sealing ring		
24	838455	1	• Retainer		
25	872591	1	• Symbol strip		
26		X	• cables and terminals	1963	

AD31L-A, AD31P-A, AD41L-A, AD41P-A, D41L-A, TAMD31L-A, TAMD31M-A, TAMD31P-A, TAMD31S-A, TAMD41H-A, TAMD41H-B, TAMD41P-A, TAMD41L-A, TAMD41M-A, TMD31L-A, TMD41L-A



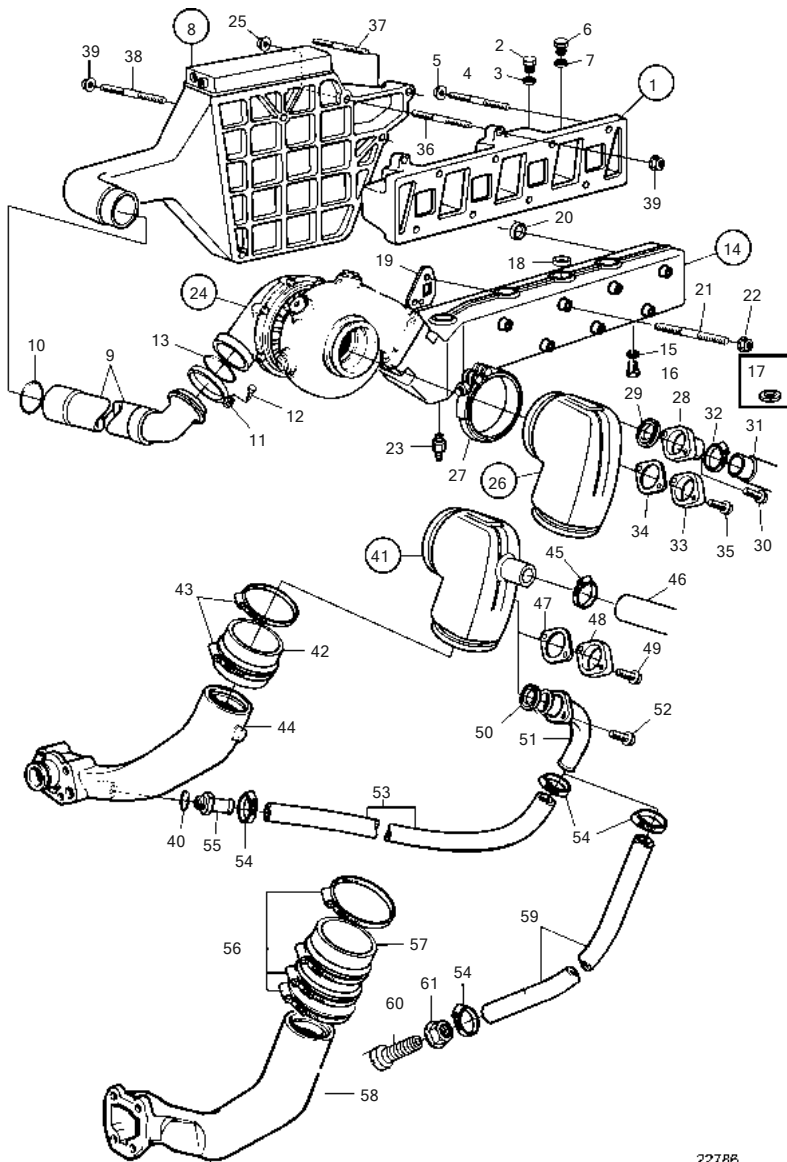
18244

AD31L-A, AD31P-A, AD41L-A, AD41P-A, D41L-A, TAMD31L-A, TAMD31M-A, TAMD31P-A, TAMD31S-A, TAMD41H-A, TAMD41H-B, TAMD41P-A, TAMD41L-A, TAMD41M-A, TMD31L-A, TMD41L-A

REF	PART NO.	QTY	DESCRIPTION	SEE SEC.	NOTES
1	3582350	1	Fuel filter		
			• Bulletin 50-11A	50-11A-EN	Fuel Filters / Water Separators
2	861014	1	• Insert		
3	838504	1	• Gasket		
4		1	• Lock		
5	838505	1	• O-ring		
6		1	• Handle		
7	861455	1	• O-ring		
8		1	• • O-ring		
9		1	• • Ball		
10		1	• • Insert		
11	3838861	1	• • Gasket		
12	3838848	1	• Bowl		
13		1	• Plug		
14	861456	1	• Faucet		
15	950024	4	• Cross recessed screw		
16		1	• Bracket		
17		1	• Clamp		
18		1	• Clamp		
19		3	• Screw		
20		3	• Nut		
21		1	• Plug		
22	3825000	X	Hose nipple		
23	954337	X	Nipple		
24	954323	X	Fitting nut		
25	1140724	1	Level guard		(1140609)
26	3588916	1	• Alarm kit		
27	808175	1	• Lamp socket		
28	19923	1	• Bulb		12V, 2W
	182059	1	• Bulb		24V, 3W
29	967583	1	• Retainer		
30	829714	1	• Sealing ring		
31	838455	1	• Retainer		
32	872591	1	• Symbol strip		
33		X	• cables and terminals	1963	
34	881774	1	Wiring harness		



TAMD31L-A, TAMD31M-A, TAMD31P-A

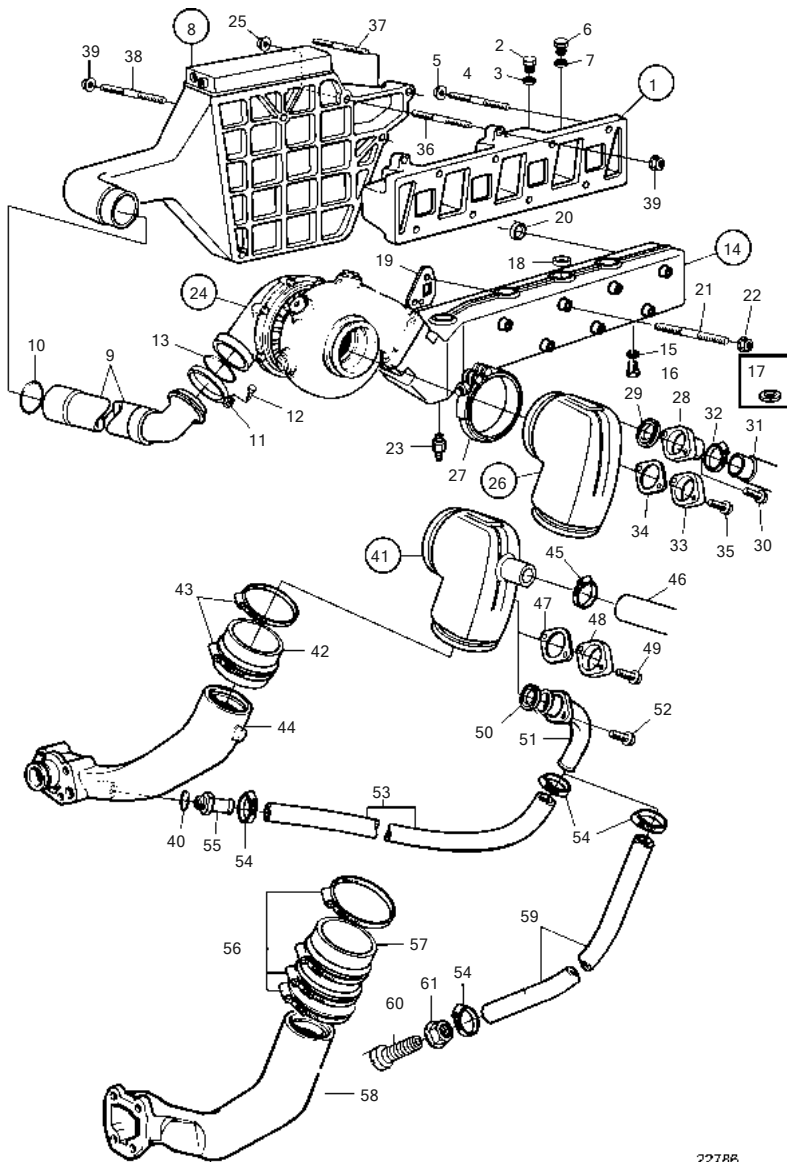


22786

TAMD31L-A, TAMD31M-A, TAMD31P-A

REF	PART NO.	QTY	DESCRIPTION	NOTES
1	859299	1	Inlet pipe	
2	960634	4	• Plug	
3	947627	4	• Gasket	
4	980226	6	Stud	
5	945408	6	Flange nut	
6	960632	1	Plug	
7	11998	1	Gasket	
8		1	Intercooler	
9	838693	1	Connection pipe	
10	864723	1	Sealing ring	
11	838864	1	V-band clamp	
12	947542	1	Flange screw	
13	967944	1	O-ring	
14	861619	1	Exhaust pipe	Repl by 876953
	876953	1	Exhaust pipe	Replaced by 3581549
	3581549	1	• Exhaust pipe	
15	957181	1	• Gasket	
16	960632	1	• Plug	
17	944563	1	• Spacer washer	
18	946780	7	Cap plug	For 861619
19	876144	4	Gasket kit	
20	838766	1	Sealing ring	
21	953007	1	Stud	For earlier version of expansion tank., L=150mm
	980835	1	Stud	For later version of expansion tank., L=155mm
	953003	1	Stud	L=130mm
	953001	2	Stud	For earlier version of expansion tank., L=120mm
	953001	1	Stud	For later version of expansion tank., L=120mm
	952999	4	Stud	L=110mm
	953005	1	Stud	For later version of expansion tank., L=140mm
22	971095	8	Flange nut	
23	949918	1	Shut-off cock	
24		1	Turbo	
25	945408	1	Flange nut	
26	859963	1	Exhaust riser	
27	842993	1	V-band clamp	
28	858659	1	Hose connection	
29	842913	1	Sealing ring	
30	946544	2	Flange screw	
31	944386	X	Rubber hose	Heat exchanger-exhaust riser., L=370mm
32	994560	1	Hose clamp	
33	844093	1	Flange	
34	859002	1	Gasket	
35	946544	2	Flange screw	
36	953049	2	Stud	L=50mm
37	984130	1	Stud	L=110mm (980227)
38	981440	1	Stud	L=185mm
39	945408	4	Flange nut	

AD31L-A, AD31P-A

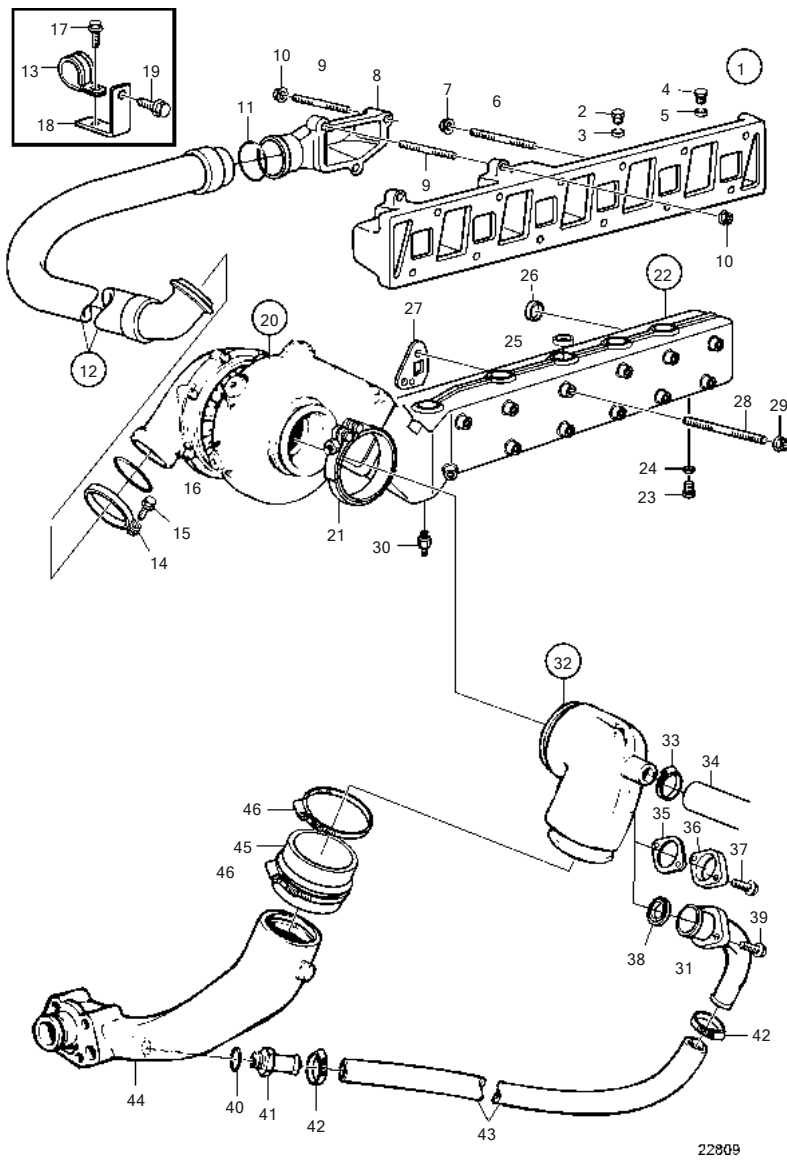


22786

AD31L-A, AD31P-A

REF	PART NO.	QTY	DESCRIPTION	NOTES
1	859299	1	Inlet pipe	
2	960634	4	• Plug	
3	947627	4	• Gasket	
4	980226	6	Stud	
5	945408	6	Flange nut	
6	960632	1	Plug	
7	11998	1	Gasket	
8		1	Intercooler	
9	838693	1	Connection pipe	
10	864723	1	Sealing ring	
11	838864	1	V-band clamp	
12	947542	1	Flange screw	
13	967944	1	O-ring	
14	861619	1	Exhaust pipe	Repl by 876953
	876953	1	Exhaust pipe	Replaced by 3581549
	3581549	1	• Exhaust pipe	
15	957181	1	• Gasket	
16	960632	1	• Plug	
17	944563	1	• Spacer washer	
18	946780	7	Cap plug	For 861619
19	876144	4	Gasket kit	
20	838766	1	Sealing ring	
21	953007	1	Stud	For earlier version of expansion tank., L=150mm
	980835	1	Stud	For later version of expansion tank., L=155mm
	953003	1	Stud	L=130mm
	953001	2	Stud	For earlier version of expansion tank., L=120mm
	953001	1	Stud	For later version of expansion tank., L=120mm
	952999	4	Stud	L=110mm
	953005	1	Stud	For later version of expansion tank., L=140mm
22	971095	8	Flange nut	
23	949918	1	Shut-off cock	
24		1	Turbo	
27	842993	1	V-band clamp	
36	953049	2	Stud	L=50mm
37	984130	1	Stud	L=110mm (980227)
38	981440	1	Stud	L=185mm
39	945408	4	Flange nut	
40	958228	1	O-ring	
41	860656	1	Riser	D=32mm, repl by 861289
	861289	1	Exhaust riser	D=38mm
42	860396	1	Exhaust hose	
43	853012	4	Hose clamp	
44		1	Exhaust pipe	AD31/DP, see group 44
45	994561	1	Hose clamp	For 860656
	994562	1	Hose clamp	For 861289
46	860828	1	Hose	Heat exchanger-exhaust riser., I.D=32mm, for 860656
	3581065	1	Hose	Heat exchanger-exhaust riser., I.D=38mm, for 861289
47	859002	1	Gasket	
48	844093	1	Flange	
49	946544	2	Flange screw	
50	842913	1	Sealing ring	
51	844258	1	Coolant pipe	
52	946544	2	Flange screw	
53	944386	X	Rubber hose	AD31/DP, L=720mm
54	961669	2	Hose clamp	
55	873221	1	Nipple	
56	853012	4	Hose clamp	
57	860396	1	Exhaust hose	
58		1	Exhaust pipe	AD31/SX, see group 44
59	944386	X	Rubber hose	AD31/SX
60	819455	1	Hull fitting	AD31/SX
61	836879	1	Nut	AD31/SX

AD41L-A

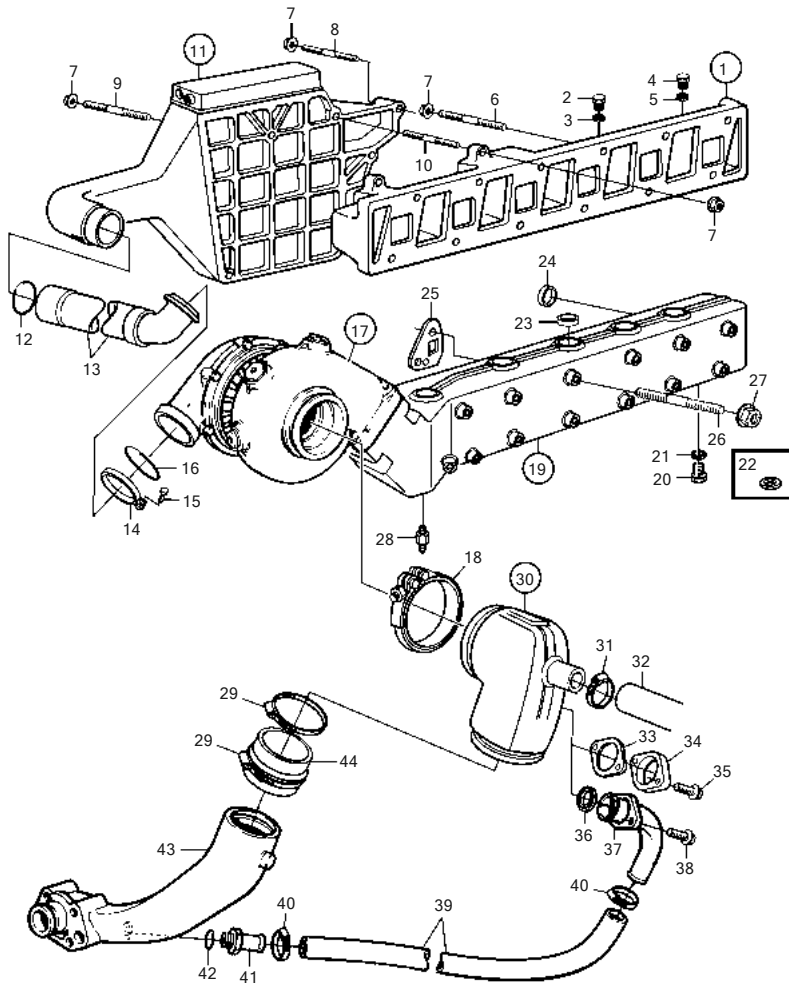


22809

AD41L-A

REF	PART NO.	QTY	DESCRIPTION	NOTES
1	859300	1	Inlet pipe	
2	960634	4	• Plug	
3	947627	4	• Gasket	
4	960632	1	Plug	
5	11998	1	Gasket	
6	980226	9	Stud	L=50mm
	984130	1	Stud	
7	945408	10	Flange nut	L=110mm (980227)
8	838857	1	Pipe connection	
9	953049	1	Stud	L=50mm
	984130	2	Stud	L=110mm (980227)
10	945408	3	Flange nut	
11	864723	1	Sealing ring	
12	838867	1	Connection pipe	
13	32447	1	• Clamp	
14	838864	1	V-band clamp	
15	947542	1	Flange screw	
16	967944	1	O-ring	
17	946671	1	Flange screw	
18	838866	1	Bracket	
19	946470	1	Flange screw	
20		1	Turbo	
21	842993	1	V-band clamp	
22	876823	1	Exhaust pipe	Repl by 877067
	877067	1	Exhaust pipe	Replaced by 3581406
	3581406	1	• Exhaust pipe	
23	960631	1	• Plug	
	960632	1	• Plug	
24	11996	1	• Gasket	
	11998	1	• Gasket	
25	946780	11	• • Cap plug	
26	838766	1	Sealing ring	
27	876144	6	Gasket kit	
28	953001	8	Stud	L=120mm
	953002	2	Stud	For earlier version of expansion tank., L=125mm
	953002	1	Stud	For later version of expansion tank., L=125mm
	953003	1	Stud	L=130mm
	953005	1	Stud	For later version of expansion tank., L=140mm
	953007	1	Stud	For earlier version of expansion tank., L=150mm
	980835	1	Stud	For later version of expansion tank., L=155mm
29	971095	12	Flange nut	
30	949918	1	Shut-off cock	
31	844258	1	Coolant pipe	
32	860656	1	Riser	D=32mm, repl by 861289
	861289	1	Exhaust riser	D=38mm
33	994561	1	Hose clamp	For 860656
	994562	1	Hose clamp	For 861289
34	860828	1	Hose	Heat exchanger-exhaust riser., I.D=32mm, for 860656
	3581065	1	Hose	Heat exchanger-exhaust riser., I.D=38mm, for 861289
35	859002	1	Gasket	
36	844093	1	Flange	
37	946544	2	Flange screw	
38	842913	1	Sealing ring	
39	946544	2	Flange screw	
40	958228	1	O-ring	
41	873221	1	Nipple	
42	853548	2	Hose clamp	
43	944386	X	Rubber hose	L=720mm
44		1	Exhaust pipe	See group 44
45	860396	1	Exhaust hose	
46	982694	4	Hose clamp	(981239)

AD41L-A, AD41P-A



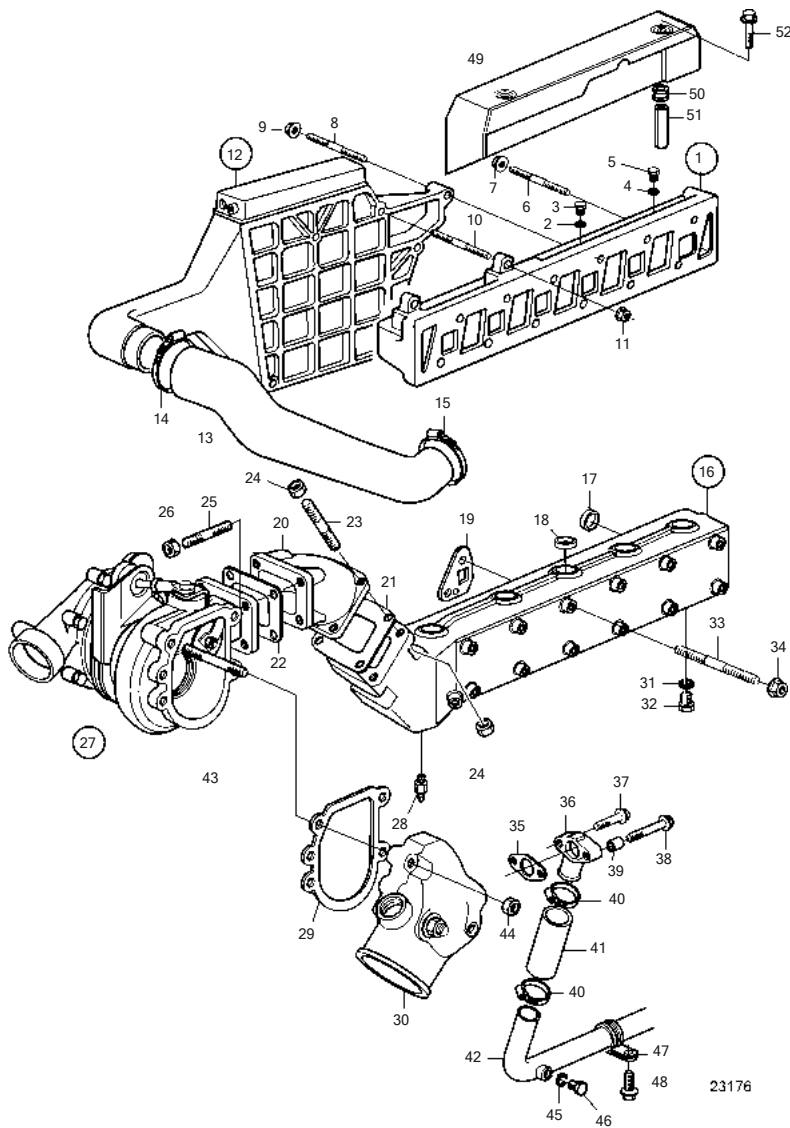
22793

AD41L-A, AD41P-A

REF	PART NO.	QTY	DESCRIPTION	NOTES
1	859300	1	Inlet pipe	
2	960634	4	• Plug	
3	947627	4	• Gasket	
4	960632	1	Plug	
5	11998	1	Gasket	
6	980226	9	Stud	L=50mm
	984130	1	Stud	L=110mm (980227)
7	945408	10	Flange nut	
8	984130	1	Stud	L=110mm (980227)
9	981440	1	Stud	
10	953049	2	Stud	L=50mm
11		1	Intercooler	
12	864723	1	Sealing ring	
13	838693	1	Connection pipe	
14	838864	1	V-band clamp	
15	947542	1	Flange screw	
16	967944	1	O-ring	
17		1	Turbo	
18	842993	1	V-band clamp	
19	876823	1	Exhaust pipe	Repl by 877067
	877067	1	Exhaust pipe	Replaced by 3581406
	3581406	1	• Exhaust pipe	
20	960632	1	• Plug	
	960631	1	• Plug	
21	11996	1	• Gasket	
22	11998	1	• Gasket	
23	946780	11	• • Cap plug	
24	838766	1	Sealing ring	
25	876144	6	Gasket kit	
26	953001	8	Stud	L=120mm
	953002	2	Stud	For earlier version of expansion tank., L=125mm
	953002	1	Stud	For later version of expansion tank., L=125mm
	953003	1	Stud	L=130mm
	953005	1	Stud	For later version of expansion tank., L=140mm
	953007	1	Stud	For earlier version of expansion tank., L=150mm
	980835	1	Stud	For later version of expansion tank., L=155mm
27	971095	12	Flange nut	
28	949918	1	Shut-off cock	
29	982694	4	Hose clamp	
30	860656	1	Riser	D=32mm, repl by 861289
	861289	1	Exhaust riser	D=38mm
31	994561	1	Hose clamp	For 860656
	994562	1	Hose clamp	For 861289
32	860828	1	Hose	Heat exchanger-exhaust riser., I.D=32mm, for 860656
	3581065	1	Hose	Heat exchanger-exhaust riser., I.D=38mm, for 861289
33	859002	1	Gasket	
34	844093	1	Flange	
35	946544	2	Flange screw	
36	842913	1	Sealing ring	
37	844258	1	Coolant pipe	
38	946544	2	Flange screw	
39	944386	X	Rubber hose	L=720mm
40	853548	2	Hose clamp	
41	873221	1	Nipple	
42	958228	1	O-ring	
43		1	Exhaust pipe	See group 44
44	860396	1	Exhaust hose	



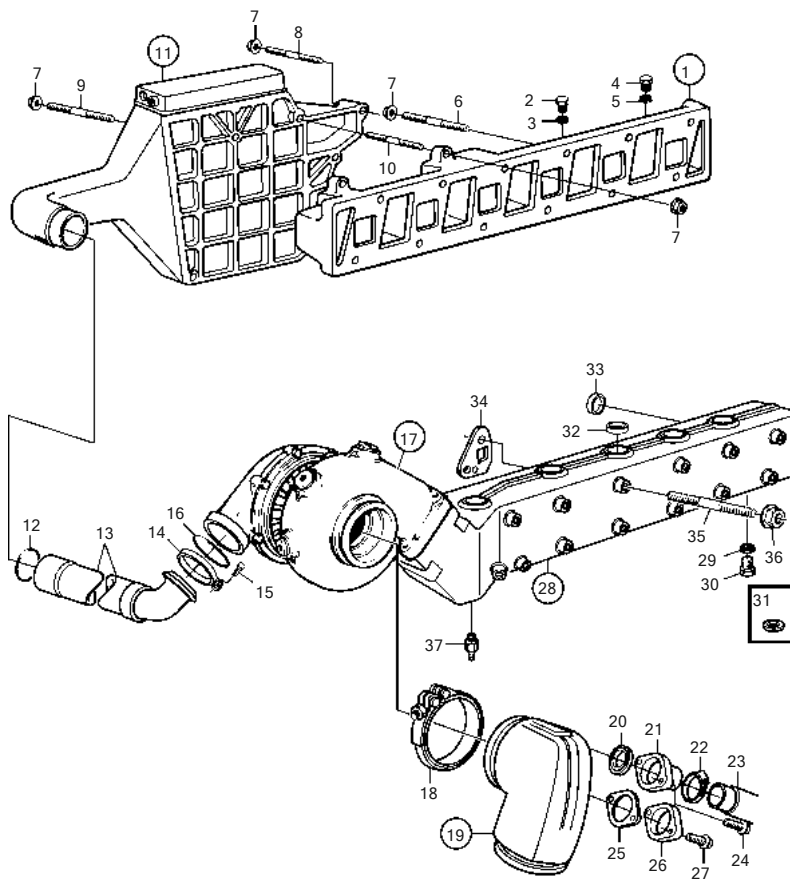
TAMD31S-A



TAMD31S-A

REF	PART NO.	QTY	DESCRIPTION	NOTES
1	859299	1	Inlet pipe	
2	947627	4	Gasket	
3	960634	4	Plug	
4	11998	1	Gasket	
5	960632	1	Plug	
6	980226	6	Stud	
7	945408	6	Flange nut	
8	984130	1	Stud	L=110mm (980227)
9	945408	1	Flange nut	
10	953049	2	Stud	L=50mm
11	945408	1	Flange nut	
12		1	Intercooler	
13	3583046	1	Hose	
14	1544731	1	Hose clamp	
15	943479	1	Hose clamp	
16	3581549	1	Exhaust pipe	
17	838766	1	Sealing ring	
18	946780	7	Cap plug	
19	876144	4	Gasket kit	
20	3583044	1	Adapter	
21	3582676	1	Gasket kit	
22	859834	1	Gasket	
23	953069	4	Stud	
24	940183	4	Hexagon nut	
25	953045	4	Stud	
26	945408	4	Flange nut	
27		1	Turbo	
28	949918	1	Shut-off cock	
29	861414	1	Gasket	
30	3582512	1	Exhaust riser	
31	957181	1	Gasket	
32	960632	1	Plug	
33	953007	1	Stud	L=150mm
	980835	1	Stud	L=155mm
	953003	1	Stud	L=130mm
	953001	1	Stud	L=120mm
	952999	4	Stud	L=110mm
	953005	1	Stud	L=140mm
34	971095	8	Flange nut	
35	859835	1	Gasket	
36	859836	1	Connector	
37	948217	1	Flange screw	
38	965216	1	Flange screw	
39		1	Spacer sleeve	
40	961669	2	Hose clamp	
41	3581729	1	Hose	
42	861427	1	Tube	
43	861760	2	Stud	
	861761	2	Stud	
44	948645	4	Flange lock nut	
45	483963	1	Washer	
46	859842	1	Plug	
47	859841	2	Clamp	
48	946173	2	Flange screw	
49	3583042	1	Protecting casing	
50	843109	2	Bushing	
51	3583507	2	Nut	
52	967949	4	Flange screw	

TAMD41H-A, TAMD41H-B, TAMD41P-A, TAMD41L-A, TAMD41M-A

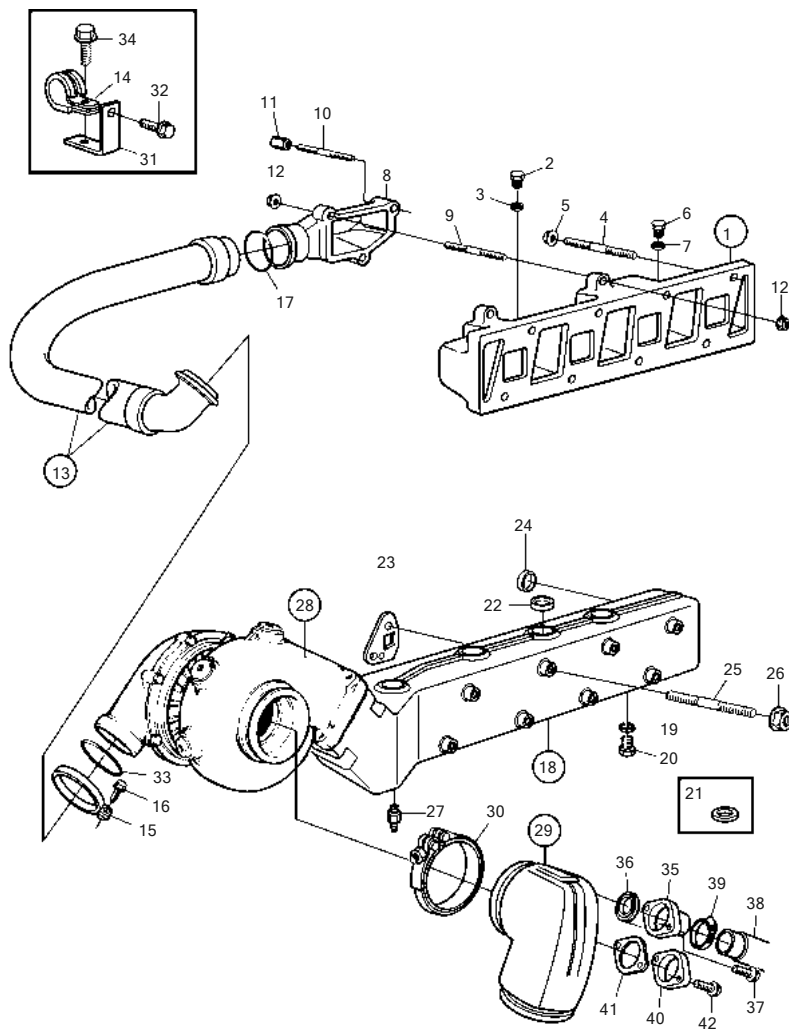


22792

TAMD41H-A, TAMD41H-B, TAMD41P-A, TAMD41L-A, TAMD41M-A

REF	PART NO.	QTY	DESCRIPTION	NOTES
1	859300	1	Inlet pipe	
2	960634	4	• Plug	
3	947627	4	• Gasket	
4	960632	1	Plug	
5	11998	1	Gasket	
6	980226	9	Stud	L=50mm
	984130	1	Stud	L=110mm (980227)
7	945408	10	Flange nut	
8	984130	1	Stud	L=110mm (980227)
9	981440	1	Stud	
10	953049	2	Stud	L=50mm
11		1	Intercooler	
12	864723	1	Sealing ring	
13	838693	1	Connection pipe	
14	838864	1	V-band clamp	
15	947542	1	Flange screw	
16	967944	1	O-ring	
17		1	Turbo	
18	842993	1	V-band clamp	
19	859963	1	Exhaust riser	
20	842913	1	Sealing ring	
21	858659	1	Hose connection	
22	994560	1	Hose clamp	
23	944386	X	Rubber hose	Heat exchanger-exhaust riser., L=370mm
24	946544	2	Flange screw	
25	859002	1	Gasket	
26	844093	1	Flange	
27	946544	2	Flange screw	
28	876823	1	Exhaust pipe	Repl by 877067
	3581406	1	Exhaust pipe	
29	960632	1	• Plug	
	960631	1	• Plug	
30	11996	1	• Gasket	
31	11998	1	• Gasket	
32	946780	11	• • Cap plug	
33	838766	1	Sealing ring	
34	876144	6	Gasket kit	
35	953001	8	Stud	L=120mm
	953002	2	Stud	For earlier version of expansion tank., L=125mm
	953002	1	Stud	For later version of expansion tank., L=125mm
	953003	1	Stud	L=130mm
	953005	1	Stud	For later version of expansion tank., L=140mm
	953007	1	Stud	For earlier version of expansion tank., L=150mm
	980835	1	Stud	For later version of expansion tank., L=155mm
36	971095	12	Flange nut	
37	949918	1	Shut-off cock	

TMD31L-A

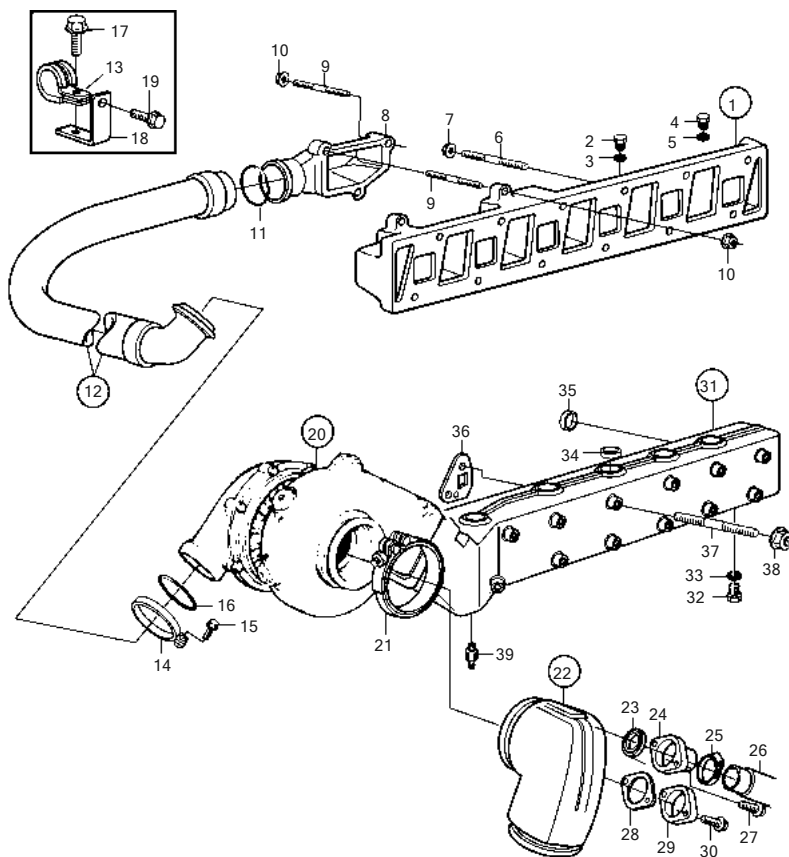


22787

TMD31L-A

REF	PART NO.	QTY	DESCRIPTION	SEE SEC.	NOTES
1	859299	1	Inlet pipe		
2	960634	4	• Plug		
3	947627	4	• Gasket		
4	980226	6	Stud		
5	945408	6	Flange nut		
6	960632	1	Plug		
7	11998	1	Gasket		
8	838857	1	Pipe connection		
9	984130	2	Stud		L=110mm (980227)
10	953049	1	Stud		L=50mm
11	855314	1	Spacer nut		
12	945408	3	Flange nut		
13	838867	1	Connection pipe		
14	32447	1	• Clamp		
15	838864	1	V-band clamp		
16	947542	1	Flange screw		
17	864723	1	Sealing ring		
18	861619	1	Exhaust pipe		Repl by 876953
	876953	1	Exhaust pipe		Replaced by 3581549
	3581549	1	• Exhaust pipe		
19	957181	1	• Gasket		
20	960632	1	• Plug		
21	944563	1	• Spacer washer		
22	946780	7	Cap plug		For 861619
23	876144	4	Gasket kit		
24	838766	1	Sealing ring		
25	953007	1	Stud		For earlier version of expansion tank., L=150mm
	980835	1	Stud		For later version of expansion tank., L=155mm
	953003	1	Stud		L=130mm
	953001	1	Stud		L=120mm
	953001	1	Stud		For earlier version of expansion tank., L=120mm
	952999	4	Stud		For earlier version of expansion tank., L=110mm
	952999	3	Stud		For later version of expansion tank., L=110mm
	953005	1	Stud		For later version of expansion tank., L=140mm
26	971095	8	Flange nut		
27	949918	1	Shut-off cock		
28		1	Turbo	1695	
29	859963	1	Exhaust riser		
30	842993	1	V-band clamp		
31	838866	1	Bracket		
32	946470	1	Flange screw		
33	967944	1	O-ring		
34	946173	1	Flange screw		
35	858659	1	Hose connection		
36	842913	1	Sealing ring		
37	946544	2	Flange screw		
38	944386	1	Rubber hose		Heat exchanger-exhaust riser., L=370mm
39	994560	1	Hose clamp		
40	844093	1	Flange		
41	859002	1	Gasket		
42	946544	2	Flange screw		

TMD41L-A



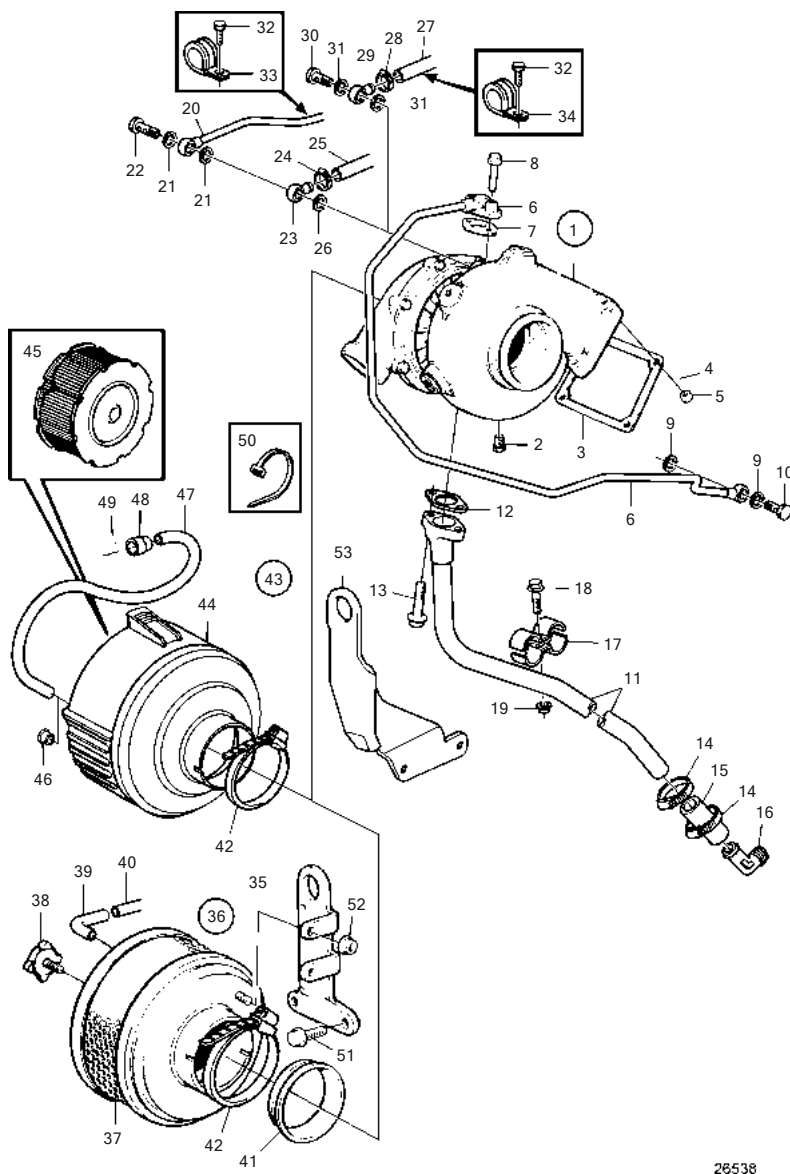
22808

TMD41L-A

REF	PART NO.	QTY	DESCRIPTION	NOTES
1	859300	1	Inlet pipe	
2	960634	4	• Plug	
3	947627	4	• Gasket	
4	960632	1	Plug	
5	11998	1	Gasket	
6	980226	9	Stud	L=50mm
	984130	1	Stud	L=110mm (980227)
7	945408	10	Flange nut	
8	838857	1	Pipe connection	
9	953049	1	Stud	L=50mm
	984130	2	Stud	L=110mm (980227)
10	945408	3	Flange nut	
11	864723	1	Sealing ring	
12	838867	1	Connection pipe	
13	32447	1	• Clamp	
14	838864	1	V-band clamp	
15	947542	1	Flange screw	
16	967944	1	O-ring	
17	946671	1	Flange screw	
18	838866	1	Bracket	
19	946470	1	Flange screw	
20		1	Turbo	
21	842993	1	V-band clamp	
22	859963	1	Exhaust riser	
23	842913	1	Sealing ring	
24	858659	1	Hose connection	
25	994560	1	Hose clamp	
26	944386	1	Rubber hose	Heat exchanger-exhaust riser., L=370mm
27	946544	2	Flange screw	
28	859002	1	Gasket	
29	844093	1	Flange	
30	946544	2	Flange screw	
31	876823	1	Exhaust pipe	Repl by 877067
	877067	1	Exhaust pipe	Replaced by 3581406
	3581406	1	• Exhaust pipe	
32	960631	1	• Plug	
	960632	1	• Plug	
33	11996	1	• Gasket	
	11998	1	• Gasket	
34	946780	11	• • Cap plug	
35	838766	1	Sealing ring	
36	876144	6	Gasket kit	
37	953001	8	Stud	L=120mm
	953002	2	Stud	For earlier version of expansion tank., L=125mm
	953002	1	Stud	For later version of expansion tank., L=125mm
	953003	1	Stud	L=130mm
	953005	1	Stud	For later version of expansion tank., L=140mm
	953007	1	Stud	For earlier version of expansion tank., L=150mm
	980835	1	Stud	For later version of expansion tank., L=155mm
38	971095	12	Flange nut	
39	949918	1	Shut-off cock	



AD31L-A, TAMD31L-A, TAMD31M-A

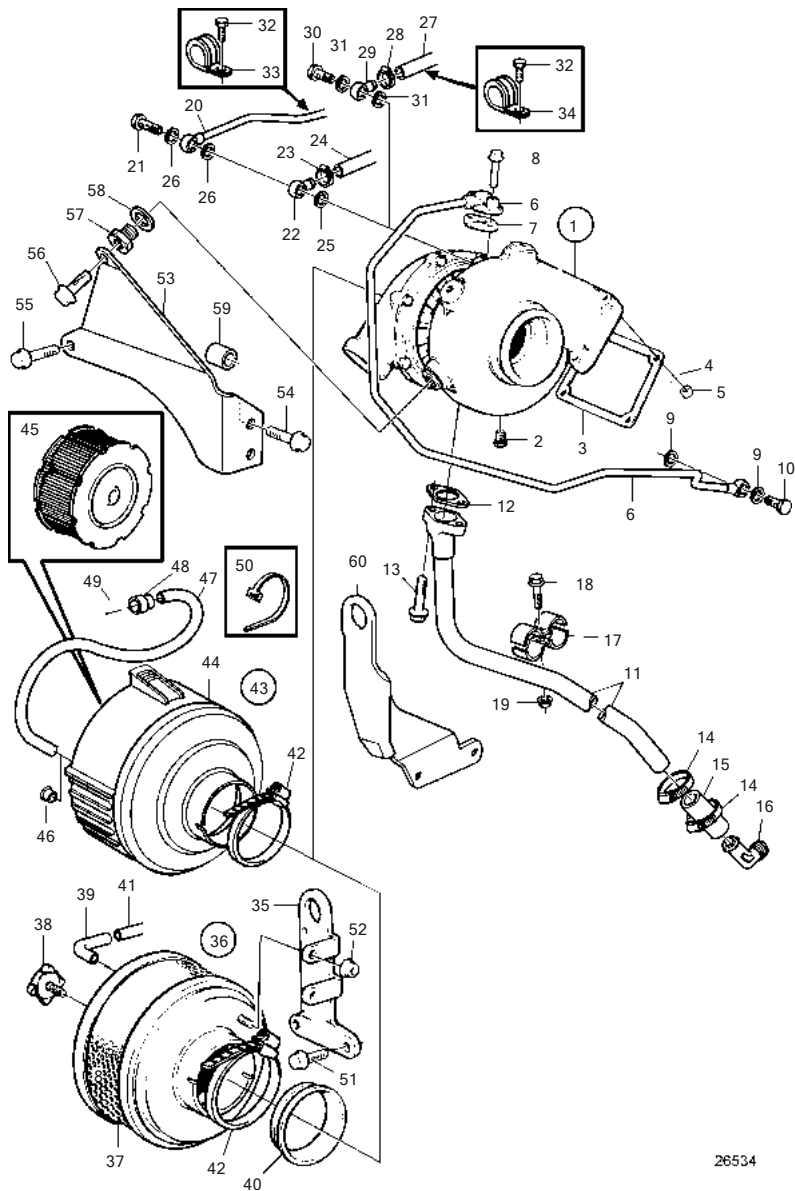


26538

AD31L-A, TAMD31L-A, TAMD31M-A

REF	PART NO.	QTY	DESCRIPTION	SEE SEC.	NOTES
1					
	3802082	1	Turbocharger	860	(3581528)
				3343	
2	861551	1	Plug		
3	3582676	1	Gasket kit		
4	955895	4	Washer		
5	940183	4	Hexagon nut		
6	838868	1	Oil pressure pipe		
7	420641	1	Plane gasket		
8	945444	1	Flange screw		L=25mm
	946671	1	Flange screw		L=30mm
9	969011	2	Gasket		
10	25167	1	Hollow screw		
11	838870	1	Oil return pipe		
12	860105	1	Gasket		
13	945444	2	Flange screw		
14	994559	2	Hose clamp		
15	466328	1	Hose		
16	983105	1	Hose nipple		
17	820851	2	Clamp		
18	946544	1	Flange screw		
19	945407	1	Flange nut		
20	860214	1	Air vent hose		Turbo-thermostat housing., For earlier version of expansion tank.
21	947975	1	Hollow screw		
22	858750	1	Banjo nipple		
23	945652	1	Hose clamp		
24	942700	X	Hose		Expansion tank-Turbo., For earlier version of expansion tank.
25	11994	1	Gasket		
26	11994	2	Gasket		
27	942700	1	Hose		Expansion tank-Turbo., For later version of expansion tank., L=580mm
28	945652	1	Hose clamp		
29	858750	1	Banjo nipple		
30	969299	1	Hollow screw		
31	11994	2	Gasket		
32	967949	2	Flange screw		
33	952624	1	Clamp		
34	952627	1	Clamp		
35	838829	1	Lift iron		Early type
36	861434	1	Air cleaner		SN-2204216357, Repl by 3582367
			• Bulletin 44-47	44-47-EN	New Air Filter for 31, 41 and TAMD42WJ Engines
37	858488	1	• Air filter insert		
38	859729	1	• Knob		
39	861391	1	• Protecting sleeve		
40	838855	1	Sealing ring		
41	946234	X	Tube		L=670mm
42	943481	1	Hose clamp		
43	3582367	1	Air filter kit		SN-2203129177, Replaced by 22004848
			• Bulletin 44-47	44-47-EN	New Air Filter for 31, 41 and TAMD42WJ Engines
43	22004848	1	Air filter kit		SN2203129178-
44	21782391	1	• Air filter		SN2203129178-
45	21646645	1	• • Air filter insert		
46	940285	1	• Plug		
47		X	• Tube		L=670mm
48	861114	1	• Protecting sleeve		
49	943472	1	• Hose clamp		
50	948211	1	• Cable tie		
51	946329	2	Flange screw		Early type
52	945407	2	Flange nut		Early type
53	860419	1	Lifting bracket		Late type

AD31P-A, TAMD31P-A



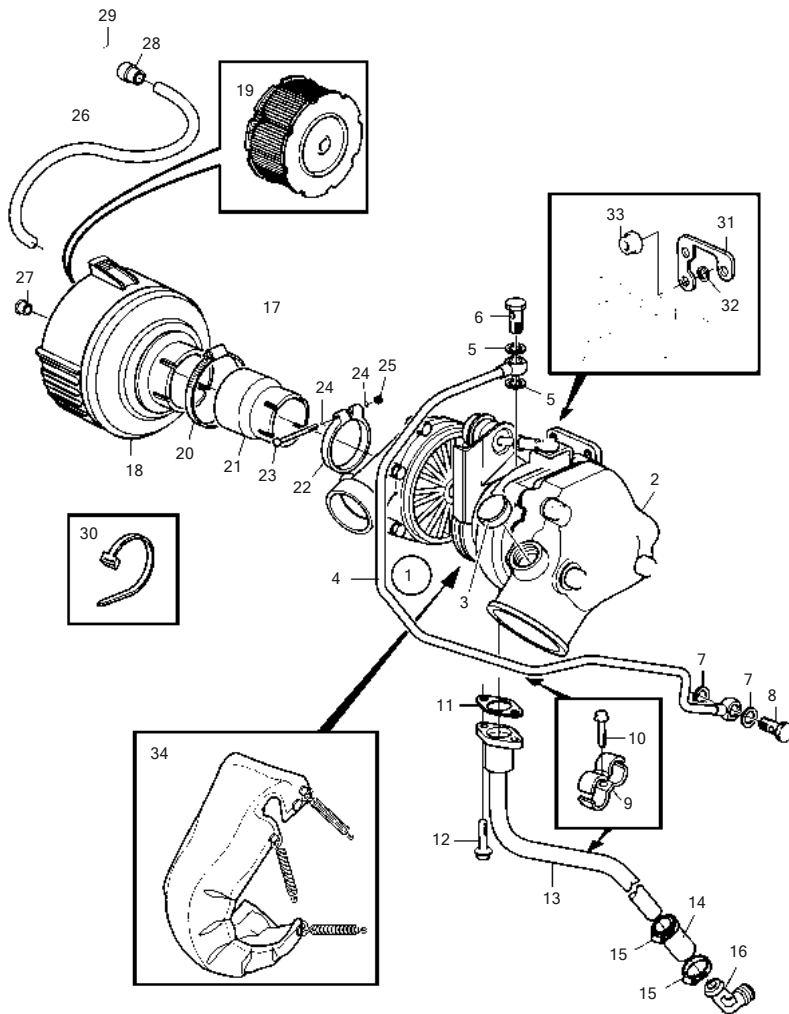
26534

AD31P-A, TAMD31P-A

REF	PART NO.	QTY	DESCRIPTION	SEE SEC.	NOTES
1					
	3802082	1	Turbocharger	860	(3581528)
				3343	
2	861551	1	Plug		
3	3582676	1	Gasket kit		
4	955895	4	Washer		
5	940183	4	Hexagon nut		
6	838868	1	Oil pressure pipe		
7	420641	1	Plane gasket		
8	945444	1	Flange screw		L=25mm
	946671	1	Flange screw		L=30mm
9	969011	2	Gasket		
10	25167	1	Hollow screw		
11	838870	1	Oil return pipe		
12	860105	1	Gasket		
13	945444	2	Flange screw		
14	994559	2	Hose clamp		
15	466328	1	Hose		
16	983105	1	Hose nipple		
17	820851	2	Clamp		
18	946544	1	Flange screw		
19	945407	1	Flange nut		
20	860214	1	Air vent hose		Turbo-thermostat housing., For earlier version of expansion tank.
21	947975	1	Hollow screw		
22	858750	1	Banjo nipple		
23	945652	1	Hose clamp		
24	942700	X	Hose		Expansion tank-Turbo., For earlier version of expansion tank.
25	11994	1	Gasket		
26	11994	2	Gasket		
27	942700	1	Hose		Expansion tank-Turbo., For later version of expansion tank., L=580mm
28	945652	1	Hose clamp		
29	858750	1	Banjo nipple		
30	969299	1	Hollow screw		
31	11994	2	Gasket		
32	967949	2	Flange screw		
33	952624	1	Clamp		
34	952627	1	Clamp		
35	838829	1	Lift iron		Early type
36	861434	1	Air cleaner		SN-2204216357, Repl by 3582367
			• Bulletin 44-47	44-47-EN	New Air Filter for 31, 41 and TAMD42WJ Engines
37	858488	1	• Air filter insert		
38	859729	1	• Knob		
39	861391	1	• Protecting sleeve		
40	838855	1	Sealing ring		
41	946234	X	Tube		L=670mm
42	943481	1	Hose clamp		
43	3582367	1	Air filter kit		SN-2203129177, Replaced by 22004848
			• Bulletin 44-47	44-47-EN	New Air Filter for 31, 41 and TAMD42WJ Engines
43	22004848	1	Air filter kit		SN2203129178-
44	21782391	1	• Air filter		SN2203129178-
45	21646645	1	• • Air filter insert		
46	940285	1	• Plug		
47		X	• Tube		L=670mm
48	861114	1	• Protecting sleeve		
49	943472	1	• Hose clamp		
50	948211	1	• Cable tie		
51	946329	1	Flange screw		Early type
	946472	1	Flange screw		Early type
52	945407	2	Flange nut		Early type
53	861643	1	Bracket		
54	965192	2	Flange screw		
55	965182	1	Flange screw		
56	946471	1	Flange screw		
57	861646	1	Plug		
58	947627	1	Gasket		
59	861554	2	Spacer		



TAMD31S-A

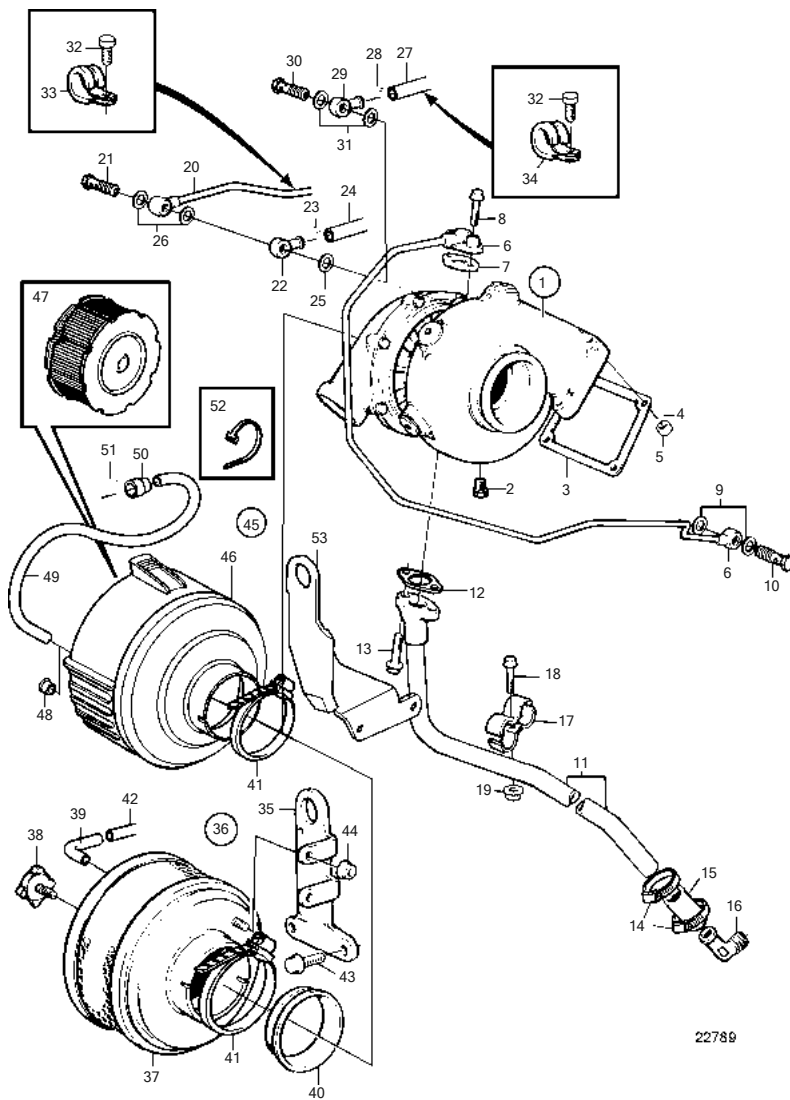


26539

TAMD31S-A

REF	PART NO.	QTY	DESCRIPTION	SEE SEC.	NOTES
1	3583004	1	Turbocharger · parts not sold separately		
2	3582512	1	Exhaust riser		
3	11997805	1	Plug		
4	3583050	1	Oil pressure pipe		
5	11994	2	Gasket		
6	3583869	1	Hollow screw		
7	969011	2	Gasket		
8	25167	1	Hollow screw		
9	820851	2	Clamp		
10	946544	1	Flange screw		
11	860105	1	Gasket		
12	945444	2	Flange screw		
13	3583051	1	Tube		
14	466328	1	Hose		
15	994559	2	Hose clamp		
16	983105	1	Hose nipple		(843879)
17	3582367	1	Air filter kit		SN-2203129177, Replaced by 22004848
			· Bulletin 44-47	44-47-EN	New Air Filter for 31, 41 and TAMD42WJ Engines
17	22004848	1	Air filter kit		SN2203129178-
18	21782391	1	· Air filter		SN2203129178-
19	21646645	1	· · Air filter insert		
20	943481	1	Hose clamp		
21	3583049	1	Adapter		
22	975261	1	Clamp		
23		1	· Screw		
24		2	· Washer		
25		1	· Nut		
26		1	Tube		
27	940285	1	Plug		
28	861114	1	Protecting sleeve		
29	943472	1	Hose clamp		
30	948211	1	Cable tie		
31	861402	1	Bracket		
32	955894	3	Washer		
33	948645	3	Flange lock nut		
34	861401	1	Protecting casing		

AD41L-A, AD41P-A, D41L-A



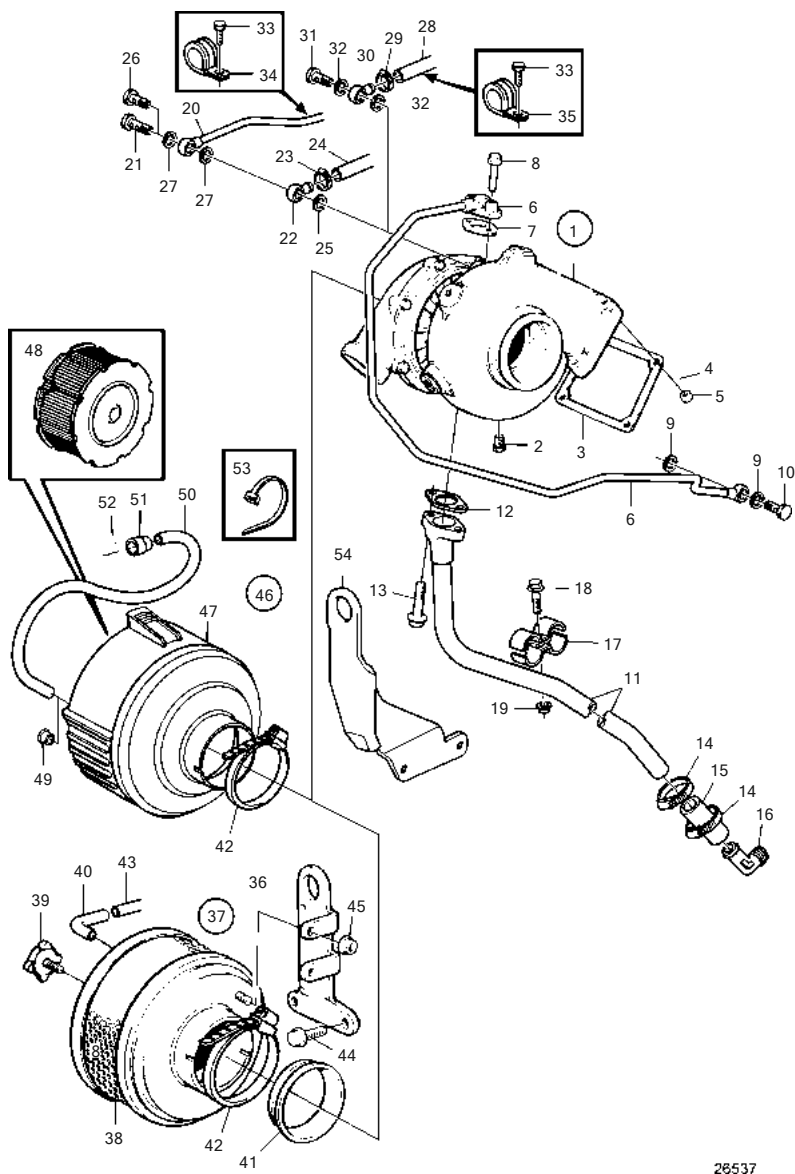
22789



AD41L-A, AD41P-A, D41L-A

REF	PART NO.	QTY	DESCRIPTION	SEE SEC.	NOTES
1	3802070	1	Turbocharger		(861260)
			· Bulletin 44-46	44-46-EN	Upgrade Turbo for D41A amd D41B Engines
1			·	1697	
2	861551	1	Plug		
3	3582676	1	Gasket kit		
4	955895	4	Washer		
5	940183	4	Hexagon nut		
6	838869	1	Oil pressure pipe		
7	420641	1	Plane gasket		
8	945444	1	Flange screw		L=25mm
	946671	1	Flange screw		L=30mm
9	969011	2	Gasket		
10	25167	1	Hollow screw		
11	838820	1	Oil return pipe		
12	860105	1	Gasket		
13	945444	2	Flange screw		
14	994559	2	Hose clamp		
15	466328	1	Hose		
16	983105	1	Hose nipple		
17	820851	2	Clamp		
18	946544	1	Flange screw		L=16mm
19	945407	1	Flange nut		
20	860215	1	Air vent hose		Turbo-thermostat housing., For earlier version of expansion tank.
21	947975	1	Hollow screw		M12
22	858750	1	Banjo nipple		
23	945652	1	Hose clamp		
24	942700	X	Hose		Expansion tank-Turbo., For earlier version of expansion tank.
25	11994	1	Gasket		
26	11994	2	Gasket		
27	942700	X	Hose		Expansion tank-Turbo., For later version of expansion tank., L=580mm
28	945652	1	Hose clamp		
29	858750	1	Banjo nipple		
30	969299	1	Hollow screw		
31	11994	2	Gasket		
32	967949	3	Flange screw		
33	952624	2	Clamp		
34	952627	1	Clamp		
35	838829	1	Lift iron		Early type
36	861434	1	Air cleaner		SN-2204157885, Repl by 3582367
			· Bulletin 44-47	44-47-EN	New Air Filter for 31, 41 and TAMD42WJ Engines
37	858488	1	· Air filter insert		
38	859729	1	· Knob		
39	861391	1	· Protecting sleeve		
40	838855	1	Sealing ring		
41	943481	1	Hose clamp		
42	946234	X	Tube		L=380mm
43	946329	2	Flange screw		Early type
44	945407	2	Flange nut		Early type
45	3582367	1	Air filter kit		SN2204157886-, Replaced by 22004848
			· Bulletin 44-47	44-47-EN	New Air Filter for 31, 41 and TAMD42WJ Engines
45	22004848	1	Air filter kit		SN2204157886-
46	21782391	1	· Air filter		SN2204157886-
47	21646645	1	· · Air filter insert		
48	940285	1	· Plug		
49		X	· Tube		L=670mm
50	861114	1	· Protecting sleeve		
51	943472	1	· Hose clamp		
52	948211	1	· Cable tie		
53	860419	1	Lifting bracket		Late type

TAMD41H-A, TAMD41H-B, TAMD41P-A, TAMD41L-A, TAMD41M-A

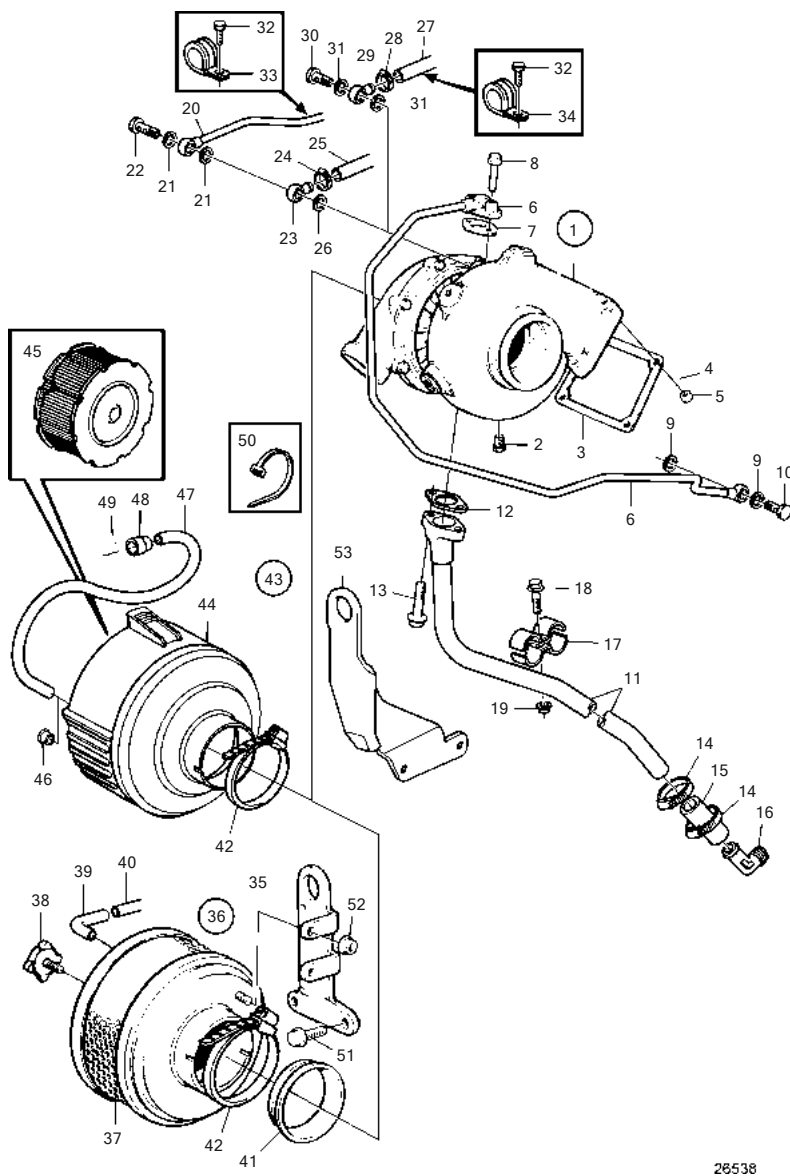


26537

TAMD41H-A, TAMD41H-B, TAMD41P-A, TAMD41L-A, TAMD41M-A

REF	PART NO.	QTY	DESCRIPTION	SEE SEC.	NOTES
1	3802070	1	Turbocharger		TAMD41P, TAMD41L, TAMD41M, (861260)
			• Bulletin 44-46	44-46-EN	Upgrade Turbo for D41A amd D41B Engines
1			•	1697	
	3802081	1	Turbocharger		TAMD41H-A, (861762)
			• parts not sold separately		
	3581191	1	Turbocharger		TAMD41H-B
			• parts not sold separately		
2	861551	1	Plug		
3	3582676	1	Gasket kit		
4	955895	4	Washer		
5	940183	4	Hexagon nut		
6	838869	1	Oil pressure pipe		
7	420641	1	Plane gasket		
8	945444	1	Flange screw		L=25mm
	946671	1	Flange screw		L=30mm
9	969011	2	Gasket		
10	25167	1	Hollow screw		
11	838820	1	Oil return pipe		
12	860105	1	Gasket		
13	945444	2	Flange screw		
14	994559	2	Hose clamp		
15	466328	1	Hose		
16	983105	1	Hose nipple		
17	820851	2	Clamp		
18	946544	1	Flange screw		L=16mm
19	945407	1	Flange nut		
20	860215	1	Air vent hose		Turbo-thermostat housing., For earlier version of expansion tank., K.C
21	947975	1	Hollow screw		Heat ex., M12
22	858750	1	Banjo nipple		Heat ex.
23	945652	1	Hose clamp		Heat ex.
24	942700	X	Hose		Expansion tank-Turbo., For earlier version of expansion tank., Heat ex.
25	11994	1	Gasket		Heat ex.
26		1	Hollow screw		K.C
27	11994	2	Gasket		
28	942700	X	Hose		Expansion tank-Turbo., For later version of expansion tank., L=580mm
29	945652	1	Hose clamp		
30	858750	1	Banjo nipple		
31	969299	1	Hollow screw		
32	11994	2	Gasket		
33	967949	3	Flange screw		
34	952624	2	Clamp		
35	952627	1	Clamp		
36	838829	1	Lift iron		Early type
37	861434	1	Air cleaner		SN-2204157885, Repl by 3582367
			• Bulletin 44-47	44-47-EN	New Air Filter for 31, 41 and TAMD42WJ Engines
38	858488	1	• Air filter insert		
39	859729	1	• Knob		
40	861391	1	• Protecting sleeve		
41	838855	1	Sealing ring		
42	943481	1	Hose clamp		
43	946234	X	Tube		L=380mm
44	946329	2	Flange screw		Early type
45	945407	2	Flange nut		Early type
46	3582367	1	Air filter kit		SN2204157886-
			• Bulletin 44-47	44-47-EN	New Air Filter for 31, 41 and TAMD42WJ Engines
46	22004848	1	Air filter kit		SN2204157886-
47	21782391	1	• Air filter		SN2204157886-
48	21646645	1	• • Air filter insert		
49	940285	1	• Plug		
50		X	• Tube		L=670mm
51	861114	1	• Protecting sleeve		
52	943472	1	• Hose clamp		
53	948211	1	• Cable tie		
54	860419	1	Lifting bracket		Late type

TMD31L-A

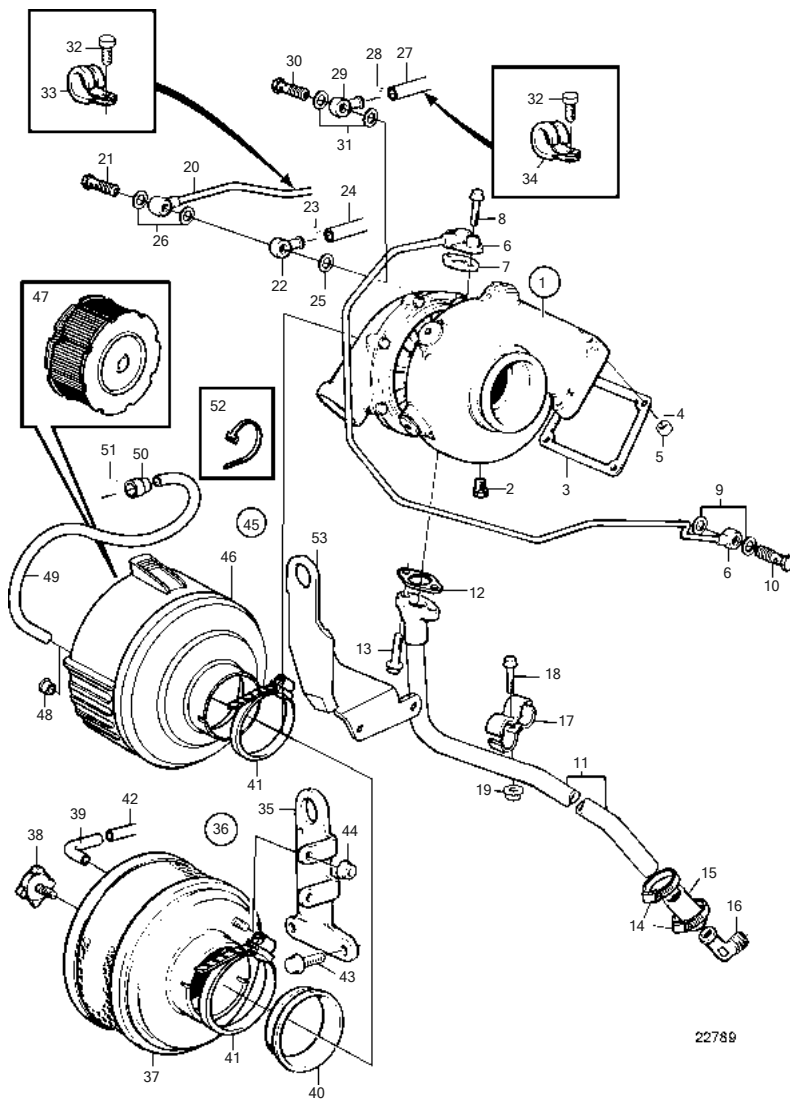


26538

TMD31L-A

REF	PART NO.	QTY	DESCRIPTION	SEE SEC.	NOTES
1	3802060	1	Turbo		SN-2203125715, (860916)
			• Turbo	860	
	3802081	1	Turbocharger		SN2203125716-, (861762)
			parts not sold separately		
2	861551	1	Plug		
3	3582676	1	Gasket kit		
4	955895	4	Washer		
5	940183	4	Hexagon nut		
6	838868	1	Oil pressure pipe		
7	420641	1	Plane gasket		
8	945444	1	Flange screw		L=25mm
	946671	1	Flange screw		L=30mm
9	969011	2	Gasket		
10	25167	1	Hollow screw		
11	838870	1	Oil return pipe		
12	860105	1	Gasket		
13	945444	2	Flange screw		
14	994559	2	Hose clamp		
15	466328	1	Hose		
16	983105	1	Hose nipple		
17	820851	2	Clamp		
18	946544	1	Flange screw		
19	945407	1	Flange nut		
20	860214	1	Air vent hose		Turbo-thermostat housing., For earlier version of expansion tank.
21	11994	2	Gasket		
22	947975	1	Hollow screw		
23	858750	1	Banjo nipple		
24	945652	1	Hose clamp		
25	942700	X	Hose		Expansion tank-Turbo., For earlier version of expansion tank.
26	11994	1	Gasket		
27	942700	X	Hose		Expansion tank-Turbo., For later version of expansion tank., L=580mm
28	945652	1	Hose clamp		
29	858750	1	Banjo nipple		
30	969299	1	Hollow screw		
31	11994	2	Gasket		
32	967949	2	Flange screw		
33	952624	1	Clamp		
34	952627	1	Clamp		
35	838829	1	Lift iron		Early type
36	861434	1	Air cleaner		SN-2204216357, Repl by 3582367
			• Bulletin 44-47	44-47-EN	New Air Filter for 31, 41 and TAMD42WJ Engines
37	858488	1	• Air filter insert		
38	859729	1	• Knob		
39	861391	1	• Protecting sleeve		
40	946234	X	Tube		L=670mm
41	838855	1	Sealing ring		
42	943481	1	Hose clamp		
43	3582367	1	Air filter kit		SN-2203129177, Replaced by 22004848
			• Bulletin 44-47	44-47-EN	New Air Filter for 31, 41 and TAMD42WJ Engines
43	22004848	1	Air filter kit		SN2203129178-
44	21782391	1	• Air filter		SN2203129178-
45	21646645	1	• • Air filter insert		
46	940285	1	• Plug		
47		X	• Tube		L=670mm
48	861114	1	• Protecting sleeve		
49	943472	1	• Hose clamp		
50	948211	1	• Cable tie		
51	946329	2	Flange screw		Early type
52	945407	2	Flange nut		Early type
53	860419	1	Lifting bracket		Late type

TMD41L-A

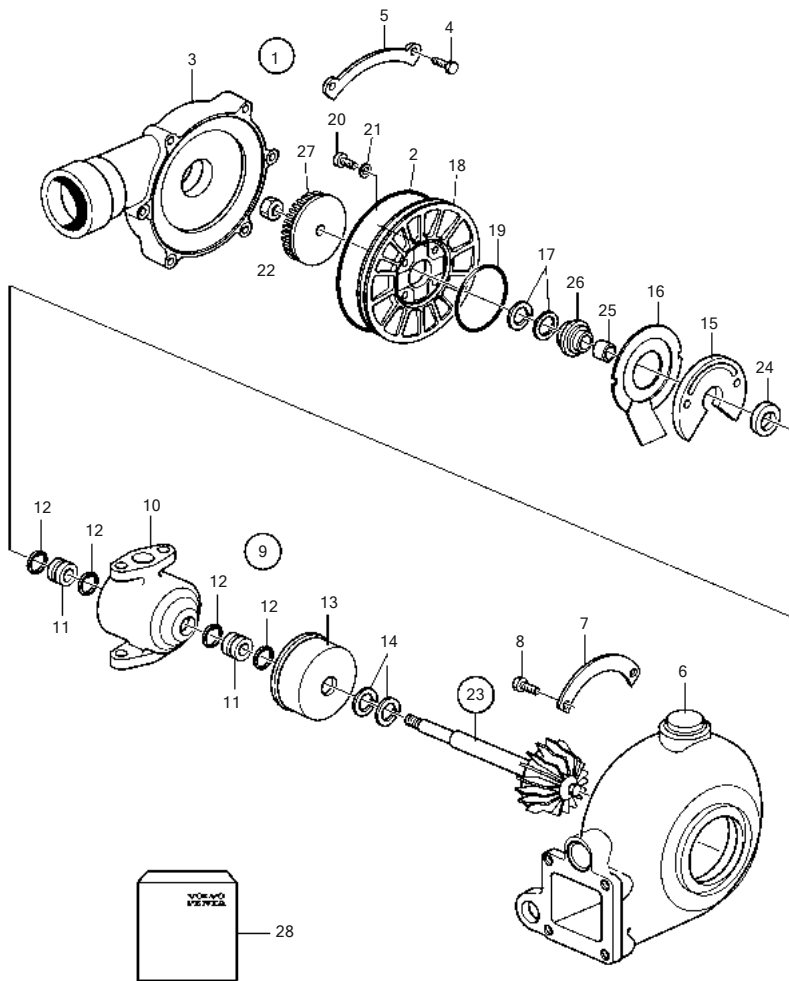


22789

TMD41L-A

REF	PART NO.	QTY	DESCRIPTION	SEE SEC.	NOTES
1	3802070	1	Turbocharger		(861260)
			• Bulletin 44-46	44-46-EN	Upgrade Turbo for D41A amd D41B Engines
1			•		
			•	1697	
2	861551	1	Plug		
3	3582676	1	Gasket kit		
4	955895	4	Washer		
5	940183	4	Hexagon nut		
6	838869	1	Oil pressure pipe		
7	420641	1	Plane gasket		
8	945444	1	Flange screw		L=25mm
	946671	1	Flange screw		L=30mm
9	969011	2	Gasket		
10	25167	1	Hollow screw		
11	838820	1	Oil return pipe		
12	860105	1	Gasket		
13	945444	2	Flange screw		
14	994559	2	Hose clamp		
15	466328	1	Hose		
16	983105	1	Hose nipple		
17	820851	2	Clamp		
18	946544	1	Flange screw		L=16mm
19	945407	1	Flange nut		
20	860215	1	Air vent hose		Turbo-thermostat housing., For earlier version of expansion tank.
21	947975	1	Hollow screw		M12
22	858750	1	Banjo nipple		
23	945652	1	Hose clamp		
24	942700	X	Hose		Expansion tank-Turbo., For earlier version of expansion tank.
25	11994	1	Gasket		
26	11994	2	Gasket		
27	942700	X	Hose		Expansion tank-Turbo., For later version of expansion tank., L=580mm
28	945652	1	Hose clamp		
29	858750	1	Banjo nipple		
30	969299	1	Hollow screw		
31	11994	2	Gasket		
32	967949	3	Flange screw		
33	952624	2	Clamp		
34	952627	1	Clamp		
35	838829	1	Lift iron		
36	861434	1	Air cleaner		SN-2204157885, Repl by 3582367
			• Bulletin 44-47	44-47-EN	New Air Filter for 31, 41 and TAMD42WJ Engines
37	858488	1	• Air filter insert		
38	859729	1	• Knob		
39	861391	1	• Protecting sleeve		
40	838855	1	Sealing ring		
41	943481	1	Hose clamp		
42	946234	X	Tube		L=380mm
43	946329	2	Flange screw		
44	945407	2	Flange nut		
45	3582367	1	Air filter kit		SN2204157886-, Replaced by 22004848
			• Bulletin 44-47	44-47-EN	New Air Filter for 31, 41 and TAMD42WJ Engines
45	22004848	1	Air filter kit		SN2204157886-
46	21782391	1	Air filter		SN2204157886-
47	21646645	1	Air filter insert		
48	940285	1	• Plug		
49		X	• Tube		L=670mm
50	861114	1	• Protecting sleeve		
51	943472	1	• Hose clamp		
52	948211	1	• Cable tie		
53	860419	1	Lifting bracket		

AD31L-A, AD31P-A, TAMD31L-A, TAMD31M-A, TAMD31P-A



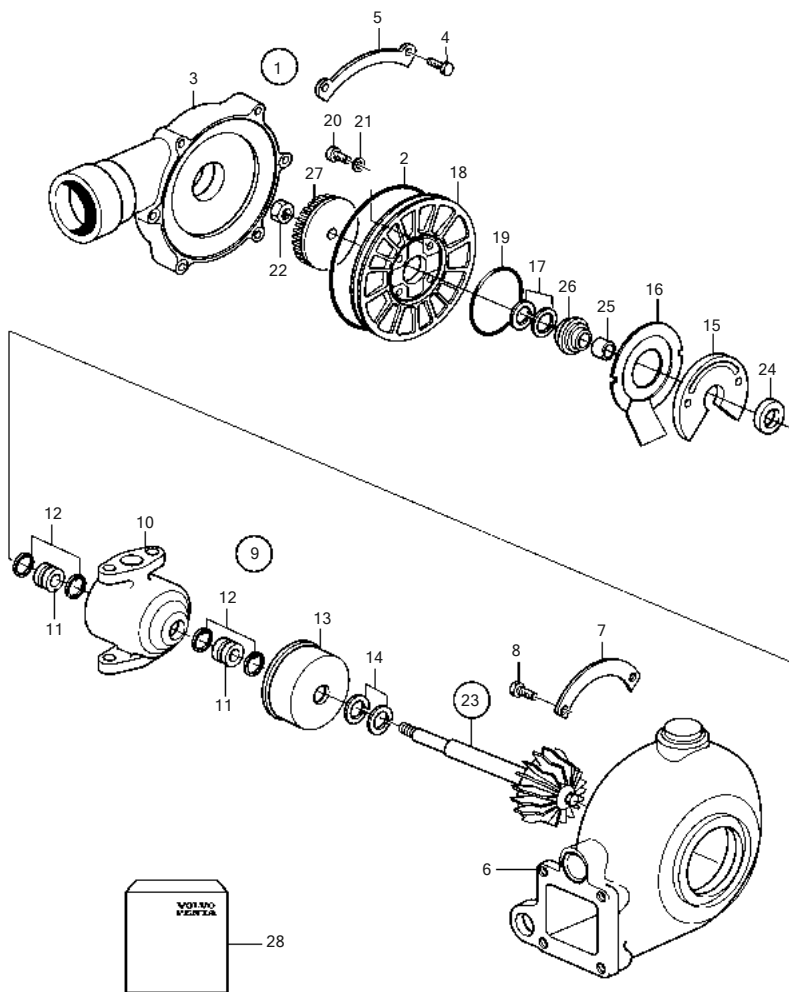
23084



AD31L-A, AD31P-A, TAMD31L-A, TAMD31M-A, TAMD31P-A

REF	PART NO.	QTY	DESCRIPTION	NOTES
1	3802082	1	Turbocharger	(3581528)
2	838567	1	• O-ring	Included in repair kit
3		1	• Housing	
4	955270	8	• Hexagon screw	Included in repair kit, (858661)
5	(858662)	4	• Segment	Obsolete part
6		1	• Turbine housing	
7	(858664)	3	• Segment	Obsolete part
8	955293	6	• Hexagon screw	
9	(858705)	1	• Bearing housing	Obsolete part
10		1	• • Bearing housing	
11	(838562)	2	• • Bushing	Obsolete part
12	(845042)	4	• • Lock ring	Obsolete part
13	(858668)	1	• • Heat shield	Obsolete part
14		2	• • Piston ring	Included in repair kit
15	(858710)	1	• • Thrust bearing	Obsolete part
16	(845047)	1	• • Oil deflector	Obsolete part
17		1	• • Piston ring	Included in repair kit
18		1	• • Cover	
19	(838426)	1	• • O-ring	Obsolete part
20	845829	4	• • Screw	
21	(838568)	4	• • Washer	Obsolete part
22		1	• • Nut	Included in repair kit
23	858707	1	• • Rotor	
24	(844000)	1	• • • Thrust ring	Obsolete part
25	(845050)	1	• • • Sleeve	Obsolete part
26	(858675)	1	• • • Seal	Obsolete part
27	(858708)	1	• • • Compressor wheel	Obsolete part
28	861501	1	Repair kit	

AD31L-A, AD31P-A, TAMD31L-A, TAMD31M-A, TAMD31P-A, TMD31L-A

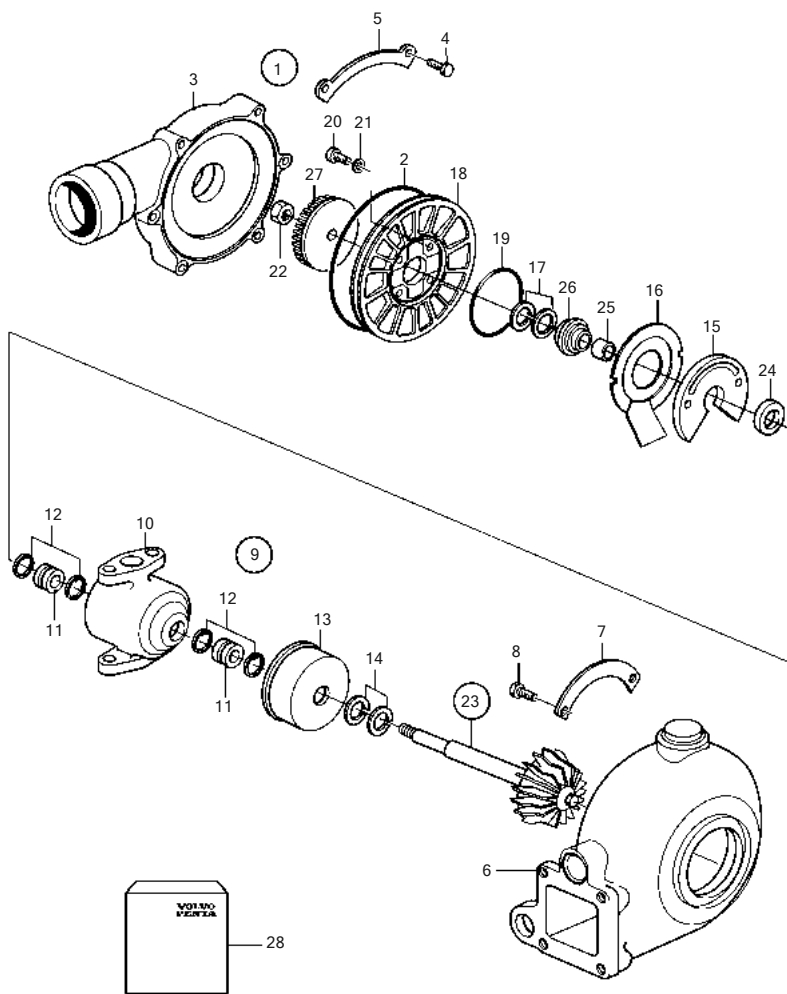


18273

AD31L-A, AD31P-A, TAMD31L-A, TAMD31M-A, TAMD31P-A, TMD31L-A

REF	PART NO.	QTY	DESCRIPTION	NOTES
1	3802060		Turbo	(860916)
2	838567	1	• O-ring	Included in repair kit
3		1	• Housing	
4	955270	8	• Hexagon screw	Included in repair kit, (858661)
5	(858662)	4	• Segment	Obsolete part
6		1	• Turbine housing	
7	(858664)	3	• Segment	Obsolete part
8	955293	6	• Hexagon screw	
9	(858705)	1	• Bearing housing	Obsolete part
10		1	• • Bearing housing	
11	(838562)	2	• • Bushing	Obsolete part
12	(845042)	4	• • Lock ring	Obsolete part
13	(858668)	1	• • Heat shield	Obsolete part
14		2	• • Piston ring	Included in repair kit
15	(858710)	1	• • Thrust bearing	Obsolete part
16	(845047)	1	• • Oil deflector	Obsolete part
17		1	• • Piston ring	Included in repair kit
18		1	• • Cover	
19	(838426)	1	• • O-ring	Obsolete part
20	845829	4	• • Screw	
21	(838568)	4	• • Washer	Obsolete part
22		1	• • Nut	Included in repair kit
23	(861503)	1	• • Shaft	Obsolete part
24	(844000)	1	• • • Thrust ring	Obsolete part
25	(845050)	1	• • • Sleeve	Obsolete part
26	(858675)	1	• • • Seal	Obsolete part
27	(3581660)	1	• • • Compressor wheel	Obsolete part
28	861501	1	Repair kit	See group 99

AD41L-A, AD41P-A, D41L-A, TAMD41H-A, TAMD41H-B, TAMD41P-A,  
TAMD41L-A, TAMD41M-A, TMD41L-A

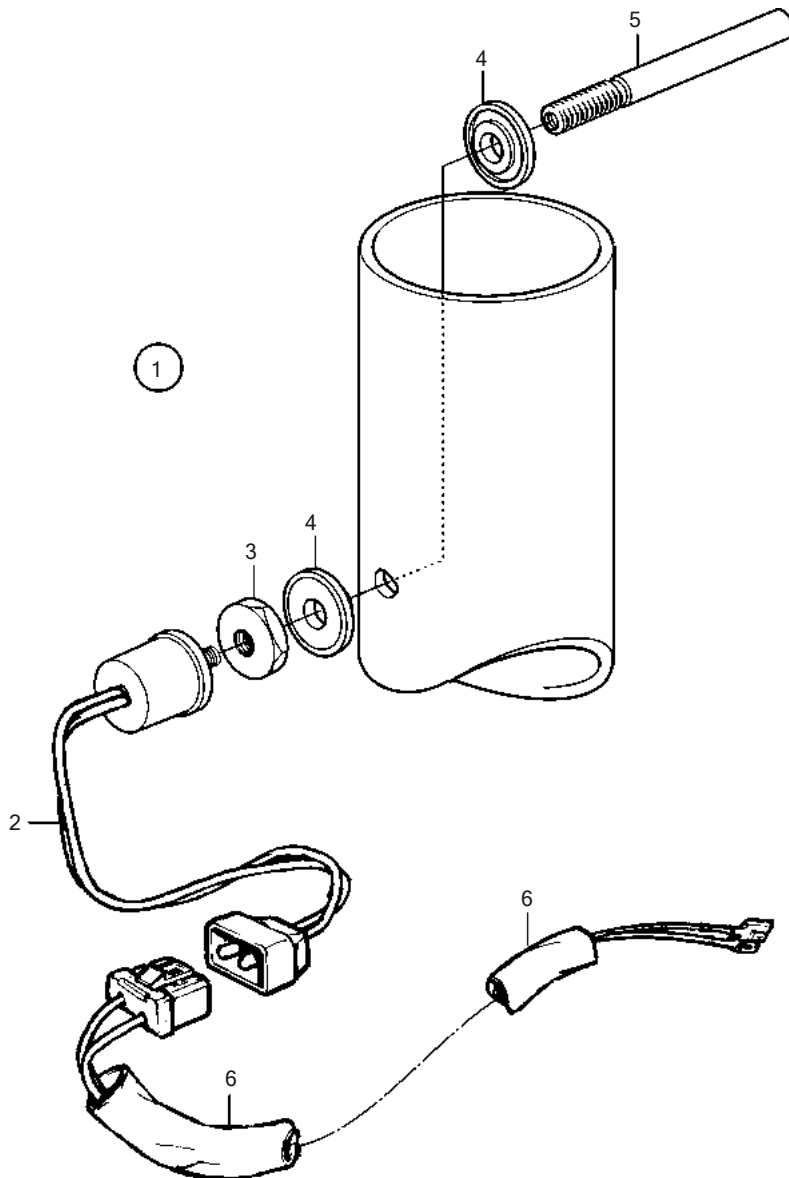


18273

**AD41L-A, AD41P-A, D41L-A, TAMD41H-A, TAMD41H-B, TAMD41P-A, TAMD41L-A, TAMD41M-A, TMD41L-A**

REF	PART NO.	QTY	DESCRIPTION	SEE SEC.	NOTES
1	3802070	1	Turbocharger		(861260)
			• Bulletin 44-46	44-46-EN	Upgrade Turbo for D41A amd D41B Engines
2	838567	1	• O-ring		
3		1	• Housing		
4	955270	8	• Hexagon screw		Included in repair kit, (858661)
5	(858662)	4	• Segment		Obsolete part
6		1	• Turbine housing		
7	(858664)	3	• Segment		Obsolete part
8	955293	6	• Hexagon screw		
9	(861506)	1	• Bearing housing		Obsolete part
10		1	• • Bearing housing		
11	(838562)	2	• • Bushing		Obsolete part
12	(845042)	4	• • Lock ring		Obsolete part
13	(858668)	1	• • Heat shield		Obsolete part
14		2	• • Piston ring		Included in repair kit
15	(838565)	1	• • Bearing		Obsolete part
16	(845047)	1	• • Oil deflector		Obsolete part
17		1	• • Piston ring		Included in repair kit
18		1	• • Cover		
19	(838426)	1	• • O-ring		Obsolete part
20		4	• • Screw		Included in repair kit
21		4	• • Washer		
22		1	• • Nut		Included in repair kit
23	(861503)	1	• • Shaft		Obsolete part
24	(844000)	1	• • • Thrust ring		Obsolete part
25	(845050)	1	• • • Sleeve		Obsolete part
26	(858675)	1	• • • Seal		Obsolete part
27	(861504)	1	• • • Compressor wheel		Obsolete part
28	861501	1	Repair kit		See group 99

AD31L-A, AD31P-A, AD41L-A, AD41P-A, D41L-A, TAM31L-A, TAM31M-A,  
TAM31P-A, TAM31S-A, TAM41H-A, TAM41H-B, TAM41P-A,  
TAM41L-A, TAM41M-A, TMD31L-A, TMD41L-A

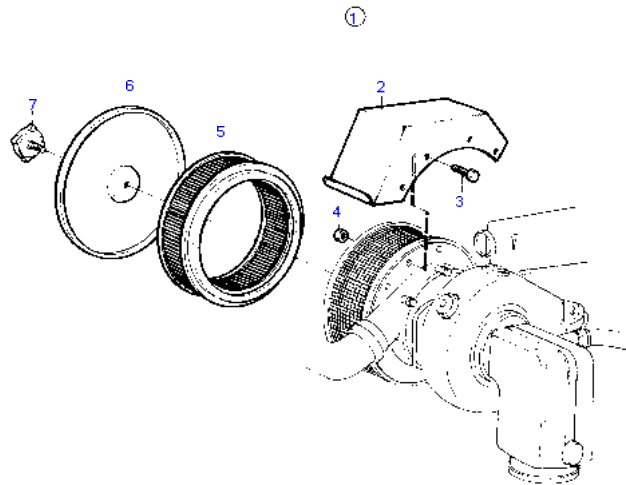


22977

AD31L-A, AD31P-A, AD41L-A, AD41P-A, D41L-A, TAMD31L-A, TAMD31M-A, TAMD31P-A, TAMD31S-A, TAMD41H-A, TAMD41H-B, TAMD41P-A, TAMD41L-A, TAMD41M-A, TMD31L-A, TMD41L-A

REF	PART NO.	QTY	DESCRIPTION	SEE SEC.	NOTES
1	(875000)	1	Thermo monitor		For engines with reverse gear., Obsolete part
2	828761	1	• Thermo monitor		80°C
3	828750	1	• Nut		
4	828776	2	• Washer		
5	828817	1	• Sensor		
6	973122	2	• Cable terminal	1963	
	949597	2	• Housing	1963	

AD31L-A, AD31P-A, AD41L-A, AD41P-A, D41L-A, TAM31L-A, TAM31M-A,  
TAM31P-A, TAM31S-A, TAM41H-A, TAM41H-B, TAM41P-A,  
TAM41L-A, TAM41M-A, TMD31L-A, TMD41L-A



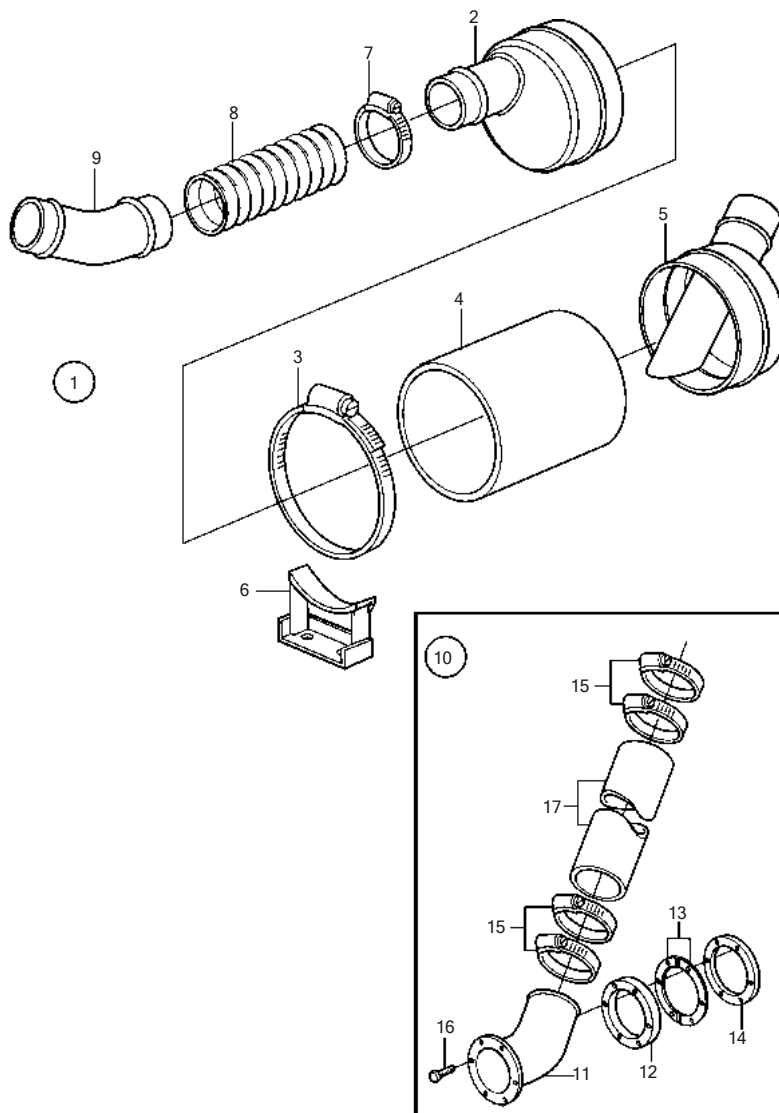
10228



AD31L-A, AD31P-A, AD41L-A, AD41P-A, D41L-A, TAMD31L-A, TAMD31M-A, TAMD31P-A, TAMD31S-A, TAMD41H-A, TAMD41H-B, TAMD41P-A, TAMD41L-A, TAMD41M-A, TMD31L-A, TMD41L-A

REF	PART NO.	QTY	DESCRIPTION	NOTES
1	(859563)	1	Drip protection	Only for air filter 861434., Obsolete part
2	859562	1	· Drip protection	
3	945358	4	· Flange screw	
4	945407	4	· Flange nut	
5	858488	1	Air filter insert	
6		1	Lock	
7	859729	1	Knob	

AD31L-A, AD31P-A, AD41L-A, AD41P-A, D41L-A, TAM31L-A, TAM31M-A,  
 TAM31P-A, TAM31S-A, TAM41H-A, TAM41H-B, TAM41P-A,  
 TAM41L-A, TAM41M-A, TMD31L-A, TMD41L-A



18288

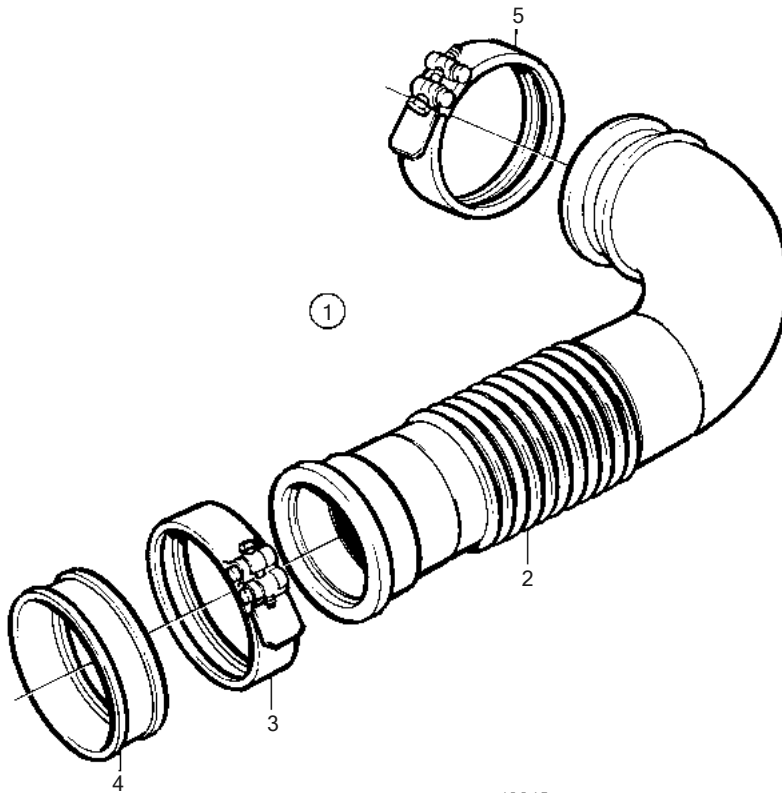
**Water Cooled Silencer and Exhaust Line**

**25**

AD31L-A, AD31P-A, AD41L-A, AD41P-A, D41L-A, TAMD31L-A, TAMD31M-A, TAMD31P-A, TAMD31S-A, TAMD41H-A, TAMD41H-B, TAMD41P-A, TAMD41L-A, TAMD41M-A, TMD31L-A, TMD41L-A

REF	PART NO.	QTY	DESCRIPTION	NOTES
1	842768	1	Muffler	
2		1	· End plate	
3	949000	4	· Hose clamp	
4	842766	1	· Exhaust hose	
5		1	· End plate	
6	842767	2	· Bracket	
7	853012	X	Hose clamp	
8	1140667	X	Exhaust hose	(828729)
9	843287	1	Riser	
10	828295	1	Hull fitting	
11	828292	1	· Hull fitting	
12	828293	1	· Expander	
13		2	· Washer	
14	828412	1	· Washer	
15	853012	4	· Hose clamp	
16	828410	6	· Screw	
17	1140667	X	· Exhaust hose	(828729)

AD31L-A, AD31P-A, AD41L-A, AD41P-A, D41L-A, TAM31L-A, TAM31M-A,  
TAM31P-A, TAM31S-A, TAM41H-A, TAM41H-B, TAM41P-A,  
TAM41L-A, TAM41M-A, TMD31L-A, TMD41L-A

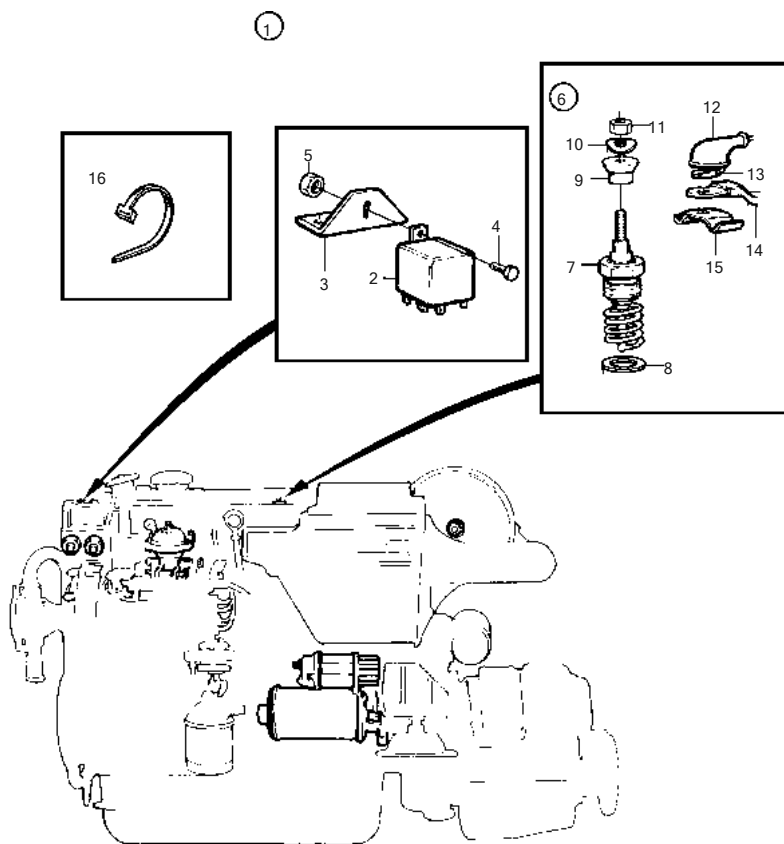


**Dry Exhaust Line****25**

AD31L-A, AD31P-A, AD41L-A, AD41P-A, D41L-A, TAMD31L-A, TAMD31M-A, TAMD31P-A, TAMD31S-A, TAMD41H-A, TAMD41H-B, TAMD41P-A, TAMD41L-A, TAMD41M-A, TMD31L-A, TMD41L-A

REF	PART NO.	QTY	DESCRIPTION
1	860000	1	Exhaust riser
2	859999	1	· Exhaust riser
3	842993	1	· V-band clamp
4	842740	1	· Flange
5	842993	1	· V-band clamp

AD31L-A, AD31P-A, AD41L-A, AD41P-A, D41L-A, TAMD31L-A, TAMD31M-A,  
 TAMD31P-A, TAMD31S-A, TAMD41H-A, TAMD41H-B, TAMD41P-A,  
 TAMD41L-A, TAMD41M-A, TMD31L-A, TMD41L-A

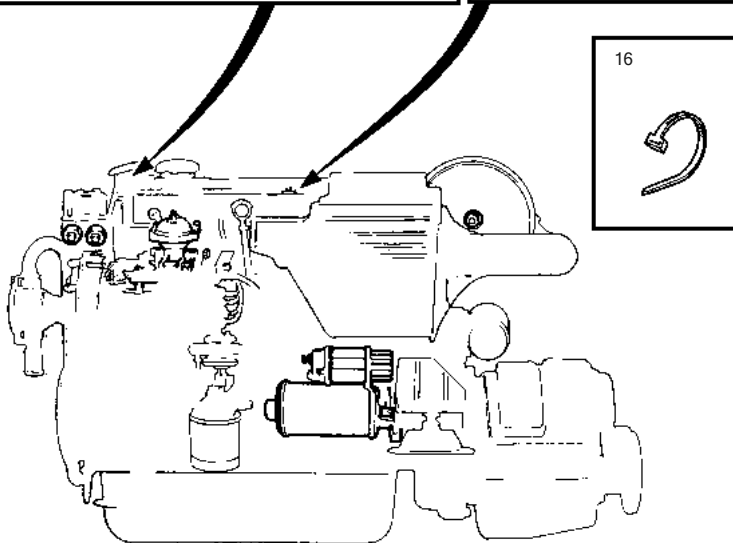
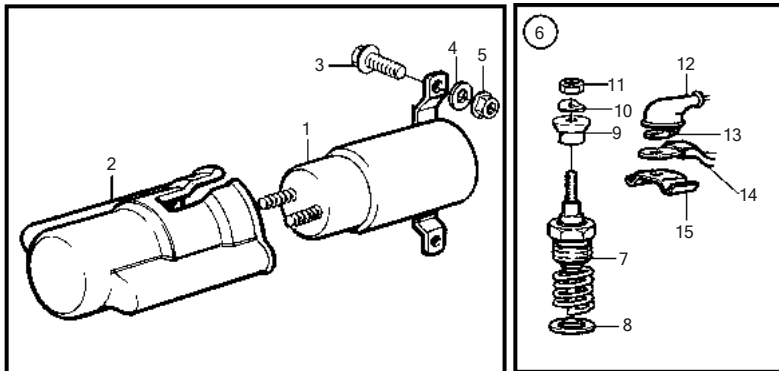


18274

AD31L-A, AD31P-A, AD41L-A, AD41P-A, D41L-A, TAMD31L-A, TAMD31M-A, TAMD31P-A,  
TAMD31S-A, TAMD41H-A, TAMD41H-B, TAMD41P-A, TAMD41L-A, TAMD41M-A,  
TMD31L-A, TMD41L-A

REF	PART NO.	QTY	DESCRIPTION	NOTES
1	860935	1	Conversion kit	For 12 voltage electric system., Repl by 874117
	874117	1	Glow plug	For 12 voltage electric system.
2	873740	1	• Relay	
3	858937	1	• Bracket	For 860935
4	969405	1	• 6 point socket screw	For 860935
	968476	1	• Flange screw	
5	965483	1	• Flange nut	For 860935
6	876132	1	• Glow plug	
7	3581635	2	• • Glow plug	
8	859211	1	• • Sealing ring	
9	859328	1	• • Thrust sleeve	
10	941905	1	• • Spring washer	
11	965483	1	• • Flange nut	
12	673580	1	• Terminal cap	
13	860173	1	• Cable kit	Alt
14	859450	1	• Rail	Alt
15	860044	1	• Switch brace	Alt
16	948211	3	Cable tie	

TAMD31L-A, TAMD31M-A, TAMD41P-A



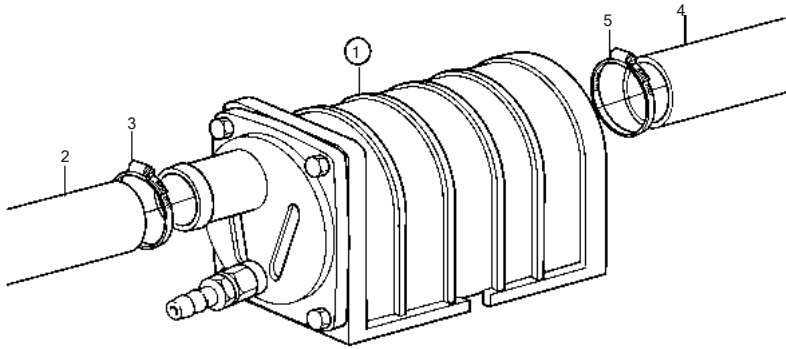
18277



TAMD31L-A, TAMD31M-A, TAMD41P-A

REF	PART NO.	QTY	DESCRIPTION	NOTES
1	872242	1	Relay	For 12 voltage electric system.
2	1581123	1	Casing	
3	948746	2	Flange screw	
4	955893	2	Washer	
5	945407	2	Flange nut	
6	876132	1	Glow plug	
7	3581635	2	• Glow plug	
8	859211	1	• Sealing ring	
9	859328	1	• Thrust sleeve	
10	941905	1	• Spring washer	
11	965483	1	• Flange nut	
12	673580	4	Terminal cap	
13	(860330)	1	Cable kit	Obsolete part
14	859451	1	Rail	Glow plug 1-2.
	859450	1	Rail	Glow plug 2-3.
	859449	1	Rail	Glow plug 3-4.
15	860044	1	Switch brace	
16	948211	3	Cable tie	

AD31L-A, AD31P-A

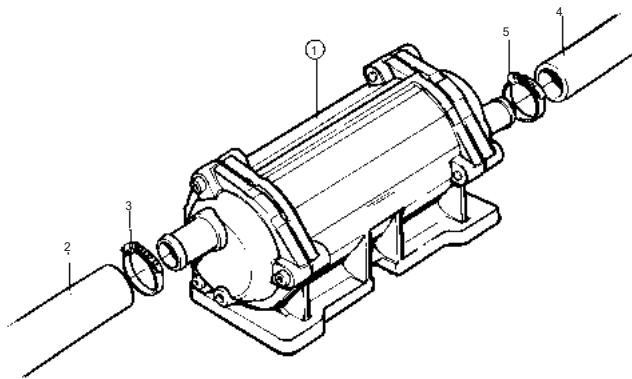


18292

AD31L-A, AD31P-A

REF	PART NO.	QTY	DESCRIPTION	SEE SEC.	NOTES
1	860633	1	Oil cooler		Repl by 861600
			.	1714	
2	860644	1	Hose		After cooler-oil cooler.
3	994560	1	Hose clamp		
4	860997	1	Hose		Sea water pump-oil cooler., Alt
	861018	1	Hose		Sea water filter-oil cooler., Alt
5	994560	1	Hose clamp		

AD31L-A, AD31P-A

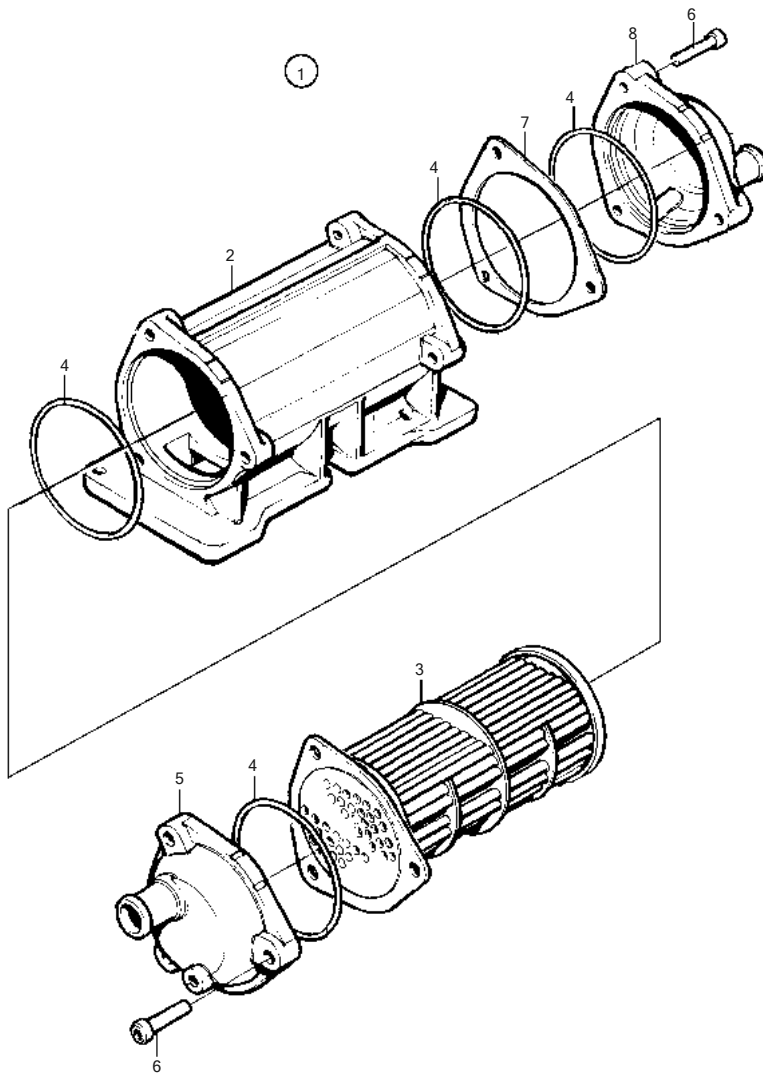


15583

AD31L-A, AD31P-A

REF	PART NO.	QTY	DESCRIPTION	SEE SEC.	NOTES
1	861600	1	Oil cooler		
			.	2748	
2	860644	1	Hose		After cooler-oil cooler.
3	994560	1	Hose clamp		
4	860997	1	Hose		Sea water pump-oil cooler., Alt
	861018	1	Hose		Sea water filter-oil cooler., Alt
5	994560	1	Hose clamp		

AD31L-A, AD31P-A, TAMD31L-A, TAMD31M-A, TAMD31P-A, TAMD31S-A,  
TAMD41H-A, TAMD41H-B, TMD31L-A

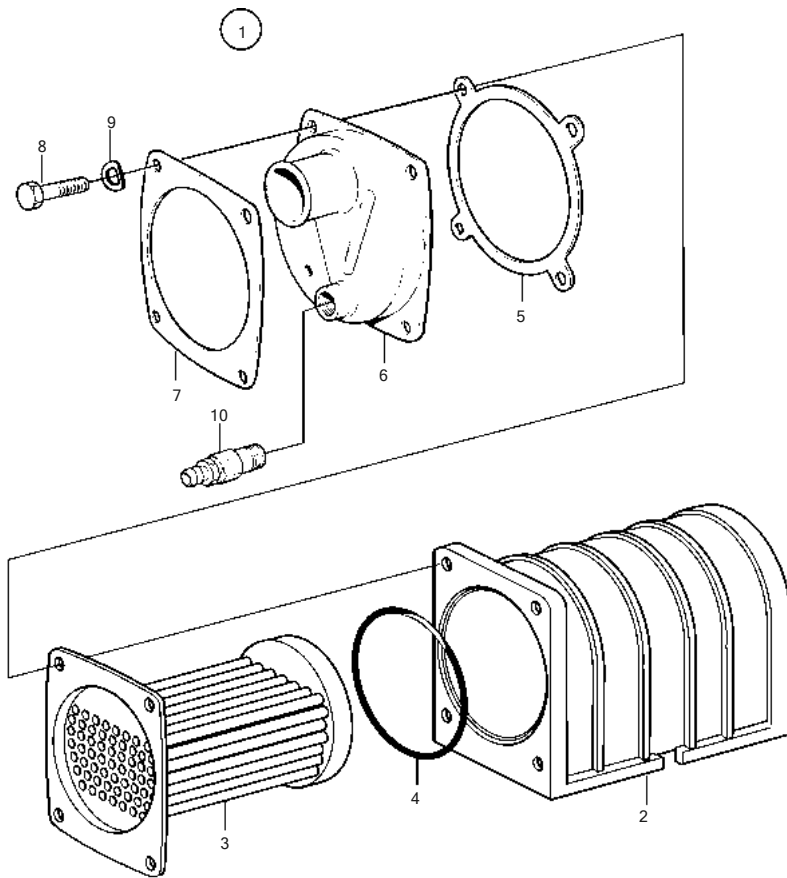


18293

AD31L-A, AD31P-A, TAM31L-A, TAM31M-A, TAM31P-A, TAM31S-A, TAM41H-A,  
TAM41H-B, TMD31L-A

REF	PART NO.	QTY	DESCRIPTION
1	861600	1	Oil cooler
2		1	• Housing
3	3580868	1	• Insert
4	3581070	4	• O-ring
5	3580867	1	• End plate
6	959224	6	• Hex. socket screw
7	3580870	1	• Washer
8	3580866	1	• End plate

AD31L-A, AD31P-A, TAMD31L-A, TAMD31M-A, TAMD31P-A, TAMD41H-A, TMD31L-A



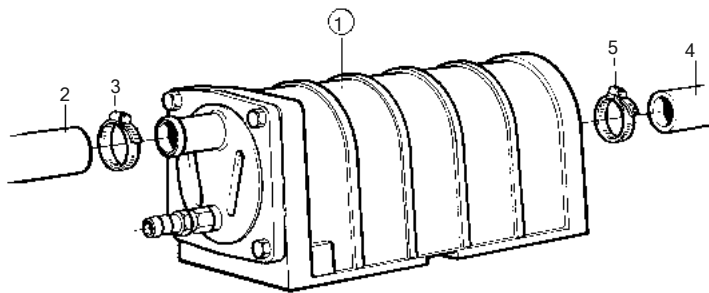
18290



AD31L-A, AD31P-A, TAM31L-A, TAM31M-A, TAM31P-A, TAM41H-A, TMD31L-A

REF	PART NO.	QTY	DESCRIPTION	SEE SEC.	NOTES
1	860633	1	Oil cooler		
2		1	• Housing		
3	860634	1	• Insert		
			• Installation Instruction 7734238	7734238-EN	Oil Cooler/Oil Cooler Insert-Cooling Water Connection
4	948981	1	• O-ring		
5	842597	1	• Gasket		
6	842602	1	• End cover		
7	842596	1	• Flange		
8	955297	4	• Hexagon screw		
9	941907	4	• Spring washer		
10	949918	1	• Shut-off cock		

AD41L-A, AD41P-A

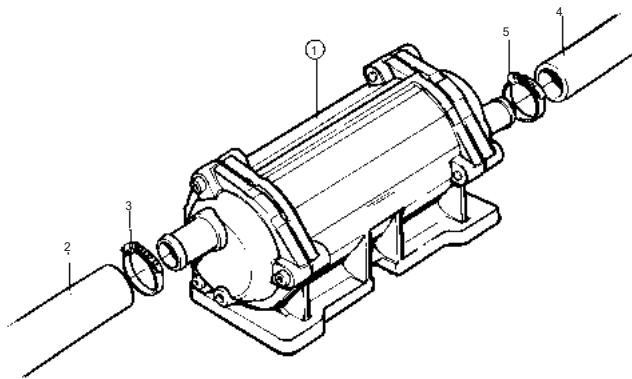


10771

AD41L-A, AD41P-A

REF	PART NO.	QTY	DESCRIPTION	SEE SEC.	NOTES
1	860635	1	Oil cooler		Repl by 861601
			.	918	
2	860404	1	Hose		After cooler-oil cooler.
3	994560	1	Hose clamp		
4	860997	1	Hose		Sea water pump-oil cooler., Alt
	861018	1	Hose		Sea water filter-oil cooler., Alt
5	994560	1	Hose clamp		

AD41L-A, AD41P-A

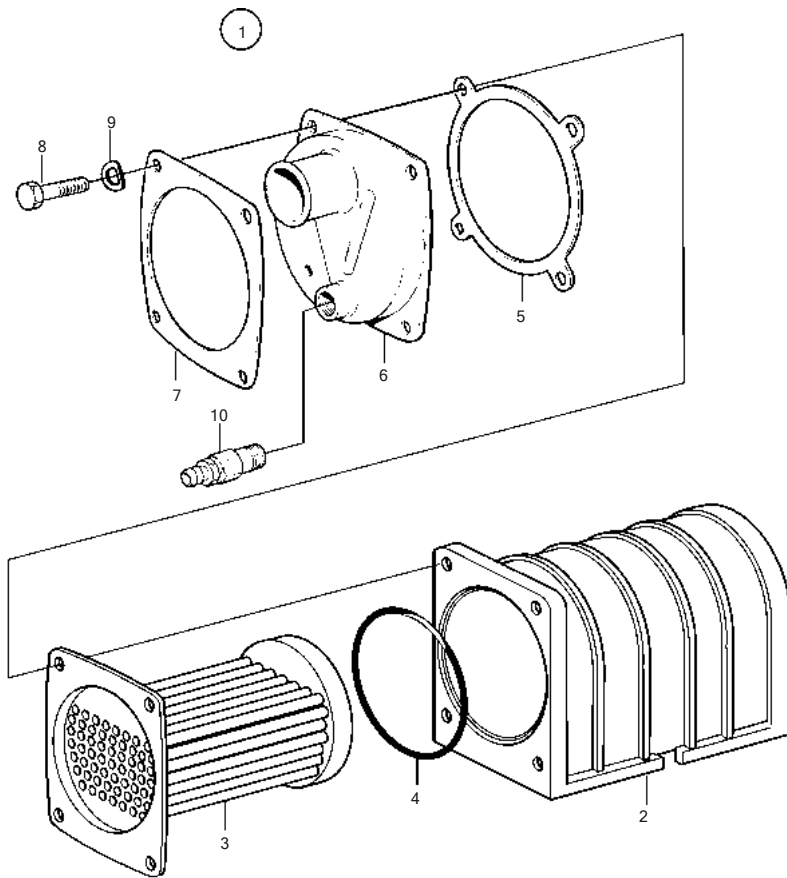


15583

AD41L-A, AD41P-A

REF	PART NO.	QTY	DESCRIPTION	SEE SEC.	NOTES
1	861601	1	Oil cooler		
			.	9730	
2	860404	1	Hose		After cooler-oil cooler.
3	994560	1	Hose clamp		
4	860997	1	Hose		Sea water pump-oil cooler., Alt
	861018	1	Hose		Sea water filter-oil cooler., Alt
5	994560	1	Hose clamp		Alt

AD41L-A, AD41P-A, D41L-A, TAM41P-A, TAM41L-A, TAM41M-A, TMD41L-A

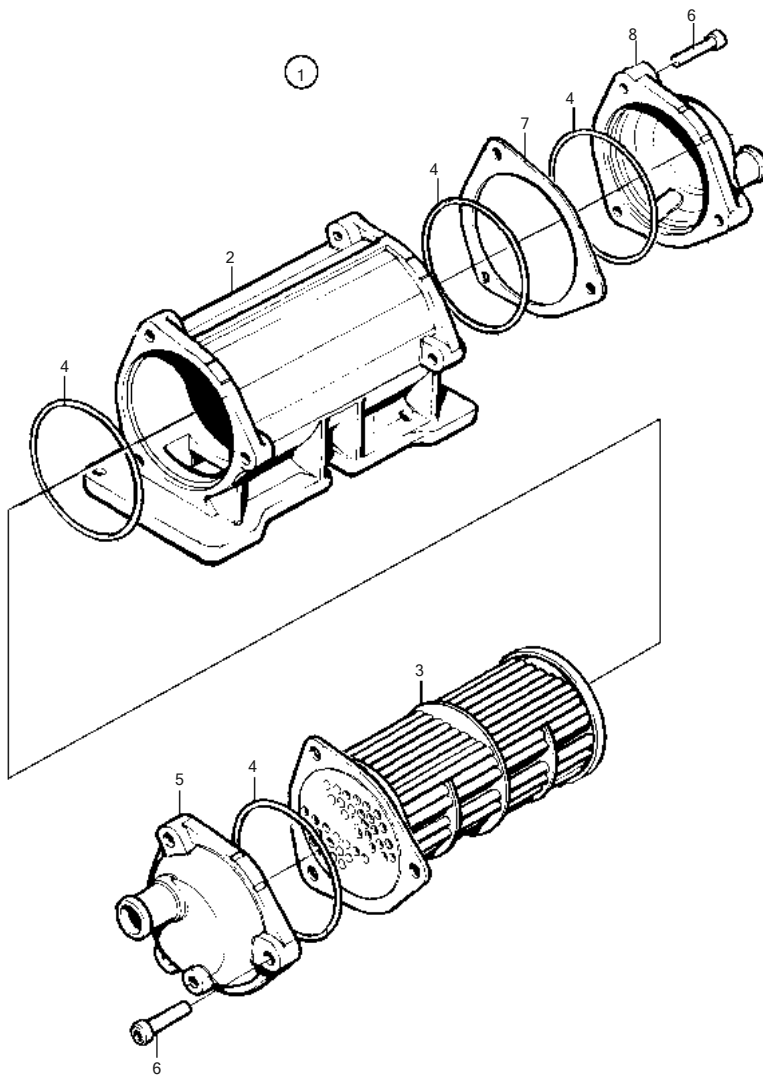


18290

AD41L-A, AD41P-A, D41L-A, TAMD41P-A, TAMD41L-A, TAMD41M-A, TMD41L-A

REF	PART NO.	QTY	DESCRIPTION
1	860635	1	Oil cooler
2		1	• Housing
3	860636	1	• Insert
4	948981	1	• O-ring
5	842597	1	• Gasket
6	842602	1	• End cover
7	842596	1	• Flange
8	955297	4	• Hexagon screw
9	941907	4	• Spring washer
10	949918	1	• Shut-off cock

AD41L-A, AD41P-A, D41L-A, TMD41L-A



18293



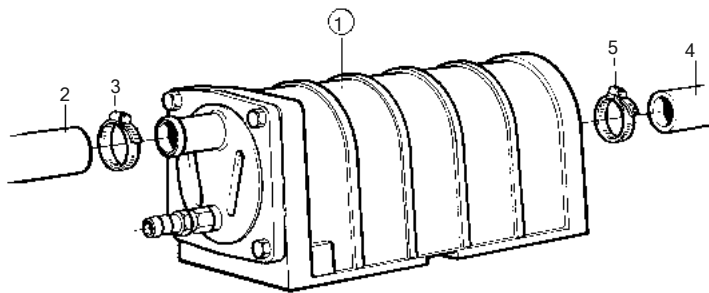
AD41L-A, AD41P-A, D41L-A, TMD41L-A

REF	PART NO.	QTY	DESCRIPTION
1	861601	1	Oil cooler
2		1	• Housing
3	3580869	1	• Insert
4	3581070	4	• O-ring
5	3580867	1	• End plate
6	959224	6	• Hex. socket screw
7	3580870	1	• Washer
8	3580866	1	• End plate

26

Oil Cooler: 860635

D41L-A



10771

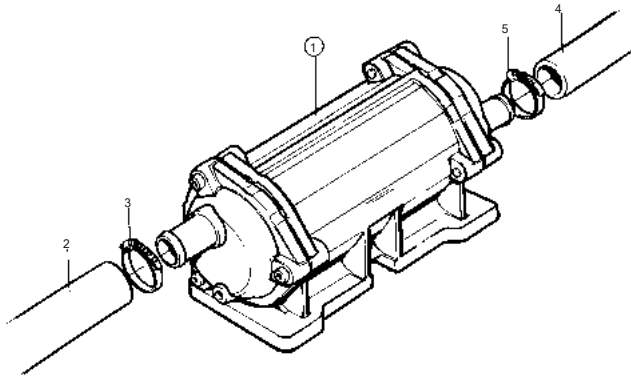
D41L-A

REF	PART NO.	QTY	DESCRIPTION	SEE SEC.	NOTES
1	860635	1	Oil cooler		Repl by 861601
			.	918	
2	860643	1	Hose		Heat exchanger-oil cooler.
3	994560	1	Hose clamp		
4	860997	1	Hose		Sea water pump-oil cooler., Alt
	861018	1	Hose		Sea water filter-oil cooler., Alt
5	994560	1	Hose clamp		

26

Oil Cooler: 861601

D41L-A

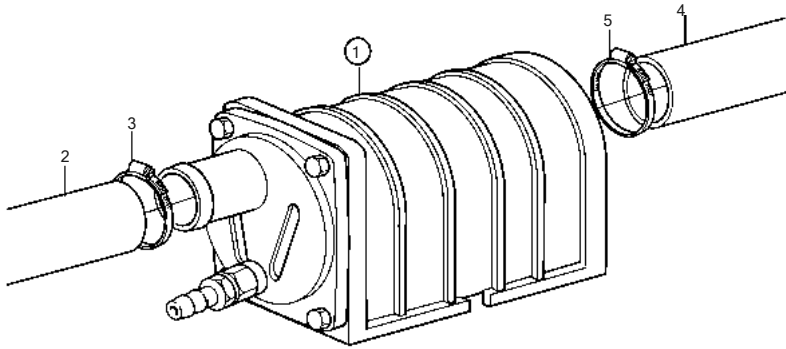


15583

D41L-A

REF	PART NO.	QTY	DESCRIPTION	SEE SEC.	NOTES
1	861601	1	Oil cooler		
			.	9730	
2	860643	1	Hose		Heat exchanger-oil cooler.
3	994560	1	Hose clamp		
4	860997	1	Hose		Sea water pump-oil cooler., Alt
	861018	1	Hose		Sea water filter-oil cooler., Alt
5	994560	1	Hose clamp		Alt

TAMD31L-A, TAMD31M-A, TAMD31P-A

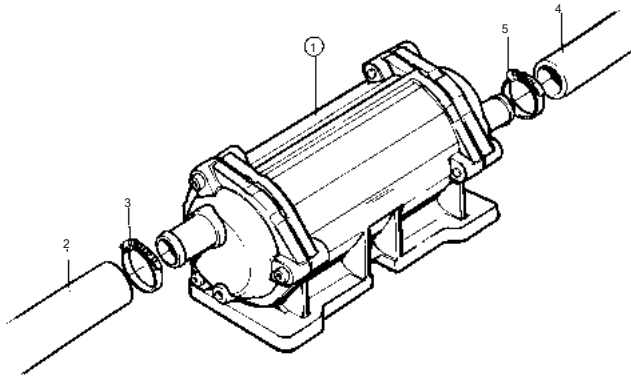


18292

TAMD31L-A, TAMD31M-A, TAMD31P-A

REF	PART NO.	QTY	DESCRIPTION	SEE SEC.	NOTES
1	860633	1	Oil cooler		Repl by 861600
			.	1714	
2	860644	1	Hose		After cooler-oil cooler.
3	994560	1	Hose clamp		
4	860997	1	Hose		Sea water pump-oil cooler.
5	994560	1	Hose clamp		

TAMD31L-A, TAMD31M-A, TAMD31P-A, TAMD31S-A



15583



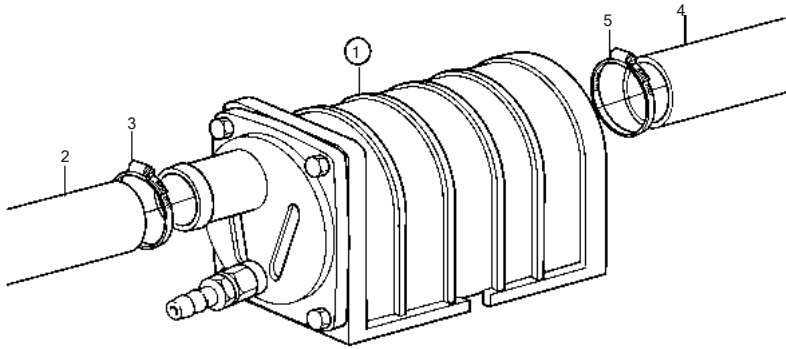
TAMD31L-A, TAMD31M-A, TAMD31P-A, TAMD31S-A

REF	PART NO.	QTY	DESCRIPTION	SEE SEC.	NOTES
1	861600	1	Oil cooler		
			.	2748	
2	860644	1	Hose		After cooler-oil cooler.
3	994560	1	Hose clamp		
4	860997	1	Hose		Sea water pump-oil cooler.
5	994560	1	Hose clamp		

26

Oil Cooler: 860633

TAMD41H-A

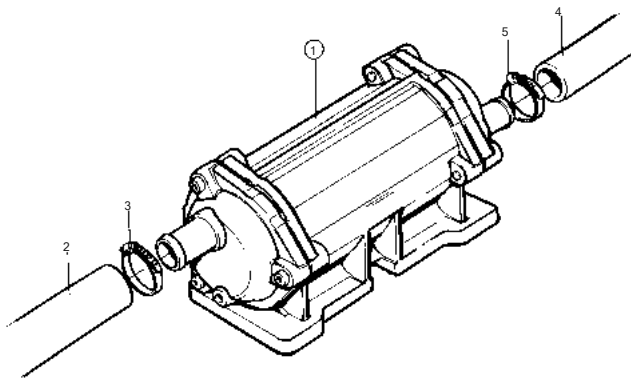


18292

TAMD41H-A

REF	PART NO.	QTY	DESCRIPTION	SEE SEC.	NOTES
1	860633	1	Oil cooler		Repl by 861600
			.	1714	
2	860404	1	Hose		After cooler-oil cooler.
3	994560	1	Hose clamp		
4	860997	1	Hose		Sea water pump-oil cooler.
5	994560	1	Hose clamp		

TAMD41H-A, TAMD41H-B

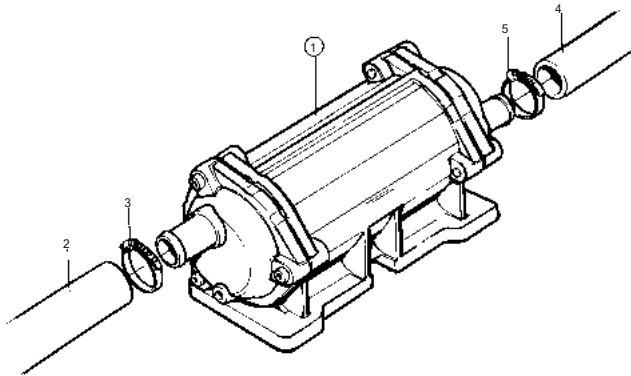


15583

TAMD41H-A, TAMD41H-B

REF	PART NO.	QTY	DESCRIPTION	SEE SEC.	NOTES
1	861600	1	Oil cooler		
			.	2748	
2	860404	1	Hose		After cooler-oil cooler.
3	994560	1	Hose clamp		
4	860997	1	Hose		Sea water pump-oil cooler.
5	994560	1	Hose clamp		

TAMD41P-A, TAMD41L-A, TAMD41M-A

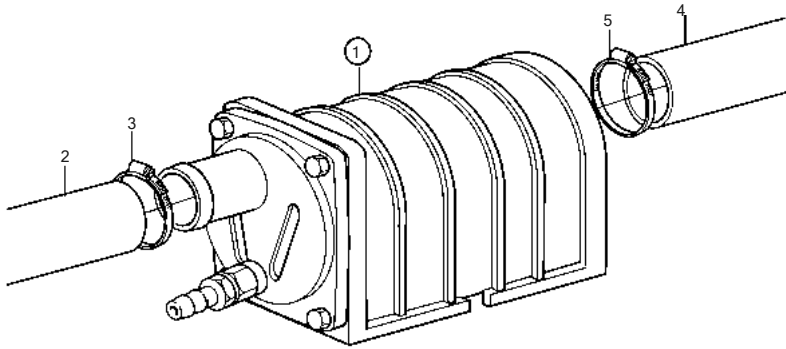


15583

TAMD41P-A, TAMD41L-A, TAMD41M-A

REF	PART NO.	QTY	DESCRIPTION	SEE SEC.	NOTES
1	861601	1	Oil cooler		
			.		
			.	9730	
2	860404	1	Hose		After cooler-oil cooler.
3	994560	1	Hose clamp		
4	860997	1	Hose		Sea water pump-oil cooler.
5	994560	1	Hose clamp		

TAMD41P-A, TAMD41L-A, TAMD41M-A



18292



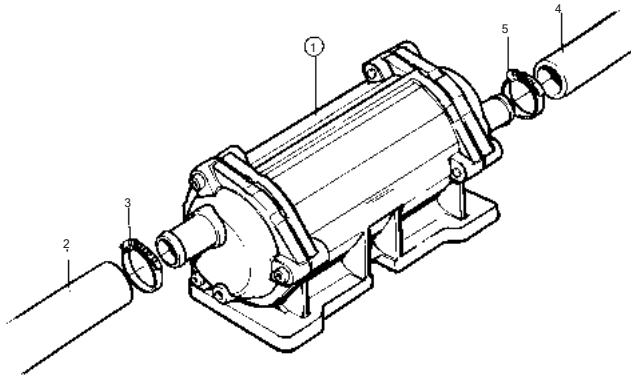
TAMD41P-A, TAMD41L-A, TAMD41M-A

REF	PART NO.	QTY	DESCRIPTION	SEE SEC.	NOTES
1	860635	1	Oil cooler		
			.	918	
2	860404	1	Hose		After cooler-oil cooler.
3	994560	1	Hose clamp		
4	860997	1	Hose		Sea water pump-oil cooler.
5	994560	1	Hose clamp		

26

Oil Cooler: 861600

TMD31L-A



15583

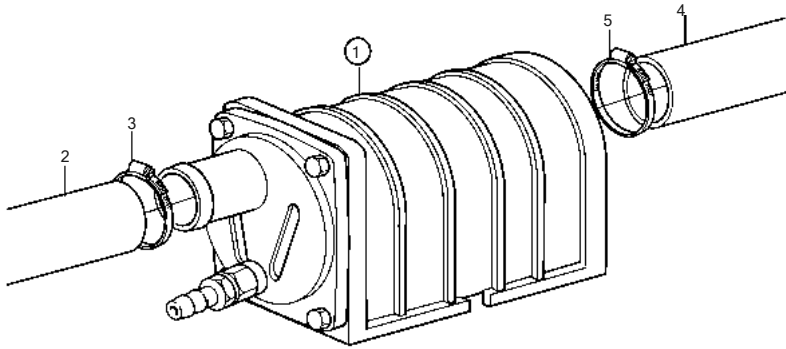
TMD31L-A

REF	PART NO.	QTY	DESCRIPTION	SEE SEC.	NOTES
1	861600	1	Oil cooler		
			.	2748	
2	861320	1	Hose		Heat exchanger-oil cooler.
3	994560	1	Hose clamp		
4	860997	1	Hose		Sea water pump-oil cooler.
5	994560	1	Hose clamp		

26

Oil Cooler: 860633

TMD31L-A



18292

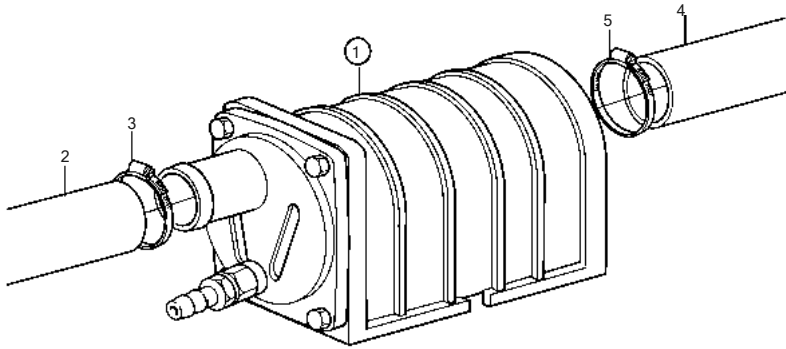
TMD31L-A

REF	PART NO.	QTY	DESCRIPTION	SEE SEC.	NOTES
1	860633	1	Oil cooler		Repl by 861600
			.	1714	
2	861320	1	Hose		Heat exchanger-oil cooler.
3	994560	1	Hose clamp		
4	860997	1	Hose		Sea water pump-oil cooler.
5	994560	1	Hose clamp		

26

Oil Cooler: 860635

TMD41L-A

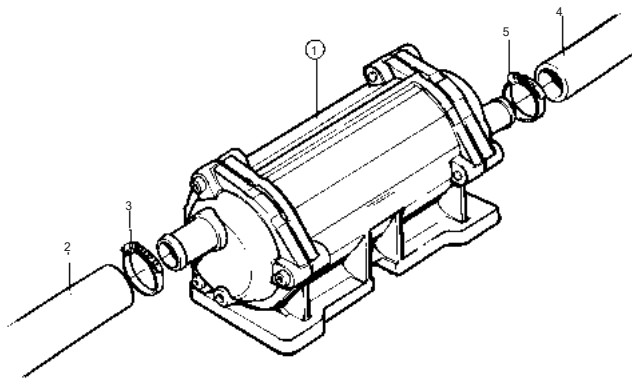


18292

TMD41L-A

REF	PART NO.	QTY	DESCRIPTION	SEE SEC.	NOTES
1	860635	1	Oil cooler		Repl by 861601
			.	918	
2	860643	1	Hose		Heat exchanger-oil cooler.
3	994560	1	Hose clamp		
4	860997	1	Hose		Sea water pump-oil cooler.
5	994560	1	Hose clamp		

TMD41L-A



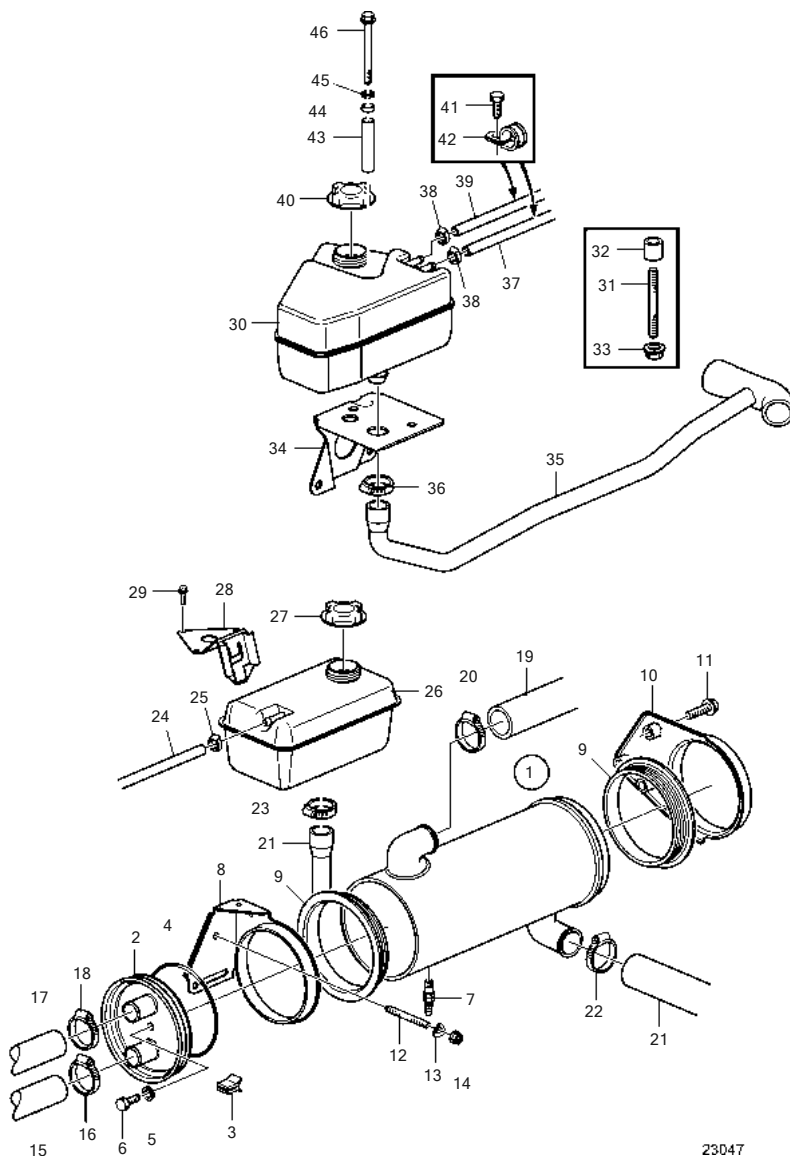
15583



TMD41L-A

REF	PART NO.	QTY	DESCRIPTION	SEE SEC.	NOTES
1	861601	1	Oil cooler		
			.		
			.	9730	
2	860643	1	Hose		Heat exchanger-oil cooler.
3	994560	1	Hose clamp		
4	860997	1	Hose		Sea water pump-oil cooler.
5	994560	1	Hose clamp		

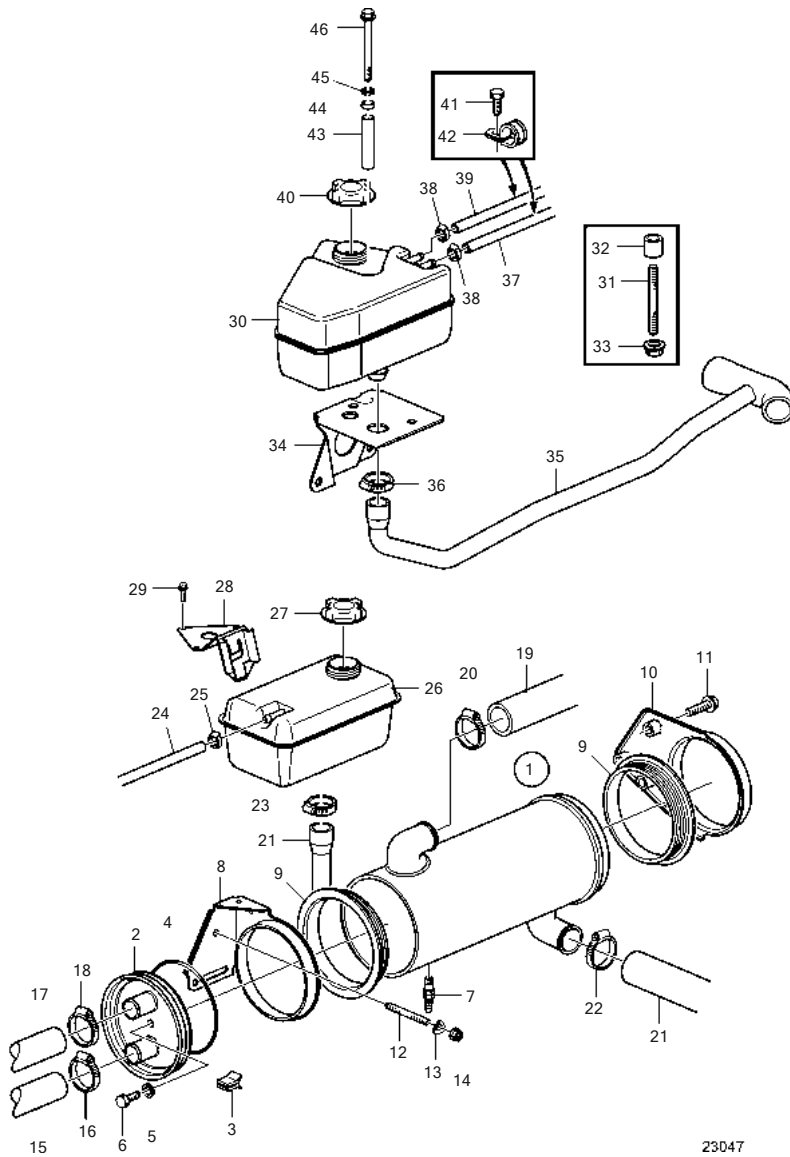
TMD31L-A



TMD31L-A

REF	PART NO.	QTY	DESCRIPTION	SEE SEC.	NOTES
1	3586704	1	Heat exchanger		
2	861308	1	• Cardboard tube		
3	860127	3	• Sealing strip		
4	925027	1	• O-ring		
5	964106	1	• Gasket		
6	963567	1	• Hexagon screw		
7	949918	1	• Shut-off cock		
8	3580719	1	Bracket		
9	838733	2	Adapter		
10	3580717	1	Bracket		
11	965185	3	Flange screw		
12	953003	1	Stud		L=130mm
	953007	1	Stud		L=150mm
13	941908	2	Spring washer		
14	971095	2	Flange nut		
15	861320	1	Hose		Heat exchanger-oil cooler.
16	994560	1	Hose clamp		
17	944386	X	Rubber hose		Heat exchanger-exhaust riser., L=370mm
18	994560	1	Hose clamp		
19	861111	1	Hose		Thermostat housing-heat exchanger.
20	994562	1	Hose clamp		
21	861279	1	Hose		
22	943478	2	Hose clamp		
23	994559	1	Hose clamp		
24	942700	X	Hose		L=300mm
25	945652	1	Hose clamp		
26	861105	1	Expansion tank		For earlier version of expansion tank.
			• Bulletin P-18-4-4	P-18-4-4-EN	Coolant Recommendations for Gas Engines
			• Bulletin p-26-1-7	p-26-1-7-EN	Coolant Capacity, FWC Gas Engines
27	1674083	1	Pressure cap		
28	3582348	1	Bracket		
29	946544	3	Flange screw		
30	3580941	1	Expansion tank		For later version of expansion tank.
31	953003	1	Stud		
	953005	1	Stud		
	980835	1	Stud		
32	849845	1	Spacer sleeve		
33	971095	3	Flange nut		
34	3581039	1	Bracket		TAMD31M-A, TAMD31P-A,
35	3581097	1	Hose		Heat exchanger-expansion tank-water pump.
36	994559	1	Hose clamp		
37	942700	X	Hose		Expansion tank-thermostat housing., L=440mm
38	945652	2	Hose clamp		
39	942700	X	Hose		Expansion tank-Turbo., L=580mm
40	1674083	1	Pressure cap		
41	967949	2	Flange screw		
42	952627	2	Clamp		
43	3581032	1	Spacer sleeve		
44	3285120	1	Spacer sleeve		
45	976944	1	Washer		
46	968999	1	Flange screw		

TAMD31L-A, TAMD31M-A, TAMD31P-A, TAMD31S-A

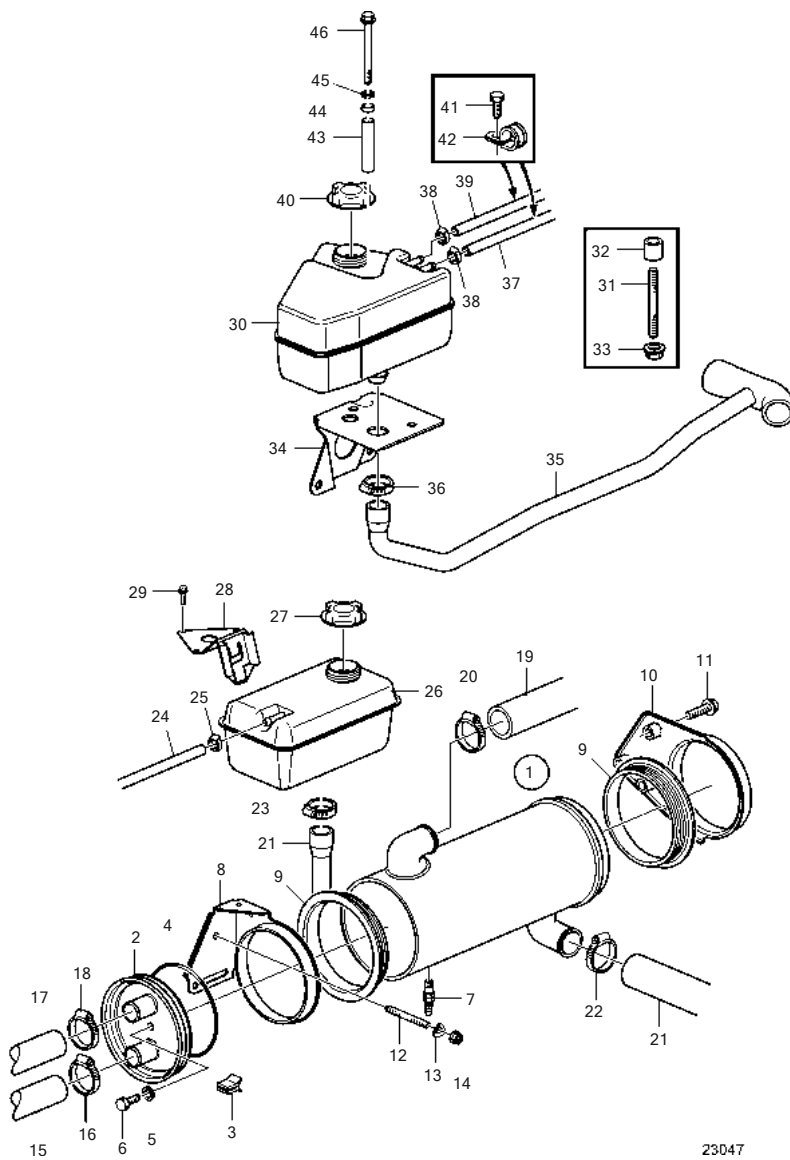


23047

TAMD31L-A, TAMD31M-A, TAMD31P-A, TAMD31S-A

REF	PART NO.	QTY	DESCRIPTION	SEE SEC.	NOTES
1	3586704	1	Heat exchanger		
2	861308	1	• Cardboard tube		
3	860127	3	• Sealing strip		
4	925027	1	• O-ring		
5	964106	1	• Gasket		
6	963567	1	• Hexagon screw		
7	949918	1	• Shut-off cock		
8	3580719	1	Bracket		
9	838733	2	Adapter		
10	3580717	1	Bracket		
11	965185	3	Flange screw		
12	953003	1	Stud		L=130mm
	953007	1	Stud		L=150mm
13	941908	2	Spring washer		
14	971095	2	Flange nut		
15	860645	1	Hose		Heat exchanger-after cooler.
16	994560	1	Hose clamp		
17	860828	1	Hose		Heat exchanger-exhaust riser.
18	994560	1	Hose clamp		
19	861111	1	Hose		Thermostat housing-heat exchanger.
20	994562	1	Hose clamp		
21	861279	1	Hose		
22	943478	2	Hose clamp		
23	994559	1	Hose clamp		
24	942700	X	Hose		L=300mm
25	945652	1	Hose clamp		
26	861105	1	Expansion tank		For earlier version of expansion tank.
			• Bulletin P-18-4-4	P-18-4-4-EN	Coolant Recommendations for Gas Engines
			• Bulletin p-26-1-7	p-26-1-7-EN	Coolant Capacity, FWC Gas Engines
27	1674083	1	Pressure cap		
28	3582348	1	Bracket		
29	946544	3	Flange screw		
30	3580941	1	Expansion tank		For later version of expansion tank.
31	953003	1	Stud		
	953005	1	Stud		
	980835	1	Stud		
32	849845	1	Spacer sleeve		
33	971095	3	Flange nut		
34	3581039	1	Bracket		TAMD31M-A, TAMD31P-A,
35	3581097	1	Hose		Heat exchanger-expansion tank-water pump.
36	994559	1	Hose clamp		
37	942700	X	Hose		Expansion tank-thermostat housing., L=440mm
38	945652	2	Hose clamp		
39	942700	X	Hose		Expansion tank-Turbo., L=580mm
40	1674083	1	Pressure cap		
41	967949	2	Flange screw		
42	952627	2	Clamp		
43	3581032	1	Spacer sleeve		
44	3285120	1	Spacer sleeve		
45	976944	1	Washer		
46	968999	1	Flange screw		

AD31L-A, AD31P-A

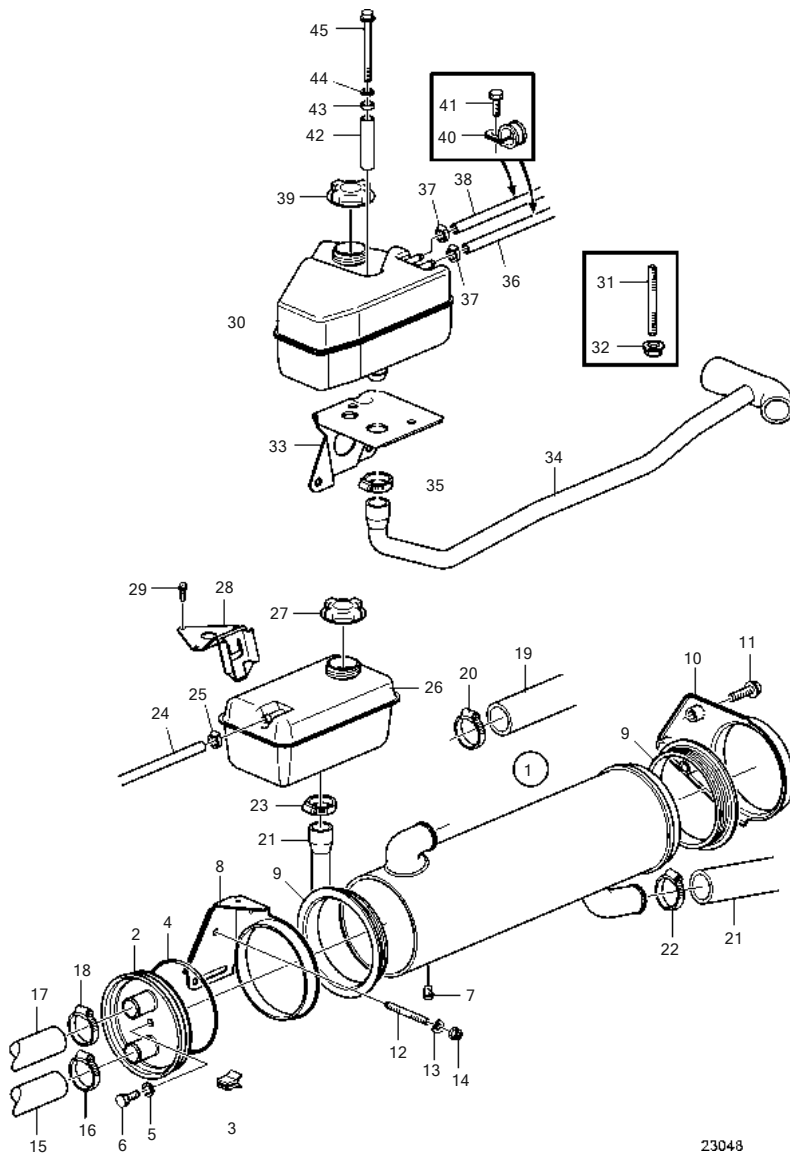


23047

AD31L-A, AD31P-A

REF	PART NO.	QTY	DESCRIPTION	SEE SEC.	NOTES
1	3586704	1	Heat exchanger		
2	861308	1	• Cardboard tube		
3	860127	3	• Sealing strip		
4	925027	1	• O-ring		
5	964106	1	• Gasket		
6	963567	1	• Hexagon screw		
7	949918	1	• Shut-off cock		
8	3580719	1	Bracket		
9	838733	2	Adapter		
10	3580717	1	Bracket		
11	965185	3	Flange screw		
12	953003	1	Stud		L=130mm
	953007	1	Stud		L=150mm
13	941908	2	Spring washer		
14	971095	2	Flange nut		
15	860645	1	Hose		Heat exchanger-after cooler.
16	994560	1	Hose clamp		
17	860828	1	Hose		Heat exchanger-exhaust riser.
18	994560	1	Hose clamp		
19	861111	1	Hose		Thermostat housing-heat exchanger.
20	994562	1	Hose clamp		
21	861279	1	Hose		
22	943478	2	Hose clamp		
23	994559	1	Hose clamp		
24	942700	X	Hose		L=300mm
25	945652	1	Hose clamp		
26	861105	1	Expansion tank		For earlier version of expansion tank.
			• Bulletin P-18-4-4	P-18-4-4-EN	Coolant Recommendations for Gas Engines
			• Bulletin p-26-1-7	p-26-1-7-EN	Coolant Capacity, FWC Gas Engines
27	1674083	1	Pressure cap		
28	3582348	1	Bracket		
29	946544	3	Flange screw		
30	3580941	1	Expansion tank		For later version of expansion tank.
31	953003	1	Stud		
	953005	1	Stud		
	980835	1	Stud		
32	849845	1	Spacer sleeve		
33	971095	3	Flange nut		
35	3581097	1	Hose		Heat exchanger-expansion tank-water pump.
36	994559	1	Hose clamp		
37	942700	X	Hose		Expansion tank-thermostat housing., L=440mm
38	945652	2	Hose clamp		
39	942700	X	Hose		Expansion tank-Turbo., L=580mm
40	1674083	1	Pressure cap		
41	967949	2	Flange screw		
42	952627	2	Clamp		
43	3581032	1	Spacer sleeve		
44	3285120	1	Spacer sleeve		
45	976944	1	Washer		
46	968999	1	Flange screw		

TAMD41H-A, TAMD41H-B, TAMD41P-A, TAMD41L-A, TAMD41M-A,  
TMD41L-A



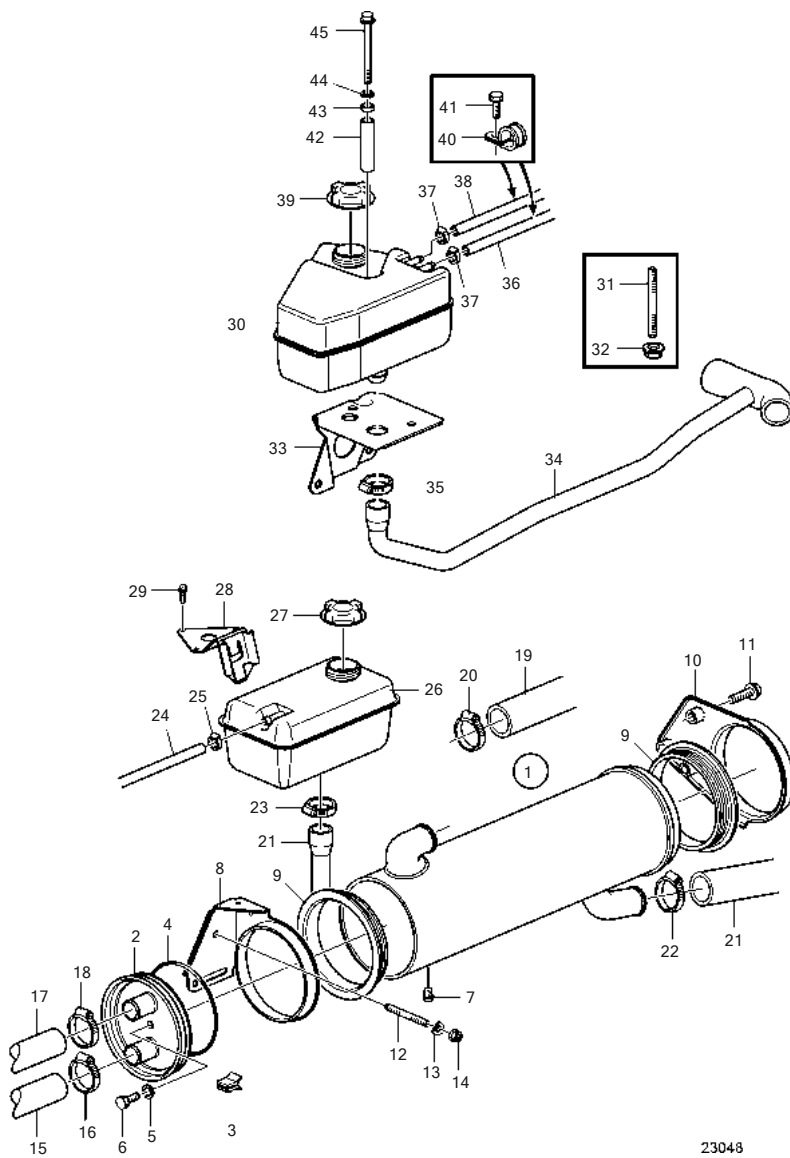
23048



TAMD41H-A, TAMD41H-B, TAMD41P-A, TAMD41L-A, TAMD41M-A, TMD41L-A

REF	PART NO.	QTY	DESCRIPTION	SEE SEC.	NOTES
1	861082	1	Heat exchanger		
			• Bulletin 44-41	44-41-EN	New silencer kit for KAD/KAMD42-A
2	861308	1	• Cardboard tube		
3	860127	3	• Sealing strip		
4	925027	1	• O-ring		
5	964106	1	• Gasket		
6	963567	1	• Hexagon screw		
7	861551	1	• Plug		
8	3580719	1	Bracket		
9	838733	2	Adapter		
10	3580717	1	Bracket		
11	965185	3	Flange screw		
12	953003	1	Stud		L=130mm
					L=150mm
13	941908	2	Spring washer		
14	971095	2	Flange nut		
15	860643	1	Hose		Heat exchanger-oil cooler.
16	994560	1	Hose clamp		
17	944386	X	Rubber hose		Heat exchanger-exhaust riser., L=370mm
18	994560	1	Hose clamp		
19	861110	1	Hose		Thermostat housing-heat exchanger.
20	994562	1	Hose clamp		
21	861113	1	Hose		
22	943478	2	Hose clamp		
23	994559	1	Hose clamp		
24	942700	X	Hose		L=300mm
25	945652	1	Hose clamp		
26	861105	1	Expansion tank		For earlier version of expansion tank.
			• Bulletin P-18-4-4	P-18-4-4-EN	Coolant Recommendations for Gas Engines
			• Bulletin p-26-1-7	p-26-1-7-EN	Coolant Capacity, FWC Gas Engines
27	1674083	1	Pressure cap		
28	3582348	1	Bracket		
29	946544	3	Flange screw		
30	3580941	1	Expansion tank		For later version of expansion tank.
31	953003	1	Stud		
	953005	1	Stud		
	980835	1	Stud		
32	971095	3	Flange nut		
33	3581039	1	Bracket		
34	3581098	1	Hose		Heat exchanger-expansion tank-water pump.
35	994559	1	Hose clamp		
36	942700	X	Hose		Expansion tank-thermostat housing., L=660mm
37	945652	2	Hose clamp		
38	942700	X	Hose		Expansion tank-Turbo., L=580mm
39	1674083	1	Pressure cap		
40	952627	2	Clamp		
41	967949	2	Flange screw		
42	3581032	1	Spacer sleeve		
43	3285120	1	Spacer sleeve		
44	976944	1	Washer		
45	968999	1	Flange screw		

D41L-A

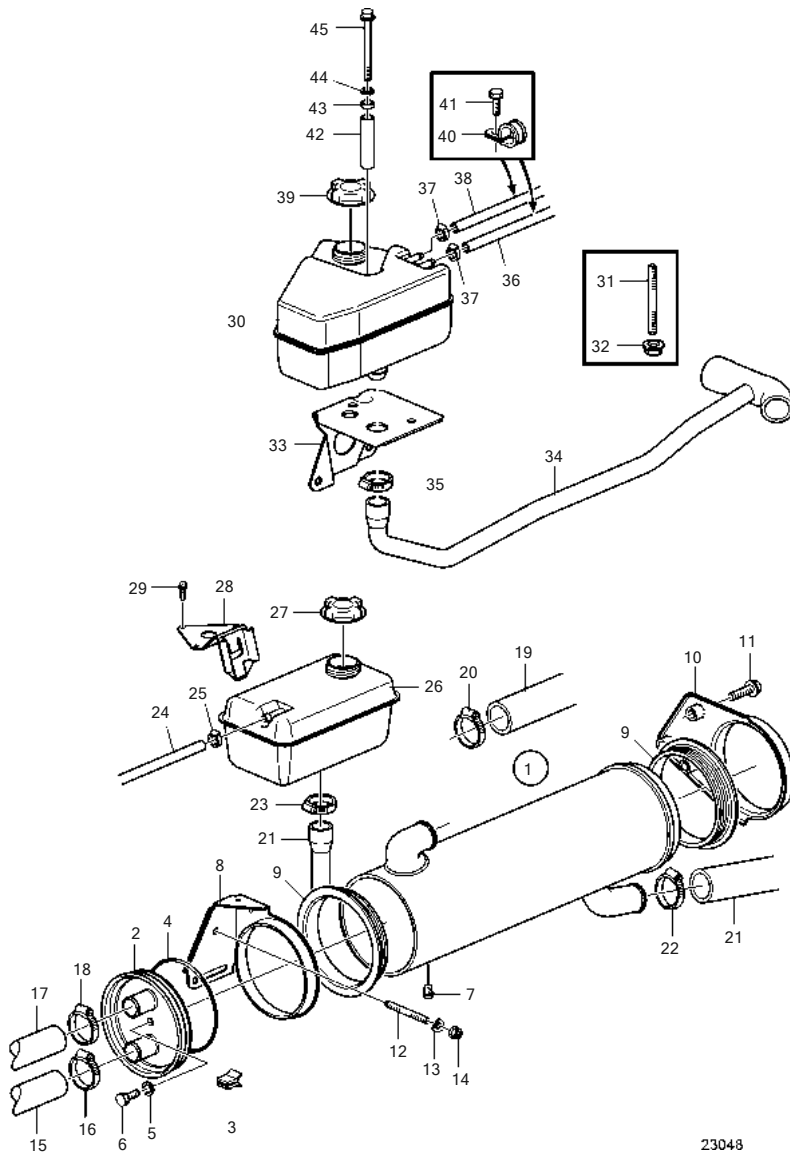


23048

D41L-A

REF	PART NO.	QTY	DESCRIPTION	SEE SEC.	NOTES
1	861082	1	Heat exchanger		
			• Bulletin 44-41	44-41-EN	New silencer kit for KAD/KAMD42-A
2	861308	1	• Cardboard tube		
3	860127	3	• Sealing strip		
4	925027	1	• O-ring		
5	964106	1	• Gasket		
6	963567	1	• Hexagon screw		
7	861551	1	• Plug		
8	3580719	1	Bracket		
9	838733	2	Adapter		
10	3580717	1	Bracket		
11	965185	3	Flange screw		
12	953003	1	Stud		L=130mm
					L=150mm
13	941908	2	Spring washer		
14	971095	2	Flange nut		
15	860645	1	Hose		Heat exchanger-after cooler.
16	994560	1	Hose clamp		
17	944386	X	Rubber hose		Heat exchanger-exhaust riser., L=370mm
18	994560	1	Hose clamp		
19	861110	1	Hose		Thermostat housing-heat exchanger.
20	994562	1	Hose clamp		
21	861113	1	Hose		
22	943478	2	Hose clamp		
23	994559	1	Hose clamp		
24	942700	X	Hose		L=300mm
25	945652	1	Hose clamp		
26	861105	1	Expansion tank		For earlier version of expansion tank.
			• Bulletin P-18-4-4	P-18-4-4-EN	Coolant Recommendations for Gas Engines
			• Bulletin p-26-1-7	p-26-1-7-EN	Coolant Capacity, FWC Gas Engines
27	1674083	1	Pressure cap		
28	3582348	1	Bracket		
29	946544	3	Flange screw		
30	3580941	1	Expansion tank		For later version of expansion tank.
31	953003	1	Stud		
	953005	1	Stud		
	980835	1	Stud		
32	971095	3	Flange nut		
33	3581039	1	Bracket		
34	3581098	1	Hose		Heat exchanger-expansion tank-water pump.
35	994559	1	Hose clamp		
36	942700	X	Hose		Expansion tank-thermostat housing., L=660mm
37	945652	2	Hose clamp		
38	942700	X	Hose		Expansion tank-Turbo., L=580mm
39	1674083	1	Pressure cap		
40	952627	2	Clamp		
41	967949	2	Flange screw		
42	3581032	1	Spacer sleeve		
43	3285120	1	Spacer sleeve		
44	976944	1	Washer		
45	968999	1	Flange screw		

AD41L-A, AD41P-A

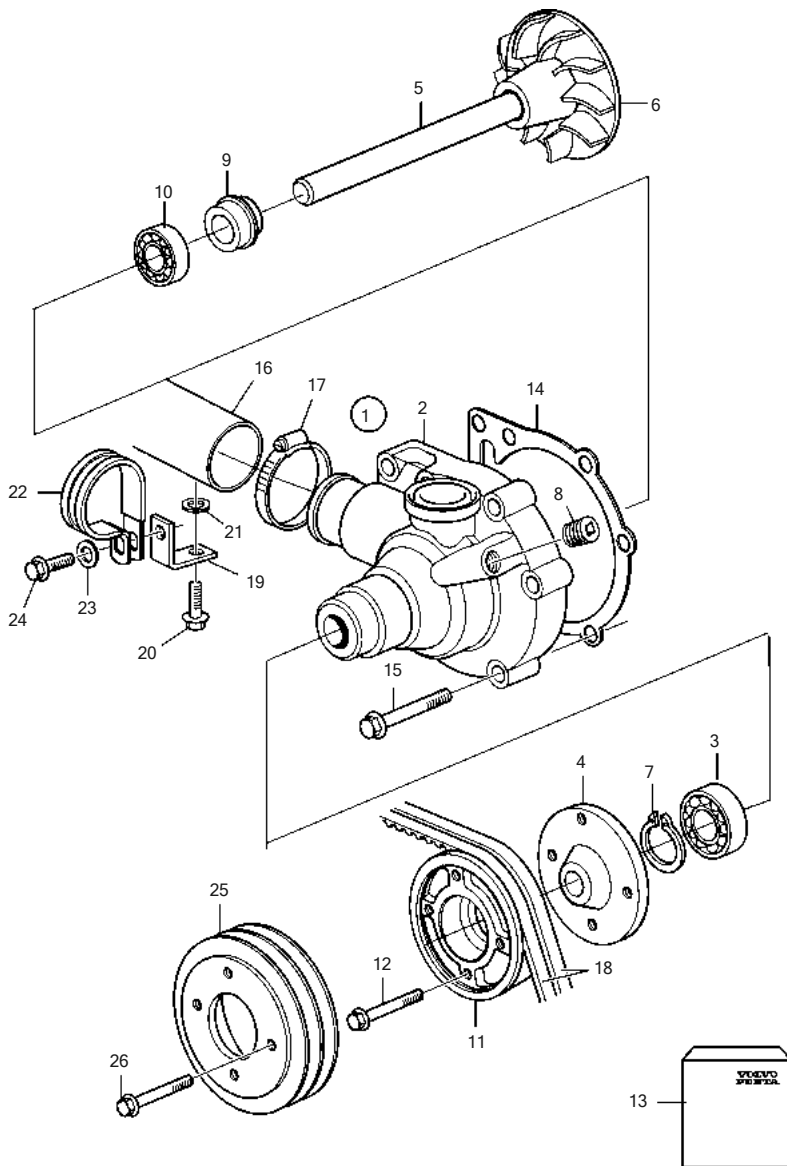


23048

## AD41L-A, AD41P-A

REF	PART NO.	QTY	DESCRIPTION	SEE SEC.	NOTES
1	861082	1	Heat exchanger		
			• Bulletin 44-41	44-41-EN	New silencer kit for KAD/KAMD42-A
2	861308	1	• Cardboard tube		
3	860127	3	• Sealing strip		
4	925027	1	• O-ring		
5	964106	1	• Gasket		
6	963567	1	• Hexagon screw		
7	861551	1	• Plug		
8	3580719	1	Bracket		
9	838733	2	Adapter		
10	3580717	1	Bracket		
11	965185	3	Flange screw		
12	953003	1	Stud		L=130mm
					L=150mm
13	941908	2	Spring washer		
14	971095	2	Flange nut		
15	860643	1	Hose		Heat exchanger-oil cooler., D41L
	860645	1	Hose		Heat exchanger-after cooler., AD41P, AD41L
16	994560	1	Hose clamp		
17	860828	1	Hose		Heat exchanger-exhaust riser., D41L
	860828	1	Hose		Heat exchanger-exhaust riser., AD41P, AD41L, std
	944386	X	Rubber hose		Heat exchanger-exhaust riser., For universal joint shaft installations, L=335mm
18	994560	1	Hose clamp		
19	861110	1	Hose		Thermostat housing-heat exchanger.
20	994562	1	Hose clamp		
21	861113	1	Hose		
22	943478	2	Hose clamp		
23	994559	1	Hose clamp		
24	942700	X	Hose		L=300mm
25	945652	1	Hose clamp		
26	861105	1	Expansion tank		For earlier version of expansion tank.
			• Bulletin P-18-4-4	P-18-4-4-EN	Coolant Recommendations for Gas Engines
			• Bulletin p-26-1-7	p-26-1-7-EN	Coolant Capacity, FWC Gas Engines
27	1674083	1	Pressure cap		
28	3582348	1	Bracket		
29	946544	3	Flange screw		
30	3580941	1	Expansion tank		For later version of expansion tank.
31	953003	1	Stud		
	953005	1	Stud		
	980835	1	Stud		
32	971095	3	Flange nut		
33	3581039	1	Bracket		
34	3581098	1	Hose		Heat exchanger-expansion tank-water pump.
35	994559	1	Hose clamp		
36	942700	X	Hose		Expansion tank-thermostat housing., L=660mm
37	945652	2	Hose clamp		
38	942700	X	Hose		Expansion tank-Turbo., L=580mm
39	1674083	1	Pressure cap		
40	952627	2	Clamp		
41	967949	2	Flange screw		
42	3581032	1	Spacer sleeve		
43	3285120	1	Spacer sleeve		
44	976944	1	Washer		
45	968999	1	Flange screw		

AD31L-A, AD31P-A, TAMD31L-A, TAMD31M-A, TAMD31P-A, TAMD31S-A,  
TMD31L-A



24791

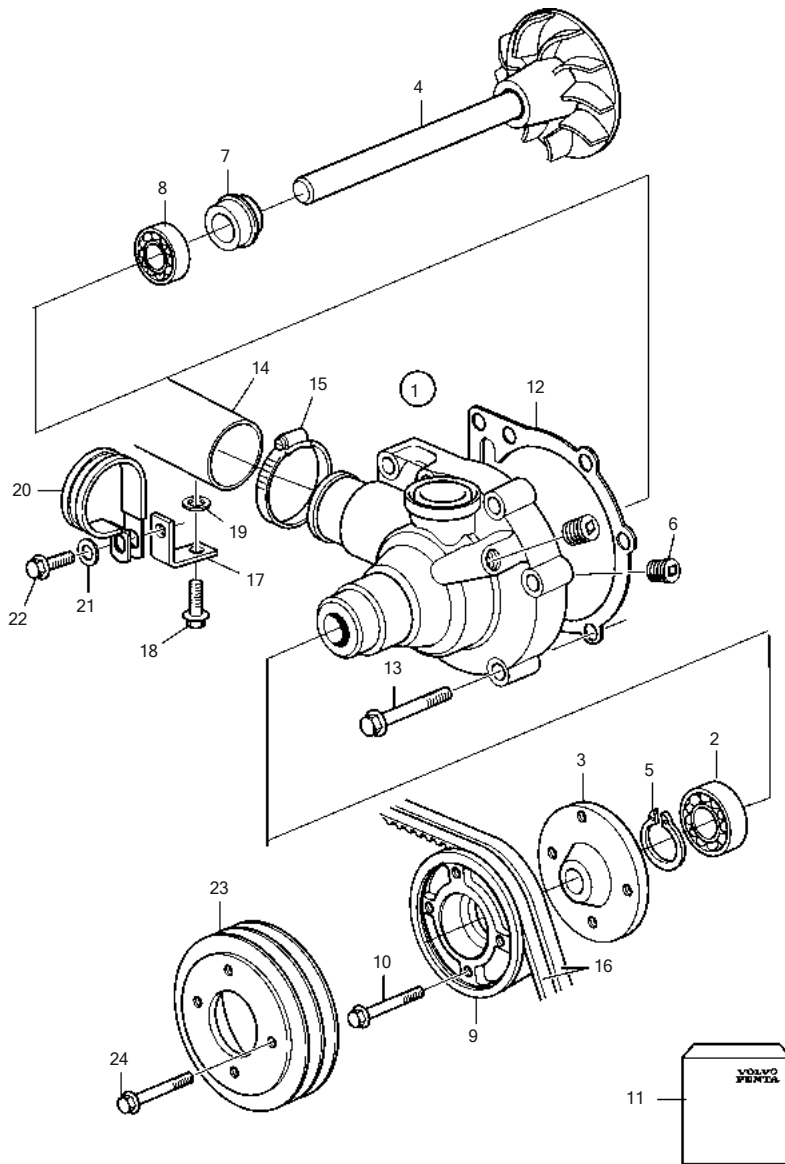
AD31L-A, AD31P-A, TAMD31L-A, TAMD31M-A, TAMD31P-A, TAMD31S-A, TMD31L-A

REF	PART NO.	QTY	DESCRIPTION	SEE SEC.	NOTES
1	3580777	1	Water pump		Replaced by 1 pc 3809412, coolant pump, 1 pc 3588383, pulley and 4 pcs 946173, flange screw.
	3809412	1	Water pump		
	3803869	1	Coolant pump, exch		
2		1	• Coolant pump housing		
3	(184861)	1	• Ball bearing		Included in overhaul kit., For water pump 3809412, Obsolete part
4	(3588402)	1	• Hub		Obsolete part, Included in overhaul kit., For water pump 3809412
5		1	• Shaft		Included in overhaul kit.
6	3583087	1	• Impeller		Included in overhaul kit., For water pump 3809412
7	914462	1	• Snap ring		Included in overhaul kit.
8	479977	1	• Plug		
9	1676432	1	• Sealing ring		Included in overhaul kit.
10	1660609	1	• Ball bearing		Included in overhaul kit.
11	1542235	1	Pulley		For water pump 3580777
12	946173	4	Flange screw		For water pump 3580777
13	876793	1	Repair kit	1791	For water pump 3580777
	877385	1	Repair kit	1791	For water pump 3809412
14	859027	1	Gasket		
15	947760	6	Flange screw		
16	861279	1	Hose		Heat exchanger-expansion tank-water pump., For earlier version of expansion tank.
	3581097	1	Hose		Heat exchanger-expansion tank-water pump., For later version of expansion tank.
17	943478	1	Hose clamp		
18	966978	1	V-belt		
19	846780	1	Bracket		
20	965181	1	Flange screw		
21	955894	1	Washer		
22	952635	1	Clamp		
23	955893	1	Washer		
24	948746	1	Flange screw		
25	3588383	1	Pulley		Late type
26	946173	4	Flange screw		Late type

# 26

## Water Pump for Sea Water Cooled Version

AD41L-A, AD41P-A, D41L-A, TAMD41H-A, TAMD41H-B, TAMD41P-A,  
TAMD41L-A, TAMD41M-A, TMD41L-A



23076



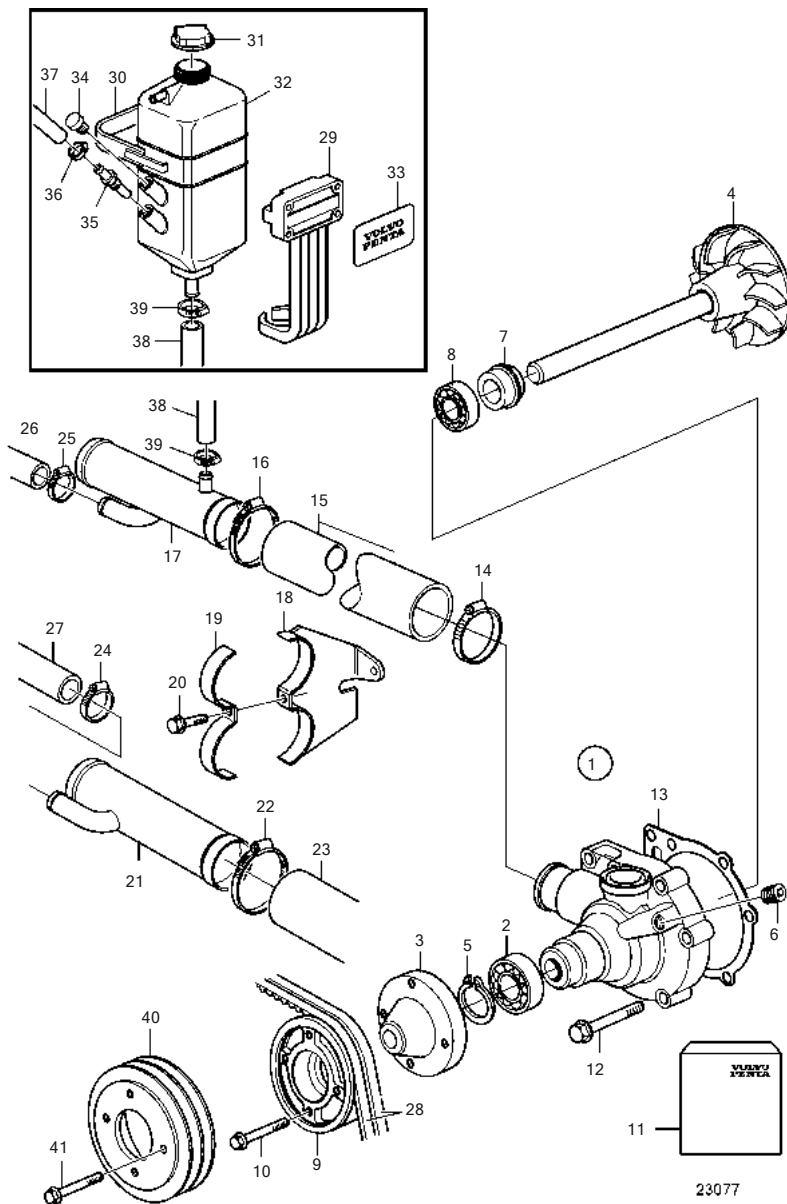
AD41L-A, AD41P-A, D41L-A, TAMD41H-A, TAMD41H-B, TAMD41P-A, TAMD41L-A,  
TAMD41M-A, TMD41L-A

REF	PART NO.	QTY	DESCRIPTION	SEE SEC.	NOTES
1	3580765	1	Water pump		Replaced by 1 pc 3809412, coolant pump, 1 pc 3588383, pulley and 4 pcs 946173, flange screw.
	3809412	1	Water pump		
	3803869	1	Coolant pump, exch		
2	181538	1	• Ball bearing		Included in overhaul kit., Early type
3	860455	1	• Hub		Early type
4		1	• Shaft		Included in overhaul kit., Early type
5	914462	1	• Snap ring		Included in overhaul kit., Early type
6	479977	1	• Plug		Early type
7	1676432	1	• Sealing ring		Included in overhaul kit., Early type
8	1660609	1	• Ball bearing		Included in overhaul kit., Early type
9	1542235	1	Pulley		Early type
10	946173	4	Flange screw		Early type
11	876794	1	Repair kit	1792	
12	859027	1	Gasket		Included in overhaul kit.
13	947760	6	Flange screw		
14	861113	1	Hose		Heat exchanger-expansion tank-water pump., For earlier version of expansion tank.
	3581098	1	Hose		Heat exchanger-expansion tank-water pump., For later version of expansion tank.
15	943478	1	Hose clamp		
16	966978	1	V-belt		
17	846780	1	Bracket		
18	965181	1	Flange screw		See group 21
19	955894	1	Washer		
20	952635	1	Clamp		
21	955893	1	Washer		
22	948746	1	Flange screw		
23	3588383	1	Pulley		Late type
24	946173	4	Flange screw		Late type

26

Water Pump and Expansion Tank for Keel Cooling

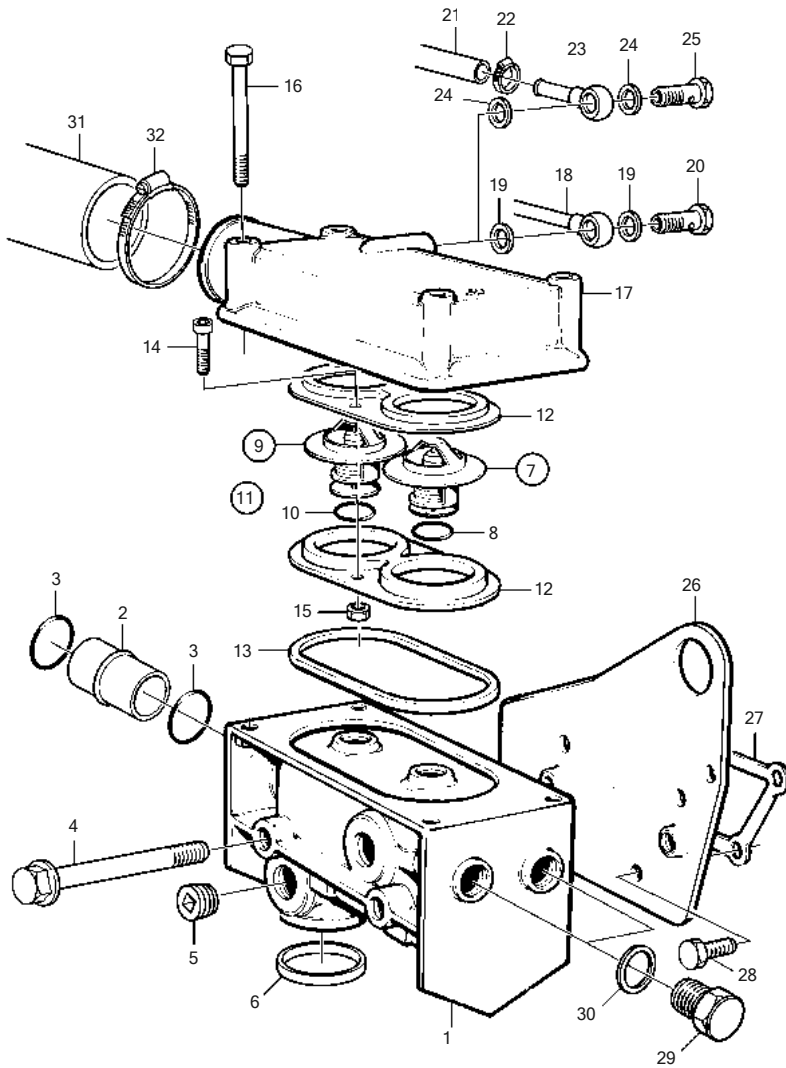
TAMD41H-A, TAMD41H-B



TAMD41H-A, TAMD41H-B

REF	PART NO.	QTY	DESCRIPTION	NOTES
1	3580765	1	Water pump	Replaced by 1 pc 3809412, coolant pump, 1 pc 3588383, pulley and 4 pcs 946173, flange screw.
	3809412	1	Water pump	
	3803869	1	Coolant pump, exch	
2	181538	1	• Ball bearing	Included in overhaul kit., Early type
3	860455	1	• Hub	Included in overhaul kit., Early type
4		1	• Shaft	Included in overhaul kit., Early type
5	914462	1	• Snap ring	Early type
6	479977	1	• Plug	Included in overhaul kit., Early type
7	1676432	1	• Sealing ring	Early type
8	1660609	1	• Ball bearing	Early type
9	1542235	1	Pulley	Included in overhaul kit., Early type
10	946173	4	Flange screw	Included in overhaul kit., Early type
11	876794	1	Repair kit	
12	947760	6	Flange screw	
13	859027	1	Gasket	Included in overhaul kit.
14	943479	1	Hose clamp	
15	860968	1	Hose	Inlet-water pump.
16	943479	1	Hose clamp	
17	860965	1	Coolant pipe	
18	860969	1	Bracket	
19	(860967)	1	Attaching clamp	Obsolete part
20	946440	1	Flange screw	
21	860966	1	Coolant pipe	
22	943479	1	Hose clamp	
23	860968	1	Hose	Thermostat housing-outlet.
24	994561	1	Hose clamp	
25	994561	1	Hose clamp	
26	861543	1	Hose	Water pump-reverse gear.
27	860645	1	Hose	After cooler-outlet.
28	966978	1	V-belt	
29	843260	1	Bracket	
30	843266	1	Clamp	
31	844624	1	Pressure cap	
32	844062	1	Expansion tank	
33	876234	1	Decal set	
34	947660	1	Plug	
35	843247	1	Connection pipe	
36	994556	1	Hose clamp	
37	943366	X	Rubber hose	Expansion tank-thermostat housing., L=2000mm
38	952969	X	Hose	L=1940mm
39	943472	2	Hose clamp	
40	3588383	1	Pulley	Late type
41	946173	4	Flange screw	Late type

AD31L-A, AD31P-A, TAMD31L-A, TAMD31M-A, TAMD31P-A, TAMD31S-A, TMD31L-A

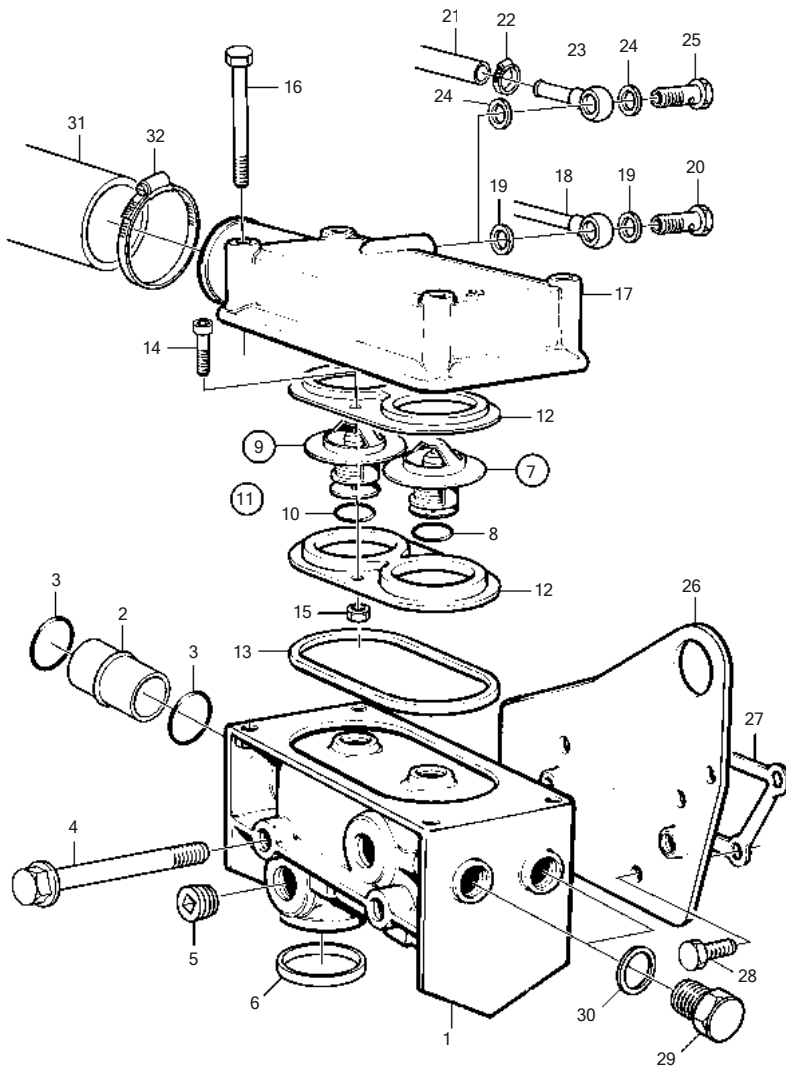


23085

AD31L-A, AD31P-A, TAMD31L-A, TAMD31M-A, TAMD31P-A, TAMD31S-A, TMD31L-A

REF	PART NO.	QTY	DESCRIPTION	NOTES
1	3583098	1	Thermostat housing	(838704)
2	838739	1	Adapter	
3	968927	2	O-ring	
4	965183	2	Flange screw	
5	479977	2	Plug	
6	3583913	1	Sealing ring	(1542198)
7	3831424	1	Thermostat kit	81°C (876128)
8	416033	1	• Sealing ring	
9	3831424	1	Thermostat kit	81°C (875849)
10	416033	1	• Sealing ring	
11	876145	1	Retainer kit	
12	859229	2	• Retainer	
13	838807	1	• Sealing ring	
14	963554	2	• Hexagon screw	
15	966170	2	• Lock nut	
16	965217	4	Flange screw	
17	860214	1	Air vent hose	
18	942700	1	Hose	Expansion tank-thermostat housing., For earlier version of expansion tank.
19	11994	2	Gasket	
20	969299	1	Hollow screw	
19	11994	2	Gasket	
20	969299	1	Hollow screw	
21	942700	1	Hose	Expansion tank-thermostat housing., For later version of expansion tank., L=440mm
22	945652	1	Hose clamp	
23	858750	1	Banjo nipple	
24	11994	2	Gasket	
25	969299	1	Hollow screw	
26	860518	1	Adapter	
27	1542187	1	Gasket	
28	955295	4	Hexagon screw	
29	960632	1	Plug	
30	11998	1	Gasket	
31	861111	1	Hose	Thermostat housing-heat exchanger.
32	943478	1	Hose clamp	

AD41L-A, AD41P-A, D41L-A, TMD41L-A

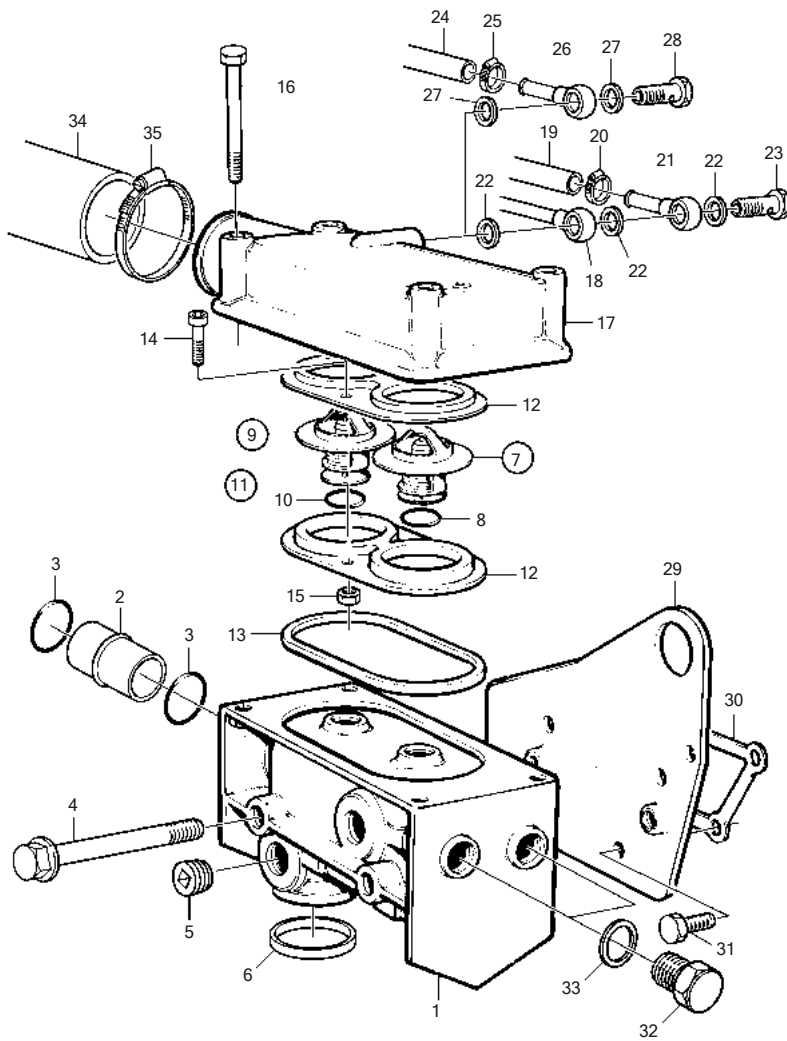


23086

AD41L-A, AD41P-A, D41L-A, TMD41L-A

REF	PART NO.	QTY	DESCRIPTION	NOTES
1	3583098	1	Thermostat housing	(838704)
2	838739	1	Adapter	
3	968927	2	O-ring	
4	965183	2	Flange screw	
5	479977	2	Plug	
6	3583913	1	Sealing ring	
7	3831424	1	Thermostat kit	81°C (876128)
8	416033	1	• Sealing ring	
9	3831424	1	Thermostat kit	81°C (875849)
10	416033	1	• Sealing ring	
11	876145	1	Retainer kit	
12	859229	2	• Retainer	
13	838807	1	• Sealing ring	
14	963554	2	• Hexagon screw	
15	966170	2	• Lock nut	
16	965217	4	Flange screw	
17	860449	1	Cardboard tube	Obsolete part
18	860215	1	Air vent hose	Turbo-thermostat housing., For earlier version of expansion tank.
19	11994	2	Gasket	
20	969299	1	Hollow screw	
21	942700	1	Hose	Expansion tank-thermostat housing., For later version of expansion tank., L=660mm
22	945652	1	Hose clamp	
23	858750	1	Banjo nipple	
24	11994	2	Gasket	
25	969299	1	Hollow screw	
26	860518	1	Adapter	
27	1542187	1	Gasket	
28	955295	4	Hexagon screw	
29	960632	1	Plug	
30	11998	1	Gasket	
31	861110	1	Hose	Thermostat housing-heat exchanger.
32	943478	1	Hose clamp	

TAMD41H-A, TAMD41H-B, TAMD41P-A, TAMD41L-A, TAMD41M-A



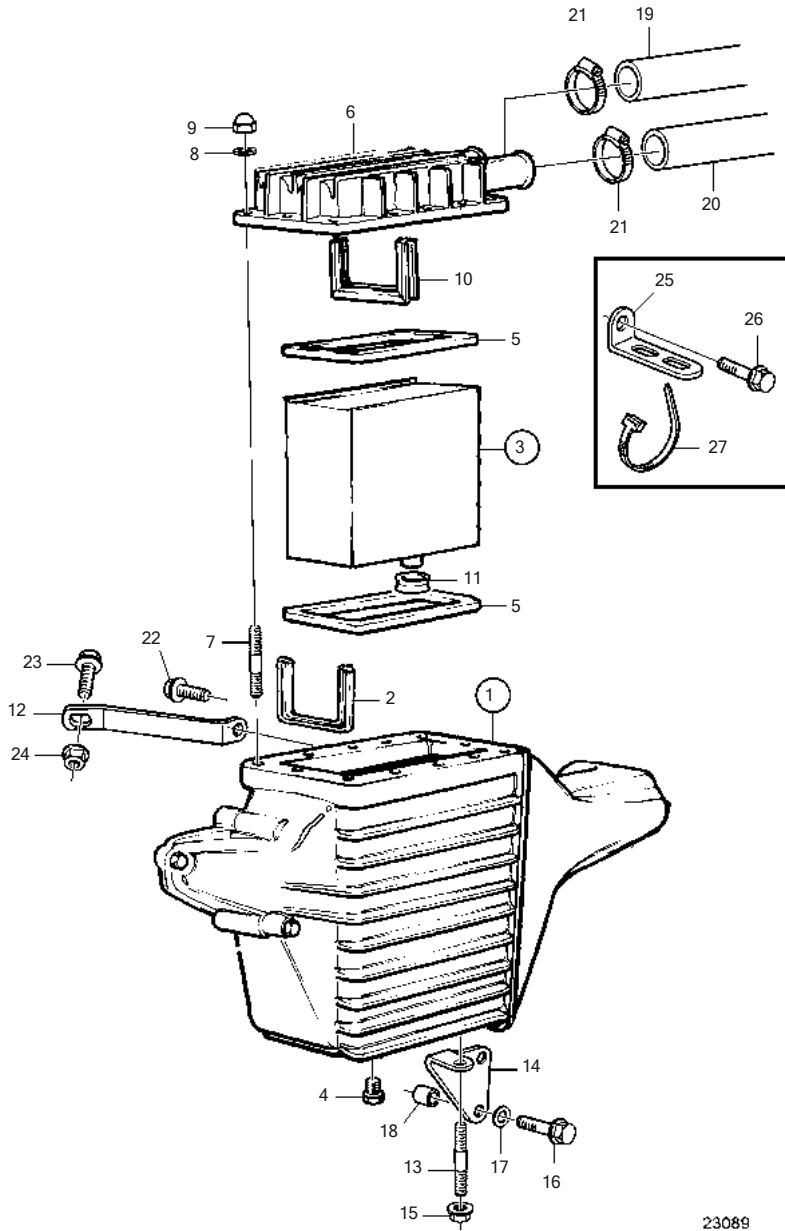
23088



TAMD41H-A, TAMD41H-B, TAMD41P-A, TAMD41L-A, TAMD41M-A

REF	PART NO.	QTY	DESCRIPTION	NOTES
1	3583098	1	Thermostat housing	(838704)
2	838739	1	Adapter	
3	968927	2	O-ring	
4	965183	2	Flange screw	
5	479977	2	Plug	
6	3583913	1	Sealing ring	
7	3831424	1	Thermostat kit	81°C (876128)
8	416033	1	• Sealing ring	
9	3831424	1	Thermostat kit	81°C (875849)
10	416033	1	• Sealing ring	
11	876145	1	Retainer kit	
12	859229	2	• Retainer	
13	838807	1	• Sealing ring	
14	963554	2	• Hexagon screw	
15	966170	2	• Lock nut	
16	965217	4	Flange screw	
17	860449	1	Cardboard tube	Obsolete part
18	860215	1	Air vent hose	Turbo-thermostat housing., For earlier version of expansion tank.
19	943366	X	Rubber hose	Expansion tank-thermostat housing., For earlier version of expansion tank., K.C, L=2000mm
20	994556	1	Hose clamp	K.C
21	858750	1	Banjo nipple	K.C
22	11994	2	Gasket	Std
	11994	3	Gasket	K.C
23	969299	1	Hollow screw	Std
	947975	1	Hollow screw	K.C
24	942700	1	Hose	Expansion tank-thermostat housing., For later version of expansion tank., L=660mm
25	945652	1	Hose clamp	
26	858750	1	Banjo nipple	
27	11994	2	Gasket	
28	969299	1	Hollow screw	
29	860518	1	Adapter	
30	1542187	1	Gasket	
31	955295	4	Hexagon screw	
32	960632	1	Plug	
33	11998	1	Gasket	
34	861110	1	Hose	Thermostat housing-heat exchanger., Std
	860968	1	Hose	Thermostat housing-outlet., K.C
35	943478	1	Hose clamp	

AD31L-A, TAMD31L-A, TAMD31M-A, TAMD31S-A

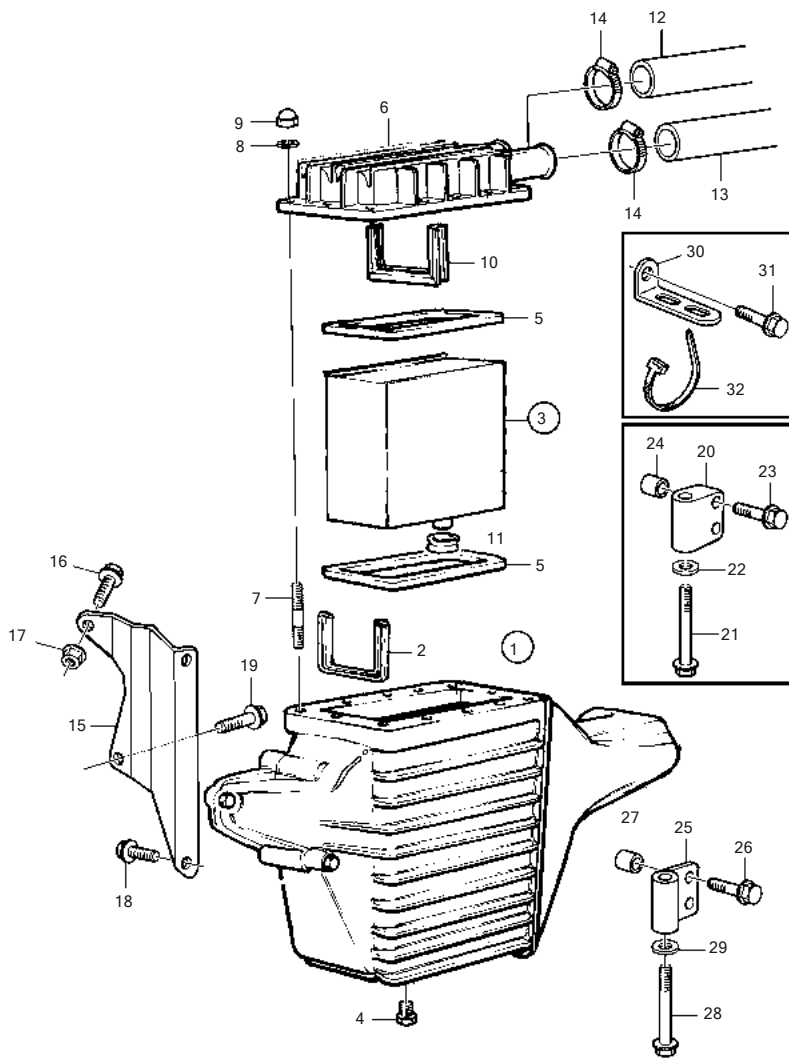


23089

AD31L-A, TAMD31L-A, TAMD31M-A, TAMD31S-A

REF	PART NO.	QTY	DESCRIPTION	NOTES
1	861657	1	Housing	(861656)
2	3582639	1	• Sealing strip	
3	3582598	1	Insert	
4	861551	1	• Plug	
5	860920	2	Gasket	
6	860409	1	Cover	
7	953036	12	Stud	
8	955893	12	Washer	
9	968458	12	Flange cap nut	
10	847573	1	Sealing strip	
11	858979	1	Sealing ring	
12	858967	1	Bracket	
13	953041	1	Stud	
14	858965	1	Bracket	
15	945408	1	Flange nut	
16	965226	2	Flange screw	
17	955897	2	Washer	
18	843122	2	Spacer sleeve	TAMD31L-A/M-A/S-A
	861554	2	Spacer	AD31L-A
19	860644	1	Hose	After cooler-oil cooler.
20	860645	1	Hose	Heat exchanger-after cooler.
21	994561	2	Hose clamp	
22	946440	1	Flange screw	
23	946934	1	Flange screw	
24	945407	1	Flange nut	
25	965562	1	Bracket	
26	946329	1	Flange screw	
27	948211	1	Cable tie	

AD31P-A, TAMD31P-A

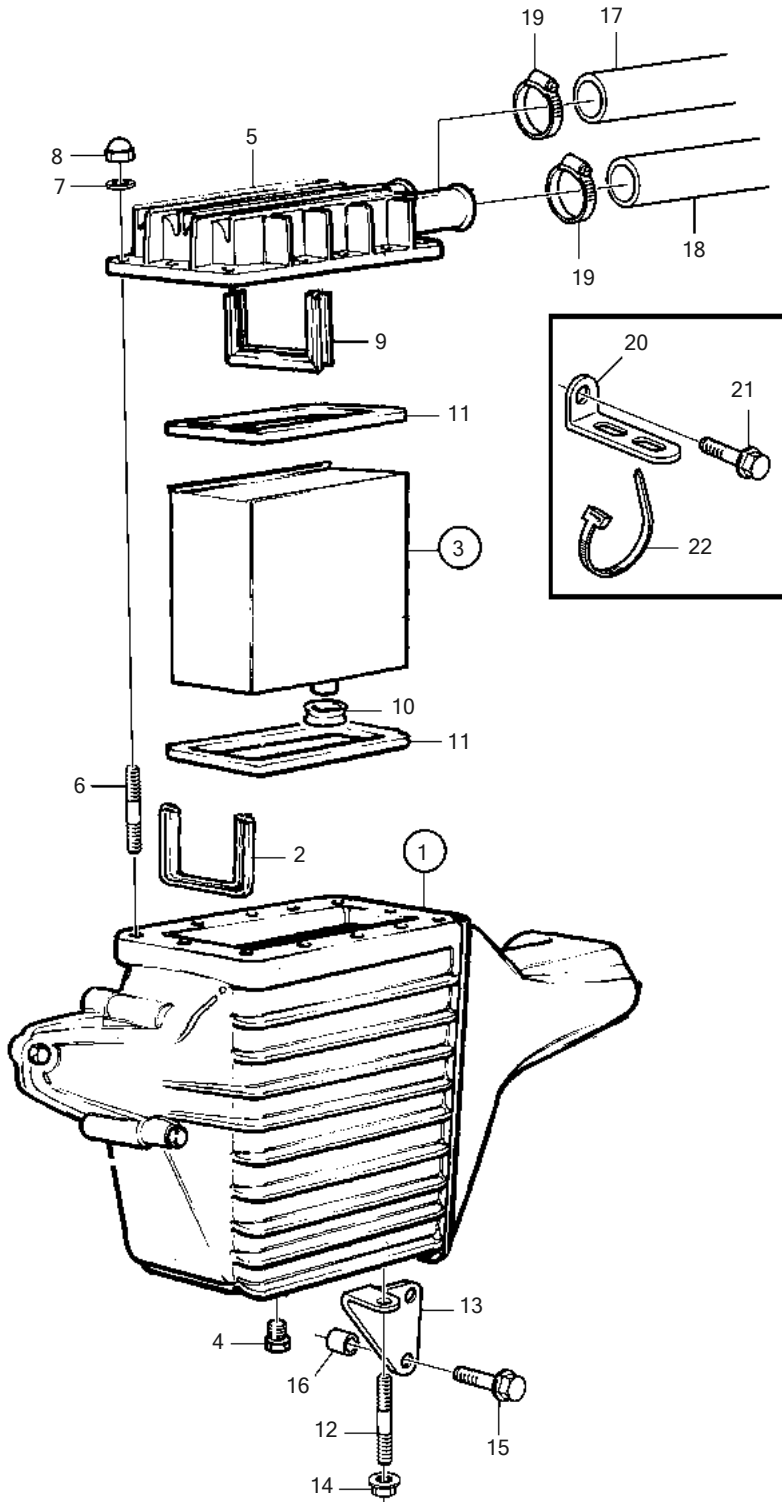


23090

AD31P-A, TAMD31P-A

REF	PART NO.	QTY	DESCRIPTION	NOTES
1	861657	1	Housing	(861656)
2	3582639	1	• Sealing strip	
3	3582598	1	Insert	
4	861551	1	• Plug	
5	860920	2	Gasket	
6	860409	1	Cover	
7	953036	12	Stud	
8	955893	12	Washer	
9	968458	12	Flange cap nut	
10	847573	1	Sealing strip	
11	858979	1	Sealing ring	
12	860644	1	Hose	After cooler-oil cooler.
13	860645	1	Hose	Heat exchanger-after cooler.
14	994561	2	Hose clamp	
15	861644	1	Bracket	
16	946173	1	Flange screw	
17	945408	1	Flange nut	
18	946173	2	Flange screw	
19	946472	1	Flange screw	
20	861645	1	Bracket	Early type
21	965183	1	Flange screw	
22	976944	1	Washer	
23	965226	2	Flange screw	
24	843122	2	Spacer sleeve	TAMD31P
	861554	2	Spacer	AD31P
25	3580762	1	Bracket	Late type
26	965226	2	Flange screw	
27	861554	2	Spacer	AD31P
28	965183	1	Flange screw	
29	976944	1	Washer	
30	965562	1	Bracket	
31	946329	1	Flange screw	
32	948211	1	Cable tie	

AD41L-A, AD41P-A

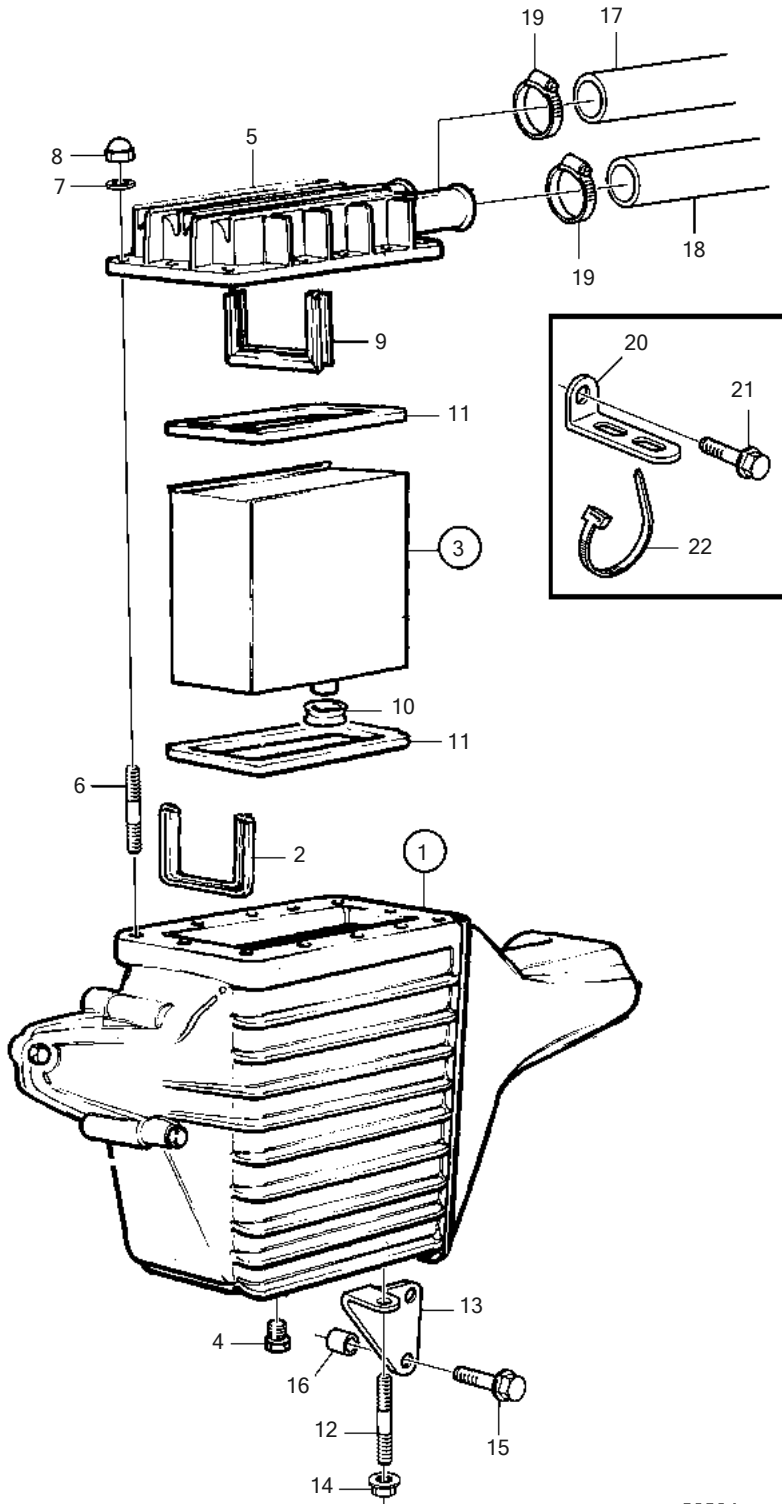


23091

AD41L-A, AD41P-A

REF	PART NO.	QTY	DESCRIPTION	NOTES
1	861657	1	Housing	(861656)
2	3582639	1	• Sealing strip	
3	3582598	1	Insert	
4	861551	1	• Plug	
5	860409	1	Cover	
6	953036	12	Stud	
7	955893	12	Washer	
8	968458	12	Flange cap nut	
9	847573	1	Sealing strip	
10	858979	1	Sealing ring	
11	860920	2	Gasket	
12	953041	1	Stud	
13	858965	1	Bracket	
14	945408	1	Flange nut	
15	965226	2	Flange screw	
16	843122	2	Spacer sleeve	For universal joint shaft installations
	861554	2	Spacer	Std
17	860404	1	Hose	After cooler-oil cooler.
18	860645	1	Hose	Heat exchanger-after cooler.
19	994561	2	Hose clamp	
20	965562	1	Bracket	
21	946329	1	Flange screw	
22	948211	1	Cable tie	

TAMD41H-A, TAMD41H-B, TAMD41P-A, TAMD41L-A, TAMD41M-A



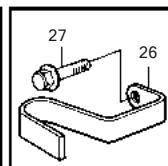
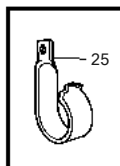
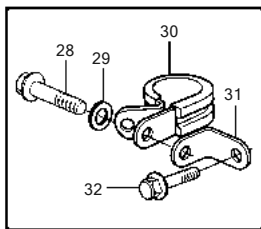
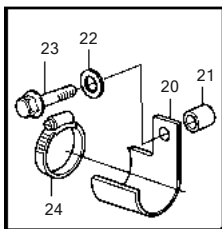
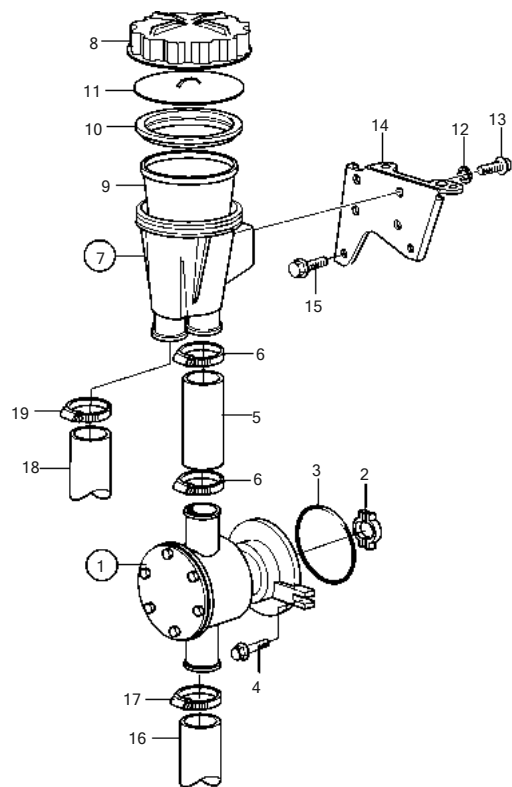
23091



TAMD41H-A, TAMD41H-B, TAMD41P-A, TAMD41L-A, TAMD41M-A

REF	PART NO.	QTY	DESCRIPTION	NOTES
1	861657	1	Housing	(861656)
2	3582639	1	Sealing strip	
3	3582598	1	Insert	
4	861551	1	Plug	
5	860409	1	Cover	
6	953036	12	Stud	
7	955893	12	Washer	
8	968458	12	Flange cap nut	
9	847573	1	Sealing strip	
10	858979	1	Sealing ring	
11	860920	2	Gasket	
12	953041	1	Stud	
13	858965	1	Bracket	
14	945408	1	Flange nut	
15	965226	2	Flange screw	
16	843122	2	Spacer sleeve	
17	860404	1	Hose	After cooler-oil cooler.
18	860645	1	Hose	Heat exchanger-after cooler., Not for engines in keel cooled version.
	860645	1	Hose	After cooler-outlet., For engines in with keel cooling.
19	994561	2	Hose clamp	
20	965562	1	Bracket	
21	946329	1	Flange screw	
22	948211	1	Cable tie	

AD31L-A, AD31P-A

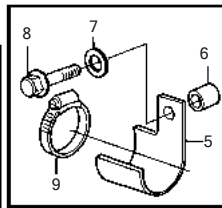
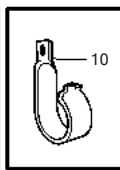
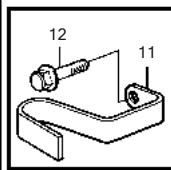
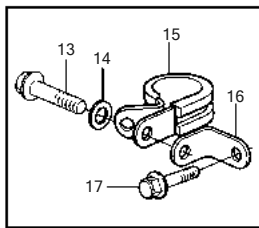
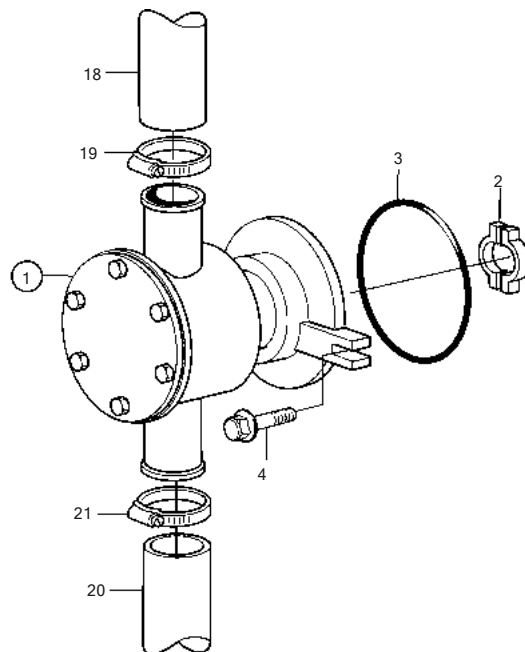


23107

AD31L-A, AD31P-A

REF	PART NO.	QTY	DESCRIPTION	SEE SEC.	NOTES
1	860629	1	Sea water pump		Repl by 3581558
			.	3399	
	3581558	1	Sea water pump		Repl by 3583115
			.	6012	
	3583115	1	Sea water pump		
			• Bulletin P-26-6-5	P-26-6-5-EN	New seawater pump kits
1			.	6012	
2	858467	1	Companion flange		
3	968971	1	O-ring		
4	946173	2	Flange screw		
5	949315	1	Rubber hose		L=60mm
6	994561	2	Hose clamp		
7	3583840	1	Sea water filter		
8	842722	1	• Cover		
9	860687	1	• Strainer		
10	842724	1	• Sealing		
11	842982	1	• Pressure plate		
12	941907	4	• Spring washer		
13	965215	4	• Flange screw		
14	3580668	1	Bracket		
15	946470	1	Flange screw		L=35mm
	948217	1	Flange screw		L=45mm
16	861737	1	Hose		Intake-sea water pump., Std
	1140664	X	Exhaust hose		Intake-sea water pump., Alt
17	961669	2	Hose clamp		
18	861018	1	Hose		Sea water filter-oil cooler.
19	994561	1	Hose clamp		
20	3580758	1	Bracket		
21	843075	1	Spacer sleeve		
22	955894	1	Washer		
23	945444	1	Flange screw		
24	961669	1	Hose clamp		
25	834974	1	Bracket		
26	861387	1	Bracket		
27	947760	1	Flange screw		
28	948746	1	Flange screw		
29	955893	1	Washer		
30	952640	1	Clamp		
31	846780	1	Bracket		
32	965181	1	Flange screw		

AD31L-A, AD31P-A

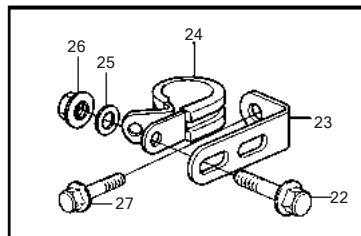
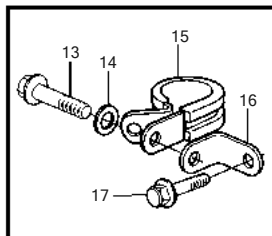
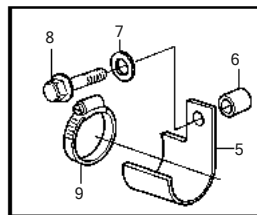
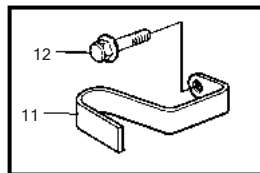
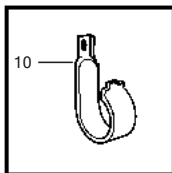
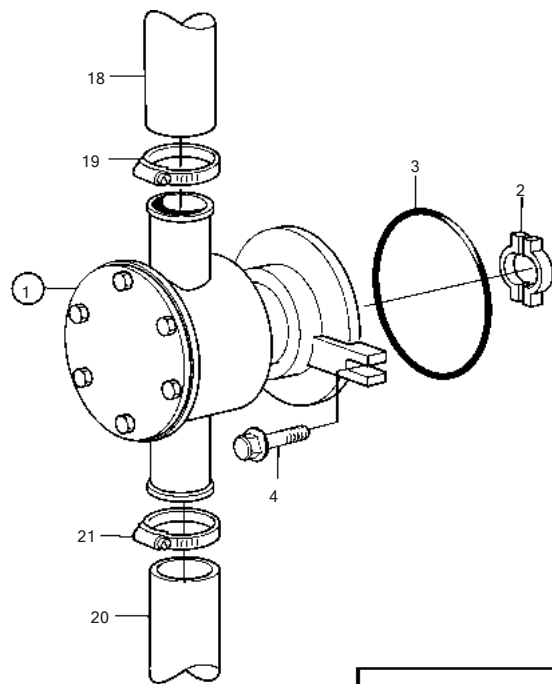


23078

AD31L-A, AD31P-A

REF	PART NO.	QTY	DESCRIPTION	SEE SEC.	NOTES
1	860629	1	Sea water pump		Repl by 3581558
			.	3399	
	3581558	1	Sea water pump		Repl by 3583115
			.	6012	
	3583115	1	Sea water pump		
			· Bulletin P-26-6-5	P-26-6-5-EN	New seawater pump kits
1			.	6012	
2	858467	1	Companion flange		
3	968971	1	O-ring		
4	946173	2	Flange screw		
5	3580758	1	Bracket		
6	843075	1	Spacer sleeve		
7	955894	1	Washer		
8	945444	1	Flange screw		
9	961669	1	Hose clamp		
10	834974	1	Bracket		
11	861387	1	Bracket		
12	947760	1	Flange screw		
13	948746	1	Flange screw		
14	955893	1	Washer		
15	952640	1	Clamp		
16	846780	1	Bracket		
17	965181	1	Flange screw		
18	860997	1	Hose		Sea water pump-oil cooler.
19	994561	1	Hose clamp		
20	861737	1	Hose		Intake-sea water pump.
21	961669	2	Hose clamp		

TAMD31L-A, TAMD31M-A, TAMD31P-A, TAMD31S-A, TMD31L-A

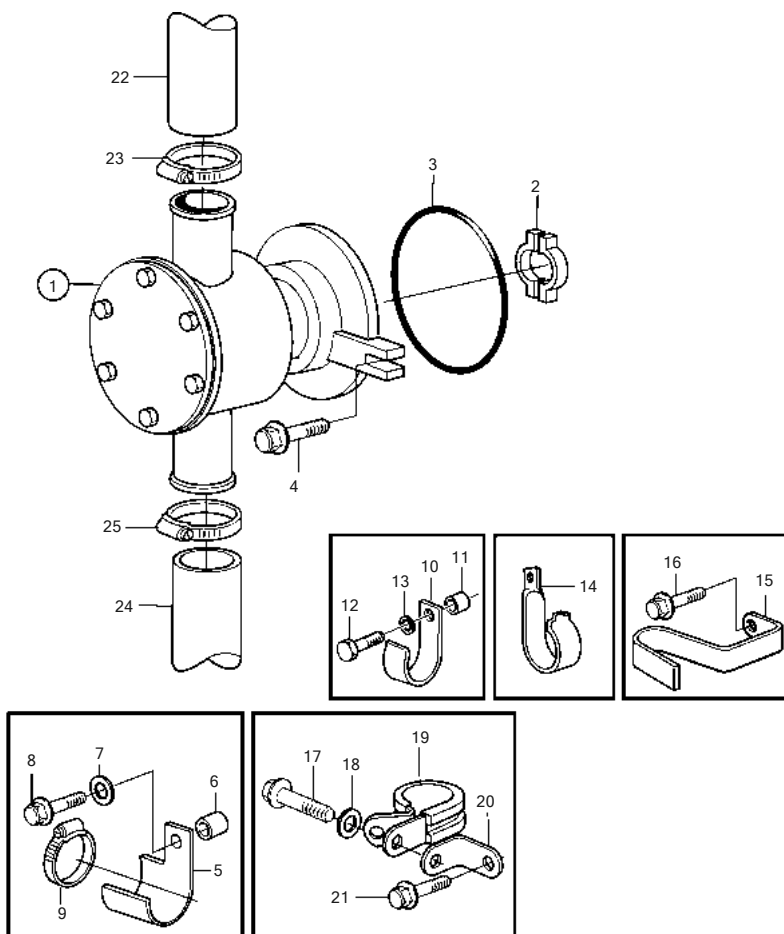


18356

TAMD31L-A, TAMD31M-A, TAMD31P-A, TAMD31S-A, TMD31L-A

REF	PART NO.	QTY	DESCRIPTION	SEE SEC.	NOTES
1	860629	1	Sea water pump		Repl by 3581558
			.	3399	
	3581558	1	Sea water pump		Repl by 3583115
			.	6012	
	3583115	1	Sea water pump		
			· Bulletin P-26-6-5	P-26-6-5-EN	New seawater pump kits
1			.	6012	
	861198	1	Sea water pump		SOLAS, Repl by 3581559
			.	2768	
	3581559	1	Sea water pump		SOLAS, Repl by 3583145
			.	6013	
	3583145	1	Sea water pump		SOLAS
			· Bulletin P-26-6-5	P-26-6-5-EN	New seawater pump kits
1			.	6013	
2	858467	1	Companion flange		
3	968971	1	O-ring		
4	946173	2	Flange screw		
5	3580758	1	Bracket		
6	843075	1	Spacer sleeve		
7	955894	1	Washer		
8	945444	1	Flange screw		
9	961669	1	Hose clamp		
10	834974	1	Bracket		
11	861387	1	Bracket		
12	947760	1	Flange screw		
13	948746	1	Flange screw		
14	955893	1	Washer		
15	952640	1	Clamp		
16	846780	1	Bracket		
17	965181	1	Flange screw		
18	860997	1	Hose		Sea water pump-oil cooler.
19	994561	1	Hose clamp		
20	861737	1	Hose		Reverse gear-sea water pump.
21	961669	2	Hose clamp		
22	946544	1	Flange screw		
23	965558	1	Bracket		
24	952640	1	Clamp		
25	955893	1	Washer		
26	949278	1	Flange lock nut		
27	947760	1	Flange screw		

AD41L-A, AD41P-A, D41L-A



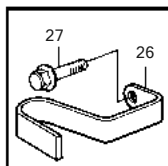
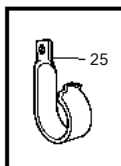
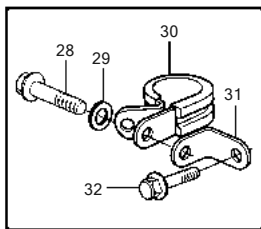
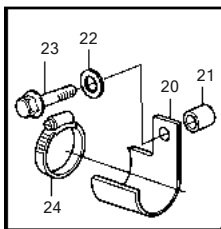
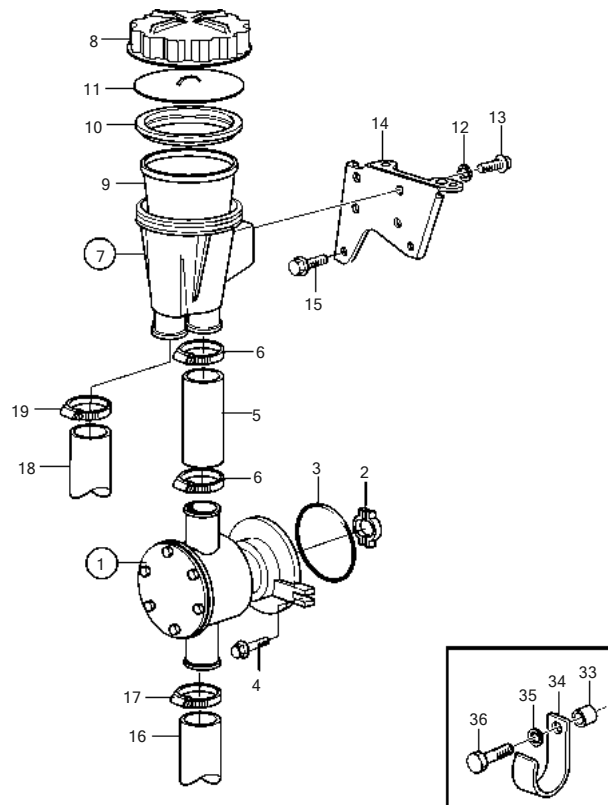
23081



AD41L-A, AD41P-A, D41L-A

REF	PART NO.	QTY	DESCRIPTION	SEE SEC.	NOTES
1	860629	1	Sea water pump		
			.	3399	
	3581558	1	Sea water pump		
			.	6012	
	3583115	1	Sea water pump		
			· Bulletin P-26-6-5	P-26-6-5-EN	New seawater pump kits
1			.	6012	
2	858467	1	Companion flange		
3	968971	1	O-ring		
4	946173	2	Flange screw		
5	3580758	1	Bracket		
6	843075	1	Spacer sleeve		
7	955894	1	Washer		
8	945444	1	Flange screw		
9	961669	1	Hose clamp		
10	857045	1	Attaching clamp		
11	843075	1	Spacer sleeve		
12	945444	1	Flange screw		
13	955894	1	Washer		
14	834974	1	Bracket		
15	861387	1	Bracket		
16	947760	1	Flange screw		
17	948746	1	Flange screw		
18	955893	1	Washer		
19	952640	1	Clamp		
20	846780	1	Bracket		
21	965181	1	Flange screw		
22	860997	1	Hose		Sea water pump-oil cooler.
23	994561	1	Hose clamp		
24	861738	1	Hose		Intake-sea water pump.
		X	Hose		For universal joint shaft installations, Inlet-water pump.
25	961669	2	Hose clamp		

AD41L-A, AD41P-A, D41L-A

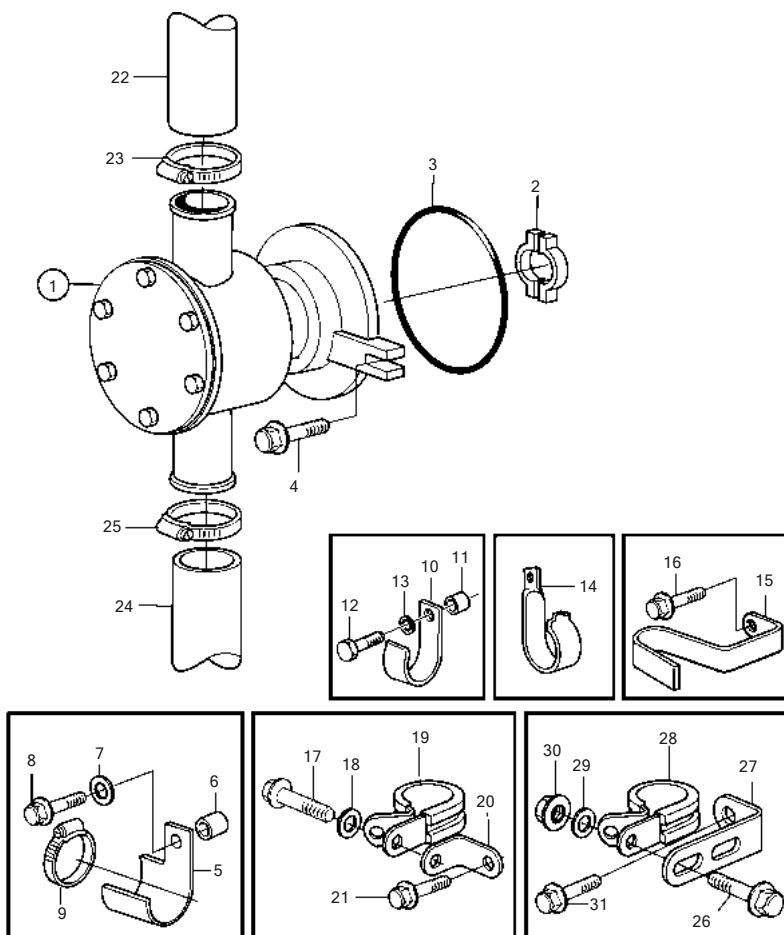


23079

AD41L-A, AD41P-A, D41L-A

REF	PART NO.	QTY	DESCRIPTION	SEE SEC.	NOTES
1	860629	1	Sea water pump		Repl by 3581558
			.	6012	
	3581558	1	Sea water pump		Repl by 3583115
			.	6012	
	3583115	1	Sea water pump		
			• Bulletin P-26-6-5	P-26-6-5-EN	New seawater pump kits
1			.	6012	
2	858467	1	Companion flange		
3	968971	1	O-ring		
4	946173	2	Flange screw		
5	949315	1	Rubber hose		L=60mm
6	994561	2	Hose clamp		
7	3583840	1	Sea water filter		(860631)
8	842722	1	• Cover		
9	860687	1	• Strainer		
10	842724	1	• Sealing		
11	842982	1	• Pressure plate		
12	941907	4	• Spring washer		
13	965215	4	• Flange screw		
14	3580668	1	Bracket		
15	946470	1	Flange screw		L=35mm
	948217	1	Flange screw		L=45mm
16	861738	1	Hose		Intake-sea water pump.
17	961669	2	Hose clamp		
18	861018	1	Hose		Sea water filter-oil cooler.
19	994561	1	Hose clamp		
20	3580758	1	Bracket		
21	843075	1	Spacer sleeve		
22	955894	1	Washer		
23	945444	1	Flange screw		
24	961669	1	Hose clamp		
25	834974	1	Bracket		
26	861387	1	Bracket		
27	947760	1	Flange screw		
28	948746	1	Flange screw		
29	955893	1	Washer		
30	952640	1	Clamp		
31	846780	1	Bracket		
32	965181	1	Flange screw		
33	843075	1	Spacer sleeve		
34	945444	1	Flange screw		
35	955894	1	Washer		
36	857045	1	Attaching clamp		

TAMD41H-A, TAMD41H-B, TAMD41P-A, TAMD41L-A, TAMD41M-A,  
TMD41L-A

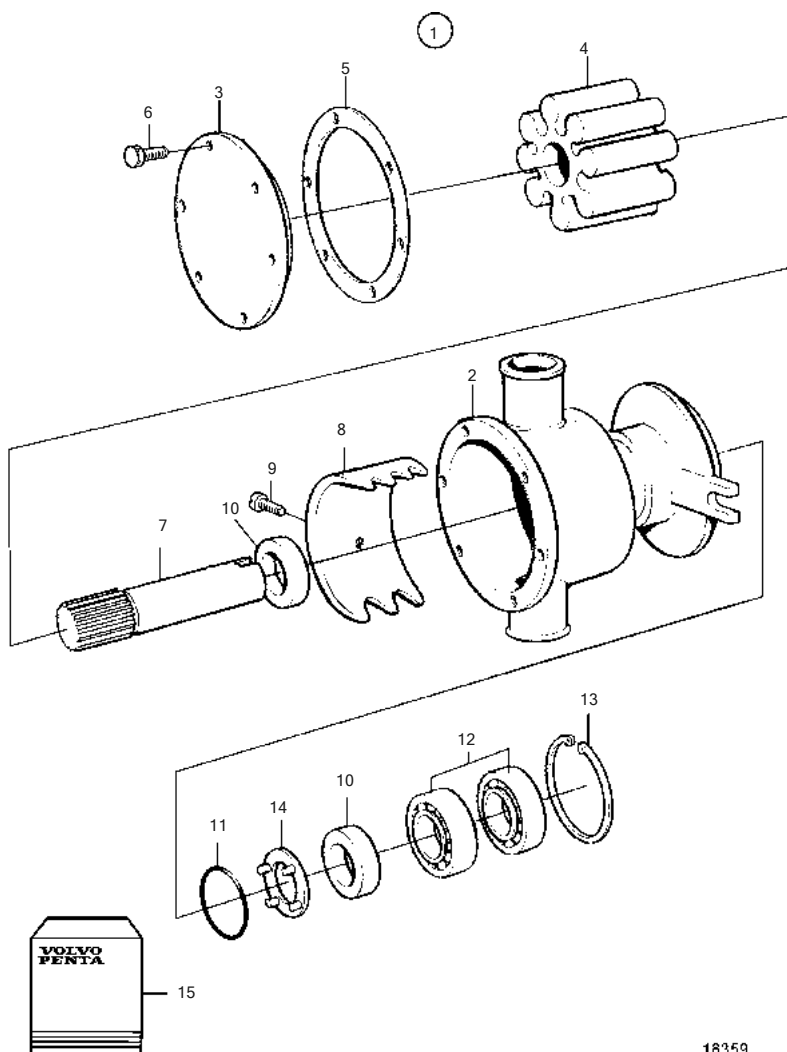


23080

TAMD41H-A, TAMD41H-B, TAMD41P-A, TAMD41L-A, TAMD41M-A, TMD41L-A

REF	PART NO.	QTY	DESCRIPTION	SEE SEC.	NOTES
1	860629	1	Sea water pump		
			.	3399	
	3581558	1	Sea water pump		
			.	6012	
	3583115	1	Sea water pump		
			· Bulletin P-26-6-5	P-26-6-5-EN	New seawater pump kits
1			.	6012	
	861198	1	Sea water pump		SOLAS
			.	2768	
	3581559	1	Sea water pump		
			.	6013	
	3583145	1	Sea water pump		
			· Bulletin P-26-6-5	P-26-6-5-EN	New seawater pump kits
1			.	6013	
2	858467	1	Companion flange		
3	968971	1	O-ring		
4	946173	2	Flange screw		
5	3580758	1	Bracket		
6	843075	1	Spacer sleeve		
7	955894	1	Washer		
8	945444	1	Flange screw		
9	961669	1	Hose clamp		
10	857045	1	Attaching clamp		
11	843075	1	Spacer sleeve		
12	945444	1	Flange screw		
13	955894	1	Washer		
14	834974	1	Bracket		
15	861387	1	Bracket		
16	947760	1	Flange screw		
17	948746	1	Flange screw		
18	955893	1	Washer		
19	952640	1	Clamp		
20	846780	1	Bracket		
21	965181	1	Flange screw		
22	860997	1	Hose		Sea water pump-oil cooler.
23	994561	1	Hose clamp		
24	861738	1	Hose		Reverse gear-sea water pump.
25	961669	2	Hose clamp		
26	946544	1	Flange screw		
27	965558	1	Bracket		
28	952640	1	Clamp		
29	955893	1	Washer		
30	949278	1	Flange lock nut		
31	947760	1	Flange screw		

AD31L-A, AD31P-A, AD41L-A, AD41P-A, D41L-A, TAMD31L-A, TAMD31M-A,  
 TAMD31P-A, TAMD31S-A, TAMD41H-A, TAMD41H-B, TAMD41P-A,  
 TAMD41L-A, TAMD41M-A

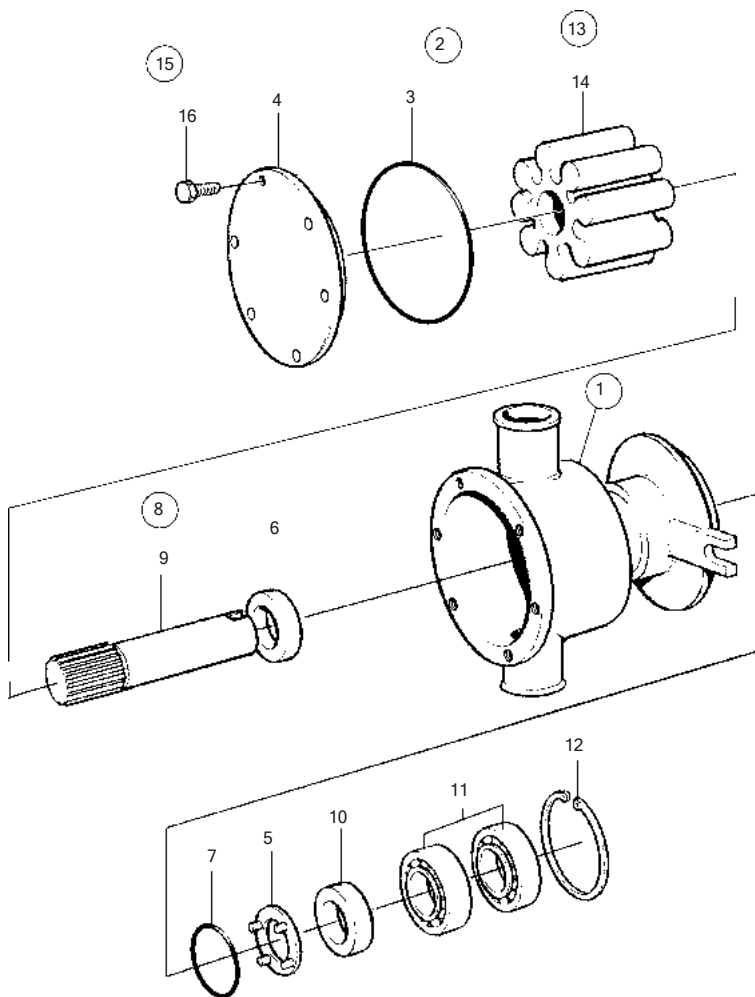


18359

AD31L-A, AD31P-A, AD41L-A, AD41P-A, D41L-A, TAMD31L-A, TAMD31M-A, TAMD31P-A,  
TAMD31S-A, TAMD41H-A, TAMD41H-B, TAMD41P-A, TAMD41L-A, TAMD41M-A

REF	PART NO.	QTY	DESCRIPTION	NOTES
1	860629	1	Sea water pump	
2		1	• Housing	
3	(860751)	1	• Cardboard tube	Included in overhaul kit., Obsolete part
4		1	• Impeller	Included in impeller kit.
5	808275	1	• Gasket	Included in impeller kit.
6	21951334	1	• Screw kit	Included in overhaul kit.
7		1	• Shaft	Included in overhaul kit.
8	(827011)	1	• Cam	Obsolete part, Included in overhaul kit.
9	(808285)	1	• Screw	Obsolete part, Included in overhaul kit.
10	827247	2	• Sealing ring	Included in overhaul kit.
11	960166	1	• O-ring	Included in overhaul kit.
12	11010	2	• Ball bearing	Included in overhaul kit.
13	914523	1	• Snap ring	Included in overhaul kit.
14	(844580)	1	• Support washer	Obsolete part
15	(877373)	1	Repair kit	Obsolete part, See group 99
	3841697	1	Impeller kit	See group 99

AD31L-A, AD31P-A, AD41L-A, AD41P-A, D41L-A, TAM31L-A, TAM31M-A,  
TAM31P-A, TAM31S-A, TAM41H-A, TAM41H-B, TAM41P-A,  
TAM41L-A, TAM41M-A, TMD31L-A, TMD41L-A



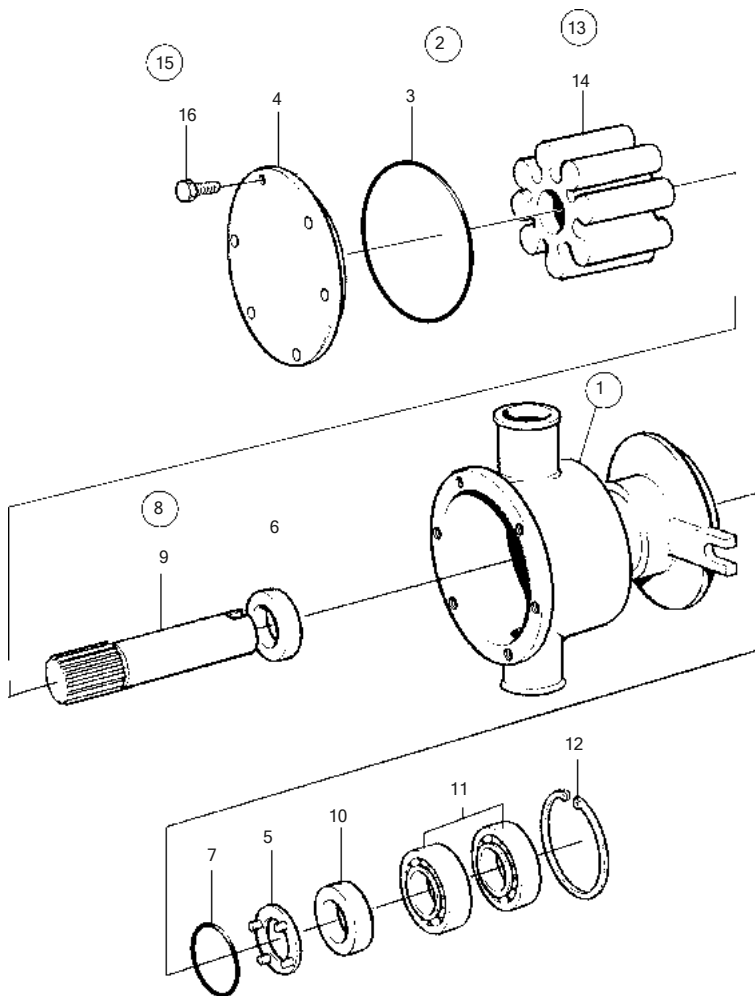
26614



AD31L-A, AD31P-A, AD41L-A, AD41P-A, D41L-A, TAMD31L-A, TAMD31M-A, TAMD31P-A,  
TAMD31S-A, TAMD41H-A, TAMD41H-B, TAMD41P-A, TAMD41L-A, TAMD41M-A,  
TMD31L-A, TMD41L-A

REF	PART NO.	QTY	DESCRIPTION	SEE SEC.	NOTES
1	3581558	1	Sea water pump		Repl by 3583115
	3583115	1	Sea water pump		
			• Bulletin P-26-6-5	P-26-6-5-EN	New seawater pump kits
2	21951396	1	• Wear kit		
3	3581618	1	• • O-ring		
4	(3581617)	1	• • Cover		Obsolete part
5	(844580)	1	• • Support washer		Obsolete part
6	827247	1	• • Sealing ring		
7	960166	1	• • O-ring		
8	21951457	1	• Shaft kit		
9		1	• • Shaft		
10	827247	1	• • Sealing ring		
11	11010	2	• • Ball bearing		
12	914523	1	• • Snap ring		
13	3841697	1	• Impeller kit		replaced by next part number
	21422647	1	• Impeller kit		replaced by next part number
	21951356	1	• Impeller kit		
14		1	• • Impeller		
15	21951334	1	• Screw kit		
16	21346724	6	• • Hexagon screw		

TAMD31L-A, TAMD31M-A, TAMD31P-A, TAMD31S-A, TAMD41H-A,  
TAMD41H-B, TAMD41P-A, TAMD41L-A, TAMD41M-A, TMD31L-A, TMD41L-A

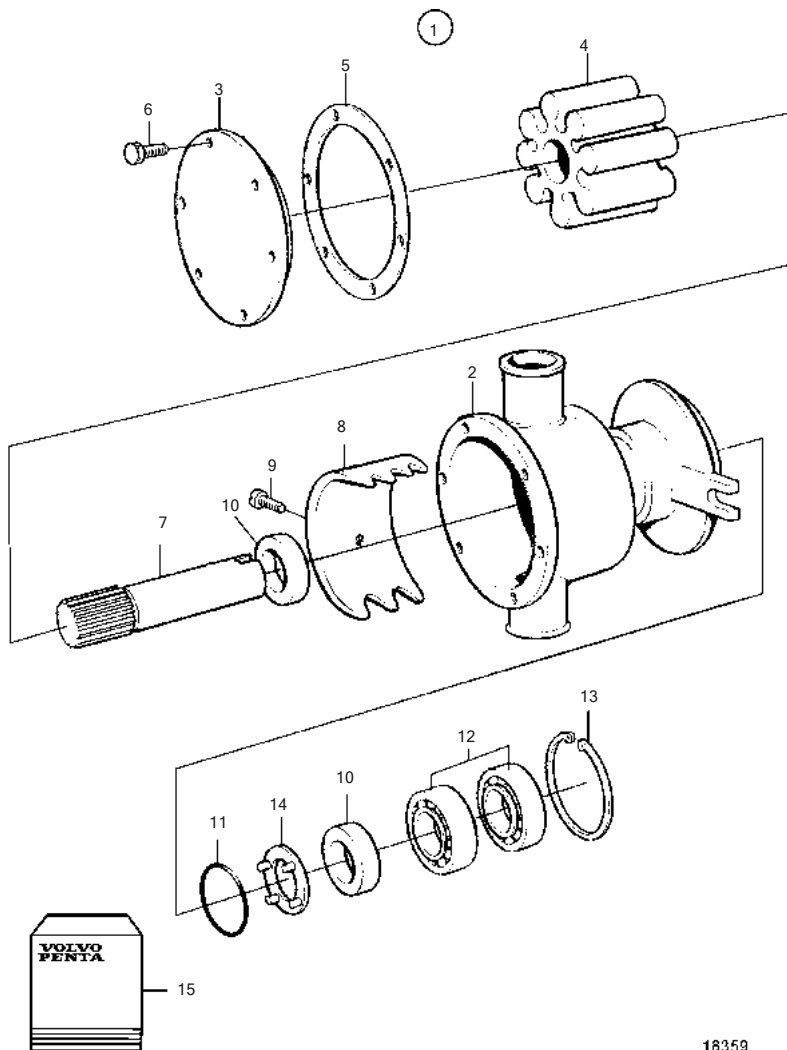


26614

TAMD31L-A, TAMD31M-A, TAMD31P-A, TAMD31S-A, TAMD41H-A, TAMD41H-B,  
TAMD41P-A, TAMD41L-A, TAMD41M-A, TMD31L-A, TMD41L-A

REF	PART NO.	QTY	DESCRIPTION	SEE SEC.	NOTES
1	3581559	1	Sea water pump		Repl by 3583145
	3583145	1	Sea water pump		
			· Bulletin P-26-6-5	P-26-6-5-EN	New seawater pump kits
2	21951396	1	· Wear kit		
3	3581618	1	· · O-ring		
4	(3581617)	1	· · Cover		Obsolete part
5	(844580)	1	· · Support washer		Obsolete part
6	827247	1	· · Sealing ring		
7	960166	1	· · O-ring		
8	21951457	1	· Shaft kit		
9		1	· · Shaft		
10	827247	1	· · Sealing ring		
11	11010	2	· · Ball bearing		
12	914523	1	· · Snap ring		
13	877062	1	· Impeller kit		replaced by next part number
	21951366	1	· Impeller kit		
14		1	· · Impeller		
15	21951334	1	· Screw kit		
16	21346724	6	· · Hexagon screw		

TAMD41H-A, TAMD41H-B, TAMD41P-A, TAMD41L-A, TAMD41M-A,  
TMD41L-A

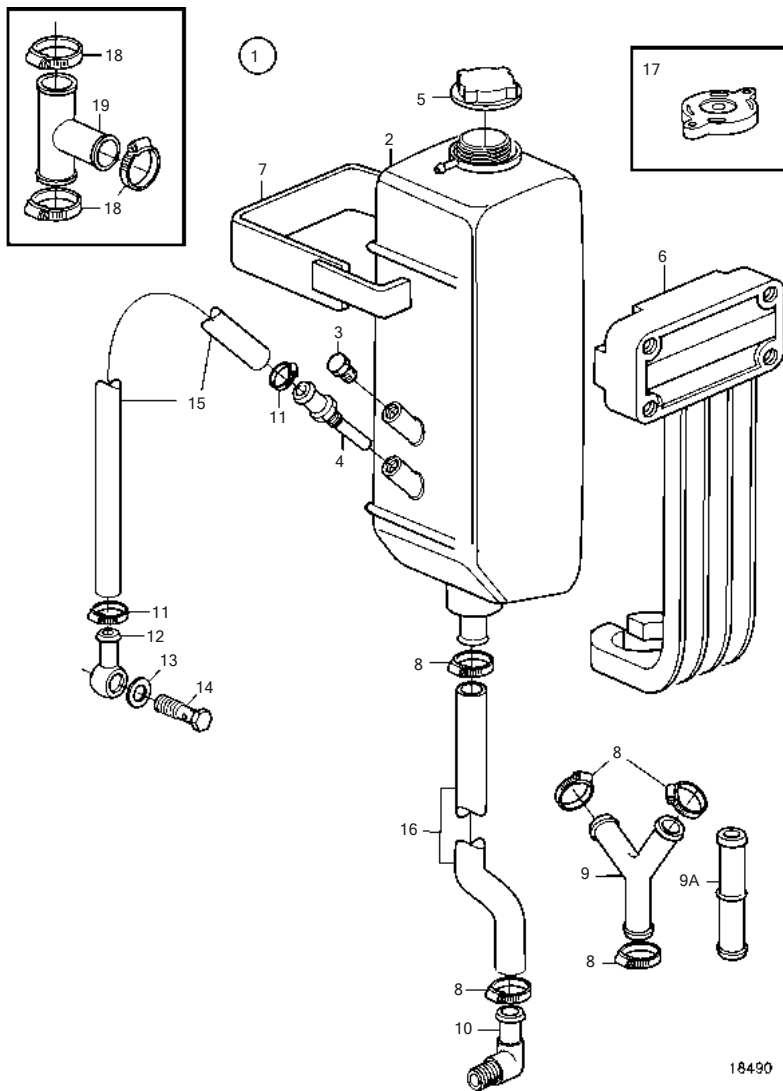


18359

TAMD41H-A, TAMD41H-B, TAMD41P-A, TAMD41L-A, TAMD41M-A, TMD41L-A

REF	PART NO.	QTY	DESCRIPTION	NOTES
1	861198	1	Sea water pump	
2		1	• Housing	
3	(860751)	1	• Cardboard tube	Included in overhaul kit., Obsolete part
4		1	• Impeller	Included in impeller kit.
5	861199	1	• Gasket	Included in impeller kit.
6	21951334	1	• Screw kit	Included in overhaul kit.
7		1	• Shaft	Included in overhaul kit.
8	(827011)	1	• Cam	Obsolete part, Included in overhaul kit.
9	(808285)	1	• Screw	Obsolete part, Included in overhaul kit.
10	827247	2	• Sealing ring	Included in overhaul kit.
11	960166	1	• O-ring	Included in overhaul kit.
12	11010	2	• Ball bearing	Included in overhaul kit.
13	914523	1	• Snap ring	Included in overhaul kit.
14	(844580)	1	• Support washer	Obsolete part
15	(877373)	1	Repair kit	Obsolete part, See group 99
	3841697	1	Impeller kit	See group 99

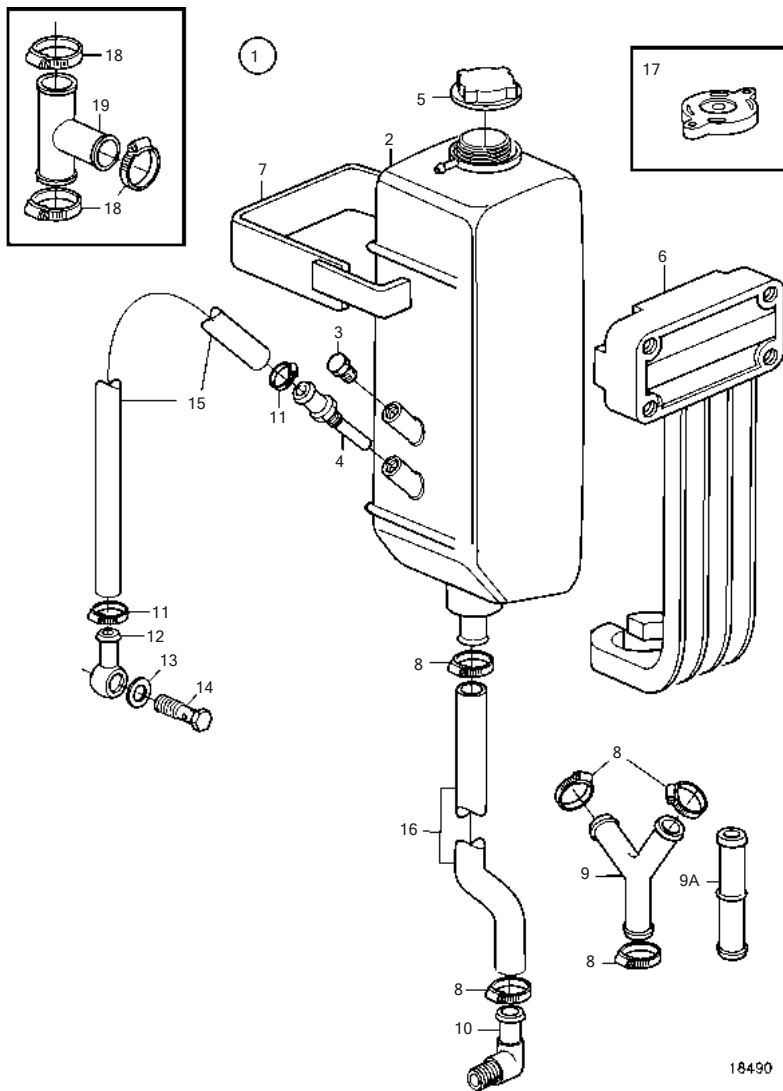
AD31L-A, AD31P-A, AD41L-A, AD41P-A, D41L-A, TAMD31L-A, TAMD31M-A,  
 TAMD31P-A, TAMD31S-A, TAMD41H-A, TAMD41H-B, TAMD41P-A,  
 TAMD41L-A, TAMD41M-A, TMD31L-A, TMD41L-A



AD31L-A, AD31P-A, AD41L-A, AD41P-A, D41L-A, TAMD31L-A, TAMD31M-A, TAMD31P-A,  
TAMD31S-A, TAMD41H-A, TAMD41H-B, TAMD41P-A, TAMD41L-A, TAMD41M-A,  
TMD31L-A, TMD41L-A

REF	PART NO.	QTY	DESCRIPTION	NOTES
1	861623	1	Expansion tank	Repl by 3581297
2	844062	1	• Expansion tank	
3	947660	1	• Plug	
4	843247	1	• Connection pipe	
5	860866	1	• Filler cap	
6	843260	1	• Bracket	
7	843266	1	• Clamp	
8	943472	6	• Hose clamp	
9	345845	1	• Distribution pipe	
9A	831752	1	• Connection pipe	
10	948600	1	• Elbow nipple	
11	994556	2	• Hose clamp	
12	858750	1	• Banjo nipple	
13	11994	2	• Gasket	
14	947975	1	• Hollow screw	
15	943366	X	• Rubber hose	
16	952969	X	• Hose	
17	845587	1	• Filler cap	
18	994556	3	• Hose clamp	
19	3581298	1	• T-pipe	

AD31L-A, AD31P-A, AD41L-A, AD41P-A, D41L-A, TAMD31L-A, TAMD31M-A,  
 TAMD31P-A, TAMD31S-A, TAMD41H-A, TAMD41H-B, TAMD41P-A,  
 TAMD41L-A, TAMD41M-A, TMD31L-A, TMD41L-A



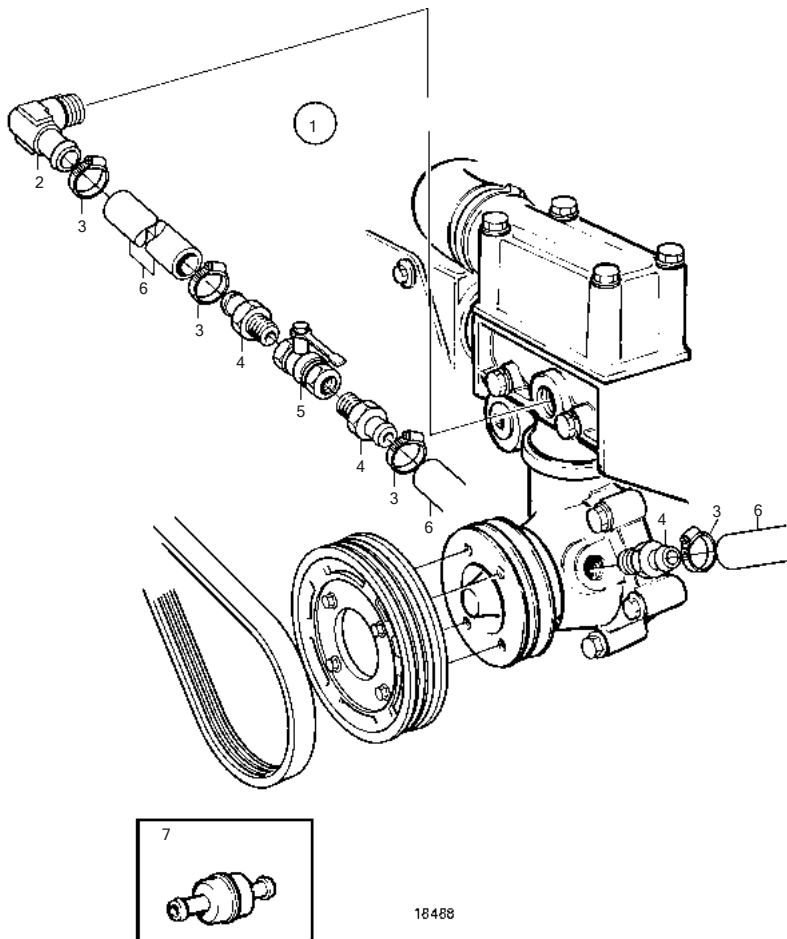
18490



AD31L-A, AD31P-A, AD41L-A, AD41P-A, D41L-A, TAMD31L-A, TAMD31M-A, TAMD31P-A,  
TAMD31S-A, TAMD41H-A, TAMD41H-B, TAMD41P-A, TAMD41L-A, TAMD41M-A,  
TMD31L-A, TMD41L-A

REF	PART NO.	QTY	DESCRIPTION
1	3581297	1	Expansion tank
2	844062	1	• Expansion tank
3	947660	1	• Plug
4	843247	1	• Connection pipe
5	860866	1	• Filler cap
6	843260	1	• Bracket
7	843266	1	• Clamp
8	943472	6	• Hose clamp
9	345845	1	• Distribution pipe
9A	831752	1	• Connection pipe
10	948600	1	• Elbow nipple
11	994556	2	• Hose clamp
12	858750	1	• Banjo nipple
13	11994	2	• Gasket
14	947975	1	• Hollow screw
15	942700	X	• Hose
16	952969	X	• Hose
17	845587	1	• Filler cap
18	945652	4	• Hose clamp

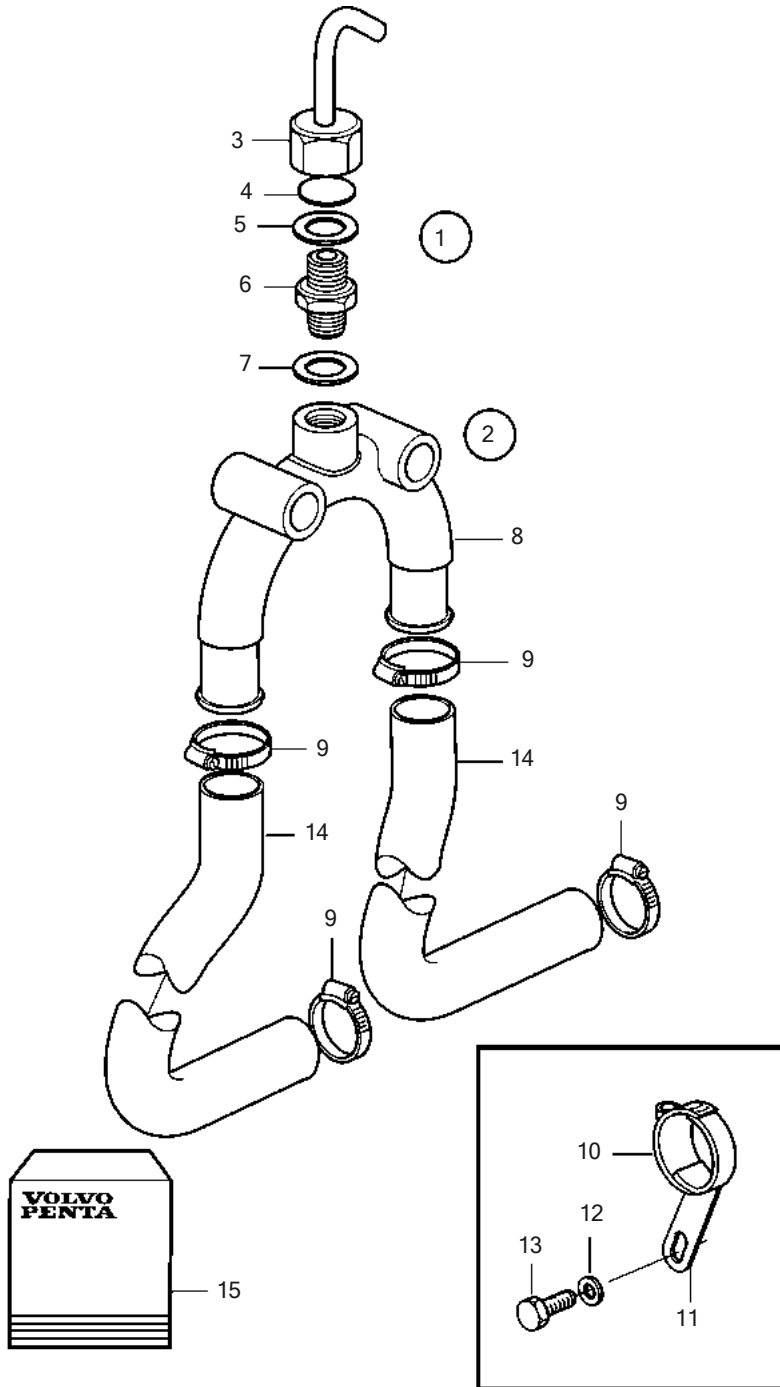
AD31L-A, AD31P-A, AD41L-A, AD41P-A, D41L-A, TAM31L-A, TAM31M-A,  
 TAM31P-A, TAM31S-A, TAM41H-A, TAM41H-B, TAM41P-A,  
 TAM41L-A, TAM41M-A, TMD31L-A, TMD41L-A



AD31L-A, AD31P-A, AD41L-A, AD41P-A, D41L-A, TAMD31L-A, TAMD31M-A, TAMD31P-A,  
TAMD31S-A, TAMD41H-A, TAMD41H-B, TAMD41P-A, TAMD41L-A, TAMD41M-A,  
TMD31L-A, TMD41L-A

REF	PART NO.	QTY	DESCRIPTION	NOTES
1	860706	1	Mounting kit	
2	961607	1	· Hose nipple	
3	961663	6	· Hose clamp	
4	961657	5	· Hose nipple	
5	1140097	2	· Ball valve	
6	952969	X	Hose	
7	(855844)	1	Thermostat	Obsolete part

AD31L-A, AD31P-A, AD41L-A, AD41P-A, D41L-A, TAM31L-A, TAM31M-A, TAM31P-A, TAM31S-A, TAM41H-A, TAM41H-B, TAM41P-A, TAM41L-A, TAM41M-A, TMD31L-A, TMD41L-A

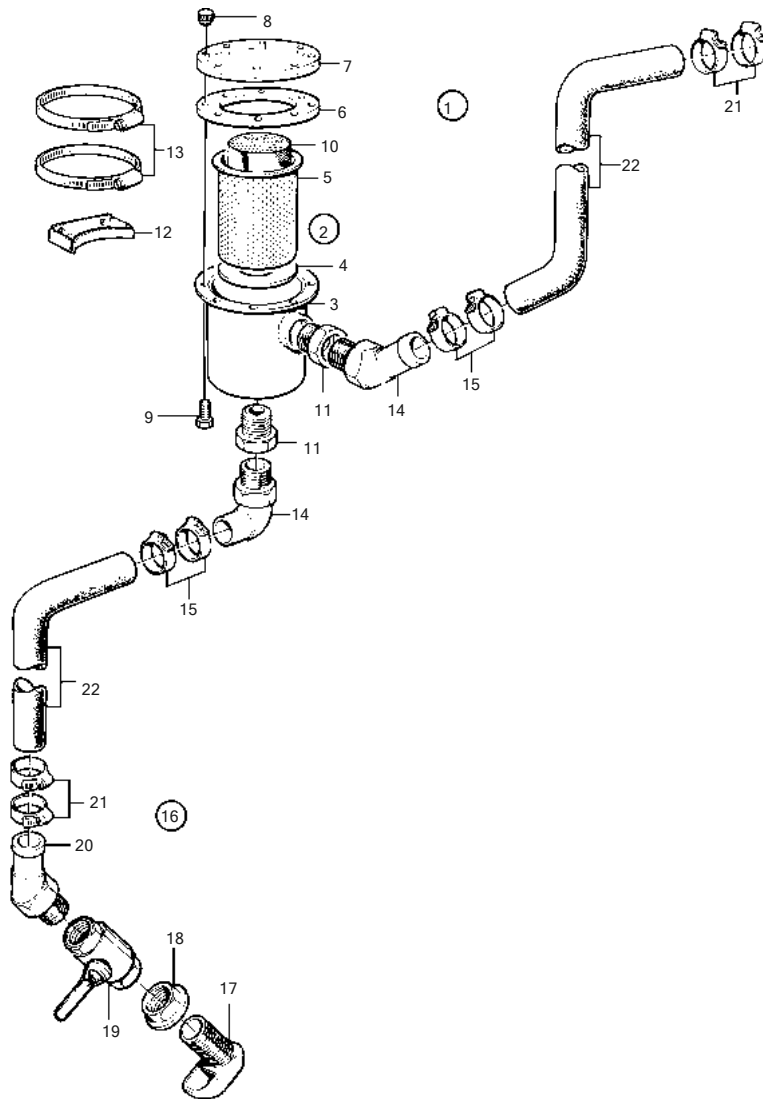


15310

AD31L-A, AD31P-A, AD41L-A, AD41P-A, D41L-A, TAMD31L-A, TAMD31M-A, TAMD31P-A, TAMD31S-A, TAMD41H-A, TAMD41H-B, TAMD41P-A, TAMD41L-A, TAMD41M-A, TMD31L-A, TMD41L-A

REF	PART NO.	QTY	DESCRIPTION	NOTES
1	858588	1	Vacuum valve kit	Repl by 3581591
2	(828534)	1	• Vacuum valve	Obsolete part
3	828533	1	• • Upper section	Obsolete part
4		2	• • Diaphragm	Included in overhaul kit., Only 1 ea as spare part
5	828424	2	• • Gasket	Included in overhaul kit., Only 1 ea as spare part
6	828266	1	• • Lower section	
7	947282	2	• • Gasket	Included in overhaul kit., Only 1 ea as spare part
8	(828501)	1	• Branch pipe	Obsolete part
9	853548	4	• Hose clamp	
10	943473	1	• Hose clamp	
11	843747	1	• Anchorage	
12	976944	1	• Washer	(960141)
13	940142	1	• Hexagon screw	
14	952972	X	Hose	
15	3818424	1	Repair kit	(875738)

AD31L-A, AD31P-A, AD41L-A, AD41P-A, D41L-A, TAM31L-A, TAM31M-A,  
 TAM31P-A, TAM31S-A, TAM41H-A, TAM41H-B, TAM41P-A,  
 TAM41L-A, TAM41M-A, TMD31L-A, TMD41L-A

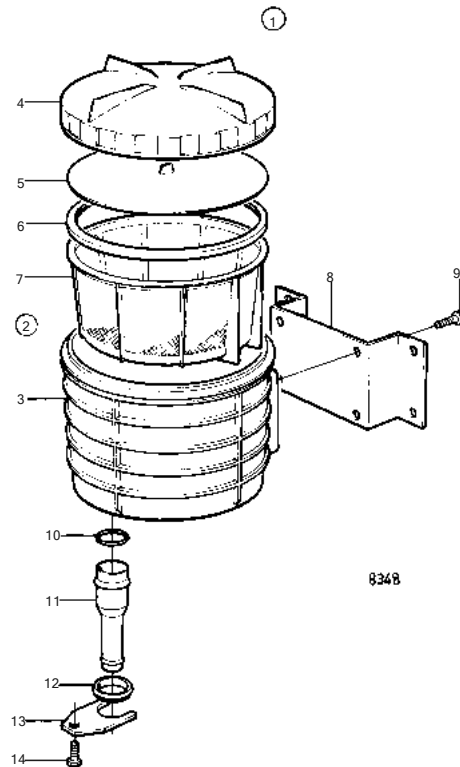


17221

AD31L-A, AD31P-A, AD41L-A, AD41P-A, D41L-A, TAMD31L-A, TAMD31M-A, TAMD31P-A,  
TAMD31S-A, TAMD41H-A, TAMD41H-B, TAMD41P-A, TAMD41L-A, TAMD41M-A,  
TMD31L-A, TMD41L-A

REF	PART NO.	QTY	DESCRIPTION	NOTES
1	1140034	1	Sea water filter	D=32mm
2	842466	1	• Sea water filter	
3		1	• • Housing	
4	3589331	1	• • Gasket kit	
5	843358	1	• • Filter	
6	3589331	1	• • Gasket kit	
7	843359	1	• • Cardboard tube	
8	843357	8	• • Nut	
9	(843362)	8	• • Screw	Obsolete part
10	844902	1	• Sea water filter	
11	844903	2	• Bushing	
12	828061	2	• Retainer	
13	961678	2	• Hose clamp	
14	828696	2	• Hose attachment	
15	961669	4	• Hose clamp	
16	1140129	1	Cooling water inlet	D=32mm
17	836876	1	• Strainer	
18	836879	1	• Nut	
19	1140125	1	• Ball valve	
20	828696	1	• Hose attachment	45°
21	961670	2	• Hose clamp	
22	1140664	X	Exhaust hose	D=32mm

AD31L-A, AD31P-A, AD41L-A, AD41P-A, D41L-A, TAM31L-A, TAM31M-A,  
TAM31P-A, TAM31S-A, TAM41H-A, TAM41H-B, TAM41P-A,  
TAM41L-A, TAM41M-A, TMD31L-A, TMD41L-A

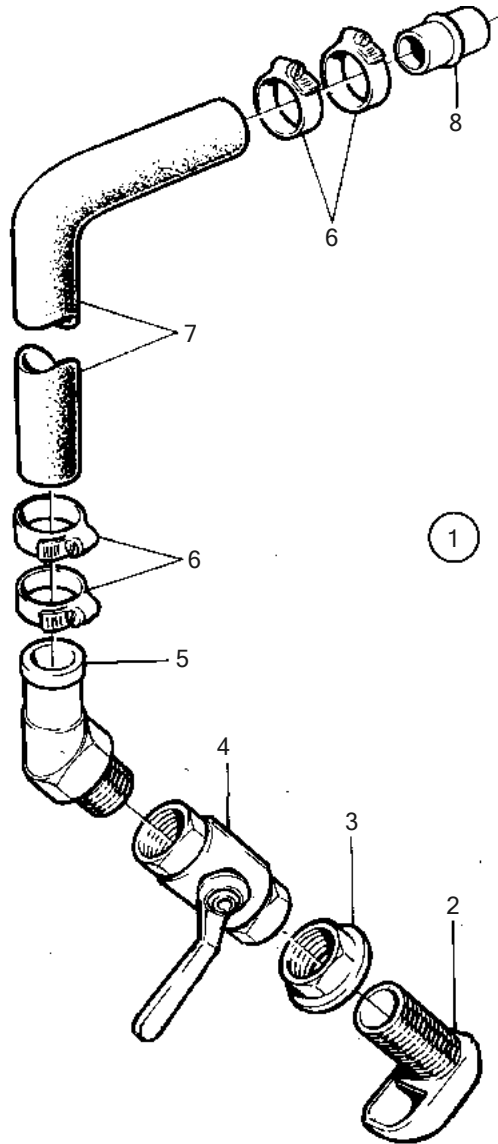




AD31L-A, AD31P-A, AD41L-A, AD41P-A, D41L-A, TAMD31L-A, TAMD31M-A, TAMD31P-A,  
TAMD31S-A, TAMD41H-A, TAMD41H-B, TAMD41P-A, TAMD41L-A, TAMD41M-A,  
TMD31L-A, TMD41L-A

REF	PART NO.	QTY	DESCRIPTION	NOTES
1	21219698	1	Sea water filter	D=32mm
2	845337	1	• Sea water filter	
3	(845338)	1	• • Strainer housing	Obsolete part
4	845317	1	• • Cover	
5	22396396	1	• • Pressure plate	
6	838977	1	• • Sealing	
7	858081	1	• • Strainer	
8	845960	1	• Bracket	
9	940199	4	• Hexagon screw	
10	845354	2	• Sealing ring	
11	21147617	1	• Connection pipe	L=80mm
	21147616	1	• Connection pipe	L=125mm
12	847017	2	• Pipe retainer	
13	21212198	2	• Retainer	
14	940199	2	• Hexagon screw	

AD31L-A, AD31P-A

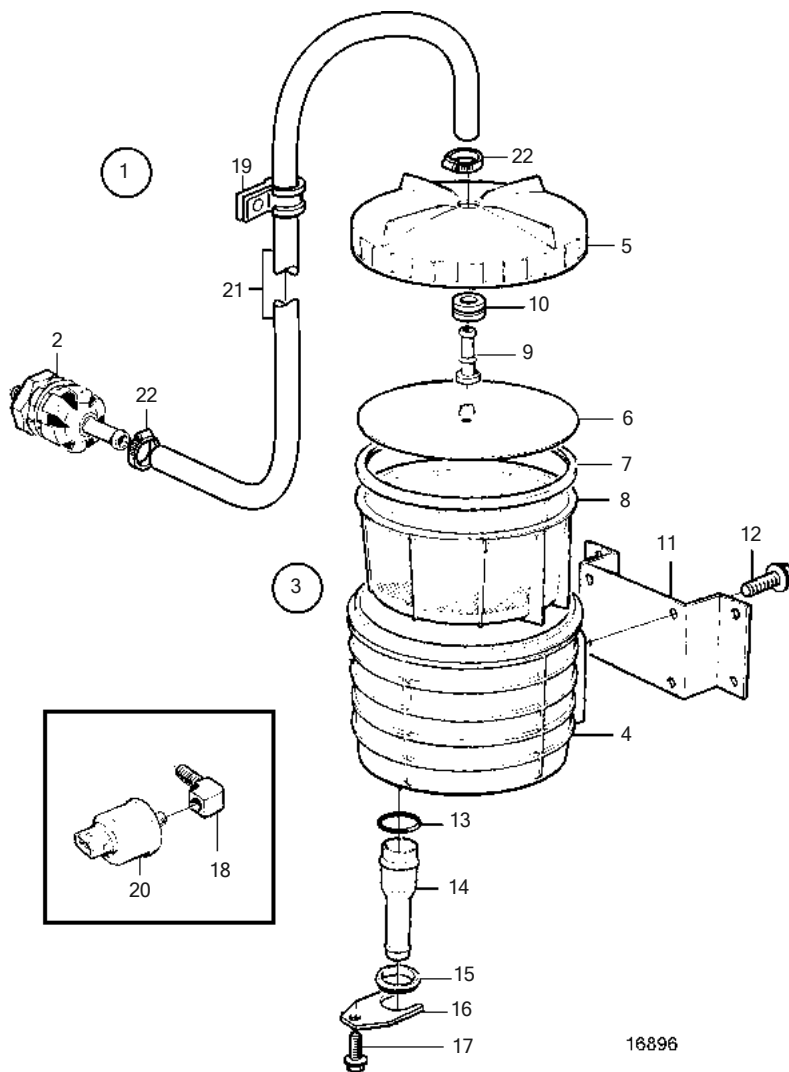


16580

AD31L-A, AD31P-A

REF	PART NO.	QTY	DESCRIPTION	NOTES
1	1140129	1	Cooling water inlet	D=32mm
2	836876	1	• Strainer	
3	836879	1	• Nut	
4	1140125	1	• Ball valve	
5	828696	1	• Hose attachment	45°
6	22274885	X	Hose clamp	
7	1140664	X	Exhaust hose	(828461)
8	861090	1	Tube	For engines without power steering.

TAMD31L-A, TAMD31M-A, TAMD31P-A, TAMD41H-A, TAMD41P-A,  
TAMD41L-A, TAMD41M-A, TMD31L-A, TMD41L-A



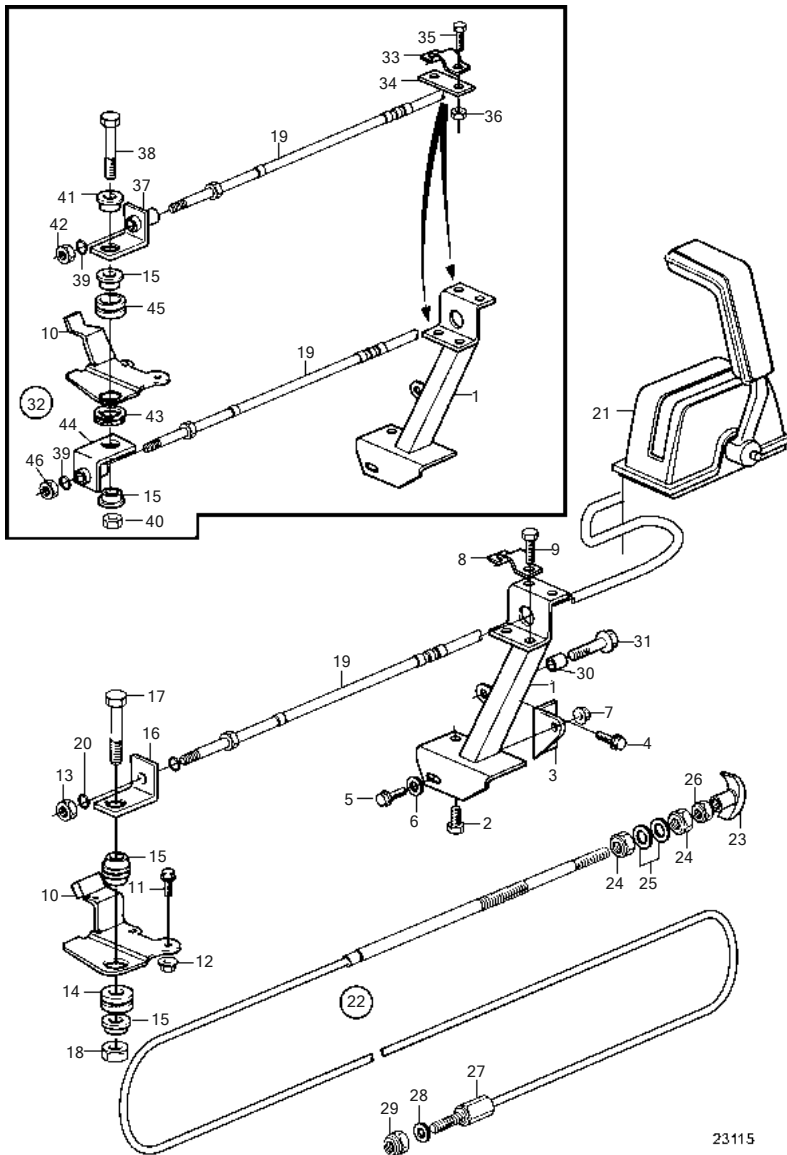
TAMD31L-A, TAMD31M-A, TAMD31P-A, TAMD41H-A, TAMD41P-A, TAMD41L-A,  
TAMD41M-A, TMD31L-A, TMD41L-A

REF	PART NO.	QTY	DESCRIPTION	NOTES
1	(21219680)	1	Vacuum valve kit	Replaced by 2129680, Obsolete part
	(21219680)	1	Vacuum valve kit	Obsolete part
2	3581358	1	• Valve	
3	3581440	1	• Strainer	
4	(845338)	1	• • Strainer housing	Obsolete part
5	3581440	1	• • Strainer	
6	3581437	1	• • Pressure plate	
7	838977	1	• • Sealing	
8	858081	1	• • Strainer	
9	3581439	1	• • Hose nipple	
10	843109	1	• • Bushing	
11	845960	1	• Bracket	
12	940199	4	• Hexagon screw	
13	845354	2	• Sealing ring	
14	21147617	1	• Connection pipe	L=80mm, (847106)
	21147616	1	• Connection pipe	L=125mm, (838582)
15	847017	2	• Pipe retainer	
16	21212198	2	• Retainer	(847018)
17	940199	2	• Hexagon screw	
18	16218	1	• Elbow nipple	
19	952630	2	• Clamp	
20		1	Oil pressure sensor	See group 30
21	943367	X	Rubber hose	
22	961663	2	Hose clamp	

# 27

## Control Connection, Speed and Stop Control

AD31L-A, AD31P-A, TAMD31L-A, TAMD31M-A, TAMD31P-A, TAMD31S-A, TMD31L-A

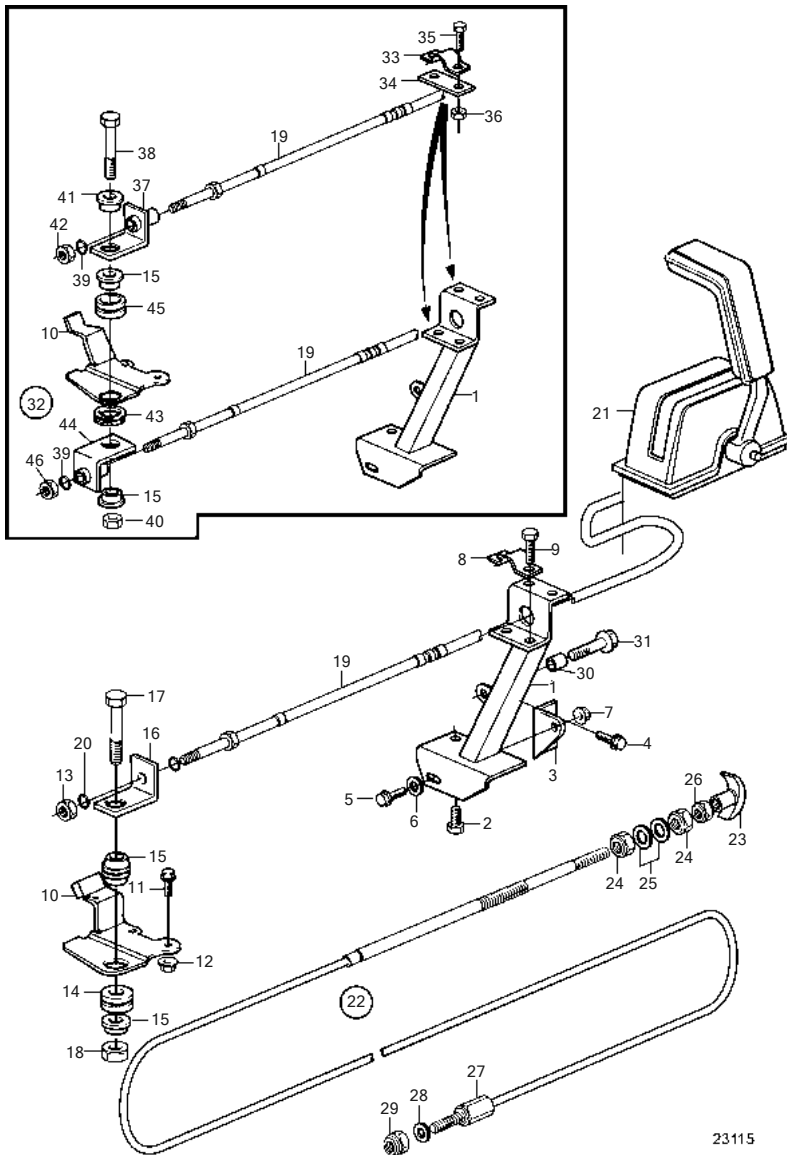


23115

AD31L-A, AD31P-A, TAMD31L-A, TAMD31M-A, TAMD31P-A, TAMD31S-A, TMD31L-A

REF	PART NO.	QTY	DESCRIPTION	SEE SEC.	NOTES
1	858552	1	Bracket		
2	946471	1	Flange screw		L=16mm
	946441	1	Flange screw		L=20mm
3	838753	1	Bracket		
4	946440	2	Flange screw		
5	945444	1	Flange screw		
6	191172	1	Washer		
7	948645	1	Flange lock nut		
8	21471054	1	Bracket		
9	969407	2	6 point socket screw		(956078)
10	(858261)	1	Lever		Obsolete part
11	946544	1	Flange screw		
12	949278	1	Flange lock nut		
13	951674	1	Lock nut		
14	843109	1	Bushing		
15	843105	3	Spacer washer		
16	843107	1	Anchorage		
17	955274	1	Hexagon screw		
18	946035	1	Lock nut		
19		1	Control cable	231	
20	955971	1	O-ring		
21		1	Control		
22	(818478)	1	Push pull control		L=3,3m, Obsolete part
	(818470)	1	Push pull control		L=6,9m, Obsolete part
23	(829241)	1	• Handle		Obsolete part
24	955857	2	• Hexagon nut		
25	955950	2	• Toothed washer		
26	955844	1	• Hexagon nut		
27	829070	1	Cable lock		
28	955894	2	Washer		
29	(950363)	1	Lock nut		Obsolete part
30		1	Spacer sleeve		
31	947542	1	Flange screw		
32	(3581042)	1	Engine speed control		For double steering positions., Obsolete part
33	21471054	1	• Bracket		
34	819068	1	• Washer		
35	969407	2	• 6 point socket screw		(956078)
36	951674	2	• Lock nut		
37	861215	1	• Bracket		
38	955275	1	• Hexagon screw		
39	955971	2	• O-ring		
40	946035	1	• Lock nut		
41	843105	1	• Spacer washer		
42	951674	1	• Lock nut		
43	843105	1	• Spacer washer		
44	861214	1	• Bracket		
45	843109	1	• Bushing		
46	951674	1	• Lock nut		

AD41L-A, AD41P-A, D41L-A, TAMD41H-A, TAMD41P-A, TAMD41L-A,  
TAMD41M-A, TMD41L-A



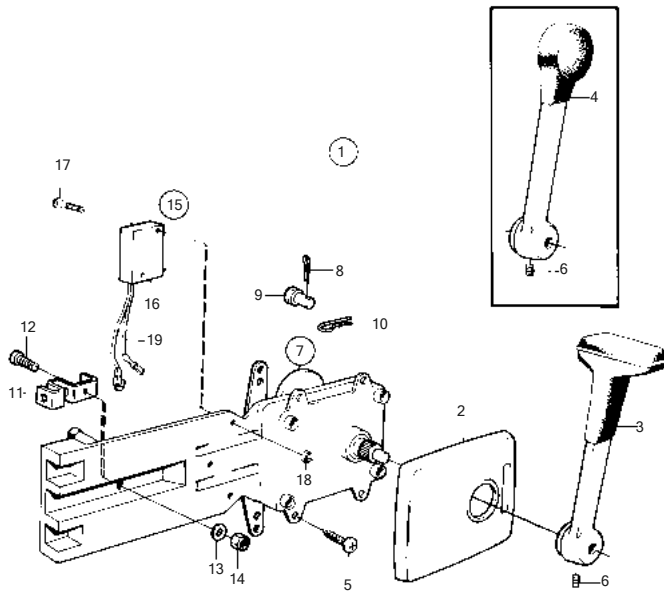
23115



AD41L-A, AD41P-A, D41L-A, TAMD41H-A, TAMD41P-A, TAMD41L-A, TAMD41M-A,  
TMD41L-A

REF	PART NO.	QTY	DESCRIPTION	SEE SEC.	NOTES
1	838783	1	Bracket		
2	946471	1	Flange screw		L=16mm
	946441	1	Flange screw		L=20mm
3	838753	1	Bracket		
4	946440	2	Flange screw		
5	945444	1	Flange screw		
6	191172	1	Washer		
7	948645	1	Flange lock nut		
8	21471054	1	Bracket		
9	969407	2	6 point socket screw		(956078)
10	(858261)	1	Lever		Obsolete part
11	946544	1	Flange screw		
12	949278	1	Flange lock nut		
13	951674	1	Lock nut		
14	843109	1	Bushing		
15	843105	3	Spacer washer		
16	843107	1	Anchorage		
17	955274	1	Hexagon screw		
18	946035	1	Lock nut		
19		1	Control cable	231	
20	955971	1	O-ring		
21		1	Control		
22	(818478)	1	Push pull control		L=3,3m, Obsolete part
	(818470)	1	Push pull control		L=6,9m, Obsolete part
23	(829241)	1	• Handle		Obsolete part
24	955857	2	• Hexagon nut		
25	955950	2	• Toothed washer		
26	955844	1	• Hexagon nut		
27	829070	1	Cable lock		
28	955894	2	Washer		
29	(950363)	1	Lock nut		Obsolete part
30		1	Spacer sleeve		
31	947542	1	Flange screw		
32	(3581042)	1	Engine speed control		For double steering positions., Obsolete part
33	21471054	1	• Bracket		
34	819068	1	• Washer		
35	969407	2	• 6 point socket screw		(956078)
36	951674	2	• Lock nut		
37	861215	1	• Bracket		
38	955275	1	• Hexagon screw		
39	955971	2	• O-ring		
40	946035	1	• Lock nut		
41	843105	1	• Spacer washer		
42	951674	1	• Lock nut		
43	843105	1	• Spacer washer		
44	861214	1	• Bracket		
45	843109	1	• Bushing		
46	951674	1	• Lock nut		

AD31L-A, AD31P-A, AD41L-A, AD41P-A, D41L-A, TAMD31L-A, TAMD31M-A,  
TAMD31P-A, TAMD31S-A, TAMD41H-A, TAMD41H-B, TAMD41P-A,  
TAMD41L-A, TAMD41M-A, TMD31L-A, TMD41L-A



9584

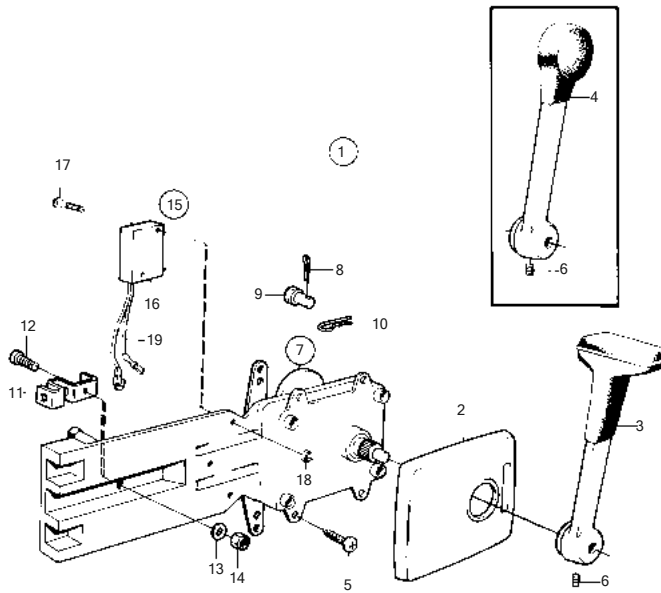
AD31L-A, AD31P-A, AD41L-A, AD41P-A, D41L-A, TAMD31L-A, TAMD31M-A, TAMD31P-A,  
TAMD31S-A, TAMD41H-A, TAMD41H-B, TAMD41P-A, TAMD41L-A, TAMD41M-A,  
TMD31L-A, TMD41L-A

REF	PART NO.	QTY	DESCRIPTION	SEE SEC.	NOTES
1	851604	1	Mounting kit		Repl by 1140092
2	1140048	1	• Cover		
3	839520	1	• Hand lever		
5	955142	4	• Cross recessed screw		
6	839693	1	• Lock screw		
7	851601	1	Control		
8	17253	2	• Split pin		
9	839638	2	• Cube		
10	852924	1	• Clip		
11	853423	1	• Retainer		
12	839664	1	• Screw		
13	940275	1	• Washer		
14	946435	1	• Lock nut		
15	855352	1	Neutral position con		
			• Bulletin P-44-5-22	P-44-5-22-EN	Launch of new sailboat control
16	850200	1	• Toggle switch		
17	946177	2	• Cross recessed screw		
18	947536	2	• Hexagon nut		
19		X	• electrical materials	1963	

27

Control for Side Installation, PC740: PC740,  
SAILING BOAT

AD31L-A, AD31P-A, AD41L-A, AD41P-A, D41L-A, TAMD31L-A, TAMD31M-A,  
TAMD31P-A, TAMD31S-A, TAMD41H-A, TAMD41H-B, TAMD41P-A,  
TAMD41L-A, TAMD41M-A, TMD31L-A, TMD41L-A



9584

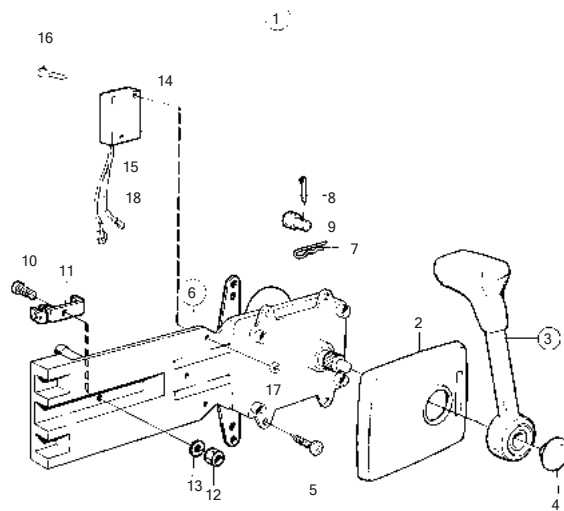
**Control for Side Installation, PC740: PC740, SAILING BOAT**

**27**

AD31L-A, AD31P-A, AD41L-A, AD41P-A, D41L-A, TAMD31L-A, TAMD31M-A, TAMD31P-A, TAMD31S-A, TAMD41H-A, TAMD41H-B, TAMD41P-A, TAMD41L-A, TAMD41M-A, TMD31L-A, TMD41L-A

REF	PART NO.	QTY	DESCRIPTION	SEE SEC.	NOTES
1	851605	1	Mounting kit		
2	1140048	1	• Cover		
4	839521	1	• Hand lever		
5	955142	4	• Cross recessed screw		
6	839693	1	• Lock screw		
7	851601	1	Control		
8	17253	2	• Split pin		
9	839638	2	• Cube		
10	852924	1	• Clip		
11	853423	1	• Retainer		
12	839664	1	• Screw		
13	940275	1	• Washer		
14	946435	1	• Lock nut		
15	855352	1	Neutral position con		
			Bulletin P-44-5-22	P-44-5-22-EN	Launch of new sailboat control
16	850200	1	• Toggle switch		
17	946177	2	• Cross recessed screw		
18	947536	2	• Hexagon nut		
19		X	• electrical materials	1963	

AD31L-A, AD31P-A, AD41L-A, AD41P-A, D41L-A, TAM31L-A, TAM31M-A,  
TAM31P-A, TAM31S-A, TAM41H-A, TAM41H-B, TAM41P-A,  
TAM41L-A, TAM41M-A, TMD31L-A, TMD41L-A

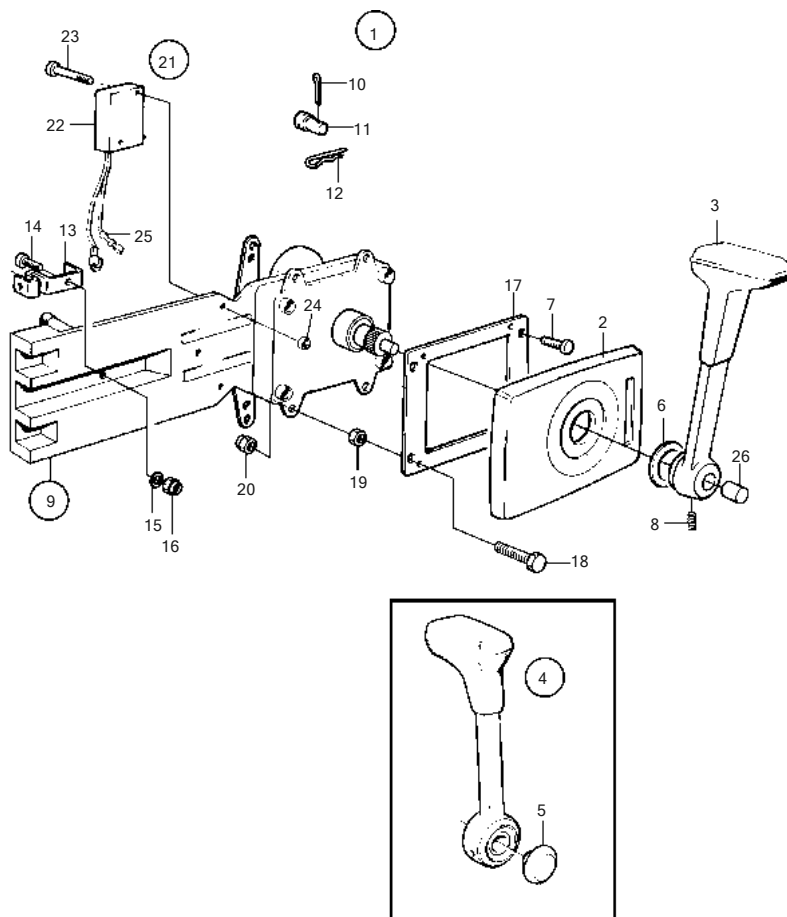


9606

AD31L-A, AD31P-A, AD41L-A, AD41P-A, D41L-A, TAMD31L-A, TAMD31M-A, TAMD31P-A,  
TAMD31S-A, TAMD41H-A, TAMD41H-B, TAMD41P-A, TAMD41L-A, TAMD41M-A,  
TMD31L-A, TMD41L-A

REF	PART NO.	QTY	DESCRIPTION	SEE SEC.	NOTES
1	853102	1	Mounting kit		Replaced by 1140090
2	1140048	1	• Cover		
3	852347	1	• Hand lever		
			• •		
			•	266	
4	853004	1	• Push button		
5	955142	4	• Cross recessed screw		
6	851601	1	Control		
7	852924	1	• Clip		
8	17253	2	• Split pin		
9	839638	2	• Cube		
10	839664	1	• Screw		
11	853423	1	• Retainer		
12	946435	1	• Lock nut		
13	940275	1	• Washer		
14	855352	1	Neutral position con		
			• Bulletin P-44-5-22	P-44-5-22-EN	Launch of new sailboat control
15	850200	1	• Toggle switch		
16	946177	2	• Cross recessed screw		
17	947536	2	• Hexagon nut		
18		X	• electrical materials	1963	

AD31L-A, AD31P-A, AD41L-A, AD41P-A, D41L-A, TAM31L-A, TAM31M-A,  
TAM31P-A, TAM31S-A, TAM41H-A, TAM41H-B, TAM41P-A,  
TAM41L-A, TAM41M-A, TMD31L-A, TMD41L-A



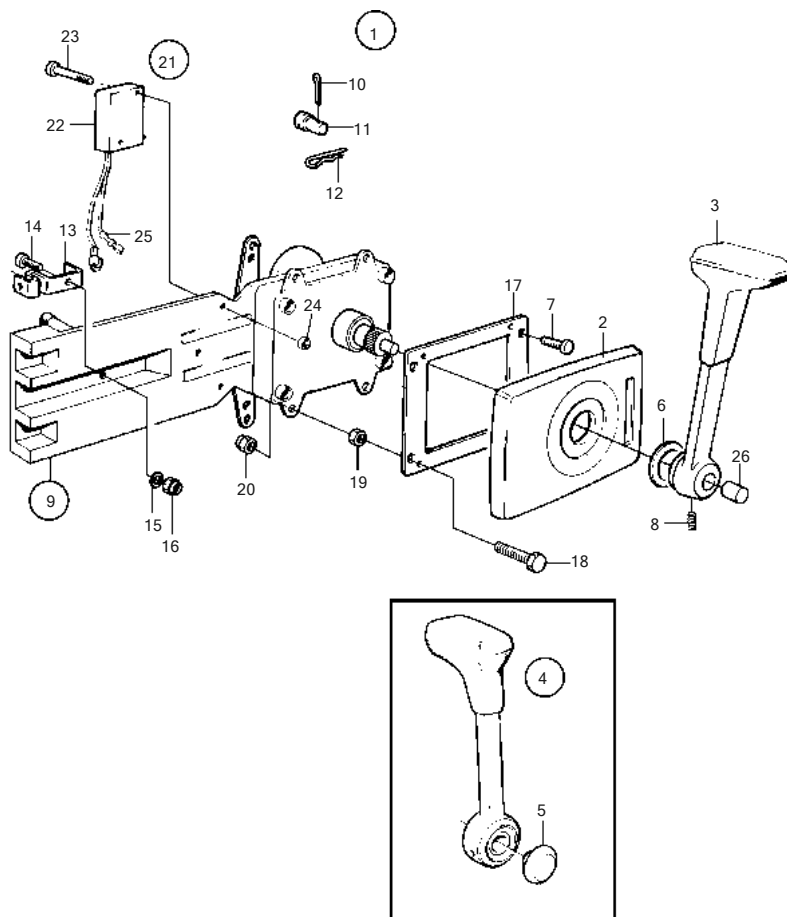
18844



AD31L-A, AD31P-A, AD41L-A, AD41P-A, D41L-A, TAMD31L-A, TAMD31M-A, TAMD31P-A,  
TAMD31S-A, TAMD41H-A, TAMD41H-B, TAMD41P-A, TAMD41L-A, TAMD41M-A,  
TMD31L-A, TMD41L-A

REF	PART NO.	QTY	DESCRIPTION	SEE SEC.	NOTES
1	1140092	1	Mounting kit		
2	853713	1	• Cover		
			• Bulletin P-44-5-22	P-44-5-22-EN	Launch of new sailboat control
3	839520	1	• Hand lever		
4			•	266	
6	1140094	1	• Washer		
7	961330	4	• Cross recessed screw		
8	839693	1	• Lock screw		
9	1140095	1	Control mechanism		
10	17253	2	• Split pin		
11	839638	2	• Cube		
12	852924	1	• Clip		
13	853423	1	• Retainer		
14	839664	1	• Screw		
15	940275	1	• Washer		
16	946435	1	• Lock nut		
17		1	• Attaching plate		
18	963548	4	• Hexagon screw		
19		4	• Nut		
20	946435	4	• Lock nut		
21	855352	1	Neutral position con		
			• Bulletin P-44-5-22	P-44-5-22-EN	Launch of new sailboat control
22	850200	1	• Toggle switch		
23	946177	2	• Cross recessed screw		
24	947536	2	• Hexagon nut		
25		X	• cables and terminals	1963	
26	839632	1	Button		

AD31L-A, AD31P-A, AD41L-A, AD41P-A, D41L-A, TAMD31L-A, TAMD31M-A,  
TAMD31P-A, TAMD31S-A, TAMD41H-A, TAMD41H-B, TAMD41P-A,  
TAMD41L-A, TAMD41M-A, TMD31L-A, TMD41L-A



18844

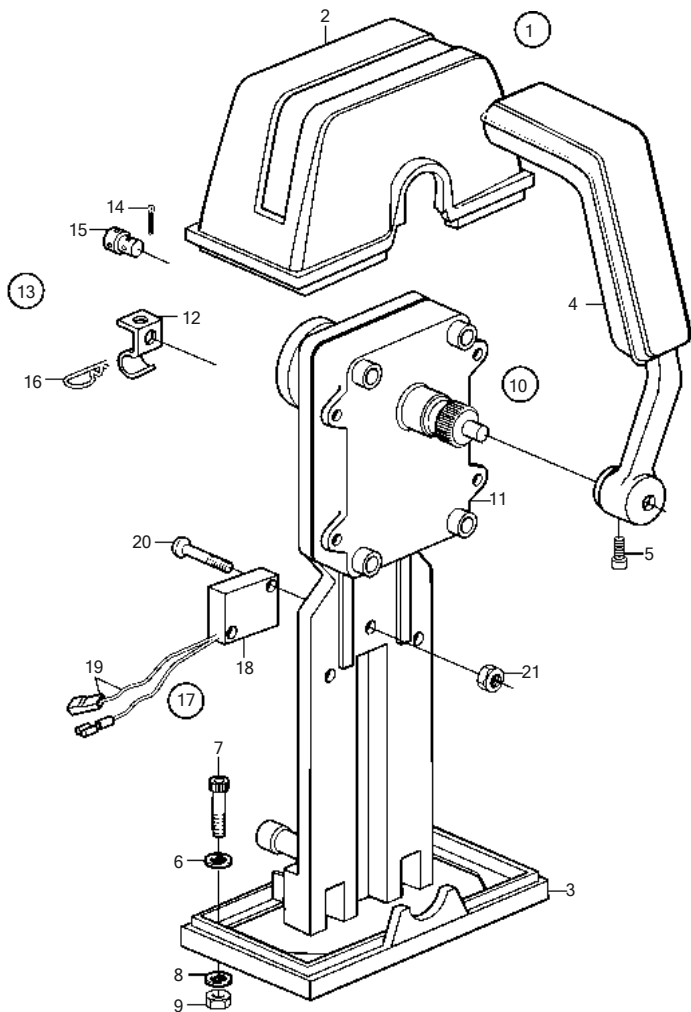
AD31L-A, AD31P-A, AD41L-A, AD41P-A, D41L-A, TAMD31L-A, TAMD31M-A, TAMD31P-A,  
TAMD31S-A, TAMD41H-A, TAMD41H-B, TAMD41P-A, TAMD41L-A, TAMD41M-A,  
TMD31L-A, TMD41L-A

REF	PART NO.	QTY	DESCRIPTION	SEE SEC.	NOTES
1	1140090	1	Mounting kit		
2	853713	1	• Cover		
			Bulletin P-44-5-22	P-44-5-22-EN	Launch of new sailboat control
4	852347	1	• Hand lever		
				266	
5	853004	1	• Push button		
7	961330	4	• Cross recessed screw		
9	1140095	1	Control mechanism		
10	17253	2	• Split pin		
11	839638	2	• Cube		
12	852924	1	• Clip		
13	853423	1	• Retainer		
14	839664	1	• Screw		
15	940275	1	• Washer		
16	946435	1	• Lock nut		
17		1	• Attaching plate		
18	963548	4	• Hexagon screw		
19		4	• Nut		
20	946435	4	• Lock nut		
21	855352	1	Neutral position con		
			Bulletin P-44-5-22	P-44-5-22-EN	Launch of new sailboat control
22	850200	1	• Toggle switch		
23	946177	2	• Cross recessed screw		
24	947536	2	• Hexagon nut		
25		X	• cables and terminals	1963	

# 27

## Control for top Installation, PC740: SINGLE

AD31L-A, AD31P-A, AD41L-A, AD41P-A, D41L-A, TAM31L-A, TAM31M-A, TAM31P-A, TAM31S-A, TAM41H-A, TAM41H-B, TAM41P-A, TAM41L-A, TAM41M-A, TMD31L-A, TMD41L-A

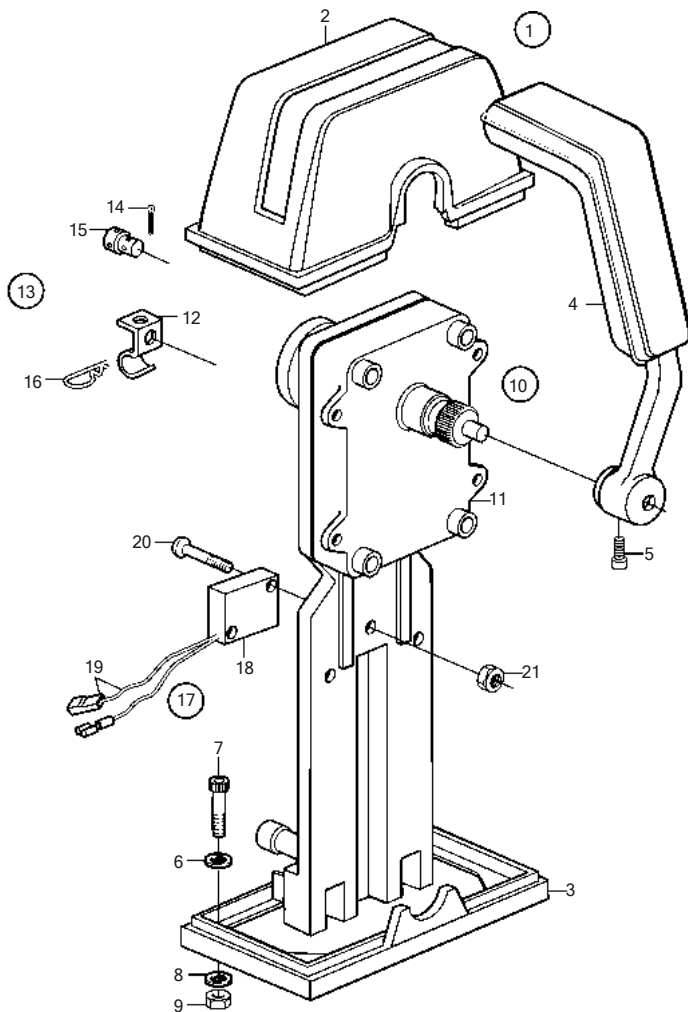


18507

AD31L-A, AD31P-A, AD41L-A, AD41P-A, D41L-A, TAMD31L-A, TAMD31M-A, TAMD31P-A,  
TAMD31S-A, TAMD41H-A, TAMD41H-B, TAMD41P-A, TAMD41L-A, TAMD41M-A,  
TMD31L-A, TMD41L-A

REF	PART NO.	QTY	DESCRIPTION	SEE SEC.	NOTES
1	851602	1	Mounting kit		For single installation.
2	850823	1	• Cover		
3	839474	1	• Plate		
4	839475	1	• Hand lever		
5	839693	1	• Lock screw		
6	940090	2	• Washer		
7	947671	4	• Hex. socket screw		
8	960138	4	• Washer		
9	955780	4	• Hexagon nut		
10	851600	1	Control		
11	(851666)	1	• Control mechanism		Obsolete part
12	853423	1	• Retainer		
13	(851712)	1	• Connector kit		Obsolete part
14	17253	2	• • Split pin		
15	839638	2	• • Cube		
16	852924	1	• • Clip		
17	855352	1	Neutral position con		
			• Bulletin P-44-5-22	P-44-5-22-EN	Launch of new sailboat control
18	850200	1	• Toggle switch		
19		X	• • cables and terminals	1963	
20	946177	2	• Cross recessed screw		
21	947536	2	• Hexagon nut		

AD31L-A, AD31P-A, AD41L-A, AD41P-A, D41L-A, TAM31L-A, TAM31M-A,  
TAM31P-A, TAM31S-A, TAM41H-A, TAM41H-B, TAM41P-A,  
TAM41L-A, TAM41M-A, TMD31L-A, TMD41L-A

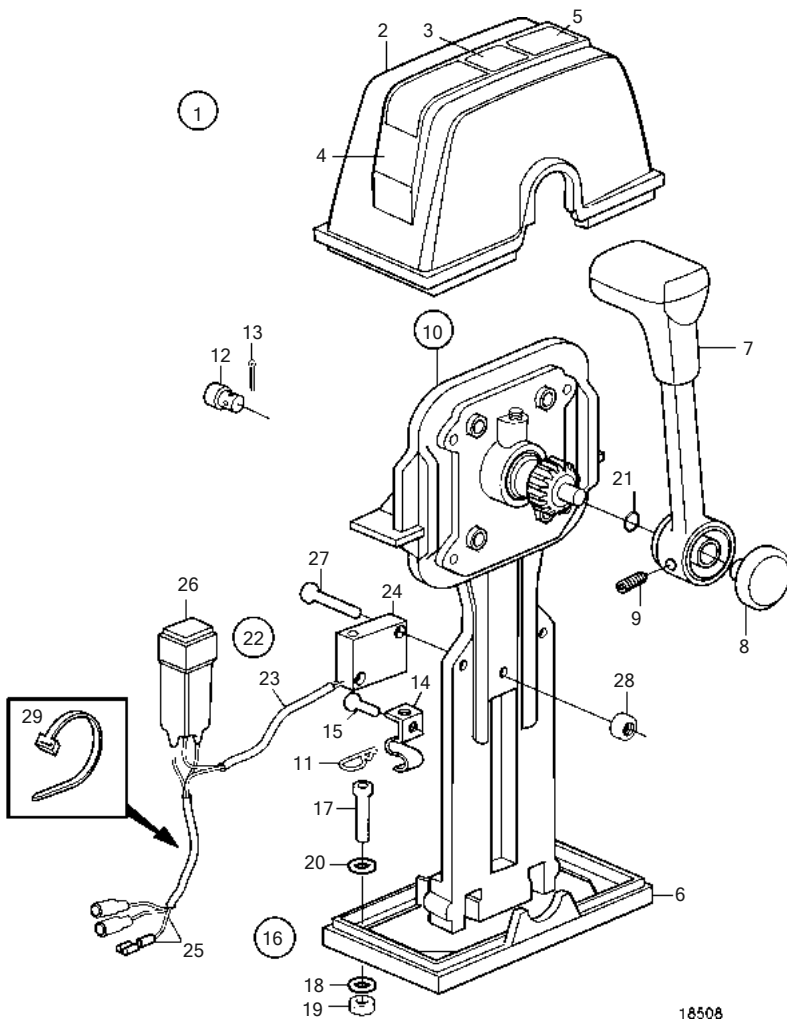


18507

AD31L-A, AD31P-A, AD41L-A, AD41P-A, D41L-A, TAMD31L-A, TAMD31M-A, TAMD31P-A,  
TAMD31S-A, TAMD41H-A, TAMD41H-B, TAMD41P-A, TAMD41L-A, TAMD41M-A,  
TMD31L-A, TMD41L-A

REF	PART NO.	QTY	DESCRIPTION	SEE SEC.	NOTES
1	851603	1	Mounting kit		For twin installation.
2	850824	1	• Cover		
3	839479	1	• Plate		
4	839475	2	• Hand lever		
5	839693	2	• Lock screw		
6	940090	2	• Washer		
7	947671	6	• Hex. socket screw		
8	960138	6	• Washer		
9	955780	6	• Hexagon nut		
10	851600	2	Control		
11	(851666)	2	• Control mechanism		Obsolete part
12	853423	2	• Retainer		
13	(851712)	2	• Connector kit		Obsolete part
14	17253	4	• • Split pin		
15	839638	4	• • Cube		
16	852924	2	• • Clip		
17	855352	2	Neutral position con		
			Bulletin P-44-5-22	P-44-5-22-EN	Launch of new sailboat control
18	850200	2	• Toggle switch		
19		X	• • cables and terminals	1963	
20	946177	4	• Cross recessed screw		
21	947536	4	• Hexagon nut		

AD31L-A, AD31P-A, AD41L-A, AD41P-A, D41L-A, TAM31L-A, TAM31M-A,  
 TAM31P-A, TAM31S-A, TAM41H-A, TAM41H-B, TAM41P-A,  
 TAM41L-A, TAM41M-A, TMD31L-A, TMD41L-A



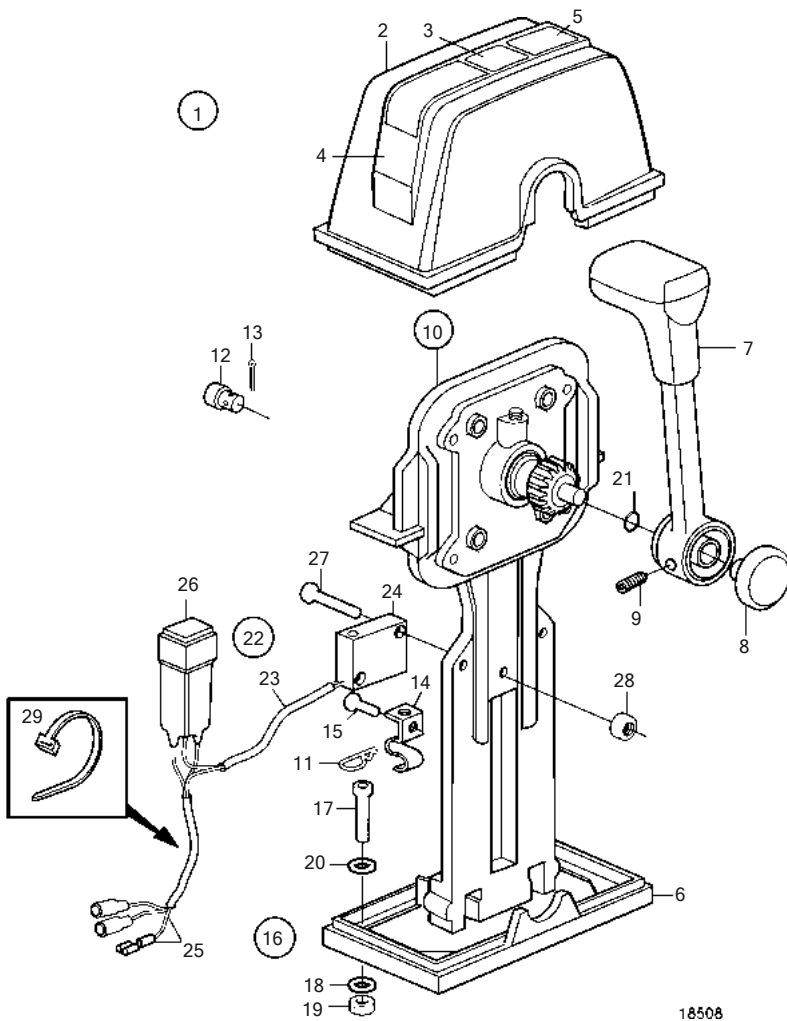
18508



AD31L-A, AD31P-A, AD41L-A, AD41P-A, D41L-A, TAMD31L-A, TAMD31M-A, TAMD31P-A,  
TAMD31S-A, TAMD41H-A, TAMD41H-B, TAMD41P-A, TAMD41L-A, TAMD41M-A,  
TMD31L-A, TMD41L-A

REF	PART NO.	QTY	DESCRIPTION	SEE SEC.	NOTES
1	853168	1	Mounting kit		For single installation.
2	1140046	1	• Cover		
3	851896	2	• • Decal		
4	(851892)	1	• • Crossbar		Obsolete part
5	(851898)	1	• • Decal		Obsolete part
6	839474	1	• • Plate		
7	852347	1	Hand lever		
			•	266	
8		1	• Push button		Included in complete handle.
9		1	• Screw		Included in complete handle.
10	851600	1	Control		
11	852924	1	• Clip		
12	839638	1	• Cube		
13	17253	1	• Split pin		
14	853423	1	• Retainer		
15	839664	1	• Screw		
16		1	Screw kit		
17	947671	4	• Hex. socket screw		
18	960138	4	• Washer		
19	955780	4	• Hexagon nut		
20	940090	4	• Washer		
21	925058	1	• O-ring		
22	855352	1	Neutral position con		
			• Bulletin P-44-5-22	P-44-5-22-EN	Launch of new sailboat control
23	(839619)	1	• Cable kit		Obsolete part
24	850200	1	• • Toggle switch		
25		X	• • cables and terminals	1963	
26	876037	1	• Relay kit		
27	946177	2	• Cross recessed screw		
28	947536	2	• Hexagon nut		
29	948211	X	• Cable tie		

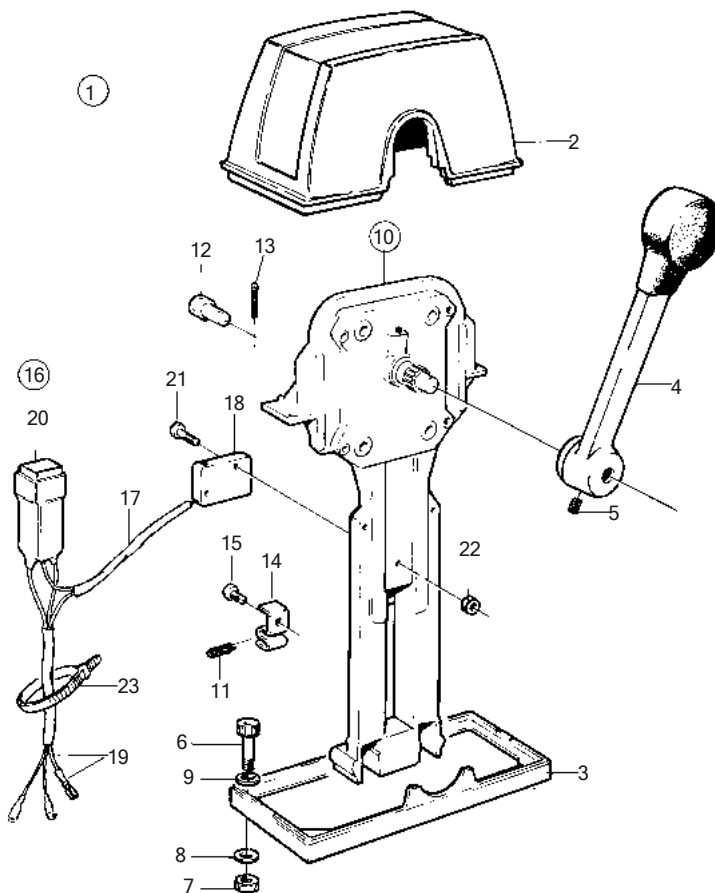
AD31L-A, AD31P-A, AD41L-A, AD41P-A, D41L-A, TAM31L-A, TAM31M-A,  
 TAM31P-A, TAM31S-A, TAM41H-A, TAM41H-B, TAM41P-A,  
 TAM41L-A, TAM41M-A, TMD31L-A, TMD41L-A



AD31L-A, AD31P-A, AD41L-A, AD41P-A, D41L-A, TAMD31L-A, TAMD31M-A, TAMD31P-A,  
TAMD31S-A, TAMD41H-A, TAMD41H-B, TAMD41P-A, TAMD41L-A, TAMD41M-A,  
TMD31L-A, TMD41L-A

REF	PART NO.	QTY	DESCRIPTION	SEE SEC.	NOTES
1	853169	1	Mounting kit		For twin installation.
2	851881	1	• Cover		
3	(851895)	2	• • Decal		Obsolete part
4		1	• • Crossbar		
5	851897	1	• • Decal		
6	839479	1	• • Plate		
7	852347	2	Hand lever		
				266	
8		2	• Push button		Included in complete handle.
9		2	• Screw		Included in complete handle.
10	851600	2	Control		
11	852924	2	• Clip		
12	839638	2	• Cube		
13	17253	2	• Split pin		
14	853423	2	• Retainer		
15	839664	2	• Screw		
16		1	Screw kit		
17	947671	4	• Hex. socket screw		
18	960138	4	• Washer		
19	955780	4	• Hexagon nut		
20	940090	4	• Washer		
21	925058	2	• O-ring		
22	855352	2	Neutral position con		
			Bulletin P-44-5-22	P-44-5-22-EN	Launch of new sailboat control
23	(839619)	2	• Cable kit		Obsolete part
24	850200	2	• • Toggle switch		
25		X	• • cables and terminals	1963	
26	876037	2	• Relay kit		
27	946177	4	• Cross recessed screw		
28	947536	4	• Hexagon nut		
29	948211	X	• Cable tie		

AD31L-A, AD31P-A, AD41L-A, AD41P-A, D41L-A, TAM31L-A, TAM31M-A,  
TAM31P-A, TAM31S-A, TAM41H-A, TAM41H-B, TAM41P-A,  
TAM41L-A, TAM41M-A, TMD31L-A, TMD41L-A



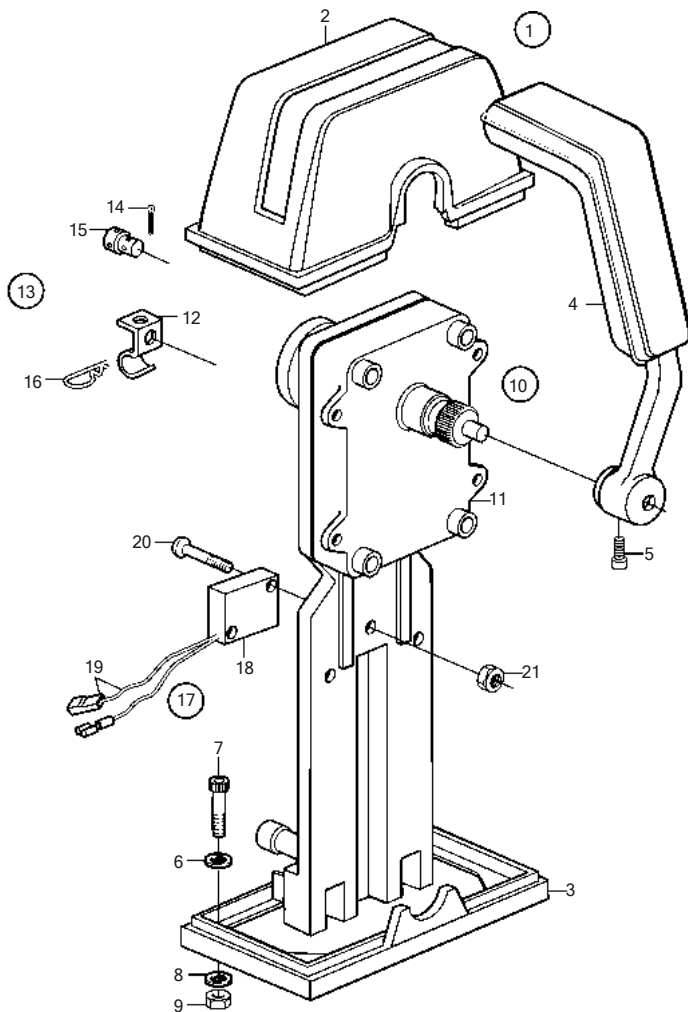
8862

AD31L-A, AD31P-A, AD41L-A, AD41P-A, D41L-A, TAMD31L-A, TAMD31M-A, TAMD31P-A,  
TAMD31S-A, TAMD41H-A, TAMD41H-B, TAMD41P-A, TAMD41L-A, TAMD41M-A,  
TMD31L-A, TMD41L-A

REF	PART NO.	QTY	DESCRIPTION	SEE SEC.	NOTES
1	1140022	1	Mounting kit		
2	850823	1	• Cover		
3	839474	1	• Plate		
4	839521	1	• Hand lever		
5	839693	1	• Lock screw		
6	947671	4	• Hex. socket screw		
7	955780	4	• Hexagon nut		
8	960138	4	• Washer		
9	940090	2	• Washer		
10	851600	1	Control		
11	852924	1	• Clip		
12	839638	2	• Cube		
13	17253	2	• Split pin		
14	853423	1	• Retainer		
15	839664	1	• Screw		
16	855352	1	Neutral position con		
			• Bulletin P-44-5-22	P-44-5-22-EN	Launch of new sailboat control
17	(839619)	1	• Cable kit		Obsolete part
18	850200	1	• • Toggle switch		
19		X	• • cables and terminals	1963	
20	876037	1	• Relay kit		
21	946177	2	• Cross recessed screw		
22	947536	2	• Hexagon nut		
23	948211	X	• Cable tie		

**27****Control for top Installation, PC740: SINGLE**

AD31L-A, AD31P-A, AD41L-A, AD41P-A, D41L-A, TAM31L-A, TAM31M-A,  
TAM31P-A, TAM31S-A, TAM41H-A, TAM41H-B, TAM41P-A,  
TAM41L-A, TAM41M-A, TMD31L-A, TMD41L-A

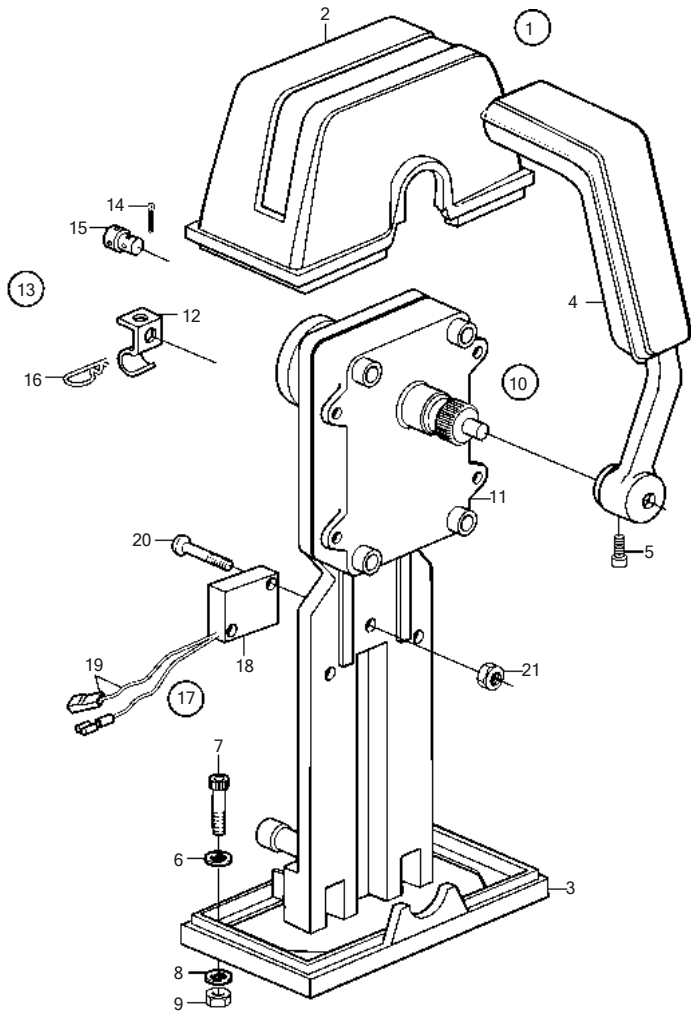


18507

AD31L-A, AD31P-A, AD41L-A, AD41P-A, D41L-A, TAMD31L-A, TAMD31M-A, TAMD31P-A,  
TAMD31S-A, TAMD41H-A, TAMD41H-B, TAMD41P-A, TAMD41L-A, TAMD41M-A,  
TMD31L-A, TMD41L-A

REF	PART NO.	QTY	DESCRIPTION	SEE SEC.	NOTES
1	851602	1	Mounting kit		For single installation.
2	850823	1	• Cover		
3	839474	1	• Plate		
4	839475	1	• Hand lever		
5	839693	1	• Lock screw		
6	947671	4	• Hex. socket screw		
7	940090	2	• Washer		
8	955780	4	• Hexagon nut		
9	960138	4	• Washer		
10	851600	1	Control		
11	(851666)	1	• Control mechanism		Obsolete part
12	853423	1	• Retainer		
13	(851712)	1	• Connector kit		Obsolete part
14	17253	2	• • Split pin		
15	839638	2	• • Cube		
16	852924	1	• • Clip		
17	855352	1	Neutral position con		
			• Bulletin P-44-5-22	P-44-5-22-EN	Launch of new sailboat control
18	850200	1	• Toggle switch		
19		X	• • cables and terminals	1963	
20	946177	2	• Cross recessed screw		
21	947536	2	• Hexagon nut		

AD31L-A, AD31P-A, AD41L-A, AD41P-A, D41L-A, TAM31L-A, TAM31M-A, TAM31P-A, TAM31S-A, TAM41H-A, TAM41H-B, TAM41P-A, TAM41L-A, TAM41M-A, TMD31L-A, TMD41L-A



18507



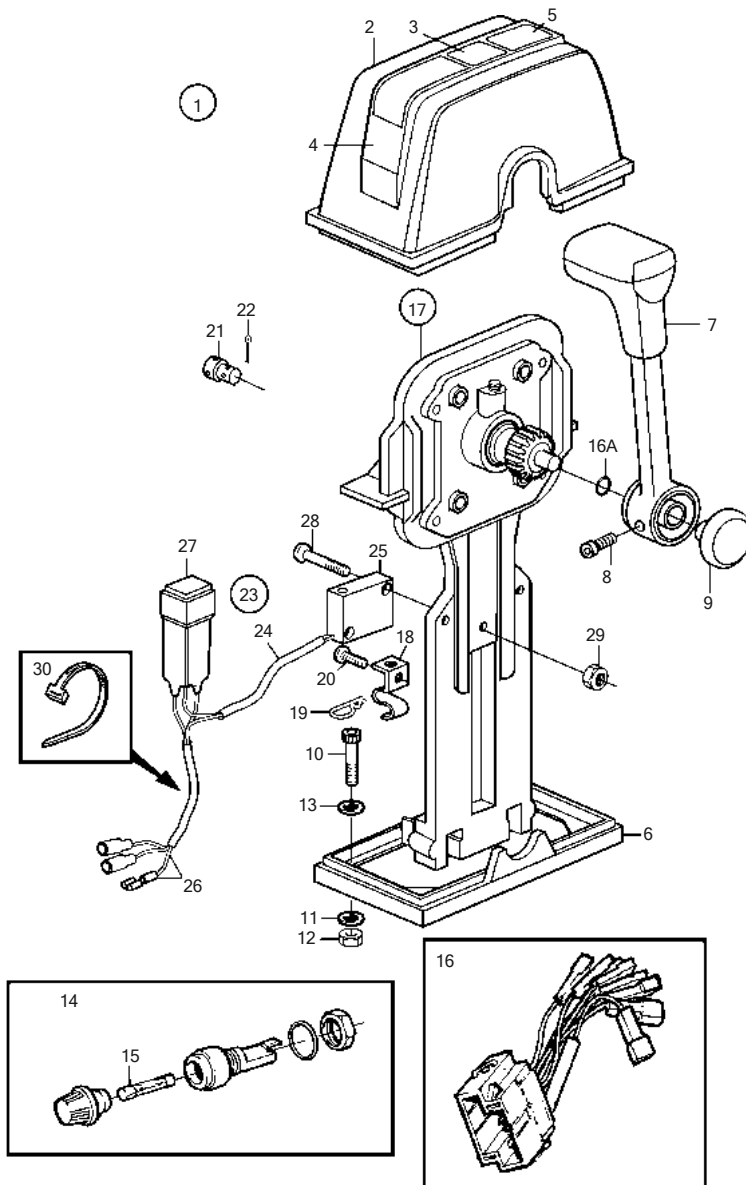
AD31L-A, AD31P-A, AD41L-A, AD41P-A, D41L-A, TAMD31L-A, TAMD31M-A, TAMD31P-A,  
TAMD31S-A, TAMD41H-A, TAMD41H-B, TAMD41P-A, TAMD41L-A, TAMD41M-A,  
TMD31L-A, TMD41L-A

REF	PART NO.	QTY	DESCRIPTION	SEE SEC.	NOTES
1	851603	1	Mounting kit		For twin installation.
2	850824	1	• Cover		
3	839479	1	• Plate		
4	839475	2	• Hand lever		
5	839693	2	• Lock screw		
6	947671	6	• Hex. socket screw		
7	940090	2	• Washer		
8	955780	6	• Hexagon nut		
9	960138	6	• Washer		
10	851600	2	Control		
11	(851666)	2	• Control mechanism		Obsolete part
12	853423	2	• Retainer		
13	(851712)	2	• Connector kit		Obsolete part
14	17253	4	• • Split pin		
15	839638	4	• • Cube		
16	852924	2	• • Clip		
17	855352	2	Neutral position con		
			Bulletin P-44-5-22	P-44-5-22-EN	Launch of new sailboat control
18	850200	2	• Toggle switch		
19		X	• • cables and terminals	1963	
20	946177	4	• Cross recessed screw		
21	947536	4	• Hexagon nut		

# 27

## Control for top Installation, PC840 Power Trim

AD31L-A, AD31P-A, AD41L-A, AD41P-A, D41L-A, TAMD31L-A, TAMD31M-A, TAMD31P-A, TAMD31S-A, TAMD41H-A, TAMD41H-B, TAMD41P-A, TAMD41L-A, TAMD41M-A, TMD31L-A, TMD41L-A

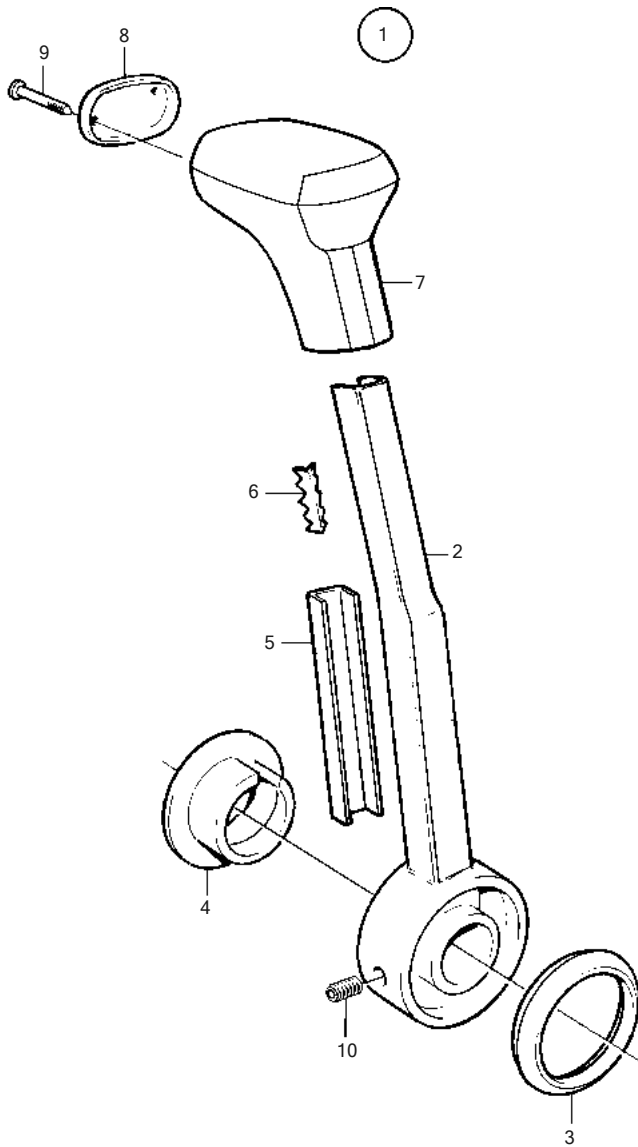


18510

AD31L-A, AD31P-A, AD41L-A, AD41P-A, D41L-A, TAMD31L-A, TAMD31M-A, TAMD31P-A,  
TAMD31S-A, TAMD41H-A, TAMD41H-B, TAMD41P-A, TAMD41L-A, TAMD41M-A,  
TMD31L-A, TMD41L-A

REF	PART NO.	QTY	DESCRIPTION	SEE SEC.	NOTES
1	1140043	1	Mounting kit		
2	1140046	1	• Cover		
3	851896	2	• • Decal		
4	(851892)	1	• • Crossbar		Obsolete part
5		1	• • Decal		
6	839474	1	• • Plate		
7	1140041	1	• Hand lever		
			• •		
			•	703	
8	963678	1	• • Hex. socket screw		
9	853004	1	• Push button		
10	947671	4	• Hex. socket screw		
11	960138	4	• Washer		
12	955780	4	• Hexagon nut		
13	940090	4	• Washer		
14	841073	1	• Fuse holder		
15	853342	2	• Fuse		5A
16	872444	1	• Adapter		
16A	925058	1	• O-ring		
17	851600	1	Control		
18	853423	1	• Retainer		
19	852924	1	• Clip		
20	839664	1	• Screw		
21	839638	1	• Cube		
22	17253	1	• Split pin		
23	855352	1	Neutral position con		
			• Bulletin P-44-5-22	P-44-5-22-EN	Launch of new sailboat control
24	(839619)	1	• Cable kit		Obsolete part
25	850200	1	• • Toggle switch		
26		X	• • electrical materials	1963	
27	876037	1	• Relay kit		
28	946177	2	• Cross recessed screw		
29	947536	2	• Hexagon nut		
30	948211	X	• Cable tie		

AD31L-A, AD31P-A, AD41L-A, AD41P-A, D41L-A, TAM31L-A, TAM31M-A,  
TAM31P-A, TAM31S-A, TAM41H-A, TAM41H-B, TAM41P-A,  
TAM41L-A, TAM41M-A, TMD31L-A, TMD41L-A



18645

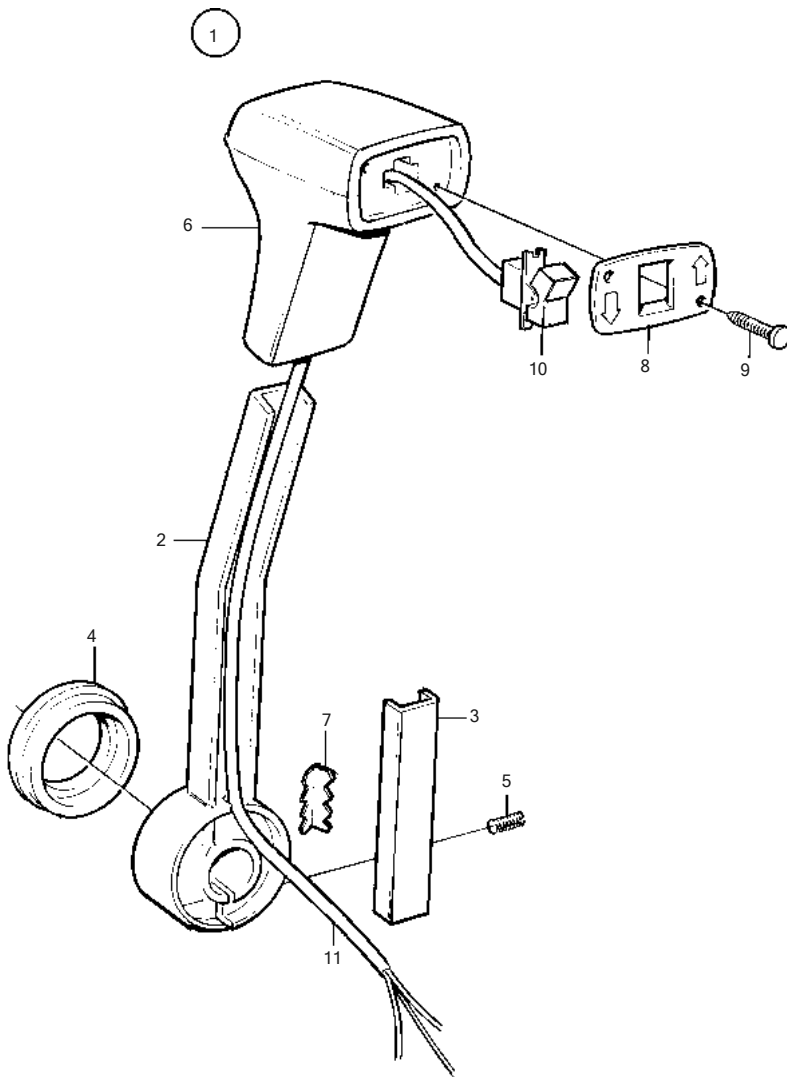
AD31L-A, AD31P-A, AD41L-A, AD41P-A, D41L-A, TAMD31L-A, TAMD31M-A, TAMD31P-A, TAMD31S-A, TAMD41H-A, TAMD41H-B, TAMD41P-A, TAMD41L-A, TAMD41M-A, TMD31L-A, TMD41L-A

REF	PART NO.	QTY	DESCRIPTION	NOTES
1	852347	1	Hand lever	
2	828911	1	• Hand lever	
3	852995	1	• Ring	
4	853004	1	• Push button	
5	852991	1	• Rail	
6	853000	1	• Striker plate	
7	852989	1	• Handle	
8	3818554	1	• Cardboard tube	(852992)
9	853003	2	• Nail	
10	963678	1	• Hex. socket screw	

27

Handle for Control with Power Trim: Top Installation

AD31L-A, AD31P-A, AD41L-A, AD41P-A, D41L-A, TAMD31L-A, TAMD31M-A, TAMD31P-A, TAMD31S-A, TAMD41H-A, TAMD41H-B, TAMD41P-A, TAMD41L-A, TAMD41M-A, TMD31L-A, TMD41L-A



18646

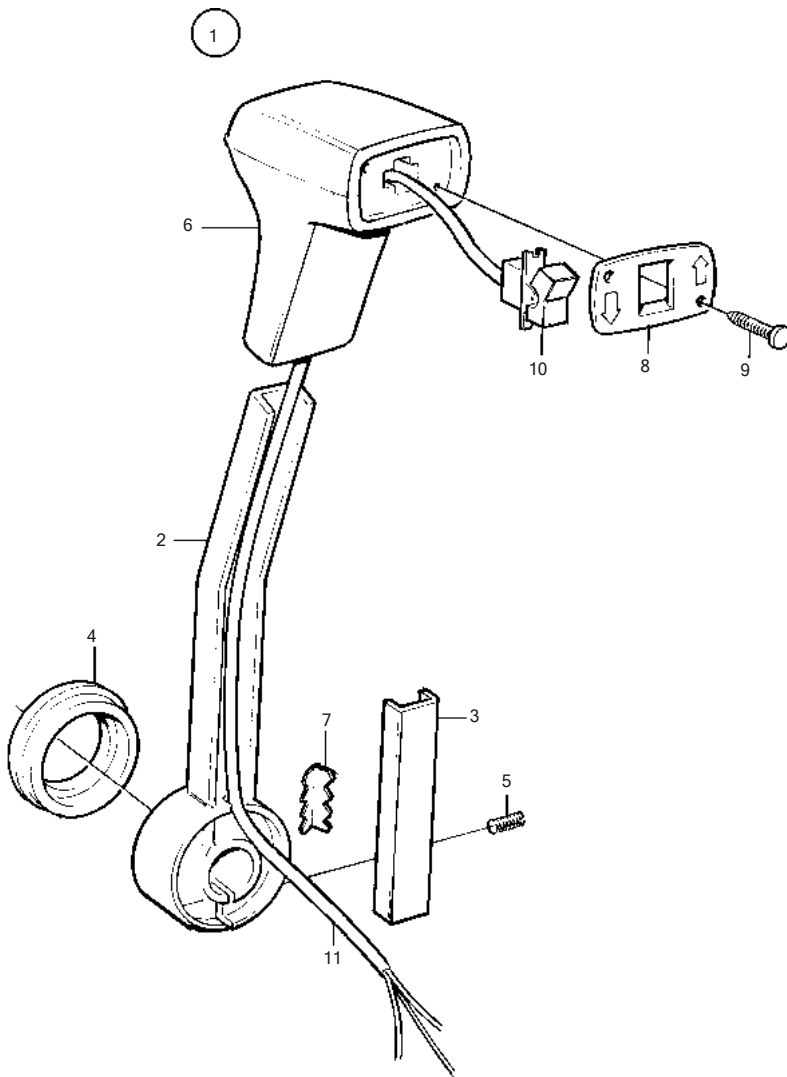
AD31L-A, AD31P-A, AD41L-A, AD41P-A, D41L-A, TAM31L-A, TAM31M-A, TAM31P-A, TAM31S-A, TAM41H-A, TAM41H-B, TAM41P-A, TAM41L-A, TAM41M-A, TMD31L-A, TMD41L-A

REF	PART NO.	QTY	DESCRIPTION
1	1140041	1	Hand lever
2			• Lever
3	852991	1	• Rail
4	852995	1	• Ring
5	963678	1	• Hex. socket screw
6		1	• Handle
7	853000	1	• Striker plate
8	3818553	1	• Connector cap
9	853003	2	• Nail
10	853311	1	• Switch
11		1	• cables and terminals

27

Handle for Control with Power Trim: Side Installation

AD31L-A, AD31P-A, AD41L-A, AD41P-A, D41L-A, TAMD31L-A, TAMD31M-A, TAMD31P-A, TAMD31S-A, TAMD41H-A, TAMD41H-B, TAMD41P-A, TAMD41L-A, TAMD41M-A, TMD31L-A, TMD41L-A



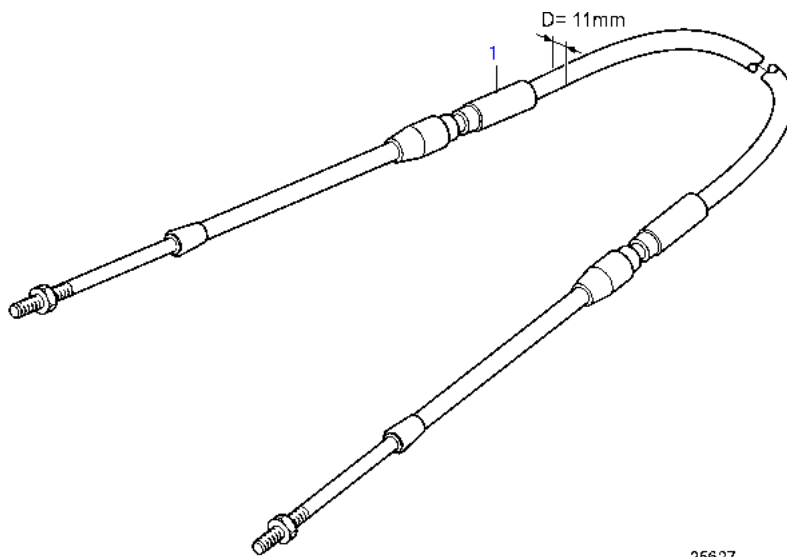
18646



AD31L-A, AD31P-A, AD41L-A, AD41P-A, D41L-A, TAM31L-A, TAM31M-A, TAM31P-A, TAM31S-A, TAM41H-A, TAM41H-B, TAM41P-A, TAM41L-A, TAM41M-A, TMD31L-A, TMD41L-A

REF	PART NO.	QTY	DESCRIPTION
1	1140042	1	Hand lever
3	852991	1	• Rail
4	852995	1	• Ring
5	963678	1	• Hex. socket screw
6		1	• Handle
7	853000	1	• Striker plate
8	3818553	1	• Connector cap
9	853003	2	• Nail
10	853311	1	• Switch
11		1	• cables and terminals

AD31L-A, AD31P-A, AD41L-A, AD41P-A, D41L-A, TAM31L-A, TAM31M-A,  
TAM31P-A, TAM31S-A, TAM41H-A, TAM41H-B, TAM41P-A,  
TAM41L-A, TAM41M-A, TMD31L-A, TMD41L-A



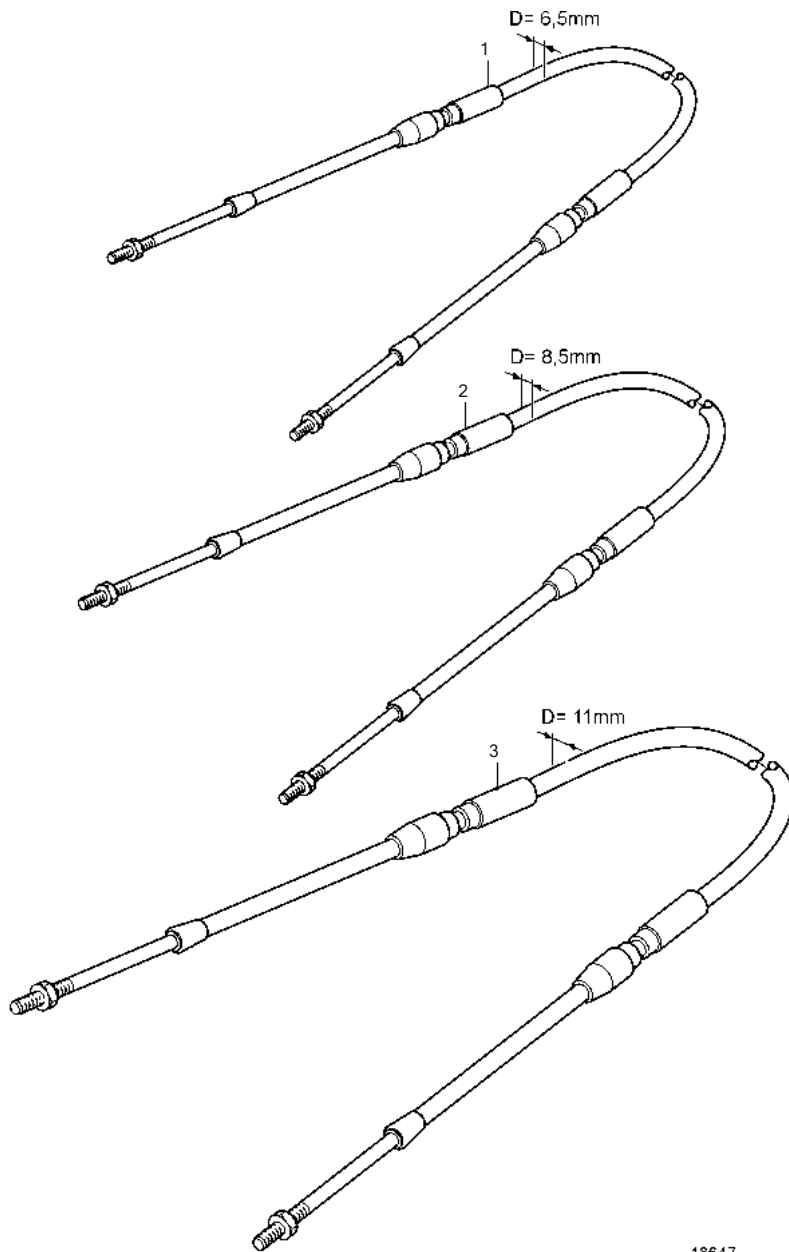
25827



27

Control Cables, Type 233, 333, 443: Type 233

AD31L-A, AD31P-A, AD41L-A, AD41P-A, D41L-A, TAMD31L-A, TAMD31M-A, TAMD31P-A, TAMD31S-A, TAMD41H-A, TAMD41H-B, TAMD41P-A, TAMD41L-A, TAMD41M-A, TMD31L-A, TMD41L-A



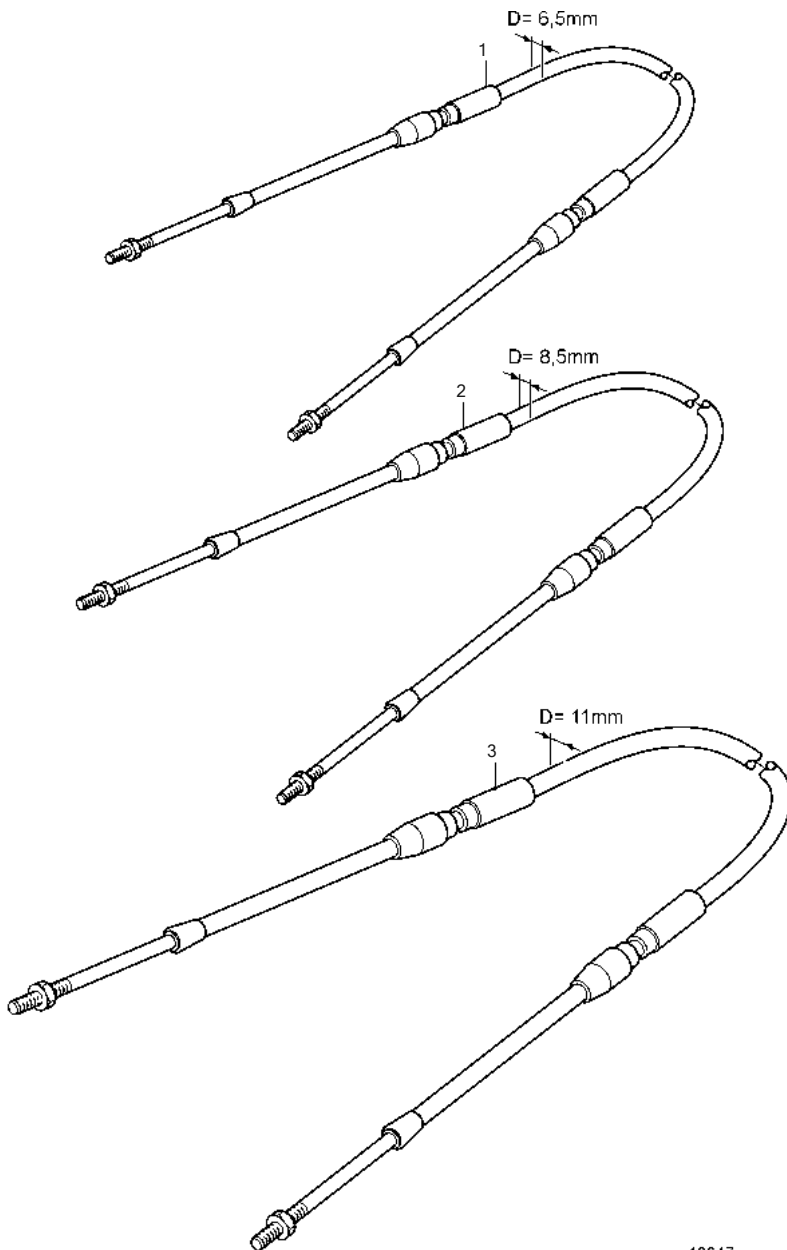
18647

AD31L-A, AD31P-A, AD41L-A, AD41P-A, D41L-A, TAMD31L-A, TAMD31M-A, TAMD31P-A,  
TAMD31S-A, TAMD41H-A, TAMD41H-B, TAMD41P-A, TAMD41L-A, TAMD41M-A,  
TMD31L-A, TMD41L-A

REF	PART NO.	QTY	DESCRIPTION	NOTES
1	1140131	1	Control cable	L=1250mm
	(1140132)	1	Control cable	L=1500mm, Obsolete part
	(1140133)	1	Control cable	Obsolete part, L=1750mm
	(1140134)	1	Control cable	Obsolete part, L=2000mm
	(1140135)	1	Control cable	Obsolete part, L=2250mm
	(1140136)	1	Control cable	Obsolete part, L=2500mm
	(1140137)	1	Control cable	Obsolete part, L=2750mm
	(1140138)	1	Control cable	Obsolete part, L=3000mm
	1140139	1	Control cable	L=3250mm
	(1140140)	1	Control cable	Obsolete part, L=3500mm
	(1140141)	1	Control cable	Obsolete part, L=3750mm
	(1140142)	1	Control cable	Obsolete part, L=4000mm
	(1140143)	1	Control cable	Obsolete part, L=4250mm
	(1140144)	1	Control cable	Obsolete part, L=4500mm
	1140145	1	Control cable	L=4750mm
	(1140146)	1	Control cable	Obsolete part, L=5000mm

27

Control Cables, Type 233, 333, 443: Type 333

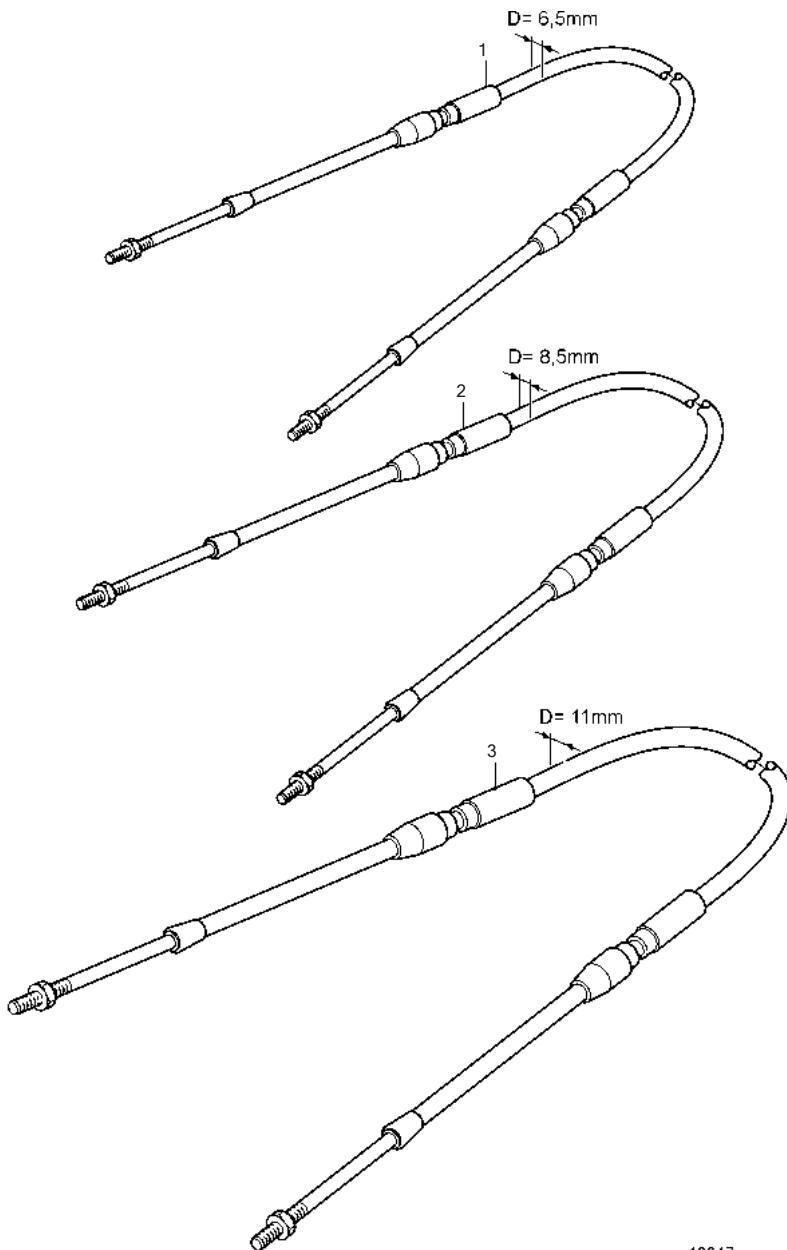


18647

REF	PART NO.	QTY	DESCRIPTION	NOTES
2	1140171	1	Control cable	L=1000mm
	1140172	1	Control cable	L=1250mm
	1140173	1	Control cable	L=1500mm
	1140174	1	Control cable	L=1750mm
	1140175	1	Control cable	L=2000mm
	1140176	1	Control cable	L=2250mm
	1140177	1	Control cable	L=2500mm
	1140178	1	Control cable	L=2750mm
	1140179	1	Control cable	L=3000mm
	1140180	1	Control cable	L=3250mm
	1140181	1	Control cable	L=3500mm
	1140182	1	Control cable	L=3750mm
	1140183	1	Control cable	L=4000mm
	1140184	1	Control cable	L=4250mm
	1140185	1	Control cable	L=4500mm
	1140186	1	Control cable	L=4750mm
	1140187	1	Control cable	L=5000mm
	1140188	1	Control cable	L=5250mm
	1140189	1	Control cable	L=5500mm
	1140190	1	Control cable	L=5750mm
	1140191	1	Control cable	L=6000mm
	1140192	1	Control cable	L=6250mm
	1140193	1	Control cable	L=6500mm
	1140194	1	Control cable	L=6750mm
	1140195	1	Control cable	L=7000mm
	1140196	1	Control cable	L=7250mm
	1140197	1	Control cable	L=7500mm
	1140198	1	Control cable	L=7750mm
	1140199	1	Control cable	L=8000mm
	888081	1	Control cable	L=8250mm
	1140200	1	Control cable	L=8500mm
	888082	1	Control cable	L=8750mm
	1140201	1	Control cable	L=9000mm
	888083	1	Control cable	L=9250mm
	1140202	1	Control cable	L=9500mm
	888084	1	Control cable	L=9750mm
	1140203	1	Control cable	L=10000mm
	888085	1	Control cable	L=10250mm
	1140204	1	Control cable	L=10500mm
	888086	1	Control cable	L=10750mm
	1140205	1	Control cable	L=11000mm
	888087	1	Control cable	L=11250mm
	1140206	1	Control cable	L=11500mm
	888088	1	Control cable	L=11750mm
	1140207	1	Control cable	L=12000mm
	888089	1	Control cable	L=12250mm
	1140208	1	Control cable	L=12500mm
	888090	1	Control cable	L=12750mm
	1140209	1	Control cable	L=13000mm

27

Control Cables, Type 233, 333, 443: Type 443

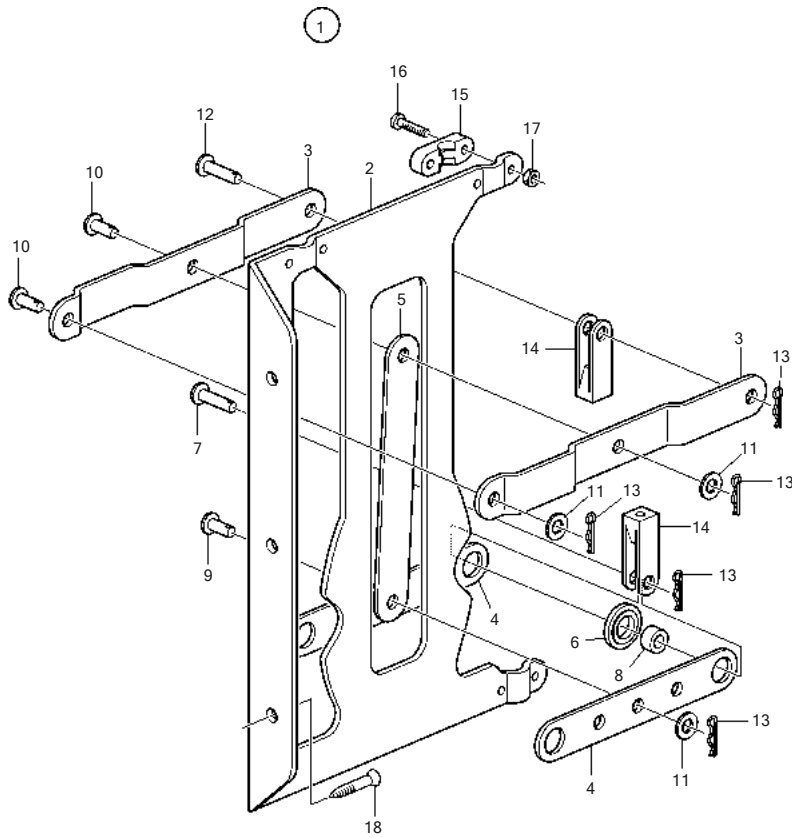


18647



REF	PART NO.	QTY	DESCRIPTION	NOTES
3	(1140101)	1	Control cable	Obsolete part, L=2000mm
	(1140102)	1	Control cable	Obsolete part, L=2500mm
	(1140103)	1	Control cable	Obsolete part, L=3000mm
	(1140104)	1	Control cable	Obsolete part, L=3500mm
	(1140105)	1	Control cable	Obsolete part, L=4000mm
	(1140106)	1	Control cable	Obsolete part, L=4500mm
	(1140107)	1	Control cable	Obsolete part, L=5000mm
	(1140108)	1	Control cable	Obsolete part, L=5500mm
	(1140109)	1	Control cable	Obsolete part, L=6000mm
	(1140110)	1	Control cable	Obsolete part, L=6500mm
	(1140111)	1	Control cable	Obsolete part, L=7000mm
	(1140112)	1	Control cable	Obsolete part, L=7500mm
	(1140113)	1	Control cable	Obsolete part, L=8000mm
	(1140114)	1	Control cable	Obsolete part, L=8500mm
	1140115	1	Control cable	L=9000mm
	(1140116)	1	Control cable	Obsolete part, L=9500mm
	1140117	1	Control cable	L=10000mm
	(1140118)	1	Control cable	Obsolete part, L=11000mm
	(1140119)	1	Control cable	Obsolete part, L=12000mm
	(1140120)	1	Control cable	Obsolete part, L=13000mm
	(1140121)	1	Control cable	Obsolete part, L=14000mm
	(1140122)	1	Control cable	Obsolete part, L=15000mm

AD31L-A, AD31P-A, AD41L-A, AD41P-A, D41L-A, TAM31L-A, TAM31M-A,  
 TAM31P-A, TAM31S-A, TAM41H-A, TAM41H-B, TAM41P-A,  
 TAM41L-A, TAM41M-A, TMD31L-A, TMD41L-A

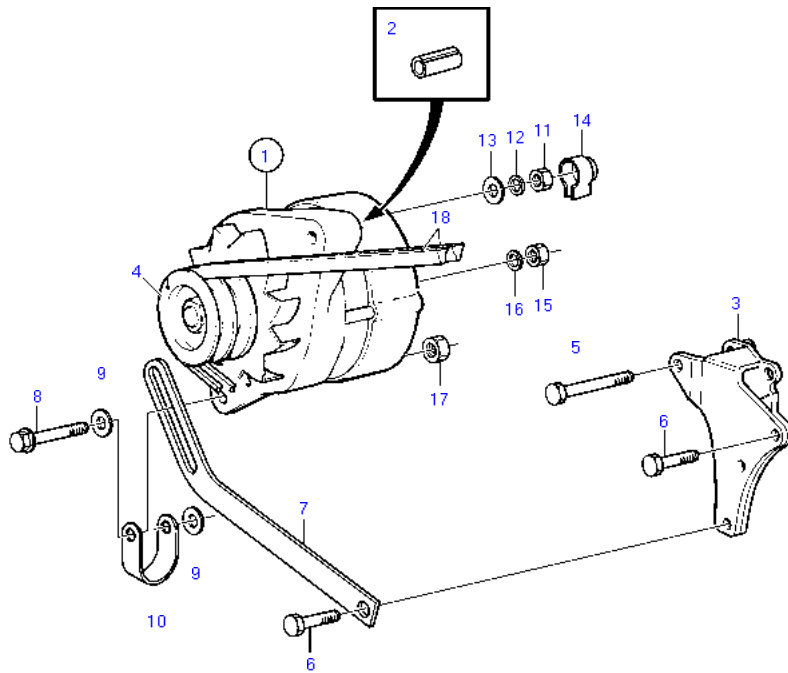


23103

AD31L-A, AD31P-A, AD41L-A, AD41P-A, D41L-A, TAMD31L-A, TAMD31M-A, TAMD31P-A,  
TAMD31S-A, TAMD41H-A, TAMD41H-B, TAMD41P-A, TAMD41L-A, TAMD41M-A,  
TMD31L-A, TMD41L-A

REF	PART NO.	QTY	DESCRIPTION	NOTES
1	828164	1	Connection plate	For double steering positions.
2		1	• Housing	
3		2	• Lever	
4		2	• Lever	
5		1	• Lever	
6	828180	2	• Roller	
7	828183	2	• Split pin	
8	828178	2	• Bushing	
9	(850358)	1	• Clevis pin	Obsolete part
10	(828177)	2	• Clevis pin	Obsolete part
11	940191	3	• Washer	
12	828182	1	• Clevis pin	
13	664822	6	• Split pin	
14	850452	3	• Fork	
15	850361	3	• Cable attachment	
16	969407	6	• 6 point socket screw	(956078)
17	955780	6	• Hexagon nut	
18	(905448)	3	Screw	Obsolete part

AD31L-A, AD31P-A, AD41L-A, AD41P-A, D41L-A, TAM31L-A, TAM31M-A,  
TAM31P-A, TAM31S-A, TAM41H-A, TAM41H-B, TAM41P-A,  
TAM41L-A, TAM41M-A, TMD31L-A, TMD41L-A

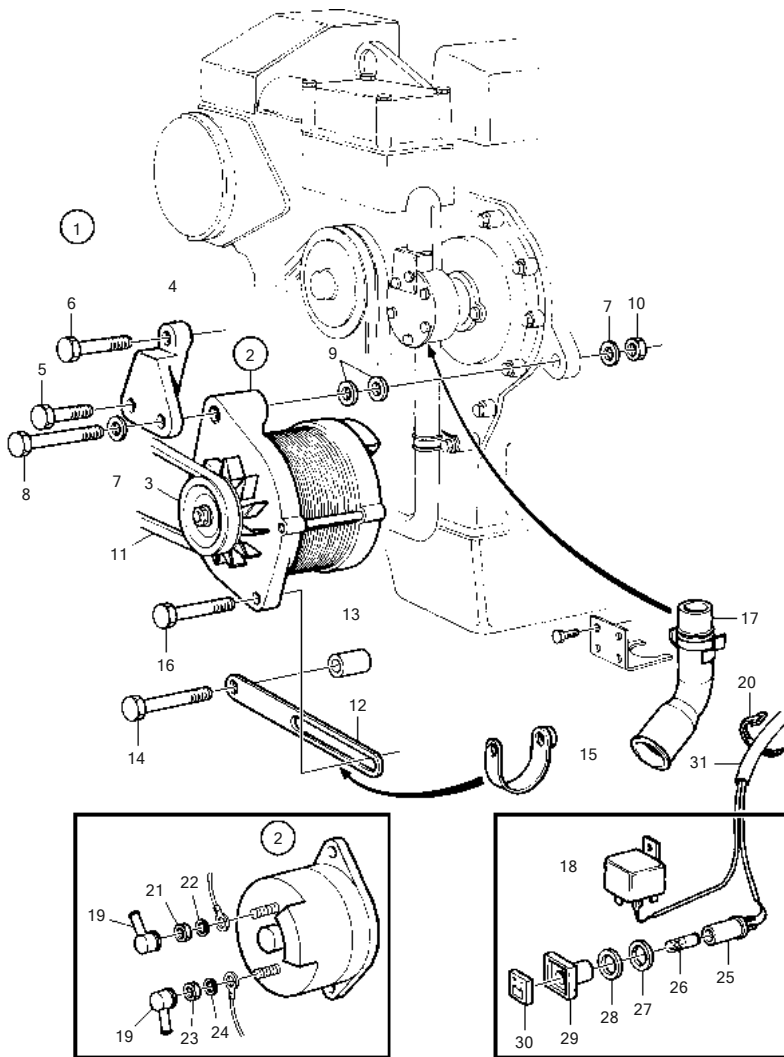


23070

AD31L-A, AD31P-A, AD41L-A, AD41P-A, D41L-A, TAMD31L-A, TAMD31M-A, TAMD31P-A, TAMD31S-A, TAMD41H-A, TAMD41H-B, TAMD41P-A, TAMD41L-A, TAMD41M-A, TMD31L-A, TMD41L-A

REF	PART NO.	QTY	DESCRIPTION	SEE SEC.	NOTES
1	872235	1	Alternator		14V 60A
	3803260	1	Alternator, exch, exch		14V 60A
			.		
			.	448	
	872021	1	Alternator		28V 60A, repl by 873757
			.		
			.	3838	
	873757	1	Alternator		28V 60A, repl by 873771
			.		
			.	3838	
	873771	1	Alternator		28V 60A
	3803443	1	Alternator, exch, exch		28V 60A
			.		
			.	3838	
2	1610144	1	Spring pin		
3	860271	1	Bracket		
4	841812	1	Pulley		
5	955554	1	Hexagon screw		
6	973924	1	Flange screw		L=50mm
	965182	2	Flange screw		L=80mm
	969189	1	Flange screw		L=85mm
7	835352	1	Tensioner		
8	947760	1	Flange screw		
9	955893	2	Washer		
10	466735	1	Tensioning eyelet		
11	955781	1	Hexagon nut		
12	949607	1	Spring washer		
13	960140	1	Washer		
14	(1234326)	1	Protecting casing		Obsolete part
15	965483	1	Flange nut		
16	941905	1	Spring washer		
17	945407	1	Flange nut		
18	966978	1	V-belt		

AD31L-A, AD31P-A, AD41L-A, AD41P-A, D41L-A, TAM31L-A, TAM31M-A,  
 TAM31P-A, TAM31S-A, TAM41H-A, TAM41H-B, TAM41P-A,  
 TAM41L-A, TAM41M-A, TMD31L-A, TMD41L-A

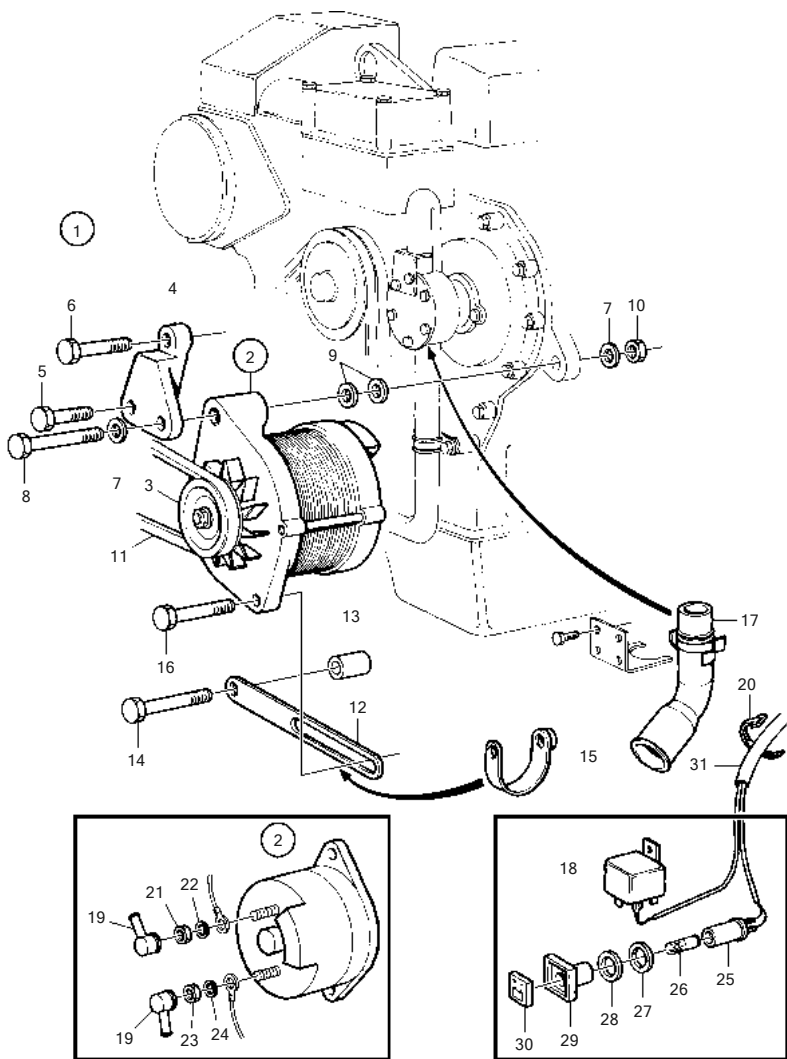


8432

AD31L-A, AD31P-A, AD41L-A, AD41P-A, D41L-A, TAMD31L-A, TAMD31M-A, TAMD31P-A,  
TAMD31S-A, TAMD41H-A, TAMD41H-B, TAMD41P-A, TAMD41L-A, TAMD41M-A,  
TMD31L-A, TMD41L-A

REF	PART NO.	QTY	DESCRIPTION	SEE SEC.	NOTES
1	(858620)	1	Alternator kit		12V 50A, Obsolete part
2	872926	1	• Alternator		14V 50A
			• •		Replaced by 872235
			•	1029	
	872235	1	• Alternator		14V 60A
	3803260	1	• Alternator, exch, exch		14V 60A
			• •		
			•	448	
3	841813	1	• Pulley		
4	843057	1	• Bracket		
5	965183	1	• Flange screw		
6	965180	1	• Flange screw		
7	941908	2	• Spring washer		
8	968237	1	• Flange screw		
9	192495	2	• Washer		
10	971095	1	• Flange nut		
11	978696	1	• V-belt		
12	843055	1	• Tensioner		
13	843075	1	• Spacer sleeve		
14	965183	1	• Flange screw		
15	466735	1	• Tensioning eyelet		
16	947760	1	• Flange screw		
17	858559	1	• Hose connection		
18	1324492	1	• Relay		(872300)
19	842150	1	• Protective cap		
20	948211	X	• Cable tie		
21	955780	1	• Hexagon nut		
22	941905	1	• Spring washer		
23	955781	1	• Hexagon nut		
24	941906	1	• Spring washer		
25	808175	1	• Lamp socket		
26	19923	1	• Bulb		
27	967583	1	• Retainer		
28	829714	1	• Sealing ring		
29	838455	1	• Retainer		
30	838457	1	• Symbol strip		
31		X	• cables and terminals		

AD31L-A, AD31P-A, AD41L-A, AD41P-A, D41L-A, TAMD31L-A, TAMD31M-A,  
 TAMD31P-A, TAMD31S-A, TAMD41H-A, TAMD41H-B, TAMD41P-A,  
 TAMD41L-A, TAMD41M-A, TMD31L-A, TMD41L-A



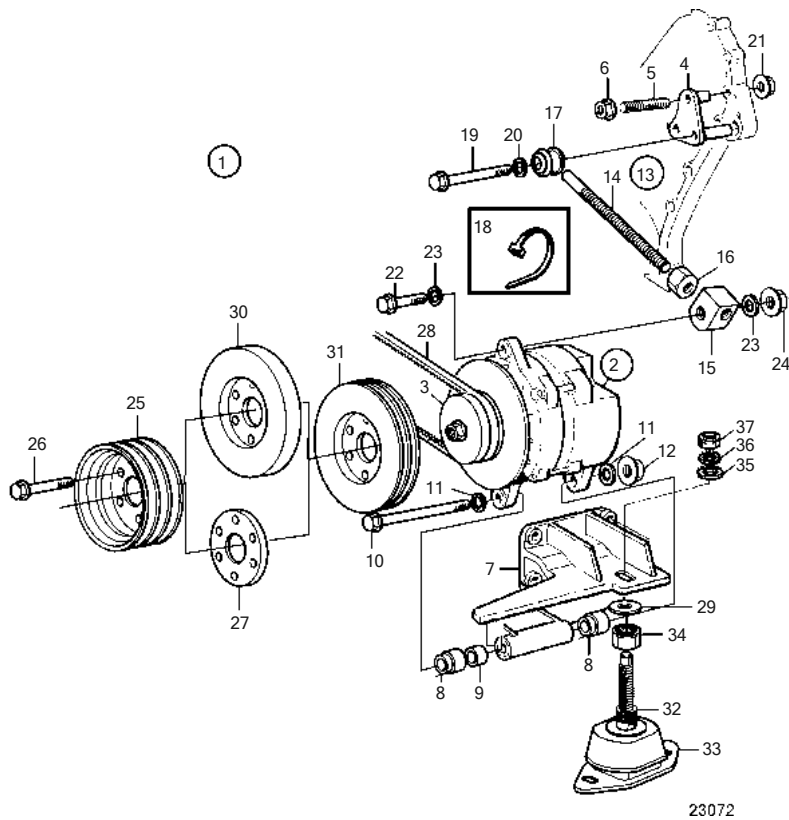
8432



AD31L-A, AD31P-A, AD41L-A, AD41P-A, D41L-A, TAMD31L-A, TAMD31M-A, TAMD31P-A,  
TAMD31S-A, TAMD41H-A, TAMD41H-B, TAMD41P-A, TAMD41L-A, TAMD41M-A,  
TMD31L-A, TMD41L-A

REF	PART NO.	QTY	DESCRIPTION	SEE SEC.	NOTES
1	858679	1	Alternator kit		24V 25A
			.		
			.	448	
2	849602	1	Alternator		28V 30A
			.		
			.	1733	
	849561	1	Alternator		28V 30A
	3803066	1	Alternator, exch, exch		28V 30A
			parts not sold separately		
	872927	1	Alternator		
	3803619	1	Alternator, exch, exch		
			.		
			.	4942	
3	841813	1	Pulley		
4	843057	1	Bracket		
5	965183	1	Flange screw		
6	965180	1	Flange screw		
7	941908	2	Spring washer		
8	968237	1	Flange screw		
9	192495	2	Washer		
10	971095	1	Flange nut		
11	978696	1	V-belt		(967109)
12	843055	1	Tensioner		
13	843075	1	Spacer sleeve		
14	965183	1	Flange screw		
15	466735	1	Tensioning eyelet		
16	947760	1	Flange screw		
17	858559	1	Hose connection		
18	1324492	1	Relay		(872300)
19	842150	1	Protective cap		
20	948211	X	Cable tie		
21	955780	1	Hexagon nut		
22	941905	1	Spring washer		
23	955781	1	Hexagon nut		
24	941906	1	Spring washer		
25	808175	1	Lamp socket		
26	182059		Bulb		
27	967583	1	Retainer		
28	829714	1	Sealing ring		
29	838455	1	Retainer		
30	838457	1	Symbol strip		
31		X	cables and terminals		

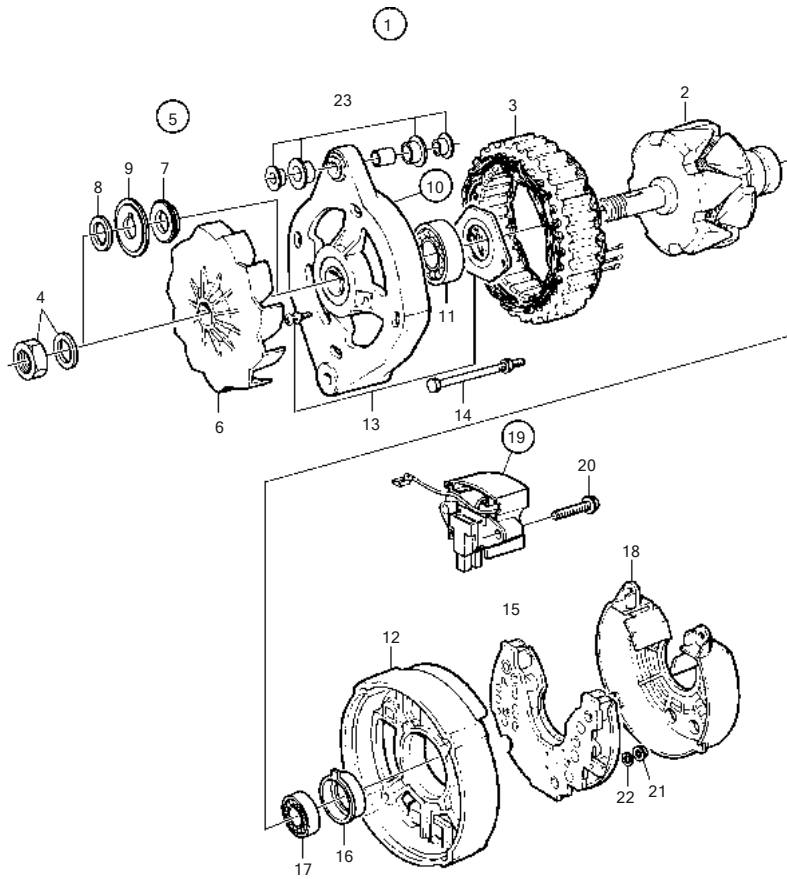
AD31L-A, AD31P-A, AD41L-A, AD41P-A, D41L-A, TAMD31L-A, TAMD31M-A,  
 TAMD31P-A, TAMD31S-A, TAMD41H-A, TAMD41H-B, TAMD41P-A,  
 TAMD41L-A, TAMD41M-A, TMD31L-A, TMD41L-A



AD31L-A, AD31P-A, AD41L-A, AD41P-A, D41L-A, TAMD31L-A, TAMD31M-A, TAMD31P-A, TAMD31S-A, TAMD41H-A, TAMD41H-B, TAMD41P-A, TAMD41L-A, TAMD41M-A, TMD31L-A, TMD41L-A

REF	PART NO.	QTY	DESCRIPTION	SEE SEC.	NOTES
1	(3583368)	1	Alternator kit		Fits engines with damper thickness TH=35mm and TH=41mm., Obsolete part
2	849748	1	• Alternator		28V, 100A, Obsolete part
	3803499	1	• Alternator, exch, exch		28V, 100A, Obsolete part
			• •		
			•	596	
3	861123	1	• Pulley		
4	3582730	1	• Bracket		
5	968278	2	• Stud		
6	971098	2	• Flange lock nut		
7	860868	1	• Bracket		
8	859574	2	• • Bushing		
9		1	• • Sleeve		
10	970988	1	• Hexagon screw		
11	955897	2	• Washer		
12	971099	1	• Flange lock nut		
13	3582712	1	• Tensioning screw		
14		1	• • Rod		
15	3036796	1	• • Tension block		
16	3036797	1	• • Collet		
17		1	• • Bushing		
18	948211	1	• • Cable tie		
19	970963	1	• Hexagon screw		
20	976945	1	• Washer		
21	971098	1	• Flange lock nut		
22	946752	1	• Flange screw		
23	960143	2	• Washer		
24	971098	1	• Flange lock nut		
25	861123	1	• Pulley		Fits engines with damper thickness TH=35mm and TH=41mm.
26	968842	6	• Flange screw		
27	860870	1	• Spacer		
28	966391	1	• V-belt		
29	945544	1	• Washer		Only used for rubber element with M16 bolt.
30		1	Absorber		Alt. see group 21
31		1	Pulley		See group 21
32		4	Screw		See group 21
33		X	Rubber element		See group 21
34		X	Nut		See group 21
35		X	Washer		See group 21
36		X	Spring washer		See group 21
37		X	Nut		See group 21

AD31L-A, AD31P-A, AD41L-A, AD41P-A, D41L-A, TAMD31L-A, TAMD31M-A,  
 TAMD31P-A, TAMD31S-A, TAMD41H-A, TAMD41H-B, TAMD41P-A,  
 TAMD41L-A, TAMD41M-A, TMD31L-A, TMD41L-A

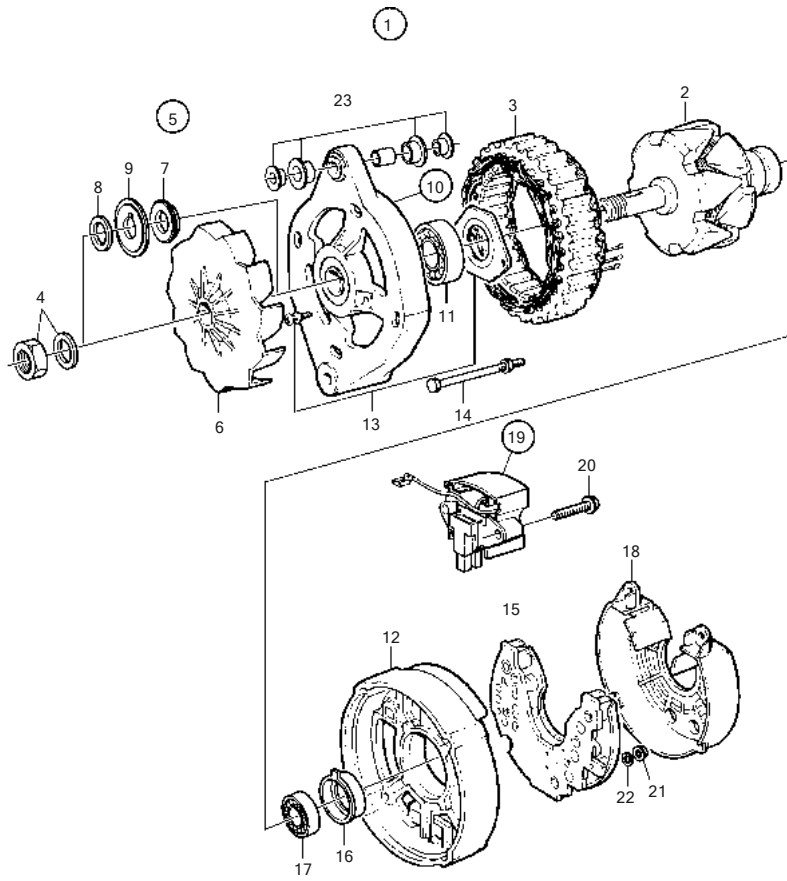


23096

AD31L-A, AD31P-A, AD41L-A, AD41P-A, D41L-A, TAM31L-A, TAM31M-A, TAM31P-A, TAM31S-A, TAM41H-A, TAM41H-B, TAM41P-A, TAM41L-A, TAM41M-A, TMD31L-A, TMD41L-A

REF	PART NO.	QTY	DESCRIPTION	NOTES
1	872926	1	Alternator	14V 50A
2		1	• Rotor	
3	(859421)	1	• Stator	Obsolete part
4	6212688	1	• Mounting kit	
5	(860281)	1	• Fan kit	Obsolete part
6		1	• • Fan	
7	862897	1	• • Spacer	
8	860284	1	• • Spacer	
9	860283	1	• • Washer	
10		1	• End plate	
11	860432	1	• • Ball bearing	
12		1	• End plate	
13	(840625)	1	• Mounting kit	Obsolete part
14		1	• Screw kit	
15	(1698689)	1	• Diode bridge	Obsolete part
16	(873241)	1	• Bearing carrier	Obsolete part
17	(873239)	1	• Ball bearing	Obsolete part
18	873240	1	• Protecting casing	
19	872720	1	• Governor	
20		2	• • Screw	
21	955779	1	• Hexagon nut	M4, w
	965483	2	• Flange nut	M5, D+, B-
	945407	1	• Flange nut	M6, b+
22	980689	1	• Washer	W
23	840634	1	• Guide	

AD31L-A, AD31P-A, AD41L-A, AD41P-A, D41L-A, TAM31L-A, TAM31M-A,  
 TAM31P-A, TAM31S-A, TAM41H-A, TAM41H-B, TAM41P-A,  
 TAM41L-A, TAM41M-A, TMD31L-A, TMD41L-A

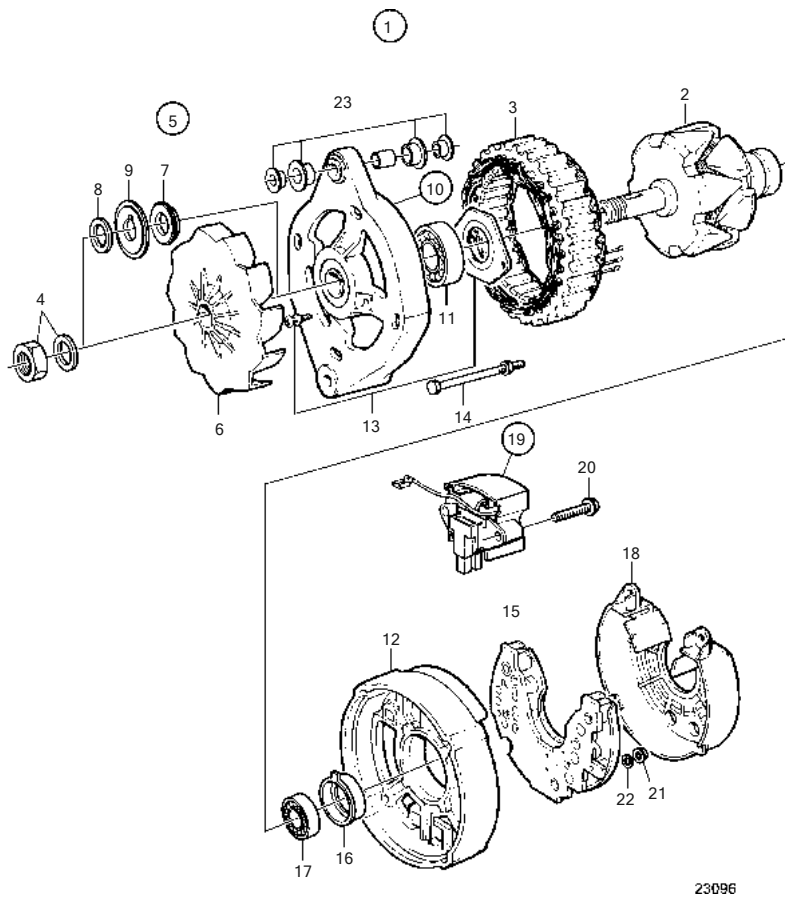


23096

AD31L-A, AD31P-A, AD41L-A, AD41P-A, D41L-A, TAMD31L-A, TAMD31M-A, TAMD31P-A, TAMD31S-A, TAMD41H-A, TAMD41H-B, TAMD41P-A, TAMD41L-A, TAMD41M-A, TMD31L-A, TMD41L-A

REF	PART NO.	QTY	DESCRIPTION	NOTES
1	872235	1	Alternator	14V 60A
	3803260	1	Alternator, exch, exch	14V 60A
2		1	• Rotor	
3	(873237)	1	• Stator	Obsolete part
4	6212688	1	• Mounting kit	
5	(860281)	1	• Fan kit	Obsolete part
6	860282	1	• • Fan	
7	862897	1	• • Spacer	
8	860284	1	• • Spacer	
9	860283	1	• • Washer	
10		1	• End plate	
11	860432	1	• • Ball bearing	
12		1	• End plate	
13	(840625)	1	• Mounting kit	Obsolete part
14		1	• Screw kit	
15	(1698689)	1	• Diode bridge	Obsolete part
16	(873241)	1	• Bearing carrier	Obsolete part
17	(873239)	1	• Ball bearing	Obsolete part
18	873240	1	• Protecting casing	
19	872720	1	• Governor	
20		2	• • Screw	
21	955779	1	• Hexagon nut	(M4) W
	965483	2	• Flange nut	(M5) D+,B-
	945407	1	• Flange nut	(M6) B-
22	980689	1	• Washer	(For M4) W
23	840634	1	• Guide	

AD31L-A, AD31P-A, AD41L-A, AD41P-A, D41L-A, TAM31L-A, TAM31M-A,  
TAM31P-A, TAM31S-A, TAM41H-A, TAM41H-B, TAM41P-A,  
TAM41L-A, TAM41M-A, TMD31L-A, TMD41L-A



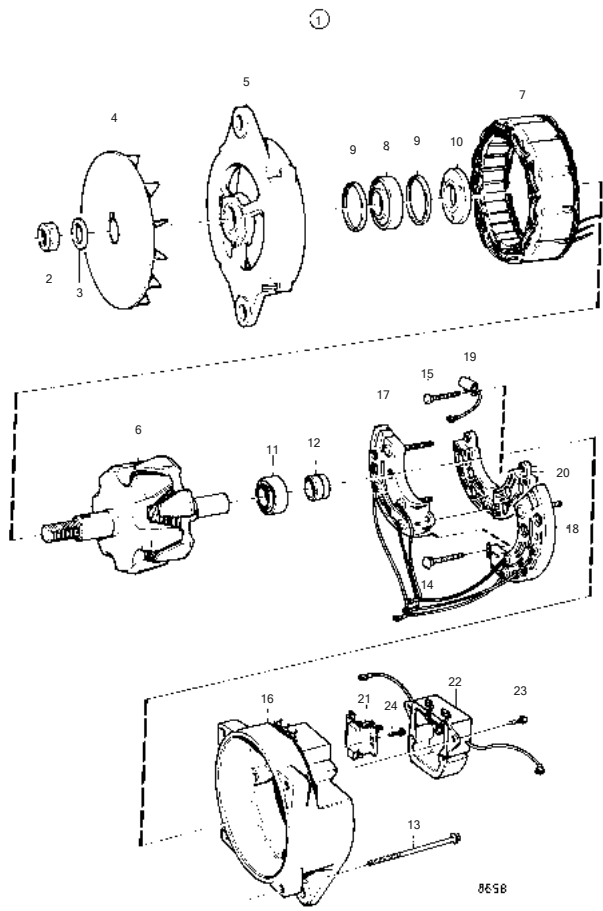
23096



AD31L-A, AD31P-A, AD41L-A, AD41P-A, D41L-A, TAMD31L-A, TAMD31M-A, TAMD31P-A, TAMD31S-A, TAMD41H-A, TAMD41H-B, TAMD41P-A, TAMD41L-A, TAMD41M-A, TMD31L-A, TMD41L-A

REF	PART NO.	QTY	DESCRIPTION	NOTES
1	872235	1	Alternator	14V 60A
	3803260	1	Alternator, exch, exch	14V 60A
2		1	• Rotor	
3	(873237)	1	• Stator	Obsolete part
4	6212688	1	• Mounting kit	
5	(860281)	1	• Fan kit	Obsolete part
6		1	• • Fan	
7	862897	1	• • Spacer	
8	860284	1	• • Spacer	
9	860283	1	• • Washer	
10		1	• End plate	
11	860432	1	• • Ball bearing	
12		1	• End plate	
13	(840625)	1	• Mounting kit	Obsolete part
14		1	• Screw kit	
15	(1698689)	1	• Diode bridge	Obsolete part
16	(873241)	1	• Bearing carrier	Obsolete part
17	(873239)	1	• Ball bearing	Obsolete part
18	873240	1	• Protecting casing	
19	872720	1	• Governor	
20		2	• • Screw	
21	955779	1	• Hexagon nut	(M4) W
	965483	2	• Flange nut	(M5) D+,B-
	945407	1	• Flange nut	(M6) B-
22	980689	1	• Washer	(For M4) W
23	840634	1	• Guide	

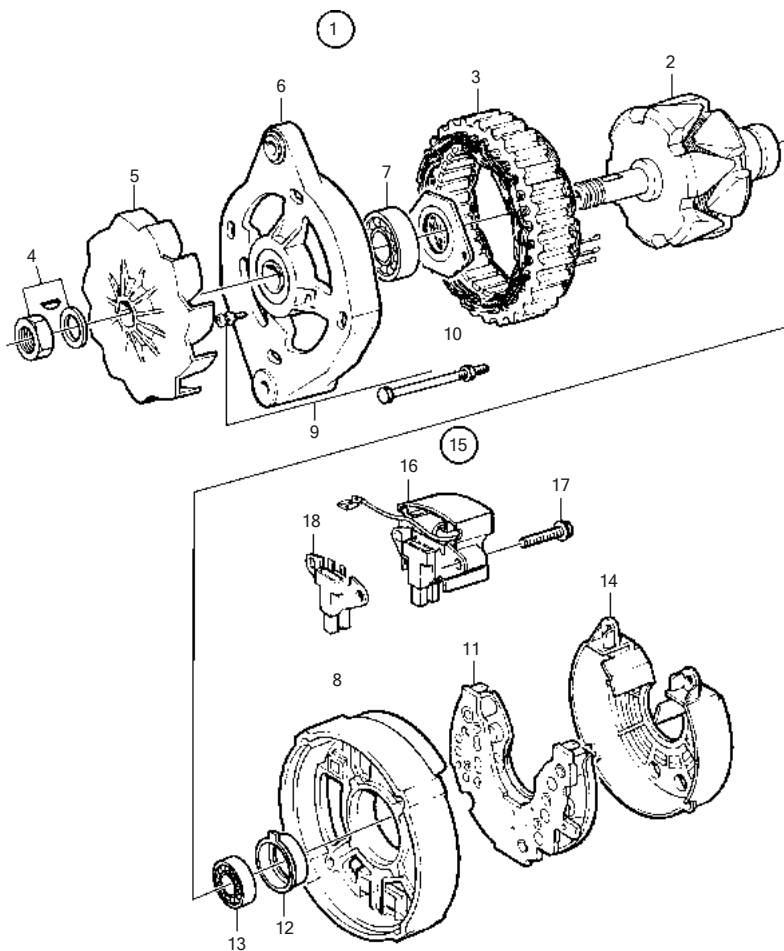
AD31L-A, AD31P-A, AD41L-A, AD41P-A, D41L-A, TAM31L-A, TAM31M-A, TAM31P-A, TAM31S-A, TAM41H-A, TAM41H-B, TAM41P-A, TAM41L-A, TAM41M-A, TMD31L-A, TMD41L-A



AD31L-A, AD31P-A, AD41L-A, AD41P-A, D41L-A, TAMD31L-A, TAMD31M-A, TAMD31P-A, TAMD31S-A, TAMD41H-A, TAMD41H-B, TAMD41P-A, TAMD41L-A, TAMD41M-A, TMD31L-A, TMD41L-A

REF	PART NO.	QTY	DESCRIPTION	NOTES
1	849747	1	Alternator	14V, 130A
	3803577	1	Alternator, exch	14V, 130A
2		1	• Nut	
3		1	• Washer	
4		1	• Fan	
5		1	• End plate	
6	(862528)	1	• Rotor	Obsolete part
7	(862529)	1	• Stator	Obsolete part
8	862509	1	• Bearing	
9	(862532)	2	• Seal	Obsolete part
10		1	• Bearing carrier	
11	(862533)	1	• Bearing	Obsolete part
12	862511	1	• Slip ring	
13		4	• Screw	
14		1	• Screw	
15		1	• Screw	
16		1	• End plate	
17	(862534)	1	• Diode	Pos. Obsolete part
18	(862535)	1	• Rectifier diode	Neg. Obsolete part
19		1	• Capacitor	
20		1	• Insulator	
21	862536	1	• Brush set	
22	862539	1	• Governor	
23		4	• Screw	
24		2	• Screw	

AD31L-A, AD31P-A, AD41L-A, AD41P-A, D41L-A, TAM31L-A, TAM31M-A,  
TAM31P-A, TAM31S-A, TAM41H-A, TAM41H-B, TAM41P-A,  
TAM41L-A, TAM41M-A, TMD31L-A, TMD41L-A

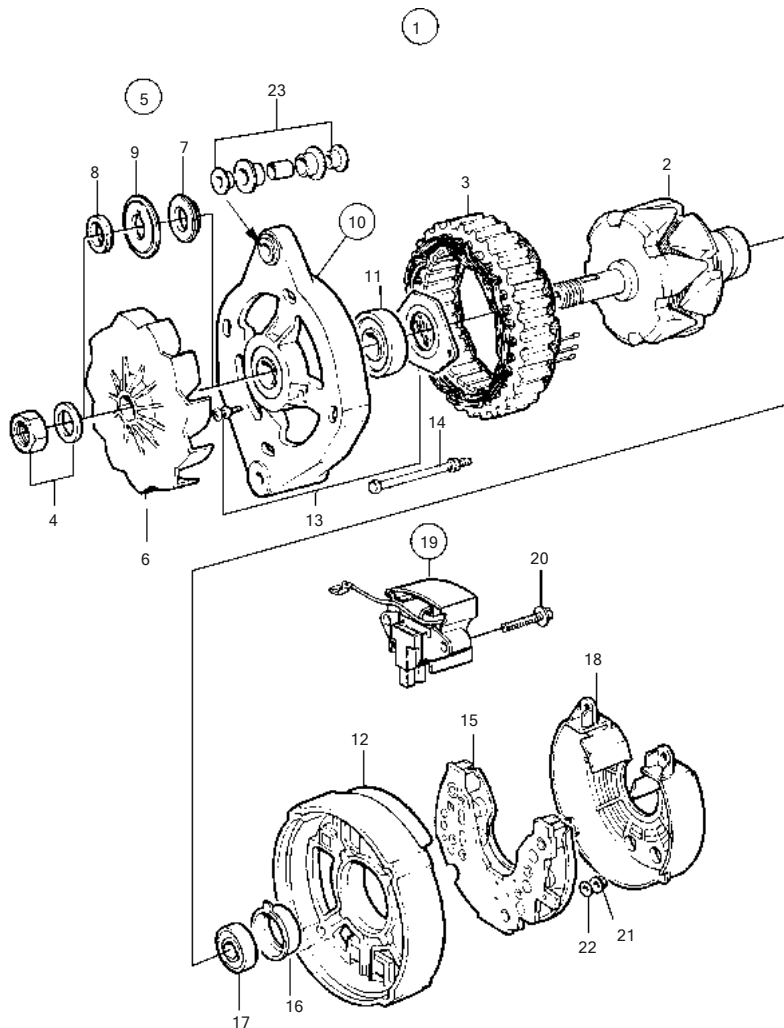


23097

AD31L-A, AD31P-A, AD41L-A, AD41P-A, D41L-A, TAMD31L-A, TAMD31M-A, TAMD31P-A, TAMD31S-A, TAMD41H-A, TAMD41H-B, TAMD41P-A, TAMD41L-A, TAMD41M-A, TMD31L-A, TMD41L-A

REF	PART NO.	QTY	DESCRIPTION	NOTES
1	849602	1	Alternator	28V 30A
2	(838912)	1	• Rotor	Obsolete part
3	(848401)	1	• Field winding	Obsolete part
4		1	• Kit	
5		1	• Fan	
6		1	• End plate	
7		1	• Ball bearing	
8		1	• End plate	
9		1	• Kit	
10		1	• Screw kit	
11	(1698689)	1	• Diode bridge	Obsolete part
12		1	• Bearing carrier	
13		1	• Ball bearing	
14	847712	1	• Protecting casing	
15	872368	1	• Regulator kit	(864006)
16		1	• • Governor	
17	859312	6	• • Screw	
18	840632	1	• • Brush retainer	

AD31L-A, AD31P-A, AD41L-A, AD41P-A, D41L-A, TAM31L-A, TAM31M-A,  
TAM31P-A, TAM31S-A, TAM41H-A, TAM41H-B, TAM41P-A,  
TAM41L-A, TAM41M-A, TMD31L-A, TMD41L-A

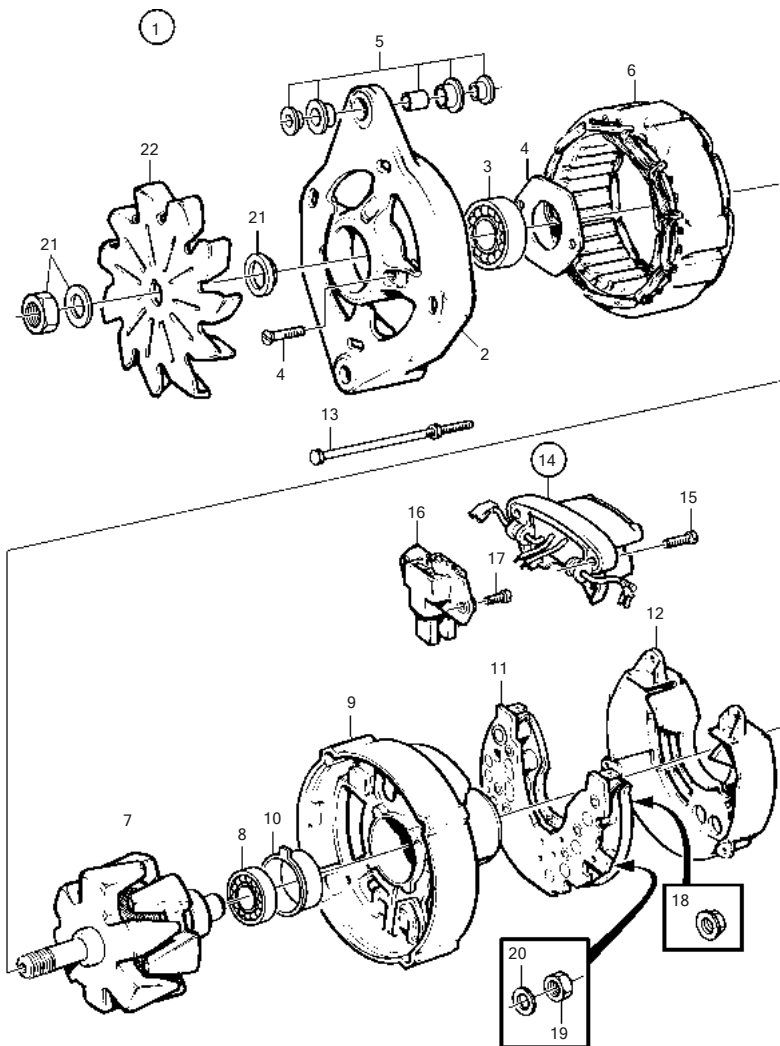


18494

AD31L-A, AD31P-A, AD41L-A, AD41P-A, D41L-A, TAMD31L-A, TAMD31M-A, TAMD31P-A, TAMD31S-A, TAMD41H-A, TAMD41H-B, TAMD41P-A, TAMD41L-A, TAMD41M-A, TMD31L-A, TMD41L-A

REF	PART NO.	QTY	DESCRIPTION	NOTES
1	872927	1	Alternator	
	3803619	1	Alternator, exch, exch	
2		1	• Rotor	
3	(848401)	1	• Field winding	Obsolete part
4	6212688	1	• Mounting kit	
5	(860281)	1	• Fan kit	Obsolete part
6		1	• • Fan	
7	862897	1	• • Spacer	
8	860284	1	• • Spacer	
9	860283	1	• • Washer	
10		1	• End plate	
11	860432	1	• • Ball bearing	
12		1	• End plate	
13	(840625)	1	• Mounting kit	Obsolete part
14		1	• Screw kit	
15	(1698689)	1	• Diode bridge	Obsolete part
16	(873241)	1	• Bearing carrier	Obsolete part
17	(873239)	1	• Ball bearing	Obsolete part
18	873240	1	• Protecting casing	
19			•	
20		2	• • Screw	
21	955779	1	• Hexagon nut	(M4) W
	965483	2	• Flange nut	(M5) D+,B-
	945407	1	• Flange nut	(M6) B-
22	980689	1	• Washer	(For M4) W
23	840634	1	• Guide	

AD31L-A, AD31P-A, AD41L-A, AD41P-A, D41L-A, TAM31L-A, TAM31M-A, TAM31P-A, TAM31S-A, TAM41H-A, TAM41H-B, TAM41P-A, TAM41L-A, TAM41M-A, TMD31L-A, TMD41L-A



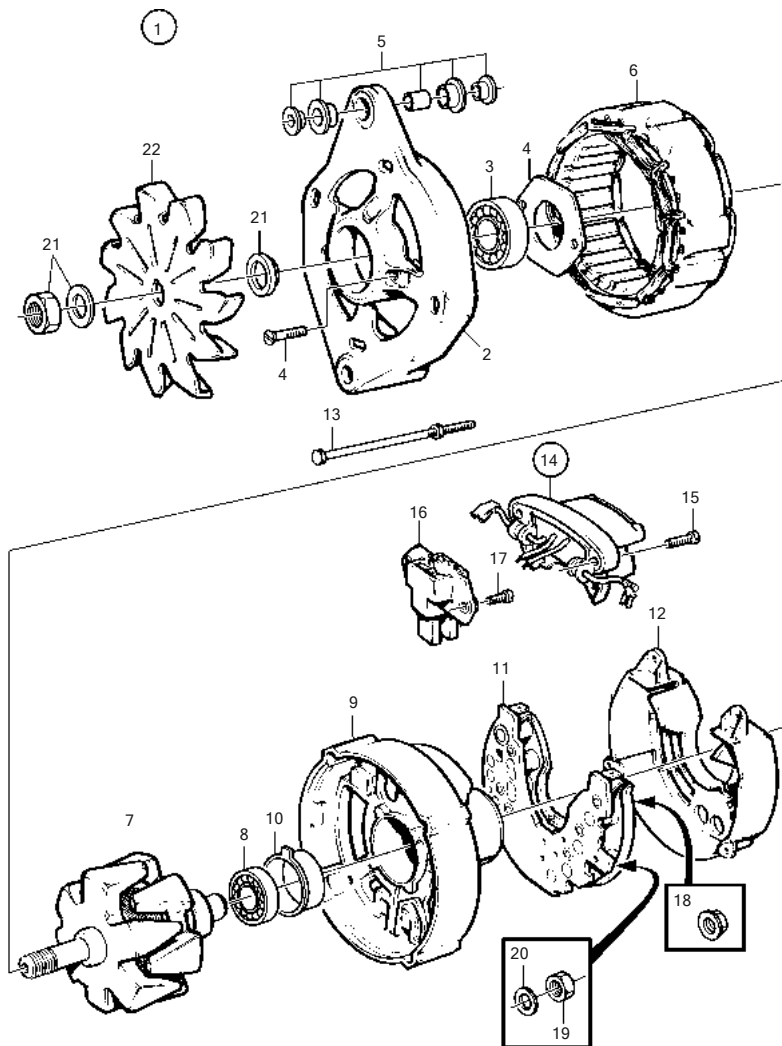
23098



AD31L-A, AD31P-A, AD41L-A, AD41P-A, D41L-A, TAMD31L-A, TAMD31M-A, TAMD31P-A, TAMD31S-A, TAMD41H-A, TAMD41H-B, TAMD41P-A, TAMD41L-A, TAMD41M-A, TMD31L-A, TMD41L-A

REF	PART NO.	QTY	DESCRIPTION	NOTES
1	872021	1	Alternator	28V 60A, repl by 873757
2		1	• Housing	
3	847708	1	• Ball bearing	(864350)
4	847709	1	• Bearing carrier	
5	840634	1	• Guide	
6	(864346)	1	• Stator	Obsolete part
7	(864347)	1	• Rotor	Obsolete part
8	864351	1	• Ball bearing	
9		1	• Housing	
10	(840629)	1	• Bearing race	Obsolete part
11	(1698689)	1	• Diode bridge	Obsolete part
12	847712	1	• Protecting casing	
13	847710	1	• Screw kit	
14	872368	1	• Regulator kit, with brush holder	
15	859312	4	• • Screw	
16	840632	1	• • Brush retainer	
17	859312	2	• • • Screw	
18	965483	2	• Flange nut	M5, D+, B-
	945407	1	• Flange nut	M6, b+
19	955779	1	• Hexagon nut	M4, w
20	941904	1	• Spring washer	For M4, W
21	847706	1	• Nut set	
22	(847707)	1	• Fan	Obsolete part

AD31L-A, AD31P-A, AD41L-A, AD41P-A, D41L-A, TAM31L-A, TAM31M-A, TAM31P-A, TAM31S-A, TAM41H-A, TAM41H-B, TAM41P-A, TAM41L-A, TAM41M-A, TMD31L-A, TMD41L-A

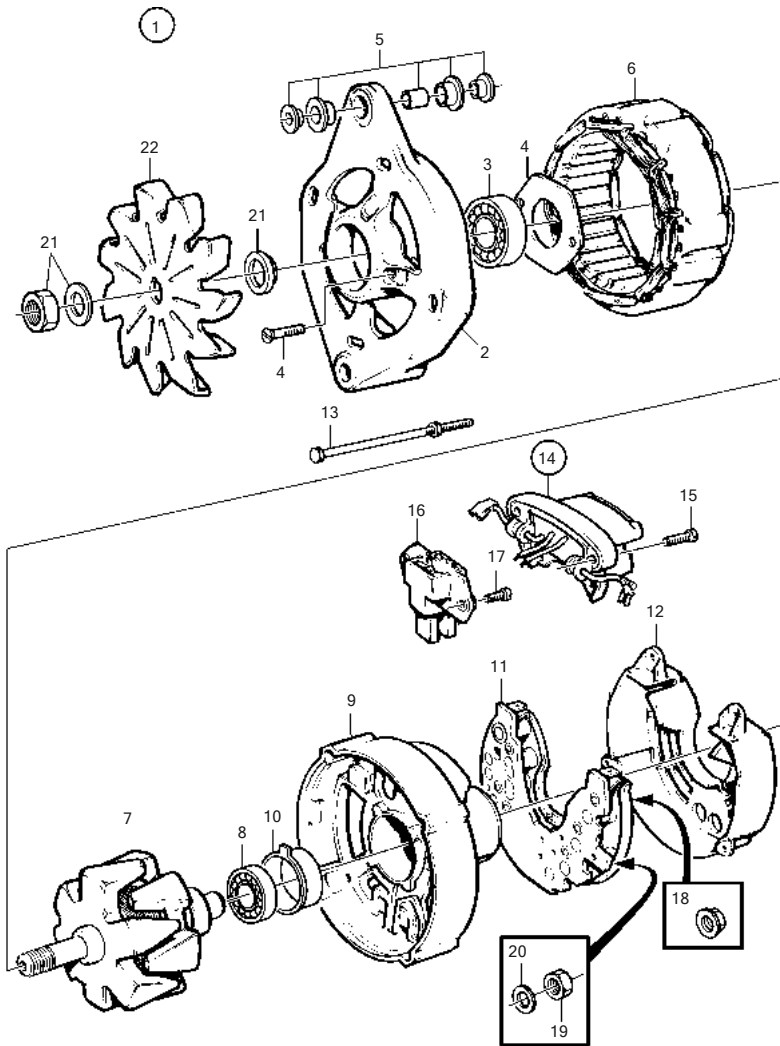


23098

AD31L-A, AD31P-A, AD41L-A, AD41P-A, D41L-A, TAMD31L-A, TAMD31M-A, TAMD31P-A, TAMD31S-A, TAMD41H-A, TAMD41H-B, TAMD41P-A, TAMD41L-A, TAMD41M-A, TMD31L-A, TMD41L-A

REF	PART NO.	QTY	DESCRIPTION	NOTES
1	873757	1	Alternator	28V 60A repl by 873771
2		1	• Housing	
3	847708	1	• Ball bearing	(864350)
4	847709	1	• Bearing carrier	
5	840634	1	• Guide	
6	(864346)	1	• Stator	Obsolete part
7	(864347)	1	• Rotor	Obsolete part
8	864351	1	• Ball bearing	
9		1	• Housing	
10	(840629)	1	• Bearing race	Obsolete part
11	(1698689)	1	• Diode bridge	Obsolete part
12	847712	1	• Protecting casing	
13	847710	1	• Screw kit	
14	872368	1	• Regulator kit, with brush holder	
15	859312	4	• • Screw	
16	840632	1	• • Brush retainer	
17	859312	2	• • • Screw	
18	965483	2	• Flange nut	M5, D+, B-
	945407	1	• Flange nut	M6, b+
19	955779	1	• Hexagon nut	M4, w
20	941904	1	• Spring washer	For M4, W
21	847706	1	• Nut set	
22	(847707)	1	• Fan	Obsolete part

AD31L-A, AD31P-A, AD41L-A, AD41P-A, D41L-A, TAM31L-A, TAM31M-A,  
 TAM31P-A, TAM31S-A, TAM41H-A, TAM41H-B, TAM41P-A,  
 TAM41L-A, TAM41M-A, TMD31L-A, TMD41L-A

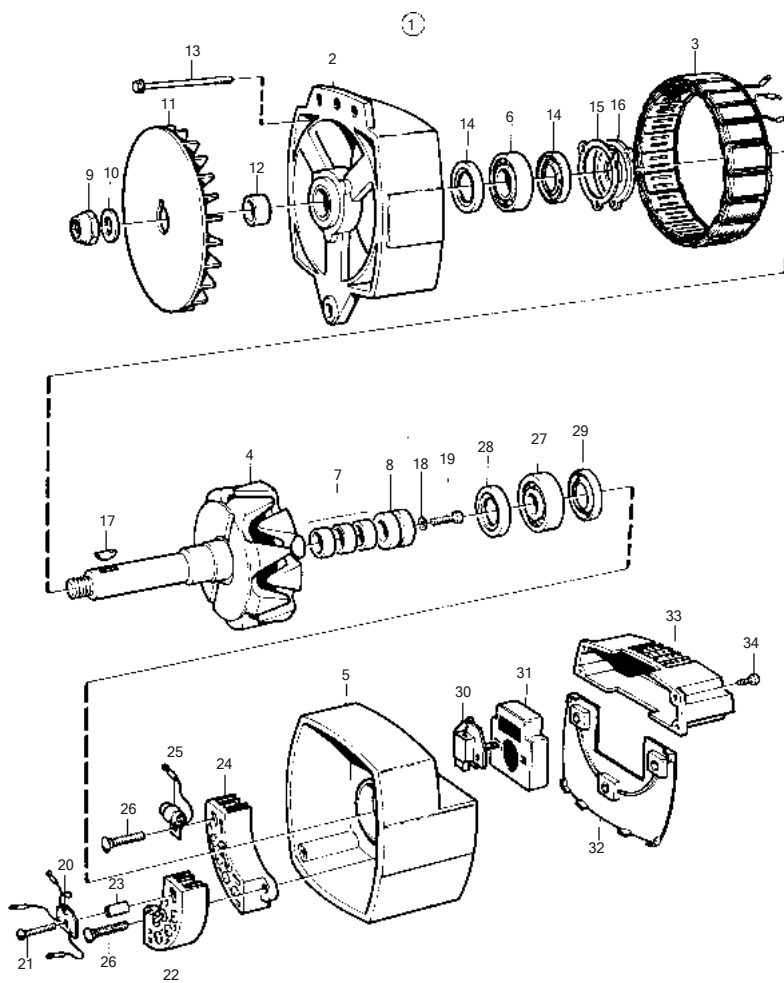


23098

AD31L-A, AD31P-A, AD41L-A, AD41P-A, D41L-A, TAMD31L-A, TAMD31M-A, TAMD31P-A, TAMD31S-A, TAMD41H-A, TAMD41H-B, TAMD41P-A, TAMD41L-A, TAMD41M-A, TMD31L-A, TMD41L-A

REF	PART NO.	QTY	DESCRIPTION	NOTES
1	873771	1	Alternator	28V 60A
	3803443	1	Alternator, exch, exch	28V 60A
2		1	• Housing	
3	847708	1	• Ball bearing	(864350)
6	(864346)	1	• Stator	Obsolete part
7	(864347)	1	• Rotor	Obsolete part
8	864351	1	• Ball bearing	
9		1	• Housing	
10	(840629)	1	• Bearing race	Obsolete part
11	(1698689)	1	• Diode bridge	Obsolete part
12	847712	1	• Protecting casing	
13	847710	1	• Screw kit	
14	872368	1	• Regulator kit, with brush holder	
15	859312	4	• • Screw	
16	840632	1	• • Brush retainer	
17	859312	2	• • • Screw	
18	965483	2	• Flange nut	M5, D+, B-
	945407	1	• Flange nut	M6, b+
19	955779	1	• Hexagon nut	M4, w
20	941904	1	• Spring washer	For M4, W
21	847706	1	• Nut set	
22	(847707)	1	• Fan	Obsolete part

AD31L-A, AD31P-A, AD41L-A, AD41P-A, D41L-A, TAMD31L-A, TAMD31M-A, TAMD31P-A, TAMD31S-A, TAMD41H-A, TAMD41H-B, TAMD41P-A, TAMD41L-A, TAMD41M-A, TMD31L-A, TMD41L-A

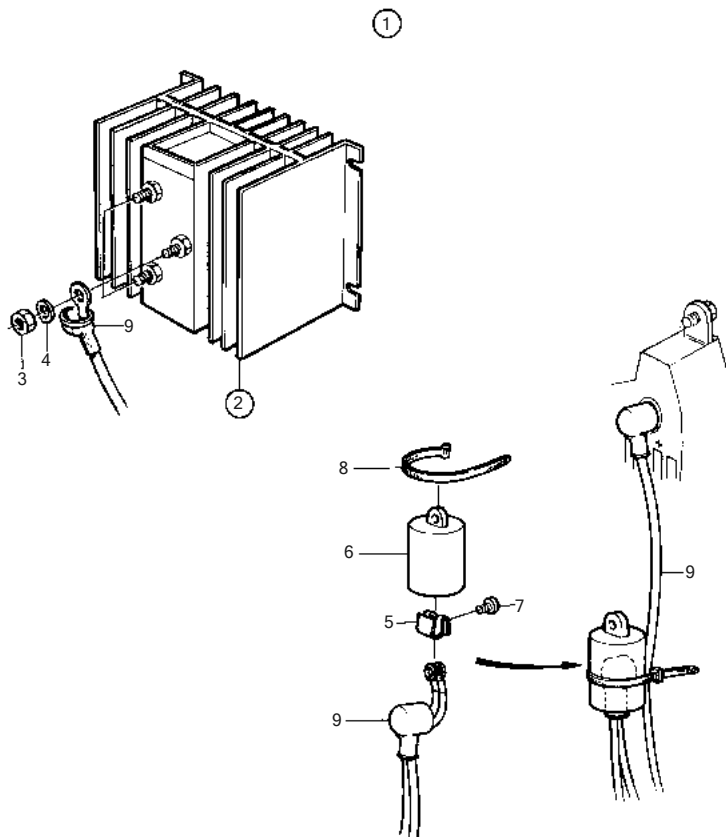


8659

AD31L-A, AD31P-A, AD41L-A, AD41P-A, D41L-A, TAMD31L-A, TAMD31M-A, TAMD31P-A, TAMD31S-A, TAMD41H-A, TAMD41H-B, TAMD41P-A, TAMD41L-A, TAMD41M-A, TMD31L-A, TMD41L-A

REF	PART NO.	QTY	DESCRIPTION	NOTES
1	849748	1	Alternator	For 24 voltage electric system., 28V, 100A, Obsolete part
	3803499	1	Alternator, exch, exch	For 24 voltage electric system., 28V, 100A, Obsolete part
2		1	• End plate	
3	(862506)	1	• Stator	Obsolete part
4	(862507)	1	• Rotor	Obsolete part
5		1	• End plate	
6	862509	1	• Bearing	
7	862510	1	• Bearing	
8	862511	1	• Slip ring	
9		1	• Nut	
10		1	• Washer	
11		1	• Fan	
12		1	• Spacer	
13		4	• Screw	
14	(862520)	1	• Sealing	Obsolete part
15	862521	1	• Retainer	
16		1	• Retainer	
17		1	• Wedge	
18		2	• Washer	
19		1	• Screw	
20	(862512)	1	• Diode	Obsolete part
21		1	• Screw	
22	(862513)	1	• Rectifier plate	Pos, Obsolete part
23		1	• Sleeve	
24	862514	1	• Rectifier plate	Neg
25		1	• Kit	
26		2	• Screw	
27	862516	1	• Bearing	
28	(862524)	1	• Seal	Obsolete part
29	(862524)	1	• Seal	Obsolete part
30	862517	1	• Brush set	
31		1	• Cover	
32		1	• Insulator	
33	862526	1	• Governor	
34		2	• Screw	

AD31L-A, AD31P-A, AD41L-A, AD41P-A, D41L-A, TAMD31L-A, TAMD31M-A,  
TAMD31P-A, TAMD31S-A, TAMD41H-A, TAMD41H-B, TAMD41P-A,  
TAMD41L-A, TAMD41M-A, TMD31L-A, TMD41L-A



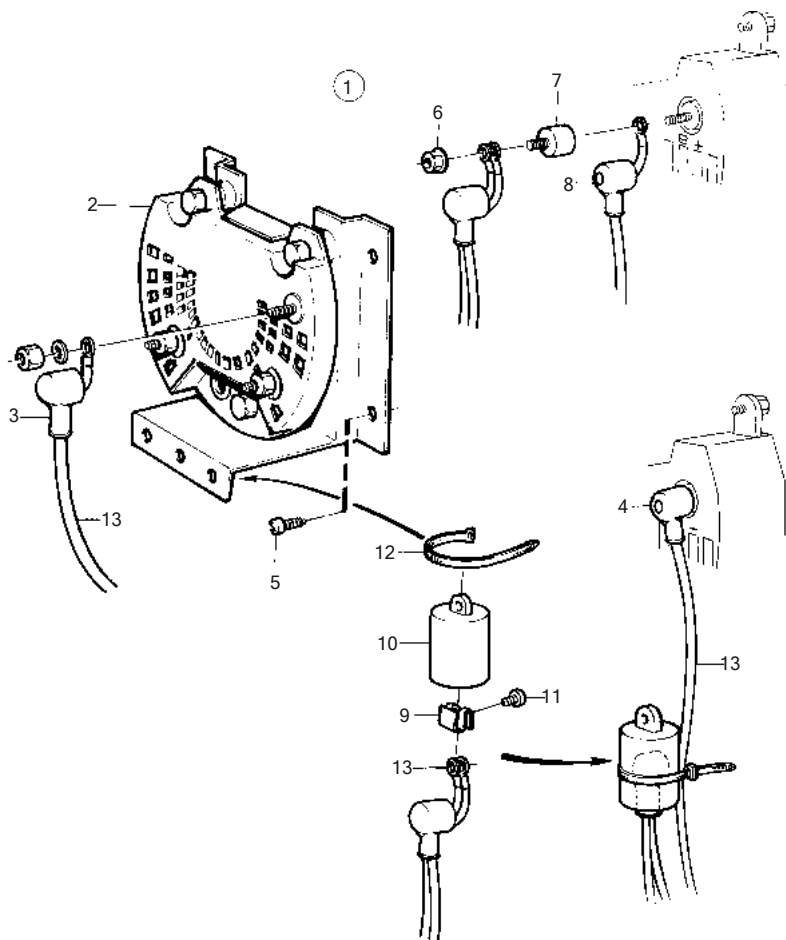
11570



AD31L-A, AD31P-A, AD41L-A, AD41P-A, D41L-A, TAMD31L-A, TAMD31M-A, TAMD31P-A, TAMD31S-A, TAMD41H-A, TAMD41H-B, TAMD41P-A, TAMD41L-A, TAMD41M-A, TMD31L-A, TMD41L-A

REF	PART NO.	QTY	DESCRIPTION	SEE SEC.	NOTES
1	873120	1	Junction block		For charging of 2 batteries., For alternators 12-28V up to 60A.
			• Bulletin 52-07	52-07-EN	Charging Distributor
			• Bulletin 52-11	52-11-EN	Charging Distributor
2	872928	1	• Junction block		
3	955846	3	• Hexagon nut		
4	941906	3	• Spring washer		
5	859492	1	• Spring nut		
6	859493	1	• Protecting casing		
7	955126	1	• Cross recessed screw		
8	948211	1	• Cable tie		
9		X	electrical materials	1963	

AD31L-A, AD31P-A, AD41L-A, AD41P-A, D41L-A, TAMD31L-A, TAMD31M-A,  
 TAMD31P-A, TAMD31S-A, TAMD41H-A, TAMD41H-B, TAMD41P-A,  
 TAMD41L-A, TAMD41M-A, TMD31L-A, TMD41L-A

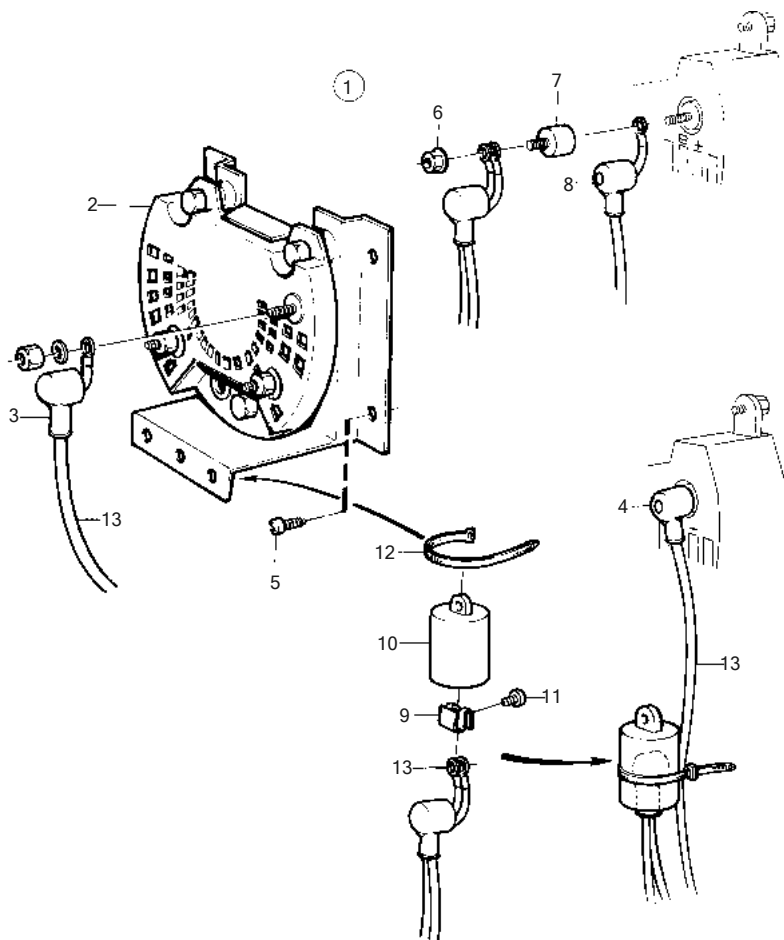


9490

AD31L-A, AD31P-A, AD41L-A, AD41P-A, D41L-A, TAMD31L-A, TAMD31M-A, TAMD31P-A, TAMD31S-A, TAMD41H-A, TAMD41H-B, TAMD41P-A, TAMD41L-A, TAMD41M-A, TMD31L-A, TMD41L-A

REF	PART NO.	QTY	DESCRIPTION	SEE SEC.	NOTES
1	858841	1	Junction block		For charging of 2 batteries., For alternator 12V 50A., Repl by 859499
2	(858842)	1	• Junction block		Obsolete part
3	842150	3	• Protective cap		
5	828647	4	• Screw		Not included in later version of kit 858841.
6	945407	2	• Flange nut		Not included in later version of kit 858841.
7	862330	1	• Rubber cushion		
8	(862345)	1	• Protective cap		Obsolete part
12	948211	1	• Cable tie		
13		X	• electrical materials	1963	

AD31L-A, AD31P-A, AD41L-A, AD41P-A, D41L-A, TAMD31L-A, TAMD31M-A,  
 TAMD31P-A, TAMD31S-A, TAMD41H-A, TAMD41H-B, TAMD41P-A,  
 TAMD41L-A, TAMD41M-A, TMD31L-A, TMD41L-A

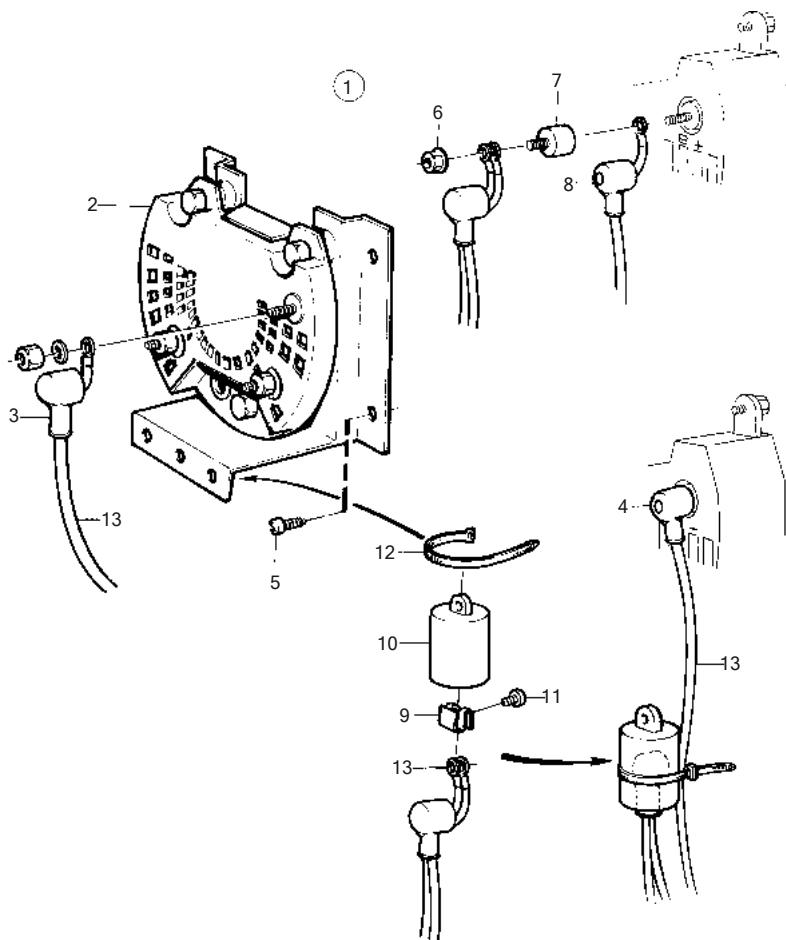


9490

AD31L-A, AD31P-A, AD41L-A, AD41P-A, D41L-A, TAMD31L-A, TAMD31M-A, TAMD31P-A, TAMD31S-A, TAMD41H-A, TAMD41H-B, TAMD41P-A, TAMD41L-A, TAMD41M-A, TMD31L-A, TMD41L-A

REF	PART NO.	QTY	DESCRIPTION	SEE SEC.	NOTES
1	859499	1	Junction block		For charging of 2 batteries., For alternator 12V 50A., Replaced by 873120
2	(858842)	1	• Junction block		Obsolete part
3	842150	3	• Protective cap		
4	842150	1	• Protective cap		
9	859492	1	• Spring nut		
10	859493	1	• Protecting casing		
11	955126	1	• Cross recessed screw		
12	948211	1	• Cable tie		
13		X	• electrical materials	1963	

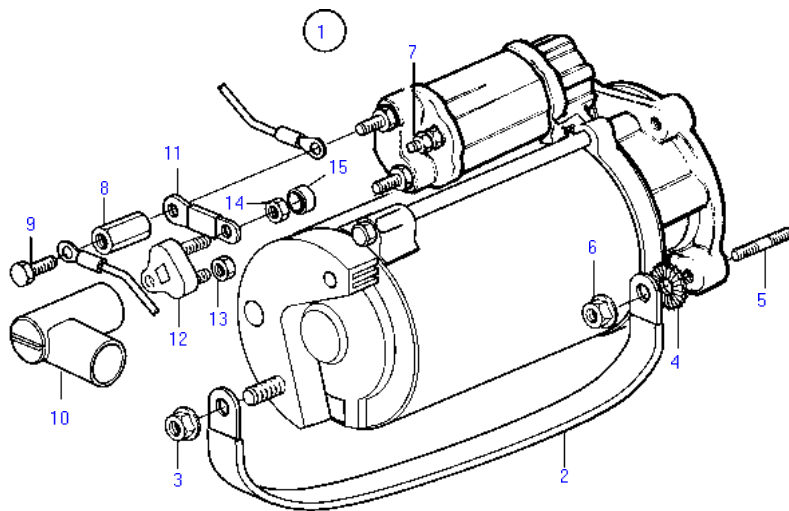
AD31L-A, AD31P-A, AD41L-A, AD41P-A, D41L-A, TAM31L-A, TAM31M-A,  
 TAM31P-A, TAM31S-A, TAM41H-A, TAM41H-B, TAM41P-A,  
 TAM41L-A, TAM41M-A, TMD31L-A, TMD41L-A



9490



AD31L-A, AD31P-A



23095



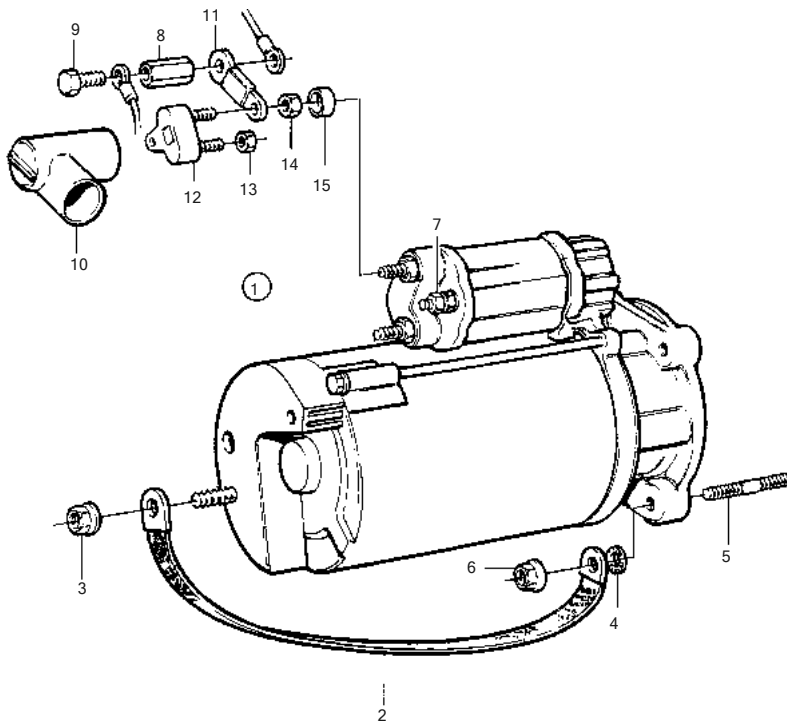
**Starter Motor**

**30**

AD31L-A, AD31P-A

REF	PART NO.	QTY	DESCRIPTION	SEE SEC.	NOTES
1	859252	1	Starter motor		Repl by 3581774
			.	583	
	3581774	1	Starter motor		
	3803386	1	Starter motor, exch, exch		
			.	4930	
2	968048	1	Chassis ground cable		
3	945408	1	Flange nut		
4	945987	1	Toothed washer		
5	953067	2	Stud		L=45mm
	953069	1	Stud		L=50mm
6	971095	3	Flange nut		
7	965483	1	Flange nut		
8	855314	1	Spacer nut		
9	947107	1	Flange screw		
10	855798	1	Protecting sleeve		
11	860212	1	Current bar		
12	3819905	1	Fuse		(856355)
13	945407	1	Flange nut		
14	853573	1	Hexagon nut		
15	853572	1	Protective cap		

AD41L-A, AD41P-A, D41L-A



17228

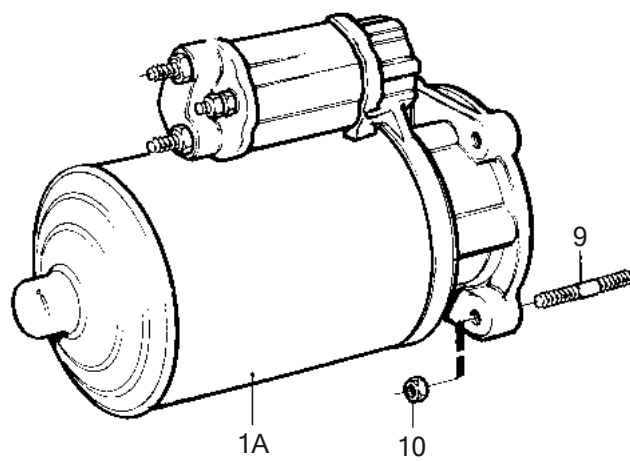
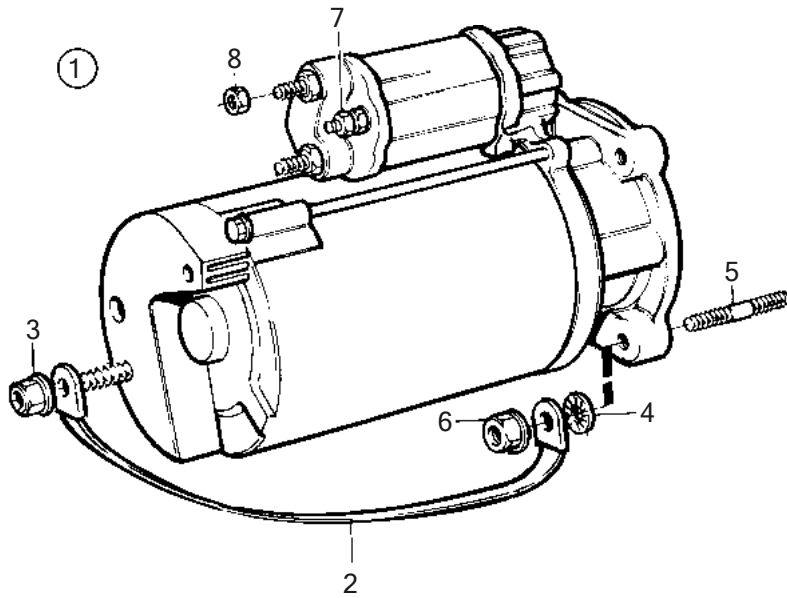
**Starter Motor**

**30**

AD41L-A, AD41P-A, D41L-A

REF	PART NO.	QTY	DESCRIPTION	SEE SEC.	NOTES
1	859252	1	Starter motor		Repl by 3581774
			.	583	
	3581774	1	Starter motor		
	3803386	1	Starter motor, exch, exch		
			.	4930	
2	968048	1	Chassis ground cable		
3	945408	1	Flange nut		
4	945987	1	Toothed washer		
5	953067	2	Stud		L=45mm
	953069	1	Stud		L=50mm
6	971095	3	Flange nut		
7	965483	1	Flange nut		
8	855314	1	Spacer nut		
9	947107	1	Flange screw		
10	855798	1	Protecting sleeve		
11	860212	1	Current bar		Alt
12	3819905	1	Fuse		Alt
13	945407	1	Flange nut		
14	853573	1	Hexagon nut		
15	853572	1	Protective cap		

TAMD31L-A, TAMD31M-A, TAMD31P-A, TAMD31S-A, TAMD41H-A,  
TAMD41H-B, TAMD41P-A, TAMD41L-A, TAMD41M-A, TMD31L-A, TMD41L-A



11119

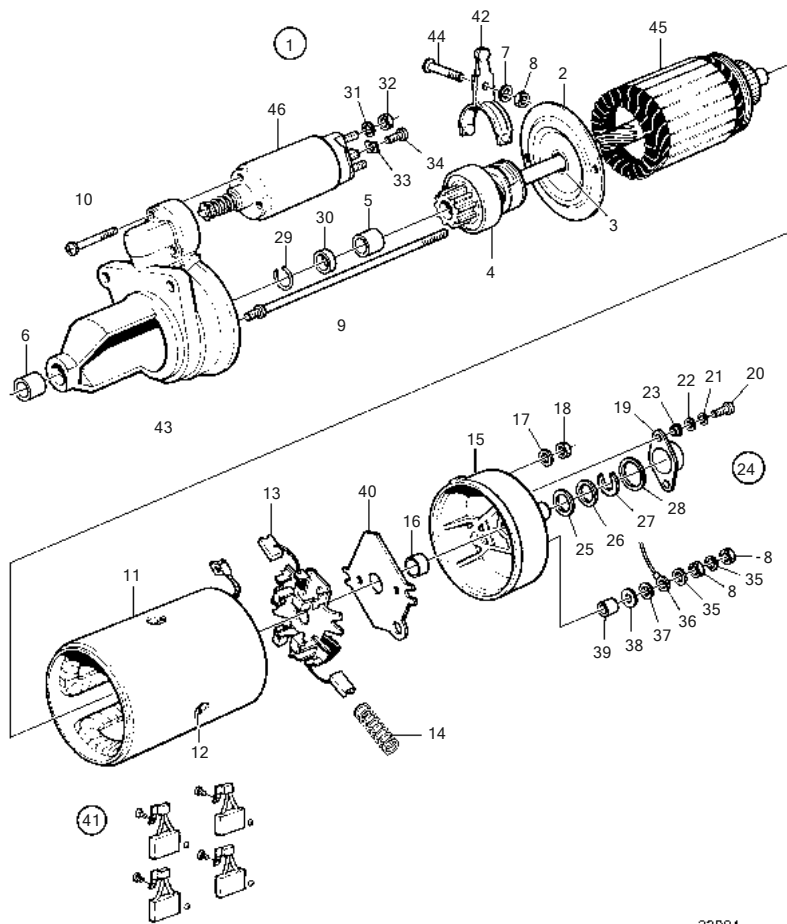
**Starter Motor**

**30**

TAMD31L-A, TAMD31M-A, TAMD31P-A, TAMD31S-A, TAMD41H-A, TAMD41H-B,  
TAMD41P-A, TAMD41L-A, TAMD41M-A, TMD31L-A, TMD41L-A

REF	PART NO.	QTY	DESCRIPTION	SEE SEC.	NOTES
1	859252	1	Starter motor		12V
			.		
			.	583	
	3581774	1	Starter motor		
	3803386	1	Starter motor, exch, exch		
			.		
			.	4930	
1A	838987	1	Starter motor		24V
1			.		
			.	968	
2	968048	1	Chassis ground cable		
3	945408	1	Flange nut		
4	945987	1	Toothed washer		
5	953067	2	Stud		L=45mm
	953069	1	Stud		L=50mm
6	971095	3	Flange nut		
7	965483	1	Flange nut		
8	945408	1	Flange nut		
9	953067	2	Stud		L=45mm
	953069	1	Stud		L=50mm
10	971095	3	Flange nut		

AD31L-A, AD31P-A, AD41L-A, AD41P-A, D41L-A, TAM31L-A, TAM31M-A, TAM31P-A, TAM31S-A, TAM41H-A, TAM41H-B, TAM41P-A, TAM41L-A, TAM41M-A, TMD31L-A, TMD41L-A

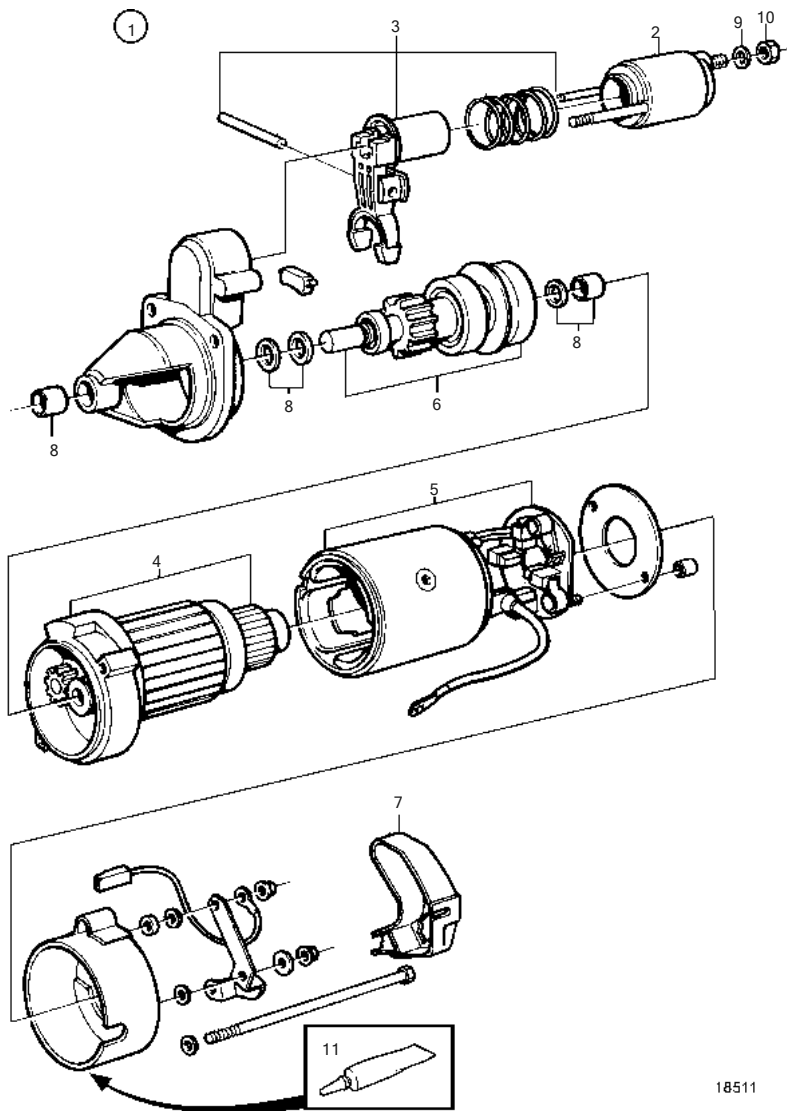


23094

**AD31L-A, AD31P-A, AD41L-A, AD41P-A, D41L-A, TAMD31L-A, TAMD31M-A, TAMD31P-A, TAMD31S-A, TAMD41H-A, TAMD41H-B, TAMD41P-A, TAMD41L-A, TAMD41M-A, TMD31L-A, TMD41L-A**

REF	PART NO.	QTY	DESCRIPTION	SEE SEC.	NOTES
1	838987	1	Starter motor		24V
2	(6210770)	1	• Bearing shield		Obsolete part
3	6644949	1	• • Bearing bushing		
4	1696543	1	• Starter pinion		
5	6210772	1	• • Bearing bushing		
6	48109	1	• Bearing bushing		
7	941907	1	• Spring washer		
8	947941	3	• Hexagon nut		
9	(6210774)	2	• Screw		Obsolete part
10	(1696544)	3	• Screw		Obsolete part
11	(6210775)	1	• Field winding		Obsolete part
12	6211936	4	• Screw		
13	858686	1	• Brush retainer		
14	6211874	4	• Spring		
15	(858687)	1	• Bearing shield		Obsolete part
16	6210777	1	• • Bearing bushing		
17	(86287)	2	• Washer		Obsolete part
18	955781	2	• Hexagon nut		
19	(858688)	1	• Cover		Obsolete part
20	969407	2	• 6 point socket screw		
21	941905	2	• Spring washer		
22	(858696)	2	• Washer		Obsolete part
23	(858695)	2	• Bushing		Obsolete part
24	829707	1	• Small parts kit		
25		1	• • Spacer		
26		1	• • Spacer		
27		1	• • Lock washer		
28		1	• • Gasket		
29		1	• • Lock ring		
30		1	• • Washer		
31		2	• Washer		
32	971080	2	• Hexagon nut		
33	(858689)	1	• Clamping brace		Obsolete part
34	956058	1	• Cross recessed screw		
35	941907	2	• Spring washer		
36		X	• electrical materials	1963	
37	955894	1	• Washer		
38	(858693)	1	• Insulating sheet		Obsolete part
39	(858692)	1	• Bushing		Obsolete part
40	(858691)	1	• Isolation plate		Obsolete part
41	6210778	1	• Brush set		
42	(1696545)	1	• Engagement lever		Obsolete part
43	(1696578)	1	• Bearing shield		Obsolete part
44	6210773	1	• Screw		
45	6210769	1	• Anchor		
46	858697	1	• Solenoid		

AD31L-A, AD31P-A, AD41L-A, AD41P-A, D41L-A, TAMD31L-A, TAMD31M-A,  
 TAMD31P-A, TAMD31S-A, TAMD41H-A, TAMD41H-B, TAMD41P-A,  
 TAMD41L-A, TAMD41M-A, TMD31L-A, TMD41L-A



18511



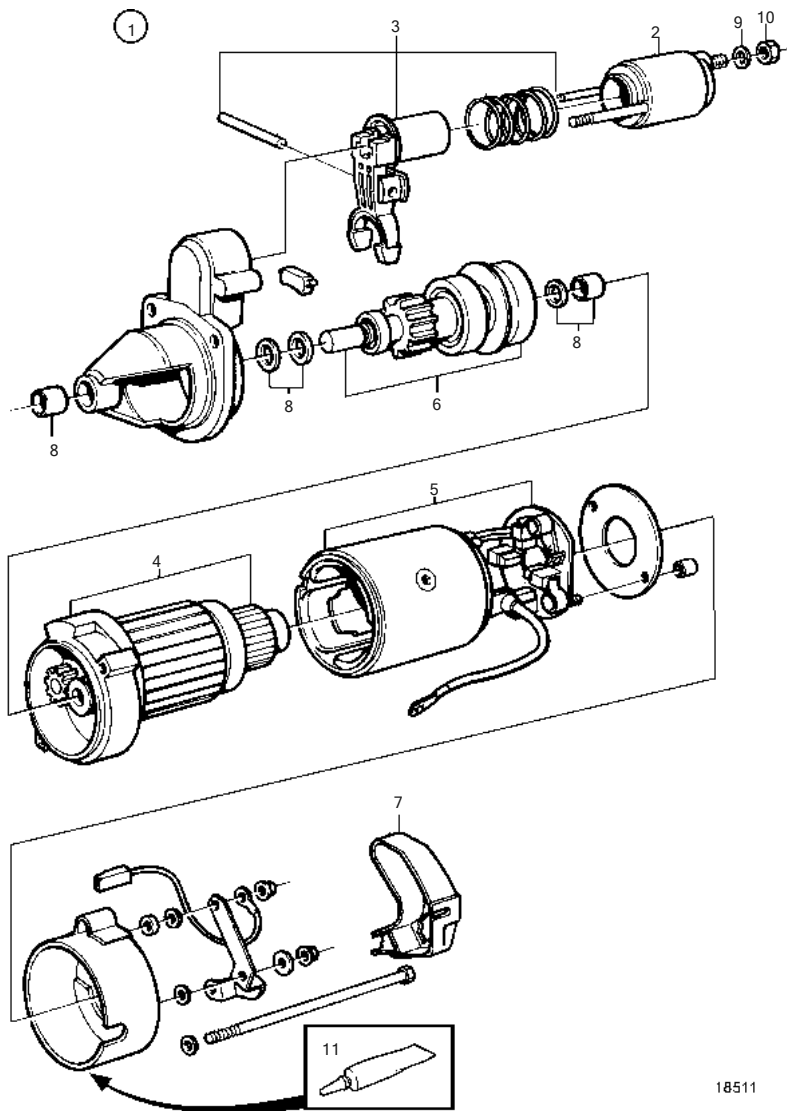
**Starter Motor, Components: 859252**

**30**

AD31L-A, AD31P-A, AD41L-A, AD41P-A, D41L-A, TAMD31L-A, TAMD31M-A, TAMD31P-A, TAMD31S-A, TAMD41H-A, TAMD41H-B, TAMD41P-A, TAMD41L-A, TAMD41M-A, TMD31L-A, TMD41L-A

REF	PART NO.	QTY	DESCRIPTION	NOTES
1	859252	1	Starter motor	2-pole., E.U=3803118
2	859618	1	• Solenoid switch	
3	859619	1	• Intermediate lever	
4	(859621)	1	• Rotor	Obsolete part
5	(859622)	1	• Field winding	Obsolete part
6	859623	1	• Starter pinion	
7	860439	1	• Cover	
8	859620	1	• Repair kit	
9	941907	1	Spring washer	
10	955782	1	Hexagon nut	
11	1161277	X	Sealant	Black, 20g
	1161231	X	Sealant	Black, 0.31L

AD31L-A, AD31P-A, AD41L-A, AD41P-A, D41L-A, TAMD31L-A, TAMD31M-A,  
 TAMD31P-A, TAMD31S-A, TAMD41H-A, TAMD41H-B, TAMD41P-A,  
 TAMD41L-A, TAMD41M-A, TMD31L-A, TMD41L-A

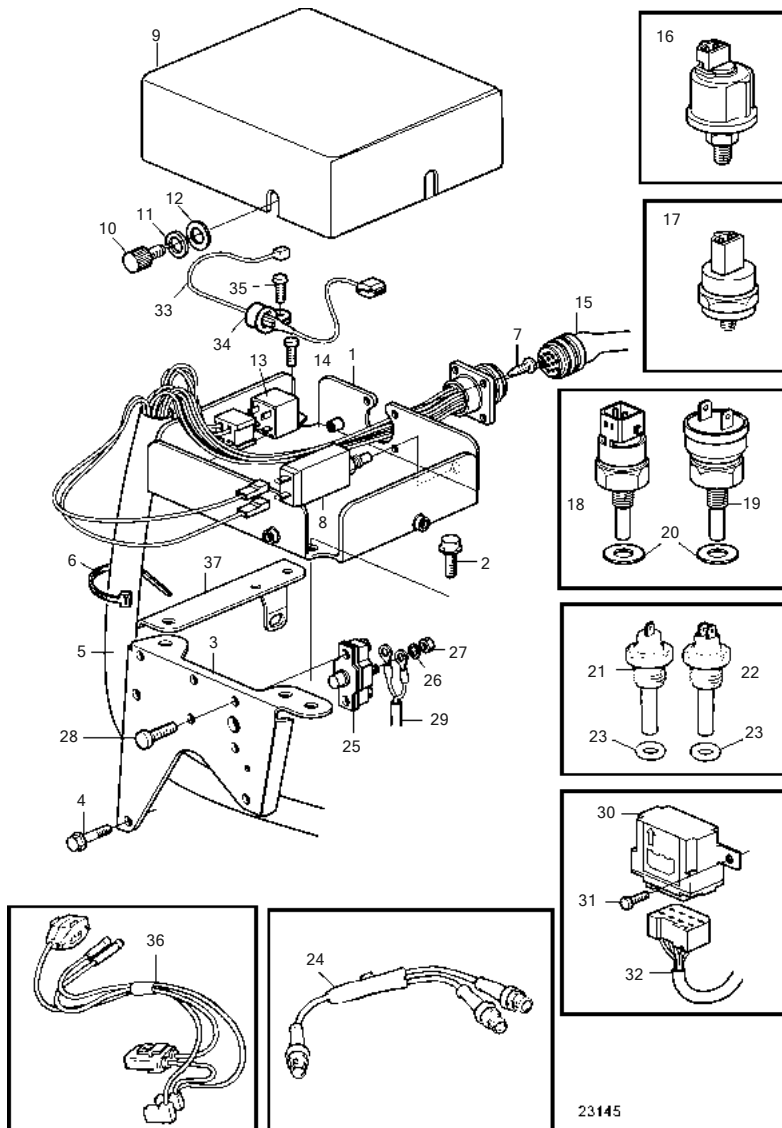


18511

AD31L-A, AD31P-A, AD41L-A, AD41P-A, D41L-A, TAMD31L-A, TAMD31M-A, TAMD31P-A, TAMD31S-A, TAMD41H-A, TAMD41H-B, TAMD41P-A, TAMD41L-A, TAMD41M-A, TMD31L-A, TMD41L-A

REF	PART NO.	QTY	DESCRIPTION	NOTES
1	3581774	1	Starter motor	2-pole., E.U=3803386
	3803386	1	Starter motor, exch, exch	2-pole., E.U=3803386
2	859618	1	• Solenoid switch	
3	859619	1	• Intermediate lever	
4	(859621)	1	• Rotor	Obsolete part
5	(859622)	1	• Field winding	Obsolete part
6	859623	1	• Starter pinion	
7	860439	1	• Cover	
8	859620	1	• Repair kit	
9	941907	1	Spring washer	
10	955782	1	Hexagon nut	
11	1161277	X	Sealant	Black, 20g
	1161231	X	Sealant	Black, 0.31L

AD31L-A, AD31P-A, TAMD31L-A, TAMD31M-A, TAMD31P-A, TAMD31S-A, TMD31L-A

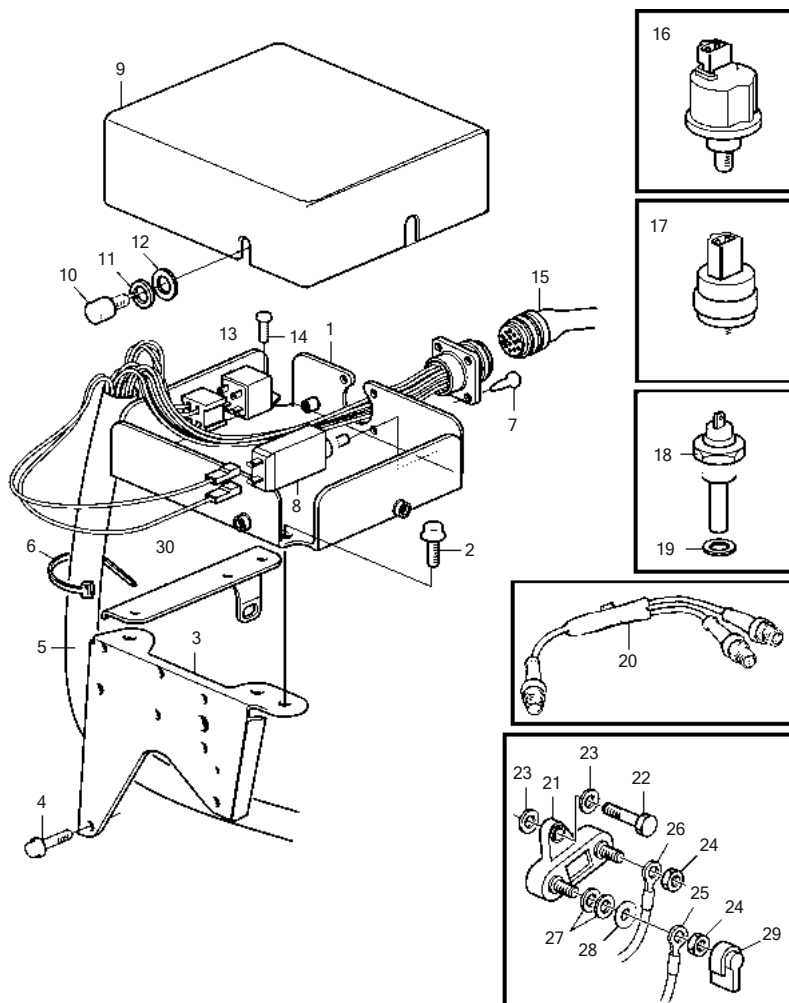


23145

AD31L-A, AD31P-A, TAMD31L-A, TAMD31M-A, TAMD31P-A, TAMD31S-A, TMD31L-A

REF	PART NO.	QTY	DESCRIPTION	SEE SEC.	NOTES
1	860417	1	Bracket		
2	948746	2	Flange screw		
3	3580668	1	Bracket		
4	946470	1	Flange screw		L=35mm
	948217	1	Flange screw		L=45mm
5	873550	1	Wiring harness		Replaced by 1pcs 873744, wiring harness, and 1pcs 873740, relay., SN-2203126467
	873744	1	Wiring harness		SN2203126468-
	873532	1	Wiring harness		Replaced by 1pcs 873745, wiring harness, and 1pcs 873740, relay., SOLAS
	873745	1	Wiring harness		SOLAS
6	948211	X	Cable tie		
7	955119	4	Cross recessed screw		
8	966689	1	Fuse		For 24V electrical system use 2pcs 966689, fuse., 24V
9	(860779)	1	Cover		Obsolete part
10	846736	3	Lock screw		
11	941904	3	Spring washer		
12	960137	3	Washer		
13	873740	1	Relay		12V, 40A
	838955	1	Relay		24V, 50A
	873611	1	Relay		24V, 20A
	1324492	1	Relay		
14	968476	X	Flange screw		
15	846648	1	Extension cable'verl		L=3.0m
	846649	1	Extension cable'verl		L=5.0m
	846650	1	Extension cable'verl		L=7.0m
16	866835	1	Sensor, oil-engine · Bulletin P-38-6-1	P-38-6-1-EN	0-10BAR Vibration Damping Kit
16	866836	1	Sensor, oil-engine		For double instruments., Alt,0-10bar
17	863169	1	Pressure monitor, oil-pressure		0,7bar
18	862250	1	Thermo monitor, coolant water temp.		24V 97°C, for 873532
19	873877	1	Thermo monitor, coolant water temp.		
20	957181	2	Gasket		
21	873066	1	Thermo monitor, coolant water temp.		1-way., 12V 97°C
	827151	1	Temperature sensor, coolant water temp.		1-way., 12V 40-120°C
	840074	1	Temperature sensor, coolant water temp.		1-way., For double instruments., Alt,12V 40-120°C
22	843325	1	Temperature sensor, coolant water temp.		2-way., 24V 120°C
23	11998	2	Gasket		
24	1140598	X	Distributing contact		Included in gasket kit, decarbonizing 276035.
25	856337	1	Automatic fuse		AD31/SX
26		2	· Washer		
27		2	· Nut		
28	3853620	2	Hexagon screw		AD31/SX
29	873603	1	Wiring harness, cables and terminals	1963	AD31/SX
30	873112	1	Position sensor		SOLAS
31	968476	2	Flange screw		
32		1	Wiring harness		
33	873828	1	Resistor		
	873717	1	Resistor		SOLAS, later prod
34	952627	1	Clamp		
35	968476	1	Flange screw		
36	873543	1	Cable kit		Cable kit 873543 is used as adapter between cable harness 873745 and thermo monitor 862250.
37	3581444	1	Bracket		

AD41L-A, AD41P-A, D41L-A

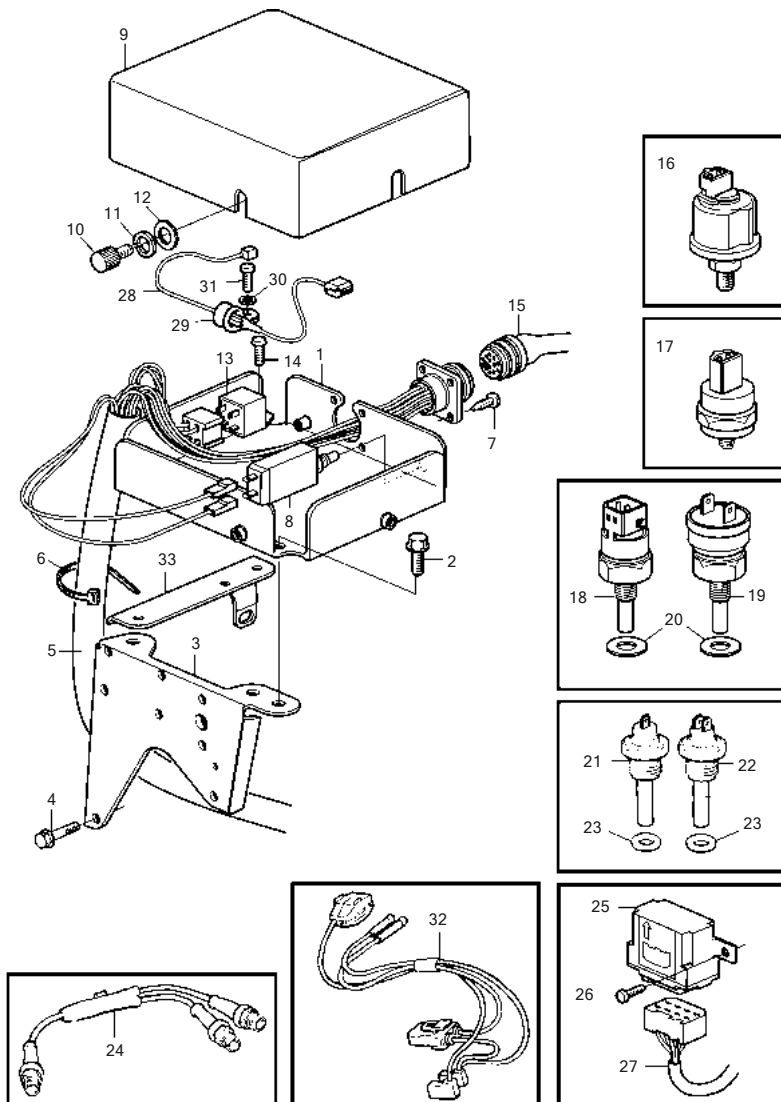


24625

AD41L-A, AD41P-A, D41L-A

REF	PART NO.	QTY	DESCRIPTION	SEE SEC.	NOTES
1	860417	1	Bracket		
2	948746	2	Flange screw		
3	3580668	1	Bracket		
4	946470	1	Flange screw		L=35mm
	948217	1	Flange screw		L=45mm
5	873550	1	Wiring harness		Replaced by 1pcs 873744, wiring harness, and 1pcs 873740, relay.
	873744	1	Wiring harness		SN2204115148-
6	948211	X	Cable tie		
7	955119	4	Cross recessed screw		
8	966689	1	Fuse		For 24V electrical system use 2pcs 966689, fuse., 24V
9	(860779)	1	Cover		Obsolete part
10	846736	3	Lock screw		
11	941904	3	Spring washer		
12	960137	3	Washer		
13	873740	1	Relay		12V, 40A
14	968476	X	Flange screw		
15	846648	1	Extension cable'verl		L=3.0m
	846649	1	Extension cable'verl		L=5.0m
	846650	1	Extension cable'verl		L=7.0m
16	866835	1	Sensor, oil-engine		0-10BAR
			· Bulletin P-38-6-1	P-38-6-1-EN	Vibration Damping Kit
16	866836	1	Sensor		For double steering positions., Alt,0-10bar
17	863169	1	Pressure monitor, oil-pressure		0,7bar
18	873066	1	Thermo monitor, coolant water temp.		1-way., Alt, 12V 97°C
	827151	1	Temperature sensor, coolant water temp.		1-way., 40-120°C
	840074	1	Temperature sensor, coolant water temp.		1-way., For double instruments., Alt, 40-120°C
19	11998	2	Gasket		
20	1140598	X	Distributing contact		For double steering positions.
21	856355	1	Fuse		PT
22	956100	1	Cross recessed screw		
23	955893	2	Washer		
24	955781	2	Hexagon nut		
25		X	cables and terminals	1963	PT
26		X	cables and terminals		PT
27	955893	2	Washer		
28	960140	1	Washer		
29	(1234326)	1	Protecting casing		Obsolete part
30	3581444	1	Bracket		

TAMD41H-A, TAMD41H-B, TAMD41P-A, TAMD41L-A, TAMD41M-A,  
TMD41L-A



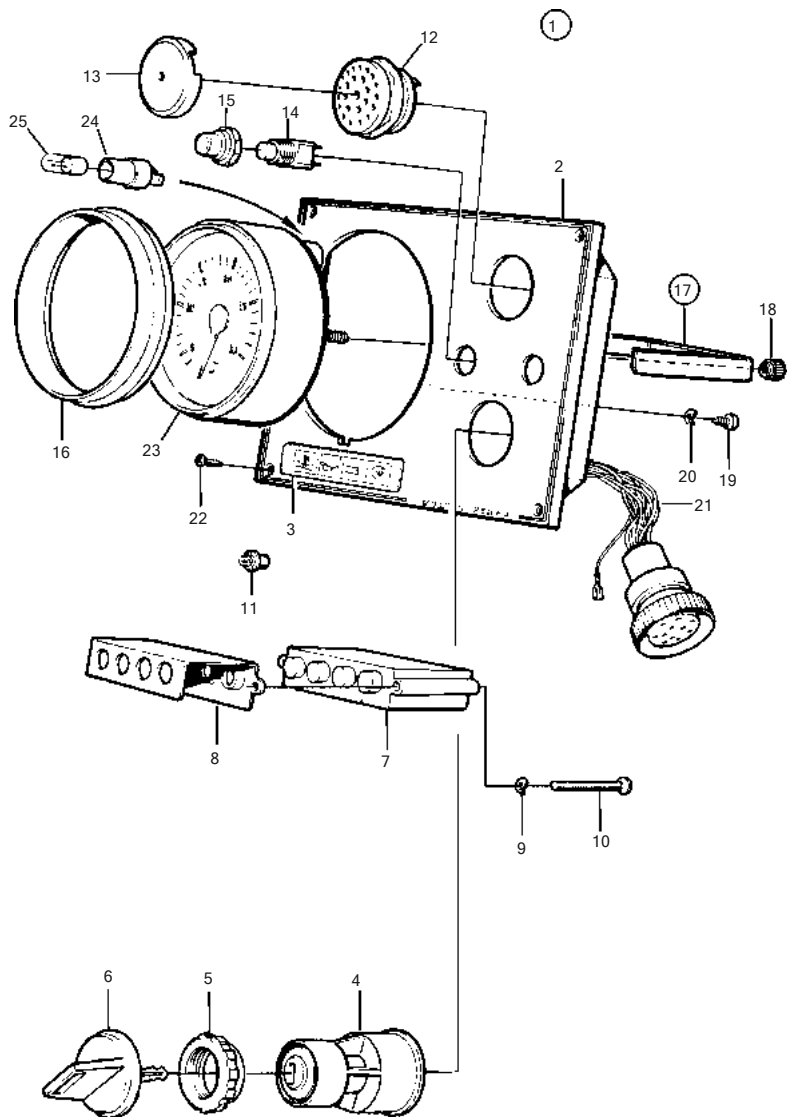
23150



TAMD41H-A, TAMD41H-B, TAMD41P-A, TAMD41L-A, TAMD41M-A, TMD41L-A

REF	PART NO.	QTY	DESCRIPTION	SEE SEC.	NOTES
1	860417	1	Bracket		
2	948746	2	Flange screw		
3	3580668	1	Bracket		
4	946470	1	Flange screw		L=35mm
	948217	1	Flange screw		L=45mm
5	873550	1	Wiring harness		Replaced by 1pcs 873744, wiring harness, and 1pcs 873740, relay.
	873744	1	Wiring harness		SN2204115148-
	873532	1	Wiring harness		Replaced by 1pcs 873745, wiring harness, and 1pcs 873740, relay., SOLAS
	873745	1	Wiring harness		SOLAS
6	948211	X	Cable tie		
7	955119	4	Cross recessed screw		
8	966689	1	Fuse		For 24V electrical system use 2pcs 966689, fuse., 24V
9	(860779)	1	Cover		Obsolete part
10	846736	3	Lock screw		
11	941904	3	Spring washer		
12	960137	3	Washer		
13	873740	1	Relay		12V, 40A
	838955	1	Relay		24V, 50A
	873611	1	Relay		24V, 20A
	1324492	1	Relay		
14	968476	X	Flange screw		
15	846648	1	Extension cable\verl		L=3.0m
	846649	1	Extension cable\verl		L=5.0m
	846650	1	Extension cable\verl		L=7.0m
16	866835	1	Sensor, oil-engine		0-10BAR
			• Bulletin P-38-6-1	P-38-6-1-EN	Vibration Damping Kit
16	866836	1	Sensor		For double steering positions., Alt,0-10bar
17	863169	1	Pressure monitor, oil-pressure		0,7bar
18	862250	1	Thermo monitor, coolant water temp.		24V 97°C, for 873532
19	873877	1	Thermo monitor, coolant water temp.		
20	957181	2	Gasket		
21	873066	1	Thermo monitor, coolant water temp.		1-way., Alt, 12V 97°C
	827151	1	Temperature sensor, coolant water temp.		1-way., 40-120°C
	840074	1	Temperature sensor, coolant water temp.		1-way., For double instruments., Alt, 40-120°C
22	843325	1	Temperature sensor, coolant water temp.		2-way., 24V 120°C
23	11998	2	Gasket		
24	1140598	X	Distributing contact		For double steering positions.
25	873112	1	Position sensor		SOLAS
26	968476	2	Flange screw		
27		1	Wiring harness		SOLAS
28	873828	1	Resistor		
	873717	1	Resistor		SOLAS, later prod
29	952627	1	Clamp		
30	942767	1	Toothed washer		
31	968476	1	Flange screw		
32	873543	1	Cable kit		Cable kit 873543 is used as adapter between cable harness 873745 and thermo monitor 862250.
33	3581444	1	Bracket		

AD31L-A, AD31P-A, AD41L-A, AD41P-A, D41L-A, TAMD31L-A, TAMD31M-A,  
 TAMD31P-A, TAMD31S-A, TAMD41H-A, TAMD41H-B, TAMD41P-A,  
 TAMD41L-A, TAMD41M-A, TMD31L-A, TMD41L-A

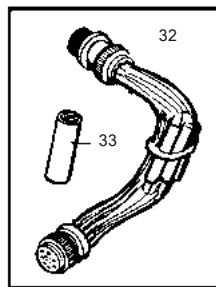
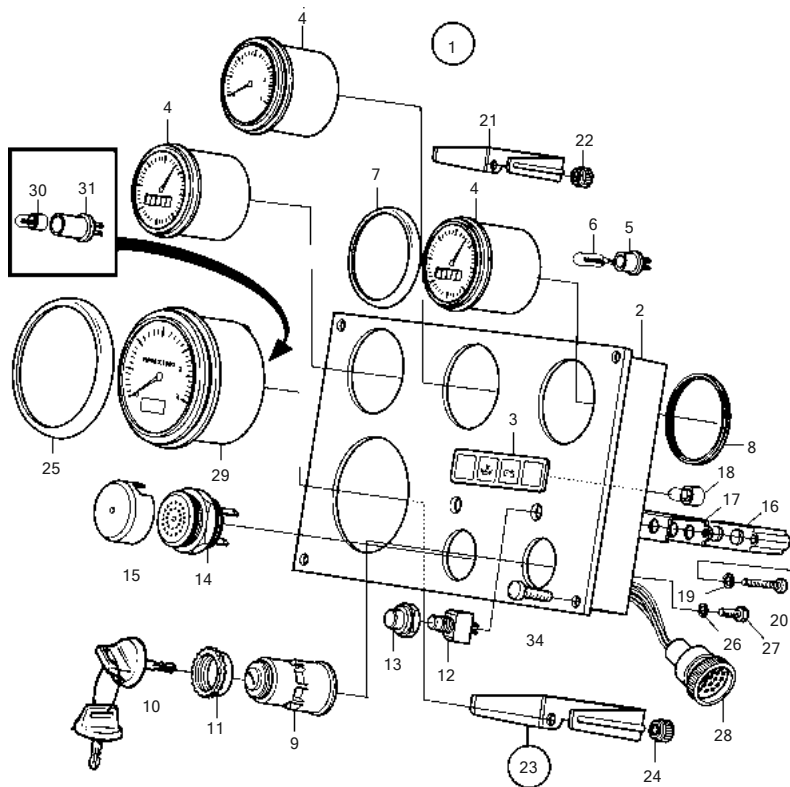


18564

AD31L-A, AD31P-A, AD41L-A, AD41P-A, D41L-A, TAMD31L-A, TAMD31M-A, TAMD31P-A,  
TAMD31S-A, TAMD41H-A, TAMD41H-B, TAMD41P-A, TAMD41L-A, TAMD41M-A,  
TMD31L-A, TMD41L-A

REF	PART NO.	QTY	DESCRIPTION	SEE SEC.	NOTES
1	3587077	1	Instrument panel		(873593)
2	860183	1	• Instrument panel		
3	858645	1	• Symbol strip		
4	3587072	1	• Starter switch		(864277)
5	859955	2	• • Plastic nut		
6	859953	1	• • Key		State key code when ordering
			• Bulletin 49-30	49-30-EN	Key P/N 859953
7	873737	1	• Electronic unit		
8	828784	1	• Reflector		
9	941904	2	• Spring washer		
10	(941615)	2	• Cross recessed screw		Obsolete part
11	19923	4	• Bulb		12V
12	828587	1	• Buzzer		
13	858795	1	• Protecting casing		
14	828584	1	• Toggle switch		Alarm test
	828585	1	• Toggle switch		Instr. light
15	828586	2	• Nut		
16	873517	1	• Ring		
17	873208	1	• Brace kit		
18		2	• • Nut		
19	949947	1	• Cross recessed screw		
20	941904	1	• Spring washer		
21	828648	1	• Cable kit		
22	828647	4	• Screw		
23	873992	1	Tachometer kit		4600 rpm
24	863945	1	• Lamp socket		
25	863946	1	• Bulb		12V, 1,2W red

AD31L-A, AD31P-A, AD41L-A, AD41P-A, D41L-A, TAMD31L-A, TAMD31M-A, TAMD31P-A, TAMD31S-A, TAMD41H-A, TAMD41H-B, TAMD41P-A, TAMD41L-A, TAMD41M-A, TMD31L-A, TMD41L-A

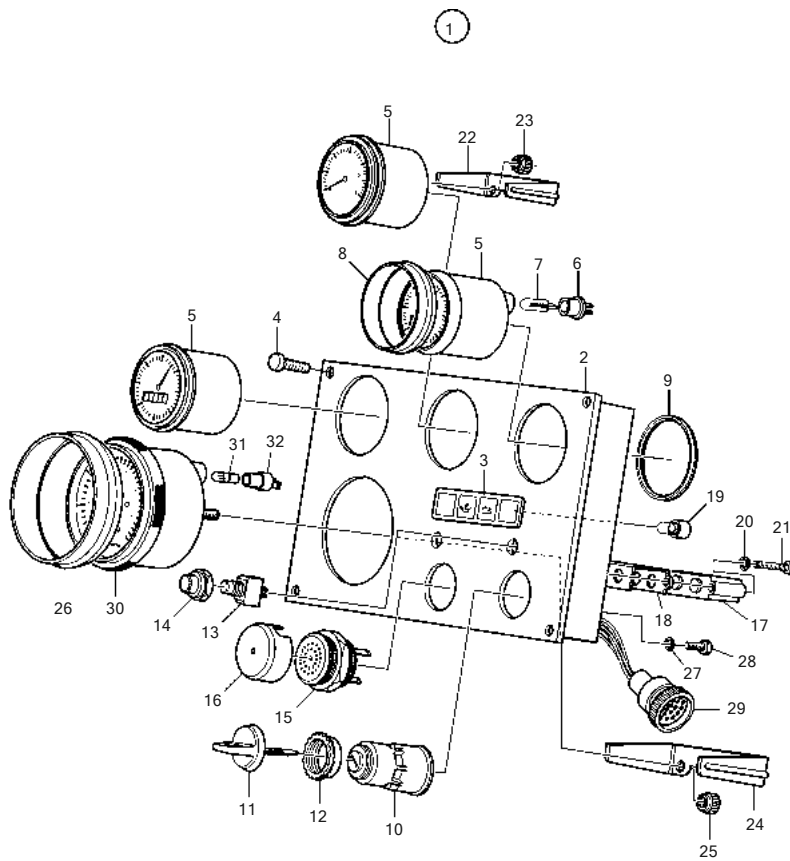


23066

AD31L-A, AD31P-A, AD41L-A, AD41P-A, D41L-A, TAMD31L-A, TAMD31M-A, TAMD31P-A,  
TAMD31S-A, TAMD41H-A, TAMD41H-B, TAMD41P-A, TAMD41L-A, TAMD41M-A,  
TMD31L-A, TMD41L-A

REF	PART NO.	QTY	DESCRIPTION	SEE SEC.	NOTES
1	3587075	1	Instrument panel		(873591)
2	860182	1	• Instrument panel		
3	858645	1	• Symbol strip		
4	873196	1	• Thermometer		
	873198	1	• Oil pressure gauge		
	873200	1	• Voltmeter		
5	863945	3	• • Lamp socket		
6	863947	3	• • Bulb		
7	858643	3	• Front ring		D=52mm
8	828803	3	• Guide ring		
9	3587072	1	• Starter switch		(864277)
10	859953	2	• • Key		State key code when ordering
			• Bulletin 49-30	49-30-EN	Key P/N 859953
11	859955	1	• • Plastic nut		
12	828584	1	• Toggle switch		Test alarm
	828585	1	• Toggle switch		Instr. light
13	828586	2	• Nut		
14	828587	1	• Buzzer		
15	858795	1	• Protecting casing		
16	873737	1	• Electronic unit		
17	828784	1	• Reflector		
18	828818	4	• Bulb		24V
19	941904	2	• Spring washer		
20	(941615)	2	• Cross recessed screw		Obsolete part
21	873207	3	• Brace kit		
22		6	• • Nut		
23	873208	1	• Brace kit		
24		2	• • Nut		
25	873517	1	• Ring		D=72mm
26	941904	1	• Spring washer		
27	949947	1	• Cross recessed screw		
28	828646	1	• Cable trunk		
29	873992	1	Tachometer kit		4600 rpm
30	863947	1	• Bulb		24V
31	863945	1	• Lamp socket		
32	873568	1	Diode cable		
33	20382270	1	• Diode		(1624394)
34	828647	4	Screw		

AD31L-A, AD31P-A, AD41L-A, AD41P-A, D41L-A, TAMD31L-A, TAMD31M-A,  
 TAMD31P-A, TAMD31S-A, TAMD41H-A, TAMD41H-B, TAMD41P-A,  
 TAMD41L-A, TAMD41M-A, TMD31L-A, TMD41L-A

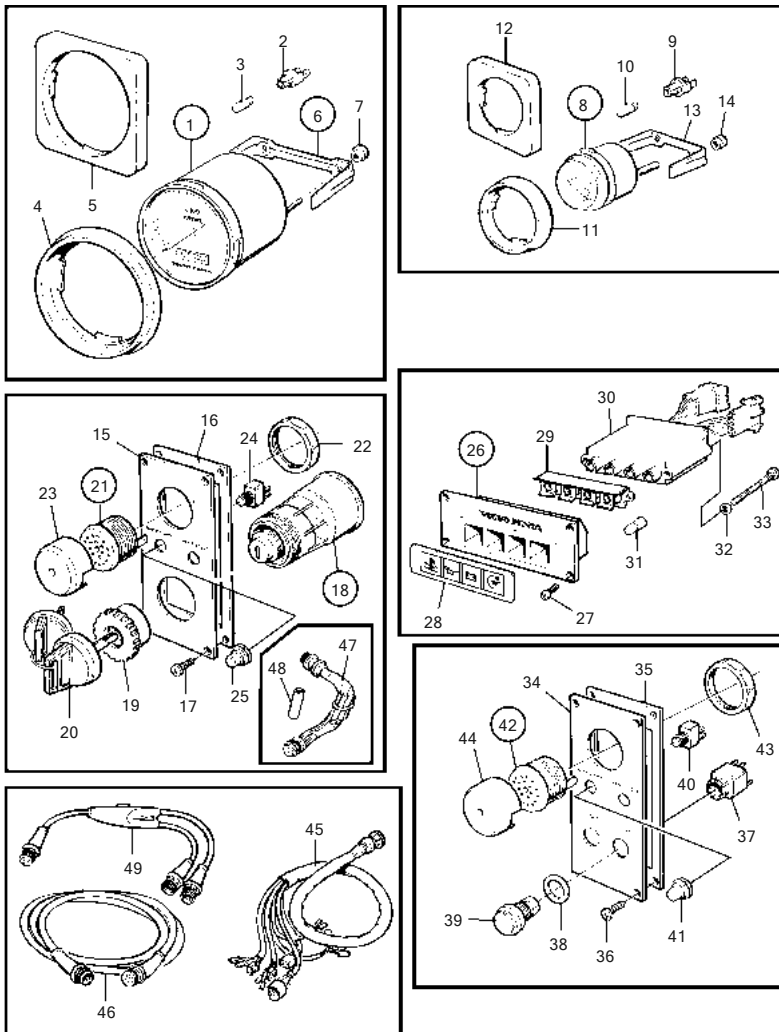


23065

AD31L-A, AD31P-A, AD41L-A, AD41P-A, D41L-A, TAMD31L-A, TAMD31M-A, TAMD31P-A,  
TAMD31S-A, TAMD41H-A, TAMD41H-B, TAMD41P-A, TAMD41L-A, TAMD41M-A,  
TMD31L-A, TMD41L-A

REF	PART NO.	QTY	DESCRIPTION	SEE SEC.	NOTES
1	3587074	1	Instrument panel		(873590)
2		1	• Instrument panel		(860182)
3	858645	1	• Symbol strip		
4	828647	4	• Screw		
5	873195	1	• Thermometer		
	873197	1	• Oil pressure gauge		
	873199	1	• Voltmeter		
6	863945	3	• • Lamp socket		
7	863946	3	• • Bulb		12V, 1,2W red
8	858643	3	• Front ring		D=52mm
9	828803	3	• Guide ring		
10	3587072	1	• Starter switch		(864277)
11	859953	2	• • Key		State key code when ordering
			• Bulletin 49-30	49-30-EN	Key P/N 859953
12	859955	1	• • Plastic nut		
13	828584	1	• Toggle switch		Test alarm
	828585	1	• Toggle switch		Instr. light
14	828586	2	• Nut		
15	828587	1	• Buzzer		
16	858795	1	• Protecting casing		
17	873737	1	• Electronic unit		
18	828784	1	• Reflector		
19	19923	4	• Bulb		12V
20	941904	2	• Spring washer		
21	(941615)	2	• Cross recessed screw		Obsolete part
22	873207	3	• Brace kit		
23		6	• • Nut		
24	873208	1	• Brace kit		
25		2	• • Nut		
26	873517	1	• Ring		D=72mm
27	941904	1	• Spring washer		
28	949947	1	• Cross recessed screw		
29	828646	1	• Cable trunk		
30	873992	1	Tachometer kit		4600 rpm
31	863946	1	• Bulb		12V, 1,2W red
32	863945	1	• Lamp socket		

AD31L-A, AD31P-A, AD41L-A, AD41P-A, D41L-A, TAMD31L-A, TAMD31M-A,  
 TAMD31P-A, TAMD31S-A, TAMD41H-A, TAMD41H-B, TAMD41P-A,  
 TAMD41L-A, TAMD41M-A, TMD31L-A, TMD41L-A



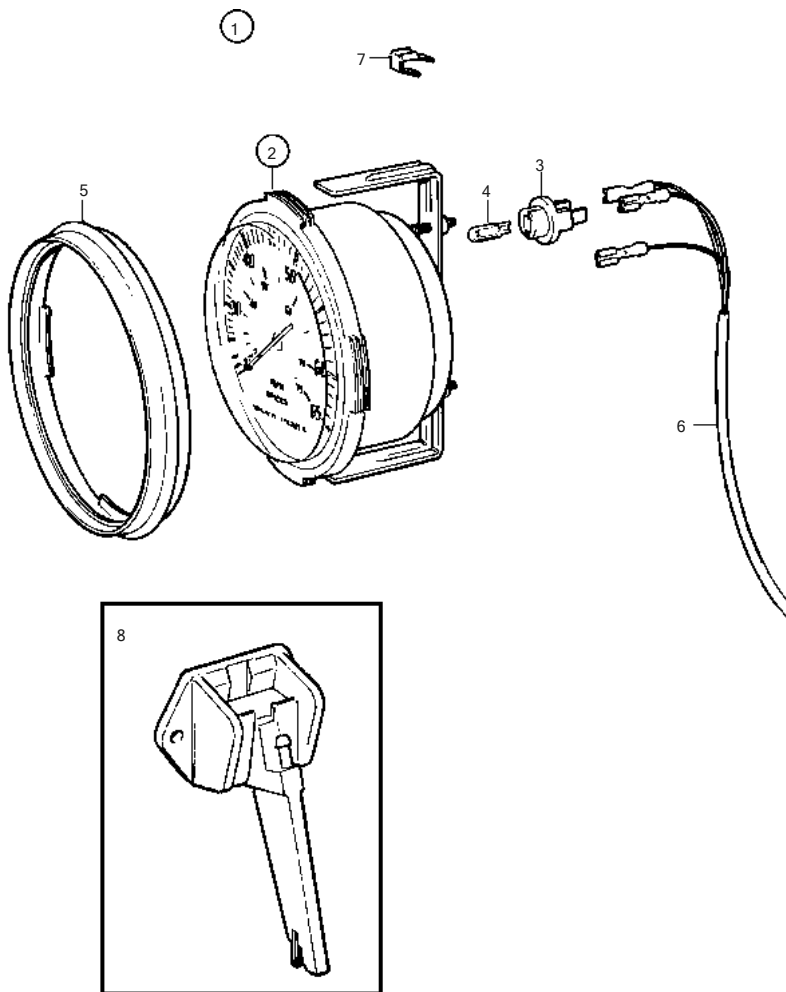
23067



AD31L-A, AD31P-A, AD41L-A, AD41P-A, D41L-A, TAMD31L-A, TAMD31M-A, TAMD31P-A, TAMD31S-A, TAMD41H-A, TAMD41H-B, TAMD41P-A, TAMD41L-A, TAMD41M-A, TMD31L-A, TMD41L-A

REF	PART NO.	QTY	DESCRIPTION	SEE SEC.	NOTES
1	873992	1	Tachometer kit		4600 rpm
2	863945	1	• Lamp socket		
3	863946	1	• Bulb		12V, 1,2W red
	863947	1	• Bulb		24V, 1,2W red
4	873517	1	Ring		Alt., D=72mm
5	873210	1	Instrument frame		Alt, D=75mm
6	873208	1	Brace kit		
7		2	• Nut		
8	873195	1	Thermometer		12V, 40-120°C
	873197	1	Oil pressure gauge		10x100kPa
	873199	1	Voltmeter		12V
9	863945	1	• Lamp socket		
10	863946	1	• Bulb		12V, 1,2W red
11	858643	1	Front ring		Alt, D=52mm
12	856822	1	Instrument frame		Alt, D=52mm
13	873207	1	Brace kit		
14		2	• Nut		
15	873271	1	Panel		
16	873273	1	Gasket		
17	828647	4	Screw		
18	3587072	1	Starter switch		(864277)
19	859955	1	• Plastic nut		
20	859953	2	• Key		State key code when ordering
			• Bulletin 49-30	49-30-EN	Key P/N 859953
21	828587	1	Buzzer		
22		1	• Nut		
23	858795	1	Protecting casing		
24	828584	1	Toggle switch		Alarm test
	828585	1	Toggle switch		Instr. light
25	828586	2	Nut		
26	858876	1	Symbol panel		858876 includes symbol plate 858645.
		1	Symbol panel		
27	828647	4	• Screw		
28	858645	1	• Symbol strip		For: coolant temperature, oil pressure, battery charging and preheater., Included in 858876.
	873559	1	Symbol strip		For: oil level, coolant level, water in fuel filter and extra alarm., Not included in 858876
29	828784	1	Reflector		
30	873737	1	Electronic unit		For: coolant temperature, oil pressure, battery charging and preheater., 12/24V
	873211	1	Electronic unit		For: oil level, coolant level, water in fuel filter and extra alarm., 12/24V
31	19923	4	Bulb		12V 2W
	182059	4	Bulb		24V, 3W
32	941904	2	Spring washer		
33	(941615)	2	Cross recessed screw		Obsolete part
34	873272	1	Panel		
35	873273	1	Gasket		
36	828647	4	Screw		
37	876950	1	Push button kit		Spare part design., Start, green
	876950	1	Push button kit		Spare part design., Stop, red
38		2	• Gasket		
39		2	• Push button		
40	828584	1	Toggle switch		Alarm test
	828585	1	Toggle switch		Instr. light
41	828586	2	Nut		
42	828587	1	Buzzer		
43		1	• Nut		
44	858795	1	Protecting casing		
45	873579	1	Wiring harness		Main station
	873580	1	Wiring harness		Fly Bridge
46	846648	X	Extension cable'verl		L=3.0m
	846649	X	Extension cable'verl		L=5.0m
	846650	X	Extension cable'verl		L=7.0m
47	873568	1	Diode cable		For 2-pole electrical system.
48	20382270	1	Diode		For 2-pole electrical system., (1624394)
49	1140598	X	Distributing contact		

AD31L-A, AD31P-A, AD41L-A, AD41P-A, D41L-A, TAM31L-A, TAM31M-A, TAM31P-A, TAM31S-A, TAM41H-A, TAM41H-B, TAM41P-A, TAM41L-A, TAM41M-A, TMD31L-A, TMD41L-A



18579

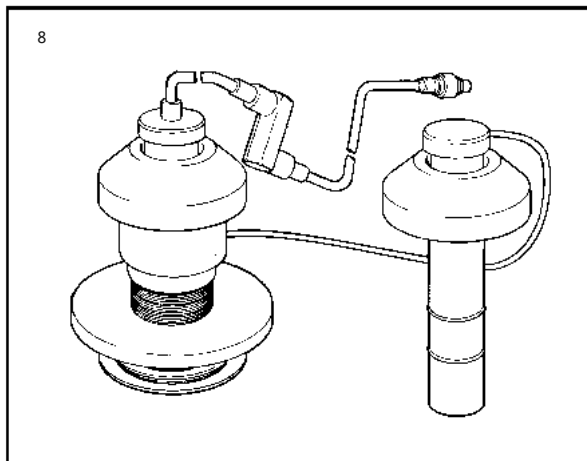
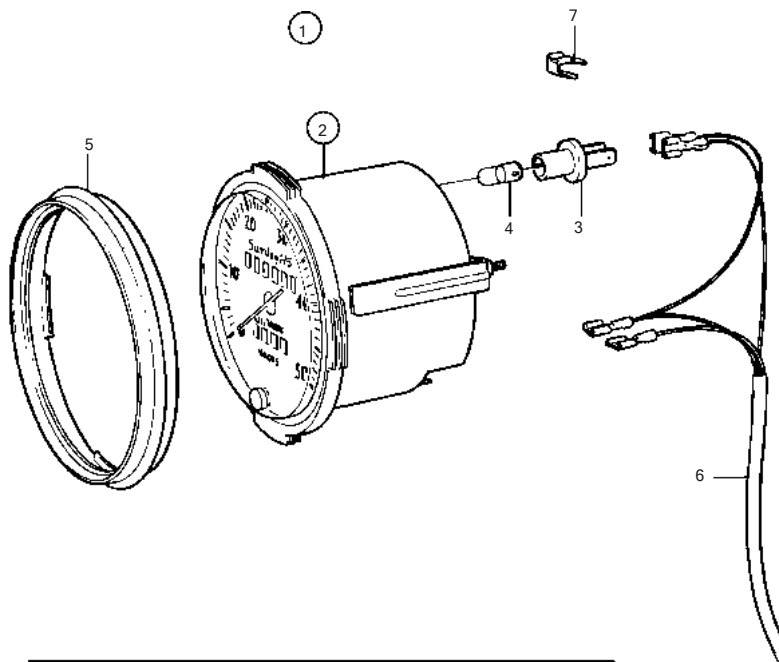
**Speedometer Kit, High Speed**

**30**

AD31L-A, AD31P-A, AD41L-A, AD41P-A, D41L-A, TAM31L-A, TAM31M-A, TAM31P-A, TAM31S-A, TAM41H-A, TAM41H-B, TAM41P-A, TAM41L-A, TAM41M-A, TMD31L-A, TMD41L-A

REF	PART NO.	QTY	DESCRIPTION	NOTES
1	1140433	1	Pressure log kit	
2	856810	1	• Pressure log	
3	863945	1	• • Lamp socket	
4	863946	1	• • Bulb	
5	856805	1	• Ring	
6	856865	1	• Cable kit	
7	943950	1	• Switch	
8	(856818)	1	• Connector kit	Obsolete part

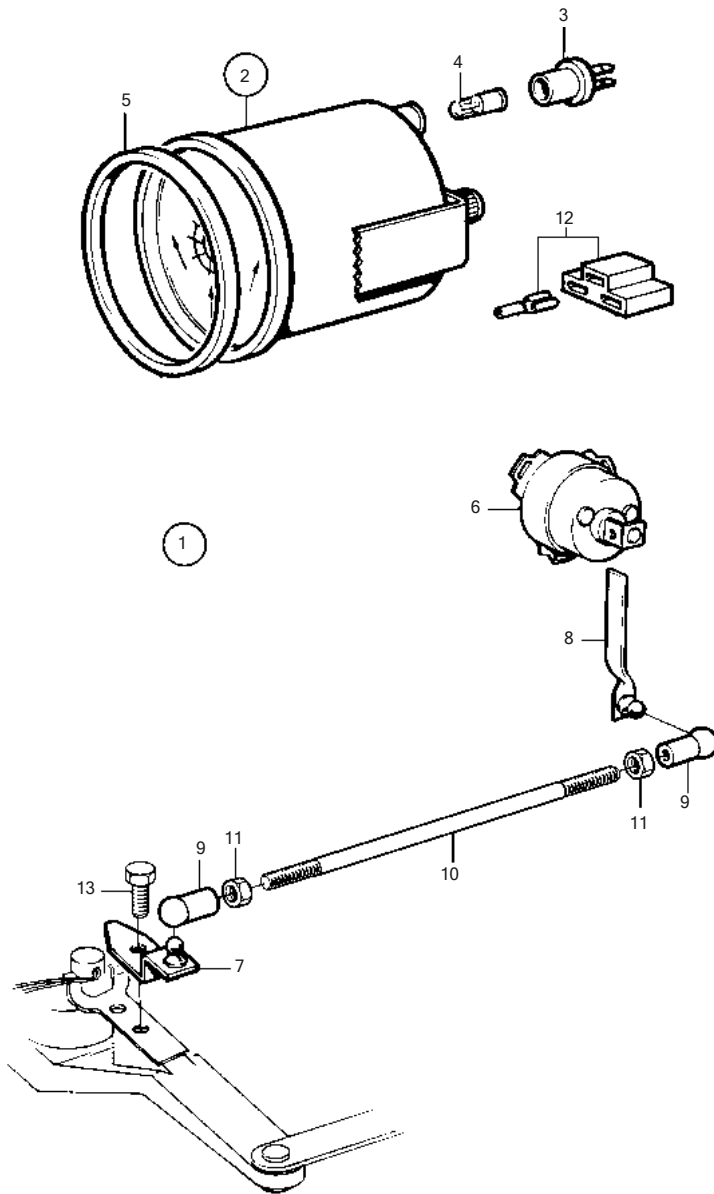
AD31L-A, AD31P-A, AD41L-A, AD41P-A, D41L-A, TAMD31L-A, TAMD31M-A,  
 TAMD31P-A, TAMD31S-A, TAMD41H-A, TAMD41H-B, TAMD41P-A,  
 TAMD41L-A, TAMD41M-A, TMD31L-A, TMD41L-A



18580



AD31L-A, AD31P-A, AD41L-A, AD41P-A, D41L-A, TAM31L-A, TAM31M-A,  
 TAM31P-A, TAM31S-A, TAM41H-A, TAM41H-B, TAM41P-A,  
 TAM41L-A, TAM41M-A, TMD31L-A, TMD41L-A

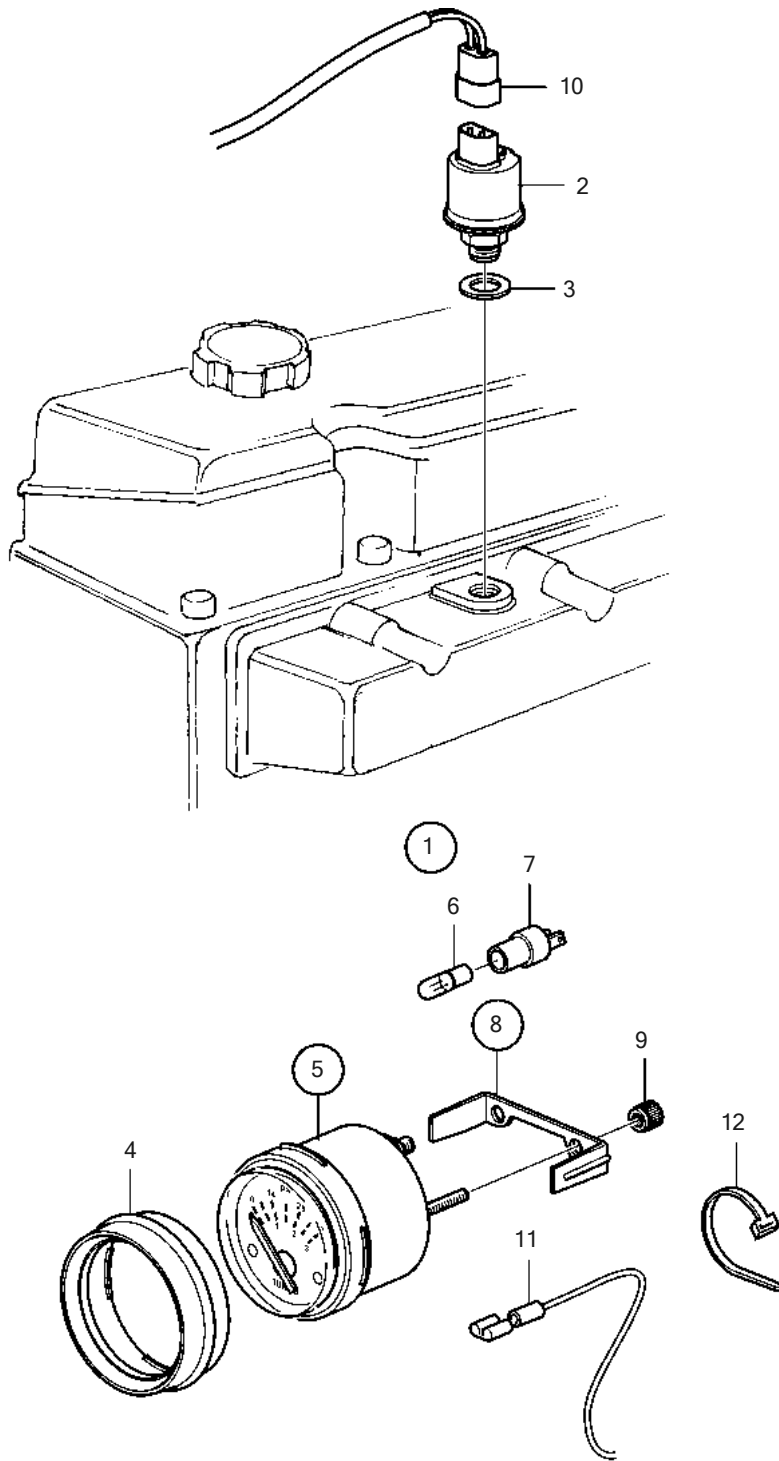


18582

AD31L-A, AD31P-A, AD41L-A, AD41P-A, D41L-A, TAM31L-A, TAM31M-A, TAM31P-A,  
TAM31S-A, TAM41H-A, TAM41H-B, TAM41P-A, TAM41L-A, TAM41M-A,  
TMD31L-A, TMD41L-A

REF	PART NO.	QTY	DESCRIPTION	SEE SEC.	NOTES
1	1140463	1	Rudder indicator kit		
2	863944	1	• Rudder indicator		
3	863945	1	• • Lamp socket		
4	863946	1	• • Bulb		12V, 1,2W red
5	858643	1	• Front ring		
6	837772	1	• Position sensor		
7	853176	1	• Bracket		
8	853177	1	• Intermediate lever		
9	946704	1	• Ball socket		Left hand threads
	946703	1	• Ball socket		Right hand threads
10	943549	1	• Control rod		
11	942836	1	• Hexagon nut		Left hand threads
	955780	1	• Hexagon nut		Right hand threads
12		X	• electrical materials	1963	
13	940199	1	Hexagon screw		

AD31L-A, AD31P-A, AD41L-A, AD41P-A, D41L-A, TAMD31L-A, TAMD31M-A,  
 TAMD31P-A, TAMD31S-A, TAMD41H-A, TAMD41H-B, TAMD41P-A,  
 TAMD41L-A, TAMD41M-A, TMD31L-A, TMD41L-A



16970



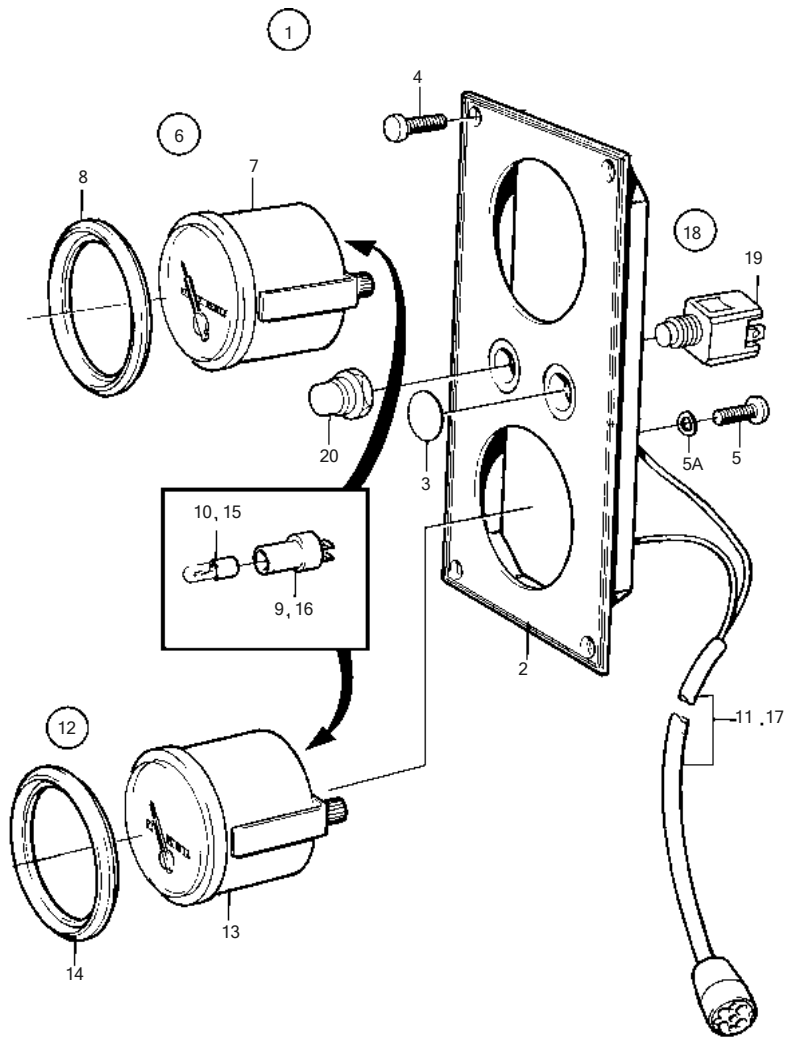
AD31L-A, AD31P-A, AD41L-A, AD41P-A, D41L-A, TAMD31L-A, TAMD31M-A, TAMD31P-A,  
TAMD31S-A, TAMD41H-A, TAMD41H-B, TAMD41P-A, TAMD41L-A, TAMD41M-A,  
TMD31L-A, TMD41L-A

REF	PART NO.	QTY	DESCRIPTION	SEE SEC.	NOTES
1	(873855)	1	Turbo pressure gauge		Obsolete part
2	866837	1	• Sensor, turbo		0-3bar
3	957181	1	• Gasket		
4	858643	1	• Front ring		
5	873205	1	• Turbo pressure gauge		
6	863946	1	• • Bulb		
7	863945	1	• • Lamp socket		
8	873207	1	• Brace kit		
9		2	• • Nut		
10	873882	1	• Cable kit		
11		X	• cables and terminals	1963	
12	948211	5	• Cable tie		

30

Extra Instrument Panel, Hour Meter and Volt Meter

AD31L-A, AD31P-A, AD41L-A, AD41P-A, D41L-A, TAMD31L-A, TAMD31M-A, TAMD31P-A, TAMD31S-A, TAMD41H-A, TAMD41H-B, TAMD41P-A, TAMD41L-A, TAMD41M-A, TMD31L-A, TMD41L-A



18577

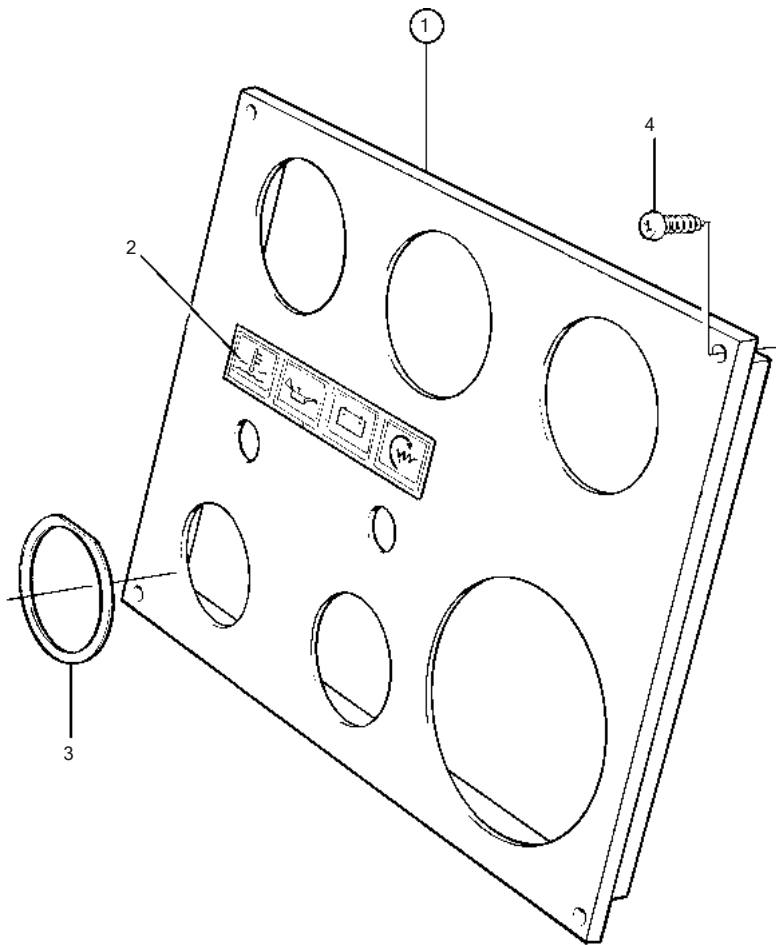
AD31L-A, AD31P-A, AD41L-A, AD41P-A, D41L-A, TAMD31L-A, TAMD31M-A, TAMD31P-A,  
TAMD31S-A, TAMD41H-A, TAMD41H-B, TAMD41P-A, TAMD41L-A, TAMD41M-A,  
TMD31L-A, TMD41L-A

REF	PART NO.	QTY	DESCRIPTION	SEE SEC.	NOTES
1	(858874)	1	Instrument panel		For instruments with D=52mm., Obsolete part
2		1	• Instrument panel		
3	828607	2	• Cover plate		
4	828647	4	• Screw		
5	949947	1	• Cross recessed screw		
5A	941904	1	• Spring washer		
6	(1140464)	1	Hour recorder		Obsolete part
7	872479	1	• Hour recorder		
8	858643	1	• Front ring		
9	808175	1	• Lamp socket		
10	19923	1	• Bulb		
11		X	• electrical materials	1963	
12	(858878)	1	Voltmeter kit		Obsolete part
13	873199	1	• Voltmeter		
14	858643	1	• Front ring		
15	19923	1	• Bulb		
16	808175	1	• Lamp socket		
17		X	• electrical materials	1963	
18	(828718)	1	Toggle switch		Spring loaded., Obsolete part
	(828719)	1	Toggle switch		On/Off, Obsolete part
19	828584	1	• Toggle switch		For 828718
	828585	1	• Toggle switch		For 828719
20	828586	1	• Nut		

30

Instr. Panel for Twin Engine Install.  
Mirror-Invert

AD31L-A, AD31P-A, AD41L-A, AD41P-A, D41L-A, TAMD31L-A, TAMD31M-A,  
TAMD31P-A, TAMD31S-A, TAMD41H-A, TAMD41H-B, TAMD41P-A,  
TAMD41L-A, TAMD41M-A, TMD31L-A, TMD41L-A

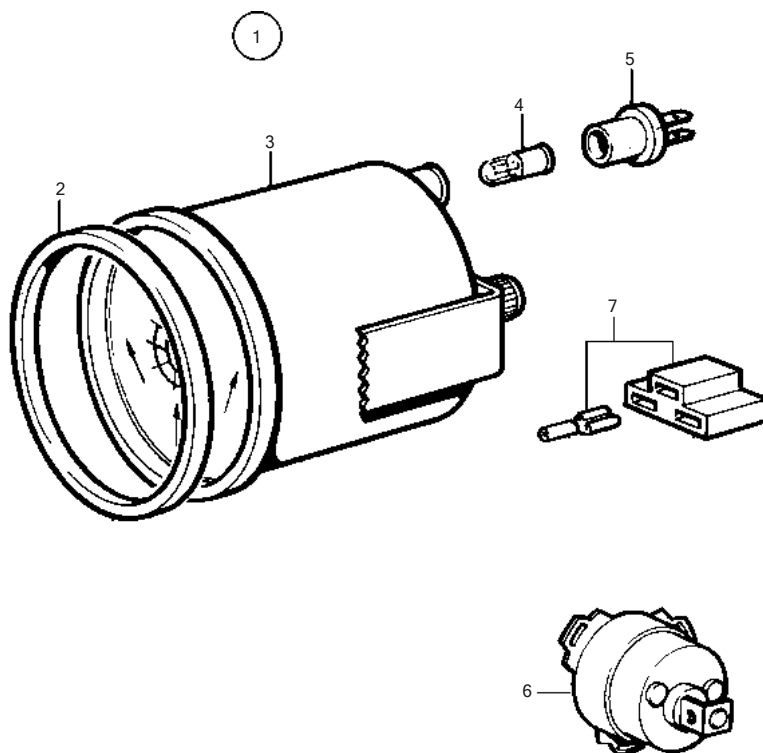


18566

AD31L-A, AD31P-A, AD41L-A, AD41P-A, D41L-A, TAM31L-A, TAM31M-A, TAM31P-A,  
TAM31S-A, TAM41H-A, TAM41H-B, TAM41P-A, TAM41L-A, TAM41M-A,  
TMD31L-A, TMD41L-A

REF	PART NO.	QTY	DESCRIPTION
1	860184	1	Instrument panel
2	858645	1	• Symbol strip
3		1	• Marking label, starter switch
4	828647	4	Screw

AD31L-A, AD31P-A, AD41L-A, AD41P-A, D41L-A, TAM31L-A, TAM31M-A,  
TAM31P-A, TAM31S-A, TAM41H-A, TAM41H-B, TAM41P-A,  
TAM41L-A, TAM41M-A, TMD31L-A, TMD41L-A

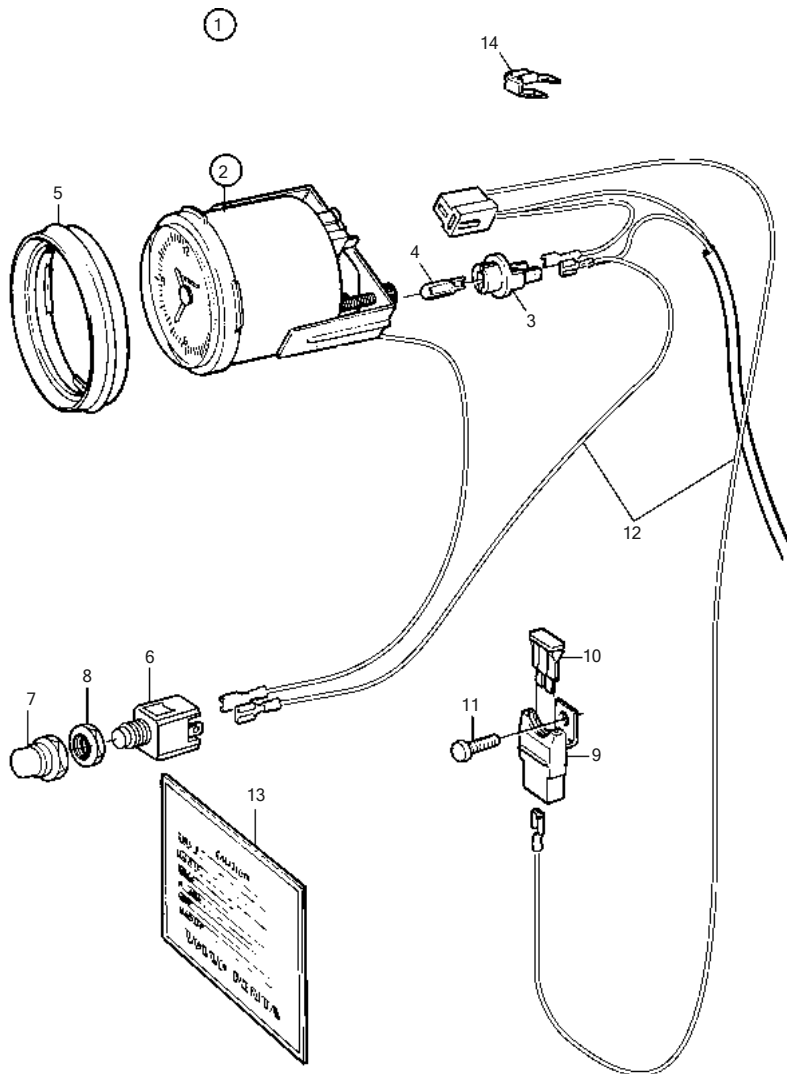


18581

AD31L-A, AD31P-A, AD41L-A, AD41P-A, D41L-A, TAMD31L-A, TAMD31M-A, TAMD31P-A, TAMD31S-A, TAMD41H-A, TAMD41H-B, TAMD41P-A, TAMD41L-A, TAMD41M-A, TMD31L-A, TMD41L-A

REF	PART NO.	QTY	DESCRIPTION	SEE SEC.	NOTES
1	1140465	1	Rudder indicator kit		
2	858643	1	• Front ring		
3	863944	1	• Rudder indicator		
4	863946	1	• • Bulb		
5	863945	1	• • Lamp socket		For instrument 828698 should white bulb 19923 and socket 808175 be mounted.
6	837772	1	• Position sensor		
7		X	• electrical materials	1963	

AD31L-A, AD31P-A, AD41L-A, AD41P-A, D41L-A, TAM31L-A, TAM31M-A,  
 TAM31P-A, TAM31S-A, TAM41H-A, TAM41H-B, TAM41P-A,  
 TAM41L-A, TAM41M-A, TMD31L-A, TMD41L-A



18576

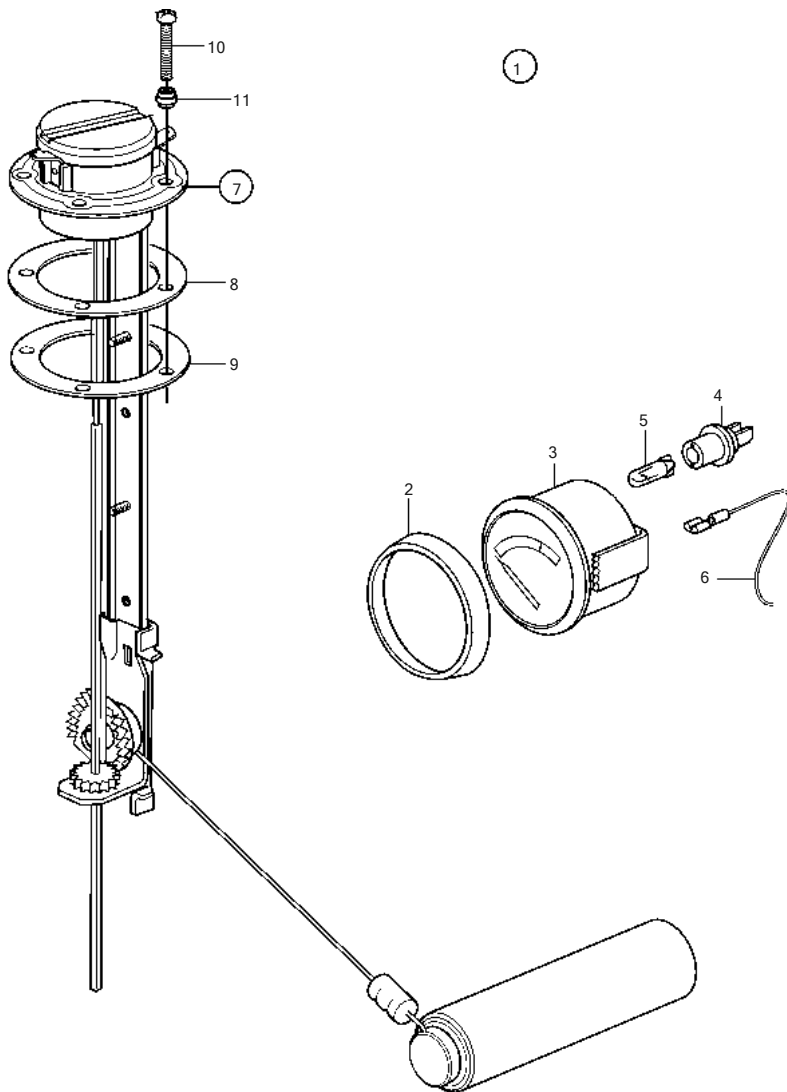


<b>Clock Kit</b>	30
------------------	----

AD31L-A, AD31P-A, AD41L-A, AD41P-A, D41L-A, TAM31L-A, TAM31M-A, TAM31P-A, TAM31S-A, TAM41H-A, TAM41H-B, TAM41P-A, TAM41L-A, TAM41M-A, TAM31L-A, TAM41L-A

REF	PART NO.	QTY	DESCRIPTION	NOTES
1	(1140597)	1	Clock kit	Obsolete part
2	856814	1	• Clock	
3	863945	1	• • Lamp socket	
4	863946	1	• • Bulb	
5	858643	1	• Front ring	
6	828584	1	• Toggle switch	
7	828586	1	• Nut	
8	872407	1	• Hexagon nut	
9	1323312	1	• Insulator	
10	981405	1	• Fuse	3A (969115)
11	972070	1	• 6 point socket screw	
12	872492	1	• Cable kit	
13	841242	1	• Label	
14	943950	1	• Switch	

AD31L-A, AD31P-A, AD41L-A, AD41P-A, D41L-A, TAM31L-A, TAM31M-A,  
 TAM31P-A, TAM31S-A, TAM41H-A, TAM41H-B, TAM41P-A,  
 TAM41L-A, TAM41M-A, TMD31L-A, TMD41L-A

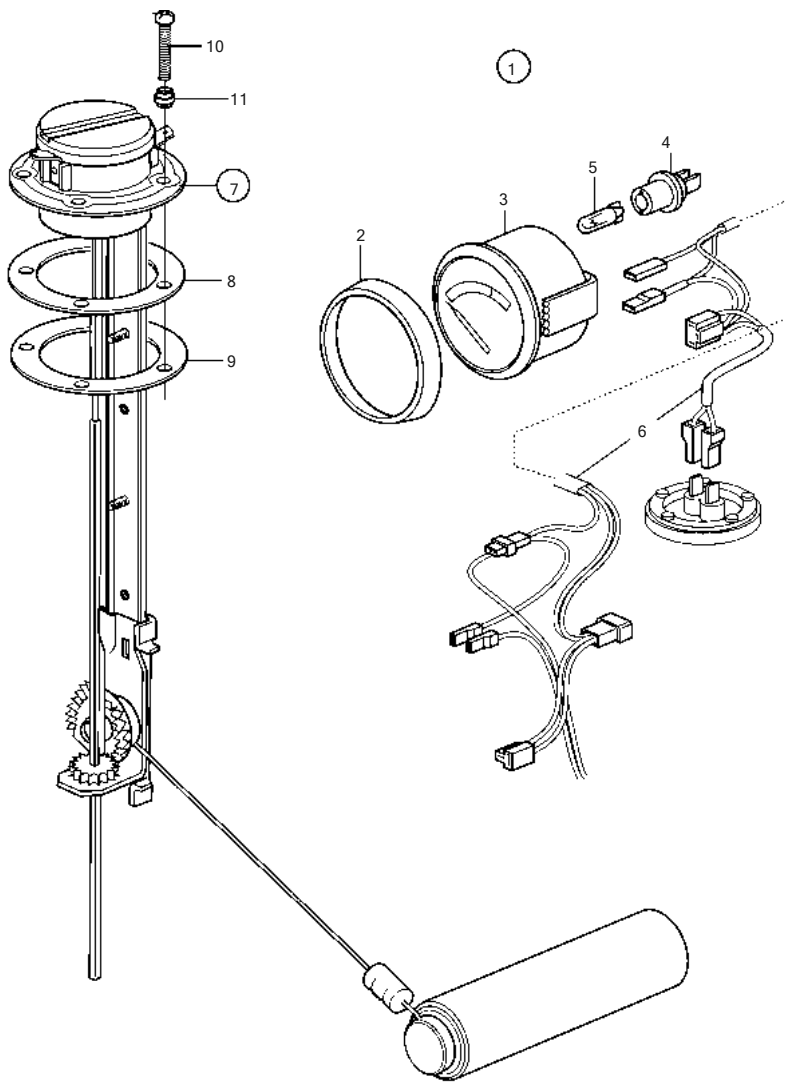


18583

AD31L-A, AD31P-A, AD41L-A, AD41P-A, D41L-A, TAMD31L-A, TAMD31M-A, TAMD31P-A, TAMD31S-A, TAMD41H-A, TAMD41H-B, TAMD41P-A, TAMD41L-A, TAMD41M-A, TMD31L-A, TMD41L-A

REF	PART NO.	QTY	DESCRIPTION	SEE SEC.	NOTES
1	873808	1	Fuel gauge		(858879)
2	858643	1	• Front ring		
3	863940	1	• Fuel gauge		
	873207	1	• • Brace kit		
		2	• • • Nut		Not sold separately
		2	• • Spacer		Not sold separately
4	863945	1	• • Lamp socket		Use white bulb 19923 and socket 808175 for earlier gauges.
5	863946	1	• • Bulb		Use white bulb 19923 and socket 808175 for earlier gauges., 12V, 1,2W red
6		X	• Wiring harness	1963	
7	873772	1	• Tank sensor		(837999)
8	89865	1	• • Gasket		
9	834480	1	• • Flange		
10	969407	4	• • 6 point socket screw		(956078)
	969409	1	• • 6 point socket screw		
11	834481	5	• • Gasket		

AD31L-A, AD31P-A, AD41L-A, AD41P-A, D41L-A, TAM31L-A, TAM31M-A,  
TAM31P-A, TAM31S-A, TAM41H-A, TAM41H-B, TAM41P-A,  
TAM41L-A, TAM41M-A, TMD31L-A, TMD41L-A

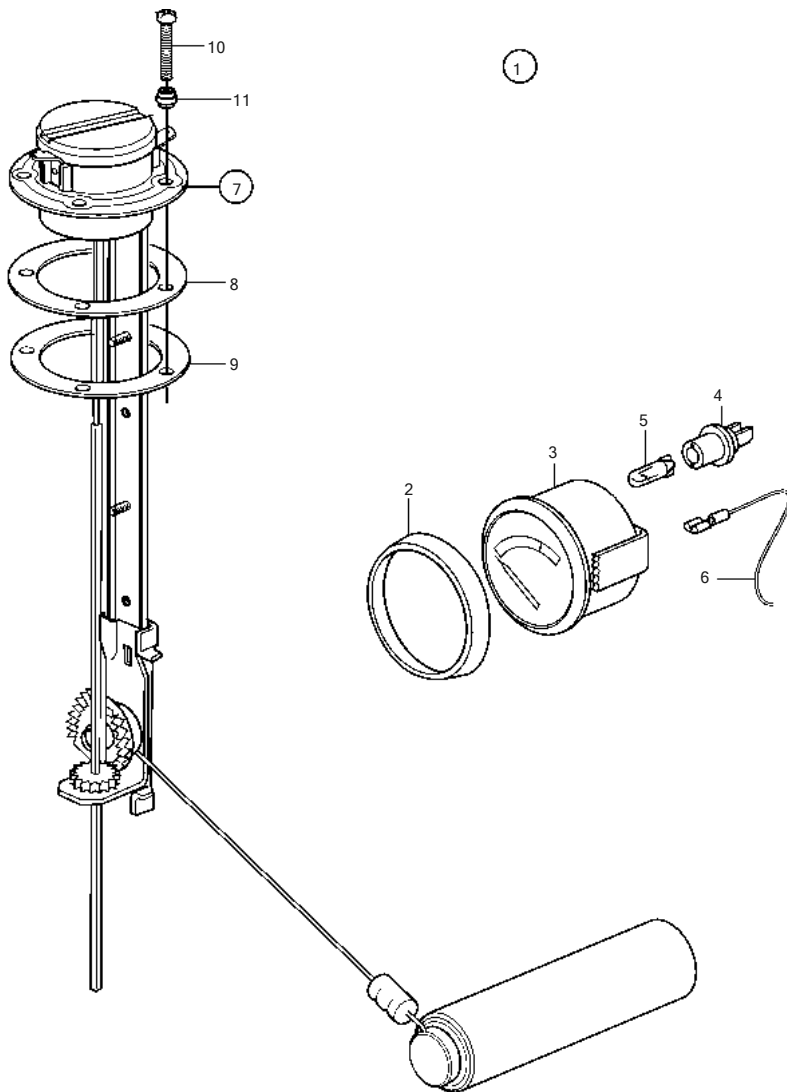


22912

AD31L-A, AD31P-A, AD41L-A, AD41P-A, D41L-A, TAM31L-A, TAM31M-A, TAM31P-A, TAM31S-A, TAM41H-A, TAM41H-B, TAM41P-A, TAM41L-A, TAM41M-A, TAM31L-A, TAM41L-A

REF	PART NO.	QTY	DESCRIPTION	NOTES
1	873808	1	Fuel gauge	12V (858879)
2	858643	1	• Front ring	
3	863940	1	• Fuel gauge	
4	863945	1	• • Lamp socket	Use white bulb 19923 and socket 808175 for earlier gauges.
5	863946	1	• • Bulb	Use white bulb 19923 and socket 808175 for earlier gauges., 12V, 1,2W red
6	856867	1	• Cable kit	
7	873772	1	• Tank sensor	(837999)
8	89865	1	• • Gasket	
9	834480	1	• • Flange	
10	969407	4	• • 6 point socket screw	(956078)
	969409	1	• • 6 point socket screw	
11	834481	5	• • Gasket	

AD31L-A, AD31P-A, AD41L-A, AD41P-A, D41L-A, TAM31L-A, TAM31M-A,  
 TAM31P-A, TAM31S-A, TAM41H-A, TAM41H-B, TAM41P-A,  
 TAM41L-A, TAM41M-A, TMD31L-A, TMD41L-A

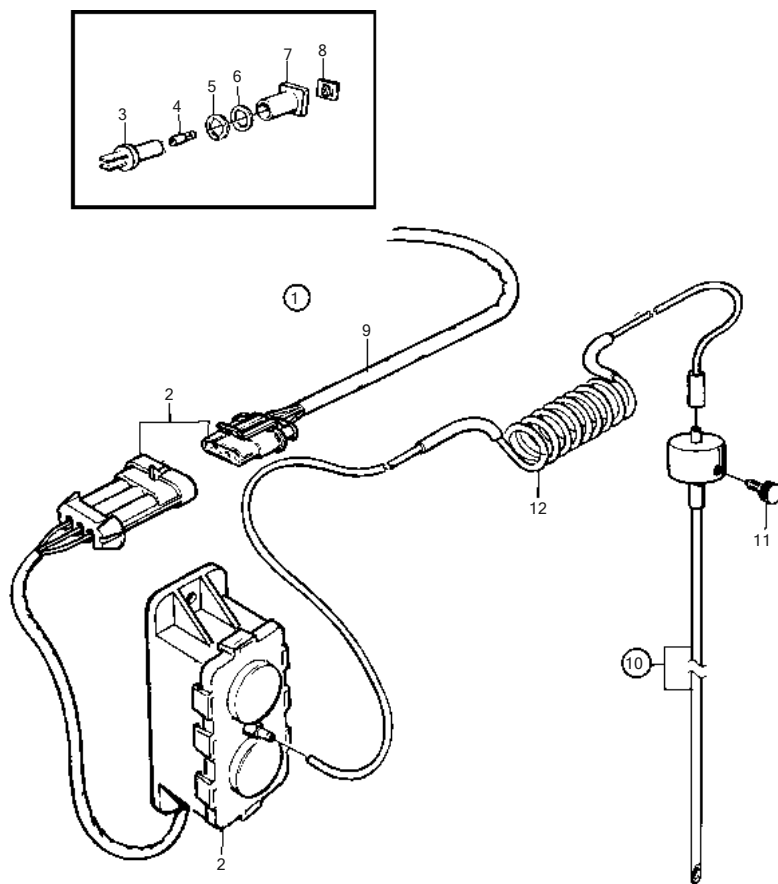


18583

AD31L-A, AD31P-A, AD41L-A, AD41P-A, D41L-A, TAM31L-A, TAM31M-A, TAM31P-A, TAM31S-A, TAM41H-A, TAM41H-B, TAM41P-A, TAM41L-A, TAM41M-A, TMD31L-A, TMD41L-A

REF	PART NO.	QTY	DESCRIPTION	SEE SEC.	NOTES
1	(1140462)	1	Water level gauge ki		(858881), Obsolete part
2	858643	1	• Front ring		
3	(863942)	1	• Water level gauge		Obsolete part
4	863945	1	• • Lamp socket		Use white bulb 19923 and socket 808175 for earlier gauges.
5	863946	1	• • Bulb		Use white bulb 19923 and socket 808175 for earlier gauges.
6		X	• Wiring harness	1963	
7	834389	1	• Tank sensor		
8	89865	1	• • Gasket		
9	834480	1	• • Flange		
10	969407	4	• • 6 point socket screw		(956078)
	969409	1	• • 6 point socket screw		
11	834481	5	• • Gasket		

AD31L-A, AD31P-A, AD41L-A, AD41P-A, D41L-A, TAMD31L-A, TAMD31M-A,  
TAMD31P-A, TAMD31S-A, TAMD41H-A, TAMD41H-B, TAMD41P-A,  
TAMD41L-A, TAMD41M-A, TMD31L-A, TMD41L-A



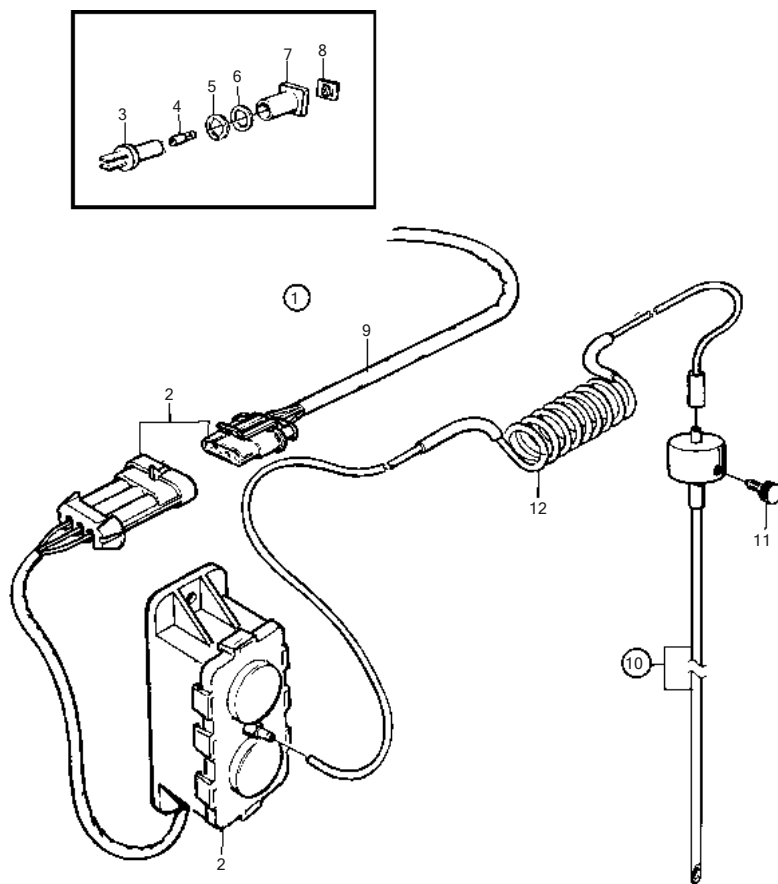
15566



AD31L-A, AD31P-A, AD41L-A, AD41P-A, D41L-A, TAMD31L-A, TAMD31M-A, TAMD31P-A,  
TAMD31S-A, TAMD41H-A, TAMD41H-B, TAMD41P-A, TAMD41L-A, TAMD41M-A,  
TMD31L-A, TMD41L-A

REF	PART NO.	QTY	DESCRIPTION	SEE SEC.	NOTES
1	(866854)	1	Oil level sensor		12V, Obsolete part
2	(866831)	1	• Electronic unit		Obsolete part
3	808175	1	• Lamp socket		
4	19923	1	• Bulb		12V
5	967583	1	• Retainer		
6	829714	1	• Sealing ring		
7	838455	1	• Retainer		
8	866853	1	• Symbol strip		
9		X	cables and terminals	1963	
10	(866841)	1	Dipstick		Obsolete part
11		1	• Screw		
12		1	• Hose		

AD31L-A, AD31P-A, AD41L-A, AD41P-A, D41L-A, TAMD31L-A, TAMD31M-A,  
TAMD31P-A, TAMD31S-A, TAMD41H-A, TAMD41H-B, TAMD41P-A,  
TAMD41L-A, TAMD41M-A, TMD31L-A, TMD41L-A

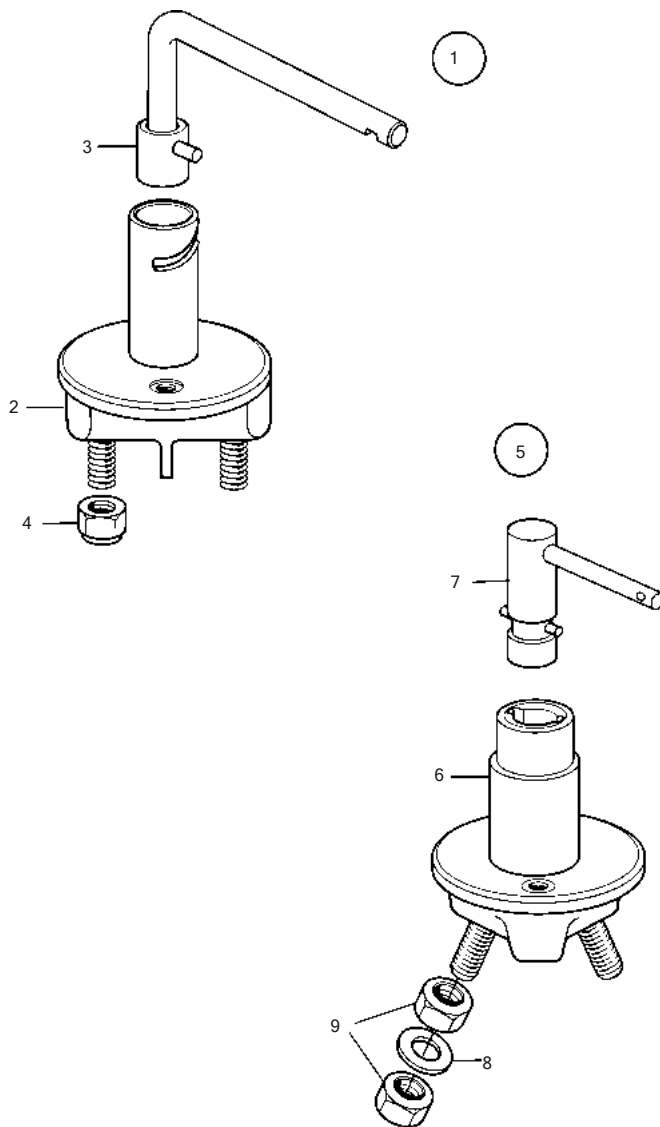


15566

AD31L-A, AD31P-A, AD41L-A, AD41P-A, D41L-A, TAMD31L-A, TAMD31M-A, TAMD31P-A,  
TAMD31S-A, TAMD41H-A, TAMD41H-B, TAMD41P-A, TAMD41L-A, TAMD41M-A,  
TMD31L-A, TMD41L-A

REF	PART NO.	QTY	DESCRIPTION	SEE SEC.	NOTES
1	(866855)	1	Oil level sensor		24V, Obsolete part
2	(866832)	1	• Electronic unit		Obsolete part
3	808175	1	• Lamp socket		
4	182059	1	• Bulb		24V
5	967583	1	• Retainer		
6	829714	1	• Sealing ring		
7	838455	1	• Retainer		
8	866853	1	• Symbol strip		
9		X	cables and terminals	1963	
10	(866841)	1	Dipstick		Obsolete part
11		1	• Screw		
12		1	• Hose		

AD31L-A, AD31P-A, AD41L-A, AD41P-A, D41L-A, TAM31L-A, TAM31M-A,  
TAM31P-A, TAM31S-A, TAM41H-A, TAM41H-B, TAM41P-A,  
TAM41L-A, TAM41M-A, TMD31L-A, TMD41L-A



18584

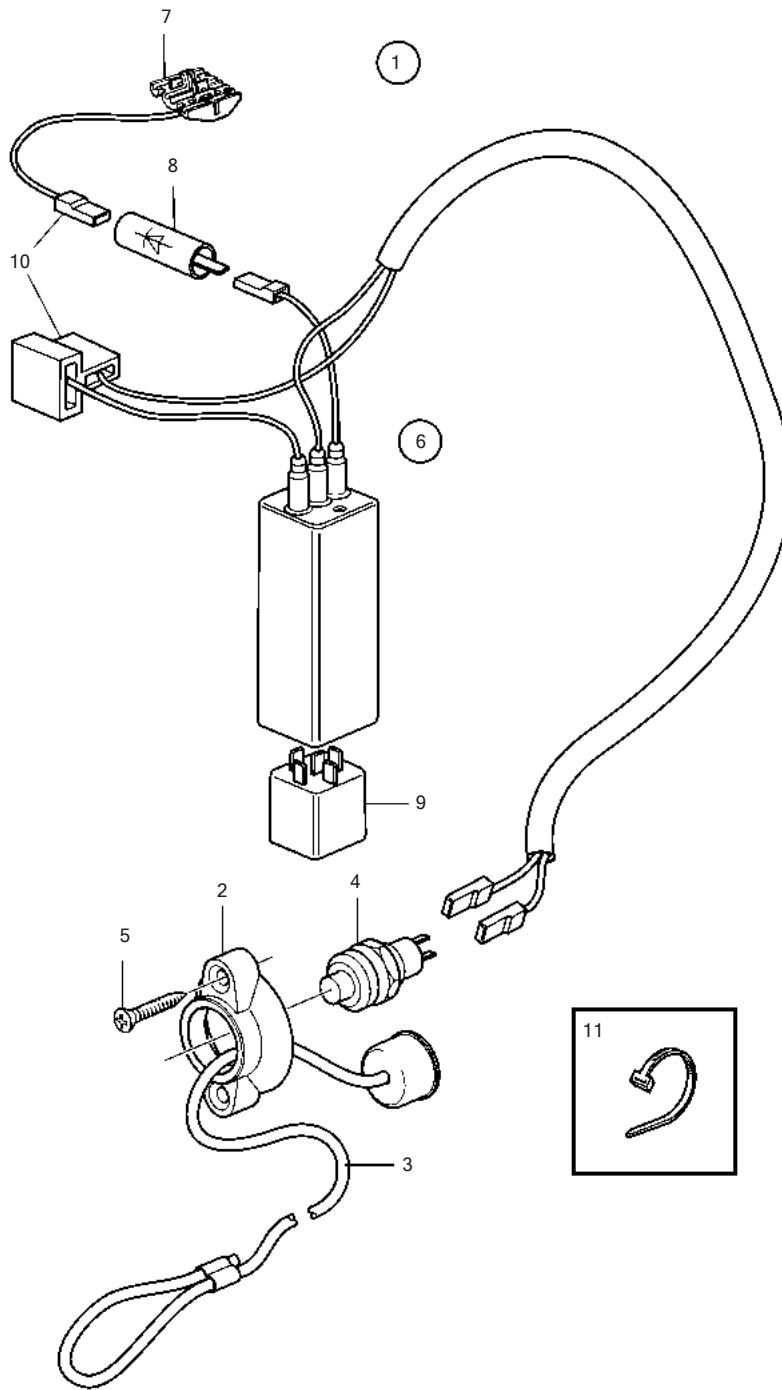
**Main Battery Switch**

**30**

AD31L-A, AD31P-A, AD41L-A, AD41P-A, D41L-A, TAMD31L-A, TAMD31M-A, TAMD31P-A, TAMD31S-A, TAMD41H-A, TAMD41H-B, TAMD41P-A, TAMD41L-A, TAMD41M-A, TMD31L-A, TMD41L-A

REF	PART NO.	QTY	DESCRIPTION	NOTES
1	870980	1	Main switch	Replaced by 1140319
2		1	• Switch	
3	243700	1	• Handle	Replaced by 1140319
4	971071	2	• Hexagon nut	
5	1140319	1	Battery main switch	
6		1	• Switch	
7	1140427	1	• Cock handle	
8	1140428	2	• Washer	
9	17602	4	• Hexagon nut	

AD31L-A, AD31P-A, AD41L-A, AD41P-A, D41L-A, TAMD31L-A, TAMD31M-A,  
 TAMD31P-A, TAMD31S-A, TAMD41H-A, TAMD41H-B, TAMD41P-A,  
 TAMD41L-A, TAMD41M-A, TMD31L-A, TMD41L-A



18610

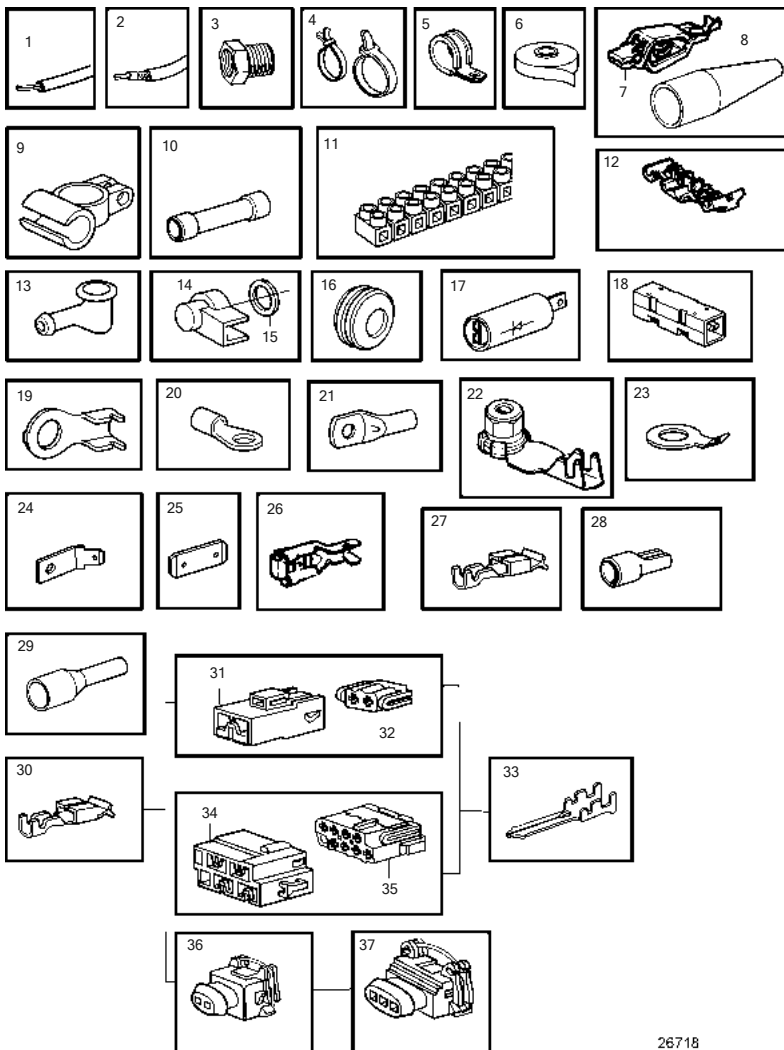
**Emergency Stop Contact**

**30**

AD31L-A, AD31P-A, AD41L-A, AD41P-A, D41L-A, TAMD31L-A, TAMD31M-A, TAMD31P-A, TAMD31S-A, TAMD41H-A, TAMD41H-B, TAMD41P-A, TAMD41L-A, TAMD41M-A, TMD31L-A, TMD41L-A

REF	PART NO.	QTY	DESCRIPTION	SEE SEC.	NOTES
1	873977	1	Safety switch		
2	839342	1	· Anchorage		
3	839421	1	· Fuse		
4	843684	1	· Button		
5	944540	2	· Screw		
6	873968	1	· Cable kit		
7	944306	1	· · Connector		
8	20382270	1	· · Diode		(1624394)
9	873765	1	· · Relay		
10		X	· · electrical materials	1963	
11	948211	5	· Cable tie		

AD31L-A, AD31P-A, AD41L-A, AD41P-A, D41L-A, TAM31L-A, TAM31M-A, TAM31P-A, TAM31S-A, TAM41H-A, TAM41H-B, TAM41P-A, TAM41L-A, TAM41M-A, TMD31L-A, TMD41L-A



26718



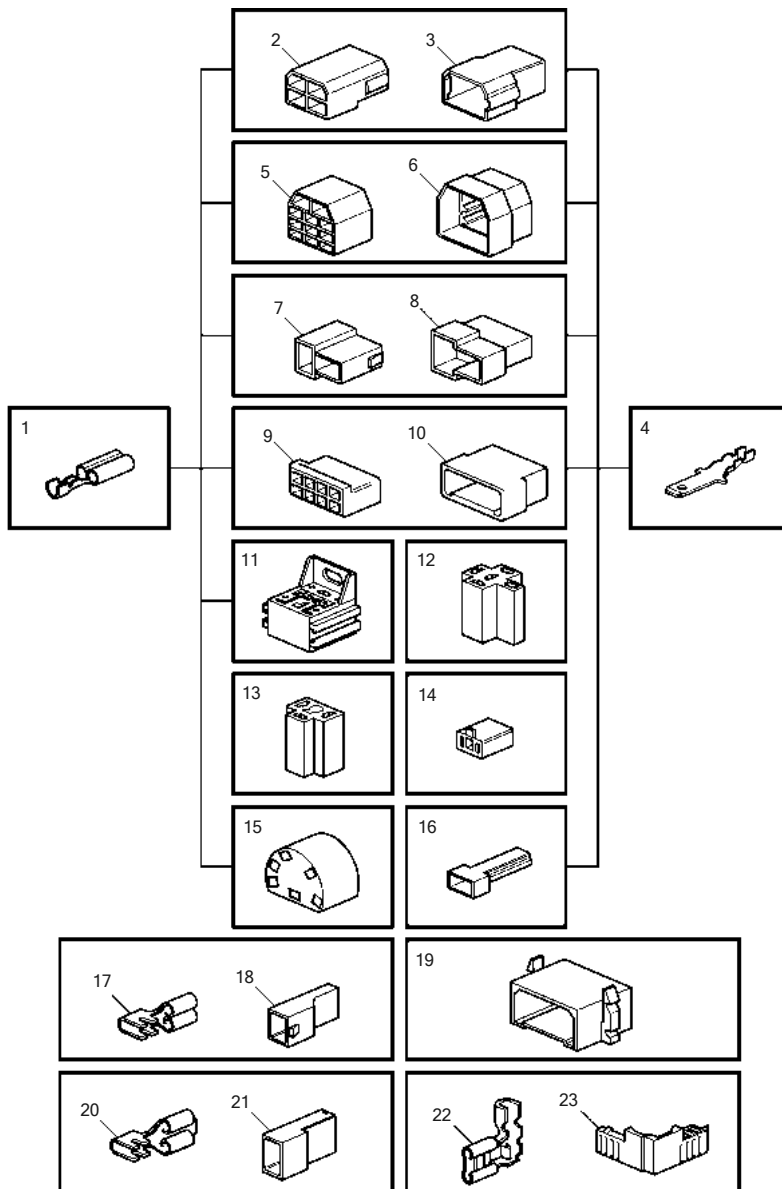
AD31L-A, AD31P-A, AD41L-A, AD41P-A, D41L-A, TAMD31L-A, TAMD31M-A, TAMD31P-A, TAMD31S-A, TAMD41H-A, TAMD41H-B, TAMD41P-A, TAMD41L-A, TAMD41M-A, TMD31L-A, TMD41L-A

REF	PART NO.	QTY	DESCRIPTION	NOTES
1	970624	1	Electric cable, type RK	1,5mm <sup>2</sup> , black
	970626	1	Electric cable, type RK	1,5mm <sup>2</sup> , red
	970661	1	Electric cable, type R2	1,5mm <sup>2</sup> , red
	(970663)	1	Electric cable, type R2	Obsolete part, 2,5mm <sup>2</sup> , black
	970698	1	Electric cable, type R2	2,5mm <sup>2</sup> , red
	970700	1	Electric cable, type RK	4,0mm <sup>2</sup> , black
	(970709)	1	Electric cable, type RK	Obsolete part, 6,0mm <sup>2</sup> , black
	970711	1	Electric cable, type R2	6,0mm <sup>2</sup> , red
	954485	1	Electric cable, type RK	16,0mm <sup>2</sup> , red
	(954500)	1	Electric cable, type RK	Obsolete part, 25,0mm <sup>2</sup> , red
	954502	1	Electric cable, type RK	35,0mm <sup>2</sup> , red
2	874854	1	Power cable	Non reinforced ship cable approved by classification societies., 2x1,5mm <sup>2</sup>
	(863657)	1	Cable	Obsolete part, Reinforced ship cable approved by classification societies., 4,0mm <sup>2</sup> , red
	874855	1	Power cable	Non reinforced ship cable approved by classification societies., 2x2,5mm <sup>2</sup>
	(842092)	1	Cable	Obsolete part, Non reinforced ship cable approved by classification societies., 3x1,5mm <sup>2</sup>
	(874858)	1	Power cable	Obsolete part, Non reinforced ship cable approved by classification societies., 6,0mm <sup>2</sup> , black
	(842090)	1	Cable	Obsolete part, Non reinforced ship cable approved by classification societies., 16,0mm <sup>2</sup> , red
	874861	1	Power cable	Non reinforced ship cable approved by classification societies., 25,0mm <sup>2</sup> , red
	874862	1	Power cable	Non reinforced ship cable approved by classification societies., 35,0mm <sup>2</sup> , red
	846639	1	Electric cable	Non reinforced ship cable approved by classification societies., 2x1,5mm <sup>2</sup>
	874870	1	Power cable	Non reinforced ship cable approved by classification societies., 2x1,5mm <sup>2</sup>
	846346	1	Cable	Replaced by wiring harness 872679 and adapter 872939
	(874346)	1	Electric cable	Obsolete part, Reinforced ship cable approved by classification societies., RFOU 0,6/1kv
	872679	1	Wiring harness	(846346)
3	872939	1	Adapter	(846346)
4	948211	1	Cable tie	3x1,5mm <sup>2</sup>
	949666	1	Cable tie, with mount. Hole	3x4,0mm <sup>2</sup>
	948616	1	Cable tie	3x6,0mm <sup>2</sup>
	980464	1	Cable tie	Obsolete part
	862832	1	Cable tie, steel	4x1,5mm <sup>2</sup>
	980881	1	Cable tie	
5	947827	1	Clamp	25,4mm
6	858283	1	Tape	4x2,5mm <sup>2</sup>
7	844280	1	Clip, battery cable +pole	16x1,5mm <sup>2</sup>
8	(844278)	1	Isolation	Obsolete part, Red
	(844279)	1	Isolation	Obsolete part, Black
9	954505	1	Cable terminal, battery cable -pole	D=77mm L=280mm
	954506	1	Cable terminal, battery cable +pole	D=42mm L=170mm
10	956956	1	Splice	D=102mm L=362mm
	956958	1	Splice	1,5-2,5mm <sup>2</sup> , blue
	956960	1	Splice	L=61mm
11	(926219)	1	Coupling piece	Obsolete part, Black
12	944306	1	Connector	Blue
13	829200	1	Protective cap	0,5-1,0mm <sup>2</sup> , red
14	(1234326)	1	Protecting casing	Obsolete part, 1,5-2,5mm <sup>2</sup> , blue
15	960140	1	Washer	3-6mm <sup>2</sup> , yellow
16	941269	1	Plug	Max 20mm <sup>2</sup> , 12-pole
	821053	1	Protecting bushing	I.D=35mm
	943920	1	Plug	I.D=40mm
17	20382270	1	Diode	
18	20382270	1	Diode	
19	970788	1	Cable terminal	M5x1,1-2,5mm <sup>2</sup>
	970789	1	Cable terminal	M6x1,1-2,5mm <sup>2</sup>

AD31L-A, AD31P-A, AD41L-A, AD41P-A, D41L-A, TAMD31L-A, TAMD31M-A, TAMD31P-A,  
TAMD31S-A, TAMD41H-A, TAMD41H-B, TAMD41P-A, TAMD41L-A, TAMD41M-A,  
TMD31L-A, TMD41L-A

REF	PART NO.	QTY	DESCRIPTION	NOTES
	(970791)	1	Cable terminal	Obsolete part, M10x1,1-2,5mm <sup>2</sup>
20	881492	1	Cable terminal	M4x1,1-2,5mm <sup>2</sup>
	881493	1	Cable terminal	M5x1,1-2,5mm <sup>2</sup>
	881508	1	Cable terminal	M6x1,1-2,5mm <sup>2</sup>
	881494	1	Cable terminal	M8x1,1-2,5mm <sup>2</sup>
	881504	1	Cable terminal	M10x1,1-2,5mm <sup>2</sup>
	881506	1	Cable terminal	M4x2,6-6,0mm <sup>2</sup>
	881495	1	Cable terminal	M5x2,6-6,0mm <sup>2</sup>
	881496	1	Cable terminal	M6x2,6-6,0mm <sup>2</sup>
	881497	1	Cable terminal	M8x2,6-6,0mm <sup>2</sup>
	881498	1	Cable terminal	M10x2,6-6,0mm <sup>2</sup>
	940331	1	Cable terminal	M5x6,1-10,0mm <sup>2</sup>
	(940332)	1	Cable terminal	Obsolete part, M6x6,1-10,0mm <sup>2</sup>
	940333	1	Cable terminal	M8x6,1-10,0mm <sup>2</sup>
	(940334)	1	Cable terminal	Obsolete part, M10x6,1-10,0mm <sup>2</sup>
	881512	1	Cable terminal	M5x10,1-16,0mm <sup>2</sup>
	940335	1	Cable terminal	M6x10,1-16,0mm <sup>2</sup>
	940336	1	Cable terminal	M8x10,1-16,0mm <sup>2</sup>
	940337	1	Cable terminal	M10x10,1-16,0mm <sup>2</sup>
21	949587	1	Cable terminal	M10x10mm <sup>2</sup>
22	8140576	1	Nut	M4
23	865758	1	Cable terminal	I.D=12,5 D=23mm
24	944485	1	Cable terminal	6,3xM5x180
25	839328	1	Tab	16,3x6,3x0,8
26	881491	1	Cable terminal	6,3x0,75-2,1mm <sup>2</sup>
27	853015	1	Cable terminal	For trim instrument., For 853866, Yasaki
28	942429	1	Cable terminal	For 853866, Yasaki
29	3829867	1	Cable terminal	
	3829868	1	Cable terminal	
30	970777	1	Cable terminal	
31	968377	1	Housing	2,8x2 natural
	968379	1	Housing	2,8x2 gray
32	968376	1	Housing	4,8/2,8x2 natural
	968378	1	Housing	4,8/2,8x2 gray
33	974313	1	Cable terminal	2,8x0,8x1,1-2,5mm <sup>2</sup>
34	968401	1	Housing	2,8x8 natural
35	968400	1	Housing	4,8/2,8x8 natural
36	976256	1	Housing	2-pole
37	967713	1	Housing	3-pole

AD31L-A, AD31P-A, AD41L-A, AD41P-A, D41L-A, TAMD31L-A, TAMD31M-A,  
 TAMD31P-A, TAMD31S-A, TAMD41H-A, TAMD41H-B, TAMD41P-A,  
 TAMD41L-A, TAMD41M-A, TMD31L-A, TMD41L-A

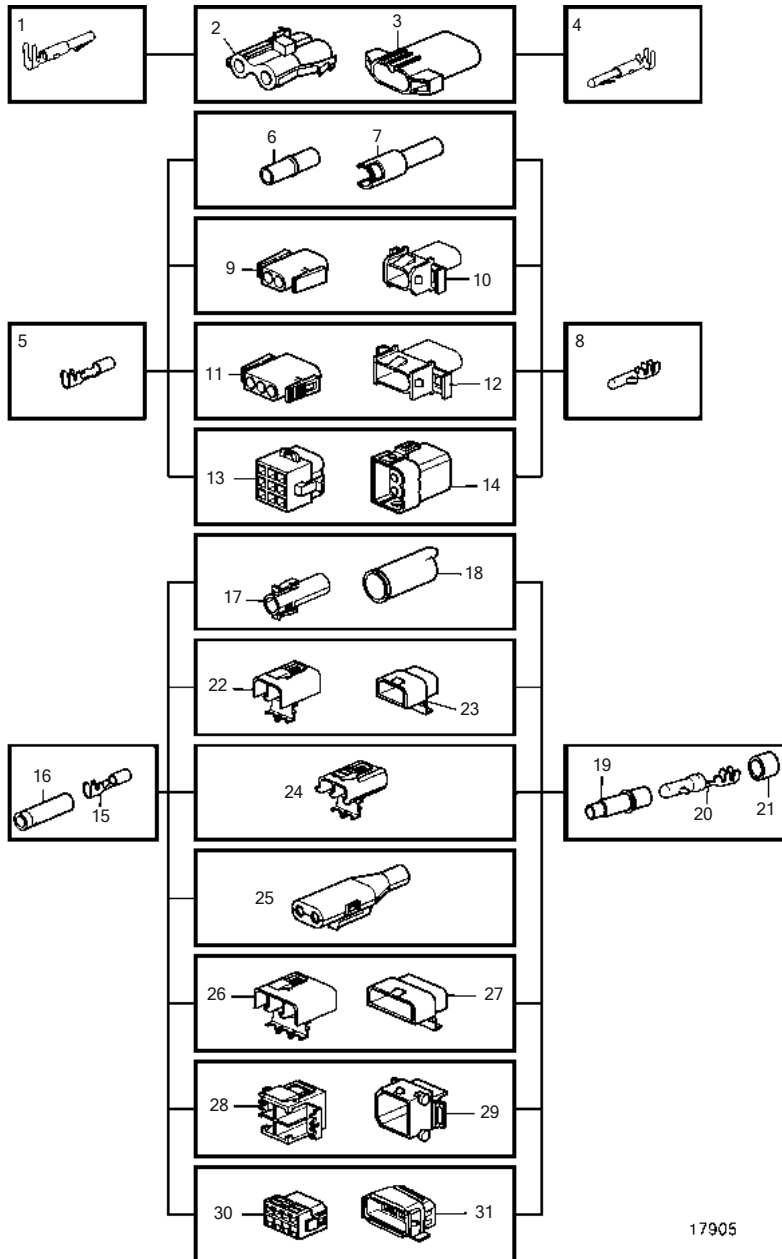


15819

AD31L-A, AD31P-A, AD41L-A, AD41P-A, D41L-A, TAMD31L-A, TAMD31M-A, TAMD31P-A, TAMD31S-A, TAMD41H-A, TAMD41H-B, TAMD41P-A, TAMD41L-A, TAMD41M-A, TMD31L-A, TMD41L-A

REF	PART NO.	QTY	DESCRIPTION	NOTES
1	973150	1	Cable terminal	6,3x0,8x1,1-2,5mm <sup>2</sup>
	949206	1	Cable terminal	6,3x0,8x4,0-6,0mm <sup>2</sup>
2	948856	1	Housing	6,3x4 natural
3	948855	1	Housing	6,3x4 natural
4	973117	1	Cable terminal	6,3x0,8x0,5-1,0mm <sup>2</sup>
	881487	1	Cable terminal	6,3x0,8x0,75-2,5mm <sup>2</sup>
	881488	1	Cable terminal	6,3x0,8x4,0-6,0mm <sup>2</sup>
5	945830	1	Housing	6,3x11 natural
6	945831	1	Tab housing	6,3x11 natural
7	958210	1	Housing	6,3x2 black
8	958209	1	Housing	6,3x2 black
9	944076	1	Housing	6,3x8 natural
10	948857	1	Housing	6,3x8 natural
11	977184	1	Housing	6,3x5x4,8/2,8x4
12	1214948	1	Housing	6,3x5 black
13	945469	1	Housing	6,3x3 black
14	1578937	1	Housing	6,3x2 natural
15	828624	1	Receptacle housing	6,3x6
16		1	Housing	6,3x1 black
17	949405	1	Cable terminal	4,8x1,1-2,5mm <sup>2</sup>
18	947848	1	Housing	4,8x1 natural
19	944077	1	Housing	6,3x8 natural
20	881483	1	Cable terminal	6,3x0,8x1,1-2,5mm <sup>2</sup>
	881484	1	Cable terminal	6,3x0,8x4,0-6,0mm <sup>2</sup>
21	949597	1	Housing	6,3x1 natural
	943511	1	Housing	6,3x1 natural
22	881489	1	Cable terminal	6,3x0,8x1,1-2,5
23	944221	1	Housing	6,3x1 natural

AD31L-A, AD31P-A, AD41L-A, AD41P-A, D41L-A, TAMD31L-A, TAMD31M-A,  
 TAMD31P-A, TAMD31S-A, TAMD41H-A, TAMD41H-B, TAMD41P-A,  
 TAMD41L-A, TAMD41M-A, TMD31L-A, TMD41L-A

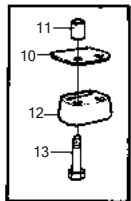
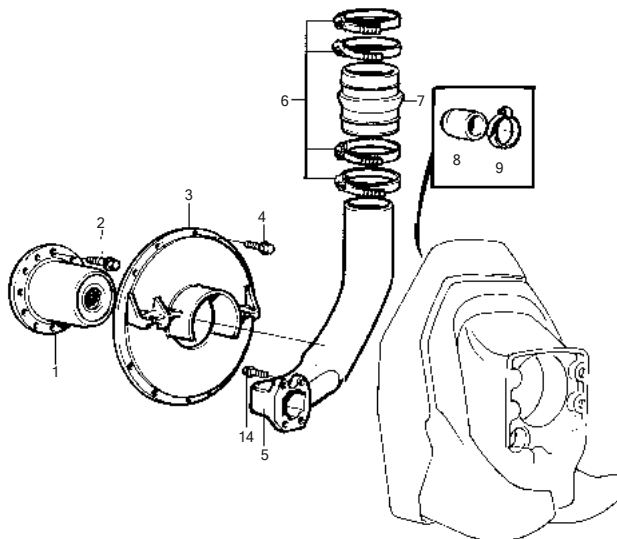


17905

AD31L-A, AD31P-A, AD41L-A, AD41P-A, D41L-A, TAMD31L-A, TAMD31M-A, TAMD31P-A, TAMD31S-A, TAMD41H-A, TAMD41H-B, TAMD41P-A, TAMD41L-A, TAMD41M-A, TMD31L-A, TMD41L-A

REF	PART NO.	QTY	DESCRIPTION	NOTES
1	946038	1	Cable terminal	2,1x0,5-1mm <sup>2</sup>
2	944224	1	Housing	2-pole
3	944223	1	Housing	2-pole
4		1	Cable terminal	Not marketed by Volvo Penta., 2,1x0,5-1mm <sup>2</sup>
5	965822	1	Cable terminal	3,5x1,1-2,5mm <sup>2</sup>
	948289	1	Cable terminal	3,5x2,5-4,0mm <sup>2</sup>
6	949584	1	Housing	3,5x1 natural
7	949583	1	Housing	3,5x1 natural
8	969831	1	Cable terminal	3,5x0,5-1mm <sup>2</sup>
	965824	1	Cable terminal	3,5x1,1-2,5mm <sup>2</sup>
	965825	1	Cable terminal	3,5x2,6-4,0mm <sup>2</sup>
9	948996	1	Housing	3,5x2 natural
10	948995	1	Housing	3,5x2 natural
11	948296	1	Housing	3,5x3 natural
12	948297	1	Housing	3,5x3 natural
13	948294	1	Housing	3,5x9 natural
14	948295	1	Housing	3,5x9 natural
15	949371	1	Cable terminal	3,5x0,75-1,5mm <sup>2</sup>
	1598753	1	Insulator	3,5x2,5-4,5mm <sup>2</sup>
16	1598753	1	Insulator	
17	1307035	1	Housing	1-pole
18	1308436	1	Housing	1-pole
19	1608765	1	Insulator	
20	965824	1	Cable terminal	3,5x2,5-4,5mm <sup>2</sup>
21	1608766	1	Sealing	
22	1307048	1	Housing	2-pole
23	1307049	1	Housing	2-pole
24	970753	1	Housing	2-pole
25	1624477	1	Housing	2-pole
26	1259828	1	Housing	3-pole
27	3523442	1	Pin housing	3-polig (1259829)
28	1259830	1	Housing	4-pole
29	1259831	1	Housing	4-pole
30	966812	1	Housing	8-pole
31	967809	1	Housing	8-pole

AD31L-A, AD31P-A

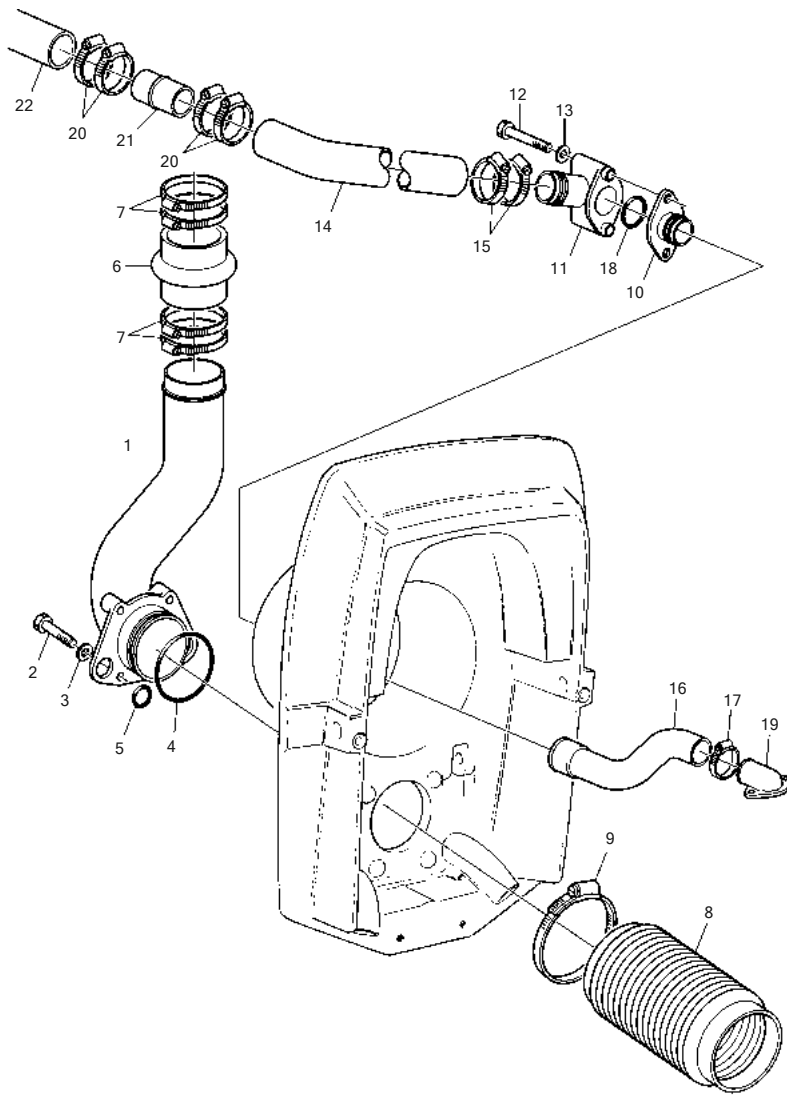


15591

AD31L-A, AD31P-A

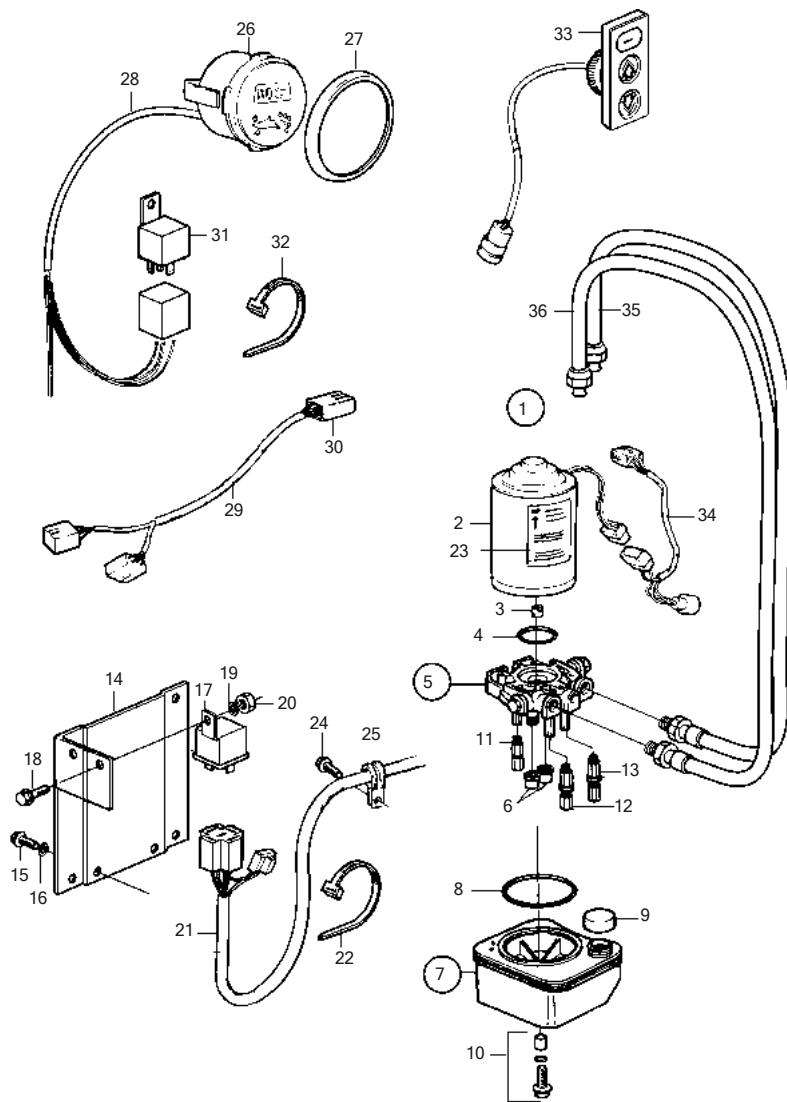
REF	PART NO.	QTY	DESCRIPTION	SEE SEC.	NOTES
1	3858749	1	Oscillation damper		
2	946671	9	Flange screw		
3	3851216	1	Flywheel housing		
4	946752	9	Flange screw		
5	3851217	1	Exhaust pipe		
6	853012	4	Hose clamp		
7	860396	1	Exhaust hose		
8	845422	1	Plastic plug		
9	961667	1	Hose clamp		
10	(3856112)	1	Gasket		Obsolete part
11	3851823	2	Spacer		
12	3854130	1	Anode		
			• Bulletin P-44-1-1	P-44-1-1-EN	Anodes, SX AND DP-S
13	940172	2	Hexagon screw		
14	3841928	4	Flange screw		





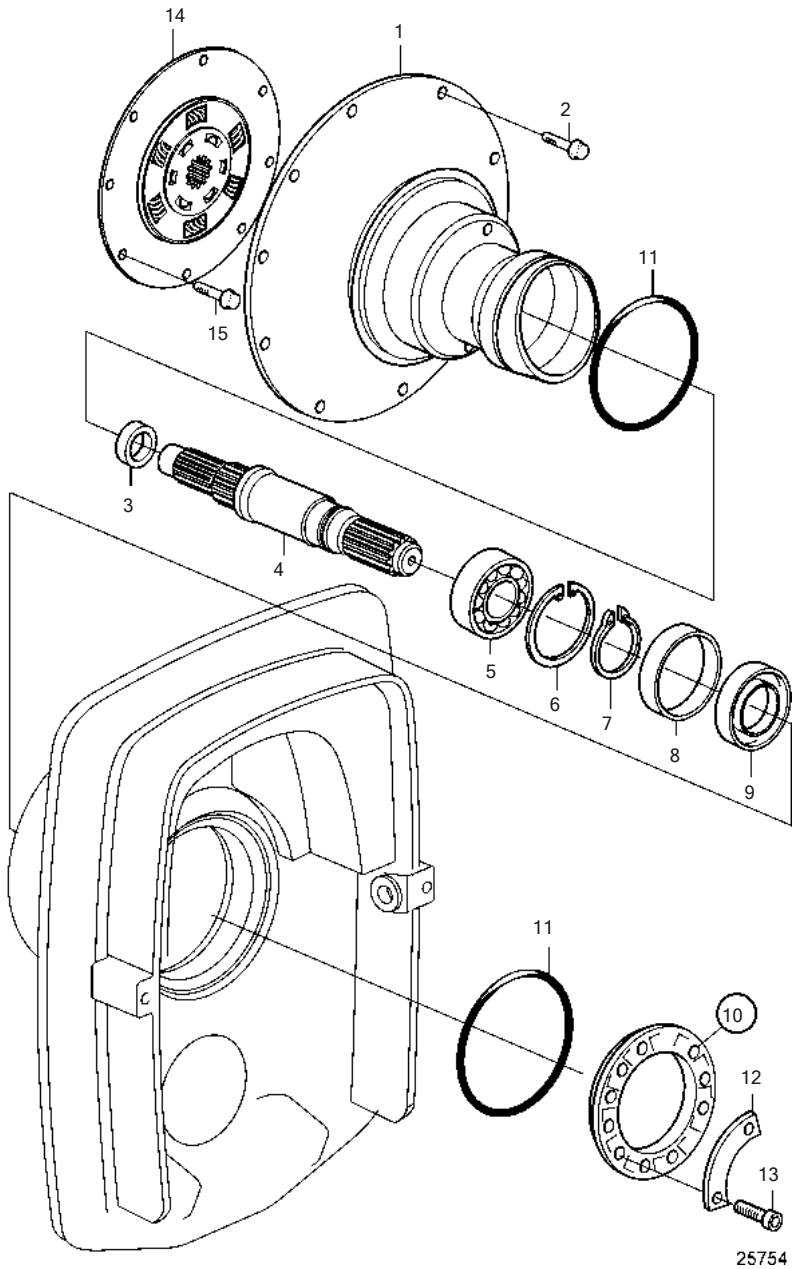
23061

REF	PART NO.	QTY	DESCRIPTION	NOTES
1	3581130	1	Exhaust pipe	(873114)
2	947790	4	Flange screw	
3	976945	4	Washer	
4	925256	1	O-ring	
5	925064	2	O-ring	
6	860396	1	Exhaust hose	
7	982694	4	Hose clamp	
8	876631	1	Bellows kit	
9	872531	2	• Hose clamp	
10	872334	1	Nipple	
11	872338	1	Hose connection	
12	955516	2	Hexagon screw	
13	955893	2	Washer	
14	861742	1	Hose	Intake-sea water pump.
15	961669	2	Hose clamp	
16	876632	1	Hose kit	
17	853548	1	• Hose clamp	
18	925064	1	• O-ring	
19	872752	1	Hose connection	
20	961669	4	Hose clamp	
21	861090	1	Tube	
22		1	Hose	Intake-sea water pump., See group 26



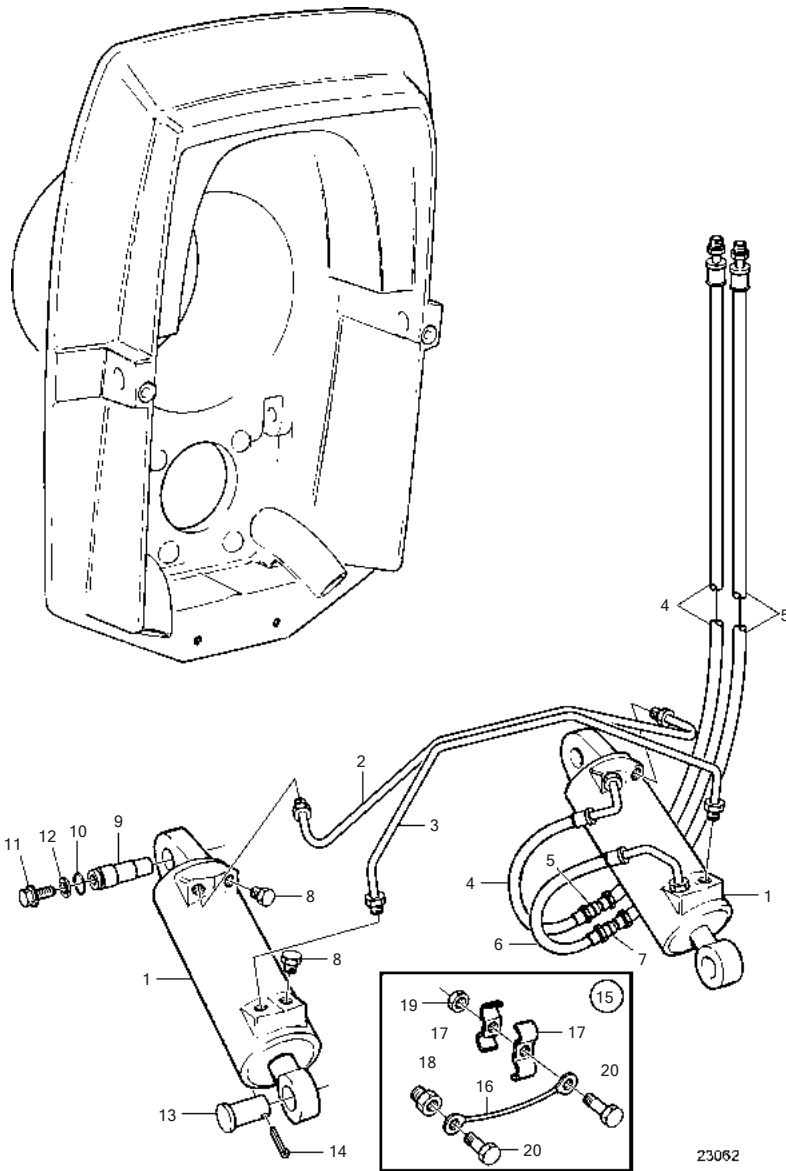
22063

REF	PART NO.	QTY	DESCRIPTION	SEE SEC.	NOTES
1	873051	1	Hydraulic pump		Repl by 3857265
	3857265	1	Hydraulic pump		
	3861027	1	Kit		
2	854525	1	• Electrical motor		
3	3858072	1	• • Connector		
4	3858073	1	• • O-ring		
5	(854528)	1	• Valve housing		For 873051, Obsolete part
	3857003	1	• Adapter		For 3857265
6	3858076	2	• • Filter		
7	(854531)	1	• Reservoir		Obsolete part
8	3858078	1	• • Sealing		
9	3858079	1	• • Cardboard tube		
10	854534	1	• • Small parts kit		
11	854535	1	• Hydraulic pump		
12	873057	1	• Delivery valve		
13	854537	1	• Pressure box		
14	854438	1	• Bracket		
15	970945	2	• Hexagon screw		
16	941908	2	• Spring washer		
17	854357	2	• Relay		
18	948663	2	• Flange screw		
19	941905	2	• Spring washer		
20	955780	2	• Hexagon nut		
21		X	• cables and terminals		See group 30
22	948211	1	• Cable tie		
23	853097	1	• Sign		
24	968476	4	• Flange screw		
25	952630	4	• Clamp		
26	872498	1	Trimmer		
27	858643	1	Front ring		
28	856821	1	Cable kit		
29	853066	1	Cable trunk		For double steering positions.
30		X	• cables and terminals		See group 30
31	1324492	2	Relay		Replaced by relay 1324492 and mounting instruction., 12V 30A
	1324492	2	Relay		Nb! changed polarity. see mounting instruction., With built in diod
32	949666	X	Cable tie		
33	3855650	1	Control panel		(873617), (853846)
34	853032	1	Cable trunk		
	948294	X	• Housing		9-pole
	965822	X	• Cable terminal		3.5x1x2.5
	(853498)	X	• Anode kit		3-pole, Obsolete part
	853521	X	• Cable terminal		For 853498
35	873228	1	Hydraulic hose	592	
36	873229	1	Hydraulic hose	592	



25754

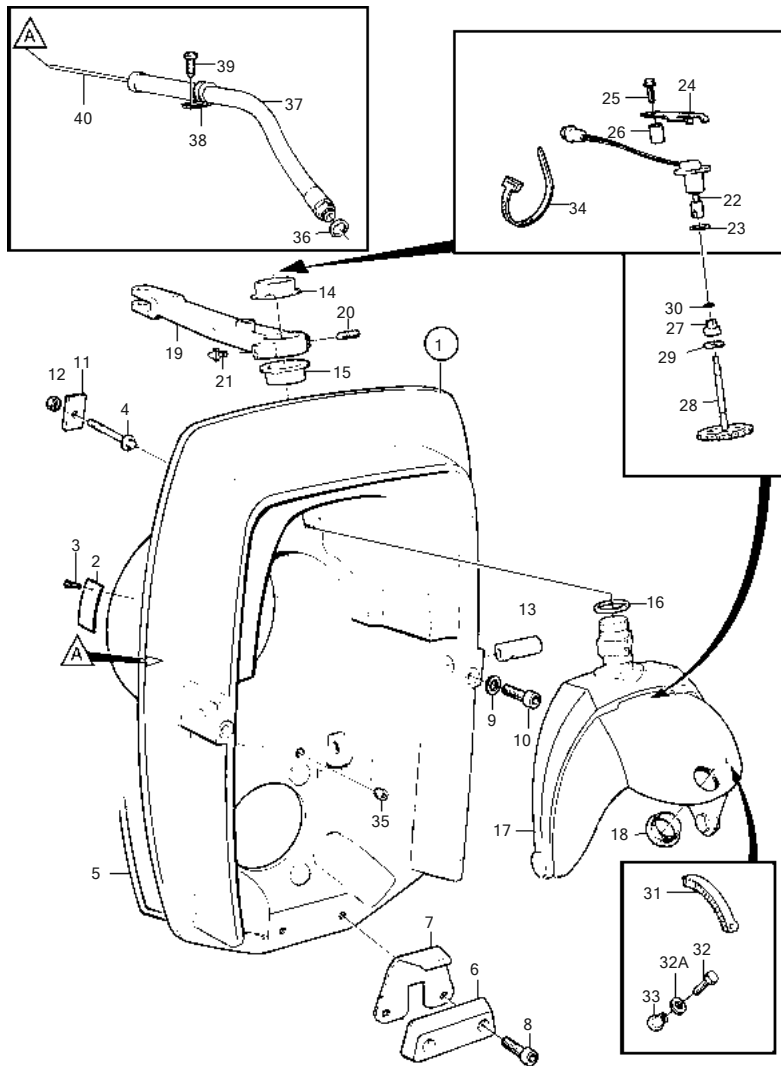
REF	PART NO.	QTY	DESCRIPTION	NOTES
1	872836	1	Flywheel housing	Repl by 3860991
	3860991	1	Flywheel housing	
2	946752	10	Flange screw	L=35mm
	946752	9	Flange screw	L=35mm, alt AD31
	965185	1	Flange screw	L=40mm, alt AD31
3	872761	1	Bushing	
4	873013	1	Primary shaft	
5	184841	1	Ball bearing	
6	914533	1	Snap ring	
7	914462	1	Snap ring	
8	872991	1	Bushing	
9	958860	1	Sealing ring	
10	854317	1	Clamping ring kit	
11	813967	2	• Rubber ring	
12	806624	3	• Striker plate	
13	191844	6	• Hexagon screw	
14	855389	1	Absorber	D31
	855617	1	Oscillation damper	D41
15	946173	6	Flange screw	



23062

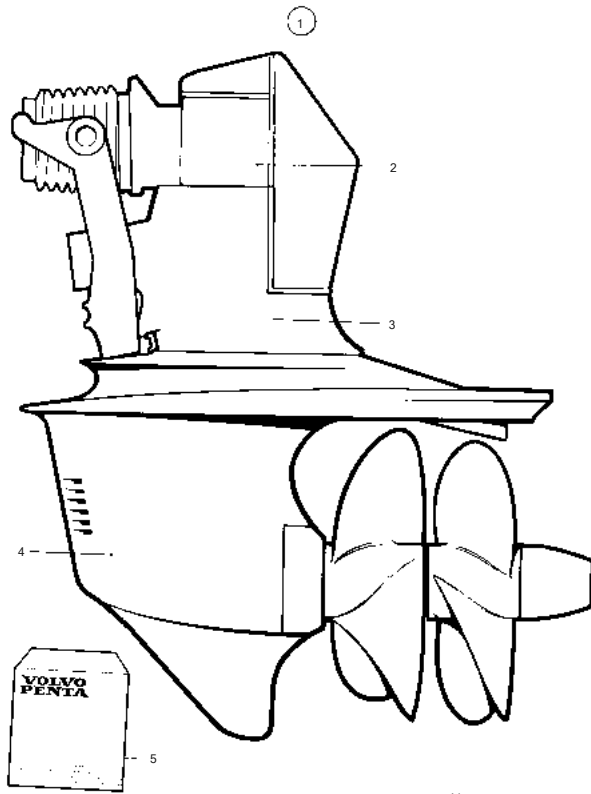
REF	PART NO.	QTY	DESCRIPTION
1	3860881	2	Cylinder
2	854696	1	Tube
3	854697	1	Tube
4	873228	1	Hydraulic hose
5	960214	1	• O-ring
6	873229	1	Hydraulic hose
7	960214	1	• O-ring
8	852879	2	Plug
9	872382	2	Spindle
10	925053	2	O-ring
11	853060	2	Flange screw
12	853059	2	Washer
13	872126	2	Clevis pin
14	967707	2	Split pin
15	854625	1	Set, assy.
16		1	• Ground cable
17	854628	2	• Clamp
18	872207	1	• Nipple
19	944456	1	• Hexagon nut
20	963545	2	• Hexagon screw



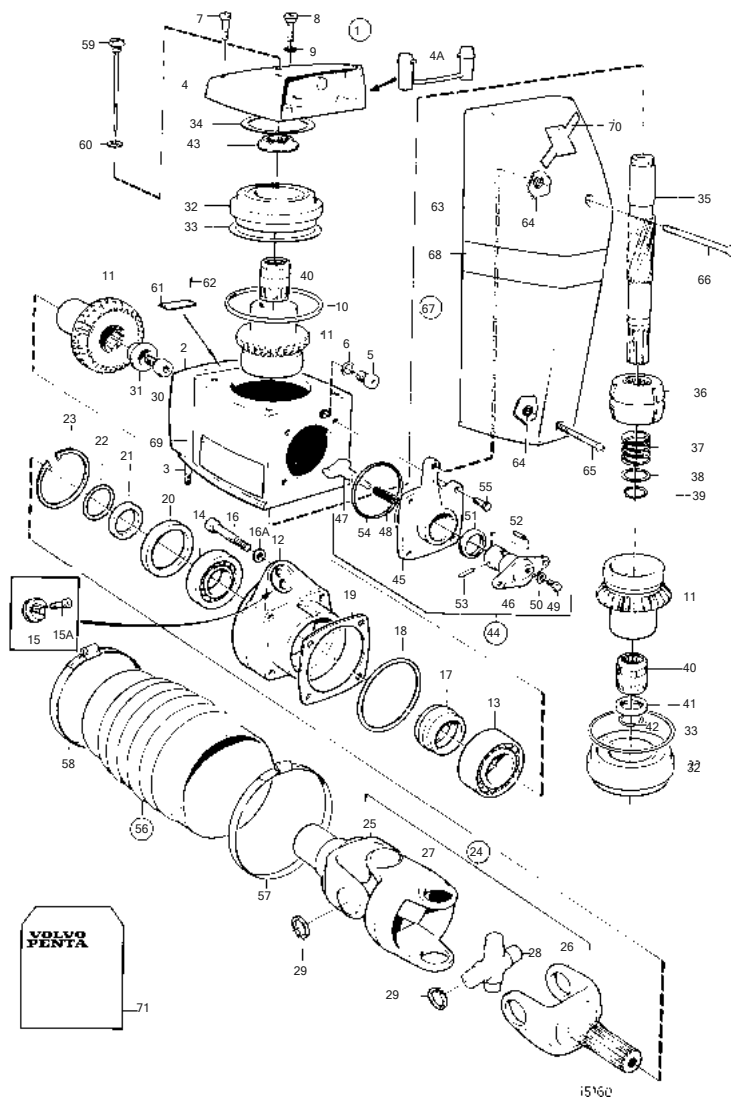


18696

REF	PART NO.	QTY	DESCRIPTION	SEE SEC.	NOTES
1	876630	1	Shield		
2	853706	1	• Type plate		
3	804269	2	• Drive screw		
4	873316	6	Stud		
5	852868	X	Sealing strip		L=1750mm
6	852835	1	Zinc electrode		Alt
	873178	1	Magnesium anode		To be used in fresh-water., Alt
7	(872963)	1	Support plate		Obsolete part
8	946541	2	Hex. socket screw		
9	941670	2	Washer		
10	963699	2	Hex. socket screw		
11	852866	6	Washer		
12	963108	6	Lock nut		
13	872493	2	Spindle		
14	854705	1	Bushing		
15	854704	1	Bushing		
16	977313	1	Sealing ring		
17	872845	1	Steering yoke		
18	853048	1	• Bushing		
19	872722	1	Spindle arm		
20	947904	1	Set screw		
21	914169	1	Lubricating nipple		
22	873531	1	Sensor		
23	955991	1	O-ring		
24	853039	1	Bracket		
25	955298	1	Hexagon screw		
26	872355	1	Spacer sleeve		
27	851430	1	Bushing		
28	852984	1	Driving wheel		
29	966207	1	Sealing ring		
30	925050	1	O-ring		
31	872812	1	Gear segment		
32	853759	1	Screw		
32A	941907	1	Spring washer		
33	853760	1	Rivet nut		
34	948211	1	Cable tie		
35	853215	2	Plug		
36	897745	1	Gasket		
37	839091	1	Protecting hose		
38	952635	1	Clamp		
39	955512	1	Hexagon screw		
40		1	Control cable	231	

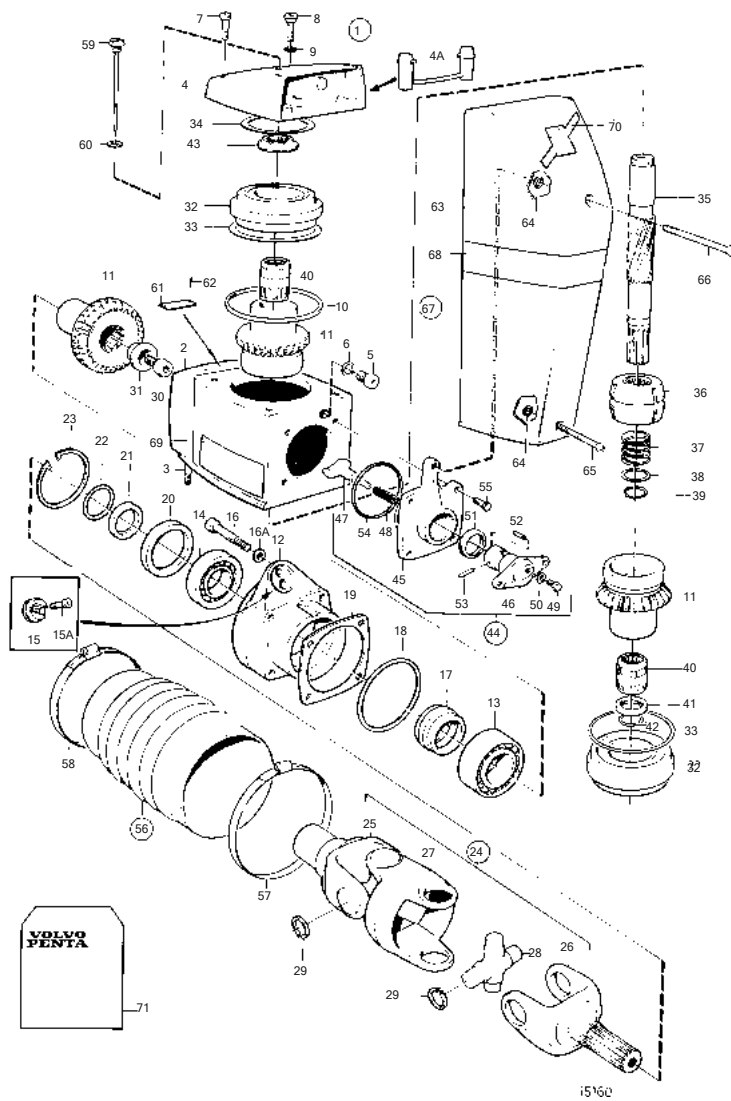


REF	PART NO.	QTY	DESCRIPTION	SEE SEC.	NOTES
1	3868022	1	Aquamatic drive		Ratio 1.78:1
2	3858785	1	• Upper gear	612	
	3803483	1	• Upper gear, exch, exch	612	
3		1	• Intermediate housing	614	
4	872769	1	• Lower gear	616	Ratio 1.78:1
5	876266	1	Gasket kit, upper gear		See group 99
	876267	1	Gasket kit, lower gear		See group 99



REF	PART NO.	QTY	DESCRIPTION	SEE SEC.	NOTES
1	873002	1	Gear		Repl by 3858785
2	854571	1	• Gear housing		
3	977241	2	• Stud		
4	854677	1	• Cardboard tube		
4A	(854198)	1	• Plastic plug		Obsolete part
5	981965	1	• Plug		
6	897682	1	• Gasket		Included in gasket kit.
7	941807	3	• Hex. socket screw		
8	814643	1	• Hollow screw		
9	955989	1	• O-ring		Included in gasket kit.
10	832669	1	• Gasket		Included in gasket kit.
11		1	• Gear set		Replaced by 1pcs 873313, gear set, 1pcs 3855783, sliding sleeves, and 1pcs 3856502, dog.
	873313	1	• Gear		
12	854025	1	• Bearing box		
13	3850852	1	• Bearing		
14	183247	1	• Roller bearing		
15	852705	1	• Pivot pin		
15A	941807	2	• Hex. socket screw		
16	984068	4	• Hex. socket screw		
16A	942598	4	• Washer		
17	853484	1	• Pretensioning sleeve		
18	967344	1	• O-ring		Included in gasket kit.
19	853034	X	• Shim		TH=0.10mm
	853035	X	• Shim		TH=0.15mm
	853036	X	• Shim		TH=0.35mm
20	839253	1	• Sealing ring		Included in gasket kit.
21	832675	1	• Washer		
22	956000	1	• O-ring		Included in gasket kit.
23	914538	1	• Snap ring		
24	3860230	1	• Universal joint		
			• Bulletin P-44-1-5	P-44-1-5-EN	U-joints
25	854616	1	• • Fork		
26	854617	1	• • Fork		
27	854618	1	• • Intermediate section		
28	854619	2	• • Spider		
29	24383	8	• • Lock ring		
30	3852309	1	• Screw		
31	853026	1	• Washer		
32	854670	2	• Ball bearing		
33	943869	X	• Shim		TH=0.05mm
	946179	X	• Shim		TH=0.10mm
	943870	X	• Shim		TH=0.20mm
34	941826	X	• Shim		TH=0.05mm
	941827	X	• Shim		TH=0.20mm
	948230	X	• Shim		TH=0.35mm
35	3852292	1	• Shaft		
36	3852293	1	• Sliding sleeve		Replaced by 1pcs 3855783, sliding sleeves, and 1pcs 3856502, dog.
			• Bulletin P-44-1-8	P-44-1-8-EN	Shift mechanism, shift cone and shoe
			• Bulletin P-44-1-18	P-44-1-18-EN	Shift Cone
36	3855783	1	• Sliding sleeve		
			• Bulletin P-44-1-18	P-44-1-18-EN	Shift Cone
37	3852296	1	• Spring		
38	3852298	1	• Spacer		
39	951078	1	• Snap ring		
40	3852390	2	• Bearing		
41	3852294	1	• Ring		
42	3852295	2	• Locking clip		
43	3852301	1	• Nut		0.0mm
	3852302	1	• Nut		0.2mm
	3852303	1	• Nut		0.4mm
	3852375	1	• Nut		0.6mm
44		1	• Shift mechanism		
45	3855785	1	• • Bearing housing		
46	3856008	1	• • Plunger		
47	839646	1	• • Dog		
	3856502	1	• • Dog		
48	814184	1	• • Spring		Obsolete part
49	897711	1	• • Hexagon screw		
50	897871	X	• • Shim		
51	853868	1	• • Sealing ring		

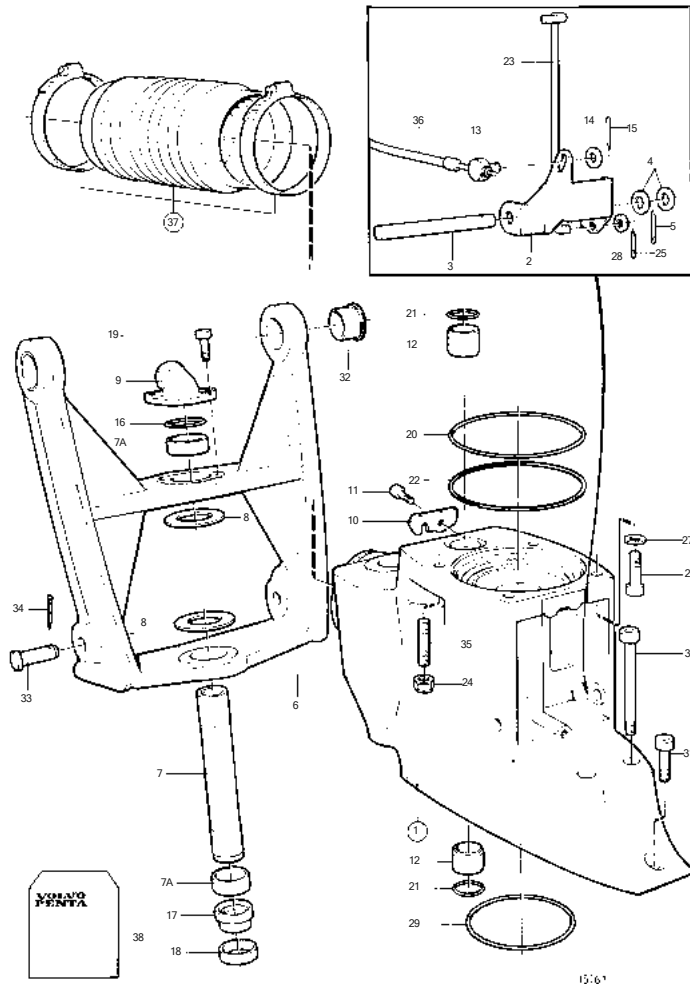
REF	PART NO.	QTY	DESCRIPTION	SEE SEC.	NOTES
52	951924	1	• • Spring pin		
53	942871	1	• • Clevis pin		
54	925093	1	• • O-ring		Included in gasket kit.
55	940169	4	• Hexagon screw		
56	876294	1	• Bellows kit		
			• Bulletin P-44-1-11	P-44-1-11-EN	DPH/DPR U-Joint Bellows
57	22274888	1	• • Hose clamp		
58	853012	1	• • Hose clamp		
59	839351	1	• Oil dipstick		
60	955974	1	• O-ring		Included in gasket kit.
61	853706	1	• Type plate		
62	804269	2	• Drive screw		
63	854604	1	Protecting cover		Included in complete drive.
64	925052	2	O-ring		Included in complete drive.
65	854661	1	Screw		Included in complete drive.
66	872027	1	Screw		Included in complete drive.
67	876636	1	Decal set		
68	872866	1	• Decal		Included in gasket kit.
69	872868	1	• Decal		Included in complete drive., P
	872867	1	• Decal		Included in complete drive., S.B
70	854144	1	Sign		Included in complete drive.
71	876266	1	Gasket kit, upper gear		See group 99



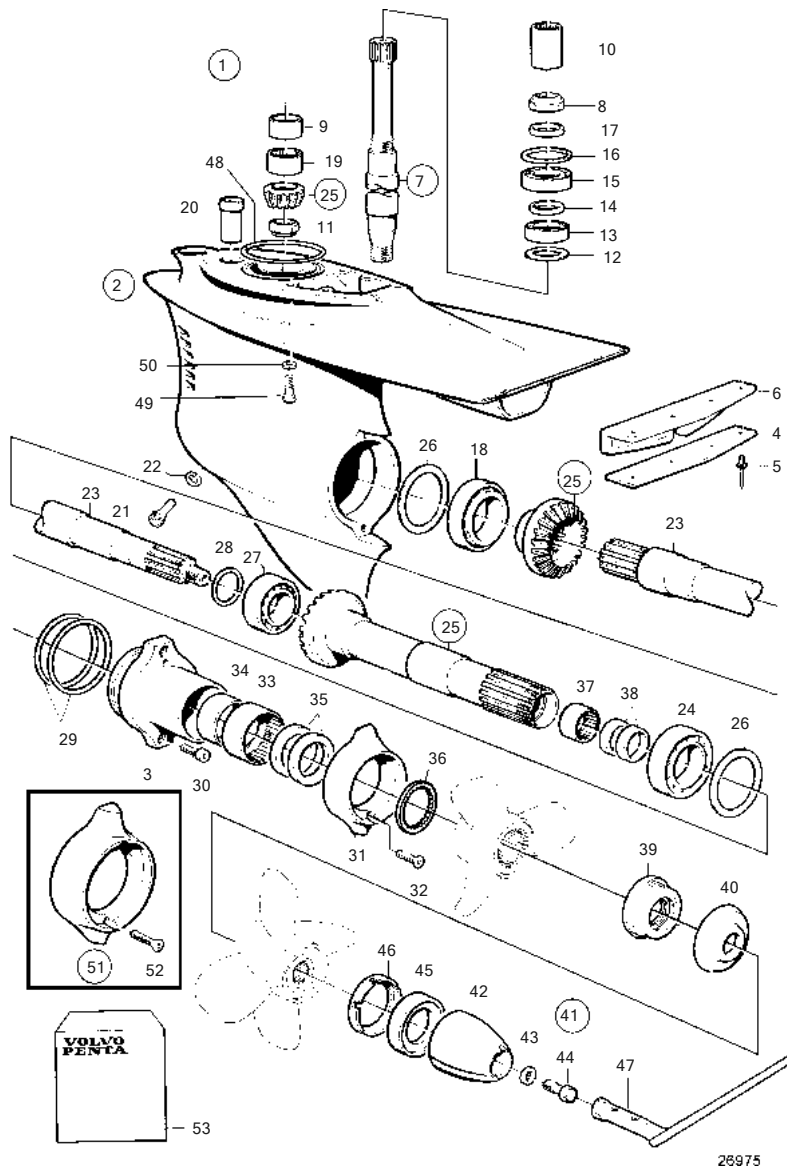


REF	PART NO.	QTY	DESCRIPTION	SEE SEC.	NOTES
1	3858785	1	Upper gear		
	3803483	1	Upper gear, exch, exch		
2	3856812	1	• Gear housing		
3	977241	2	• Stud		
4	3857149	1	• Cardboard tube		
4A	(854198)	1	• Plastic plug		Obsolete part
5	981965	1	• Plug		
6	897682	1	• Gasket		Included in gasket kit.
7	941807	3	• Hex. socket screw		
8	814643	1	• Hollow screw		
9	955989	1	• O-ring		Included in gasket kit.
10	832669	1	• Gasket		Included in gasket kit.
11		1	• Gear set		Replaced by 1pcs 873313, gear set, 1pcs 3855783, sliding sleeves, and 1pcs 3856502, dog.
	873313	1	• Gear		
12	3857144	1	• Bearing box		
13	3850852	1	• Bearing		
14	183247	1	• Roller bearing		
15	852705	1	• Pivot pin		
15A	941807	2	• Hex. socket screw		
16	984068	4	• Hex. socket screw		
16A	942598	4	• Washer		
17	853484	1	• Pretensioning sleeve		
18	967344	1	• O-ring		Included in gasket kit.
19	853034	X	• Shim		TH=0.10mm
	853035	X	• Shim		TH=0.15mm
	853036	X	• Shim		TH=0.35mm
20	839253	1	• Sealing ring		Included in gasket kit.
21	832675	1	• Washer		
22	956000	1	• O-ring		Included in gasket kit.
23	914538	1	• Snap ring		
24	3860230	1	• Universal joint		
			Bulletin P-44-1-5	P-44-1-5-EN	U-joints
30	3860364	1	• Screw		
31	853026	1	• Washer		
33	943869	X	• Shim		TH=0.05mm
	946179	X	• Shim		TH=0.10mm
	943870	X	• Shim		TH=0,20mm
34	941826	X	• Shim		TH=0.05mm
	941827	X	• Shim		TH=0,20mm
	948230	X	• Shim		TH=0.35mm
35	3852292	1	• Shaft		
36	3852293	1	• Sliding sleeve		Replaced by 1pcs 3855783, sliding sleeves, and 1pcs 3856502, dog.
			Bulletin P-44-1-8	P-44-1-8-EN	Shift mechanism, shift cone and shoe
			Bulletin P-44-1-18	P-44-1-18-EN	Shift Cone
36	3855783	1	• Sliding sleeve		
			Bulletin P-44-1-18	P-44-1-18-EN	Shift Cone
37	3852296	1	• Spring		
38	3852298	1	• Spacer		
39	951078	1	• Snap ring		
40	3852390	2	• Bearing		
41	3852294	1	• Ring		
42	3852295	2	• Locking clip		
43	3852301	1	• Nut		0.0mm
	3852302	1	• Nut		0.2mm
	3852303	1	• Nut		0.4mm
	3852375	1	• Nut		0.6mm
44	3855787	1	• Shift unit		
45	3855785	1	• • Bearing housing		
46	3856008	1	• • Plunger		
47	3856502	1	• • Dog		
48	814184	1	• • Spring		Obsolete part
49	897711	1	• • Hexagon screw		
50	897871	X	• • Shim		
51	853868	1	• • Sealing ring		
52	973593	1	• • Spring pin		
53	942871	1	• • Clevis pin		
54	925093	1	• • O-ring		Included in gasket kit.
55	940169	4	• Hexagon screw		
56	876294	1	• Bellows kit		

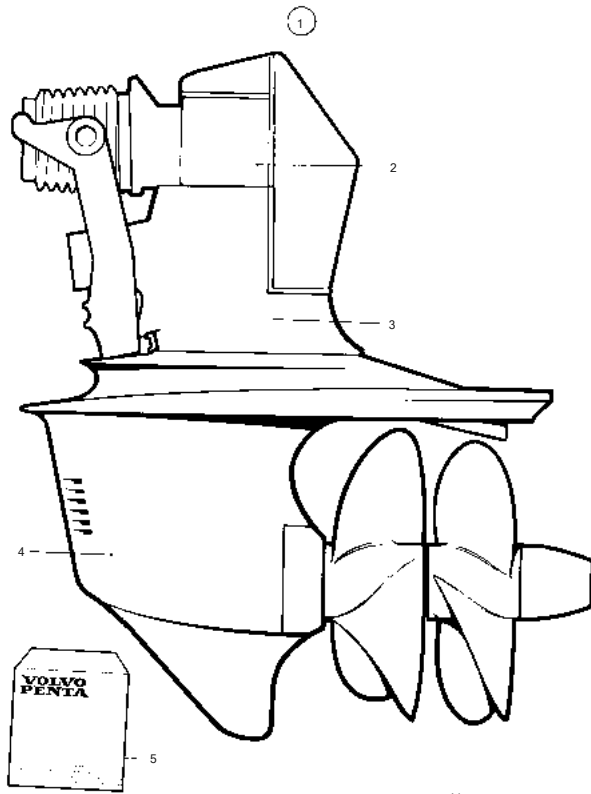
REF	PART NO.	QTY	DESCRIPTION	SEE SEC.	NOTES
			Bulletin P-44-1-11	P-44-1-11-EN	DPH/DPR U-Joint Bellows
57	22274888	1	• • Hose clamp		
58	853012	1	• • Hose clamp		
59	839351	1	• Oil dipstick		
60	955974	1	• O-ring		Included in gasket kit.
61	853706	1	• Type plate		
62	804269	2	• Drive screw		
63	854604	1	Protecting cover		Included in complete drive.
64	925052	2	O-ring		Included in complete drive.
65	854661	1	Screw		Included in complete drive.
66	872027	1	Screw		Included in complete drive.
67	876636	1	Decal set		
68	872866	1	• Decal		Included in gasket kit.
69	872868	1	• Decal		Included in complete drive., P
	872867	1	• Decal		Included in complete drive., S,B
70	854144	1	Sign		Included in complete drive.
71	876266	1	Gasket kit, upper gear		See group 99



REF	PART NO.	QTY	DESCRIPTION	SEE SEC.	NOTES
1	872850	1	Intermediate housing		
2	872977	1	• Yoke		
3	897447	1	• Shaft		
4	941670	2	• Washer		
5	17253	1	• Split pin		Included in gasket kit.
6	872853	1	Fork		
7	872753	1	Steering knuckle		
7A	872756	2	Bearing bushing		
8	3860808	1	Shim kit		
9	872752	1	Hose connection		
10	872940	1	Cable attachment		
11	940168	1	Hexagon screw		
12	872986	2	Sleeve		
13	3852329	1	Cube		
14	940191	1	Washer		
15	17276	1	Split pin		Included in gasket kit.
16	979254	1	O-ring		
17	873534	1	Retainer		
18	872755	1	Sealing ring		Included in gasket kit.
19	940169	2	Hexagon screw		
20	925259	1	O-ring		Included in gasket kit.
21	125017	2	O-ring		Included in gasket kit.
22	941826	X	Shim		TH=0.05mm
	941827	X	Shim		TH=0.20mm
	948230	X	Shim		TH=0.35mm
23	872822	1	Control rod		
24	941885	2	Lock nut		
25	17253	1	Split pin		Included in gasket kit.
26	959456	2	Hex. socket screw		
27	853095	2	Washer		
28	940191	1	Washer		
29	925256	1	O-ring		Included in gasket kit.
30	941808	2	Hex. socket screw		
31	941809	1	Hex. socket screw		
32	876507	1	Bushing kit		Included in gasket kit.
33	872126	2	Clevis pin		
34	967707	2	Split pin		
35	977241	2	Stud		
36		1	Control cable	231	
37		1	Bellows kit		
38	876266	1	Gasket kit, upper gear		See group 99
	876267	1	Gasket kit, lower gear		See group 99



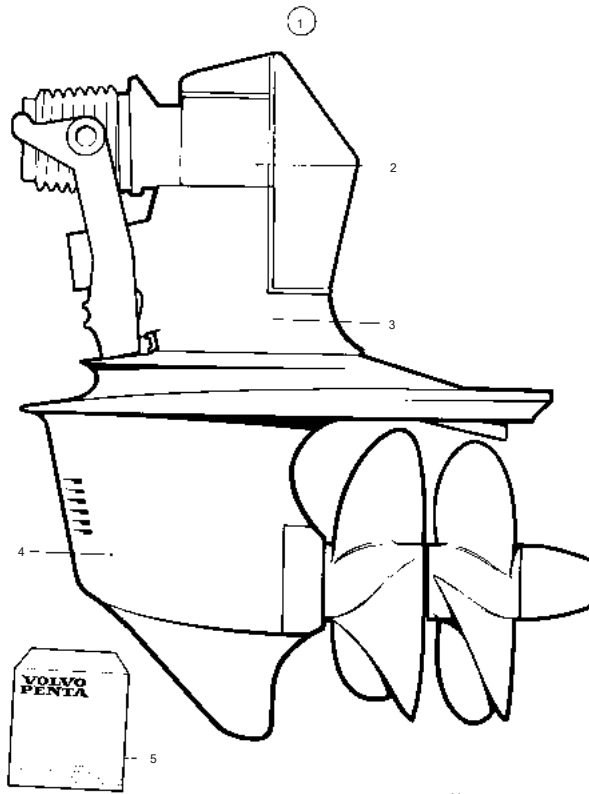
REF	PART NO.	QTY	DESCRIPTION	NOTES
1	872769	1	Lower gear	Ratio 1.78:1
2	3855628	1	• Gear housing	
3	854053	1	• • Bearing housing	
4	872439	1	• • Attaching plate	
5	977711	4	• • Blind rivet	
6	872438	1	• • Check valve	
7	854611	1	• Countershaft	
8	969071	1	• • Round nut	Included in gasket kit.
9	184682	1	• • Inner ring	
10	3852268	1	• • Splined sleeve	
11	852212	1	• Nut	Included in gasket kit.
12	941832	X	• Shim	TH=0.05mm
	941833	X	• Shim	TH=0.20mm
13	183374	1	• Ball bearing	
14	944970	X	• Shim	
15	11072	1	• Roller bearing	
16	944522	X	• Shim	TH=0.05mm
	42981	X	• Shim	TH=0.10mm
	968057	X	• Shim	TH=0.20mm
	42980	X	• Shim	TH=0.35mm
17	897387	1	• Tensioning ring	
18	11044	1	• Roller bearing	
19	184654	1	• Needle roller bushin	
20	814482	1	• Oil strainer	
21	852904	1	• Magnetic plug	
22	955974	1	• O-ring	Included in gasket kit.
23	872533	1	• Propeller shaft	
24	184765	1	• Roller bearing	
25	3861458	1	• Drive gear set	Ratio 1.78:1
26	967352	X	• Shim	TH=0.05mm
	941823	X	• Shim	TH=0.10mm
	967351	X	• Shim	TH=0.15mm
	941824	X	• Shim	TH=0.20mm
	941825	X	• Shim	TH=0.40mm
27	184691	1	• Roller bearing	
28	191834	X	• Shim	TH=0.10mm
	191835	X	• Shim	TH=0.15mm
	191837	X	• Shim	TH=0.25mm
29	925258	2	• O-ring	Included in gasket kit.
30	941812	2	• Hex. socket screw	
31	875821	1	• Zinc ring kit	
32	966808	2	• • Screw	
33	183859	1	• Needle roller bushin	
34	184683	1	• Inner ring	
35	851407	2	• Sealing ring	Included in gasket kit.
36	3858457	1	• Thrust ring	
37	183272	1	• Needle roller bearin	
38	853871	1	• Sealing ring	Included in gasket kit.
39	3851334	1	• Propeller nut	
40	3858458	1	• Thrust ring	
41	872549	1	• Spinner	
42		1	• • Spinner	
43	943194	1	• • Washer	
44	872546	1	• • Lock screw	M12
45	853676	1	• • Spacer ring	
46	854294	1	• • Plastic washer	
47	873058	1	• Tool kit	
48	925256	1	O-ring	Included in gasket kit., Included in complete drive.
49	941810	4	Hex. socket screw	Included in complete drive.
50	853095	4	Washer	Included in complete drive.
51	876138	1	Anode kit	
52	966808	2	• Screw	
53	876267	1	Gasket kit, lower gear	See group 99



15157

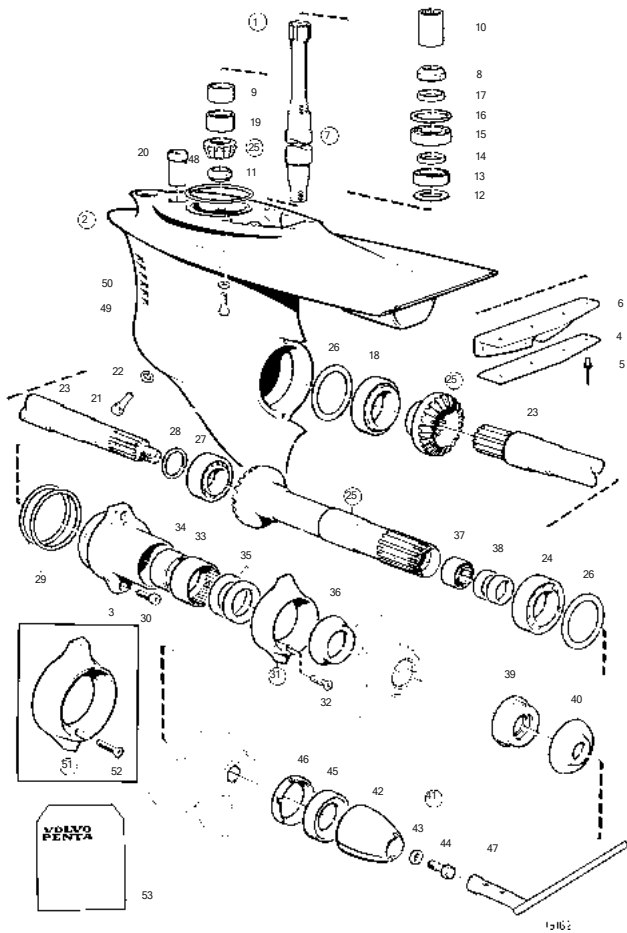
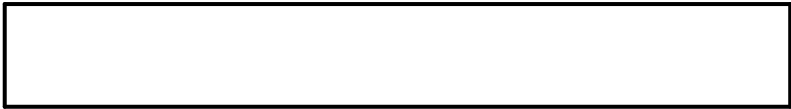
REF	PART NO.	QTY	DESCRIPTION	SEE SEC.	NOTES
1	872862	1	Aquamatic drive		Ratio 1.95:1
2	3858785	1	• Upper gear	612	(873002)
	3803483	1	• Upper gear, exch, exch	612	(873002)
3		1	• Intermediate housing	614	
4	872768	1	• Lower gear	1764	Ratio 1.95:1
	3803187	1	• Lower gear, exch, exch	1764	Ratio 1.95:1
5	876266	1	Gasket kit, upper gear		See group 99
	876267	1	Gasket kit, lower gear		See group 99



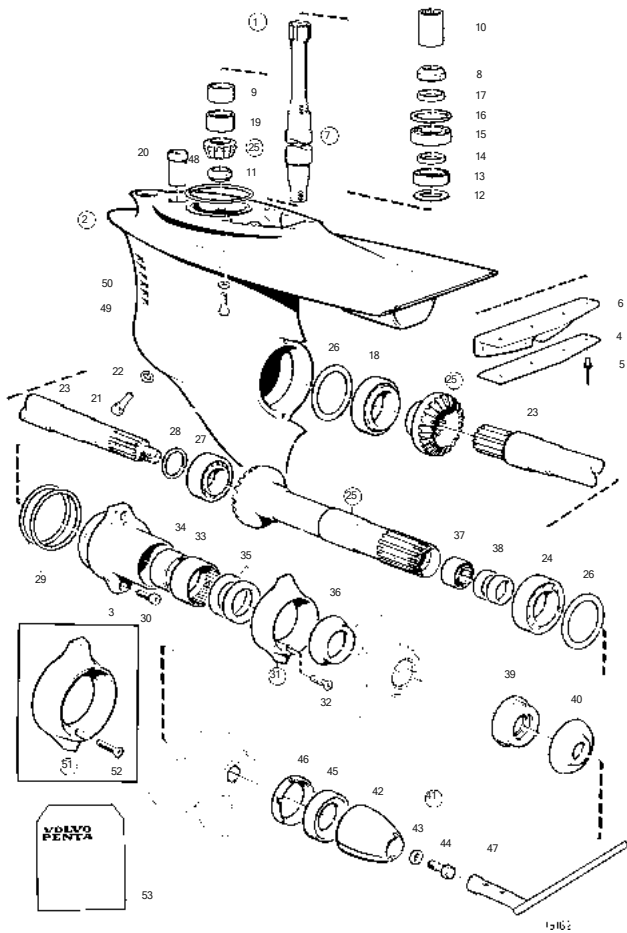


15157

REF	PART NO.	QTY	DESCRIPTION	SEE SEC.	NOTES
1	872863	1	Aquamatic drive		Ratio 2.30:1
	3803224	1	Aquamatic drive, exc, exch		Ratio 2.30:1
2	3858785	1	• Upper gear	612	(873002)
	3803483	1	• Upper gear, exch, exch	612	(873002)
3		1	• Intermediate housing	614	
4	872767	1	• Lower gear	1765	Ratio 2.30:1
	3803186	1	• Upper gear, exch, exch	1765	Ratio 2.30:1
5	876266	1	Gasket kit, upper gear		See group 99
	876267	1	Gasket kit, lower gear		See group 99

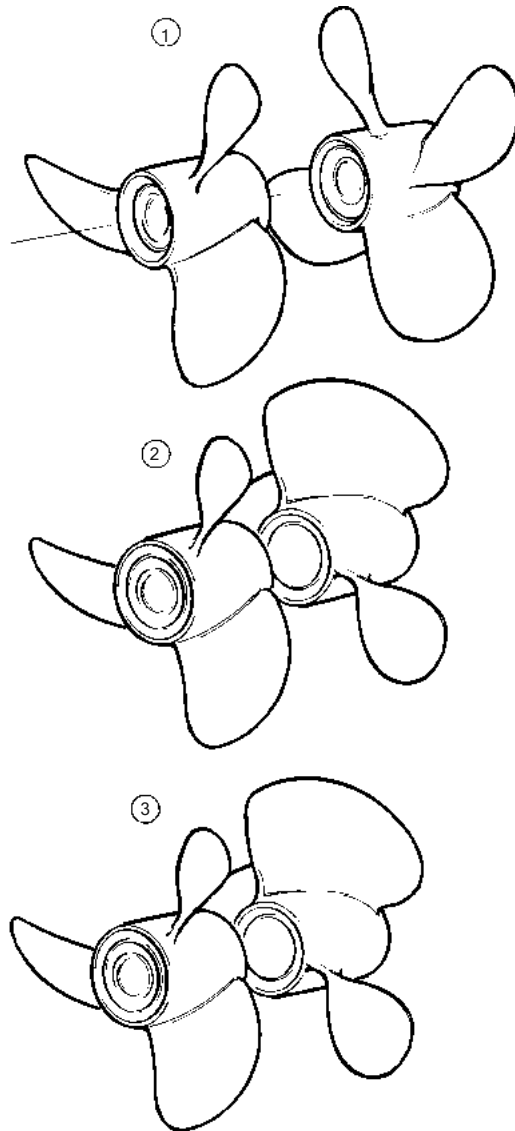


REF	PART NO.	QTY	DESCRIPTION	NOTES
1	872768	1	Lower gear	Ratio 1.95:1
	3803187	1	Lower gear, exch, exch	Ratio 1.95:1
2	3855628	1	• Gear housing	
3	854053	1	• • Bearing housing	
4	872439	1	• • Attaching plate	
5	977711	4	• • Blind rivet	
6	872438	1	• • Check valve	
7	854611	1	• Countershaft	
8	969071	1	• • Round nut	Included in gasket kit.
9	184682	1	• • Inner ring	
10	3852268	1	• • Splined sleeve	
11	852212	1	• Nut	Included in gasket kit.
12	941832	X	• Shim	TH=0.05mm
	941833	X	• Shim	TH=0,20mm
13	183374	1	• Ball bearing	
14	944970	X	• Shim	
15	11072	1	• Roller bearing	
16	944522	X	• Shim	TH=0.05mm
	42981	X	• Shim	TH=0.10mm
	968057	X	• Shim	TH=0,20mm
	42980	X	• Shim	TH=0.35mm
17	897387	1	• Tensioning ring	
18	11044	1	• Roller bearing	
19	184654	1	• Needle roller bushin	
20	814482	1	• Oil strainer	
21	852904	1	• Magnetic plug	
22	955974	1	• O-ring	Included in gasket kit.
23	872533	1	• Propeller shaft	
24	184765	1	• Roller bearing	
25	21902005	1	• Gear set	Ratio 1.95:1
26	967352	X	• Shim	TH=0.05mm
	941823	X	• Shim	TH=0,10mm
	967351	X	• Shim	TH=0.15mm
	941824	X	• Shim	TH=0.20mm
	941825	X	• Shim	TH=0.40mm
27	184691	1	• Roller bearing	
28	191834	X	• Shim	TH=0.10mm
	191835	X	• Shim	TH=0.15mm
	191837	X	• Shim	TH=0,25mm
29	925258	2	• O-ring	Included in gasket kit.
30	941812	2	• Hex. socket screw	
31	875821	1	• Zinc ring kit	
32	966808	2	• • Screw	
33	183859	1	• Needle roller bushin	
34	184683	1	• Inner ring	
35	851407	2	• Sealing ring	Included in gasket kit.
36	3858457	1	• Thrust ring	
37	183272	1	• Needle roller bearin	
38	853871	1	• Sealing ring	Included in gasket kit.
39	3851334	1	• Propeller nut	
40	3858458	1	• Thrust ring	
41	872549	1	• Spinner	
42		1	• • Spinner	
43	943194	1	• • Washer	
44	872546	1	• • Lock screw	M12
45	853676	1	• • Spacer ring	
46	854294	1	• • Plastic washer	
47	873058	1	• Tool kit	
48	925256	1	O-ring	Included in gasket kit., Included in complete drive.
49	941810	4	Hex. socket screw	Included in complete drive.
50	853095	4	Washer	Included in complete drive.
51	876138	1	Anode kit	To be used in fresh-water.
52	966808	2	• Screw	
53	876267	1	Gasket kit, lower gear	See group 99



REF	PART NO.	QTY	DESCRIPTION	NOTES
1	872767	1	Lower gear	Ratio 2.30:1
	3803186	1	Upper gear, exch, exch	Ratio 2.30:1
2	3855628	1	• Gear housing	
3	854053	1	• • Bearing housing	
4	872439	1	• • Attaching plate	
5	977711	4	• • Blind rivet	
6	872438	1	• • Check valve	
7	854611	1	• Countershaft	
8	969071	1	• • Round nut	Included in gasket kit.
9	184682	1	• • Inner ring	
10	3852268	1	• • Splined sleeve	
11	852212	1	• Nut	Included in gasket kit.
12	941832	X	• Shim	TH=0.05mm
	941833	X	• Shim	TH=0,20mm
13	183374	1	• Ball bearing	
14	944970	X	• Shim	
15	11072	1	• Roller bearing	
16	944522	X	• Shim	TH=0.05mm
	42981	X	• Shim	TH=0.10mm
	968057	X	• Shim	TH=0,20mm
	42980	X	• Shim	TH=0.35mm
17	897387	1	• Tensioning ring	
18	11044	1	• Roller bearing	
19	184654	1	• Needle roller bushin	
20	814482	1	• Oil strainer	
21	852904	1	• Magnetic plug	
22	955974	1	• O-ring	Included in gasket kit.
23	872533	1	• Propeller shaft	
24	184765	1	• Roller bearing	
25	3861456	1	• Drive gear set	Ratio 2.30:1
26	967352	X	• Shim	TH=0.05mm
	941823	X	• Shim	TH=0,10mm
	967351	X	• Shim	TH=0.15mm
	941824	X	• Shim	TH=0.20mm
	941825	X	• Shim	TH=0.40mm
27	184691	1	• Roller bearing	
28	191834	X	• Shim	TH=0.10mm
	191835	X	• Shim	TH=0.15mm
	191837	X	• Shim	TH=0,25mm
29	925258	2	• O-ring	Included in gasket kit.
30	941812	2	• Hex. socket screw	
31	875821	1	• Zinc ring kit	
32	966808	2	• • Screw	
33	183859	1	• Needle roller bushin	
34	184683	1	• Inner ring	
35	851407	2	• Sealing ring	Included in gasket kit.
36	3858457	1	• Thrust ring	
37	183272	1	• Needle roller bearin	
38	853871	1	• Sealing ring	Included in gasket kit.
39	3851334	1	• Propeller nut	
40	3858458	1	• Thrust ring	
41	872549	1	• Spinner	
42		1	• • Spinner	
43	943194	1	• • Washer	
44	872546	1	• • Lock screw	M12
45	853676	1	• • Spacer ring	
46	854294	1	• • Plastic washer	
47	873058	1	• Tool kit	
48	925256	1	O-ring	Included in gasket kit., Included in complete drive.
49	941810	4	Hex. socket screw	Included in complete drive.
50	853095	4	Washer	Included in complete drive.
51	876138	1	Anode kit	
52	966808	2	• Screw	
53	876267	1	Gasket kit, lower gear	See group 99

AD31L-A, AD31P-A, AD41L-A, AD41P-A, D41L-A, TAM31L-A, TAM31M-A,  
TAM31P-A, TAM31S-A, TAM41H-A, TAM41H-B, TAM41P-A,  
TAM41L-A, TAM41M-A, TMD31L-A, TMD41L-A



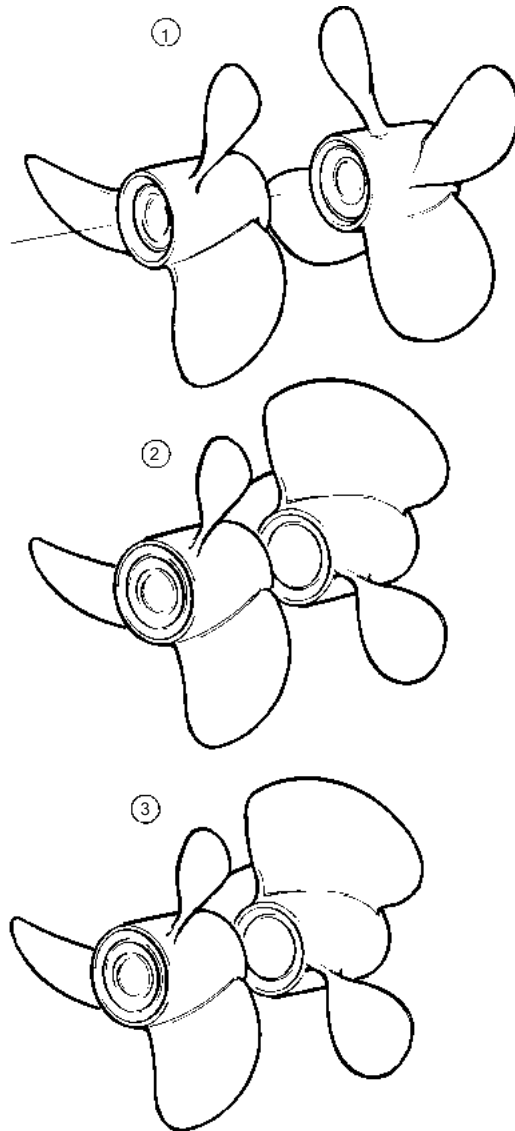
15180

AD31L-A, AD31P-A, AD41L-A, AD41P-A, D41L-A, TAMD31L-A, TAMD31M-A, TAMD31P-A, TAMD31S-A, TAMD41H-A, TAMD41H-B, TAMD41P-A, TAMD41L-A, TAMD41M-A, TMD31L-A, TMD41L-A

REF	PART NO.	QTY	DESCRIPTION	SEE SEC.	NOTES
1	872270	1	Propeller		A0
			• Bulletin P-44-7-1	P-44-7-1-EN	Duoprop Propellers
1	872259	1	• Propeller, front		
	872264	1	• Propeller, rear		
	854764	1	Propeller		A1 (852681)
	854774	1	• Propeller, front		(852247)
	854784	1	• Propeller, rear		(852249)
	854765	1	Propeller		A2 (852682)
	854775	1	• Propeller, front		
	854785	1	• Propeller, rear		
	854766	1	Propeller		A3
	854776	1	• Propeller, front		
	854786	1	• Propeller, rear		
	854767	1	Propeller		A4
	854777	1	• Propeller, front		
	854787	1	• Propeller, rear		
	854768	1	Propeller		A5
	854778	1	• Propeller, front		
	854788	1	• Propeller, rear		
	854769	1	Propeller		A6
	854779	1	• Propeller, front		
	854789	1	• Propeller, rear		
	854770	1	Propeller		A7
	854780	1	• Propeller, front		
	854790	1	• Propeller, rear		
	854771	1	Propeller		A8
	854781	1	• Propeller, front		
	854791	1	• Propeller, rear		
	854772	1	Propeller		A9 (852677)
	854782	1	• Propeller, front		(852267)
	854792	1	• Propeller, rear		(852269)
	854773	1	Propeller		A10 (852676)
	854783	1	• Propeller, front		
	854793	1	• Propeller, rear		



AD31L-A, AD31P-A, AD41L-A, AD41P-A, D41L-A, TAM31L-A, TAM31M-A,  
TAM31P-A, TAM31S-A, TAM41H-A, TAM41H-B, TAM41P-A,  
TAM41L-A, TAM41M-A, TMD31L-A, TMD41L-A

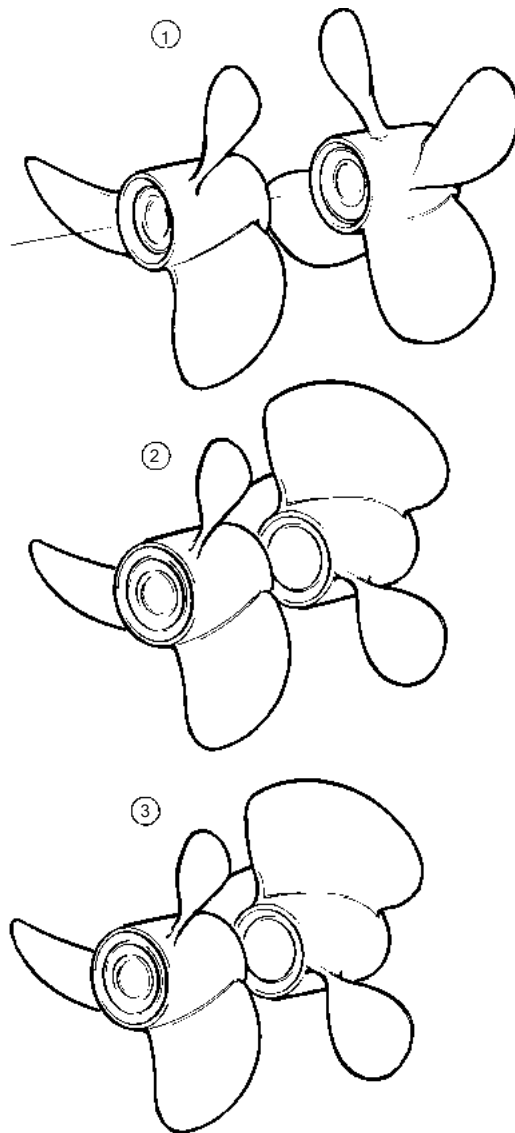


15180

AD31L-A, AD31P-A, AD41L-A, AD41P-A, D41L-A, TAMD31L-A, TAMD31M-A, TAMD31P-A, TAMD31S-A, TAMD41H-A, TAMD41H-B, TAMD41P-A, TAMD41L-A, TAMD41M-A, TMD31L-A, TMD41L-A

REF	PART NO.	QTY	DESCRIPTION	SEE SEC.	NOTES
2	854814	1	Propeller		B1
			Bulletin P-44-7-1	P-44-7-1-EN	Duoprop Propellers
2	854822	1	• Propeller, front		
	854830	1	• Propeller, rear		
	854815	1	Propeller		B2
	854823	1	• Propeller, front		
	854831	1	• Propeller, rear		
	854816	1	Propeller		B3
	854824	1	• Propeller, front		
	854832	1	• Propeller, rear		
	854817	1	Propeller		B4
	854825	1	• Propeller, front		
	854833	1	• Propeller, rear		
	854818	1	Propeller		B5
	854826	1	• Propeller, front		
	854834	1	• Propeller, rear		
	854819	1	Propeller		B6
	854827	1	• Propeller, front		
	854836	1	• Propeller, rear		
	854820	1	Propeller		B7
	854828	1	• Propeller, front		
	854837	1	• Propeller, rear		
	854821	1	Propeller		B8
	854829	1	• Propeller, front		
	854837	1	• Propeller, rear		

AD31L-A, AD31P-A, AD41L-A, AD41P-A, D41L-A, TAMD31L-A, TAMD31M-A,  
TAMD31P-A, TAMD31S-A, TAMD41H-A, TAMD41H-B, TAMD41P-A,  
TAMD41L-A, TAMD41M-A, TMD31L-A, TMD41L-A

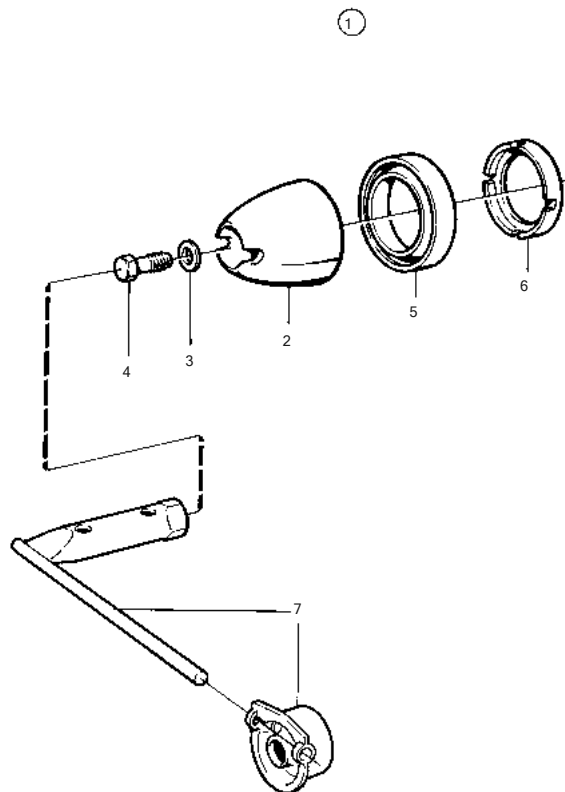


15180

AD31L-A, AD31P-A, AD41L-A, AD41P-A, D41L-A, TAMD31L-A, TAMD31M-A, TAMD31P-A, TAMD31S-A, TAMD41H-A, TAMD41H-B, TAMD41P-A, TAMD41L-A, TAMD41M-A, TMD31L-A, TMD41L-A

REF	PART NO.	QTY	DESCRIPTION	SEE SEC.	NOTES
3	3588224	1	Propeller		
	3857461	1	• Propeller, front		
	3851533	1	• • Bushing		(872552), (872465)
	3857465	1	• Propeller, rear		
	3851534	1	• • Bushing		(872553), (872466)
	3588225	1	Propeller		C5 (854855)
	3857462	1	• Propeller, front		
	3851533	1	• • Bushing		(872552), (872465)
	3857466	1	• Propeller, rear		(854871)
	3851534	1	• • Bushing		(872553), (872466)
	3588226	1	Propeller		C6 (854856)
	3857463	1	• Propeller, front		C6 (854868)
	3851533	1	• • Bushing		(872552), (872465)
	3857467	1	• Propeller, rear		
	3851534	1	• • Bushing		(872553), (872466)
	3588227	1	Propeller		C7 (854857)
	3857464	1	• Propeller, front		
	3851533	1	• • Bushing		(872552), (872465)
	3857468	1	• Propeller, rear		
	3851534	1	• • Bushing		(872553), (872466)
	3860065	1	Propeller		E2
			Bulletin P-44-7-1	P-44-7-1-EN	Duoprop Propellers
3	872422	1	• Propeller, front		
	872176	1	• • Hub		
	3860011	1	• Propeller, rear		
	872177	1	• • Hub		
	3860066	1	Propeller		E3
	872423	1	• Propeller, front		
	872176	1	• • Hub		
	3860012	1	• Propeller, rear		
	872177	1	• • Hub		
	3860067	1	Propeller		E4
	872424	1	• Propeller, front		
	872176	1	• • Hub		
	3860013	1	• Propeller, rear		
	872177	1	• • Hub		

AD31L-A, AD31P-A, AD41L-A, AD41P-A, D41L-A, TAM31L-A, TAM31M-A,  
TAM31P-A, TAM31S-A, TAM41H-A, TAM41H-B, TAM41P-A,  
TAM41L-A, TAM41M-A, TMD31L-A, TMD41L-A



11507

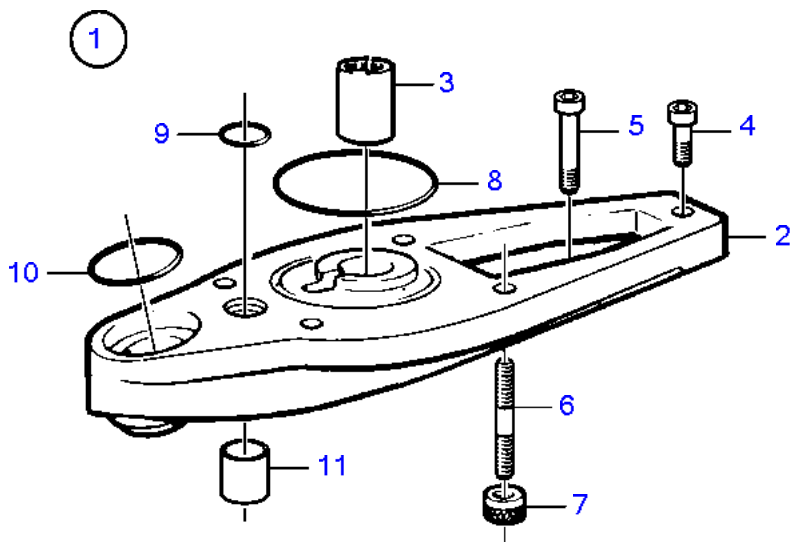
AD31L-A, AD31P-A, AD41L-A, AD41P-A, D41L-A, TAMD31L-A, TAMD31M-A, TAMD31P-A, TAMD31S-A, TAMD41H-A, TAMD41H-B, TAMD41P-A, TAMD41L-A, TAMD41M-A, TMD31L-A, TMD41L-A

REF	PART NO.	QTY	DESCRIPTION
1	872549	1	Spinner
2		1	• Spinner
3	943194	1	• Washer
4	872546	1	• Lock screw
5	853676	1	• Spacer ring
6	854294	1	• Plastic washer
7	873058	1	Tool kit

44

Drive Extension, 1" (25.4mm) DP: 1' (25.4mm)  
DP

AD31L-A, AD31P-A, AD41L-A, AD41P-A, D41L-A, TAM31L-A, TAM31M-A,  
TAM31P-A, TAM31S-A, TAM41H-A, TAM41H-B, TAM41P-A,  
TAM41L-A, TAM41M-A, TMD31L-A, TMD41L-A



23056

AD31L-A, AD31P-A, AD41L-A, AD41P-A, D41L-A, TAMD31L-A, TAMD31M-A, TAMD31P-A, TAMD31S-A, TAMD41H-A, TAMD41H-B, TAMD41P-A, TAMD41L-A, TAMD41M-A, TMD31L-A, TMD41L-A

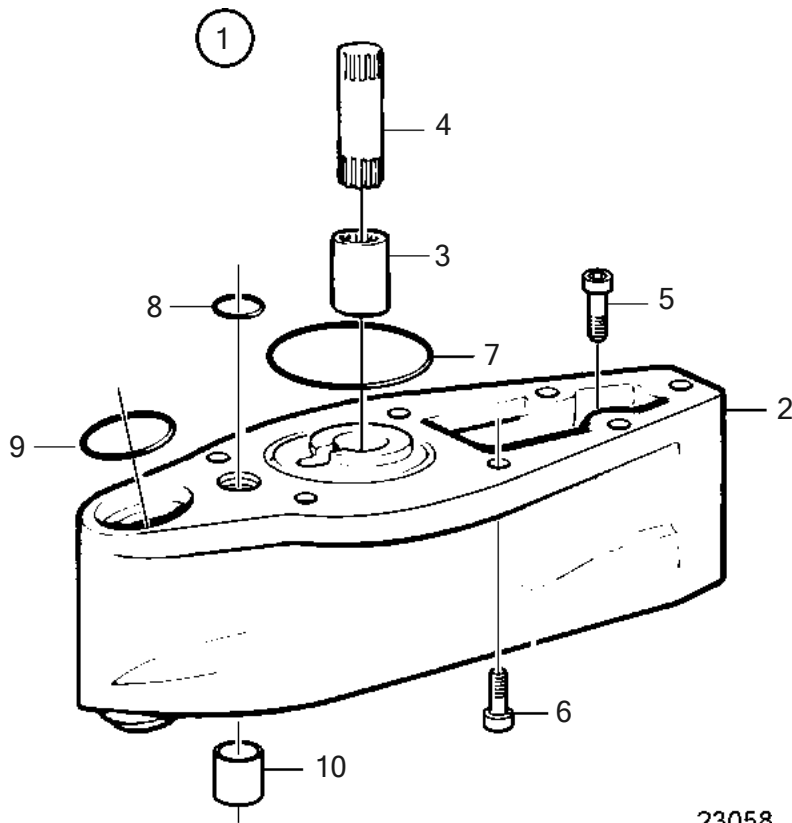
REF	PART NO.	QTY	DESCRIPTION
1	854686	1	Extension kit
2		1	• Intermediate section
3	854684	1	• Splined sleeve
4	941873	1	• Hex. socket screw
5	959448	2	• Hex. socket screw
6	943762	4	• Stud
7	832939	4	• Nut
8	925256	1	• O-ring
9	125017	1	• O-ring
10	941820	1	• O-ring
11	897823	1	• Oil pipe



44

Drive Extension, 4" (101.6mm) DP: 4'  
(101.6mm) DP

AD31L-A, AD31P-A, AD41L-A, AD41P-A, D41L-A, TAM31L-A, TAM31M-A,  
TAM31P-A, TAM31S-A, TAM41H-A, TAM41H-B, TAM41P-A,  
TAM41L-A, TAM41M-A, TMD31L-A, TMD41L-A



23058

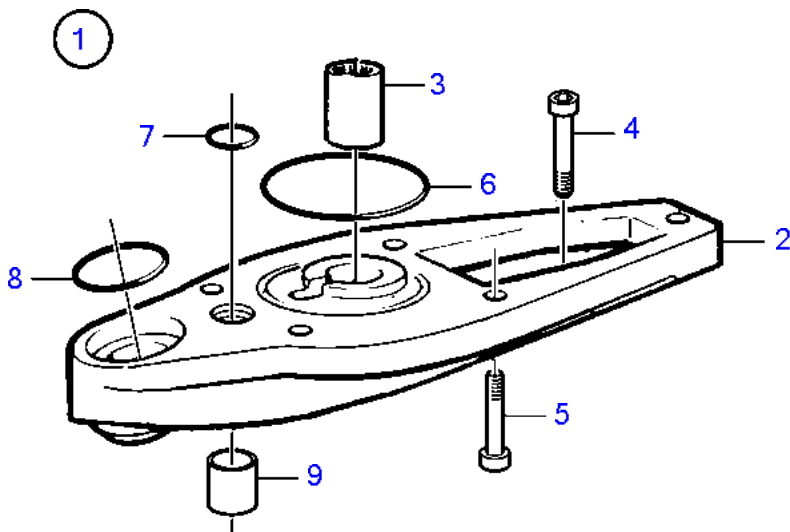
AD31L-A, AD31P-A, AD41L-A, AD41P-A, D41L-A, TAM31L-A, TAM31M-A, TAM31P-A, TAM31S-A, TAM41H-A, TAM41H-B, TAM41P-A, TAM41L-A, TAM41M-A, TMD31L-A, TMD41L-A

REF	PART NO.	QTY	DESCRIPTION
1	872090	1	Extension kit
2		1	• Intermediate section
3	872128	1	• Splined sleeve
4	872087	1	• Shaft
5	941809	3	• Hex. socket screw
6	941810	4	• Hex. socket screw
7	925256	1	• O-ring
8	125017	1	• O-ring
9	941820	1	• O-ring
10	897823	1	• Oil pipe

44

Drive Extension, 1" (25.4MM) DPX: 1"  
(25.4MM) DPX

AD31L-A, AD31P-A, AD41L-A, AD41P-A, D41L-A, TAMD31L-A, TAMD31M-A,  
TAMD31P-A, TAMD31S-A, TAMD41H-A, TAMD41H-B, TAMD41P-A,  
TAMD41L-A, TAMD41M-A, TMD31L-A, TMD41L-A

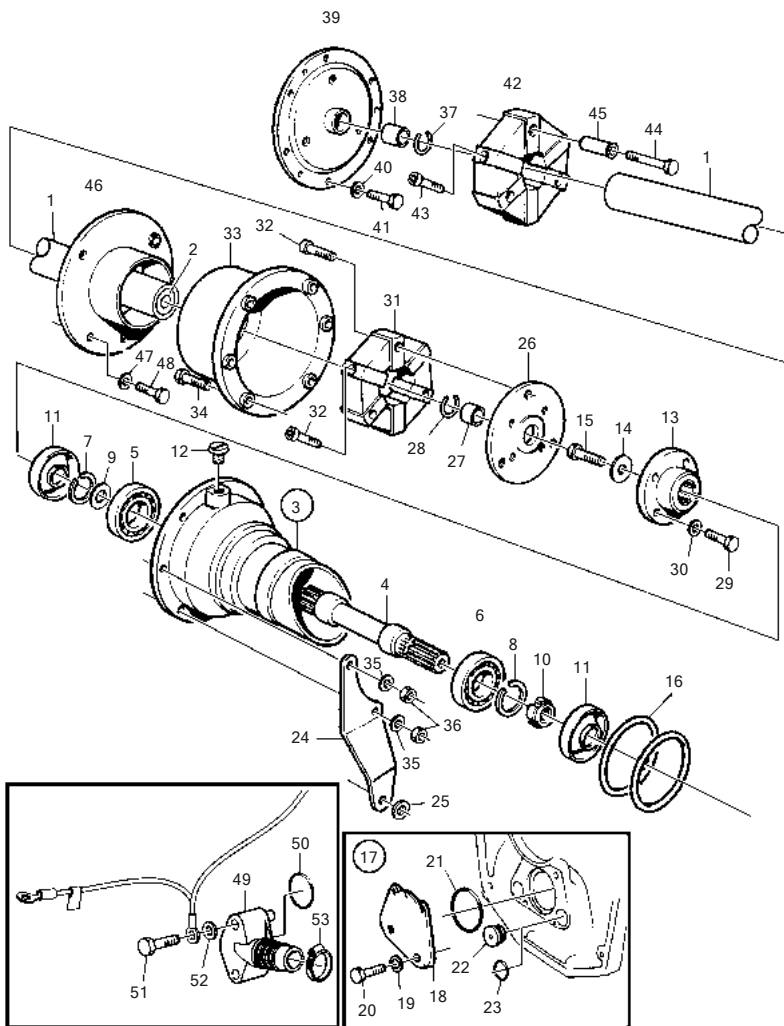


23057

AD31L-A, AD31P-A, AD41L-A, AD41P-A, D41L-A, TAMD31L-A, TAMD31M-A, TAMD31P-A, TAMD31S-A, TAMD41H-A, TAMD41H-B, TAMD41P-A, TAMD41L-A, TAMD41M-A, TMD31L-A, TMD41L-A

REF	PART NO.	QTY	DESCRIPTION
1	3858596	1	Extension kit
2		1	• Intermediate section
3	854684	1	• Splined sleeve
4	959448	3	• Hex. socket screw
5	959461	4	• Hex. socket screw
6	925256	1	• O-ring
7	125017	1	• O-ring
8	941820	1	• O-ring
9	897823	1	• Oil pipe

AD31L-A, AD31P-A, AD41L-A, AD41P-A, D41L-A

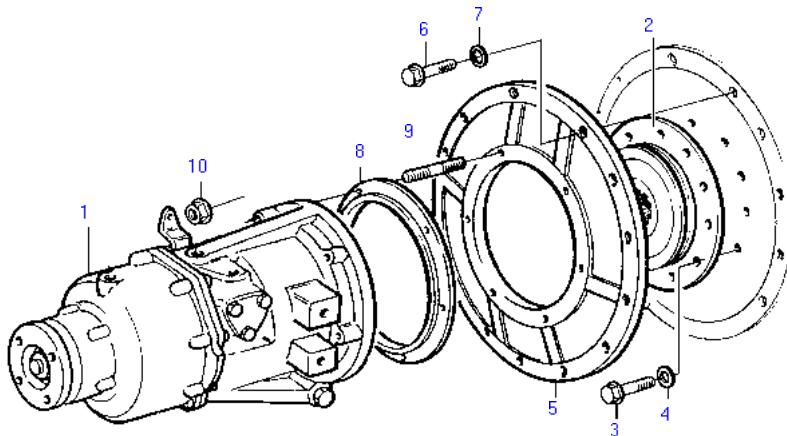


23064

AD31L-A, AD31P-A, AD41L-A, AD41P-A, D41L-A

REF	PART NO.	QTY	DESCRIPTION	NOTES
1	(853944)	1	Stub axle	L=1,1m, Obsolete part
	853850	1	Stub axle	L=1,65m
2	853830	2	• Insert	
3	3855772	1	Intermediate housing	
4	853841	1	Spindle	
5	183647	1	Roller bearing	
6	11041	1	Roller bearing	
7	914465	1	Snap ring	
8	914533	1	Snap ring	
9	968950	1	Support washer	
10	969072	1	Round nut	
11	958860	2	Sealing ring	
12	804262	1	Plug	
13	838422	1	Clutch flange	
14	947541	1	Washer	
15	946329	1	Flange screw	
16	858464	2	Rubber ring	
17	(872238)	1	Seal flange kit	Obsolete part
18		1	• Seal flange	
19	941908	4	• Spring washer	
20	970945	4	• Hexagon screw	
21	925256	1	• O-ring	
22	814473	2	• Closure	
23	925064	2	O-ring	Alt
24	838935	1	Bracket	P
	838936	1	Bracket	SB
25	955897	22	Washer	
26	853878	1	Attaching plate	
27	853829	1	Bushing	
28	914470	1	Snap ring	
29	945996	4	Hexagon screw	
30	941909	4	Spring washer	
31	853978	1	Clutch	
32	853951	6	• Screw	
33	853838	1	Protecting screen	
34	940160	6	Hexagon screw	
35	941909	6	Spring washer	
36	940157	6	Hexagon nut	
37	914470	1	Snap ring	
38	853829	1	Bushing	
39	853876	1	Attaching plate	
40	941907	6	Spring washer	Early type
41	955297	6	Hexagon screw	Early type
	945444	6	Flange screw	Late type
42	853977	1	Clutch	
43	853951	3	• Screw	
44	853952	3	• Screw	
45	853834	3	Spacer sleeve	
46	853874	1	Protecting screen	
47	941908	4	Spring washer	Early type
48	970947	4	Hexagon screw	Early type
	946329	4	Flange screw	Late type
49	872338	1	Hose connection	
50	925064	1	O-ring	
51	955516	2	Hexagon screw	
52	955893	2	Washer	
53	961669	2	Hose clamp	

AD31L-A, AD31P-A, AD41L-A, AD41P-A, D41L-A, TAMD31L-A, TAMD31M-A,  
TAMD31P-A, TAMD31S-A, TAMD41H-A, TAMD41H-B, TAMD41P-A,  
TAMD41L-A, TAMD41M-A, TMD31L-A, TMD41L-A



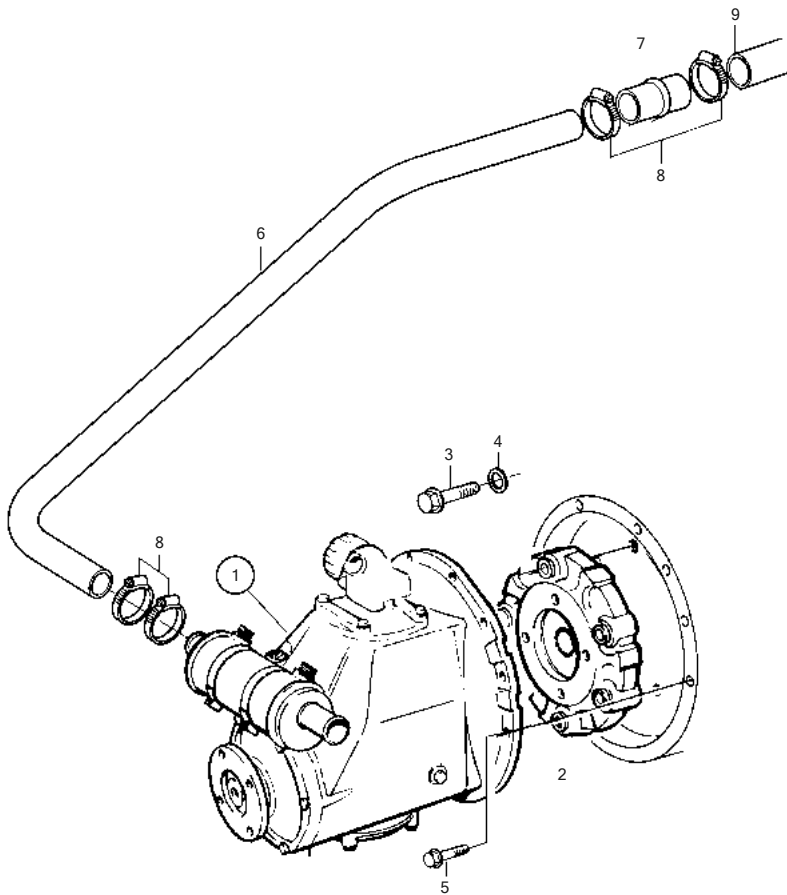
19459

AD31L-A, AD31P-A, AD41L-A, AD41P-A, D41L-A, TAMD31L-A, TAMD31M-A, TAMD31P-A, TAMD31S-A, TAMD41H-A, TAMD41H-B, TAMD41P-A, TAMD41L-A, TAMD41M-A, TMD31L-A, TMD41L-A

REF	PART NO.	QTY	DESCRIPTION	NOTES
1		1	Reversing gear	
2	854753	1	Vibration damper	Replaced by 1pcs 3582751, vibration damper, 6pcs 959227, screw and 6pcs 941907, spring washer.
	3582751	1	Oscillation damper	
3	959227	6	Hex. socket screw	
4	941907	6	Spring washer	
5	829489	1	Cardboard tube	
6	946752	11	Flange screw	
7	941908	11	Spring washer	
8	859566	1	Spacer ring	
9	953084	6	Stud	
10	971095	6	Flange nut	



TAMD31L-A, TAMD31M-A, TAMD31P-A, TMD31L-A

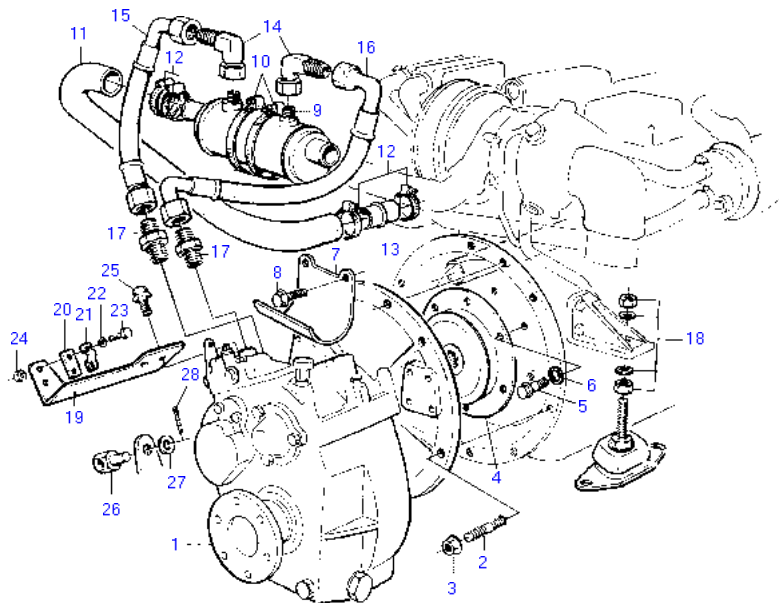


19457

TAMD31L-A, TAMD31M-A, TAMD31P-A, TMD31L-A

REF	PART NO.	QTY	DESCRIPTION	NOTES
1		1	Reversing gear	
2	872959	1	Vibration damper	Replaced by 1pcs 3582751, vibration damper, 6pcs 959227, screw and 6pcs 941907, spring washer.
	3582751	1	Oscillation damper	
3	959227	6	Hex. socket screw	
4	941907	6	Spring washer	
5	946752	9	Flange screw	
6	861739	1	Hose	
7	861090	1	Tube	
8	961669	4	Hose clamp	
9	861737	1	Hose	Reverse gear-sea water pump.

TAMD31M-A, TAMD41H-A, TAMD41H-B, TAMD41M-A

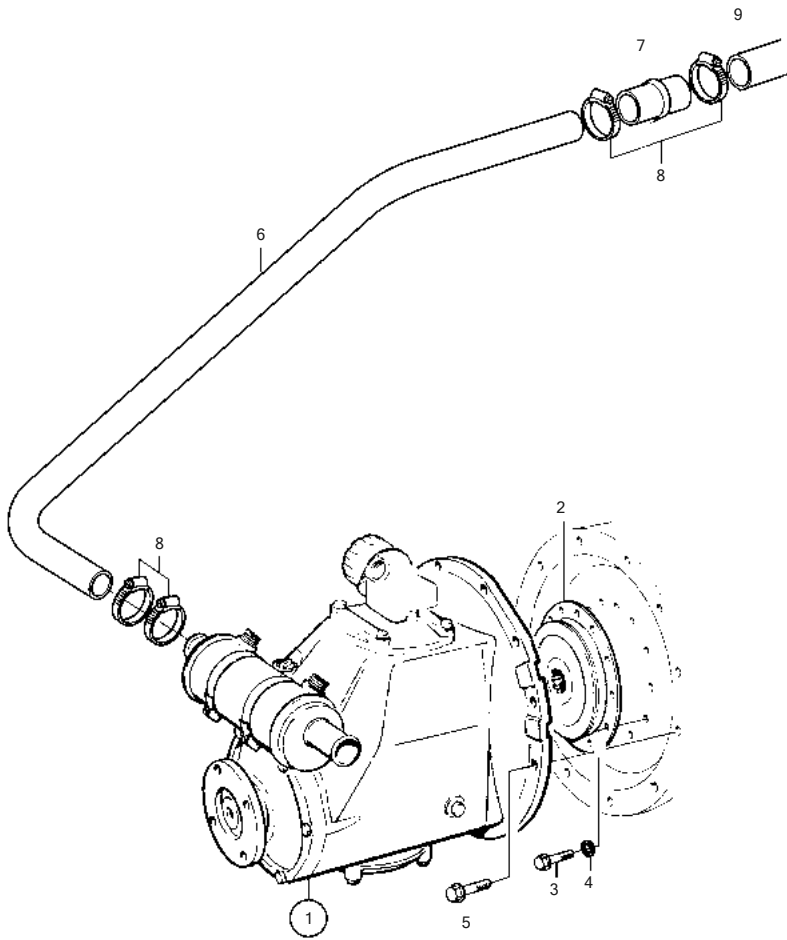


19458

TAMD31M-A, TAMD41H-A, TAMD41H-B, TAMD41M-A

REF	PART NO.	QTY	DESCRIPTION	NOTES
1		1	Reversing gear	
2	953067	4	Stud	
3	971095	4	Flange nut	
4	872987	1	Clutch	Replaced by 1pcs 3582752, vibration damper, 6pcs 959227, screw and 6pcs 941907, spring washer.
	3582752	1	Oscillation damper	
5	959227	6	Hex. socket screw	
6	941907	6	Spring washer	
7	859592	1	Bracket	
8	946752	5	Flange screw	
9	872626	1	Oil cooler	
10	961674	2	Hose clamp	
11	861739	1	Hose	
12	961669	4	Hose clamp	
13	861090	1	Tube	
14	946369	2	Elbow nipple	
15	872637	1	Hose	
16	872638	1	Hose	
17	856793	2	Nipple	
18		4	Engine suspension	See group 21
19	858366	1	Bracket	
20	819068	1	Washer	
21	21471054	1	Bracket	
22	940090	2	Washer	
23	969407	2	6 point socket screw	
24	949874	2	Flange lock nut	
25		2	Screw	
26	3841580	1	Cube	
27	955893	1	Washer	
28	17276	1	Split pin	

TAMD41H-A, TAMD41H-B, TAMD41P-A, TAMD41M-A, TMD41L-A

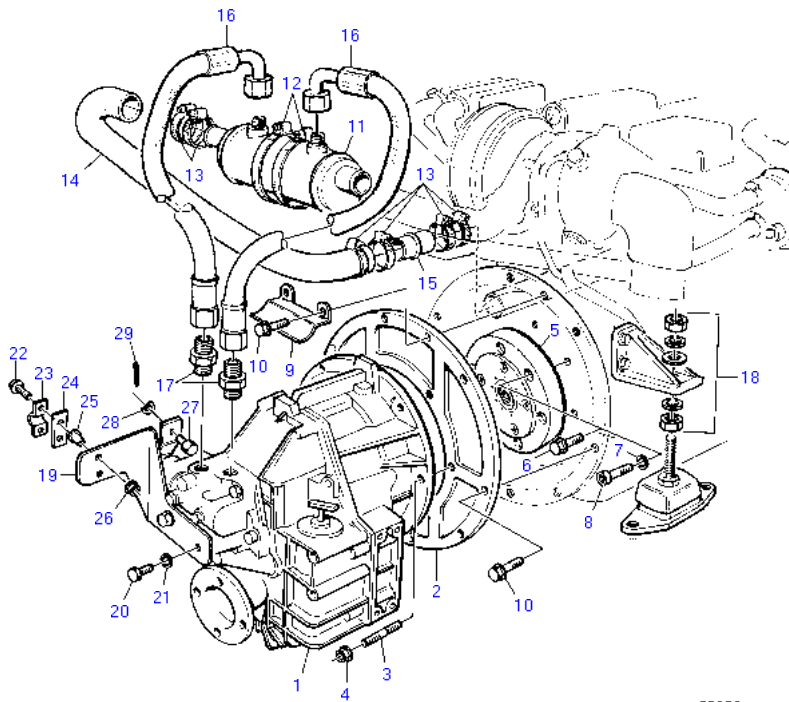


11130

TAMD41H-A, TAMD41H-B, TAMD41P-A, TAMD41M-A, TMD41L-A

REF	PART NO.	QTY	DESCRIPTION	SEE SEC.	NOTES
1		1	Reversing gear		
				605	
2	854753	1	Vibration damper		Replaced by 1pcs 3582751, vibration damper, 6pcs 959227, screw and 6pcs 941907, spring washer.
	3582751	1	Oscillation damper		
3	959227	6	Hex. socket screw		
4	941907	6	Spring washer		
5	946752	9	Flange screw		
6	861739	1	Hose		
7	861090	1	Tube		
8	961669	4	Hose clamp		
9	861738	1	Hose		Reverse gear-sea water pump.

TAMD41H-A, TAMD41P-A, TAMD41L-A, TAMD41M-A, TMD41L-A



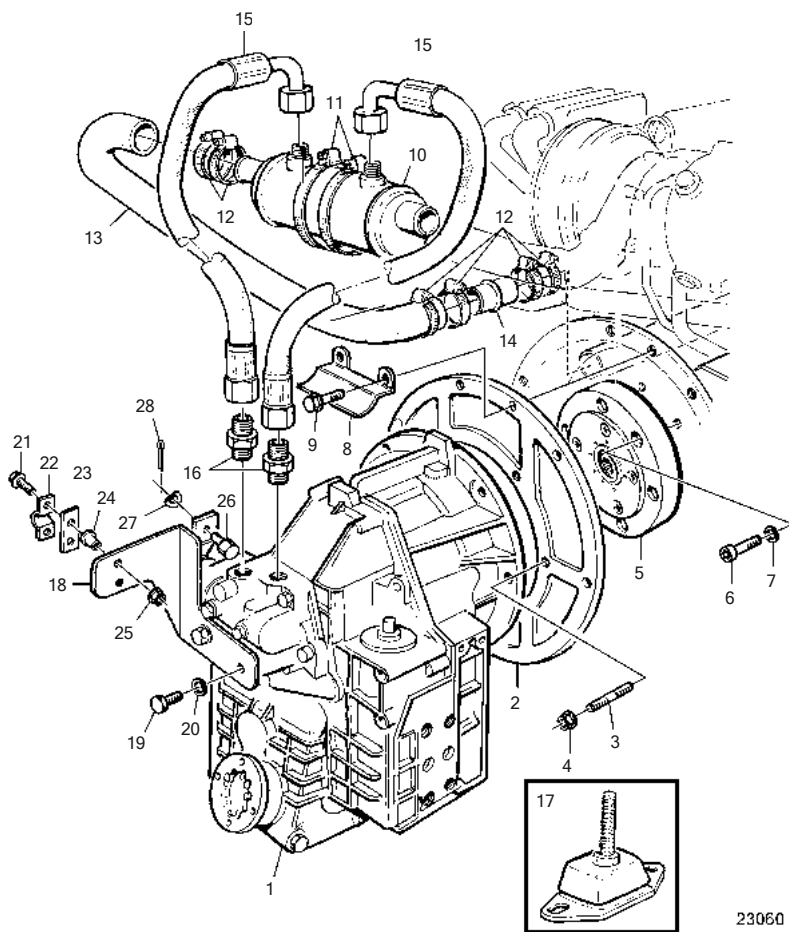
23050

TAMD41H-A, TAMD41P-A, TAMD41L-A, TAMD41M-A, TMD41L-A

REF	PART NO.	QTY	DESCRIPTION	NOTES
1		1	Reversing gear	
2	829489	1	Cardboard tube	
3	924075	6	Stud	
4	971095	6	Flange nut	
5	854753	1	Vibration damper	Replaced by 1pcs 3582751, vibration damper, 6pcs 959227, screw and 6pcs 941907, spring washer., Earlier prod.
	3582751		Oscillation damper	Late type
6	946173	9	Flange screw	
7	941907	6	Spring washer	Late type
8	959227	6	Hex. socket screw	Late type
9	859592	1	Bracket	
10	946752	11	Flange screw	
11	872626	1	Oil cooler	
12	961674	2	Hose clamp	
13	961669	6	Hose clamp	
14	3581335	1	Hose	
15	861090	1	Tube	
16	3581387	2	Hydraulic hose	
17	856793	2	Nipple	
18		4	Engine suspension	See group 21
19	3581336	1	Bracket	
20	940133	2	Hexagon screw	
21	976945	2	Washer	
22	956081	2	Cross recessed screw	
23	21471054	1	Bracket	
24	819068	1	Washer	
25	843108	2	Bushing	
26	949874	2	Flange lock nut	
27	3852329	1	Cube	
28	941906	1	Spring washer	
29	17276	1	Split pin	



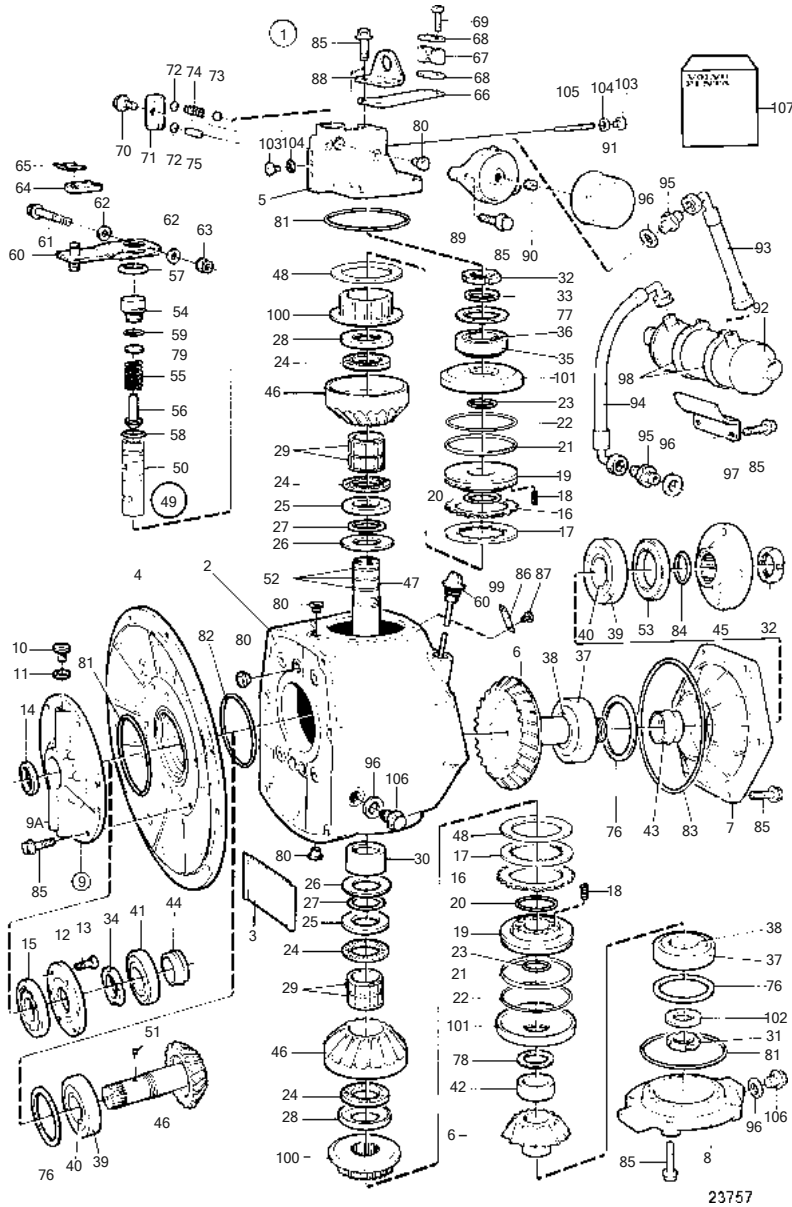
TAMD41H-A, TAMD41P-A, TAMD41L-A, TAMD41M-A, TMD41L-A



23060

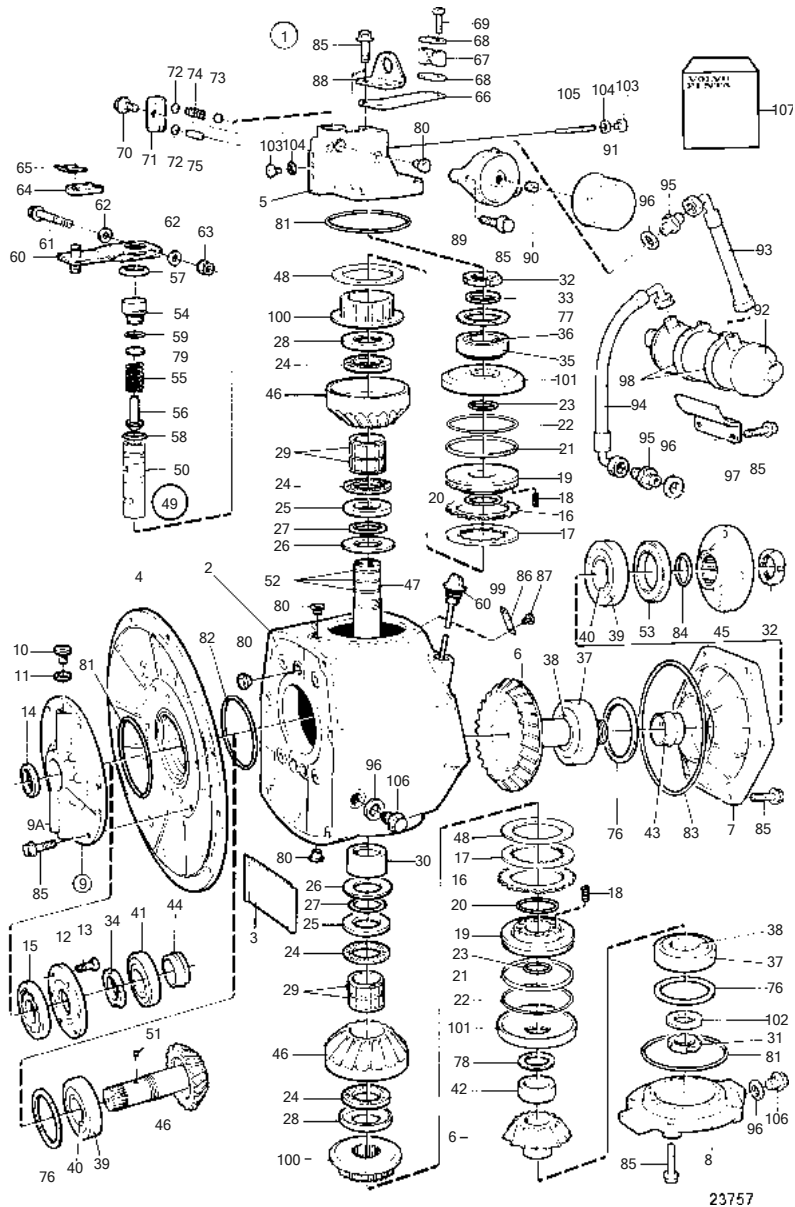
TAMD41H-A, TAMD41P-A, TAMD41L-A, TAMD41M-A, TMD41L-A

REF	PART NO.	QTY	DESCRIPTION	NOTES
1		1	Reversing gear	
2	829489	1	Cardboard tube	
3	924075	6	Stud	
4	971095	6	Flange nut	
5	3582751	1	Oscillation damper	(3857442)
6	959227	6	Hex. socket screw	
7	941907	6	Spring washer	
8	859592	1	Bracket	
9	946752	11	Flange screw	
10	872626	1	Oil cooler	
11	943481	2	Hose clamp	
12	961669	6	Hose clamp	
13	3581335	1	Hose	
14	861090	1	Tube	
15	3581387	2	Hydraulic hose	
16	856793	2	Nipple	
17		4	Engine suspension	See group 21
18	3581336	1	Bracket	
19	940133	2	Hexagon screw	
20	976945	2	Washer	
21	956081	2	Cross recessed screw	
22	21471054	1	Bracket	
23	819068	1	Washer	
24	843108	2	Bushing	
25	949874	2	Flange lock nut	(946577)
26	3852329	1	Cube	(804312)
27	941906	1	Spring washer	
28	17276	1	Split pin	



REF	PART NO.	QTY	DESCRIPTION	SEE SEC.	NOTES
1	873171	1	Transmission		Ratio 1.96:1
	3803501	1	Lower gear, exch, exch		Ratio 1.96:1
2	(872500)	1	• Gear housing		Obsolete part
3	872574	1	• Shield		
4	872501	1	• Cardboard tube		
5	872725	1	• Valve housing		
6	872510	1	• Drive gear set		
7	872505	1	• Bearing housing		
8	872506	1	• Bearing housing		
9	3851512	1	• Oil pump		
9A		1	• • Oil pump housing		
10	945065	3	• • Plug		
11	969011	3	• • Gasket		
12		1	• • Lock		
13	942001	6	• • Hex. socket screw		
14	6842273	1	• • Lip seal		Included in gasket kit.
15		1	• • Pump element		
16		14	• Disc		Included in disc kit.
17		16	• Disc		Included in disc kit.
18	872580	26	• Spring		
19	3861194	2	• Piston		
20	977891	2	• O-ring		Included in gasket kit., Included in piston ring kit.
21		2	• Piston ring		Included in piston ring kit.
22		2	• O-ring		Included in piston ring kit.
23	872522	2	• Lock ring		
24	184175	4	• Needle roller assemb		
25	184239	2	• Raceway washer		
26	872581	2	• Spring washer		
27	956000	2	• O-ring		Included in gasket kit.
28	872570	2	• Thrust washer		
29	184798	4	• Needle roller assemb		
30	872587	1	• Roller bearing		
31	969072	1	• Round nut		Included in gasket kit.
32	969073	2	• Round nut		Included in gasket kit.
33	872520	1	• Washer		
34	969074	1	• Round nut		Included in gasket kit.
35	181304	1	• Cup		
36	181303	1	• Inner ring		
37	183403	2	• Cup		
38	183649	2	• Inner ring		
39	181036	2	• Cup		
40	184797	2	• Inner ring		
41	183232	1	• Roller bearing		
42	872521	1	• Spacer sleeve		
43	872568	1	• Pretensioning sleeve		
44	872569	1	• Pretensioning sleeve		
45	872523	1	• Flange		
46	872507	1	• Drive gear set		
47	872515	1	• Shaft		
48	872794	2	• Disc spring		
49	872524	1	• Valve		
50		1	• Valve		
51	1521240	1	• Ball		
52		3	• Piston ring		Included in piston ring kit.
53	872701	1	• Sealing ring		Included in gasket kit.
54	872525	1	• Housing		
55	872585	1	• Spring		
56	(873519)	1	• Service kit		Obsolete part
57	872567	1	• Cardboard tube		
58	977890	1	• O-ring		Included in gasket kit.
59	925058	2	• O-ring		Included in gasket kit.
60	872526	1	• Intermediate lever		
61	955252	1	• Hexagon screw		
62	940090	2	• Washer		
63	963104	1	• Lock nut		
64	872075	1	• Anchorage		
65	(873265)	1	• E-clip		Obsolete part
66	872528	1	• Bracket		
67	872074	1	• Retainer		
68	872076	2	• Washer		
69	956083	2	• Cross recessed screw		
70	967949	1	• Flange screw		

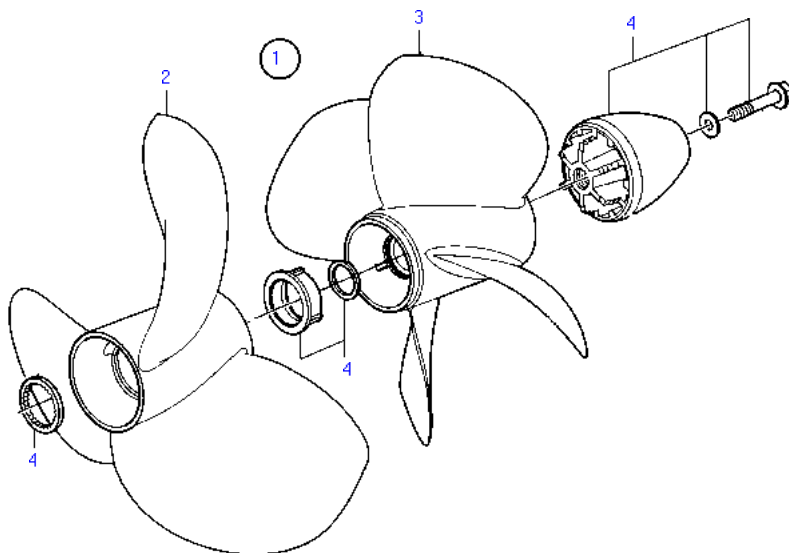
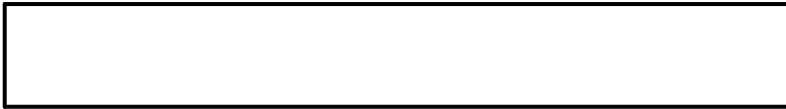
REF	PART NO.	QTY	DESCRIPTION	SEE SEC.	NOTES
71	872529	1	• Cardboard tube		
72	955983	2	• O-ring		Included in gasket kit.
73	183801	1	• Ball		
74	872586	1	• Spring		
75	184796	1	• Needle roller		
76	977913	X	• Shim		TH=0.10mm
	977914	X	• Shim		TH=0.15mm
	977915	X	• Shim		TH=0.35mm
77	977910	X	• Shim		TH=0.10mm
	977911	X	• Shim		TH=0.15mm
	977912	X	• Shim		TH=0.35mm
78	978912	X	• Shim		TH=0,30mm
	(977909)	X	• Shim		Obsolete part, TH=0.35mm
	978913	X	• Shim		TH=0,40mm
	978914	X	• Shim		TH=0,45mm
	978915	X	• Shim		TH=0,50mm
	978916	X	• Shim		TH=0,55mm
79	978917	X	• Shim		TH=0,50mm
80	422413	11	• Sealing ring		Included in gasket kit.
81	925263	3	• O-ring		Included in gasket kit.
82	925260	1	• O-ring		Included in gasket kit.
83	948866	1	• O-ring		Included in gasket kit.
84	949659	1	• O-ring		Included in gasket kit.
85	947760	28	• Flange screw		
86		1	• Sign		
87	950885	2	• Drive screw		
88		1	• Lifting eye		
89	872605	1	• Bracket		
90	840274	1	• Nipple		
91	834337	1	• Oil filter		
			• Bulletin P-18-3-8	P-18-3-8-EN	Return/Scrap of Oil Filter
92	872626	1	• Oil cooler		
93	872637	1	• Hose		
94	872638	1	• Hose		
95	192639	2	• Nipple		
96	947624	4	• Gasket		Included in gasket kit.
97	872615	1	• Bracket		
98	961674	2	• Hose clamp		
99	3858156	1	• Dipstick		
100	872608	2	• Hub		
101	872611	2	• Cylinder		
102	978906	1	• Support washer		
103	977917	3	• Plug		
104	947620	3	• Gasket		Included in gasket kit.
105	872577	1	• Oil strainer		
106	1381498	2	• Plug		
107	876588	1	Gasket kit		See group 99
	3885079	1	Disc kit		2pcs disc kit needed, See group 99
	876589	1	Piston kit		See group 99



REF	PART NO.	QTY	DESCRIPTION	SEE SEC.	NOTES
1	873172	1	Transmission		Ratio 2.62:1
	3803508	1	Lower gear, exch, exch		Ratio 2.62:1
2	(872500)	1	• Gear housing		Obsolete part
3	872574	1	• Shield		
4	872501	1	• Cardboard tube		
5	872725	1	• Valve housing		
6	872534	1	• Drive gear set		
7	872505	1	• Bearing housing		
8	872506	1	• Bearing housing		
9	3851512	1	• Oil pump		
9A		1	• • Oil pump housing		
10	945065	3	• • Plug		
11	969011	3	• • Gasket		
12		1	• • Lock		
13	942001	6	• • Hex. socket screw		
14	6842273	1	• • Lip seal		Included in gasket kit.
15		1	• • Pump element		
16		14	• Disc		Included in disc kit.
17		16	• Disc		Included in disc kit.
18	872580	26	• Spring		
19	3861194	2	• Piston		
20	977891	2	• O-ring		Included in gasket kit., Included in piston ring kit.
21		2	• Piston ring		Included in piston ring kit.
22		2	• O-ring		Included in piston ring kit.
23	872522	2	• Lock ring		
24	184175	4	• Needle roller assemb		
25	184239	2	• Raceway washer		
26	872581	2	• Spring washer		
27	956000	2	• O-ring		Included in gasket kit.
28	872570	2	• Thrust washer		
29	184798	4	• Needle roller assemb		
30	872587	1	• Roller bearing		
31	969072	1	• Round nut		Included in gasket kit.
32	969073	2	• Round nut		Included in gasket kit.
33	872520	1	• Washer		
34	969074	1	• Round nut		Included in gasket kit.
35	181304	1	• Cup		
36	181303	1	• Inner ring		
37	183403	2	• Cup		
38	183649	2	• Inner ring		
39	181036	2	• Cup		
40	184797	2	• Inner ring		
41	183232	1	• Roller bearing		
42	872521	1	• Spacer sleeve		
43	872568	1	• Pretensioning sleeve		
44	872569	1	• Pretensioning sleeve		
45	872523	1	• Flange		
46	872507	1	• Drive gear set		
47	872515	1	• Shaft		
48	872794	2	• Disc spring		
49	872524	1	• Valve		
50		1	• Valve		
51	1521240	1	• Ball		
52		3	• Piston ring		Included in piston ring kit.
53	872701	1	• Sealing ring		Included in gasket kit.
54	872525	1	• Housing		
55	872585	1	• Spring		
56	(873519)	1	• Service kit		Obsolete part
57	872567	1	• Cardboard tube		
58	977890	1	• O-ring		Included in gasket kit.
59	925058	2	• O-ring		Included in gasket kit.
60	872526	1	• Intermediate lever		
61	955252	1	• Hexagon screw		
62	940090	2	• Washer		
63	963104	1	• Lock nut		
64	872075	1	• Anchorage		
65	(873265)	1	• E-clip		Obsolete part
66	872528	1	• Bracket		
67	872074	1	• Retainer		
68	872076	2	• Washer		
69	956083	2	• Cross recessed screw		
70	967949	1	• Flange screw		

REF	PART NO.	QTY	DESCRIPTION	SEE SEC.	NOTES
71	872529	1	• Cardboard tube		
72	955983	2	• O-ring		Included in gasket kit.
73	183801	1	• Ball		
74	872586	1	• Spring		
75	184796	1	• Needle roller		
76	977913	X	• Shim		TH=0.10mm
	977914	X	• Shim		TH=0.15mm
	977915	X	• Shim		TH=0.35mm
77	977910	X	• Shim		TH=0.10mm
	977911	X	• Shim		TH=0.15mm
	977912	X	• Shim		TH=0.35mm
78	978912	X	• Shim		TH=0,30mm
	(977909)	X	• Shim		Obsolete part, TH=0.35mm
	978913	X	• Shim		TH=0,40mm
	978914	X	• Shim		TH=0,45mm
	978915	X	• Shim		TH=0,50mm
	978916	X	• Shim		TH=0,55mm
79	978917	X	• Shim		TH=0,50mm
80	422413	11	• Sealing ring		Included in gasket kit.
81	925263	3	• O-ring		Included in gasket kit.
82	925260	1	• O-ring		Included in gasket kit.
83	948866	1	• O-ring		Included in gasket kit.
84	949659	1	• O-ring		Included in gasket kit.
85	947760	28	• Flange screw		
86		1	• Sign		
87	950885	2	• Drive screw		
88		1	• Lifting eye		
89	872605	1	• Bracket		
90	840274	1	• Nipple		
91	834337	1	• Oil filter		
			Bulletin P-18-3-8	P-18-3-8-EN	Return/Scrap of Oil Filter
92	872626	1	• Oil cooler		
93	872637	1	• Hose		
94	872638	1	• Hose		
95	192639	2	• Nipple		
96	947624	4	• Gasket		Included in gasket kit.
97	872615	1	• Bracket		
98	961674	2	• Hose clamp		
99	3858156	1	• Dipstick		
100	872608	2	• Hub		
101	872611	2	• Cylinder		
102	978906	1	• Support washer		
103	977917	3	• Plug		
104	947620	3	• Gasket		Included in gasket kit.
105	872577	1	• Oil strainer		
106	1381498	2	• Plug		
107	876588	1	Gasket kit		See group 99
	3885079	1	Disc kit		2pcs disc kit needed, See group 99
	876589	1	Piston kit		See group 99

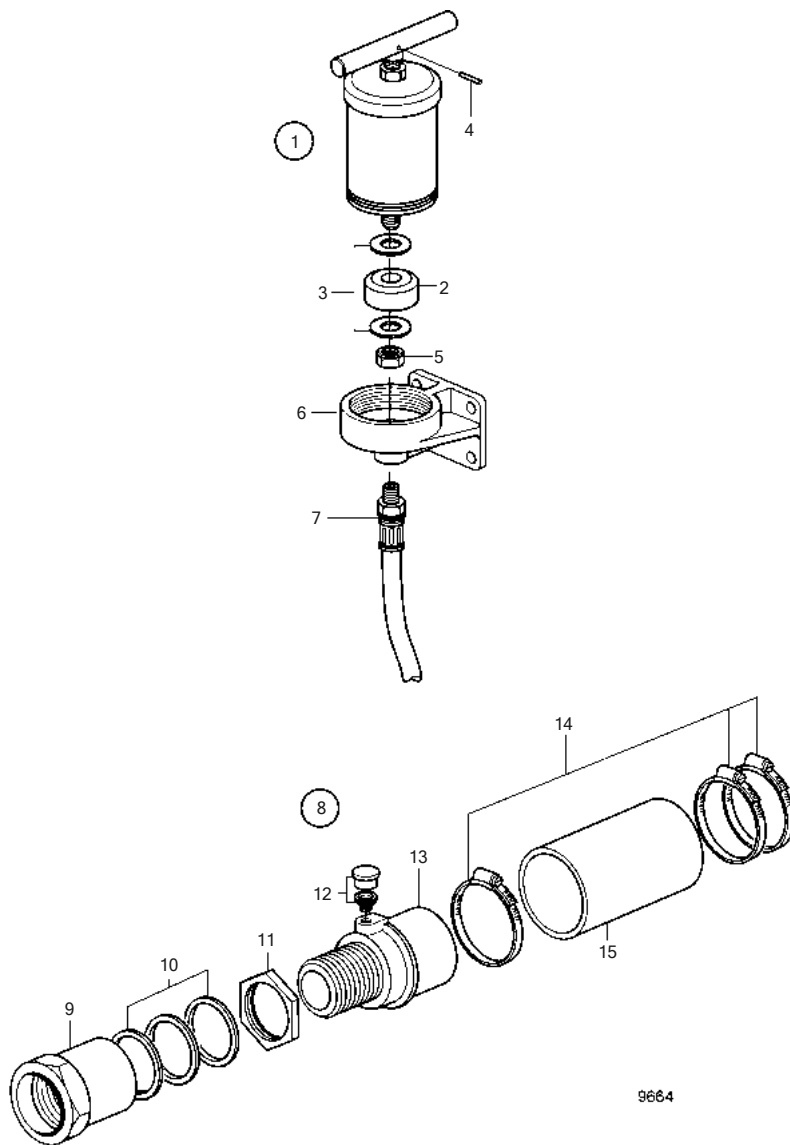




27257

REF	PART NO.	QTY	DESCRIPTION	SEE SEC.	NOTES
1	21924262	1	Propeller kit • Bulletin P-44-7-20	P-44-7-20-EN	Set, J2 New propeller series for classic Duoprop drives DP280-290, DP-A to DP-E drives
1	21924263	1	Propeller kit • Bulletin P-44-7-20	P-44-7-20-EN	Set, J3 New propeller series for classic Duoprop drives DP280-290, DP-A to DP-E drives
1	21924264	1	Propeller kit • Bulletin P-44-7-20	P-44-7-20-EN	Set, J4 New propeller series for classic Duoprop drives DP280-290, DP-A to DP-E drives
1	21924265	1	Propeller kit • Bulletin P-44-7-20	P-44-7-20-EN	Set, J5 New propeller series for classic Duoprop drives DP280-290, DP-A to DP-E drives
1	21924266	1	Propeller kit • Bulletin P-44-7-20	P-44-7-20-EN	Set, J6 New propeller series for classic Duoprop drives DP280-290, DP-A to DP-E drives
1	21924267	1	Propeller kit • Bulletin P-44-7-20	P-44-7-20-EN	Set, J7 New propeller series for classic Duoprop drives DP280-290, DP-A to DP-E drives
1	21924268	1	Propeller kit • Bulletin P-44-7-20	P-44-7-20-EN	Set, J8 New propeller series for classic Duoprop drives DP280-290, DP-A to DP-E drives
1	21924269	1	Propeller kit • Bulletin P-44-7-20	P-44-7-20-EN	Set, J9 New propeller series for classic Duoprop drives DP280-290, DP-A to DP-E drives
1	21924270	1	Propeller kit • Bulletin P-44-7-20	P-44-7-20-EN	Set, J10 New propeller series for classic Duoprop drives DP280-290, DP-A to DP-E drives
2	21924222	1	• Propeller		Front, J2
	21924223	1	• Propeller		Front, J3
	21924224	1	• Propeller		Front, J4
	21924225	1	• Propeller		Front, J5
	21924226	1	• Propeller		Front, J6
	21924227	1	• Propeller		Front, J7
	21924228	1	• Propeller		Front, J8
	21924229	1	• Propeller		Front, J9
	21924230	1	• Propeller		Front, J10
3	21924242	1	• Propeller		Rear, J2
	21924243	1	• Propeller		Rear, J3
	21924244	1	• Propeller		Rear, J4
	21924245	1	• Propeller		Rear, J5
	21924246	1	• Propeller		Rear, J6
	21924247	1	• Propeller		Rear, J7
	21924248	1	• Propeller		Rear, J8
	21924249	1	• Propeller		Rear, J9
	21924250	1	• Propeller		Rear, J10
4		X	thrust washers, nut and propeller cone		Parts for installation of propellers can be found in section for gear housing lower

AD31L-A, AD31P-A, AD41L-A, AD41P-A, D41L-A, TAM31L-A, TAM31M-A,  
 TAM31P-A, TAM31S-A, TAM41H-A, TAM41H-B, TAM41P-A,  
 TAM41L-A, TAM41M-A, TMD31L-A, TMD41L-A



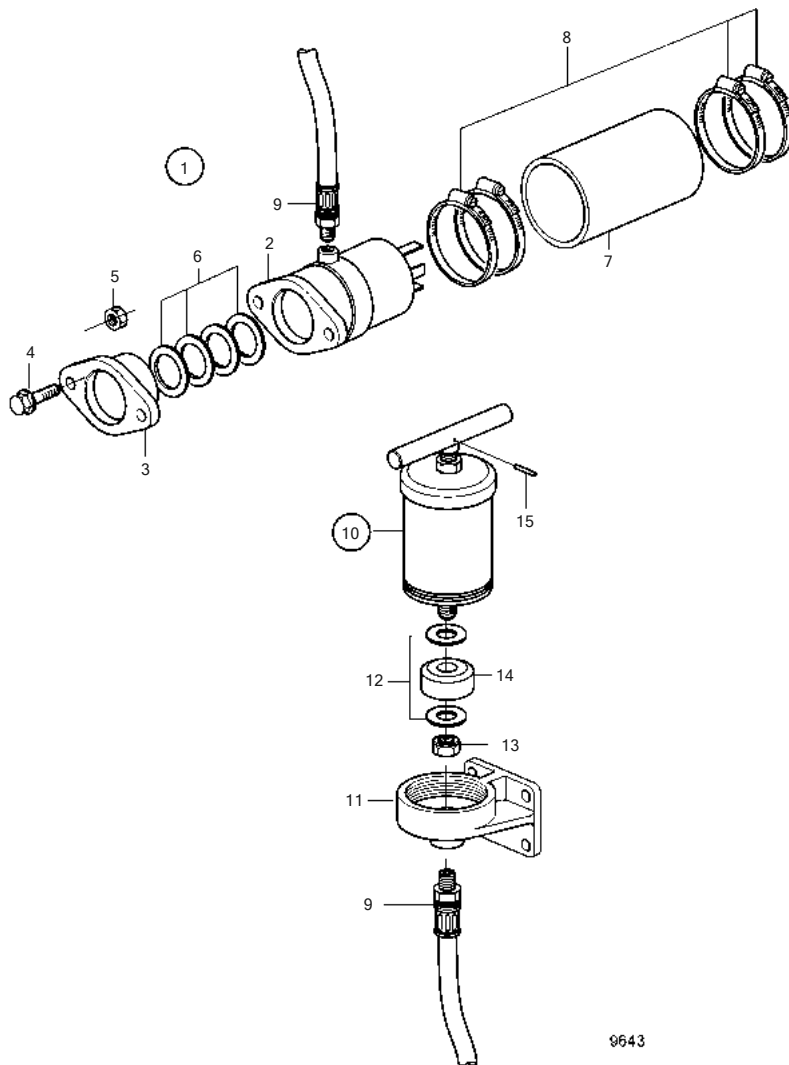
## Greaser and Stuffing Box

44

AD31L-A, AD31P-A, AD41L-A, AD41P-A, D41L-A, TAMD31L-A, TAMD31M-A, TAMD31P-A,  
TAMD31S-A, TAMD41H-A, TAMD41H-B, TAMD41P-A, TAMD41L-A, TAMD41M-A,  
TMD31L-A, TMD41L-A

REF	PART NO.	QTY	DESCRIPTION	NOTES
1	827184	1	Grease press	
2	815579	1	• Leather cuff	
3	948087	2	• Washer	
4	(907173)	1	• Grooved pin	Obsolete part
5	950354	1	• Lock nut	
6		1	• Retainer	
7	833842	1	Hose	
8	859013	1	Stuffing box	D=30mm
	859014	1	Stuffing box	D=35mm
9		1	• Nut	
10	859006	3	• Box gasket	D=30mm
	859007	3	• Box gasket	D=35mm
11		1	• Nut	
12	914138	1	• Lubricator	
13		1	• Stuffing box	
14	961674	3	• Hose clamp	
15	825673	X	• Rubber hose	D=30mm
	(827179)	X	• Rubber hose	D=35mm, Obsolete part

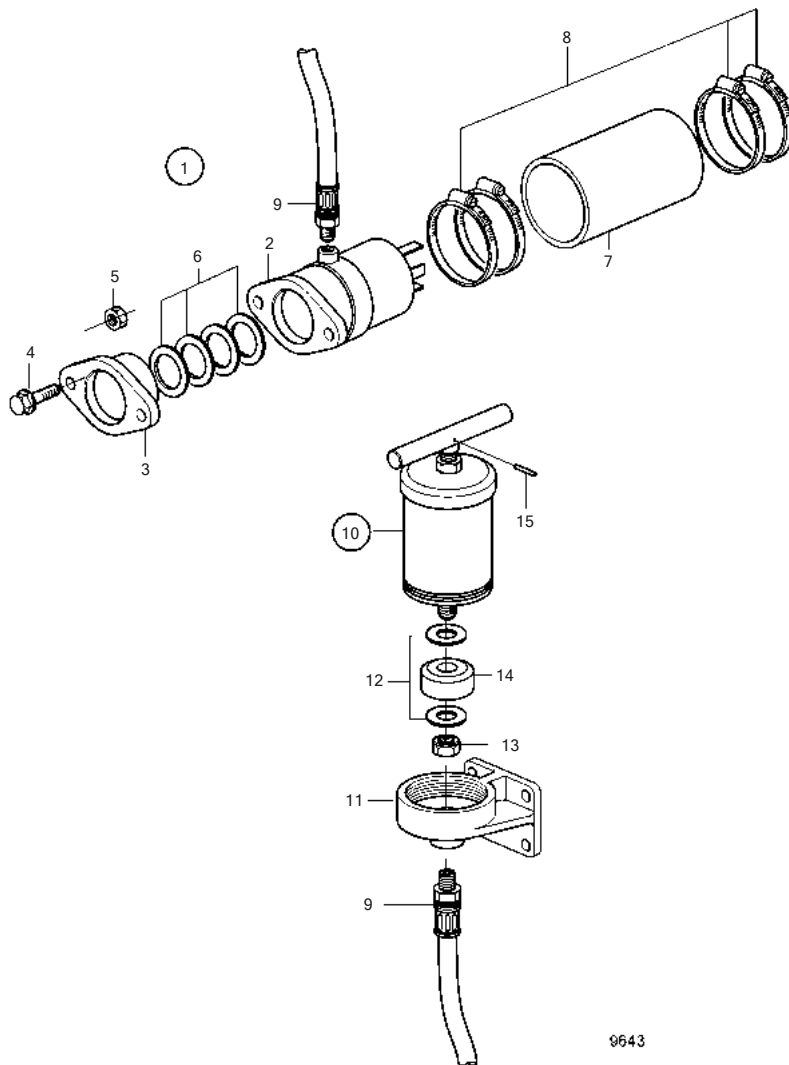
AD31L-A, AD31P-A, AD41L-A, AD41P-A, D41L-A, TAM31L-A, TAM31M-A,  
 TAM31P-A, TAM31S-A, TAM41H-A, TAM41H-B, TAM41P-A,  
 TAM41L-A, TAM41M-A, TMD31L-A, TMD41L-A



AD31L-A, AD31P-A, AD41L-A, AD41P-A, D41L-A, TAMD31L-A, TAMD31M-A, TAMD31P-A,  
TAMD31S-A, TAMD41H-A, TAMD41H-B, TAMD41P-A, TAMD41L-A, TAMD41M-A,  
TMD31L-A, TMD41L-A

REF	PART NO.	QTY	DESCRIPTION	NOTES
1	859016	1	Stuffing box	D=40mm
2	(828137)	1	• Stuffing box	Obsolete part
3	(828287)	1	• Gland	Obsolete part
4	963568	2	• Hexagon screw	
5	17624	2	• Hexagon nut	
6	859008	4	• Box gasket	
7		1	• Hose	
8	961673	4	• Hose clamp	
9	833842	1	• Hose	
10	827184	1	• Grease press	
11		1	• • End cover	
12	948087	2	• • Washer	
13	950354	1	• • Lock nut	
14	815579	1	• • Leather cuff	
15	(907173)	1	• • Grooved pin	Obsolete part

AD31L-A, AD31P-A, AD41L-A, AD41P-A, D41L-A, TAMD31L-A, TAMD31M-A,  
 TAMD31P-A, TAMD31S-A, TAMD41H-A, TAMD41H-B, TAMD41P-A,  
 TAMD41L-A, TAMD41M-A, TMD31L-A, TMD41L-A



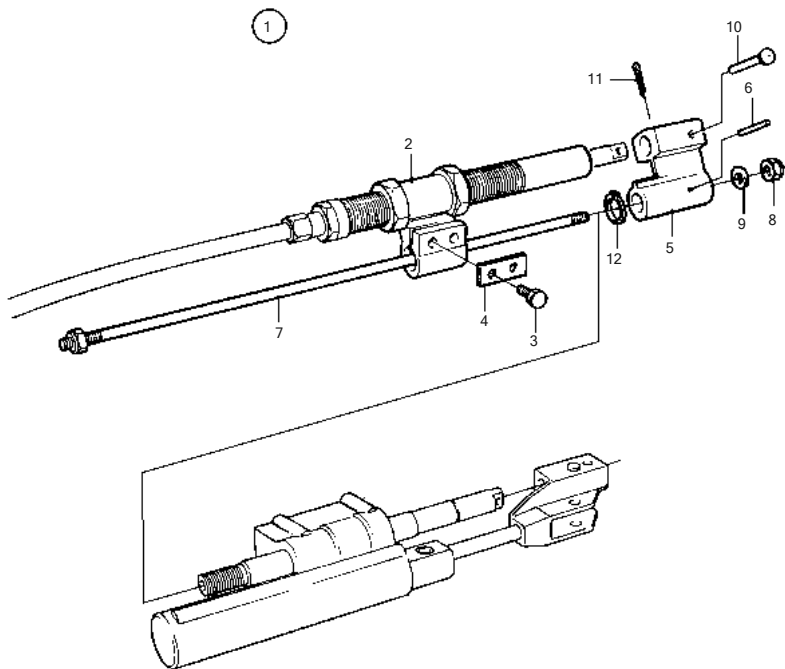
9643

AD31L-A, AD31P-A, AD41L-A, AD41P-A, D41L-A, TAMD31L-A, TAMD31M-A, TAMD31P-A,  
TAMD31S-A, TAMD41H-A, TAMD41H-B, TAMD41P-A, TAMD41L-A, TAMD41M-A,  
TMD31L-A, TMD41L-A

REF	PART NO.	QTY	DESCRIPTION	NOTES
1	859017	1	Stuffing box	D=45mm
2	(828191)	1	• Stuffing box	Obsolete part
3		1	• Gland	
4	963568	2	• Hexagon screw	
5	17624	2	• Hexagon nut	
6	859028	4	• Box gasket	
7	(828172)	1	• Hose	Obsolete part
8	961674	4	• Hose clamp	
9	833842	1	• Hose	
10	827184	1	• Grease press	
11		1	• • End cover	
12	948087	2	• • Washer	
13	950354	1	• • Lock nut	
14	815579	1	• • Leather cuff	
15	(907173)	1	• • Grooved pin	Obsolete part



AD31L-A, AD31P-A, AD41L-A, AD41P-A, D41L-A, TAM31L-A, TAM31M-A,  
TAM31P-A, TAM31S-A, TAM41H-A, TAM41H-B, TAM41P-A,  
TAM41L-A, TAM41M-A, TMD31L-A, TMD41L-A



18714

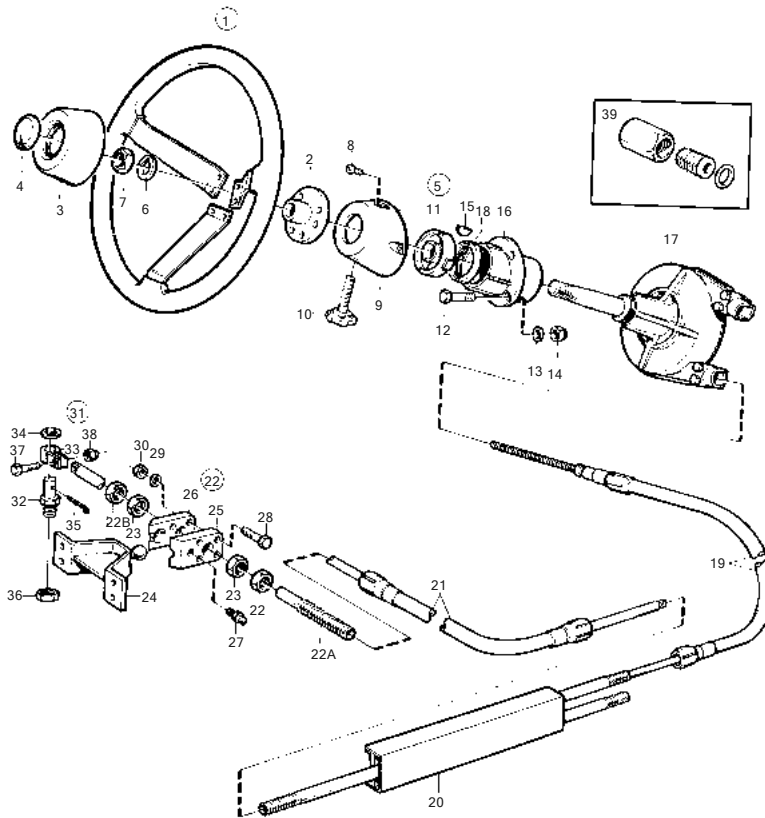
**Connecting Kit for Narrow Hulls**

**64**

AD31L-A, AD31P-A, AD41L-A, AD41P-A, D41L-A, TAMD31L-A, TAMD31M-A, TAMD31P-A, TAMD31S-A, TAMD41H-A, TAMD41H-B, TAMD41P-A, TAMD41L-A, TAMD41M-A, TMD31L-A, TMD41L-A

REF	PART NO.	QTY	DESCRIPTION	NOTES
1	(872375)	1	Connector kit	Obsolete part
2		1	• Bracket	
3	955297	2	• Hexagon screw	
4	872445	1	• Lock washer	
5	(872378)	1	• End piece	Obsolete part
6	951979	1	• Spring pin	
7		1	• Rod	
8	966175	1	• Lock nut	
9	955900	1	• Washer	
10	(851382)	1	• Clevis pin	Obsolete part
11	964960	1	• Split pin	
12	914456	1	• Snap ring	

AD31L-A, AD31P-A, AD41L-A, AD41P-A, D41L-A, TAMD31L-A, TAMD31M-A,  
 TAMD31P-A, TAMD31S-A, TAMD41H-A, TAMD41H-B, TAMD41P-A,  
 TAMD41L-A, TAMD41M-A, TMD31L-A, TMD41L-A



15565

AD31L-A, AD31P-A, AD41L-A, AD41P-A, D41L-A, TAMD31L-A, TAMD31M-A, TAMD31P-A,  
TAMD31S-A, TAMD41H-A, TAMD41H-B, TAMD41P-A, TAMD41L-A, TAMD41M-A,  
TMD31L-A, TMD41L-A

REF	PART NO.	QTY	DESCRIPTION	SEE SEC.	NOTES
1	(850936)	1	Steering wheel		Obsolete part
2		1	• Steering wheel hub		
3	(828943)	1	• Steering wheel pad		Obsolete part
4	(1140660)	1	• Emblem		(850938), Obsolete part
5	3883509	1	Mounting kit		90° white (853182)
	3818098	1	Mounting kit		90° black (1140023)
	3883508	1	Mounting kit		70° white (853183)
	3818096	1	Mounting kit		
6	(3851613)	1	• Washer		Obsolete part
7	955793	1	• Hexagon nut		
8	965325	2	• Cross recessed screw		
9		1	• Cover		
10	(3851612)	1	• Screw		Obsolete part
11	(3851611)	2	• Bearing		Obsolete part
12	955298	4	• Hexagon screw		
13	955894	4	• Washer		
14	946036	4	• Lock nut		
15	160807	1	• Woodruff key		
16		1	• Steering head		
17	3818019	1	Steering gear		(853181)
			• Bulletin P-64-0-1	P-64-0-1-EN	New QL Mechanical and Hydraulic Steering Systems
18	3851614	1	• Nut		
19	3840244	1	Steering cable		L=2,00m
	3840245	1	Steering cable		L=2,25m
	3840246	1	Steering cable		L=2,50m
	3840247	1	Steering cable		L=2,75m
	3840248	1	Steering cable		L=3,00m
	3840249	1	Steering cable		L=3,25m
	3840250	1	Steering cable		L=3,50m
	3840251	1	Steering cable		L=3,75m
	3840252	1	Steering cable		L=4,00m
	3840253	1	Steering cable		L=4,25m
	3840254	1	Steering cable		L=4,50m
	3840255	1	Steering cable		L=4,75m
	3840256	1	Steering cable		L=5,00m
	3840257	1	Steering cable		L=5,25m
	3840258	1	Steering cable		L=5,50m
	3840259	1	Steering cable		L=5,75m
	3840260	1	Steering cable		L=6,00m
	3840261	1	Steering cable		L=6,25m
	3840262	1	Steering cable		L=6,50m
	3840263	1	Steering cable		L=6,75m
	3840264	1	Steering cable		L=7,00m
	3840265	1	Steering cable		L=7,25m
	3840266	1	Steering cable		L=7,50m
	3840267	1	Steering cable		L=7,75m
	3840268	1	Steering cable		L=8,00m
	3840270	1	Steering cable		L=8,25m
	3840272	1	Steering cable		L=8,50m
	3840273	1	Steering cable		L=8,75m
	3840274	1	Steering cable		L=9,00m
20	(853291)	1	Ds unit		Obsolete part
21	853387	1	• Anode		
22	(853290)	1	Stern attachment		Obsolete part
22A	850771	1	• Anchorage		
22B	850778	2	• Nut		
23	853306	2	• Nut		
24	851093	1	• Bracket		
25	828857	1	• Anchorage		
26	828854	1	• Anchorage		
27	951739	1	• Lubricating nipple		
28	940101	2	• Hexagon screw		
29	941906	2	• Spring washer		
30	963105	2	• Lock nut		
31	828924	1	• Ball joint kit		
32		1	• • Split pin bolt		
33	(851116)	1	• • Bracket		Obsolete part
34	955897	1	• • Washer		
35	967707	1	• • Split pin		
36	963119	1	• • Lock nut		





AD31L-A, AD31P-A, AD41L-A, AD41P-A, D41L-A, TAMD31L-A, TAMD31M-A, TAMD31P-A, TAMD31S-A, TAMD41H-A, TAMD41H-B, TAMD41P-A, TAMD41L-A, TAMD41M-A, TMD31L-A, TMD41L-A

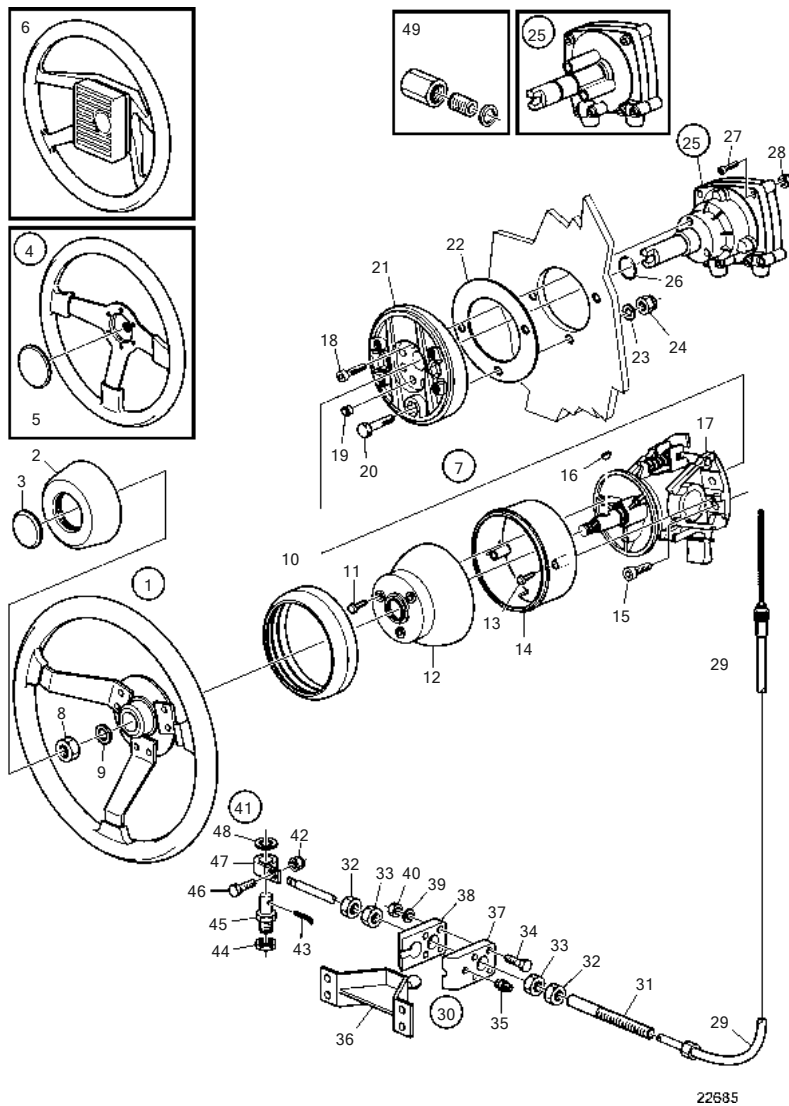
REF	PART NO.	QTY	DESCRIPTION	SEE SEC.	NOTES
1	(850936)	1	Steering wheel		Obsolete part
2		1	• Steering wheel pad		
3	(1140660)	1	• Emblem		(850938), Obsolete part
4	3843317	1	Wheel		
			• Bulletin P-64-0-2	P-64-0-2-EN	New range of steering wheels
5		1	• Emblem		
6	21729995	1	Steering wheel		
			• Bulletin P-64-0-2	P-64-0-2-EN	New range of steering wheels
7	21971826	1	Decal		
8	21649809	1	Steering wheel		
			• Bulletin P-64-0-2	P-64-0-2-EN	New range of steering wheels
9	21989383	1	Decal		
10	21673214	1	Steering wheel		
			• Bulletin P-64-0-2	P-64-0-2-EN	New range of steering wheels
11	21971826	1	Decal		
12	1140334	1	Steering wheel		
	1140335		Steering wheel		
13	3818096	1	Mounting kit		70° black
	3818098	1	Mounting kit		90° black
	3883508	1	Mounting kit		70° white
	3883509	1	Mounting kit		70° black
14	971084	1	• Lock nut		
15	955897	1	• Washer		
16		1	• Cover		90°
		1	• Cover		70°
17	969476	2	• 6 point socket screw		
18		1	• Bracket		90°
		1	• Bracket		70°
19	959226	3	• Hex. socket screw		
20	976944	3	• Washer		
21	946036	3	• Lock nut		
22	959220	3	• Hex. socket screw		
23	160807	1	• Woodruff key		
24	3818019	1	Steering gear		Std, fixed wheel
			• Bulletin P-64-0-1	P-64-0-1-EN	New QL Mechanical and Hydraulic Steering Systems
24	3818023	1	Steering gear		No feedback, fixed wheel
			• Bulletin P-64-0-1	P-64-0-1-EN	New QL Mechanical and Hydraulic Steering Systems
25	955278	2	• Hexagon screw		
26	963105	2	• Lock nut		
27	3840244	1	Steering cable		L=2000mm
	3840245	1	Steering cable		L=2250mm
	3840246	1	Steering cable		L=2500mm
	3840247	1	Steering cable		L=2750mm
	3840248	1	Steering cable		L=3000mm
	3840249	1	Steering cable		L=3250mm
	3840250	1	Steering cable		L=3500mm
	3840251	1	Steering cable		L=3750mm
	3840252	1	Steering cable		L=4000mm
	3840253	1	Steering cable		L=4250mm
	3840254	1	Steering cable		L=4500mm
	3840255	1	Steering cable		L=4750mm
	3840256	1	Steering cable		L=5000mm
	3840257	1	Steering cable		L=5250mm
	3840258	1	Steering cable		L=5500mm
	3840259	1	Steering cable		L=5750mm
	3840260	1	Steering cable		L=6000mm
	3840261	1	Steering cable		L=6250mm
	3840262	1	Steering cable		L=6500mm
	3840263	1	Steering cable		L=6750mm
	3840264	1	Steering cable		L=7000mm
	3840265	1	Steering cable		L=7250mm
	3840266	1	Steering cable		L=7500mm
	3840267	1	Steering cable		L=7750mm
	3840268	1	Steering cable		L=8000mm
	3840270	1	Steering cable		L=8250mm
	3840272	1	Steering cable		L=8500mm
	3840273	1	Steering cable		L=8750mm
	3840274	1	Steering cable		L=9000mm
28	(853290)	1	Stern attachment		Obsolete part

AD31L-A, AD31P-A, AD41L-A, AD41P-A, D41L-A, TAMD31L-A, TAMD31M-A, TAMD31P-A,  
TAMD31S-A, TAMD41H-A, TAMD41H-B, TAMD41P-A, TAMD41L-A, TAMD41M-A,  
TMD31L-A, TMD41L-A

REF	PART NO.	QTY	DESCRIPTION	SEE SEC.	NOTES
29	850771	1	· Anchorage		
30	850778	2	· Nut		
31	853306	2	· Nut		
32	940101	2	· Hexagon screw		
33	951739	1	· Lubricating nipple		
34	851093	1	· Bracket		
35	828857	1	· Anchorage		
36	828854	1	· Anchorage		
37	941906	2	· Spring washer		
38	963105	2	· Lock nut		
39	828924	1	· Ball joint kit		
40	(966171)	1	· · Lock nut		Obsolete part
41	967707	1	· · Split pin		
42	963119	1	· · Lock nut		
43		1	· · Split pin bolt		
44		1	· · Shoulder screw		
45		1	· · Bracket		
46	955897	1	· · Washer		
47	853214	1	Adapter		For alternative steering cables.



AD31L-A, AD31P-A, AD41L-A, AD41P-A, D41L-A, TAMD31L-A, TAMD31M-A, TAMD31P-A, TAMD31S-A, TAMD41H-A, TAMD41H-B, TAMD41P-A, TAMD41L-A, TAMD41M-A, TMD31L-A, TMD41L-A



22685

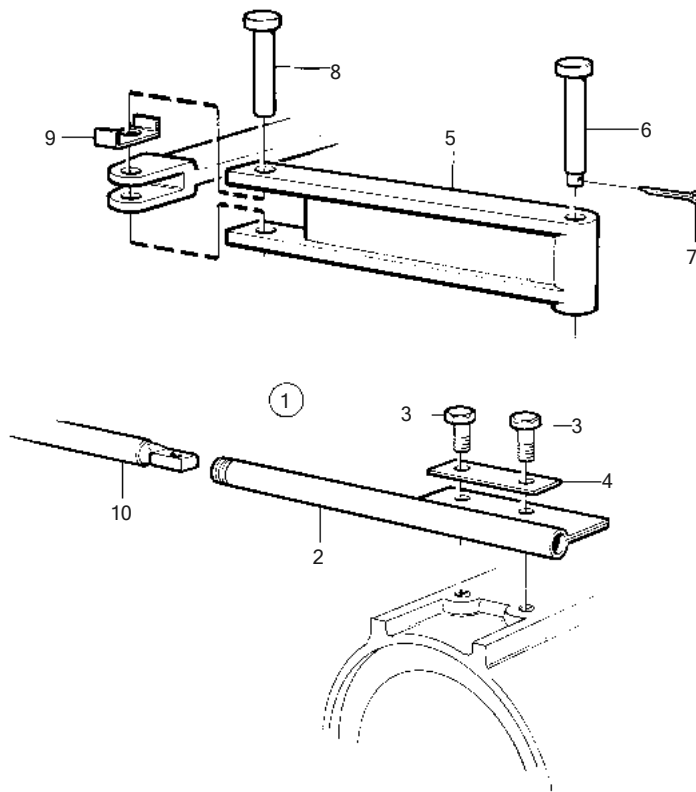
AD31L-A, AD31P-A, AD41L-A, AD41P-A, D41L-A, TAMD31L-A, TAMD31M-A, TAMD31P-A, TAMD31S-A, TAMD41H-A, TAMD41H-B, TAMD41P-A, TAMD41L-A, TAMD41M-A, TMD31L-A, TMD41L-A

REF	PART NO.	QTY	DESCRIPTION	SEE SEC.	NOTES
1	(850936)	1	Steering wheel		Alt, Obsolete part
2		1	• Steering wheel pad		
3	(1140660)	1	• Emblem		(850938), Obsolete part
4	3843317	1	Wheel		Alt
			• Bulletin P-64-0-2	P-64-0-2-EN	New range of steering wheels
5		1	• Emblem		
6	1140334	1	Steering wheel		Alt, white
	1140335	1	Steering wheel		Alt, black
7	3841280	1	Steering wheel adjus		
8	971084	1	• Lock nut		
9	955897	1	• Washer		
10		1	• Sealing strip		
11		3	• Screw		
12		1	• Cover		Agile
13		2	• Screw		
14		1	• Cover		Fixed
15		4	• Allen head screw		
16	160807	1	• Woodruff key		
17		1	• Anchorage		Steering wheel
18		3	• Allen head screw		
19		5	• Plug		
20		3	• Screw		
21		1	• Bracket		
22		1	• Gasket		
23		3	• Washer		
24		3	• Nut		
25	3818025	1	Steering gear		T81C
			• Bulletin P-64-0-1	P-64-0-1-EN	New QL Mechanical and Hydraulic Steering Systems
25	3818027	1	Steering gear		No-feedback, tilt wheel
			• Bulletin P-64-0-1	P-64-0-1-EN	New QL Mechanical and Hydraulic Steering Systems
26	990696	1	• O-ring		
27	955278	2	• Hexagon screw		
28	963105	2	• Lock nut		
29	3840244	1	Steering cable		L=2000mm
	3840245	1	Steering cable		L=2250mm
	3840246	1	Steering cable		L=2500mm
	3840247	1	Steering cable		L=2750mm
	3840248	1	Steering cable		L=3000mm
	3840249	1	Steering cable		L=3250mm
	3840250	1	Steering cable		L=3500mm
	3840251	1	Steering cable		L=3750mm
	3840252	1	Steering cable		L=4000mm
	3840253	1	Steering cable		L=4250mm
	3840254	1	Steering cable		L=4500mm
	3840255	1	Steering cable		L=4750mm
	3840256	1	Steering cable		L=5000mm
	3840257	1	Steering cable		L=5250mm
	3840258	1	Steering cable		L=5500mm
	3840259	1	Steering cable		L=5750mm
	3840260	1	Steering cable		L=6000mm
	3840261	1	Steering cable		L=6250mm
	3840262	1	Steering cable		L=6500mm
	3840263	1	Steering cable		L=6750mm
	3840264	1	Steering cable		L=7000mm
	3840265	1	Steering cable		L=7250mm
	3840266	1	Steering cable		L=7500mm
	3840267	1	Steering cable		L=7750mm
	3840268	1	Steering cable		L=8000mm
	3840270	1	Steering cable		L=8250mm
	3840272	1	Steering cable		L=8500mm
	3840273	1	Steering cable		L=8750mm
	3840274	1	Steering cable		L=9000mm
30	(853290)	1	Stern attachment		Obsolete part
31	850771	1	• Anchorage		
32	850778	2	• Nut		
33	853306	2	• Nut		
34	940101	2	• Hexagon screw		
35	951739	1	• Lubricating nipple		
36	851093	1	• Bracket		

AD31L-A, AD31P-A, AD41L-A, AD41P-A, D41L-A, TAMD31L-A, TAMD31M-A, TAMD31P-A,  
TAMD31S-A, TAMD41H-A, TAMD41H-B, TAMD41P-A, TAMD41L-A, TAMD41M-A,  
TMD31L-A, TMD41L-A

REF	PART NO.	QTY	DESCRIPTION	SEE SEC.	NOTES
37	828857	1	· Anchorage		
38	828854	1	· Anchorage		
39	941906	2	· Spring washer		
40	963105	2	· Lock nut		
41	828924	1	· Ball joint kit		
42	(966171)	1	· · Lock nut		Obsolete part
43	967707	1	· · Split pin		
44	963119	1	· · Lock nut		
45		1	· · Split pin bolt		
46		1	· · Shoulder screw		
47		1	· · Bracket		
48	955897	1	· · Washer		
49	853214	1	Adapter		For alternative steering cables.

AD31L-A, AD31P-A, AD41L-A, AD41P-A, D41L-A

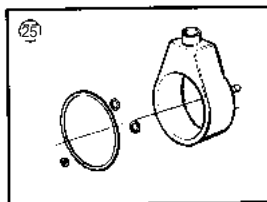
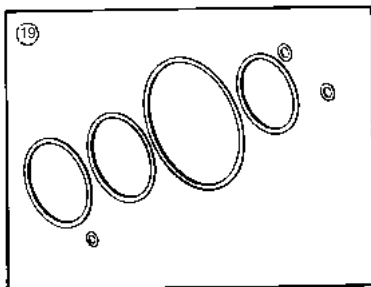
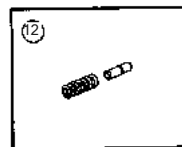
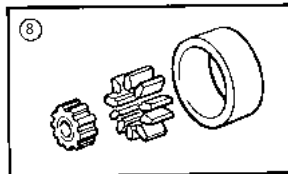
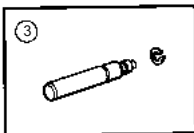
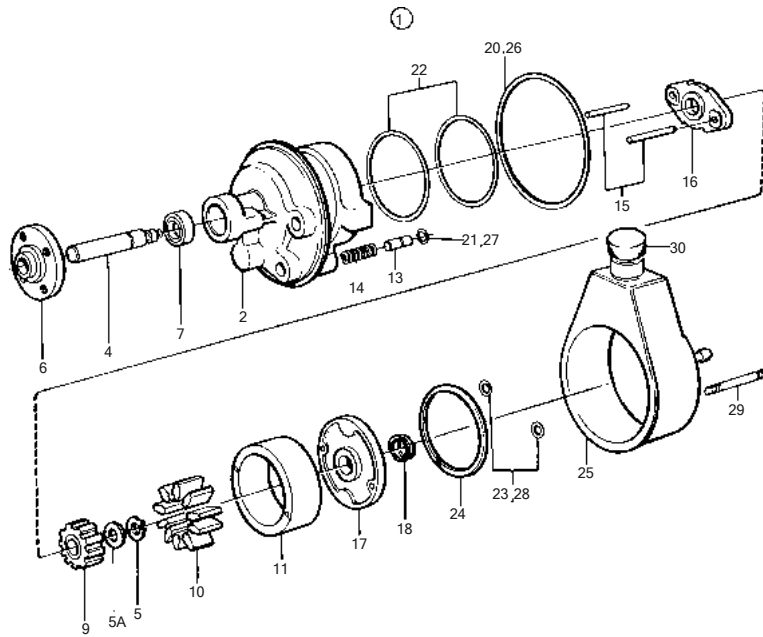


10693

AD31L-A, AD31P-A, AD41L-A, AD41P-A, D41L-A

REF	PART NO.	QTY	DESCRIPTION	SEE SEC.	NOTES
1	872388	1	Steering cable attac		
2	1140568	1	• Pipe		
3	970971	2	• Hexagon screw		
4	872311	1	• Tab washer		
5	1140567	1	• Link rod		
6	1140566	1	• Clevis pin		
7	944149	1	• Split pin		
8	1140565	1	• Bolt		Obsolete part
9	1140579	1	• Lock washer		
10		1	Steering cable	225	

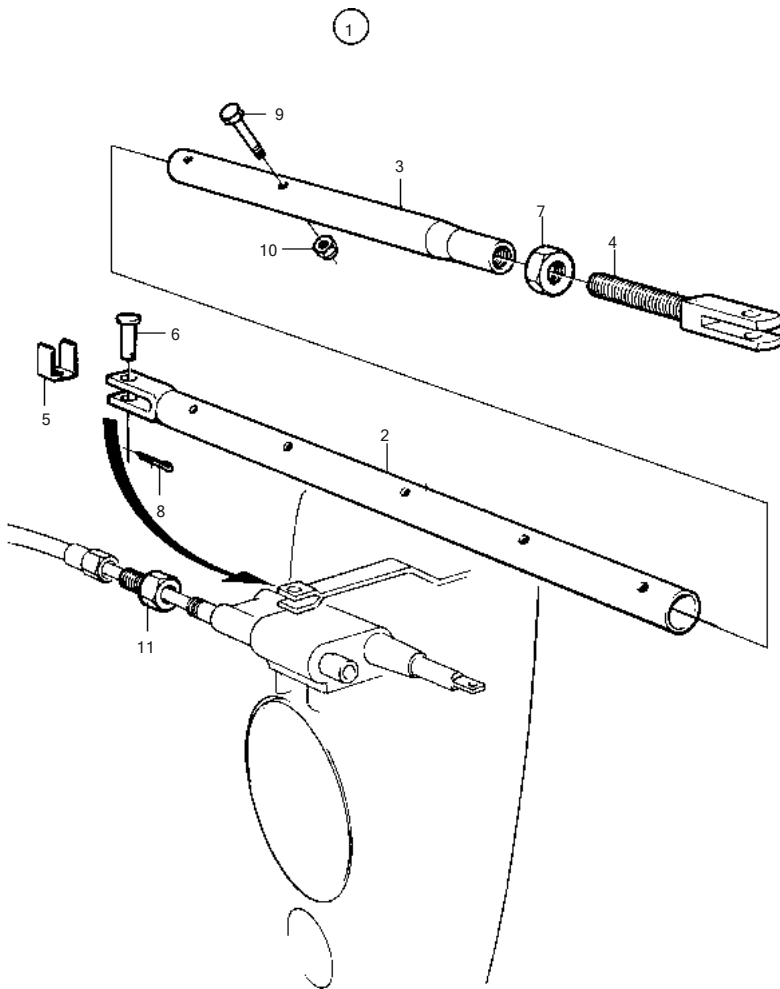
AD31L-A, AD31P-A, AD41L-A, AD41P-A, D41L-A, TAMD31L-A, TAMD31M-A, TAMD31P-A, TAMD31S-A, TAMD41H-A, TAMD41H-B, TAMD41P-A, TAMD41L-A, TAMD41M-A, TMD31L-A, TMD41L-A



7222

AD31L-A, AD31P-A, AD41L-A, AD41P-A, D41L-A, TAMD31L-A, TAMD31M-A, TAMD31P-A, TAMD31S-A, TAMD41H-A, TAMD41H-B, TAMD41P-A, TAMD41L-A, TAMD41M-A, TMD31L-A, TMD41L-A

REF	PART NO.	QTY	DESCRIPTION	NOTES
1	(838310)	1	Power steering pump	Obsolete part
2		1	· Housing	
3		1	· Drive shaft kit	
4		1	· Axle shaft	
5	273881	1	· Ring kit	
5A	(1272634)	X	· Adjusting washer	TH=0.05mm, Obsolete part
5	(1272635)	X	· Adjusting washer	TH=0.10mm, Obsolete part
	(1272636)	X	· Adjusting washer	TH=0.20mm, Obsolete part
	(1272637)	X	· Adjusting washer	TH=0.30mm, Obsolete part
6		1	· Hub	
7	1272412	2	· Seal	
8		1	· Rotor kit	
9		1	· Rotor	
10		1	· Vane	
11		1	· Ring	
12	(273905)	1	· Valve kit	Obsolete part
13		1	· · Valve	
14		1	· · Spring	
15	(1272427)	1	· Pin	Obsolete part
16	(1329586)	1	· Plate	Obsolete part
17		1	· Plate	
18	(1329589)	1	· Lock ring	Obsolete part
19	855735	1	· Sealing kit	
20		1	· · O-ring	
21		1	· · O-ring	
22		2	· · O-ring	
23		2	· · O-ring	
24	(1272431)	1	· · Lock ring	Obsolete part
25	855544	1	· Oil reservoir kit	
26		1	· · O-ring	
27		1	· · O-ring	
28		1	· · O-ring	
29	855574	2	· Stud	
30	(1330839)	1	· Cover	Obsolete part

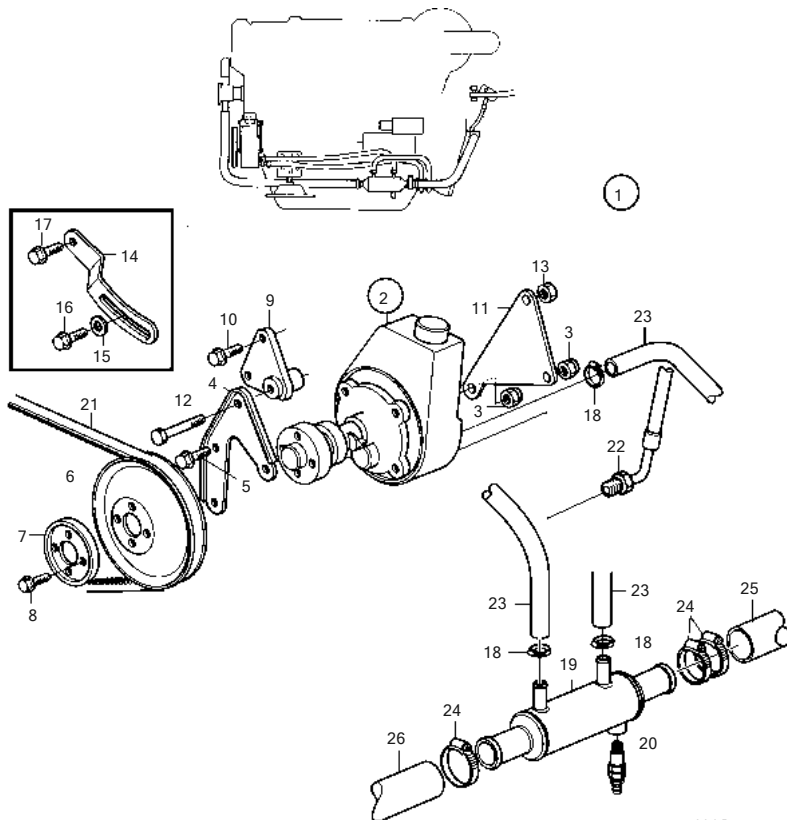


18713



REF	PART NO.	QTY	DESCRIPTION	NOTES
1	1140610	1	Link rod kit	L=610-970mm
2	828892	1	• Tube	
3	828893	1	• Tube	
4	828894	1	• Adjusting bar	
5	853160	2	• Lock washer	
6	913158	2	• Clevis pin	
7	955806	1	• Hexagon nut	
8	967707	2	• Split pin	
9	970951	2	• Hexagon screw	
10	971089	2	• Lock nut	
11	1140020	1	Impulse limiter	For twin installation.

AD31L-A, AD31P-A

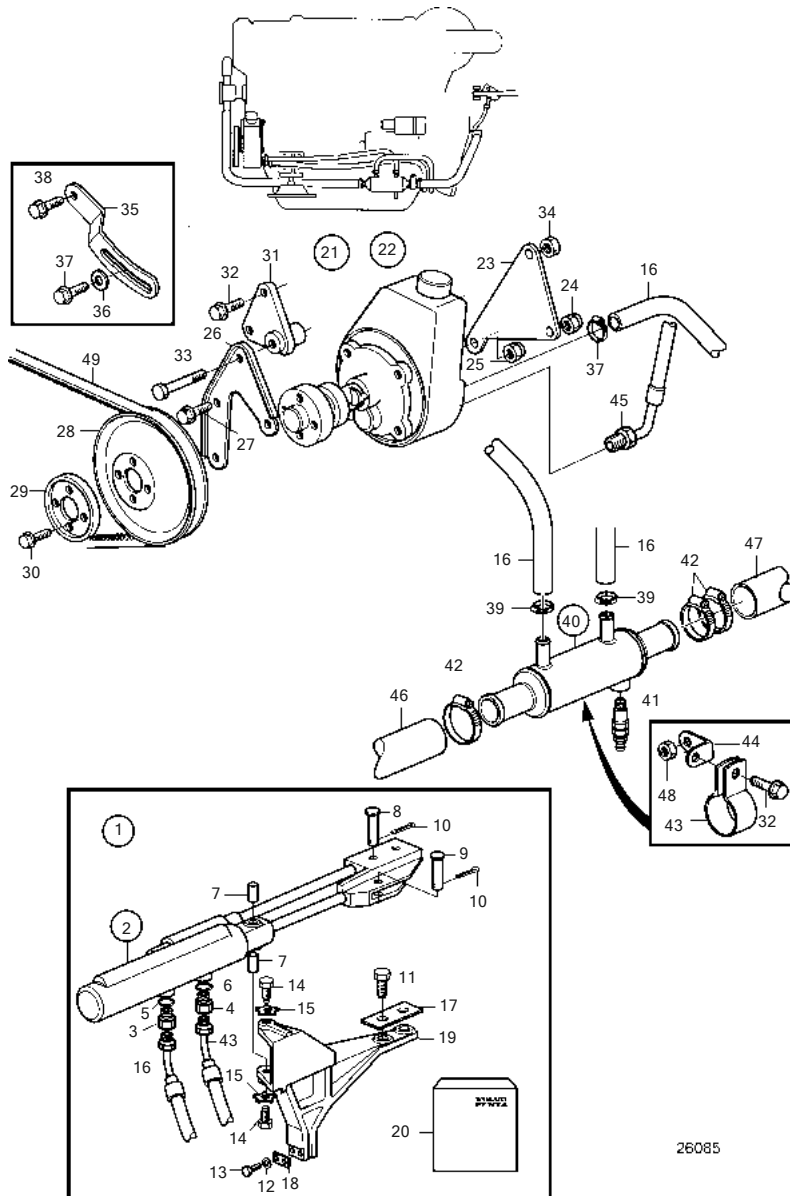


23051

AD31L-A, AD31P-A

REF	PART NO.	QTY	DESCRIPTION	SEE SEC.	NOTES
1		1	Power steering pump		
2	(838310)	1	• Power steering pump		Obsolete part
			• •		
			•	1222	
3	971095	1	• Flange nut		
	971083	1	• Lock nut		
4	838893	1	• Bracket		
5	946441	1	• Flange screw		L=20mm
	946329	2	• Flange screw		L=25mm
6	1219961	1	• V-belt pulley		
7	464541	1	• Washer		
8	944926	4	• Flange screw		
9	838312	1	• Bracket		
10	947760	2	• Flange screw		
11	838892	1	• Bracket		
12	955557	1	• Hexagon screw		
13	950355	1	• Lock nut		
14	838073	1	• Tensioner		
15	976944	1	• Washer		
16	946173	1	• Flange screw		
17	948217	1	• Flange screw		
18	961664	3	• Hose clamp		
19	858541	1	• Oil cooler		
20	949918	1	• • Shut-off cock		
21	967123	1	• V-belt		
22	3851511	1	• Hose		
23	872217	1	• Return hose		
24	961669	4	Hose clamp		
25	1140664	X	Exhaust hose		
26	861737	1	Hose		

AD31L-A, AD31P-A, AD41L-A, AD41P-A, D41L-A

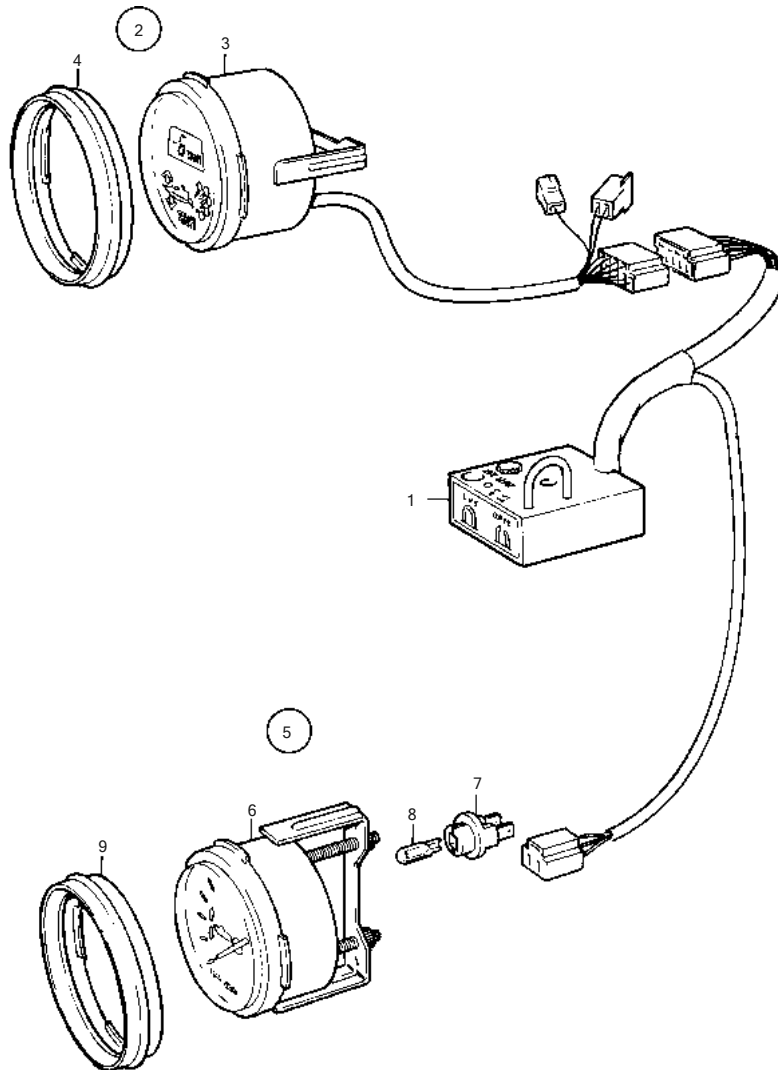


26085

AD31L-A, AD31P-A, AD41L-A, AD41P-A, D41L-A

REF	PART NO.	QTY	DESCRIPTION	SEE SEC.	NOTES
1	(872229)	1	Power steering kit		Obsolete part
2	872215	1	• Steering cylinder		
3	872698	1	• • Nipple		
4	(872699)	1	• • Nipple		Obsolete part
5	955985	1	• • O-ring		
6	955982	1	• • O-ring		
7	(872700)	2	• • Bushing		Obsolete part
8	872491	1	• • Clevis pin		
9	872490	1	• • Clevis pin		
10	949791	2	• • Split pin		
11	977625	2	• • Hexagon screw		
12	941908	2	• Spring washer		
13	965185	2	• Flange screw		
14	872103	2	• Pivot pin		
15	872104	2	• Lock washer		
16	872217	1	• Return hose		
17	872311	1	• Tab washer		
18	872369	1	• Tab washer		
19	872443	1	• Bracket		
20	(872697)	1	Sealing ring kit		For 872215, Obsolete part
21	(860881)	1	Power steering pump		Obsolete part
22	(838310)	1	• Power steering pump		Obsolete part
				1222	
23	838892	1	• Bracket		
24	971095	1	• Flange nut		
25	971083	1	• Lock nut		
26	838893	1	• Bracket		
27	946441	1	• Flange screw		L=20mm
	946329	2	• Flange screw		L=25mm
28	1219961	1	• V-belt pulley		
29	464541	1	• Washer		
30	944926	4	• Flange screw		
31	838312	1	• Bracket		
32	947760	2	• Flange screw		L=40mm
	946671	1	• Flange screw		L=30mm
33	955557	1	• Hexagon screw		
34	950355	1	• Lock nut		
35	838073	1	• Tensioner		
36	976944	1	• Washer		
37	946173	1	• Flange screw		
38	948217	1	• Flange screw		
39	961664	3	• Hose clamp		
40	858541	1	• Oil cooler		
41	949918	1	• Shut-off cock		
42	961669	4	• Hose clamp		
43	860700	1	• Attaching clamp		
44	860701	1	• Bracket		Not included in kit.
45	872234	1	• Pressure hose		
46		1	Hose		See group 26
47	861742	1	Hose		
48	971095	1	Flange nut		See group 26
49	967123	1	V-belt		

AD31L-A, AD31P-A, AD41L-A, AD41P-A, D41L-A, TAMD31L-A, TAMD31M-A, TAMD31P-A, TAMD31S-A, TAMD41H-A, TAMD41H-B, TAMD41P-A, TAMD41L-A, TAMD41M-A, TMD31L-A, TMD41L-A

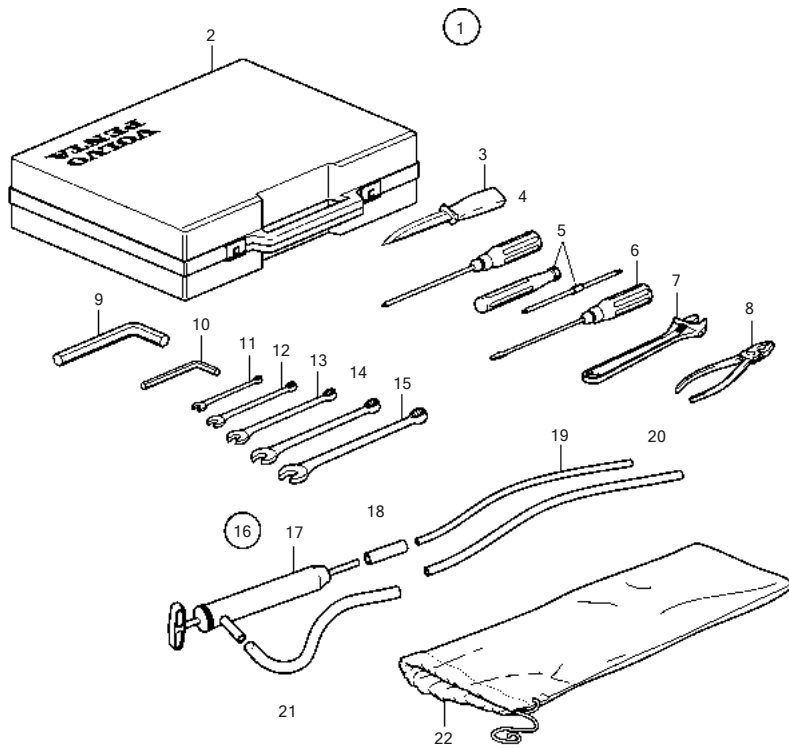


18578

AD31L-A, AD31P-A, AD41L-A, AD41P-A, D41L-A, TAM31L-A, TAM31M-A, TAM31P-A,  
TAM31S-A, TAM41H-A, TAM41H-B, TAM41P-A, TAM41L-A, TAM41M-A,  
TMD31L-A, TMD41L-A

REF	PART NO.	QTY	DESCRIPTION	NOTES
1	873226	1	Control unit	
2	(873227)	1	Trimmer	Digital, Obsolete part
3	872498	1	• Trimmer	
4	858643	1	• Front ring	
5	(873136)	1	Trimmer	Obsolete part, Analog
6	857449	1	• Trimmer	
7	863945	1	• Lamp socket	
8	863946	1	• Bulb	Red
9	858643	1	• Front ring	

AD31L-A, AD31P-A, AD41L-A, AD41P-A, D41L-A, TAM31L-A, TAM31M-A,  
 TAM31P-A, TAM31S-A, TAM41H-A, TAM41H-B, TAM41P-A,  
 TAM41L-A, TAM41M-A, TMD31L-A, TMD41L-A



9236



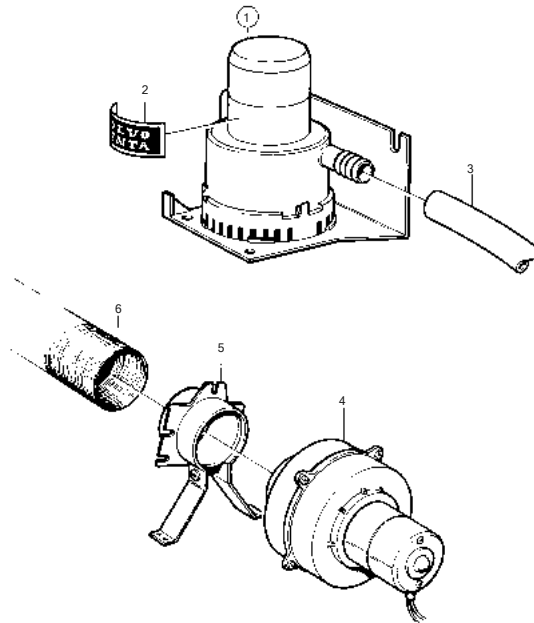
**Tool Kit**

**90**

AD31L-A, AD31P-A, AD41L-A, AD41P-A, D41L-A, TAMD31L-A, TAMD31M-A, TAMD31P-A, TAMD31S-A, TAMD41H-A, TAMD41H-B, TAMD41P-A, TAMD41L-A, TAMD41M-A, TMD31L-A, TMD41L-A

REF	PART NO.	QTY	DESCRIPTION	NOTES
1	858282	1	Tool kit	
2	859370	1	• Tool bag	
3	(858280)	1	• Sheath knife	Obsolete part
4	(962183)	1	• Phillips screwdriver	Obsolete part
5	(963929)	1	• Combination screwdri	Obsolete part
6	804771	1	• Screwdriver	
7	755	1	• Adjustable wrench	
	3803911	1	• Alternator, exch, exch	
8	(858279)	1	• Combination pliers	Obsolete part
9	(914005)	1	• Allen wrench	Obsolete part
10	914002	1	• Allen wrench	
11	(858274)	1	• Tool	8mm, Obsolete part
12	(858275)	1	• Blocking key	10mm, Obsolete part
13	(858276)	1	• Blocking key	13mm, Obsolete part
14	(858277)	1	• Blocking key	17mm, Obsolete part
15	(858278)	1	• Blocking key	1/2", Obsolete part
16	875117	1	• Oil bilge pump	
17		1	• • Oil bilge pump	
18	(841046)	1	• • Rubber hose	Obsolete part
19	835964	1	• • Oil scavenging pipe	L=711mm
20	(841527)	1	• • Oil scavenging pipe	L=1000mm, Obsolete part
21	806282	1	• • Plastic hose	
22	844642	1	• • Tool bag	

AD31L-A, AD31P-A, AD41L-A, AD41P-A, D41L-A, TAM31L-A, TAM31M-A,  
TAM31P-A, TAM31S-A, TAM41H-A, TAM41H-B, TAM41P-A,  
TAM41L-A, TAM41M-A, TMD31L-A, TMD41L-A



9650

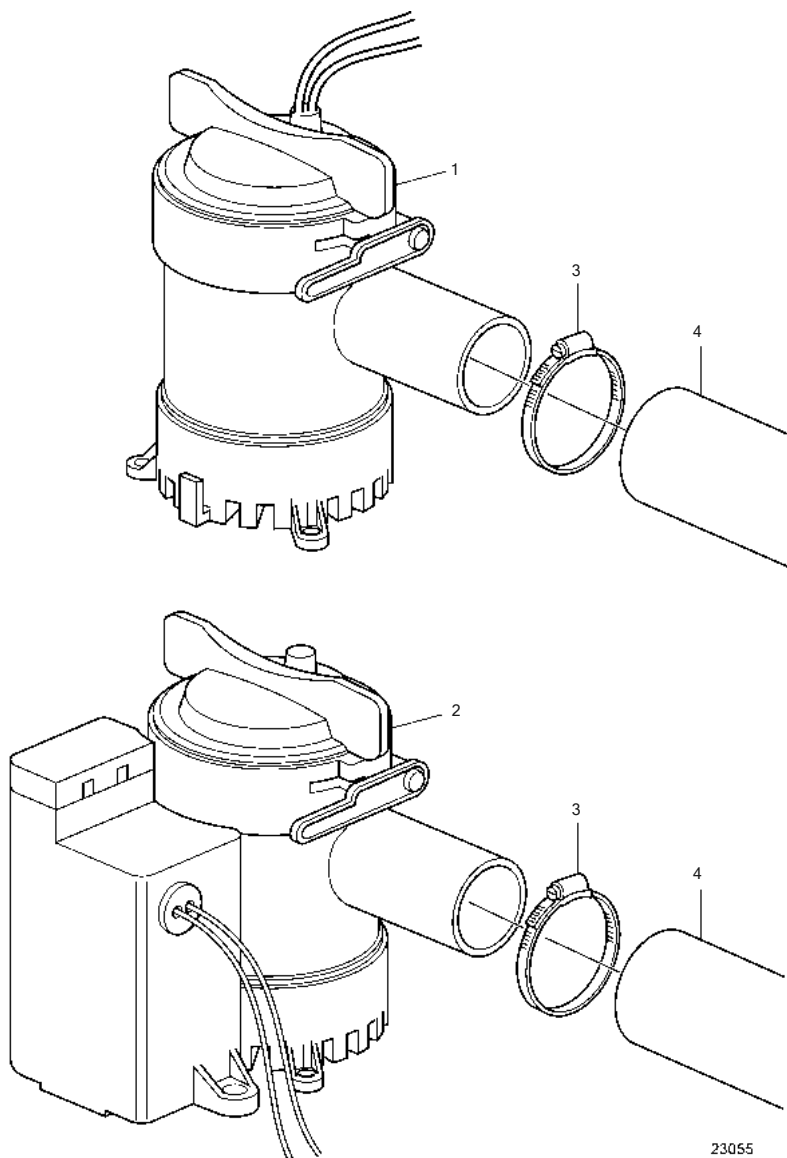
**Bilge Pump and Engine Room Fan**

**90**

AD31L-A, AD31P-A, AD41L-A, AD41P-A, D41L-A, TAMD31L-A, TAMD31M-A, TAMD31P-A, TAMD31S-A, TAMD41H-A, TAMD41H-B, TAMD41P-A, TAMD41L-A, TAMD41M-A, TMD31L-A, TMD41L-A

REF	PART NO.	QTY	DESCRIPTION	NOTES
1	828763	1	Bilge pump	
2	(843141)	1	· Decal	Obsolete part
3	952969	X	Hose	
4	(828797)	1	Fan	Obsolete part
5	828798	1	Mounting kit	
6	9518554	1	Hose	L=5000mm

AD31L-A, AD31P-A, AD41L-A, AD41P-A, D41L-A, TAMD31L-A, TAMD31M-A,  
TAMD31P-A, TAMD31S-A, TAMD41H-A, TAMD41H-B, TAMD41P-A,  
TAMD41L-A, TAMD41M-A, TMD31L-A, TMD41L-A



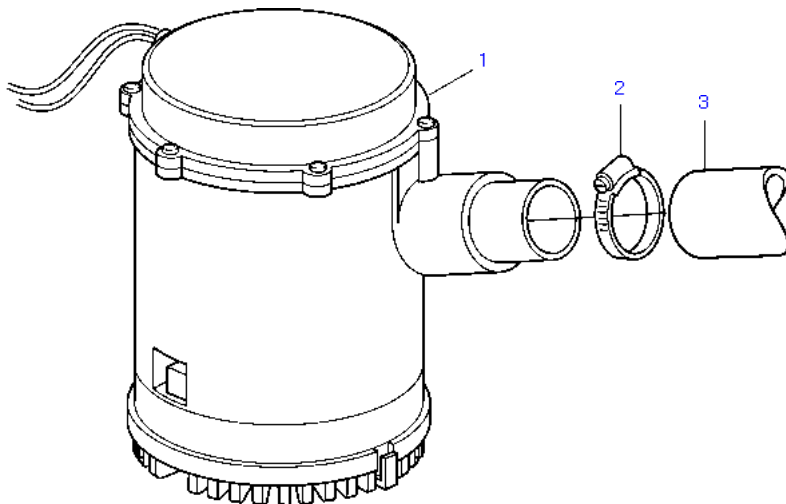
**Bilge Pump, 30L - 75l/min**

**90**

AD31L-A, AD31P-A, AD41L-A, AD41P-A, D41L-A, TAMD31L-A, TAMD31M-A, TAMD31P-A, TAMD31S-A, TAMD41H-A, TAMD41H-B, TAMD41P-A, TAMD41L-A, TAMD41M-A, TMD31L-A, TMD41L-A

REF	PART NO.	QTY	DESCRIPTION	NOTES
1	41100000	1	Bilge pump	30L / min 12V
	41103000	1	Bilge pump	45L / min 12V
	21662686	1	Bilge pump	45L / min 24V
	41103001	1	Bilge pump	55L / min 12V
	41103002	1	Pump unit	65L / min 12V
	41103003	1	Pump unit	75L / min 12V
2	41103004	1	Bilge pump	45L / min 12V
	41103005	1	Bilge pump	55L / min 12V
	41103006	1	Bilge pump	65L / min 12V
	41103007	1	Bilge pump	75L / min 12V
3	961666	1	Hose clamp	I.D=29mm
4	192358	1	Hose	I.D=19mm

AD31L-A, AD31P-A, AD41L-A, AD41P-A, D41L-A, TAM31L-A, TAM31M-A,  
TAM31P-A, TAM31S-A, TAM41H-A, TAM41H-B, TAM41P-A,  
TAM41L-A, TAM41M-A, TMD31L-A, TMD41L-A



23054

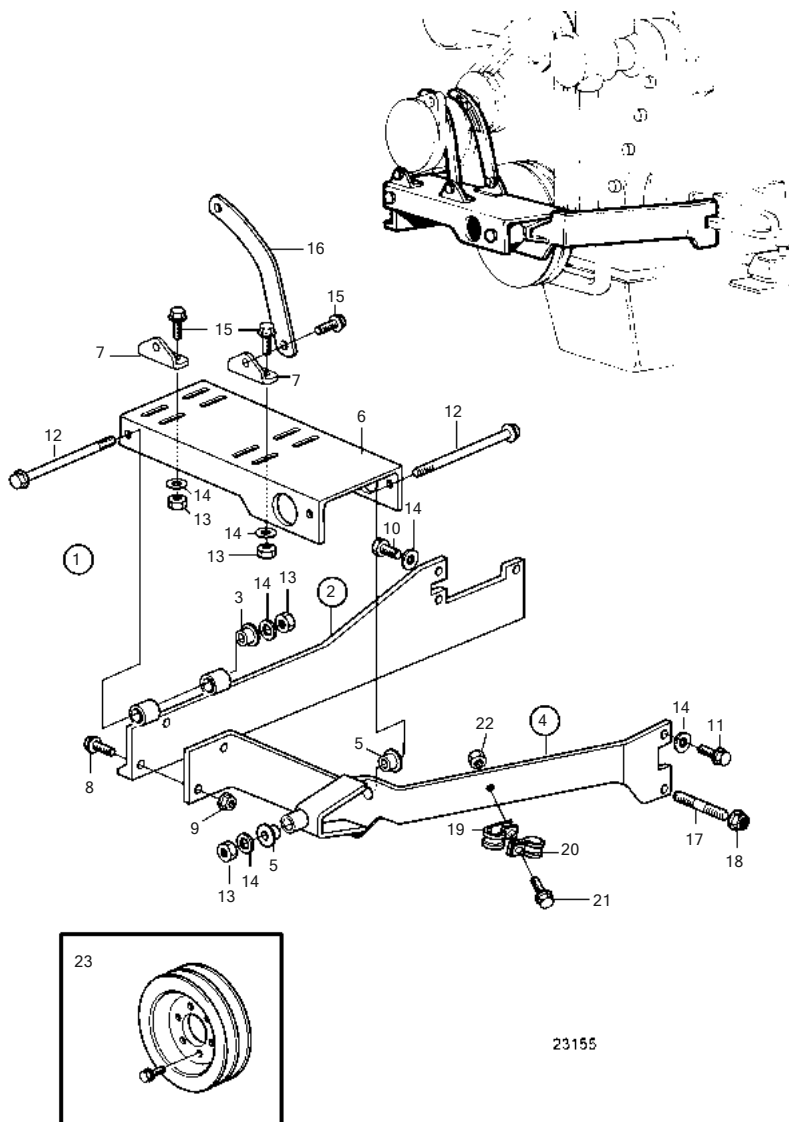
**Bilge Pump, 130l/min**

**90**

AD31L-A, AD31P-A, AD41L-A, AD41P-A, D41L-A, TAM31L-A, TAM31M-A, TAM31P-A, TAM31S-A, TAM41H-A, TAM41H-B, TAM41P-A, TAM41L-A, TAM41M-A, TMD31L-A, TMD41L-A

REF	PART NO.	QTY	DESCRIPTION	NOTES
1	41103008	1	Bilge pump	130L/min 12V
	41103009	1	Bilge pump	130L/min 24V
	21662696	1	Bilge pump	220L/min 12V
	21662697	1	Bilge pump	220L/min 24V
2	961666	1	Hose clamp	
	961667	1	Hose clamp	
3	192358	1	Hose	
	942707	1	Hose	I.D=28,6mm

AD31L-A, AD31P-A, AD41L-A, AD41P-A, D41L-A, TAM31L-A, TAM31M-A,  
 TAM31P-A, TAM31S-A, TAM41H-A, TAM41H-B, TAM41P-A,  
 TAM41L-A, TAM41M-A, TMD31L-A, TMD41L-A





AD31L-A, AD31P-A, AD41L-A, AD41P-A, D41L-A, TAMD31L-A, TAMD31M-A, TAMD31P-A, TAMD31S-A, TAMD41H-A, TAMD41H-B, TAMD41P-A, TAMD41L-A, TAMD41M-A, TMD31L-A, TMD41L-A

REF	PART NO.	QTY	DESCRIPTION	SEE SEC.	NOTES
1	(861369)	1	Kit		Obsolete part
2	861484	1	• Bracket		
3	463909	2	• • Rubber bushing		
4	861485	1	• Bracket		
5	463909	2	• • Rubber bushing		
6	858175	1	• Plate		
7	858177	4	• Bracket		
8	946472	2	• Flange screw		
9	971098	2	• Flange lock nut		
10	970983	3	• Hexagon screw		
11	965227	1	• Flange screw		
12	973924	4	• Flange screw		
13	945408	14	• Flange nut		
14	976944	12	• Washer		
15	946173	10	• Flange screw		
16	845021	2	• Tensioner		
17	924102	1	• Stud		
18	971096	1	• Flange nut		
19	949850	1	• Clamp		D=35mm
20	967645	1	• Clamp		D=41mm
21	947542	1	• Flange screw		
22	949278	1	• Flange lock nut		
23		1	Pulley	9337	Type HC50
		1	Pulley	9338	Type B

AD31L-A, AD31P-A, TAMD31L-A, TAMD31M-A, TAMD31P-A, TAMD31S-A, TMD31L-A

REF	PART NO.	QTY	DESCRIPTION	NOTES
1	3817034	4	Cylinder liner kit	(3581714)
		4	• Piston	
		4	• Cylinder liner	
	914519	8	• Snap ring	
	422793	4	• Piston pin	
	275751	8	• Sealing ring kit	
		4	• Piston ring	
		4	• Oil scraper ring	
	1542361	4	• O-ring	
	1542320	4	• Oil jet	
	955981	4	• O-ring	
	3817033	4	Piston ring kit	
		4	Compression ring	
		4	Piston ring	
		4	Oil scraper ring	
	876511	4	Big-end bearing kit	Std D
	876512	4	Big-end bearing kit	U.S=0,25mm
	876513	4	Big-end bearing kit	U.S=0,50mm
	876514	4	Big-end bearing kit	U.S=0,75mm
	876515	4	Main bearing kit	Std D
	876516	4	Main bearing kit	U.S=0,25mm
	876517	4	Main bearing kit	U.S=0,50mm
	876518	4	Main bearing kit	U.S=0,75mm
	877737	1	Overhaul kit	
	3581714	4	• Cylinder liner kit	
	876515	4	• Main bearing kit	
	876519	1	• Thrust bearing	
	876511	4	• Big-end bearing kit	
	3582563	1	• Connector kit, turbo	
	3582435	1	• De-carbonizing kit	
	877386	1	• Gasket kit	
	876361	1	• Overhaul gasket kit	
	877739	1	Overhaul kit	TAMD31S-A
	3581536	4	• Spray sleeve	
	838637	4	• Inlet valve	
	838638	4	• Exhaust valve	
	1677875	16	• Valve collet	
	3582561	8	• Valve guide	
	1542208	8	• Valve tappet	
	860035	4	• Valve seat	
	858331	4	• Valve seat	
	276166	1	Oil pump kit	
	470234	2	• Bushing	
	860722	1	• Shaft	
	425185	1	• Gear	
	424133	1	• Washer	
	910115	1	• Woodruff key	
	876519	1	Thrust bearing	Std D
	876520	1	Thrust bearing	O.S=0,10mm/U.S=0,25mm
	876521	1	Thrust bearing	O.S=0,20mm/U.S=0,50mm
	876522	1	Thrust bearing	O.S=0,20mm/U.S=0,75mm
	876793	1	Repair kit, water pump	
		1	Housing	
	181538	1	• Ball bearing	
	1660609	1	• Ball bearing	
		1	• Shaft	
	914462	1	• Snap ring	
	1676432	1	• Sealing ring	
	859027	1	• Gasket	
		1	• Impeller	
	876312	1	Connector kit, turbo	
	859111	1	• Gasket	
	838855	1	• Sealing ring	
	838864	1	• V-band clamp	

AD31L-A, AD31P-A, TAMD31L-A, TAMD31M-A, TAMD31P-A, TAMD31S-A, TMD31L-A

REF	PART NO.	QTY	DESCRIPTION	NOTES
	864723	1	• Sealing ring	
	967944	1	• O-ring	
	969011	2	• Gasket	
	420641	1	• Plane gasket	
	860105	1	• Gasket	
	907132	1	• Gasket	
	11994	1	• Gasket	
	858709	1	Repair kit, turbo	
		2	• Bushing	
		4	• Lock ring	
		2	• Piston ring	
		1	• Thrust bearing	
	(845047)	1	• Oil deflector	Obsolete part
		1	• Piston ring	
	838567	1	• O-ring	
		1	• O-ring	
	845829	4	• Screw	
	(838568)	4	• Washer	Obsolete part
	(848711)	1	• Lock nut	Obsolete part
	858661	6	• Hexagon screw	
	(858662)	4	• Segment	Obsolete part
	(858664)	3	• Segment	Obsolete part
	955293	6	• Hexagon screw	
	876110	1	Gasket kit, intercooler	
	864723	1	• Sealing ring	
	860920	2	• Gasket	
	858986	4	• Sealing ring	
	858979	1	• Sealing ring	
	847573	1	• Sealing strip	
	838831	1	• Sealing strip	
	876103	1	De-carbonizing kit, decarbonizing	
	11994	4	• Gasket	
	469846	4	• Sealing ring	
	3582432	1	• Cylinder head gasket	
	838652	1	• Gasket	
	838654	2	• Gasket	
	876144	2	• Gasket kit	
	838766	1	• Sealing ring	
	925067	6	• O-ring	
	940096	1	• Gasket	
	947624	1	• Gasket	
	957171	2	• Gasket	
	1306630	4	• Valve stem seal	
	969198	2	• O-ring	
	1542052	2	• Sealing	
	1542198	1	• Sealing ring	
	843449	1	• Gasket	
	1542187	1	• Gasket	
	1306630	4	• Valve stem seal	
	876361	1	Overhaul gasket kit, reconditioning	
	11994	8	• Gasket	
	969011	1	• Gasket	
	416033	2	• Sealing ring	
	418445	2	• Sealing ring	
	3582851	1	• Sealing ring	
	3501530	1	• Gasket	
	469482	2	• Sealing ring	
	469483	6	• Sealing ring	
	829487	1	• Gasket	
	838807	1	• Sealing ring	
	859086	2	• Sealing ring	
	858986	4	• Sealing ring	
	842913	3	• Sealing ring	
	859038	1	• Gasket	
	859111	1	• Gasket	
	859002	1	• Gasket	
	858570	1	• Sealing	
	968971	1	• O-ring	

AD31L-A, AD31P-A, TAM31L-A, TAM31M-A, TAM31P-A, TAM31S-A, TMD31L-A

REF	PART NO.	QTY	DESCRIPTION	NOTES
	969011	4	• Gasket	
	947627	1	• Gasket	
	949187	1	• O-ring	
	949657	1	• O-ring	
	955981	4	• O-ring	
	957171	8	• Gasket	
	957181	2	• Gasket	
	859039	1	• Gasket	
	859027	1	• Gasket	
	1542385	2	• Sealing ring	
	861250	1	• Gasket	
	876234	1	Decal set	The kit includes all decals that is used on the engine.

## D41L-A, TMD41L-A

REF	PART NO.	QTY	DESCRIPTION	SEE SEC.	NOTES
1	876851	6	Cylinder liner kit		
			• Bulletin 44-28C	44-28C-EN	Cylinder Liner Kits D31,41,42
1		6	• Cylinder liner		
		6	• Piston		
	422793	6	• Piston pin		
	914519	12	• Snap ring		
		6	• Sealing ring, upper		
		12	• O-ring		
		6	• O-ring		
		6	• Piston ring, upper		
		6	• Piston ring, lower		
		6	• Oil scraper ring		
	275751	6	Sealing ring kit		
		6	• Sealing ring		
		12	• O-ring, middle and lower		
		6	• O-ring, upper		
	876528	6	Piston ring kit		
		6	• Piston ring, upper		
		6	• Piston ring, lower		
		6	• Oil scraper ring		
	876511	6	Big-end bearing kit		Std D
	876512	6	Big-end bearing kit		U.S.=0,25mm
	876513	6	Big-end bearing kit		U.S.=0,50mm
	876514	6	Big-end bearing kit		U.S.=0,75mm
	876515	6	Main bearing kit		Std D
	876516	6	Main bearing kit		U.S.=0,25mm
	876517	6	Main bearing kit		U.S.=0,50mm
	876518	6	Main bearing kit		U.S.=0,75mm
	876519	1	Thrust bearing		Std D
	876520	1	Thrust bearing		O.S.=0,10mm/U.S.=0,25mm
	876521	1	Thrust bearing		O.S.=0,20mm/U.S.=0,50mm
	876522	1	Thrust bearing		O.S.=0,20mm/U.S.=0,75mm
	877223	1	Overhaul kit, basic		
	876511	6	• Big-end bearing kit		
	876515	6	• Main bearing kit		
	876519	1	• Thrust bearing		
	876774	1	• Overhaul gasket kit		
	877386	1	• Gasket kit		
	3582563	1	• Connector kit		
	3583787	1	• De-carbonizing kit		
	3817034	6	• Cylinder liner kit		
	276166	1	Oil pump kit		
	470234	2	• Bushing		
	860722	1	• Shaft		
	425185	1	• Gear		
	424133	1	• Washer		
	910115	1	• Woodruff key		
	876794	1	Repair kit, water pump		
	181538	1	• Ball bearing		
	1660609	1	• Ball bearing		
		1	• Shaft		
	914462	1	• Snap ring		
	1676432	1	• Sealing ring		
	859027	1	• Gasket		
		1	• Impeller		
	876312	1	Connector kit, turbo		
	11994	3	• Gasket		
	18665	1	• Gasket		
	420641	1	• Plane gasket		
	838855	1	• Sealing ring		
	838864	1	• V-band clamp		
	842986	1	• Gasket		
	859111	1	• Gasket		
	860105	1	• Gasket		

## D41L-A, TMD41L-A

REF	PART NO.	QTY	DESCRIPTION	SEE SEC.	NOTES
	864723	1	• Sealing ring		
	883833	1	• Carton		
	967944	1	• O-ring		
	969011	2	• Gasket		
	976044	1	• O-ring		
	861501	1	Repair kit, turbo		For 861260
		2	• Bushing		
		4	• Lock ring		
		2	• Piston ring		
		1	• Thrust bearing		
		1	• Oil deflector		
		1	• Piston ring		
		6	• Screw		
		1	• O-ring		
		4	• Screw		
		1	• Nut		
	955270	6	• Hexagon screw		
	(858662)	4	• Segment		Obsolete part
	(858664)	3	• Segment		Obsolete part
		6	• Screw		
	876104	1	De-carbonizing kit, decarbonizing		
	11994	4	• Gasket		
	469846	6	• Sealing ring		
	3580742	1	• Gasket		
	838653	1	• Gasket		
	838654	3	• Gasket		
	876144	3	• Gasket kit		
	838766	1	• Sealing ring		
	925067	6	• O-ring		
	940096	1	• Gasket		
	947624	1	• Gasket		
	957171	2	• Gasket		
	1306630	6	• Valve stem seal		
	1542052	3	• Sealing		
	969198	2	• O-ring		
	1542198	1	• Sealing ring		
	843449	1	• Gasket		
	1542187	1	• Gasket		
	1306630	6	• Valve stem seal		
	876362	1	Gasket kit, reconditioning		
	11994	12	• Gasket		
	416033	2	• Sealing ring		
	3501530	1	• Gasket		
	469482	2	• Sealing ring		
	469483	6	• Sealing ring		
	829487	1	• Gasket		
	838807	1	• Sealing ring		
	859086	2	• Sealing ring		
	858986	4	• Sealing ring		
	842913	3	• Sealing ring		
	859038	1	• Gasket		
	859002	1	• Gasket		
	858570	1	• Sealing		
	968971	2	• O-ring		
	949187	1	• O-ring		
	949657	1	• O-ring		
	949658	3	• O-ring		
	955891	6	• Washer		
	957171	12	• Gasket		
	957181	2	• Gasket		
	3582851	1	• Sealing ring		
	859039	1	• Gasket		
	859027	1	• Gasket		
	861251	1	• Gasket		
	1542318	1	• Sealing ring		
	1542385	3	• Sealing ring		
	876234	1	Decal set		The kit includes all decals that is used on the engine.

TAMD41H-A, TAMD41H-B, TAMD41P-A, TAMD41L-A, TAMD41M-A

REF	PART NO.	QTY	DESCRIPTION	SEE SEC.	NOTES
1	876851	6	Cylinder liner kit		
			• Bulletin 44-28C	44-28C-EN	Cylinder Liner Kits D31,41,42
1		6	• Cylinder liner		
		6	• Piston		
	422793	6	• Piston pin		
	914519	12	• Snap ring		
		6	• Sealing ring, upper		
		12	• O-ring		
		6	• O-ring		
		6	• Piston ring, upper		
		6	• Piston ring, lower		
		6	• Oil scraper ring		
	275751	6	Sealing ring kit		
		6	• Sealing ring		
		12	• O-ring, middle and lower		
		6	• O-ring, upper		
	876528	6	Piston ring kit		
		6	• Piston ring, upper		
		6	• Piston ring, lower		
		6	• Oil scraper ring		
	876511	6	Big-end bearing kit		Std D
	876512	6	Big-end bearing kit		U.S.=0,25mm
	876513	6	Big-end bearing kit		U.S.=0,50mm
	876514	6	Big-end bearing kit		U.S.=0,75mm
	876515	6	Main bearing kit		Std D
	876516	6	Main bearing kit		U.S.=0,25mm
	876517	6	Main bearing kit		U.S.=0,50mm
	876518	6	Main bearing kit		U.S.=0,75mm
	876519	1	Thrust bearing		Std D
	876520	1	Thrust bearing		O.S.=0,10mm/U.S.=0,25mm
	876521	1	Thrust bearing		O.S.=0,20mm/U.S.=0,50mm
	876522	1	Thrust bearing		O.S.=0,20mm/U.S.=0,75mm
	877223	1	Overhaul kit, basic		
	876511	6	• Big-end bearing kit		
	876515	6	• Main bearing kit		
	876519	1	• Thrust bearing		
	876774	1	• Overhaul gasket kit		
	877386	1	• Gasket kit		
	3582563	1	• Connector kit		
	3583787	1	• De-carbonizing kit		
	3817034	6	• Cylinder liner kit		
	276166	1	Oil pump kit		
	470234	2	• Bushing		
	860722	1	• Shaft		
	425185	1	• Gear		
	424133	1	• Washer		
	910115	1	• Woodruff key		
	876794	1	Repair kit, water pump		
	181538	1	• Ball bearing		
	1660609	1	• Ball bearing		
		1	• Shaft		
	914462	1	• Snap ring		
	1676432	1	• Sealing ring		
	859027	1	• Gasket		
		1	• Impeller		
	876312	1	Connector kit, turbo		
	11994	3	• Gasket		
	18665	1	• Gasket		
	420641	1	• Plane gasket		
	838855	1	• Sealing ring		
	838864	1	• V-band clamp		
	842986	1	• Gasket		
	859111	1	• Gasket		
	860105	1	• Gasket		

TAMD41H-A, TAMD41H-B, TAMD41P-A, TAMD41L-A, TAMD41M-A

REF	PART NO.	QTY	DESCRIPTION	SEE SEC.	NOTES
	864723	1	• Sealing ring		
	883833	1	• Carton		
	967944	1	• O-ring		
	969011	2	• Gasket		
	976044	1	• O-ring		
	858709	1	Repair kit, turbo		For 860916
	(838562)	2	• Bushing		Obsolete part
	(845042)	4	• Lock ring		Obsolete part
		2	• Piston ring		
	(858710)	1	• Thrust bearing		Obsolete part
	(845047)	1	• Oil deflector		Obsolete part
		1	• Piston ring		
	838567	1	• O-ring		
	(838426)	1	• O-ring		Obsolete part
	845829	4	• Screw		
	(838568)	4	• Washer		Obsolete part
	(848711)	1	• Lock nut		Obsolete part
	858661	6	• Hexagon screw		
	(858662)	4	• Segment		Obsolete part
	(858664)	3	• Segment		Obsolete part
	955293	6	• Hexagon screw		
	861501	1	Repair kit, turbo		For 861260
		2	• Bushing		
		4	• Lock ring		
		2	• Piston ring		
		1	• Thrust bearing		
		1	• Oil deflector		
		1	• Piston ring		
		6	• Screw		
		1	• O-ring		
		4	• Screw		
		1	• Nut		
	955270	6	• Hexagon screw		
	(858662)	4	• Segment		Obsolete part
	(858664)	3	• Segment		Obsolete part
		6	• Screw		
	876110	1	Gasket kit, intercooler		
	864723	1	• Sealing ring		
	860920	2	• Gasket		
	858986	4	• Sealing ring		
	858979	1	• Sealing ring		
	847573	1	• Sealing strip		
	838831	1	• Sealing strip		
	876104	1	De-carbonizing kit, decarbonizing		
	11994	4	• Gasket		
	469846	6	• Sealing ring		
	3580742	1	• Gasket		
	838653	1	• Gasket		
	838654	3	• Gasket		
	876144	3	• Gasket kit		
	838766	1	• Sealing ring		
	925067	6	• O-ring		
	940096	1	• Gasket		
	947624	1	• Gasket		
	957171	2	• Gasket		
	1306630	6	• Valve stem seal		
	1542052	3	• Sealing		
	969198	2	• O-ring		
	1542198	1	• Sealing ring		
	843449	1	• Gasket		
	1542187	1	• Gasket		
	1306630	6	• Valve stem seal		
	876362	1	Gasket kit, reconditioning		
	11994	12	• Gasket		
	416033	2	• Sealing ring		
	3501530	1	• Gasket		
	469482	2	• Sealing ring		
	469483	6	• Sealing ring		



TAMD41H-A, TAMD41H-B, TAMD41P-A, TAMD41L-A, TAMD41M-A

REF	PART NO.	QTY	DESCRIPTION	SEE SEC.	NOTES
	829487	1	• Gasket		
	838807	1	• Sealing ring		
	859086	2	• Sealing ring		
	858986	4	• Sealing ring		
	842913	3	• Sealing ring		
	859038	1	• Gasket		
	859002	1	• Gasket		
	858570	1	• Sealing		
	968971	2	• O-ring		
	949187	1	• O-ring		
	949657	1	• O-ring		
	949658	3	• O-ring		
	955891	6	• Washer		
	957171	12	• Gasket		
	957181	2	• Gasket		
	3582851	1	• Sealing ring		
	859039	1	• Gasket		
	859027	1	• Gasket		
	861251	1	• Gasket		
	1542318	1	• Sealing ring		
	1542385	3	• Sealing ring		
	876234	1	Decal set		The kit includes all decals that is used on the engine.

AD41L-A, AD41P-A

REF	PART NO.	QTY	DESCRIPTION	SEE SEC.	NOTES
1	876851	6	Cylinder liner kit		
			• Bulletin 44-28C	44-28C-EN	Cylinder Liner Kits D31,41,42
1		6	• Cylinder liner		
		6	• Piston		
	422793	6	• Piston pin		
	914519	12	• Snap ring		
		6	• Sealing ring, upper		
		12	• O-ring		
		6	• O-ring		
		6	• Piston ring, upper		
		6	• Piston ring, lower		
		6	• Oil scraper ring		
	275751	6	Sealing ring kit		
		6	• Sealing ring		
		12	• O-ring, middle and lower		
		6	• O-ring, upper		
	876528	6	Piston ring kit		
		6	• Piston ring, upper		
		6	• Piston ring, lower		
		6	• Oil scraper ring		
	876511	6	Big-end bearing kit		Std D
	876512	6	Big-end bearing kit		U.S.=0,25mm
	876513	6	Big-end bearing kit		U.S.=0,50mm
	876514	6	Big-end bearing kit		U.S.=0,75mm
	876515	6	Main bearing kit		Std D
	876516	6	Main bearing kit		U.S.=0,25mm
	876517	6	Main bearing kit		U.S.=0,50mm
	876518	6	Main bearing kit		U.S.=0,75mm
	876519	1	Thrust bearing		Std D
	876520	1	Thrust bearing		O.S.=0,10mm/U.S.=0,25mm
	876521	1	Thrust bearing		O.S.=0,20mm/U.S.=0,50mm
	876522	1	Thrust bearing		O.S.=0,20mm/U.S.=0,75mm
	877223	1	Overhaul kit, basic		
	876511	6	• Big-end bearing kit		
	876515	6	• Main bearing kit		
	876519	1	• Thrust bearing		
	876774	1	• Overhaul gasket kit		
	877386	1	• Gasket kit		
	3582563	1	• Connector kit		
	3583787	1	• De-carbonizing kit		
	3817034	6	• Cylinder liner kit		
	276166	1	Oil pump kit		
	470234	2	• Bushing		
	860722	1	• Shaft		
	425185	1	• Gear		
	424133	1	• Washer		
	910115	1	• Woodruff key		
	876794	1	Repair kit, water pump		
	181538	1	• Ball bearing		
	1660609	1	• Ball bearing		
		1	• Shaft		
	914462	1	• Snap ring		
	1676432	1	• Sealing ring		
	859027	1	• Gasket		
		1	• Impeller		
	876312	1	Connector kit, turbo		
	11994	3	• Gasket		
	18665	1	• Gasket		
	420641	1	• Plane gasket		
	838855	1	• Sealing ring		
	838864	1	• V-band clamp		
	842986	1	• Gasket		
	859111	1	• Gasket		
	860105	1	• Gasket		

AD41L-A, AD41P-A

REF	PART NO.	QTY	DESCRIPTION	SEE SEC.	NOTES
	864723	1	• Sealing ring		
	883833	1	• Carton		
	967944	1	• O-ring		
	969011	2	• Gasket		
	976044	1	• O-ring		
	861501	1	Repair kit, turbo		For 861260
		2	• Bushing		
		4	• Lock ring		
		2	• Piston ring		
		1	• Thrust bearing		
		1	• Oil deflector		
		1	• Piston ring		
		6	• Screw		
		1	• O-ring		
		4	• Screw		
		1	• Nut		
	955270	6	• Hexagon screw		
	(858662)	4	• Segment		Obsolete part
	(858664)	3	• Segment		Obsolete part
		6	• Screw		
	876110	1	Gasket kit, intercooler		
	864723	1	• Sealing ring		
	860920	2	• Gasket		
	858986	4	• Sealing ring		
	858979	1	• Sealing ring		
	847573	1	• Sealing strip		
	838831	1	• Sealing strip		
	876104	1	De-carbonizing kit, decarbonizing		
	11994	4	• Gasket		
	469846	6	• Sealing ring		
	3580742	1	• Gasket		
	838653	1	• Gasket		
	838654	3	• Gasket		
	876144	3	• Gasket kit		
	838766	1	• Sealing ring		
	925067	6	• O-ring		
	940096	1	• Gasket		
	947624	1	• Gasket		
	957171	2	• Gasket		
	1306630	6	• Valve stem seal		
	1542052	3	• Sealing		
	969198	2	• O-ring		
	1542198	1	• Sealing ring		
	843449	1	• Gasket		
	1542187	1	• Gasket		
	1306630	6	• Valve stem seal		
	876362	1	Gasket kit, reconditioning		
	11994	12	• Gasket		
	416033	2	• Sealing ring		
	3501530	1	• Gasket		
	469482	2	• Sealing ring		
	469483	6	• Sealing ring		
	829487	1	• Gasket		
	838807	1	• Sealing ring		
	859086	2	• Sealing ring		
	858986	4	• Sealing ring		
	842913	3	• Sealing ring		
	859038	1	• Gasket		
	859002	1	• Gasket		
	858570	1	• Sealing		
	968971	2	• O-ring		
	949187	1	• O-ring		
	949657	1	• O-ring		
	949658	3	• O-ring		
	955891	6	• Washer		
	957171	12	• Gasket		
	957181	2	• Gasket		
	3582851	1	• Sealing ring		
	859039	1	• Gasket		



REF	PART NO.	QTY	DESCRIPTION	NOTES
1	876266	1	Gasket kit, upper gear	
	17253	2	• Split pin	
	17276	1	• Split pin	
	125017	1	• O-ring	
	181620	2	• Sealing ring	
	804344	1	• Gasket	
	814168	1	• Gasket	
	814356	1	• Sealing	
	876278	1	• Bushing kit	
	832669	1	• Gasket	
	876279	1	• Bushing kit	
	853223	2	• • Bushing	Repl by 876279
	853868	1	• Sealing ring	
	897682	1	• Gasket	
	925093	1	• O-ring	
	925095	1	• O-ring	
	925256	2	• O-ring	
	925259	1	• O-ring	
	942615	1	• Sealing ring	
	955974	1	• O-ring	
	955989	1	• O-ring	
	956000	1	• O-ring	
	876267	1	Gasket kit, lower gear	
	125017	1	• O-ring	
	851407	2	• Sealing ring	
	852212	1	• Nut	
	853871	1	• Sealing ring	
	906633	1	• Round nut	
	907023	1	• Lock washer	
	925256	1	• O-ring	
	925258	2	• O-ring	
	941820	1	• O-ring	
	955974	1	• O-ring	
	969071	1	• Round nut	
	872755	1	• Sealing ring	

DESCRIPTION	SEE SEC.	NOTES
Cylinder Head: A	1664	AD31L-A, AD31P-A, TAMD31L-A, TAMD31M-A, TAMD31P-A, TAMD31S-A, TMD31L-A
Cylinder Head: B	1664B	AD31L-A, AD31P-A, TAMD31L-A, TAMD31M-A, TAMD31P-A, TAMD31S-A, TMD31L-A
Cylinder Head: C	1664C	AD31L-A, AD31P-A, TAMD31L-A, TAMD31M-A, TAMD31P-A, TAMD31S-A, TMD31L-A
Cylinder Head: A	1665	AD41L-A, AD41P-A, D41L-A, TAMD41H-A, TAMD41H-B, TAMD41P-A, TAMD41L-A, TAMD41M-A, TMD41L-A
Cylinder Head: B	1665B	AD41L-A, AD41P-A, D41L-A, TAMD41H-A, TAMD41H-B, TAMD41P-A, TAMD41L-A, TAMD41M-A, TMD41L-A
Cylinder Block and Flywheel Housing	1666	AD31L-A, TAMD31L-A, TAMD31M-A, TAMD31S-A, TMD31L-A
Cylinder Block and Flywheel Housing	1667	AD41L-A, AD41P-A, D41L-A, TAMD41H-A, TAMD41H-B, TAMD41P-A, TAMD41L-A, TAMD41M-A, TMD41L-A
Cylinder Block and Flywheel Housing: SOLAS	9845	TAMD31L-A, TAMD31M-A
Cylinder Block and Flywheel Housing: SOLAS	9832	TAMD41P-A
Timing Gear Casing and Gears	1675	AD31L-A, AD31P-A, TAMD31L-A, TAMD31M-A, TAMD31P-A, TAMD31S-A, TMD31L-A
Timing Gear Casing and Gears	1676	AD41L-A, AD41P-A, D41L-A, TAMD41H-A, TAMD41H-B, TAMD41P-A, TAMD41L-A, TAMD41M-A, TMD41L-A
Camshaft and Valve Mechanism	1673	AD31L-A, AD31P-A, TAMD31L-A, TAMD31M-A, TAMD31P-A, TAMD31S-A, TMD31L-A
Camshaft and Valve Mechanism	1674	AD41L-A, AD41P-A, D41L-A, TAMD41H-A, TAMD41H-B, TAMD41P-A, TAMD41L-A, TAMD41M-A, TMD41L-A
Crank Mechanism	9838	AD31L-A, AD31P-A
Crank Mechanism	9841	AD41L-A, AD41P-A, D41L-A
Crank Mechanism	1669	TAMD31L-A, TAMD31M-A, TAMD31P-A, TAMD31S-A, TMD31L-A
Crank Mechanism	9839	TAMD41H-A, TAMD41H-B, TAMD41P-A, TAMD41L-A, TAMD41M-A
Crank Mechanism	1670	TMD41L-A
Engine Suspension for SX-Drive	1671	AD31L-A, AD31P-A
Engine Suspension for DP-Drive	1685	AD31L-A, AD31P-A
Engine Mounting for Jack Shaft Installations	1687	AD31L-A, AD31P-A
Engine Suspension for DP-Drive	2964	AD41L-A, AD41P-A, D41L-A
Engine Mounting for Jack Shaft Installations	2965	AD41L-A, AD41P-A, D41L-A
Engine Suspension for SOLAS Version	2767	TAMD31L-A, TAMD31M-A, TAMD41P-A
Engine Mounting	3333	TAMD41H-A, TAMD41H-B, TAMD41P-A, TAMD41L-A, TAMD41M-A, TMD41L-A
Engine Mounting	3733	TAMD41H-A, TAMD41H-B, TAMD41P-A, TAMD41L-A, TAMD41M-A, TMD41L-A
Engine Mounting for Jack Shaft Installations	1688	TAMD41L-A
Engine Mounting: A	1683	
Engine Mounting: PRM	1683B	
Engine Mounting: Borg Warner	1683C	
Engine Mounting: A	1684	
Engine Mounting: PRM	1684B	
Engine Mounting: Borg Warner	1684C	
Extra Pulley: TYPE HC50	9337	AD31L-A, AD31P-A, AD41L-A, AD41P-A, D41L-A, TAMD31L-A, TAMD31M-A, TAMD31P-A, TAMD31S-A, TAMD41H-A, TAMD41H-B, TAMD41P-A, TAMD41L-A, TAMD41M-A, TMD31L-A, TMD41L-A
Extra Pulley: TYPE B	9338	AD31L-A, AD31P-A, AD41L-A, AD41P-A, D41L-A, TAMD31L-A, TAMD31M-A, TAMD31P-A, TAMD31S-A, TAMD41H-A, TAMD41H-B, TAMD41P-A, TAMD41L-A, TAMD41M-A, TMD31L-A, TMD41L-A

DESCRIPTION	SEE SEC.	NOTES
Lubricating System	9360	AD31L-A, AD31P-A
Lubricating System	1678	AD41L-A, AD41P-A, D41L-A, TAMD41H-A, TAMD41H-B, TAMD41P-A, TAMD41L-A, TAMD41M-A, TMD41L-A
Lubricating System	9359	TAMD31L-A, TAMD31M-A, TAMD31P-A, TAMD31S-A
Lubricating System	1677	TMD31L-A
Oil Pump, Components	528	AD31L-A, AD31P-A, TAMD41H-A, TAMD41H-B, TAMD41P-A, TAMD41L-A, TAMD41M-A, TMD41L-A
Oil Filter Housing	1680	AD31L-A, AD31P-A, TAMD31L-A, TAMD31M-A, TAMD31P-A, TAMD31S-A, TMD31L-A
Oil Filter Housing	9366	AD41L-A, AD41P-A, D41L-A, TAMD41H-A, TAMD41H-B, TAMD41P-A, TAMD41L-A, TAMD41M-A, TMD41L-A
Electric Bilge Pump 12V/24V: 12V	261	AD31L-A, AD31P-A, AD41L-A, AD41P-A, D41L-A, TAMD31L-A, TAMD31M-A, TAMD31P-A, TAMD31S-A, TAMD41H-A, TAMD41H-B, TAMD41P-A, TAMD41L-A, TAMD41M-A, TMD31L-A, TMD41L-A
Electric Bilge Pump 12V/24V: 24V	261B	AD31L-A, AD31P-A, AD41L-A, AD41P-A, D41L-A, TAMD31L-A, TAMD31M-A, TAMD31P-A, TAMD31S-A, TAMD41H-A, TAMD41H-B, TAMD41P-A, TAMD41L-A, TAMD41M-A, TMD31L-A, TMD41L-A
Oil Dipstick Kit, Left Side	1006	AD41L-A, AD41P-A, D41L-A, TAMD41H-A, TAMD41H-B, TAMD41P-A, TAMD41L-A, TAMD41M-A, TMD41L-A

DESCRIPTION	SEE SEC.	NOTES
Fuel System	9369	AD31L-A, AD31P-A
Fuel System	9381	AD41L-A, AD41P-A
Fuel System	1743	D41L-A, TMD41L-A
Fuel System	9368	TAMD31L-A, TAMD31M-A, TAMD31P-A, TAMD31S-A
Fuel System	9380	TAMD41H-A, TAMD41H-B, TAMD41P-A, TAMD41L-A, TAMD41M-A
Fuel System	1741	TMD31L-A
Fuel Filter	923	AD31L-A, AD31P-A
Fuel Filter	7765	AD41L-A, AD41P-A, D41L-A, TAMD41H-A, TAMD41H-B, TAMD41P-A, TAMD41L-A, TAMD41M-A, TMD41L-A
Fuel Filter	3722	D41L-A, TAMD41H-B, TMD41L-A
Fuel Injection Pump, Components: 861119	932	AD31L-A
Fuel Injection Pump, Components: 860914	929	AD31P-A, TAMD31M-A
Fuel Injection Pump, Components: 861765	1893	AD41P-A
Fuel Injection Pump, Components: 860270	1888	AD41P-A, TAMD41P-A
Fuel Injection Pump, Components: 861315	1783	D41L-A, TMD41L-A
Fuel Injection Pump, Components: 860513	926	TAMD31L-A
Fuel Injection Pump, Components: 860915	936	TAMD41H-A, TAMD41H-B, TAMD41P-A, TAMD41L-A, TAMD41M-A
Fuel Injection Pump, Components: 861316	1781	TAMD41H-A, TAMD41L-A
Fuel Injection Pump, Components: 861102	1778	TAMD41P-A
Fuel Injection Pump, Components: 3581579	5814	TMD31L-A
Fuel Injector, Components: 861103	572	AD31L-A, AD31P-A, AD41L-A, AD41P-A, TAMD31L-A, TAMD31M-A, TAMD31P-A, TAMD31S-A, TAMD41H-A, TAMD41P-A, TAMD41L-A, TAMD41M-A
Fuel Injector, Components: 859494	925	AD41L-A, AD41P-A, TAMD31L-A, TAMD31M-A
Fuel Filter and Water Separator	292	AD31L-A, AD31P-A, AD41L-A, AD41P-A, D41L-A, TAMD31L-A, TAMD31M-A, TAMD31P-A, TAMD31S-A, TAMD41H-A, TAMD41H-B, TAMD41P-A, TAMD41L-A, TAMD41M-A, TMD31L-A, TMD41L-A
Fuel Filter and Water Separator, RINA-approved	293	AD31L-A, AD31P-A, AD41L-A, AD41P-A, D41L-A, TAMD31L-A, TAMD31M-A, TAMD31P-A, TAMD31S-A, TAMD41H-A, TAMD41H-B, TAMD41P-A, TAMD41L-A, TAMD41M-A, TMD31L-A, TMD41L-A
Fuel Filter and Water Separator, RINA-approved	37059	AD31L-A, AD31P-A, AD41L-A, AD41P-A, D41L-A, TAMD31L-A, TAMD31M-A, TAMD31P-A, TAMD31S-A, TAMD41H-A, TAMD41H-B, TAMD41P-A, TAMD41L-A, TAMD41M-A, TMD31L-A, TMD41L-A
Fuel Filter and Water Separator	7783	AD31L-A, AD31P-A, AD41L-A, AD41P-A, D41L-A, TAMD31L-A, TAMD31M-A, TAMD31P-A, TAMD31S-A, TAMD41H-A, TAMD41H-B, TAMD41P-A, TAMD41L-A, TAMD41M-A, TMD31L-A, TMD41L-A
Fuel Filter and Water Separator	9024	AD31L-A, AD31P-A, AD41L-A, AD41P-A, D41L-A, TAMD31L-A, TAMD31M-A, TAMD31P-A, TAMD31S-A, TAMD41H-A, TAMD41H-B, TAMD41P-A, TAMD41L-A, TAMD41M-A, TMD31L-A, TMD41L-A
Fuel Filter and Water Separator, RINA-approved	9025	AD31L-A, AD31P-A, AD41L-A, AD41P-A, D41L-A, TAMD31L-A, TAMD31M-A, TAMD31P-A, TAMD31S-A, TAMD41H-A, TAMD41H-B, TAMD41P-A, TAMD41L-A, TAMD41M-A, TMD31L-A, TMD41L-A
Fuel Filter and Water Separator	5107	AD31L-A, AD31P-A, AD41L-A, AD41P-A, D41L-A, TAMD31L-A, TAMD31M-A, TAMD31P-A, TAMD31S-A, TAMD41H-A, TAMD41H-B, TAMD41P-A, TAMD41L-A, TAMD41M-A, TMD31L-A, TMD41L-A



DESCRIPTION	SEE SEC.	NOTES
Induction and Exhaust Manifold: A	1692	AD31L-A, AD31P-A, TAMD31L-A, TAMD31M-A, TAMD31P-A
Induction and Exhaust Manifold: B	1692B	AD31L-A, AD31P-A, TAMD31L-A, TAMD31M-A, TAMD31P-A
Induction and Exhaust Manifold	9434	AD41L-A
Induction and Exhaust Manifold	9409	AD41L-A, AD41P-A
Induction and Exhaust Manifold	6096	TAMD31S-A
Induction and Exhaust Manifold	1693	TAMD41H-A, TAMD41H-B, TAMD41P-A, TAMD41L-A, TAMD41M-A
Induction and Exhaust Manifold	1689	TMD31L-A
Induction and Exhaust Manifold	1694	TMD41L-A
Turbocharger and Air Filter	1695	AD31L-A, TAMD31L-A, TAMD31M-A
Turbocharger and Air Filter	9437	AD31P-A, TAMD31P-A
Turbocharger and Air Filter	6092	TAMD31S-A
Turbocharger and Air Filter	9407	AD41L-A, AD41P-A, D41L-A
Turbocharger and Air Filter	9406	TAMD41H-A, TAMD41H-B, TAMD41P-A, TAMD41L-A, TAMD41M-A
Turbocharger and Air Filter	3346	TMD31L-A
Turbocharger and Air Filter	1696	TMD41L-A
Turbocharger, Components	3343	AD31L-A, AD31P-A, TAMD31L-A, TAMD31M-A, TAMD31P-A
Turbocharger, Components: 860916	860	AD31L-A, AD31P-A, TAMD31L-A, TAMD31M-A, TAMD31P-A, TMD31L-A
Turbocharger, Components	1697	AD41L-A, AD41P-A, D41L-A, TAMD41H-A, TAMD41H-B, TAMD41P-A, TAMD41L-A, TAMD41M-A, TMD31L-A, TMD41L-A
Exhaust Thermo Switch Control	975	AD31L-A, AD31P-A, AD41L-A, AD41P-A, D41L-A, TAMD31L-A, TAMD31M-A, TAMD31P-A, TAMD31S-A, TAMD41H-A, TAMD41H-B, TAMD41P-A, TAMD41L-A, TAMD41M-A, TMD31L-A, TMD41L-A
Drip Protection for Air Filter, Earlier Edition	999	AD31L-A, AD31P-A, AD41L-A, AD41P-A, D41L-A, TAMD31L-A, TAMD31M-A, TAMD31P-A, TAMD31S-A, TAMD41H-A, TAMD41H-B, TAMD41P-A, TAMD41L-A, TAMD41M-A, TMD31L-A, TMD41L-A
Water Cooled Silencer and Exhaust Line	1007	AD31L-A, AD31P-A, AD41L-A, AD41P-A, D41L-A, TAMD31L-A, TAMD31M-A, TAMD31P-A, TAMD31S-A, TAMD41H-A, TAMD41H-B, TAMD41P-A, TAMD41L-A, TAMD41M-A, TMD31L-A, TMD41L-A
Dry Exhaust Line	1008	AD31L-A, AD31P-A, AD41L-A, AD41P-A, D41L-A, TAMD31L-A, TAMD31M-A, TAMD31P-A, TAMD31S-A, TAMD41H-A, TAMD41H-B, TAMD41P-A, TAMD41L-A, TAMD41M-A, TMD31L-A, TMD41L-A
Glow Plug Kit: 874117	1012	AD31L-A, AD31P-A, AD41L-A, AD41P-A, D41L-A, TAMD31L-A, TAMD31M-A, TAMD31P-A, TAMD31S-A, TAMD41H-A, TAMD41H-B, TAMD41P-A, TAMD41L-A, TAMD41M-A, TMD31L-A, TMD41L-A
Glow Plug Kit, SOLAS Version	2769	TAMD31L-A, TAMD31M-A, TAMD41P-A

DESCRIPTION	SEE SEC.	NOTES
Oil Cooler: 860633	9721	AD31L-A, AD31P-A
Oil Cooler: 861600	9723	AD31L-A, AD31P-A
Oil Cooler, Components	2748	AD31L-A, AD31P-A, TAMD31L-A, TAMD31M-A, TAMD31P-A, TAMD31S-A, TAMD41H-A, TAMD41H-B, TMD31L-A
Oil Cooler, Components	1714	AD31L-A, AD31P-A, TAMD31L-A, TAMD31M-A, TAMD31P-A, TAMD41H-A, TMD31L-A
Oil Cooler: 860635	9731	AD41L-A, AD41P-A
Oil Cooler: 861601	9732	AD41L-A, AD41P-A
Oil Cooler, Components	918	AD41L-A, AD41P-A, D41L-A, TAMD41P-A, TAMD41L-A, TAMD41M-A, TMD41L-A
Oil Cooler, Components	9730	AD41L-A, AD41P-A, D41L-A, TMD41L-A
Oil Cooler: 860635	1716	D41L-A
Oil Cooler: 861601	1740	D41L-A
Oil Cooler: 860633	9720	TAMD31L-A, TAMD31M-A, TAMD31P-A
Oil Cooler: 861600	9722	TAMD31L-A, TAMD31M-A, TAMD31P-A, TAMD31S-A
Oil Cooler: 860633	9727	TAMD41H-A
Oil Cooler: 861600	9729	TAMD41H-A, TAMD41H-B
Oil Cooler: 861600	9728	TAMD41P-A, TAMD41L-A, TAMD41M-A
Oil Cooler: 860635	9726	TAMD41P-A, TAMD41L-A, TAMD41M-A
Oil Cooler: 861600	1738	TMD31L-A
Oil Cooler: 860633	1713	TMD31L-A
Oil Cooler: 860635	1715	TMD41L-A
Oil Cooler: 861601	4894	TMD41L-A
Heat Exchanger: A	1698	AD31L-A, AD31P-A, TAMD31L-A, TAMD31M-A, TAMD31P-A, TAMD31S-A, TMD31L-A
Heat Exchanger: B	1698B	AD31L-A, AD31P-A, TAMD31L-A, TAMD31M-A, TAMD31P-A, TAMD31S-A, TMD31L-A
Heat Exchanger: C	1698C	AD31L-A, AD31P-A, TAMD31L-A, TAMD31M-A, TAMD31P-A, TAMD31S-A, TMD31L-A
Heat Exchanger: A	1699	AD41L-A, AD41P-A, D41L-A, TAMD41H-A, TAMD41H-B, TAMD41P-A, TAMD41L-A, TAMD41M-A, TMD41L-A
Heat Exchanger: B	1699B	AD41L-A, AD41P-A, D41L-A, TAMD41H-A, TAMD41H-B, TAMD41P-A, TAMD41L-A, TAMD41M-A, TMD41L-A
Heat Exchanger: C	1699C	AD41L-A, AD41P-A, D41L-A, TAMD41H-A, TAMD41H-B, TAMD41P-A, TAMD41L-A, TAMD41M-A, TMD41L-A
Water Pump	1701	AD31L-A, AD31P-A, TAMD31L-A, TAMD31M-A, TAMD31P-A, TAMD31S-A, TMD31L-A
Water Pump for Sea Water Cooled Version	1702	AD41L-A, AD41P-A, D41L-A, TAMD41H-A, TAMD41H-B, TAMD41P-A, TAMD41L-A, TAMD41M-A, TMD41L-A
Water Pump and Expansion Tank for Keel Cooling	1703	TAMD41H-A, TAMD41H-B
Thermostat Housing	1704	AD31L-A, AD31P-A, TAMD31L-A, TAMD31M-A, TAMD31P-A, TAMD31S-A, TMD31L-A
Thermostat Housing	1705	AD41L-A, AD41P-A, D41L-A, TMD41L-A
Thermostat Housing	9826	TAMD41H-A, TAMD41H-B, TAMD41P-A, TAMD41L-A, TAMD41M-A
Aftercooler	1706	AD31L-A, TAMD31L-A, TAMD31M-A, TAMD31S-A
Aftercooler	9829	AD31P-A, TAMD31P-A
Aftercooler	9830	AD41L-A, AD41P-A
Aftercooler	1707	TAMD41H-A, TAMD41H-B, TAMD41P-A, TAMD41L-A, TAMD41M-A
Sea Water Pump and Sea Water Filter	1720	AD31L-A, AD31P-A
Sea Water Pump	9822	AD31L-A, AD31P-A
Sea Water Pump	1712	TAMD31L-A, TAMD31M-A, TAMD31P-A, TAMD31S-A, TMD31L-A
Sea Water Pump	9823	AD41L-A, AD41P-A, D41L-A
Sea Water Pump and Sea Water Filter	1734	AD41L-A, AD41P-A, D41L-A
Sea Water Pump	1708	TAMD41H-A, TAMD41H-B, TAMD41P-A, TAMD41L-A, TAMD41M-A, TMD41L-A
Sea Water Pump, Components: 860629	3399	AD31L-A, AD31P-A, AD41L-A, AD41P-A, D41L-A, TAMD31L-A, TAMD31M-A, TAMD31P-A, TAMD31S-A, TAMD41H-A, TAMD41H-B, TAMD41P-A, TAMD41L-A, TAMD41M-A
Sea Water Pump, Components	6012	AD31L-A, AD31P-A, AD41L-A, AD41P-A, D41L-A, TAMD31L-A, TAMD31M-A, TAMD31P-A, TAMD31S-A, TAMD41H-A, TAMD41H-B, TAMD41P-A, TAMD41L-A, TAMD41M-A, TMD31L-A, TMD41L-A

DESCRIPTION	SEE SEC.	NOTES
Sea Water Pump, Components: 3581559	6013	TAMD31L-A, TAMD31M-A, TAMD31P-A, TAMD31S-A, TAMD41H-A, TAMD41H-B, TAMD41P-A, TAMD41L-A, TAMD41M-A, TMD31L-A, TMD41L-A
Sea Water Pump, Components: 861168	2768	TAMD41H-A, TAMD41H-B, TAMD41P-A, TAMD41L-A, TAMD41M-A, TMD41L-A
Expansion Tank: 861623	4913	AD31L-A, AD31P-A, AD41L-A, AD41P-A, D41L-A, TAMD31L-A, TAMD31M-A, TAMD31P-A, TAMD31S-A, TAMD41H-A, TAMD41H-B, TAMD41P-A, TAMD41L-A, TAMD41M-A, TMD31L-A, TMD41L-A
Expansion Tank: 3581297	4913B	AD31L-A, AD31P-A, AD41L-A, AD41P-A, D41L-A, TAMD31L-A, TAMD31M-A, TAMD31P-A, TAMD31S-A, TAMD41H-A, TAMD41H-B, TAMD41P-A, TAMD41L-A, TAMD41M-A, TMD31L-A, TMD41L-A
Hot Water Outlet	4912	AD31L-A, AD31P-A, AD41L-A, AD41P-A, D41L-A, TAMD31L-A, TAMD31M-A, TAMD31P-A, TAMD31S-A, TAMD41H-A, TAMD41H-B, TAMD41P-A, TAMD41L-A, TAMD41M-A, TMD31L-A, TMD41L-A
Vacuum Valve	655	AD31L-A, AD31P-A, AD41L-A, AD41P-A, D41L-A, TAMD31L-A, TAMD31M-A, TAMD31P-A, TAMD31S-A, TAMD41H-A, TAMD41H-B, TAMD41P-A, TAMD41L-A, TAMD41M-A, TMD31L-A, TMD41L-A
Sea Water Filter and Water Intake	657	AD31L-A, AD31P-A, AD41L-A, AD41P-A, D41L-A, TAMD31L-A, TAMD31M-A, TAMD31P-A, TAMD31S-A, TAMD41H-A, TAMD41H-B, TAMD41P-A, TAMD41L-A, TAMD41M-A, TMD31L-A, TMD41L-A
Sea Water Filter	355	AD31L-A, AD31P-A, AD41L-A, AD41P-A, D41L-A, TAMD31L-A, TAMD31M-A, TAMD31P-A, TAMD31S-A, TAMD41H-A, TAMD41H-B, TAMD41P-A, TAMD41L-A, TAMD41M-A, TMD31L-A, TMD41L-A
Cooling Water Intake for Engine with SX Drive	2828	AD31L-A, AD31P-A
Vacuum Valve and Sea Water Filter	3356	TAMD31L-A, TAMD31M-A, TAMD31P-A, TAMD41H-A, TAMD41P-A, TAMD41L-A, TAMD41M-A, TMD31L-A, TMD41L-A

DESCRIPTION	SEE SEC.	NOTES
Control Connection, Speed and Stop Control	1744	AD31L-A, AD31P-A, TAMD31L-A, TAMD31M-A, TAMD31P-A, TAMD31S-A, TMD31L-A
Control Connection, Speed and Stop Control	1745	AD41L-A, AD41P-A, D41L-A, TAMD41H-A, TAMD41P-A, TAMD41L-A, TAMD41M-A, TMD41L-A
Control for Side Installation, PC740: PC740	383	AD31L-A, AD31P-A, AD41L-A, AD41P-A, D41L-A, TAMD31L-A, TAMD31M-A, TAMD31P-A, TAMD31S-A, TAMD41H-A, TAMD41H-B, TAMD41P-A, TAMD41L-A, TAMD41M-A, TMD31L-A, TMD41L-A
Control for Side Installation, PC740: PC740, SAILING BOAT	383B	AD31L-A, AD31P-A, AD41L-A, AD41P-A, D41L-A, TAMD31L-A, TAMD31M-A, TAMD31P-A, TAMD31S-A, TAMD41H-A, TAMD41H-B, TAMD41P-A, TAMD41L-A, TAMD41M-A, TMD31L-A, TMD41L-A
Control for Side Installation, PC840	384	AD31L-A, AD31P-A, AD41L-A, AD41P-A, D41L-A, TAMD31L-A, TAMD31M-A, TAMD31P-A, TAMD31S-A, TAMD41H-A, TAMD41H-B, TAMD41P-A, TAMD41L-A, TAMD41M-A, TMD31L-A, TMD41L-A
Control for Side Instalación, PC741, PC841: PC741	5058	AD31L-A, AD31P-A, AD41L-A, AD41P-A, D41L-A, TAMD31L-A, TAMD31M-A, TAMD31P-A, TAMD31S-A, TAMD41H-A, TAMD41H-B, TAMD41P-A, TAMD41L-A, TAMD41M-A, TMD31L-A, TMD41L-A
Control for Side Instalación, PC741, PC841: PC841	5058B	AD31L-A, AD31P-A, AD41L-A, AD41P-A, D41L-A, TAMD31L-A, TAMD31M-A, TAMD31P-A, TAMD31S-A, TAMD41H-A, TAMD41H-B, TAMD41P-A, TAMD41L-A, TAMD41M-A, TMD31L-A, TMD41L-A
Control for top Installation, PC740: SINGLE	264	AD31L-A, AD31P-A, AD41L-A, AD41P-A, D41L-A, TAMD31L-A, TAMD31M-A, TAMD31P-A, TAMD31S-A, TAMD41H-A, TAMD41H-B, TAMD41P-A, TAMD41L-A, TAMD41M-A, TMD31L-A, TMD41L-A
Control for top Installation, PC740: TWIN	264B	AD31L-A, AD31P-A, AD41L-A, AD41P-A, D41L-A, TAMD31L-A, TAMD31M-A, TAMD31P-A, TAMD31S-A, TAMD41H-A, TAMD41H-B, TAMD41P-A, TAMD41L-A, TAMD41M-A, TMD31L-A, TMD41L-A
Control for top Installation, PC840: 853168	265	AD31L-A, AD31P-A, AD41L-A, AD41P-A, D41L-A, TAMD31L-A, TAMD31M-A, TAMD31P-A, TAMD31S-A, TAMD41H-A, TAMD41H-B, TAMD41P-A, TAMD41L-A, TAMD41M-A, TMD31L-A, TMD41L-A
Control for top Installation, PC840: 853169	265B	AD31L-A, AD31P-A, AD41L-A, AD41P-A, D41L-A, TAMD31L-A, TAMD31M-A, TAMD31P-A, TAMD31S-A, TAMD41H-A, TAMD41H-B, TAMD41P-A, TAMD41L-A, TAMD41M-A, TMD31L-A, TMD41L-A
Control for top Installation, PC740 Sail Boat	267	AD31L-A, AD31P-A, AD41L-A, AD41P-A, D41L-A, TAMD31L-A, TAMD31M-A, TAMD31P-A, TAMD31S-A, TAMD41H-A, TAMD41H-B, TAMD41P-A, TAMD41L-A, TAMD41M-A, TMD31L-A, TMD41L-A
Control for top Installation, PC740: SINGLE	4927	AD31L-A, AD31P-A, AD41L-A, AD41P-A, D41L-A, TAMD31L-A, TAMD31M-A, TAMD31P-A, TAMD31S-A, TAMD41H-A, TAMD41H-B, TAMD41P-A, TAMD41L-A, TAMD41M-A, TMD31L-A, TMD41L-A
Control for top Installation, PC740: TWIN	4927B	AD31L-A, AD31P-A, AD41L-A, AD41P-A, D41L-A, TAMD31L-A, TAMD31M-A, TAMD31P-A, TAMD31S-A, TAMD41H-A, TAMD41H-B, TAMD41P-A, TAMD41L-A, TAMD41M-A, TMD31L-A, TMD41L-A
Control for top Installation, PC840 Power Trim	4934	AD31L-A, AD31P-A, AD41L-A, AD41P-A, D41L-A, TAMD31L-A, TAMD31M-A, TAMD31P-A, TAMD31S-A, TAMD41H-A, TAMD41H-B, TAMD41P-A, TAMD41L-A, TAMD41M-A, TMD31L-A, TMD41L-A
Handle for Control	266	AD31L-A, AD31P-A, AD41L-A, AD41P-A, D41L-A, TAMD31L-A, TAMD31M-A, TAMD31P-A, TAMD31S-A, TAMD41H-A, TAMD41H-B, TAMD41P-A, TAMD41L-A, TAMD41M-A, TMD31L-A, TMD41L-A

DESCRIPTION	SEE SEC.	NOTES
Handle for Control with Power Trim: Top Installation	703	AD31L-A, AD31P-A, AD41L-A, AD41P-A, D41L-A, TAMD31L-A, TAMD31M-A, TAMD31P-A, TAMD31S-A, TAMD41H-A, TAMD41H-B, TAMD41P-A, TAMD41L-A, TAMD41M-A, TMD31L-A, TMD41L-A
Handle for Control with Power Trim: Side Installation	703B	AD31L-A, AD31P-A, AD41L-A, AD41P-A, D41L-A, TAMD31L-A, TAMD31M-A, TAMD31P-A, TAMD31S-A, TAMD41H-A, TAMD41H-B, TAMD41P-A, TAMD41L-A, TAMD41M-A, TMD31L-A, TMD41L-A
Control Cables	36542	AD31L-A, AD31P-A, AD41L-A, AD41P-A, D41L-A, TAMD31L-A, TAMD31M-A, TAMD31P-A, TAMD31S-A, TAMD41H-A, TAMD41H-B, TAMD41P-A, TAMD41L-A, TAMD41M-A, TMD31L-A, TMD41L-A
Control Cables, Type 233, 333, 443: Type 233	231	AD31L-A, AD31P-A, AD41L-A, AD41P-A, D41L-A, TAMD31L-A, TAMD31M-A, TAMD31P-A, TAMD31S-A, TAMD41H-A, TAMD41H-B, TAMD41P-A, TAMD41L-A, TAMD41M-A, TMD31L-A, TMD41L-A
Control Cables, Type 233, 333, 443: Type 333	231B	AD31L-A, AD31P-A, AD41L-A, AD41P-A, D41L-A, TAMD31L-A, TAMD31M-A, TAMD31P-A, TAMD31S-A, TAMD41H-A, TAMD41H-B, TAMD41P-A, TAMD41L-A, TAMD41M-A, TMD31L-A, TMD41L-A
Control Cables, Type 233, 333, 443: Type 443	231C	AD31L-A, AD31P-A, AD41L-A, AD41P-A, D41L-A, TAMD31L-A, TAMD31M-A, TAMD31P-A, TAMD31S-A, TAMD41H-A, TAMD41H-B, TAMD41P-A, TAMD41L-A, TAMD41M-A, TMD31L-A, TMD41L-A
Dual Station Unit	277	AD31L-A, AD31P-A, AD41L-A, AD41P-A, D41L-A, TAMD31L-A, TAMD31M-A, TAMD31P-A, TAMD31S-A, TAMD41H-A, TAMD41H-B, TAMD41P-A, TAMD41L-A, TAMD41M-A, TMD31L-A, TMD41L-A

DESCRIPTION	SEE SEC.	NOTES
Alternator	1752	AD31L-A, AD31P-A, AD41L-A, AD41P-A, D41L-A, TAMD31L-A, TAMD31M-A, TAMD31P-A, TAMD31S-A, TAMD41H-A, TAMD41H-B, TAMD41P-A, TAMD41L-A, TAMD41M-A, TMD31L-A, TMD41L-A
Extra Alternator, 12V	9816	AD31L-A, AD31P-A, AD41L-A, AD41P-A, D41L-A, TAMD31L-A, TAMD31M-A, TAMD31P-A, TAMD31S-A, TAMD41H-A, TAMD41H-B, TAMD41P-A, TAMD41L-A, TAMD41M-A, TMD31L-A, TMD41L-A
Extra Alternator, 24V	9817	AD31L-A, AD31P-A, AD41L-A, AD41P-A, D41L-A, TAMD31L-A, TAMD31M-A, TAMD31P-A, TAMD31S-A, TAMD41H-A, TAMD41H-B, TAMD41P-A, TAMD41L-A, TAMD41M-A, TMD31L-A, TMD41L-A
Extra Alternator, 24V	9819	AD31L-A, AD31P-A, AD41L-A, AD41P-A, D41L-A, TAMD31L-A, TAMD31M-A, TAMD31P-A, TAMD31S-A, TAMD41H-A, TAMD41H-B, TAMD41P-A, TAMD41L-A, TAMD41M-A, TMD31L-A, TMD41L-A
Alternator 14V 50A, Components	1029	AD31L-A, AD31P-A, AD41L-A, AD41P-A, D41L-A, TAMD31L-A, TAMD31M-A, TAMD31P-A, TAMD31S-A, TAMD41H-A, TAMD41H-B, TAMD41P-A, TAMD41L-A, TAMD41M-A, TMD31L-A, TMD41L-A
Alternator 14V 60A, Components	448	AD31L-A, AD31P-A, AD41L-A, AD41P-A, D41L-A, TAMD31L-A, TAMD31M-A, TAMD31P-A, TAMD31S-A, TAMD41H-A, TAMD41H-B, TAMD41P-A, TAMD41L-A, TAMD41M-A, TMD31L-A, TMD41L-A
Alternator 14V 60A, Components: 872235	4914	AD31L-A, AD31P-A, AD41L-A, AD41P-A, D41L-A, TAMD31L-A, TAMD31M-A, TAMD31P-A, TAMD31S-A, TAMD41H-A, TAMD41H-B, TAMD41P-A, TAMD41L-A, TAMD41M-A, TMD31L-A, TMD41L-A
Alternator 14V 130A, Components	594	AD31L-A, AD31P-A, AD41L-A, AD41P-A, D41L-A, TAMD31L-A, TAMD31M-A, TAMD31P-A, TAMD31S-A, TAMD41H-A, TAMD41H-B, TAMD41P-A, TAMD41L-A, TAMD41M-A, TMD31L-A, TMD41L-A
Alternator 28V 30A, Components: 849602	1733	AD31L-A, AD31P-A, AD41L-A, AD41P-A, D41L-A, TAMD31L-A, TAMD31M-A, TAMD31P-A, TAMD31S-A, TAMD41H-A, TAMD41H-B, TAMD41P-A, TAMD41L-A, TAMD41M-A, TMD31L-A, TMD41L-A
Alternator 28V 60A, Components: 872927	4942	AD31L-A, AD31P-A, AD41L-A, AD41P-A, D41L-A, TAMD31L-A, TAMD31M-A, TAMD31P-A, TAMD31S-A, TAMD41H-A, TAMD41H-B, TAMD41P-A, TAMD41L-A, TAMD41M-A, TMD31L-A, TMD41L-A
Alternator 28V 60A, Components: 872021	3838	AD31L-A, AD31P-A, AD41L-A, AD41P-A, D41L-A, TAMD31L-A, TAMD31M-A, TAMD31P-A, TAMD31S-A, TAMD41H-A, TAMD41H-B, TAMD41P-A, TAMD41L-A, TAMD41M-A, TMD31L-A, TMD41L-A
Alternator 28V 60A, Components: 873757	3838B	AD31L-A, AD31P-A, AD41L-A, AD41P-A, D41L-A, TAMD31L-A, TAMD31M-A, TAMD31P-A, TAMD31S-A, TAMD41H-A, TAMD41H-B, TAMD41P-A, TAMD41L-A, TAMD41M-A, TMD31L-A, TMD41L-A
Alternator 28V 60A, Components: 873771	3838C	AD31L-A, AD31P-A, AD41L-A, AD41P-A, D41L-A, TAMD31L-A, TAMD31M-A, TAMD31P-A, TAMD31S-A, TAMD41H-A, TAMD41H-B, TAMD41P-A, TAMD41L-A, TAMD41M-A, TMD31L-A, TMD41L-A
Alternator 28V 100A, Components	596	AD31L-A, AD31P-A, AD41L-A, AD41P-A, D41L-A, TAMD31L-A, TAMD31M-A, TAMD31P-A, TAMD31S-A, TAMD41H-A, TAMD41H-B, TAMD41P-A, TAMD41L-A, TAMD41M-A, TMD31L-A, TMD41L-A
Charging Distributor	258	AD31L-A, AD31P-A, AD41L-A, AD41P-A, D41L-A, TAMD31L-A, TAMD31M-A, TAMD31P-A, TAMD31S-A, TAMD41H-A, TAMD41H-B, TAMD41P-A, TAMD41L-A, TAMD41M-A, TMD31L-A, TMD41L-A
Charging Distributor: 858841	365	AD31L-A, AD31P-A, AD41L-A, AD41P-A, D41L-A, TAMD31L-A, TAMD31M-A, TAMD31P-A, TAMD31S-A, TAMD41H-A, TAMD41H-B, TAMD41P-A, TAMD41L-A, TAMD41M-A, TMD31L-A, TMD41L-A
Charging Distributor: 859499	365B	AD31L-A, AD31P-A, AD41L-A, AD41P-A, D41L-A, TAMD31L-A, TAMD31M-A, TAMD31P-A, TAMD31S-A, TAMD41H-A, TAMD41H-B, TAMD41P-A, TAMD41L-A, TAMD41M-A, TMD31L-A, TMD41L-A
Charging Distributor: 873120	365C	AD31L-A, AD31P-A, AD41L-A, AD41P-A, D41L-A, TAMD31L-A, TAMD31M-A, TAMD31P-A, TAMD31S-A, TAMD41H-A, TAMD41H-B, TAMD41P-A, TAMD41L-A, TAMD41M-A, TMD31L-A, TMD41L-A
Starter Motor	1877	AD31L-A, AD31P-A
Starter Motor	1876	AD41L-A, AD41P-A, D41L-A

DESCRIPTION	SEE SEC.	NOTES
Starter Motor	966	TAMD31L-A, TAMD31M-A, TAMD31P-A, TAMD31S-A, TAMD41H-A, TAMD41H-B, TAMD41P-A, TAMD41L-A, TAMD41M-A, TMD31L-A, TMD41L-A
Starter Motor, Components: 838987	968	AD31L-A, AD31P-A, AD41L-A, AD41P-A, D41L-A, TAMD31L-A, TAMD31M-A, TAMD31P-A, TAMD31S-A, TAMD41H-A, TAMD41H-B, TAMD41P-A, TAMD41L-A, TAMD41M-A, TMD31L-A, TMD41L-A
Starter Motor, Components: 859252	583	AD31L-A, AD31P-A, AD41L-A, AD41P-A, D41L-A, TAMD31L-A, TAMD31M-A, TAMD31P-A, TAMD31S-A, TAMD41H-A, TAMD41H-B, TAMD41P-A, TAMD41L-A, TAMD41M-A, TMD31L-A, TMD41L-A
Starter Motor, Components: 3581774	4930	AD31L-A, AD31P-A, AD41L-A, AD41P-A, D41L-A, TAMD31L-A, TAMD31M-A, TAMD31P-A, TAMD31S-A, TAMD41H-A, TAMD41H-B, TAMD41P-A, TAMD41L-A, TAMD41M-A, TMD31L-A, TMD41L-A
Electrical System	1746	AD31L-A, AD31P-A, TAMD31L-A, TAMD31M-A, TAMD31P-A, TAMD31S-A, TMD31L-A
Electrical System	9850	AD41L-A, AD41P-A, D41L-A
Electrical System	1749	TAMD41H-A, TAMD41H-B, TAMD41P-A, TAMD41L-A, TAMD41M-A, TMD41L-A
Instrument Panel for Dual Station, 12V	801	AD31L-A, AD31P-A, AD41L-A, AD41P-A, D41L-A, TAMD31L-A, TAMD31M-A, TAMD31P-A, TAMD31S-A, TAMD41H-A, TAMD41H-B, TAMD41P-A, TAMD41L-A, TAMD41M-A, TMD31L-A, TMD41L-A
Instrument Panel 24V	795	AD31L-A, AD31P-A, AD41L-A, AD41P-A, D41L-A, TAMD31L-A, TAMD31M-A, TAMD31P-A, TAMD31S-A, TAMD41H-A, TAMD41H-B, TAMD41P-A, TAMD41L-A, TAMD41M-A, TMD31L-A, TMD41L-A
Instrument Panel 12V	792	AD31L-A, AD31P-A, AD41L-A, AD41P-A, D41L-A, TAMD31L-A, TAMD31M-A, TAMD31P-A, TAMD31S-A, TAMD41H-A, TAMD41H-B, TAMD41P-A, TAMD41L-A, TAMD41M-A, TMD31L-A, TMD41L-A
Instruments for Separate Mounting	799	AD31L-A, AD31P-A, AD41L-A, AD41P-A, D41L-A, TAMD31L-A, TAMD31M-A, TAMD31P-A, TAMD31S-A, TAMD41H-A, TAMD41H-B, TAMD41P-A, TAMD41L-A, TAMD41M-A, TMD31L-A, TMD41L-A
Speedometer Kit, High Speed	663	AD31L-A, AD31P-A, AD41L-A, AD41P-A, D41L-A, TAMD31L-A, TAMD31M-A, TAMD31P-A, TAMD31S-A, TAMD41H-A, TAMD41H-B, TAMD41P-A, TAMD41L-A, TAMD41M-A, TMD31L-A, TMD41L-A
Electronic Speed and Distance Log Kit	664	AD31L-A, AD31P-A, AD41L-A, AD41P-A, D41L-A, TAMD31L-A, TAMD31M-A, TAMD31P-A, TAMD31S-A, TAMD41H-A, TAMD41H-B, TAMD41P-A, TAMD41L-A, TAMD41M-A, TMD31L-A, TMD41L-A
Rudder Indicator Kit, 290 Drive	667	AD31L-A, AD31P-A, AD41L-A, AD41P-A, D41L-A, TAMD31L-A, TAMD31M-A, TAMD31P-A, TAMD31S-A, TAMD41H-A, TAMD41H-B, TAMD41P-A, TAMD41L-A, TAMD41M-A, TMD31L-A, TMD41L-A
Air Pressure Gauge	668	AD31L-A, AD31P-A, AD41L-A, AD41P-A, D41L-A, TAMD31L-A, TAMD31M-A, TAMD31P-A, TAMD31S-A, TAMD41H-A, TAMD41H-B, TAMD41P-A, TAMD41L-A, TAMD41M-A, TMD31L-A, TMD41L-A
Extra Instrument Panel, Hour Meter and Volt Meter	278	AD31L-A, AD31P-A, AD41L-A, AD41P-A, D41L-A, TAMD31L-A, TAMD31M-A, TAMD31P-A, TAMD31S-A, TAMD41H-A, TAMD41H-B, TAMD41P-A, TAMD41L-A, TAMD41M-A, TMD31L-A, TMD41L-A
Instr. Panel for Twin Engine Install. Mirror-Invert	366	AD31L-A, AD31P-A, AD41L-A, AD41P-A, D41L-A, TAMD31L-A, TAMD31M-A, TAMD31P-A, TAMD31S-A, TAMD41H-A, TAMD41H-B, TAMD41P-A, TAMD41L-A, TAMD41M-A, TMD31L-A, TMD41L-A
Rudder Indicator Kit for Reverse Gear	252	AD31L-A, AD31P-A, AD41L-A, AD41P-A, D41L-A, TAMD31L-A, TAMD31M-A, TAMD31P-A, TAMD31S-A, TAMD41H-A, TAMD41H-B, TAMD41P-A, TAMD41L-A, TAMD41M-A, TMD31L-A, TMD41L-A
Clock Kit	253	AD31L-A, AD31P-A, AD41L-A, AD41P-A, D41L-A, TAMD31L-A, TAMD31M-A, TAMD31P-A, TAMD31S-A, TAMD41H-A, TAMD41H-B, TAMD41P-A, TAMD41L-A, TAMD41M-A, TMD31L-A, TMD41L-A
Tank Meter Kit for Fuel	274	AD31L-A, AD31P-A, AD41L-A, AD41P-A, D41L-A, TAMD31L-A, TAMD31M-A, TAMD31P-A, TAMD31S-A, TAMD41H-A, TAMD41H-B, TAMD41P-A, TAMD41L-A, TAMD41M-A, TMD31L-A, TMD41L-A
Tank Meter Kit for Fuel	9537	AD31L-A, AD31P-A, AD41L-A, AD41P-A, D41L-A, TAMD31L-A, TAMD31M-A, TAMD31P-A, TAMD31S-A, TAMD41H-A, TAMD41H-B, TAMD41P-A, TAMD41L-A, TAMD41M-A, TMD31L-A, TMD41L-A

DESCRIPTION	SEE SEC.	NOTES
Tank Meter Kit for Fresh Water	35681	AD31L-A, AD31P-A, AD41L-A, AD41P-A, D41L-A, TAMD31L-A, TAMD31M-A, TAMD31P-A, TAMD31S-A, TAMD41H-A, TAMD41H-B, TAMD41P-A, TAMD41L-A, TAMD41M-A, TMD31L-A, TMD41L-A
Oil Level Guard, 12V	1388	AD31L-A, AD31P-A, AD41L-A, AD41P-A, D41L-A, TAMD31L-A, TAMD31M-A, TAMD31P-A, TAMD31S-A, TAMD41H-A, TAMD41H-B, TAMD41P-A, TAMD41L-A, TAMD41M-A, TMD31L-A, TMD41L-A
Oil Level Guard, 24V	9815	AD31L-A, AD31P-A, AD41L-A, AD41P-A, D41L-A, TAMD31L-A, TAMD31M-A, TAMD31P-A, TAMD31S-A, TAMD41H-A, TAMD41H-B, TAMD41P-A, TAMD41L-A, TAMD41M-A, TMD31L-A, TMD41L-A
Main Battery Switch	260	AD31L-A, AD31P-A, AD41L-A, AD41P-A, D41L-A, TAMD31L-A, TAMD31M-A, TAMD31P-A, TAMD31S-A, TAMD41H-A, TAMD41H-B, TAMD41P-A, TAMD41L-A, TAMD41M-A, TMD31L-A, TMD41L-A
Emergency Stop Contact	367	AD31L-A, AD31P-A, AD41L-A, AD41P-A, D41L-A, TAMD31L-A, TAMD31M-A, TAMD31P-A, TAMD31S-A, TAMD41H-A, TAMD41H-B, TAMD41P-A, TAMD41L-A, TAMD41M-A, TMD31L-A, TMD41L-A
Electrical Materials	1963	AD31L-A, AD31P-A, AD41L-A, AD41P-A, D41L-A, TAMD31L-A, TAMD31M-A, TAMD31P-A, TAMD31S-A, TAMD41H-A, TAMD41H-B, TAMD41P-A, TAMD41L-A, TAMD41M-A, TMD31L-A, TMD41L-A
Electrical Materials	1964	AD31L-A, AD31P-A, AD41L-A, AD41P-A, D41L-A, TAMD31L-A, TAMD31M-A, TAMD31P-A, TAMD31S-A, TAMD41H-A, TAMD41H-B, TAMD41P-A, TAMD41L-A, TAMD41M-A, TMD31L-A, TMD41L-A
Electrical Materials	1965	AD31L-A, AD31P-A, AD41L-A, AD41P-A, D41L-A, TAMD31L-A, TAMD31M-A, TAMD31P-A, TAMD31S-A, TAMD41H-A, TAMD41H-B, TAMD41P-A, TAMD41L-A, TAMD41M-A, TMD31L-A, TMD41L-A



DESCRIPTION	SEE SEC.	NOTES
Connecting Components for SX Drive Unit	729	AD31L-A, AD31P-A
Exhaust and Cooling Water Inlet	1886	
Hydraulic Pump and Trim Instrument	595	
Flywheel Housing and Primary Shaft	1767	
Hydraulic Cylinders and Ground Cable Kit	592	
Transom Shield	589	
Duoprop Drive Unit Ratio 1.78:1	611	
Upper Gear Unit: A	612	
Upper Gear Unit: B	612B	
Intermediate Housing	614	
Lower Gear Unit	616	
Duoprop Drive Unit Ratio 1.95:1	1762	
Duoprop Drive Unit Ratio 2.30:1	1763	
Lower Gear Unit	1764	
Lower Gear Unit	1765	
Propeller for Duoprop Drives: A-PROPELLERS	676	AD31L-A, AD31P-A, AD41L-A, AD41P-A, D41L-A, TAMD31L-A, TAMD31M-A, TAMD31P-A, TAMD31S-A, TAMD41H-A, TAMD41H-B, TAMD41P-A, TAMD41L-A, TAMD41M-A, TMD31L-A, TMD41L-A
Propeller for Duoprop Drives: B-PROPELLERS	676B	AD31L-A, AD31P-A, AD41L-A, AD41P-A, D41L-A, TAMD31L-A, TAMD31M-A, TAMD31P-A, TAMD31S-A, TAMD41H-A, TAMD41H-B, TAMD41P-A, TAMD41L-A, TAMD41M-A, TMD31L-A, TMD41L-A
Propeller for Duoprop Drives: C-, E-PROPELLERS	676C	AD31L-A, AD31P-A, AD41L-A, AD41P-A, D41L-A, TAMD31L-A, TAMD31M-A, TAMD31P-A, TAMD31S-A, TAMD41H-A, TAMD41H-B, TAMD41P-A, TAMD41L-A, TAMD41M-A, TMD31L-A, TMD41L-A
Propeller Cone Kit, M20	681	AD31L-A, AD31P-A, AD41L-A, AD41P-A, D41L-A, TAMD31L-A, TAMD31M-A, TAMD31P-A, TAMD31S-A, TAMD41H-A, TAMD41H-B, TAMD41P-A, TAMD41L-A, TAMD41M-A, TMD31L-A, TMD41L-A
Drive Extension, 1" (25.4mm) DP: 1" (25.4mm) DP	9810	AD31L-A, AD31P-A, AD41L-A, AD41P-A, D41L-A, TAMD31L-A, TAMD31M-A, TAMD31P-A, TAMD31S-A, TAMD41H-A, TAMD41H-B, TAMD41P-A, TAMD41L-A, TAMD41M-A, TMD31L-A, TMD41L-A
Drive Extension, 4" (101.6mm) DP: 4" (101.6mm) DP	9811	AD31L-A, AD31P-A, AD41L-A, AD41P-A, D41L-A, TAMD31L-A, TAMD31M-A, TAMD31P-A, TAMD31S-A, TAMD41H-A, TAMD41H-B, TAMD41P-A, TAMD41L-A, TAMD41M-A, TMD31L-A, TMD41L-A
Drive Extension, 1" (25.4MM) DPX: 1" (25.4MM) DPX	9812	AD31L-A, AD31P-A, AD41L-A, AD41P-A, D41L-A, TAMD31L-A, TAMD31M-A, TAMD31P-A, TAMD31S-A, TAMD41H-A, TAMD41H-B, TAMD41P-A, TAMD41L-A, TAMD41M-A, TMD31L-A, TMD41L-A
Jack Shaft Kit	1758	AD31L-A, AD31P-A, AD41L-A, AD41P-A, D41L-A
Connecting Components for Borg Warner	1757	AD31L-A, AD31P-A, AD41L-A, AD41P-A, D41L-A, TAMD31L-A, TAMD31M-A, TAMD31P-A, TAMD31S-A, TAMD41H-A, TAMD41H-B, TAMD41P-A, TAMD41L-A, TAMD41M-A, TMD31L-A, TMD41L-A
Connecting Components for HS1A	1754	TAMD31L-A, TAMD31M-A, TAMD31P-A, TMD31L-A
Connecting Components for PRM 402	1756	TAMD31M-A, TAMD41H-A, TAMD41H-B, TAMD41M-A
Connecting Components for HS1A	1755	TAMD41H-A, TAMD41H-B, TAMD41P-A, TAMD41M-A, TMD41L-A
Connecting Components for HS63A	3083	TAMD41H-A, TAMD41P-A, TAMD41L-A, TAMD41M-A, TMD41L-A
Connecting Components for HS63V	3732	TAMD41H-A, TAMD41P-A, TAMD41L-A, TAMD41M-A, TMD41L-A
Reverse Gear: RATIO 1.96:1	605	
Reverse Gear: RATIO 2.62:1	605B	
Duoprop Propeller, Aluminum, J Series	38149	
Greaser and Stuffing Box	374	AD31L-A, AD31P-A, AD41L-A, AD41P-A, D41L-A, TAMD31L-A, TAMD31M-A, TAMD31P-A, TAMD31S-A, TAMD41H-A, TAMD41H-B, TAMD41P-A, TAMD41L-A, TAMD41M-A, TMD31L-A, TMD41L-A
Greaser and Stuffing Box: D=40mm	673	AD31L-A, AD31P-A, AD41L-A, AD41P-A, D41L-A, TAMD31L-A, TAMD31M-A, TAMD31P-A, TAMD31S-A, TAMD41H-A, TAMD41H-B, TAMD41P-A, TAMD41L-A, TAMD41M-A, TMD31L-A, TMD41L-A
Greaser and Stuffing Box: D=45mm	673B	AD31L-A, AD31P-A, AD41L-A, AD41P-A, D41L-A, TAMD31L-A, TAMD31M-A, TAMD31P-A, TAMD31S-A, TAMD41H-A, TAMD41H-B, TAMD41P-A, TAMD41L-A, TAMD41M-A, TMD31L-A, TMD41L-A





DESCRIPTION	SEE SEC.	NOTES
Control Unit for Digital/Analog Trim Instrument	665	AD31L-A, AD31P-A, AD41L-A, AD41P-A, D41L-A, TAMD31L-A, TAMD31M-A, TAMD31P-A, TAMD31S-A, TAMD41H-A, TAMD41H-B, TAMD41P-A, TAMD41L-A, TAMD41M-A, TMD31L-A, TMD41L-A

DESCRIPTION	SEE SEC.	NOTES
Tool Kit	387	AD31L-A, AD31P-A, AD41L-A, AD41P-A, D41L-A, TAMD31L-A, TAMD31M-A, TAMD31P-A, TAMD31S-A, TAMD41H-A, TAMD41H-B, TAMD41P-A, TAMD41L-A, TAMD41M-A, TMD31L-A, TMD41L-A
Bilge Pump and Engine Room Fan	392	AD31L-A, AD31P-A, AD41L-A, AD41P-A, D41L-A, TAMD31L-A, TAMD31M-A, TAMD31P-A, TAMD31S-A, TAMD41H-A, TAMD41H-B, TAMD41P-A, TAMD41L-A, TAMD41M-A, TMD31L-A, TMD41L-A
Bilge Pump, 30L - 75l/min	9808	AD31L-A, AD31P-A, AD41L-A, AD41P-A, D41L-A, TAMD31L-A, TAMD31M-A, TAMD31P-A, TAMD31S-A, TAMD41H-A, TAMD41H-B, TAMD41P-A, TAMD41L-A, TAMD41M-A, TMD31L-A, TMD41L-A
Bilge Pump, 130l/min	4936	AD31L-A, AD31P-A, AD41L-A, AD41P-A, D41L-A, TAMD31L-A, TAMD31M-A, TAMD31P-A, TAMD31S-A, TAMD41H-A, TAMD41H-B, TAMD41P-A, TAMD41L-A, TAMD41M-A, TMD31L-A, TMD41L-A
Universal Bracket	9854	AD31L-A, AD31P-A, AD41L-A, AD41P-A, D41L-A, TAMD31L-A, TAMD31M-A, TAMD31P-A, TAMD31S-A, TAMD41H-A, TAMD41H-B, TAMD41P-A, TAMD41L-A, TAMD41M-A, TMD31L-A, TMD41L-A

DESCRIPTION	SEE SEC.	NOTES
Repair Kits	1791	AD31L-A, AD31P-A, TAMD31L-A, TAMD31M-A, TAMD31P-A, TAMD31S-A, TMD31L-A
Repair Kits: A	1792	AD41L-A, AD41P-A, D41L-A, TAMD41H-A, TAMD41H-B, TAMD41P-A, TAMD41L-A, TAMD41M-A, TMD41L-A
Repair Kits: B	1792B	AD41L-A, AD41P-A, D41L-A, TAMD41H-A, TAMD41H-B, TAMD41P-A, TAMD41L-A, TAMD41M-A, TMD41L-A
Repair Kits: C	1792C	AD41L-A, AD41P-A, D41L-A, TAMD41H-A, TAMD41H-B, TAMD41P-A, TAMD41L-A, TAMD41M-A, TMD41L-A
Repair Kits	683	

AD31L-A, AD31P-A, AD41L-A, AD41P-A, D41L-A,  
 TAMD31L-A, TAMD31M-A, TAMD31P-A, TAMD31S-A,  
 TAMD41H-A, TAMD41H-B, TAMD41P-A, TAMD41L

REF	DESCRIPTION	SEE SEC.
21	Engine	21
22	Lubricating System	22
23	Fuel System	23
25	Intake and Exhaust System	25
26	Cooling System	26
27	Controls	27
30	Electrical System	30
44	Transmissions	44
64	Steering System	64
87	QL SOUND ABSORBANTS	87
90	Miscellaneous Equipment	90
99	Repair Kits	99